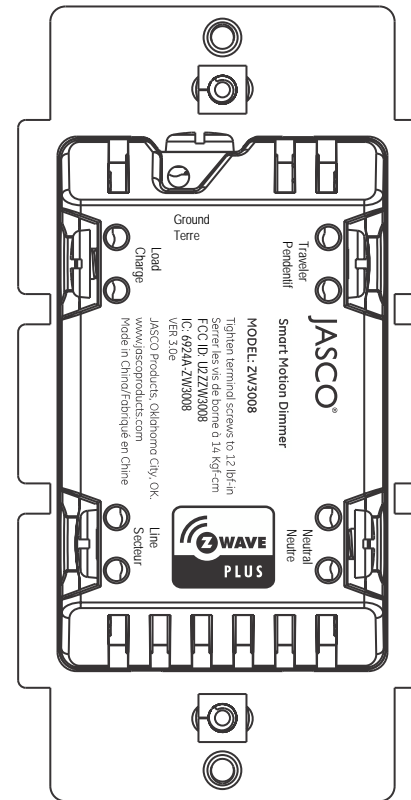
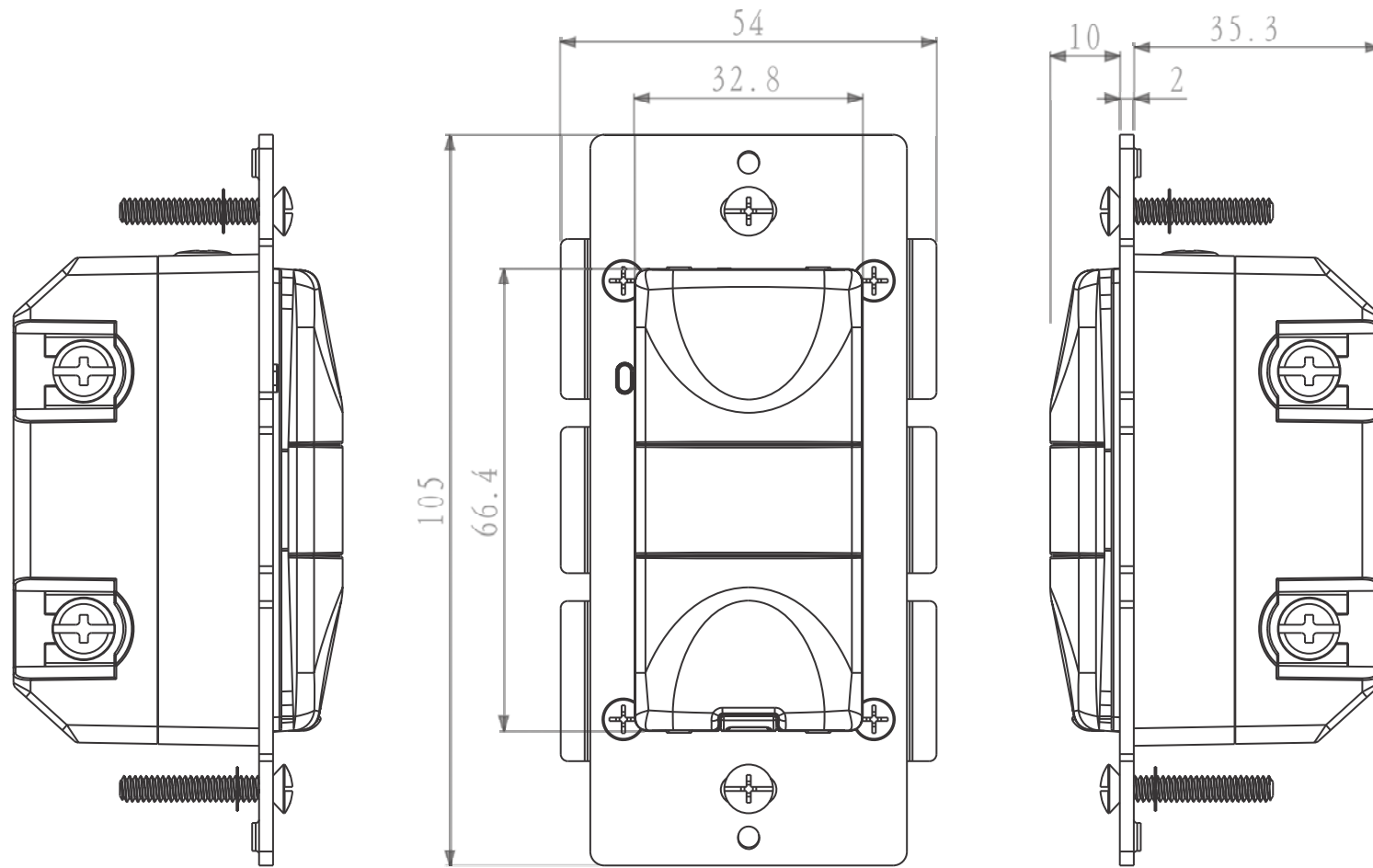
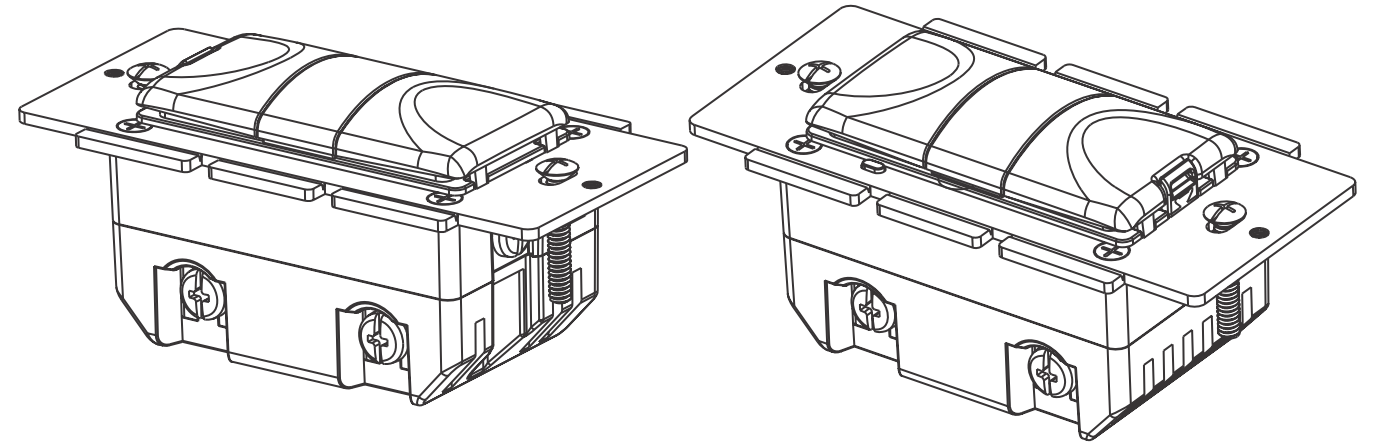
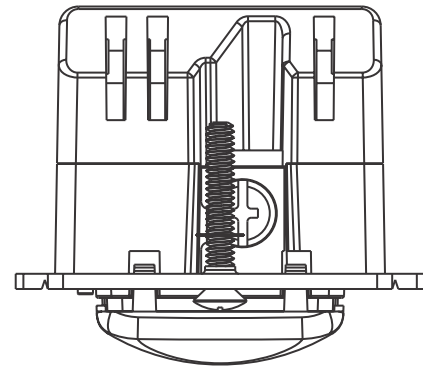
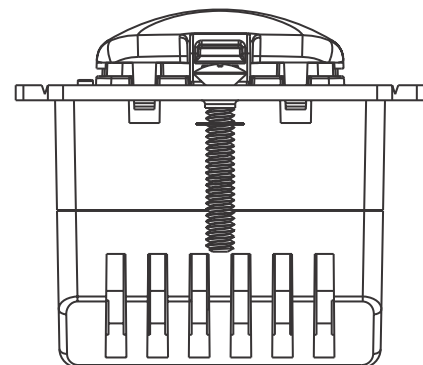


ZONE	REV	DESCRIPTION	DATE	APPROVED
	A			

Pad Printing Specification  
for Jasco Z-Wave Product  
Jasco Model no: ZW3008



Pantone (PMS430C)



If there are any changes on the art and/or dieline please let the designer know.

Job: 26932-1 Enclosure	Designer: Rachel Taylor	Last Modified: 05 / 06 / 2015
<b>SIGN OR PDQ TYPE:</b> <input type="checkbox"/> Label <input type="checkbox"/> Apron Card <input type="checkbox"/> Brochure <input type="checkbox"/> Flip Chart <input type="checkbox"/> Product Marking	<b>PRODUCT MANAGER:</b> Matt Henson Printing Type: <input type="checkbox"/> Flexo <input checked="" type="checkbox"/> Offset <input type="checkbox"/> Roto PMS 430C	<b>VENDOR:</b> CONTACT: SPECIAL NOTES:
PRE Production APPROVED <input type="checkbox"/> QC APPROVED <input type="checkbox"/>		<b>JASCO®</b>