


Job: ZB3001 (45857) -1 Inclosure Art Designer:

Last Modified: 10 / 25 / 2013

SIGN OR PDQ TYPE: <input type="checkbox"/> Label <input type="checkbox"/> Flip Chart <input type="checkbox"/> Apron Card <input type="checkbox"/> Product Marking <input type="checkbox"/> Brochure	PRODUCT MANAGER:	VENDOR:
		CONTACT:
	 PMS 430C	SPECIAL NOTES:
	Printing Type: <input type="checkbox"/> Flexo <input checked="" type="checkbox"/> Offset <input type="checkbox"/> Roto	

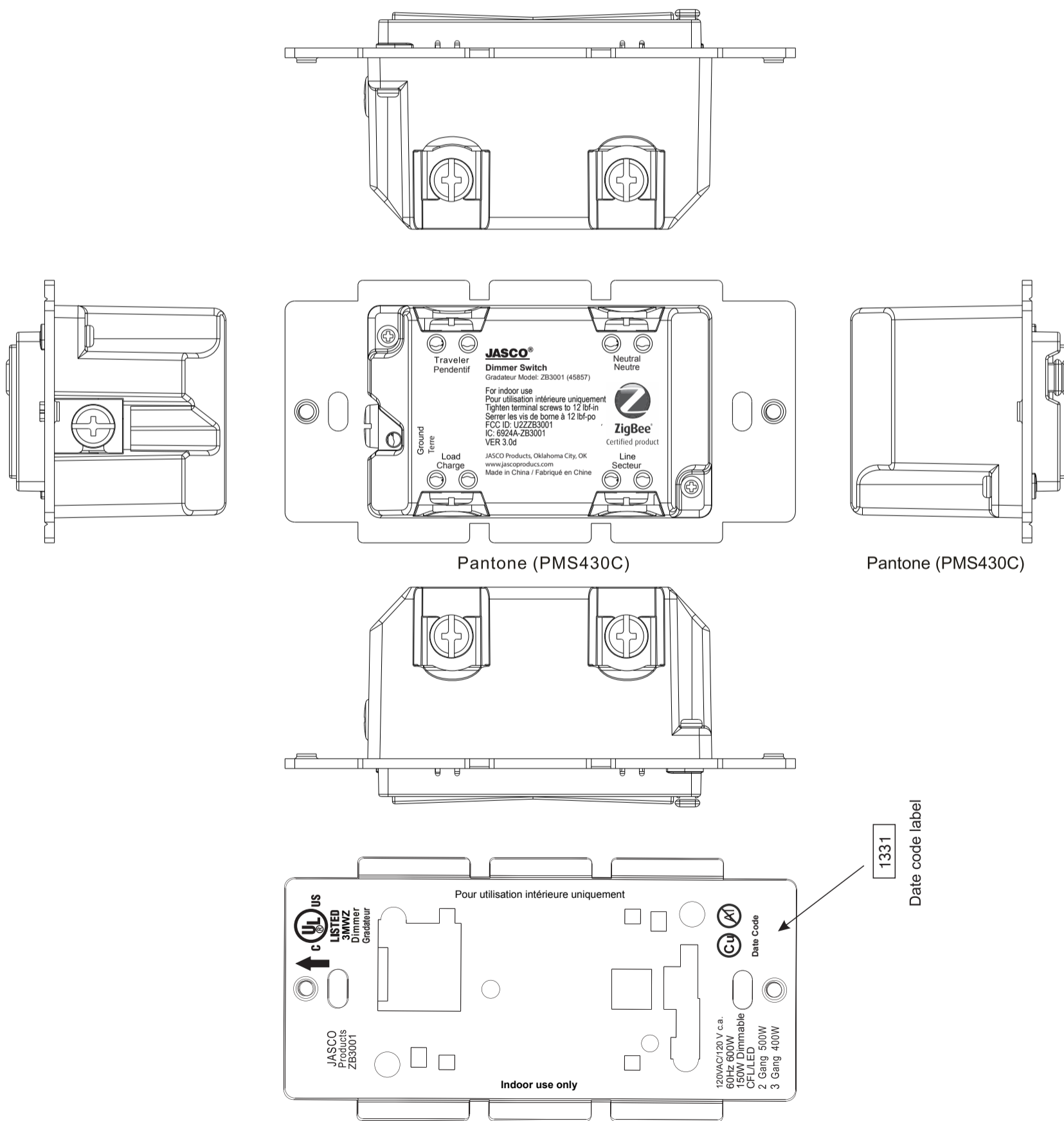
PRE Production APPROVED

QC APPROVED

**JASCO**®

Pad Printing Specification for Jasco Zigbee Product

Jasco model no.: ZB3001(45857)



Pantone (PMS430C)

Pantone (PMS430C)

1331  
Date code label