



A D T

# SAR TEST REPORT (15.407)

**REPORT NO.:** SA980724L11-2

**MODEL NO.:** EUB9801 (Refer to item 2.1 for the more details)

**RECEIVED:** Jul. 27, 2009

**TESTED:** Aug. 06, 2009

**ISSUED:** Aug. 17, 2009

**APPLICANT:** Senao Networks Inc.

**ADDRESS:** 3F, No. 529, Chung Cheng Rd., Hsintien, Taipei,  
Taiwan, R.O.C.

**ISSUED BY:** Bureau Veritas Consumer Products Services  
(H.K.) Ltd., Taoyuan Branch

**LAB ADDRESS:** No. 47, 14th Ling, Chia Pau Tsuen, Lin Kou  
Hsiang, Taipei Hsien 244, Taiwan, R.O.C.

**TEST LOCATION:** No. 19, Hwa Ya 2nd Rd, Wen Hwa Tsuen, Kwei  
Shan Hsiang, Taoyuan Hsien 333, Taiwan, R.O.C.

This test report consists of 41 pages in total except Appendix. It may be duplicated completely for legal use with the approval of the applicant. It should not be reproduced except in full, without the written approval of our laboratory. The client should not use it to claim product endorsement by TAF or any government agencies. The test results in the report only apply to the tested sample.





# TABLE OF CONTENTS

1.	CERTIFICATION .....	3
2.	GENERAL INFORMATION .....	4
2.1	GENERAL DESCRIPTION OF EUT.....	4
2.2	GENERAL DESCRIPTION OF APPLIED STANDARDS.....	6
2.3	GENERAL INFORMATION OF THE SAR SYSTEM.....	7
2.4	GENERAL DESCRIPTION OF THE SPATIAL PEAK SAR EVALUATION .....	10
3.	DESCRIPTION OF SUPPORT UNITS.....	14
4.	DESCRIPTION OF TEST MODES AND CONFIGURATIONS .....	15
4.1.	DESCRIPTION OF ANTENNA LOCATION.....	15
4.2.	DESCRIPTION OF ASSESSMENT POSITION .....	16
4.3.	DESCRIPTION OF TEST MODE.....	17
4.4.	SUMMARY OF TEST RESULTS.....	19
5.	TEST RESULTS.....	20
5.1	TEST PROCEDURES.....	20
5.2	MEASURED SAR RESULTS .....	22
5.3	SAR LIMITS .....	24
5.4	RECIPES FOR TISSUE SIMULATING LIQUIDS.....	25
5.5	TEST EQUIPMENT FOR TISSUE PROPERTY.....	28
6.	SYSTEM VALIDATION.....	29
6.1	TEST EQUIPMENT.....	29
6.2	TEST PROCEDURE .....	30
6.3	VALIDATION RESULTS .....	32
6.4	SYSTEM VALIDATION UNCERTAINTIES (FOR 5.0GHz).....	33
7.	MEASUREMENT SAR PROCEDURE UNCERTAINTIES .....	34
7.1.	PROBE CALIBRATION UNCERTAINTY .....	34
7.2.	ISOTROPY UNCERTAINTY .....	35
7.3.	BOUNDARY EFFECT UNCERTAINTY .....	35
7.4.	PROBE LINEARITY UNCERTAINTY .....	36
7.5.	READOUT ELECTRONICS UNCERTAINTY.....	36
7.6.	RESPONSE TIME UNCERTAINTY .....	36
7.7.	INTEGRATION TIME UNCERTAINTY.....	37
7.8.	PROBE POSITIONER MECHANICAL TOLERANCE.....	38
7.9.	PROBE POSITIONING .....	38
7.10.	PHANTOM UNCERTAINTY.....	39
7.11.	DASY5 UNCERTAINTY BUDGET (FOR 5 ~ 6GHz).....	40
8.	INFORMATION ON THE TESTING LABORATORIES.....	41

APPENDIX A: TEST CONFIGURATIONS AND TEST DATA

APPENDIX B: ADT SAR MEASUREMENT SYSTEM

APPENDIX C: PHOTOGRAPHS OF SYSTEM VALIDATION

APPENDIX D: SYSTEM CERTIFICATE & CALIBRATION



## 1. CERTIFICATION

**PRODUCT:** Wireless Dual Band 802.11 a/b/g/n USB adapter

**MODEL:** EUB9801 (Refer to item 2.1 for the more details)

**BRAND:** EnGenius (Refer to item 2.1 for the more details)

**APPLICANT:** Senao Networks Inc.

**TESTED:** Aug. 06, 2009

**TEST SAMPLE:** ENGINEERING SAMPLE

**STANDARDS:** **FCC Part 2 (Section 2.1093)**  
**FCC OET Bulletin 65, Supplement C (01-01)**  
**RSS-102**

The above equipment (model: EUB9801) has been tested by **Bureau Veritas Consumer Products Services (H.K.) Ltd., Taoyuan Branch**, and found compliance with the requirement of the above standards. The test record, data evaluation & Equipment Under Test (EUT) configurations represented herein are true and accurate accounts of the measurements of the sample's EMC characteristics under the conditions specified in this report.

**PREPARED BY** : Polly Chien , **DATE** : Aug. 17, 2009  
Polly Chien / Specialist

**TECHNICAL ACCEPTANCE** : James Fan , **DATE** : Aug. 17, 2009  
Responsible for RF James Fan / Engineer

**APPROVED BY** : Gary Chang , **DATE** : Aug. 17, 2009  
Gary Chang / Assistant Manager



## 2. GENERAL INFORMATION

### 2.1 GENERAL DESCRIPTION OF EUT

<b>PRODUCT</b>	Wireless Dual Band 802.11 a/b/g/n USB adapter
<b>MODEL NO.</b>	EUB9801 (Refer to Note 1 for the more details)
<b>FCC ID</b>	U2M-UB9801
<b>POWER SUPPLY</b>	5Vdc from host equipment
<b>MODULATION TYPE</b>	CCK, DQPSK, DBPSK for DSSS 64QAM, 16QAM, QPSK, BPSK for OFDM
<b>MODULATION TECHNOLOGY</b>	DSSS, OFDM
<b>TRANSFER RATE</b>	802.11a: 54.0/ 48.0/ 36.0/ 24.0/ 18.0/ 12.0/ 9.0/ 6.0Mbps Draft 802.11n: up to 300.0Mbps
<b>OPERATING FREQUENCY</b>	<b>5.0GHz:</b> 5180 ~ 5240MHz
<b>NUMBER OF CHANNEL</b>	<b>5.0GHz:</b> 5180 ~ 5240MHz: 4 for 802.11a, draft 802.11n (20MHz) 2 for draft 802.11n (40MHz)
<b>CHANNEL FREQUENCIES UNDER TEST AND ITS CONDUCTED OUTPUT POWER (FOR 5.0GHz)</b>	<b>802.11a:</b> 16.65dBm / Ch40: 5200MHz <b>DRAFT 802.11n (20MHz):</b> 16.68dBm / Ch40: 5200MHz <b>DRAFT 802.11n (40MHz):</b> 16.64dBm / Ch46: 5230MHz
<b>MAXIMUM SAR (1g)</b>	0.598W/kg
<b>ANTENNA TYPE</b>	Printed antenna with -3dBi gain
<b>DATA CABLE</b>	NA
<b>I/O PORTS</b>	USB
<b>ACCESSORY DEVICES</b>	NA

**NOTE:**

- The following models are electrically identical, different model names and brands are for marketing purpose.

BRAND	MODEL	DIFFERENCE
EnGenius	EUB9801	Marketing different
Rosewill	RNX-N1-Dual	
Sitecom	WL-329	



2. The EUT is a Wireless Dual Band 802.11 a/b/g/n USB adapter. The functions of EUT listed as below:

	REFERENCE REPORT
WLAN 802.11b/g, draft 802.11n	SA980724L11
WLAN 802.11a, draft 802.11n (5745~5825 MHz)	SA980724L11-1
WLAN 802.11a, draft 802.11n (5180~ 5240MHz)	SA980724L11-2

3. The frequency bands used in this EUT are listed as follows:

Frequency Band (MHz)	2412~2462	5180~5240	5745~5825
802.11b	√		
802.11g	√		
802.11a		√	√
Draft 802.11n (20MHz)	√	√	√
Draft 802.11n (40MHz)	√	√	√

4. The EUT incorporates a MIMO function. Physically, the EUT provides two completed transmitters and two receivers.

MODULATION MODE	TX FUNCTION
802.11b	2TX
802.11g	2TX
802.11a	2TX
Draft 802.11n (20MHz)	2TX
Draft 802.11n (40MHz)	2TX

5. The above EUT information was declared by manufacturer and for more detailed features description please refers to the manufacturer's specifications or User's Manual.

## **2.2 GENERAL DESCRIPTION OF APPLIED STANDARDS**

According to the specifications of the manufacturer, this product must comply with the requirements of the following standards:

**FCC Part 2 (2.1093)**

**FCC OET Bulletin 65, Supplement C (01- 01)**

**RSS-102**

**IEEE 1528-2003**

All test items have been performed and recorded as per the above standards.



A D T

## 2.3 GENERAL INFORMATION OF THE SAR SYSTEM

DASY5 (**software 5.0 Build 125**) consists of high precision robot, probe alignment sensor, phantom, robot controller, controlled measurement server and near-field probe. The robot includes six axes that can move to the precision position of the DASY5 software defined. The DASY5 software can define the area that is detected by the probe. The robot is connected to controlled box. Controlled measurement server is connected to the controlled robot box. The DAE includes amplifier, signal multiplexing, AD converter, offset measurement and surface detection. It is connected to the Electro-optical coupler (ECO). The ECO performs the conversion from the optical into digital electric signal of the DAE and transfers data to the PC.

### EX3DV4 ISOTROPIC E-FIELD PROBE (FREQUENCY BAND 5 ~ 6GHz)

#### DIMENSIONS

Overall length: 330 mm (Tip Length: 20 mm)  
Tip diameter: 2.5 mm (Body diameter: 12 mm)  
Distance from probe tip to dipole centers: 1.0 mm

#### APPLICATION

General dosimetric measurements range 5 ~ 6 GHz.  
Fast automatic scanning in arbitrary phantoms (EX3DV4)

#### NOTE

1. The Probe parameters have been calibrated by the SPEAG. Please reference "APPENDIX D" for the Calibration Certification Report.
2. For frequencies above 800 MHz, calibration in a rectangular wave-guide is used, because wave-guide size is manageable.
3. For frequencies below 800 MHz, temperature transfer calibration is used because the wave-guide size becomes relatively large.



## TWIN SAM V4.0

### CONSTRUCTION

The shell corresponds to the specifications of the Specific Anthropomorphic Mannequin (SAM) phantom defined in IEEE 1528-2003, EN 62209-1 and IEC 62209. It enables the dosimetric evaluation of left and right hand phone usage as well as body mounted usage at the flat phantom region. A cover prevents evaporation of the liquid. Reference markings on the phantom allow the complete setup of all predefined phantom positions and measurement grids by manually teaching three points with the robot.

### SHELL THICKNESS

$2 \pm 0.2\text{mm}$

### FILLING VOLUME

Approx. 25liters

### DIMENSIONS

Height: 810mm; Length: 1000mm; Width: 500mm

### SYSTEM VALIDATION KITS:

#### CONSTRUCTION

Symmetrical dipole with 1/4 balun enables measurement of feedpoint impedance with NWA matched for use near flat phantoms filled with brain simulating solutions. Includes distance holder and tripod adaptor

#### CALIBRATION

Calibrated SAR value for specified position and input power at the flat phantom in brain simulating solutions

#### FREQUENCY

5200MHz

#### RETURN LOSS

> 20dB at specified validation position

#### POWER CAPABILITY

> 100W ( $f < 1\text{GHz}$ ); > 40W ( $f > 1\text{GHz}$ )

#### OPTIONS

Dipoles for other frequencies or solutions and other calibration conditions upon request





## DEVICE HOLDER FOR SAM TWIN PHANTOM

### CONSTRUCTION

The device holder for the mobile phone device is designed to cope with different positions given in the standard. It has two scales for the device rotation (with respect to the body axis) and the device inclination (with respect to the line between the ear reference points). The rotation centers for both scales is the ear reference point (ERP). Thus the device needs no repositioning when changing the angles. The holder has been made out of low-loss POM material having the following dielectric parameters: relative permittivity  $\varepsilon = 3$  and loss tangent  $\delta = 0.02$ . The amount of dielectric material has been reduced in the closest vicinity of the device, since measurements have suggested that the influence of the clamp on the test results could thus be lowered. The device holder for the portable device makes up of the polyethylene foam. The dielectric parameters of material close to the dielectric parameters of the air.

## DATA ACQUISITION ELECTRONICS

### CONSTRUCTION

The data acquisition electronics (DAE3) consists of a highly sensitive electrometer grade preamplifier with auto-zeroing, a channel and gain-switching multiplex, a fast 16 bit AD converter and a command decoder and control logic unit. Transmission to the measurement server is accomplished through an optical downlink for data and status information as well as an optical uplink for commands and the clock. The mechanical probe is mounting device includes two different sensor systems for frontal and sideways probe contacts. They are used for mechanical surface detection and probe collision detection. The input impedance of the DAE3 box is 200M $\Omega$ ; the inputs are symmetrical and floating. Common mode rejection is above 80 dB.



## 2.4 GENERAL DESCRIPTION OF THE SPATIAL PEAK SAR EVALUATION

The DASY5 post-processing software (SEMCAD) automatically executes the following procedures to calculate the field units from the micro-volt readings at the probe connector. The parameters used in the evaluation are stored in the configuration modules of the software:

Probe parameters:	- Sensitivity	Norm <sub>i</sub> , a <sub>i0</sub> , a <sub>i1</sub> , a <sub>i2</sub>
	- Conversion factor	ConvF <sub>i</sub>
	- Diode compression point	dcp <sub>i</sub>
Device parameters:	- Frequency	F
	- Crest factor	Cf
Media parameters:	- Conductivity	σ
	- Density	ρ

The first step of the evaluation is a linearization of the filtered input signal to account for the compression characteristics of the detector diode. The compensation depends on the input signal, the diode type and the DC-transmission factor from the diode to the evaluation electronics. If the exciting field is pulsed, the crest factor of the signal must be known to correctly compensate for peak power. The formula for each channel can be given as:

$$V_i = U_i + U_i^2 \cdot \frac{cf}{dcp_i}$$

V <sub>i</sub>	=compensated signal of channel i	(i = x, y, z)
U <sub>i</sub>	=input signal of channel i	(i = x, y, z)
Cf	=crest factor of exciting field	(DASY parameter)
dcp <sub>i</sub>	=diode compression point	(DASY parameter)

From the compensated input signals the primary field data for each channel can be evaluated:

$$\text{E-field probes: } E_i = \sqrt{\frac{V_i}{\text{Norm}_i \cdot \text{ConvF}}}$$

$$\text{H-field probes: } H_i = \sqrt{V_i} \cdot \frac{a_{i0} + a_{i1}f + a_{i2}f^2}{f}$$

- $V_i$  = compensated signal of channel  $i$  ( $i = x, y, z$ )
- $\text{Norm}_i$  = sensor sensitivity of channel  $i$   $\mu\text{V}/(\text{V/m})^2$  for E-field Probes ( $i = x, y, z$ )
- $\text{ConvF}$  = sensitivity enhancement in solution
- $a_{ij}$  = sensor sensitivity factors for H-field probes
- $f$  = carrier frequency [GHz]
- $E_i$  = electric field strength of channel  $i$  in V/m
- $H_i$  = magnetic field strength of channel  $i$  in A/m

The RSS value of the field components gives the total field strength (Hermitian magnitude):

$$E_{tot} = \sqrt{E_x^2 + E_y^2 + E_z^2}$$

The primary field data are used to calculate the derived field units.

$$SAR = E_{tot}^2 \cdot \frac{\sigma}{\rho \cdot 1'000}$$

- $SAR$  = local specific absorption rate in mW/g
- $E_{tot}$  = total field strength in V/m
- $\sigma$  = conductivity in [mho/m] or [Siemens/m]
- $\rho$  = equivalent tissue density in g/cm<sup>3</sup>



Note that the density is set to 1, to account for actual head tissue density rather than the density of the tissue simulating liquid. The entire evaluation of the spatial peak values is performed within the Post-processing engine (SEMCAD). The system always gives the maximum values for the 1g and 10g cubes. The algorithm to find the cube with highest averaged SAR is divided into the following stages:

1. The extraction of the measured data (grid and values) from the Zoom Scan
2. The calculation of the SAR value at every measurement point based on all stored data (A/D values and measurement parameters)
3. The generation of a high-resolution mesh within the measured volume
4. The interpolation of all measured values from the measurement grid to the high-resolution grid
5. The extrapolation of the entire 3-D field distribution to the phantom surface over the distance from sensor to surface
6. The calculation of the averaged SAR within masses of 1g and 10g.

The probe is calibrated at the center of the dipole sensors that is located 1 to 2.7mm away from the probe tip. During measurements, the probe stops shortly above the phantom surface, depending on the probe and the surface detecting system. Both distances are included as parameters in the probe configuration file. The software always knows exactly how far away the measured point is from the surface. As the probe cannot directly measure at the surface, the values between the deepest measured point and the surface must be extrapolated. The angle between the probe axis and the surface normal line is less than 30 degree.



A D T

The maximum search is automatically performed after each area scan measurement. It is based on splines in two or three dimensions. The procedure can find the maximum for most SAR distributions even with relatively large grid spacing. After the area scanning measurement, the probe is automatically moved to a position at the interpolated maximum. The following scan can directly use this position for reference, e.g., for a finer resolution grid or the cube evaluations. The 1g and 10g peak evaluations are only available for the predefined cube 7 x 7 x 7 scans. The routines are verified and optimized for the grid dimensions used in these cube measurements. The measured volume of 30 x 30 x 30mm contains about 30g of tissue. The first procedure is an extrapolation (incl. boundary correction) to get the points between the lowest measured plane and the surface. The next step uses 3D interpolation to get all points within the measured volume in a 1mm grid (42875 points). In the last step, a 1g cube is placed numerically into the volume and its averaged SAR is calculated. This cube is moved around until the highest averaged SAR is found. If the highest SAR is found at the edge of the measured volume, the system will issue a warning: higher SAR values might be found outside of the measured volume. In that case the cube measurement can be repeated, using the new interpolated maximum as the center.



### 3. DESCRIPTION OF SUPPORT UNITS

The EUT has been tested as an independent unit together with other necessary accessories or support units. The following support units or accessories were used to form a representative test configuration during the tests.

NO.	PRODUCT	BRAND	MODEL NO.	SERIAL NO.	FCC ID
1	NOTEBOOK	DELL	D600	CN-0G5152-486 43-49C-8226	FCC DoC Approved

NO.	SIGNAL CABLE DESCRIPTION OF THE ABOVE SUPPORT UNITS
1	NA

**NOTE:** The length of USB cable is 11.6 inch. USB cable does not affect device radiating characteristics and output power

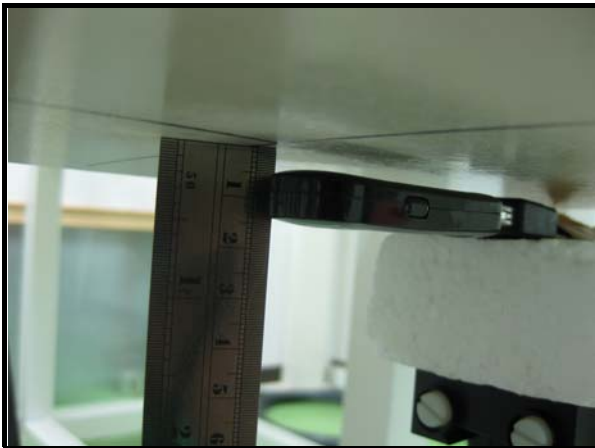
## 4. DESCRIPTION OF TEST MODES AND CONFIGURATIONS

### 4.1. DESCRIPTION OF ANTENNA LOCATION



## 4.2. DESCRIPTION OF ASSESSMENT POSITION

The following test configurations have been applied in this test report:



**A**

The front of the EUT faces to the phantom with 5mm-separation distance.



**B**

The bottom edge of the EUT faces to the phantom with 5mm-separation distance.



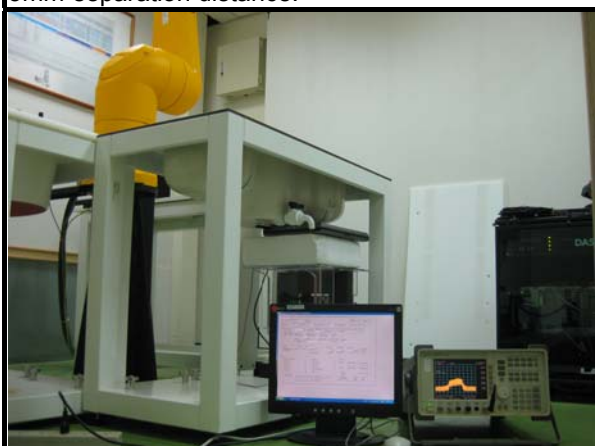
**C**

The right edge of the EUT faces to the phantom with 5mm-separation distance.



**D**

The left edge of the EUT faces to the phantom with 5mm-separation distance.



**SETUP PHOTO**





### 4.3. DESCRIPTION OF TEST MODE

Test tool is QA\_RT3x7x\_V1.4.0.0 tool provided by client. It can control EUT to transmit continuously at specific channel, output power level, data rates and 100 % duty signal.

“Per KDB 248277, for each frequency band, testing at higher data rates and higher order modulations is not required when the maximum average output power for each of these configurations is less than  $\frac{1}{4}$  dB higher than those measured at the lowest data rate.”

Comparing output power of all modulations and data rates of each mode can find the lowest data rates has max output power. Therefore, EUT will set under lowest data rates to test.

“Per KDB 447498, when the SAR procedures require multiple channels to be tested and the 1-g SAR for the highest output channel is less than 0.8 W/kg and peak SAR is less than 1.6W/kg, where the transmission band corresponding to all channels is  $\leq 100$  MHz, testing for the other channels is not required.”

According to test data from table of section 4.4, SAR value of highest output power channel is less than 0.8 W / kg and peak SAR is less than 1.6W/kg. Therefore, testing for other channels is not required.



A D T

ITEM	TEST MODE	MODULATION	ASSESSMENT POSITION	TESTED CHANNEL
1	802.11a	BPSK	A	40
2	802.11a	BPSK	B	
3	802.11a	BPSK	C	
4	802.11a	BPSK	D	
5	Draft 802.11n (20MHz)	BPSK	A	
6	Draft 802.11n (20MHz)	BPSK	B	
7	Draft 802.11n (20MHz)	BPSK	C	
8	Draft 802.11n (20MHz)	BPSK	D	
9	Draft 802.11n (40MHz)	BPSK	A	46
10	Draft 802.11n (40MHz)	BPSK	B	
11	Draft 802.11n (40MHz)	BPSK	C	
12	Draft 802.11n (40MHz)	BPSK	D	

#### 4.4. SUMMARY OF TEST RESULTS

ITEM		1	2	3	4
TEST MODE		802.11a	802.11a	802.11a	802.11a
CHAN.	FREQ. (MHz)	MEASURED VALUE OF 1g SAR ( W/kg)			
40	5200	0.497	0.508	0.313	0.248

ITEM		5	6	7	8
TEST MODE		DRAFT 802.11n (20MHz)	DRAFT 802.11n (20MHz)	DRAFT 802.11n (20MHz)	DRAFT 802.11n (20MHz)
CHAN.	FREQ. (MHz)	MEASURED VALUE OF 1g SAR ( W/kg)			
40	5200	0.577	<b>0.598</b>	0.453	0.353

ITEM		9	10	11	12
TEST MODE		DRAFT 802.11n (40MHz)	DRAFT 802.11n (40MHz)	DRAFT 802.11n (40MHz)	DRAFT 802.11n (40MHz)
CHAN.	FREQ. (MHz)	MEASURED VALUE OF 1g SAR ( W/kg)			
46	5230	0.556	0.587	0.440	0.347

**NOTE:** The worst value has been marked by boldface.

## 5. TEST RESULTS

### 5.1 TEST PROCEDURES

Use the software to control the EUT channel and transmission power. Then record the conducted power before the testing. Place the EUT to the specific test location. After the testing, must writing down the conducted power of the EUT into the report. The SAR value was calculated via the 3D spline interpolation algorithm that has been implemented in the software of DASY5 SAR measurement system manufactured and calibrated by SPEAG. According to the IEEE 1528 standards, the recommended procedure for assessing the peak spatial-average SAR value consists of the following steps:

- Power reference measurement
- Verification of the power reference measurement
- Area scan
- Zoom scan
- Power reference measurement

The area scan was performed for the highest spatial SAR location. The zoom scan with 30mm x 30mm x 30mm volume was performed for SAR value averaged over 1g and 10g spatial volumes.



In the zoom scan, the distance between the measurement point at the probe sensor location (geometric center behind the probe tip) and the phantom surface is 3mm and maintained at a constant distance of  $\pm 0.5$ mm during a zoom scan to determine peak SAR locations. The distance is 3mm between the first measurement point and the bottom surface of the phantom. The secondary measurement point to the bottom surface of the phantom is with 8mm separation distance. The cube size is 7 x 7 x 7 points consists of 343 points and the grid space is 5mm.

The measurement time is 0.5s at each point of the zoom scan. The probe boundary effect compensation shall be applied during the SAR test. Because of the tip of the probe to the Phantom surface separated distances are longer than half a tip probe diameter.

In the area scan, the separation distance is 3mm between the each measurement point and the phantom surface. The scan size shall be included the transmission portion of the EUT. The measurement time is the same as the zoom scan. At last the reference power drift shall be less than  $\pm 5\%$ .



A D T

## 5.2 MEASURED SAR RESULTS

ENVIRONMENTAL CONDITION		Air Temperature : 23.1°C, Liquid Temperature : 22.8°C Humidity : 63%RH				
TESTED BY		Dylan Chiou	DATE		Aug. 06, 2009	
CHAN.	FREQ. (MHz)	TEST MODE	POWER (dBm)	POWER DRIFT (dB)	DEVICE TEST POSITION MODE	MEASURED 1g SAR (W/kg)
			BEGIN TEST			
40	5200	802.11a	16.65	-0.170	1	0.497
40	5200	802.11a	16.65	-0.135	2	0.508
40	5200	802.11a	16.65	-0.082	3	0.313
40	5200	802.11a	16.65	-0.021	4	0.248
40	5200	DRAFT 802.11n (20MHz)	16.68	-0.096	5	0.577
40	5200	DRAFT 802.11n (20MHz)	16.68	-0.067	6	<b>0.598</b>

**NOTE:**

1. Test configuration of each mode is described in section 3.
2. In this testing, the limit for General Population Spatial Peak averaged over 1g, **1.6 W/kg**, is applied.
3. Please see the Appendix A for the data.
4. The variation of the EUT conducted power measured before and after SAR testing should not over 5%.



A D T

ENVIRONMENTAL CONDITION		Air Temperature : 23.1°C, Liquid Temperature : 22.8°C Humidity : 63%RH				
TESTED BY		Dylan Chiou	DATE		Aug. 06, 2009	
CHAN.	FREQ. (MHz)	TEST MODE	POWER (dBm)	POWER DRIFT (dB)	DEVICE TEST POSITION MODE	MEASURED 1g SAR (W/kg)
			BEGIN TEST			
40	5200	DRAFT 802.11n (20MHz)	16.68	-0.179	7	0.453
40	5200	DRAFT 802.11n (20MHz)	16.68	-0.159	8	0.353
46	5230	DRAFT 802.11n (40MHz)	16.64	-0.163	9	0.556
46	5230	DRAFT 802.11n (40MHz)	16.64	-0.147	10	0.587
46	5230	DRAFT 802.11n (40MHz)	16.64	-0.068	11	0.440
46	5230	DRAFT 802.11n (40MHz)	16.64	-0.026	12	0.347

**NOTE:**

1. Test configuration of each mode is described in section 3.
2. In this testing, the limit for General Population Spatial Peak averaged over 1g, **1.6 W/kg**, is applied.
3. Please see the Appendix A for the data.
4. The variation of the EUT conducted power measured before and after SAR testing should not over 5%.



### 5.3 SAR LIMITS

HUMAN EXPOSURE	SAR (W/kg)	
	(GENERAL POPULATION / UNCONTROLLED EXPOSURE ENVIRONMENT)	(OCCUPATIONAL / CONTROLLED EXPOSURE ENVIRONMENT)
Spatial Average (whole body)	0.08	0.4
Spatial Peak (averaged over 1 g)	1.6	8.0
Spatial Peak (hands / wrists / feet / ankles averaged over 10 g)	4.0	20.0

**NOTE:**

1. This limits accord to 47 CFR 2.1093 – Safety Limit.
2. The EUT property been complied with the partial body exposure limit under the general population environment.



## 5.4 RECIPES FOR TISSUE SIMULATING LIQUIDS

For the measurement of the field distribution inside the SAM phantom, the phantom must be filled with 25 liters of tissue simulation liquid.

The following ingredients are used :

- **WATER-** Deionized water (pure H<sub>2</sub>O), resistivity  $\geq 16$  M - as basis for the liquid
- **SUGAR-** Refined sugar in crystals, as available in food shops - to reduce relative permittivity
- **SALT-** Pure NaCl - to increase conductivity
- **CELLULOSE-** Hydroxyethyl-cellulose, medium viscosity (75-125mPa.s, 2% in water, 20\_C),  
CAS # 54290 - to increase viscosity and to keep sugar in solution
- **PRESERVATIVE-** Preventol D-7 Bayer AG, D-51368 Leverkusen, CAS # 55965-84-9 - to prevent the spread of bacteria and molds
- **DGMBE-** Diethylenglycol-monobuthyl ether (DGMBE), Fluka Chemie GmbH, CAS # 112-34-5 - to reduce relative permittivity

### THE INFORMATION FOR 5GHz SIMULATING LIQUID

**The 5GHz liquids was purchased from SPEAG.**

**Body liquid model:** HSL 5800, P/N: SL AAH 5800 AA

**Head liquid model:** M 5800, P/N: SL AAM 580 AD

**5GHz liquids contain the following ingredients:**

Water 64 - 78%

Mineral Oil 11 - 18%

Emulsifiers 9 - 15%

Additives and Salt 2 - 3%

Testing the liquids using the Agilent Network Analyzer E8358A and Agilent Dielectric Probe Kit 85070D. The testing procedure is following as

1. Turn Network Analyzer on and allow at least 30min. warm up.
2. Mount dielectric probe kit so that interconnecting cable to Network Analyzer will not be moved during measurements or calibration.
3. Pour de-ionized water and measure water temperature ( $\pm 1^\circ$ ).
4. Set water temperature in Agilent-Software (Calibration Setup).
5. Perform calibration.
6. Validate calibration with dielectric material of known properties (e.g. polished ceramic slab with  $>8\text{mm}$  thickness  $\epsilon' = 10.0$ ,  $\epsilon'' = 0.0$ ). If measured parameters do not fit within tolerance, repeat calibration ( $\pm 0.2$  for  $\epsilon'$ :  $\pm 0.1$  for  $\epsilon''$ ).
7. Conductivity can be calculated from  $\epsilon''$  by  $\sigma = \omega \epsilon_0 \epsilon'' = \epsilon'' f [\text{GHz}] / 18$ .
8. Measure liquid shortly after calibration. Repeat calibration every hour.
9. Stir the liquid to be measured. Take a sample ( $\sim 50\text{ml}$ ) with a syringe from the center of the liquid container.
10. Pour the liquid into a small glass flask. Hold the syringe at the bottom of the flask to avoid air bubbles.
11. Put the dielectric probe in the glass flask. Check that there are no air bubbles in front of the opening in the dielectric probe kit.
12. Perform measurements.
13. Adjust medium parameters in DASY5 for the frequencies necessary for the measurements ('Setup Config', select medium (e.g. Brain 900MHz) and press 'Option'-button.
14. Select the current medium for the frequency of the validation (e.g. Setup Medium Brain 900MHz).



A D T

### FOR WLAN 5GHz BAND SIMULATING LIQUID

<b>LIQUID TYPE</b>		MSL-5800		
<b>SIMULATING LIQUID TEMP.</b>		22.8		
<b>TEST DATE</b>		Aug. 06, 2009		
<b>TESTED BY</b>		Dylan Chiou		
<b>FREQ. (MHz)</b>	<b>LIQUID PARAMETER</b>	<b>STANDARD VALUE</b>	<b>MEASUREMENT VALUE</b>	<b>ERROR PERCENTAGE (%)</b>
5200	Permittivity	49.00	49.60	1.22
5230	( $\epsilon$ )	49.00	49.60	1.22
5200	Conductivity	5.30	5.37	1.32
5230	( $\sigma$ ) S/m	5.33	5.37	0.75
<b>Dielectric Parameters Required at 22°C</b>				



A D T

## 5.5 TEST EQUIPMENT FOR TISSUE PROPERTY

ITEM	NAME	BRAND	TYPE	SERIES NO.	DATE OF CALIBRATION	DUE DATE OF CALIBRATION
1	Network Analyzer	Agilent	E8358A	US41480538	Nov. 27, 2008	Nov. 26, 2009
2	Dielectric Probe	Agilent	85070D	US01440176	NA	NA

**NOTE:**

1. Before starting, all test equipment shall be warmed up for 30min.
2. The tolerance (k=1) specified by Agilent for general dielectric measurements, deriving from inaccuracies in the calibration data, analyzer drift, and random errors, are usually  $\pm 2.5\%$  and  $\pm 5\%$  for measured permittivity and conductivity, respectively. However, the tolerances for the conductivity is smaller for material with large loss tangents, i.e., less than  $\pm 2.5\%$  (k=1). It can be substantially smaller if more accurate methods are applied.



A D T

## 6. SYSTEM VALIDATION

The system validation was performed in the flat phantom with equipment listed in the following table. Since the SAR value is calculated from the measured electric field, dielectric constant and conductivity of the body tissue and the SAR is proportional to the square of the electric field. So, the SAR value will be also proportional to the RF power input to the system validation dipole under the same test environment. In our system validation test, 250mW RF input power was used.

### 6.1 TEST EQUIPMENT

ITEM	NAME	BRAND	TYPE	SERIES NO.	DATE OF CALIBRATION	DUE DATE OF CALIBRATION
1	SAM Phantom	S & P	QD000 P40 CA	TP-1150	NA	NA
2	Signal Generator	Anritsu	68247B	984703	May 27, 2008	May 26, 2009
3	E-Field Probe	S & P	EX3DV4	3590	Apr. 28, 2009	Apr. 27, 2010
4	DAE	S & P	DAE	861	Sep. 22, 2008	Sep. 21, 2009
5	Robot Positioner	Staubli Unimation	NA	NA	NA	NA
6	Validation Dipole	S & P	D5GHzV2	1019	Feb. 20, 2009	Feb. 19, 2010
7	Power Meter	Agilent	E4416A	GB41291763	Sep. 28, 2008	Sep. 29, 2009
8	Power Sensor	Agilent	E9327A	US40441181	Sep. 28, 2008	Sep. 29, 2009

**NOTE:** Before starting the measurement, all test equipment shall be warmed up for 30min.

## 6.2 TEST PROCEDURE

Before the system performance check, we need only to tell the system which components (probe, medium, and device) are used for the system performance check; the system will take care of all parameters. The dipole must be placed beneath the flat section of the SAM Twin Phantom with the correct distance holder in place. The distance holder should touch the phantom surface with a light pressure at the reference marking (little cross) and be oriented parallel to the long side of the phantom. Accurate positioning is not necessary, since the system will search for the peak SAR location, except that the dipole arms should be parallel to the surface. The device holder for mobile phones can be left in place but should be rotated away from the dipole.

1. The "Power Reference Measurement" and "Power Drift Measurement" jobs are located at the beginning and end of the batch process. They measure the field drift at one single point in the liquid over the complete procedure. The indicated drift is mainly the variation of the amplifier output power. If it is too high (above  $\pm 0.1$  dB), the system performance check should be repeated; some amplifiers have very high drift during warm-up. A stable amplifier gives drift results in the DASY system below  $\pm 0.02$  dB.
2. The "Surface Check" job tests the optical surface detection system of the DASY system by repeatedly detecting the surface with the optical and mechanical surface detector and comparing the results. The output gives the detecting heights of both systems, the difference between the two systems and the standard deviation of the detection repeatability. Air bubbles or refraction in the liquid due to separation of the sugar-water mixture gives poor repeatability (above  $\pm 0.1$  mm). In that case it is better to abort the system performance check and stir the liquid.



3. The "Area Scan" job measures the SAR above the dipole on a plane parallel to the surface. It is used to locate the approximate location of the peak SAR. The proposed scan uses large grid spacing for faster measurement; due to the symmetric field, the peak detection is reliable. If a finer graphic is desired, the grid spacing can be reduced. Grid spacing and orientation have no influence on the SAR result.
4. The "Zoom Scan" job measures the field in a volume around the peak SAR value assessed in the previous "Area Scan" job (for more information see the application note on SAR evaluation).

About the validation dipole positioning uncertainty, the constant and low loss dielectric spacer is used to establish the correct distance between the top surface of the dipole and the bottom surface of the phantom, the error component introduced by the uncertainty of the distance between the liquid (i.e., phantom shell) and the validation dipole in the DASYS system is less than  $\pm 0.1\text{mm}$ .

$$SAR_{tolerance} [\%] = 100 \times \left( \frac{(a + d)^2}{a^2} - 1 \right)$$

As the closest distance is 10mm, the resulting tolerance  $SAR_{tolerance}[\%]$  is  $< 2\%$ .



A D T

### 6.3 VALIDATION RESULTS

SYSTEM VALIDATION TEST OF SIMULATING LIQUID					
FREQUENCY (MHz)	REQUIRED SAR (mW/g)	MEASURED SAR (mW/g)	DEVIATION (%)	SEPARATION DISTANCE	TESTED DATE
MSL5200	7.69 (1g)	7.54	-1.95	10mm	Aug. 06, 2009
TESTED BY	Dylan Chiou				

**NOTE:** Please see Appendix for the photo of system validation test.



## 6.4 SYSTEM VALIDATION UNCERTAINTIES (FOR 5.0GHZ)

In the table below, the system validation uncertainty with respect to the analytically assessed SAR value of a dipole source as given in the IEEE 1528 standard is given. This uncertainty is smaller than the expected uncertainty for mobile phone measurements due to the simplified setup and the symmetric field distribution.

Error Description	Tolerance (±%)	Probability Distribution	Divisor	(C <sub>i</sub> )		Standard Uncertainty (±%)		(v <sub>i</sub> )
				(1g)	(10g)	(1g)	(10g)	
<b>Measurement System</b>								
Probe Calibration	6.55	Normal	1	1	1	6.55	6.55	∞
Axial Isotropy	4.70	Rectangular	$\sqrt{3}$	0.7	0.7	1.90	1.90	∞
Hemispherical Isotropy	9.60	Rectangular	$\sqrt{3}$	0.7	0.7	3.88	3.88	∞
Boundary effects	2.00	Rectangular	$\sqrt{3}$	1	1	1.15	1.15	∞
Linearity	4.70	Rectangular	$\sqrt{3}$	1	1	2.71	2.71	∞
System Detection Limits	1.00	Rectangular	$\sqrt{3}$	1	1	0.58	0.58	∞
Readout Electronics	0.30	Normal	1	1	1	0.30	0.30	∞
Response Time	0.80	Rectangular	$\sqrt{3}$	1	1	0.46	0.46	∞
Integration Time	2.60	Rectangular	$\sqrt{3}$	1	1	1.50	1.50	∞
RF Ambient Noise	3.00	Rectangular	$\sqrt{3}$	1	1	1.73	1.73	∞
RF Ambient Reflections	3.00	Rectangular	$\sqrt{3}$	1	1	1.73	1.73	∞
Probe Positioner	0.80	Rectangular	$\sqrt{3}$	1	1	0.46	0.46	∞
Probe Positioning	9.90	Rectangular	$\sqrt{3}$	1	1	5.72	5.72	∞
Max. SAR Eval.	4.00	Rectangular	$\sqrt{3}$	1	1	2.31	2.31	∞
<b>Dipole Related</b>								
Dipole Axis to Liquid Distance	2.00	Rectangular	$\sqrt{3}$	1	1	1.15	1.15	145
Input Power Drift	5.00	Rectangular	$\sqrt{3}$	1	1	2.89	2.89	∞
<b>Phantom and Tissue parameters</b>								
Phantom Uncertainty	4.00	Rectangular	$\sqrt{3}$	1	1	2.31	2.31	∞
Liquid Conductivity (target)	5.00	Rectangular	$\sqrt{3}$	0.64	0.43	1.85	1.24	∞
Liquid Conductivity (measurement)	2.41	Normal	1	0.64	0.43	1.54	1.04	∞
Liquid Permittivity (target)	5.00	Rectangular	$\sqrt{3}$	0.6	0.49	1.73	1.41	∞
Liquid Permittivity (measurement)	2.36	Normal	1	0.6	0.49	1.42	1.16	∞
<b>Combined Standard Uncertainty</b>						<b>11.97</b>	<b>11.76</b>	
<b>Coverage Factor for 95%</b>						<b>Kp=2</b>		
<b>Expanded Uncertainty (K=2)</b>						<b>23.93</b>	<b>23.52</b>	

**NOTE:** About the system validation uncertainty assessment, please reference the section 7.

## 7. MEASUREMENT SAR PROCEDURE UNCERTAINTIES

The assessment of spatial peak SAR of the hand handheld devices is according to IEEE 1528 / EN 62209-1. All testing situation shall be met below these requirements.

- The system is used by an experienced engineer who follows the manual and the guidelines taught during the training provided by SPEAG.
- The probe has been calibrated within the requested period and the stated uncertainty for the relevant frequency bands does not exceed 4.8% (k=1).
- The validation dipole has been calibrated within the requested period and the system performance check has been successful.
- The DAE unit has been calibrated within the within the requested period.
- The minimum distance between the probe sensor and inner phantom shell is selected to be between 4 and 5mm.
- The operational mode of the DUT is CW, CDMA, FDMA or TDMA (GSM, DCS, PCS, IS136 and PDC) and the measurement/integration time per point is >500 ms.
- The dielectric parameters of the liquid have been assessed using Agilent 85070D dielectric probe kit or a more accurate method.
- The dielectric parameters are within 5% of the target values.
- The DUT has been positioned as described in section 3.

### 7.1. PROBE CALIBRATION UNCERTAINTY

SPEAG conducts the probe calibration in compliance with international and national standards (e.g. IEEE 1528, EN 62209-1, IEC 62209, etc.) under ISO17025. The uncertainties are stated on the calibration certificate. For the most relevant frequency bands, these values do not exceed 4.8% (k=1). If evaluations of other bands are performed for which the uncertainty exceeds these values, the uncertainty tables given in the summary have to be revised accordingly.

## 7.2. ISOTROPY UNCERTAINTY

The axial isotropy tolerance accounts for probe rotation around its axis while the hemispherical isotropy error includes all probe orientations and field polarizations. These parameters are assessed by SPEAG during initial calibration. In 2001, SPEAG further tightened its quality controls and warrants that the maximal deviation from axial isotropy is  $\pm 0.20\text{dB}$ , while the maximum deviation of hemispherical isotropy is  $\pm 0.40\text{dB}$ , corresponding to  $\pm 4.7\%$  and  $\pm 9.6\%$ , respectively. A weighting factor of  $c_p$  equal to 0.5 can be applied, since the axis of the probe deviates less than 30 degrees from the normal surface orientation.

## 7.3. BOUNDARY EFFECT UNCERTAINTY

The effect can be estimated according to the following error approximation formula

$$SAR_{tolerance} [\%] = SAR_{be} [\%] \times \frac{(d_{be} + d_{step})^2}{2d_{step}} e^{\frac{d_{be}}{\delta/2}}$$

$$d_{be} + d_{step} < 10\text{mm}$$

The parameter  $d_{be}$  is the distance in mm between the surface and the closest measurement point used in the averaging process;  $d_{step}$  is the separation distance in mm between the first and second measurement points;  $\delta$  is the minimum penetration depth in mm within the head tissue equivalent liquids (i.e.,  $\delta = 13.95\text{mm}$  at 3GHz);  $SAR_{be}$  is the deviation between the measured SAR value at the distance  $d_{be}$  from the boundary and the wave-guide analytical value  $SAR_{ref}$ . DASY5 applies a boundary effect compensation algorithm according to IEEE 1528, which is possible since the axis of the probe never deviates more than 30 degrees from the normal surface orientation.  $SAR_{be} [\%]$  is assessed during the calibration process and SPEAG warrants that the uncertainty at distances larger than 4mm is always less than 1%. In summary, the worst case boundary effect SAR tolerance [%] for scanning distances larger than 4mm is  $< \pm 0.8\%$ .

#### 7.4. PROBE LINEARITY UNCERTAINTY

Field probe linearity uncertainty includes errors from the assessment and compensation of the diode compression effects for CW and pulsed signals with known duty cycles. This error is assessed using the procedure described in IEEE 1528 / EN 62209-1. For SPEAG field probes, the measured difference between CW and pulsed signals, with pulse frequencies between 10Hz and 1kHz and duty cycles between 1 and 100, is  $< \pm 0.20\text{dB}$  ( $< \pm 4.7\%$ ).

#### 7.5. READOUT ELECTRONICS UNCERTAINTY

All uncertainties related to the probe readout electronics (DAE unit), including the gain and linearity of the instrumentation amplifier, its loading effect on the probe, and accuracy of the signal conversion algorithm, have been assessed accordingly to IEEE 1528 / EN 62209-1. The combination (root-sum-square RSS method) of these components results in an overall maximum error of  $\pm 1.0\%$ .

#### 7.6. RESPONSE TIME UNCERTAINTY

The time response of the field probes is assessed by exposing the probe to a well-controlled electric field producing SAR larger than  $2.0\text{W/kg}$  at the tissue medium surface. The signal response time is evaluated as the time required by the system to reach 90% of the expected final value after an on/of switch of the power source. Analytically, it can be expressed as:

$$SAR_{tolerance} [\%] = 100 \times \left( \frac{T_m}{T_m + \tau e^{-T_m/\tau}} - 1 \right)$$

where  $T_m$  is 500 ms, i.e., the time between measurement samples, and  $\tau$  the time constant. The response time  $\tau$  of SPEAG's probes is  $< 5\text{ms}$ . In the current implementation, DASY5 waits longer than 100 ms after having reached the grid point before starting a measurement, i.e., the response time uncertainty is negligible.

## 7.7. INTEGRATION TIME UNCERTAINTY

If the device under test does not emit a CW signal, the integration time applied to measure the electric field at a specific point may introduce additional uncertainties due to the discretization and can be assessed as follows

$$SAR_{tolerance} [\%] = 100 \times \sum_{all\ sub-frames} \frac{t_{frame}}{t_{integration}} \frac{slot_{idle}}{slot_{total}}$$

The tolerances for the different systems are given in Table 7.1, whereby the worst-case  $SAR_{tolerance}$  is 2.6%.

System	$SAR_{tolerance}$ %
CW	0
CDMA*	0
WCDMA*	0
FDMA	0
IS-136	2.6
PDC	2.6
GSM/DCS/PCS	1.7
DECT	1.9
Worst-Case	2.6

**TABLE 7.1**

## 7.8. PROBE POSITIONER MECHANICAL TOLERANCE

The mechanical tolerance of the field probe positioner can introduce probe positioning uncertainties. The resulting SAR uncertainty is assessed by comparing the SAR obtained according to the specifications of the probe positioner with respect to the actual position defined by the geometric center of the probe sensors. The tolerance is determined as:

$$SAR_{tolerance} [\%] = 100 \times \frac{d_{ph}}{\delta/2}$$

The specified repeatability of the RX robot family used in DASY5 systems is  $\pm 25\mu\text{m}$ . The absolute accuracy for short distance movements is better than  $\pm 0.1\text{mm}$ , i.e., the  $SAR_{tolerance}[\%]$  is better than 1.5% (rectangular).

## 7.9. PROBE POSITIONING

The probe positioning procedures affect the tolerance of the separation distance between the probe tip and the phantom surface as:

$$SAR_{tolerance} [\%] = 100 \times \frac{d_{ph}}{\delta/2}$$

where  $d_{ph}$  is the maximum deviation of the distance between the probe tip and the phantom surface. The optical surface detection has a precision of better than 0.2mm, resulting in an  $SAR_{tolerance}[\%]$  of <2.9% (rectangular distribution). Since the mechanical detection provides better accuracy, 2.9% is a worst-case figure for DASY5 system.

## 7.10. PHANTOM UNCERTAINTY

The SAR measurement uncertainty due to SPEAG phantom shell production tolerances has been evaluated using

$$SAR_{tolerance} [\%] \cong 100 \times \frac{2d}{a}, \quad d \ll a$$

For a maximum deviation  $d$  of the inner and outer shell of the phantom from that specified in the CAD file of  $\pm 0.2\text{mm}$ , and a 10mm spacing  $a$  between source and tissue liquid, the calculated phantom uncertainty is  $\pm 4.0\%$ .

**7.11. DASY5 UNCERTAINTY BUDGET (FOR 5 ~ 6GHz)**

Error Description	Tolerance (±%)	Probability Distribution	Divisor	(C <sub>i</sub> )		Standard Uncertainty (±%)		(v <sub>i</sub> )
				(1g)	(10g)	(1g)	(10g)	
<b>Measurement Equipment</b>								
Probe Calibration	6.55	Normal	1	1	1	6.55	6.55	∞
Axial Isotropy	4.70	Rectangular	$\sqrt{3}$	0.7	0.7	1.90	1.90	∞
Hemispherical Isotropy	9.60	Rectangular	$\sqrt{3}$	0.7	0.7	3.88	3.88	∞
Boundary effects	2.00	Rectangular	$\sqrt{3}$	1	1	1.15	1.15	∞
Linearity	4.70	Rectangular	$\sqrt{3}$	1	1	2.71	2.71	∞
System Detection Limits	1.00	Rectangular	$\sqrt{3}$	1	1	0.58	0.58	∞
Readout Electronics	0.30	Normal	1	1	1	0.30	0.30	∞
Response Time	0.80	Rectangular	$\sqrt{3}$	1	1	0.46	0.46	∞
Integration Time	2.60	Rectangular	$\sqrt{3}$	1	1	1.50	1.50	∞
RF Ambient Noise	3.00	Rectangular	$\sqrt{3}$	1	1	1.73	1.73	∞
RF Ambient Reflections	3.00	Rectangular	$\sqrt{3}$	1	1	1.73	1.73	∞
Probe Positioner	0.80	Rectangular	$\sqrt{3}$	1	1	0.46	0.46	∞
Probe Positioning	9.90	Rectangular	$\sqrt{3}$	1	1	5.72	5.72	∞
Max. SAR Eval.	4.00	Rectangular	$\sqrt{3}$	1	1	2.31	2.31	∞
<b>Test Sample Related</b>								
Device Positioning	0.89	Normal	1	1	1	0.89	0.89	9
Device Holder	3.60	Normal	1	1	1	3.60	3.60	5
Power Drift	5.00	Rectangular	$\sqrt{3}$	1	1	2.89	2.89	∞
<b>Phantom and Tissue parameters</b>								
Phantom Uncertainty	4.00	Rectangular	$\sqrt{3}$	1	1	2.31	2.31	∞
Liquid Conductivity (target)	5.00	Rectangular	$\sqrt{3}$	0.64	0.43	1.85	1.24	∞
Liquid Conductivity (measurement)	2.41	Normal	1	0.64	0.43	1.54	1.04	∞
Liquid Permittivity (target)	5.00	Rectangular	$\sqrt{3}$	0.6	0.49	1.73	1.41	∞
Liquid Permittivity (measurement)	2.36	Normal	1	0.6	0.49	1.42	1.16	∞
<b>Combined Standard Uncertainty</b>						<b>12.47</b>	<b>12.28</b>	
<b>Coverage Factor for 95%</b>						<b>kp=2</b>		
<b>Expanded Uncertainty (K=2)</b>						<b>24.95</b>	<b>24.56</b>	

**TABLE 7.2**

The table 7.2: Worst-Case uncertainty budget for DASY5 assessed according to IEEE 1528. The budget is valid for the frequency range 300MHz ~ 3GHz and represents a worst-case analysis. For specific tests and configurations, the uncertainty could be considerable smaller.



## 8. INFORMATION ON THE TESTING LABORATORIES

We, Bureau Veritas Consumer Products Services (H.K.) Ltd., Taoyuan Branch, were founded in 1988 to provide our best service in EMC, Radio, Telecom and Safety consultation. Our laboratories are accredited and approved by the following approval agencies according to ISO/IEC 17025.

<b>USA</b>	FCC, NVLAP
<b>GERMANY</b>	TUV Rheinland
<b>JAPAN</b>	VCCI
<b>NORWAY</b>	NEMKO
<b>CANADA</b>	INDUSTRY CANADA, CSA
<b>R.O.C.</b>	TAF, BSMI, NCC
<b>NETHERLANDS</b>	Telefication
<b>SINGAPORE</b>	GOST-ASIA (MOU)
<b>RUSSIA</b>	CERTIS (MOU)

Copies of accreditation certificates of our laboratories obtained from approval agencies can be downloaded from our web site: [www.adt.com.tw/index.5/phtml](http://www.adt.com.tw/index.5/phtml). If you have any comments, please feel free to contact us at the following:

**Linko EMC/RF Lab:**  
Tel: 886-2-26052180  
Fax: 886-2-26051924

**Hsin Chu EMC/RF Lab:**  
Tel: 886-3-5935343  
Fax: 886-3-5935342

**Hwa Ya EMC/RF/Safety/Telecom Lab:**  
Tel: 886-3-3183232  
Fax: 886-3-3185050

**Web Site:** [www.adt.com.tw](http://www.adt.com.tw)

The address and road map of all our labs can be found in our web site also.

---END---

# APPENDIX A: TEST DATA

Liquid Level Photo

Tissue MSL5800MHz D=151mm



Test Laboratory: Bureau Veritas ADT

## M01-Body Front 11A Ch40

### DUT: Wireless Dual Band 802.11 a/b/g/n USB adapter ; Type: EUB9801

Communication System: 802.11a ; Frequency: 5200 MHz ; Duty Cycle: 1:1 ; Modulation type: BPSK  
Medium: MSL5800 Medium parameters used:  $f = 5200$  MHz;  $\sigma = 5.37$  mho/m;  $\epsilon_r = 49.6$ ;  $\rho = 1000$  kg/m<sup>3</sup>  
Phantom section: Flat Section ; Separation distance : 5 mm (The front side of the EUT to the Phantom)

#### DASY5 Configuration:

- Probe: EX3DV4 - SN3590 ; ConvF(5.01, 5.01, 5.01) ; Calibrated: 2009/4/28
- Sensor-Surface: 3mm (Mechanical Surface Detection)
- Electronics: DAE4 Sn861 ; Calibrated: 2008/9/22
- Phantom: SAM with CRP ; Type: SAM ; Serial: TP-1485
- Measurement SW: DASY5, V5.0 Build 125 ; SEMCAD X Version 13.4 Build 125

**Low Channel 40/Area Scan (5x9x1):** Measurement grid: dx=10mm, dy=10mm  
Maximum value of SAR (measured) = 0.623 mW/g

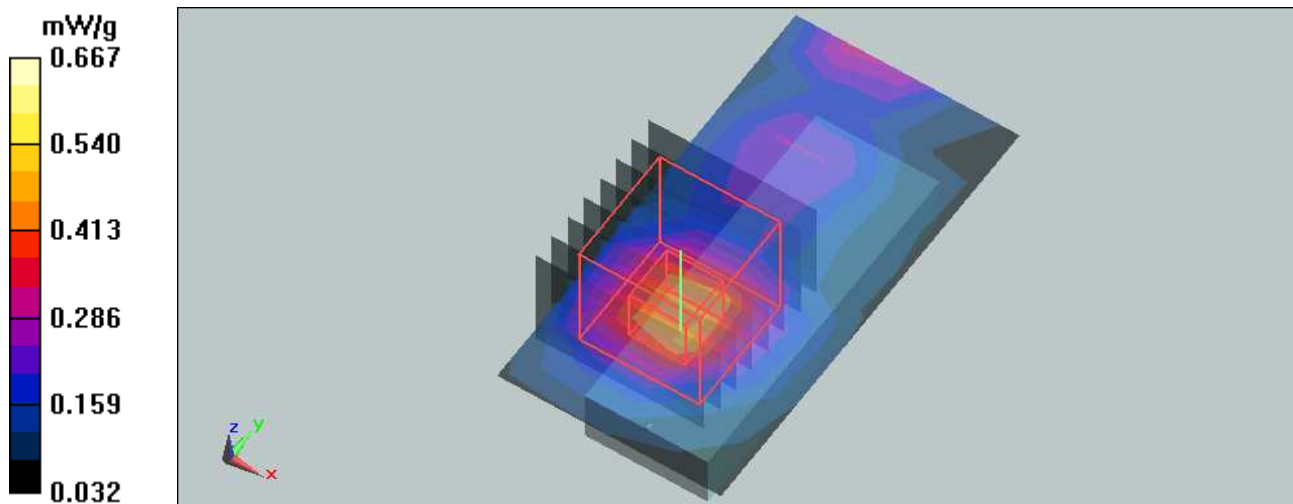
**Low Channel 40/Zoom Scan (8x8x8)/Cube 0:** Measurement grid: dx=4.3mm, dy=4.3mm, dz=3mm

Reference Value = 5.81 V/m; Power Drift = -0.17 dB

Peak SAR (extrapolated) = 1.39 W/kg

**SAR(1 g) = 0.497 mW/g; SAR(10 g) = 0.220 mW/g**

Maximum value of SAR (measured) = 0.667 mW/g



Test Laboratory: Bureau Veritas ADT

## M02-Body Bottom 11A Ch40

**DUT: Wireless Dual Band 802.11 a/b/g/n USB adapter ; Type: EUB9801**

Communication System: 802.11a ; Frequency: 5200 MHz ; Duty Cycle: 1:1 ; Modulation type: BPSK  
Medium: MSL5800 Medium parameters used:  $f = 5200$  MHz;  $\sigma = 5.37$  mho/m;  $\epsilon_r = 49.6$ ;  $\rho = 1000$  kg/m<sup>3</sup>  
Phantom section: Flat Section ; Separation distance : 5 mm (The front side of the EUT to the Phantom)

DASY5 Configuration:

- Probe: EX3DV4 - SN3590 ; ConvF(5.01, 5.01, 5.01) ; Calibrated: 2009/4/28
- Sensor-Surface: 3mm (Mechanical Surface Detection)
- Electronics: DAE4 Sn861 ; Calibrated: 2008/9/22
- Phantom: SAM with CRP ; Type: SAM ; Serial: TP-1485
- Measurement SW: DASY5, V5.0 Build 125 ; SEMCAD X Version 13.4 Build 125

**Low Channel 40 /Area Scan (5x9x1):** Measurement grid: dx=10mm, dy=10mm  
Maximum value of SAR (measured) = 0.652 mW/g

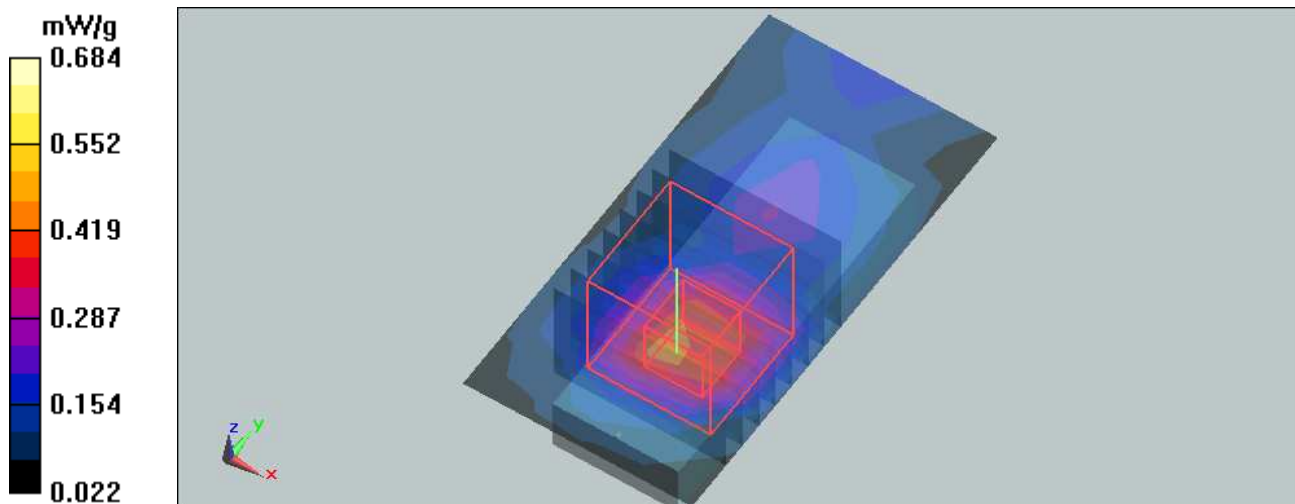
**Low Channel 40 /Zoom Scan (8x8x8)/Cube 0:** Measurement grid: dx=4.3mm, dy=4.3mm, dz=3mm

Reference Value = 6.97 V/m; Power Drift = -0.135dB

Peak SAR (extrapolated) = 1.5 W/kg

**SAR(1 g) = 0.508 mW/g; SAR(10 g) = 0.210 mW/g**

Maximum value of SAR (measured) = 0.684 mW/g



Test Laboratory: Bureau Veritas ADT

### M03-Body Edge R 11A Ch40

**DUT: Wireless Dual Band 802.11 a/b/g/n USB adapter ; Type: EUB9801**

Communication System: 802.11a ; Frequency: 5200 MHz ; Duty Cycle: 1:1 ; Modulation type: BPSK  
 Medium: MSL5800 Medium parameters used:  $f = 5200$  MHz;  $\sigma = 5.37$  mho/m;  $\epsilon_r = 49.6$ ;  $\rho = 1000$  kg/m<sup>3</sup>  
 Phantom section: Flat Section ; Separation distance : 5 mm (The front side of the EUT to the Phantom)

DASY5 Configuration:

- Probe: EX3DV4 - SN3590 ; ConvF(5.01, 5.01, 5.01) ; Calibrated: 2009/4/28
- Sensor-Surface: 3mm (Mechanical Surface Detection)
- Electronics: DAE4 Sn861 ; Calibrated: 2008/9/22
- Phantom: SAM with CRP ; Type: SAM ; Serial: TP-1485
- Measurement SW: DASY5, V5.0 Build 125 ; SEMCAD X Version 13.4 Build 125

**Low Channel 40/Area Scan (5x9x1):** Measurement grid: dx=10mm, dy=10mm  
 Maximum value of SAR (measured) = 0.440 mW/g

**Low Channel 40/Zoom Scan (8x8x8)/Cube 0:** Measurement grid: dx=4.3mm, dy=4.3mm, dz=3mm

Reference Value = 5.18 V/m; Power Drift = -0.082 dB

Peak SAR (extrapolated) = 0.920 W/kg

**SAR(1 g) = 0.313 mW/g; SAR(10 g) = 0.128 mW/g**

Maximum value of SAR (measured) = 0.441 mW/g

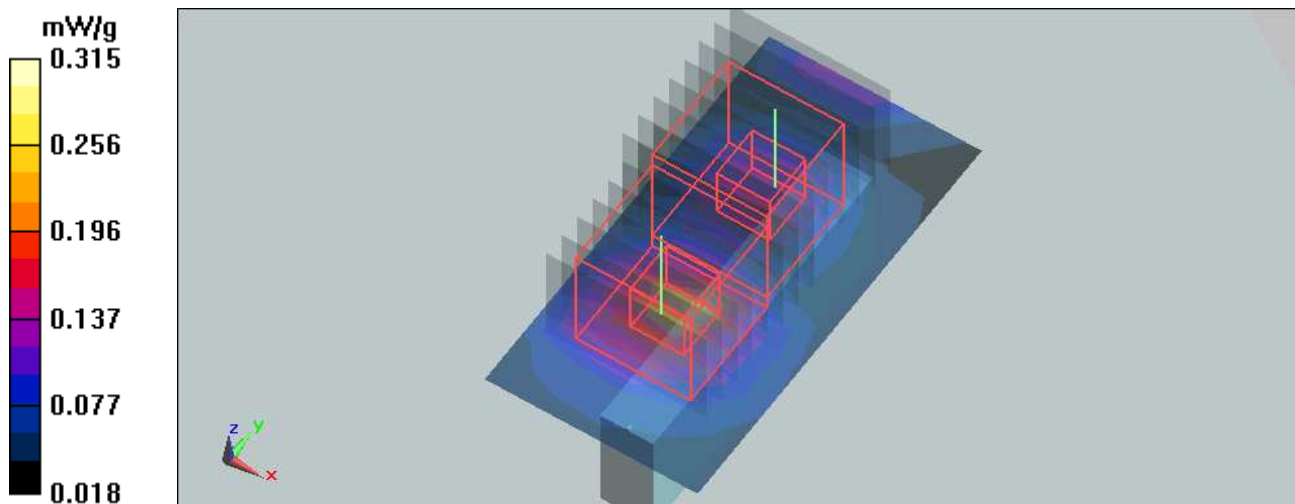
**Low Channel 40/Zoom Scan (8x8x8)/Cube 1:** Measurement grid: dx=4.3mm, dy=4.3mm, dz=3mm

Reference Value = 5.18 V/m; Power Drift = -0.082 dB

Peak SAR (extrapolated) = 0.758 W/kg

**SAR(1 g) = 0.232 mW/g; SAR(10 g) = 0.095 mW/g**

Maximum value of SAR (measured) = 0.315 mW/g



Test Laboratory: Bureau Veritas ADT

## M04-Body Edge L 11A Ch40

**DUT: Wireless Dual Band 802.11 a/b/g/n USB adapter ; Type: EUB9801**

Communication System: 802.11a ; Frequency: 5200 MHz ; Duty Cycle: 1:1 ; Modulation type: BPSK  
 Medium: MSL5800 Medium parameters used:  $f = 5200$  MHz;  $\sigma = 5.37$  mho/m;  $\epsilon_r = 49.6$ ;  $\rho = 1000$  kg/m<sup>3</sup>  
 Phantom section: Flat Section ; Separation distance : 5 mm (The front side of the EUT to the Phantom)

DASY5 Configuration:

- Probe: EX3DV4 - SN3590 ; ConvF(5.01, 5.01, 5.01) ; Calibrated: 2009/4/28
- Sensor-Surface: 3mm (Mechanical Surface Detection)
- Electronics: DAE4 Sn861 ; Calibrated: 2008/9/22
- Phantom: SAM with CRP ; Type: SAM ; Serial: TP-1485
- Measurement SW: DASY5, V5.0 Build 125 ; SEMCAD X Version 13.4 Build 125

**Low Channel 40/Area Scan (5x9x1):** Measurement grid: dx=10mm, dy=10mm  
 Maximum value of SAR (measured) = 0.335 mW/g

**Low Channel 40/Zoom Scan (8x8x8)/Cube 0:** Measurement grid: dx=4.3mm, dy=4.3mm, dz=3mm

Reference Value = 5.26 V/m; Power Drift = -0.021 dB

Peak SAR (extrapolated) = 0.753 W/kg

**SAR(1 g) = 0.248 mW/g; SAR(10 g) = 0.106 mW/g**

Maximum value of SAR (measured) = 0.342 mW/g

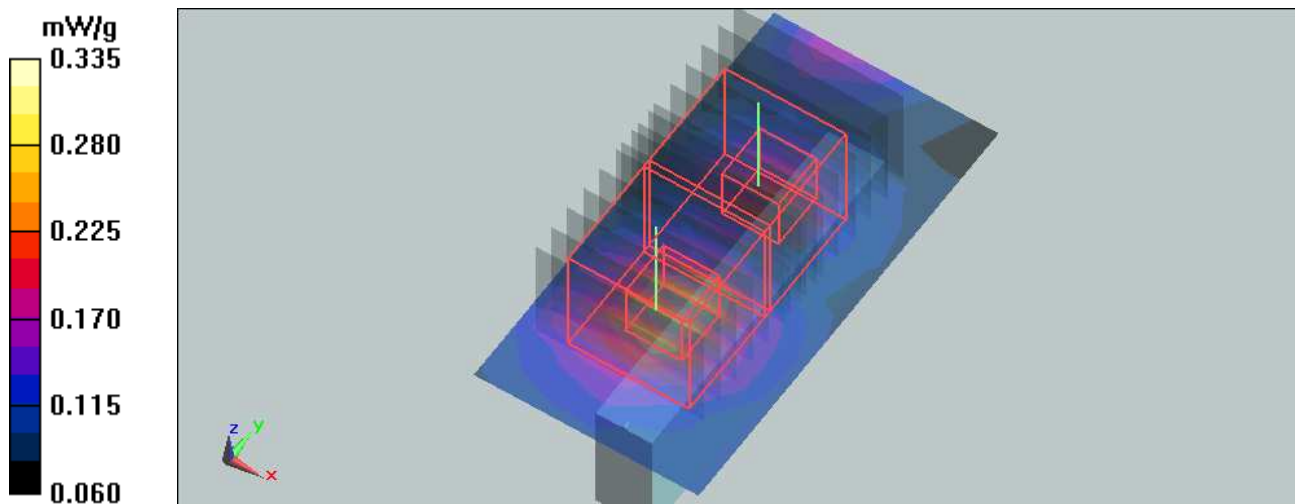
**Low Channel 40/Zoom Scan (8x8x8)/Cube 1:** Measurement grid: dx=4.3mm, dy=4.3mm, dz=3mm

Reference Value = 5.26 V/m; Power Drift = -0.021 dB

Peak SAR (extrapolated) = 0.752 W/kg

**SAR(1 g) = 0.181 mW/g; SAR(10 g) = 0.077 mW/g**

Maximum value of SAR (measured) = 0.255 mW/g



Test Laboratory: Bureau Veritas ADT

## M05-Body Front 11AN 20MHz Ch40

**DUT: Wireless Dual Band 802.11 a/b/g/n USB adapter ; Type: EUB9801**

Communication System: 11n 5G span20 ; Frequency: 5200 MHz ; Duty Cycle: 1:1 ; Modulation type: BPSK

Medium: MSL5800 Medium parameters used:  $f = 5200$  MHz;  $\sigma = 5.37$  mho/m;  $\epsilon_r = 49.6$ ;  $\rho = 1000$  kg/m<sup>3</sup>

Phantom section: Flat Section ; Separation distance : 5 mm (The front side of the EUT to the Phantom)

DASY5 Configuration:

- Probe: EX3DV4 - SN3590 ; ConvF(5.01, 5.01, 5.01) ; Calibrated: 2009/4/28
- Sensor-Surface: 3mm (Mechanical Surface Detection)
- Electronics: DAE4 Sn861 ; Calibrated: 2008/9/22
- Phantom: SAM with CRP ; Type: SAM ; Serial: TP-1485
- Measurement SW: DASY5, V5.0 Build 125 ; SEMCAD X Version 13.4 Build 125

**Low Channel 40/Area Scan (5x9x1):** Measurement grid: dx=10mm, dy=10mm

Maximum value of SAR (measured) = 0.783 mW/g

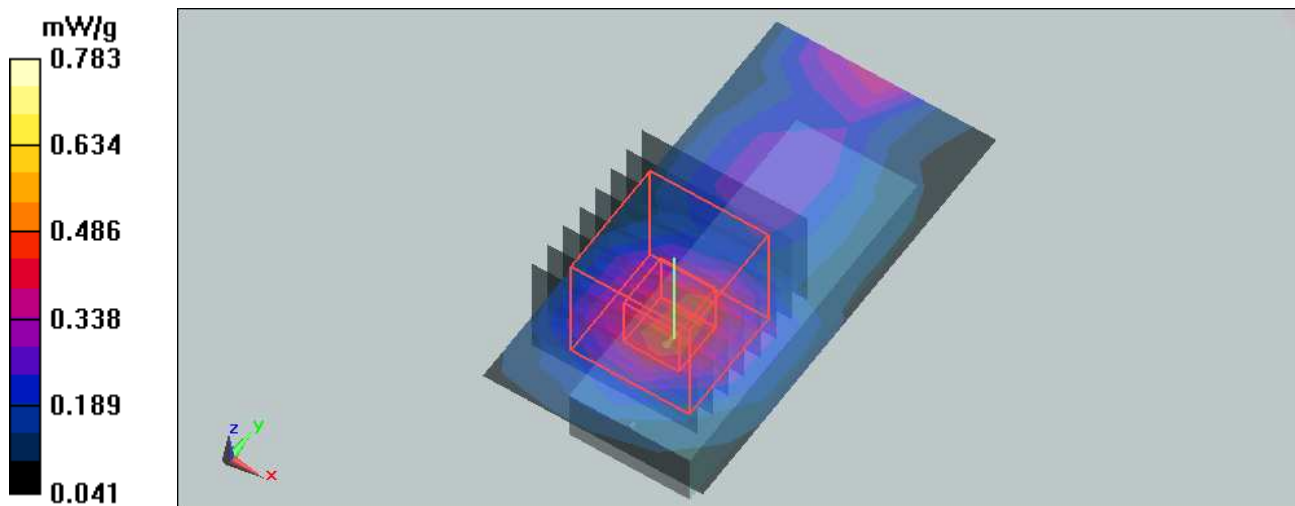
**Low Channel 40/Zoom Scan (8x8x8)/Cube 0:** Measurement grid: dx=4.3mm, dy=4.3mm, dz=3mm

Reference Value = 7.59 V/m; Power Drift = -0.096 dB

Peak SAR (extrapolated) = 1.79 W/kg

SAR(1 g) = **0.577** mW/g; SAR(10 g) = 0.243 mW/g

Maximum value of SAR (measured) = 0.763 mW/g





Test Laboratory: Bureau Veritas ADT

## M06-Body Bottom 11AN 20MHz Ch40

**DUT: Wireless Dual Band 802.11 a/b/g/n USB adapter ; Type: EUB9801**

Communication System: 11n 5G span20 ; Frequency: 5200 MHz ; Duty Cycle: 1:1 ; Modulation type: BPSK

Medium: MSL5800 Medium parameters used:  $f = 5200$  MHz;  $\sigma = 5.37$  mho/m;  $\epsilon_r = 49.6$ ;  $\rho = 1000$  kg/m<sup>3</sup>

Phantom section: Flat Section ; Separation distance : 5 mm (The front side of the EUT to the Phantom)

DASY5 Configuration:

- Probe: EX3DV4 - SN3590 ; ConvF(5.01, 5.01, 5.01) ; Calibrated: 2009/4/28
- Sensor-Surface: 3mm (Mechanical Surface Detection)
- Electronics: DAE4 Sn861 ; Calibrated: 2008/9/22
- Phantom: SAM with CRP ; Type: SAM ; Serial: TP-1485
- Measurement SW: DASY5, V5.0 Build 125 ; SEMCAD X Version 13.4 Build 125

**Low Channel 40/Area Scan (5x9x1):** Measurement grid: dx=10mm, dy=10mm

Maximum value of SAR (measured) = 0.856 mW/g

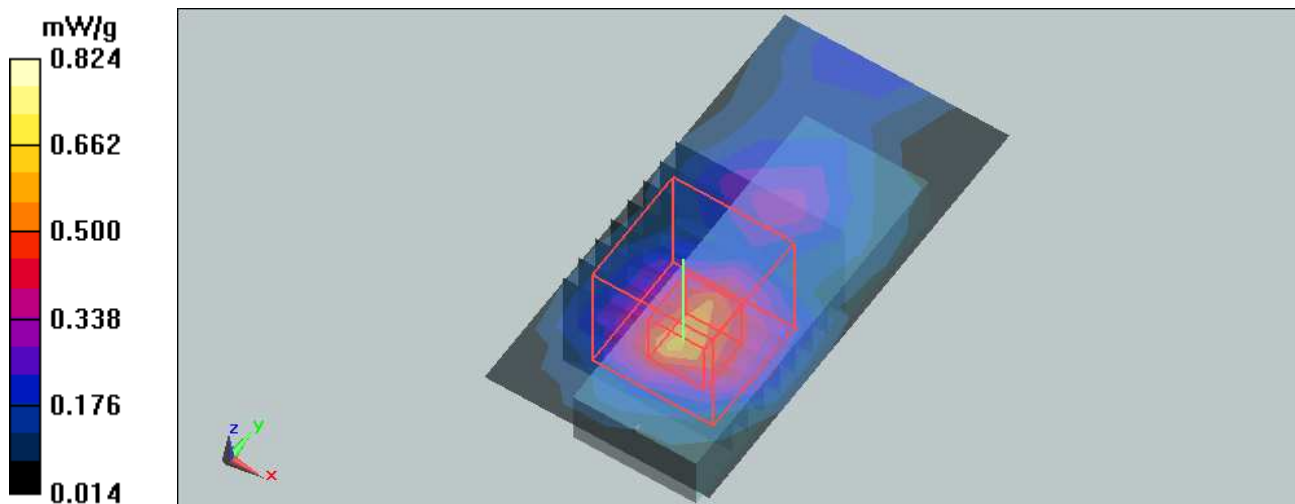
**Low Channel 40/Zoom Scan (8x8x8)/Cube 0:** Measurement grid: dx=4.3mm, dy=4.3mm, dz=3mm

Reference Value = 8.05 V/m; Power Drift = -0.067 dB

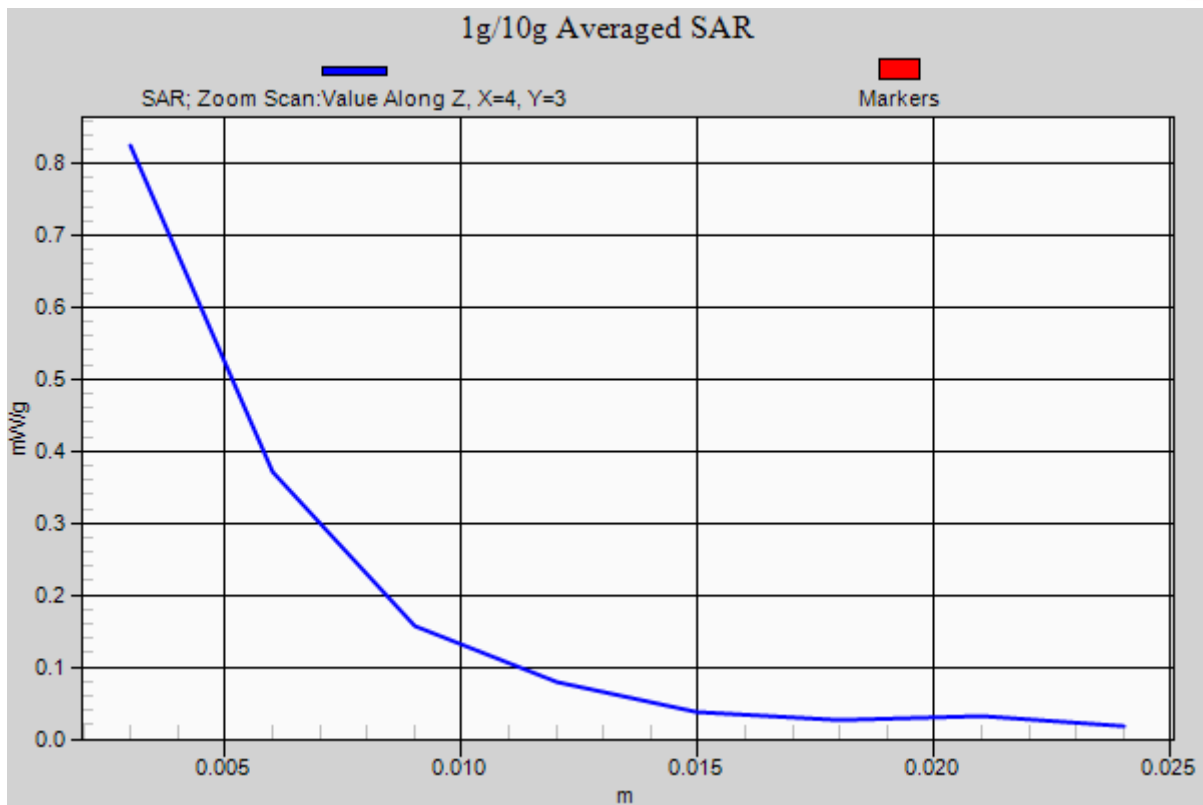
Peak SAR (extrapolated) = 1.72 W/kg

**SAR(1 g) = 0.598 mW/g; SAR(10 g) = 0.234 mW/g**

Maximum value of SAR (measured) = 0.824 mW/g







Test Laboratory: Bureau Veritas ADT

## M07-Body Edge R 11AN 20MHz Ch40

**DUT: Wireless Dual Band 802.11 a/b/g/n USB adapter ; Type: EUB9801**

Communication System: 11n 5G span20 ; Frequency: 5200 MHz ; Duty Cycle: 1:1 ; Modulation type: BPSK

Medium: MSL5800 Medium parameters used:  $f = 5200$  MHz;  $\sigma = 5.37$  mho/m;  $\epsilon_r = 49.6$ ;  $\rho = 1000$  kg/m<sup>3</sup>

Phantom section: Flat Section ; Separation distance : 5 mm (The front side of the EUT to the Phantom)

DASY5 Configuration:

- Probe: EX3DV4 - SN3590 ; ConvF(5.01, 5.01, 5.01) ; Calibrated: 2009/4/28
- Sensor-Surface: 3mm (Mechanical Surface Detection)
- Electronics: DAE4 Sn861 ; Calibrated: 2008/9/22
- Phantom: SAM with CRP ; Type: SAM ; Serial: TP-1485
- Measurement SW: DASY5, V5.0 Build 125 ; SEMCAD X Version 13.4 Build 125

**Low Channel 40/Area Scan (5x9x1):** Measurement grid: dx=10mm, dy=10mm

Maximum value of SAR (measured) = 0.668 mW/g

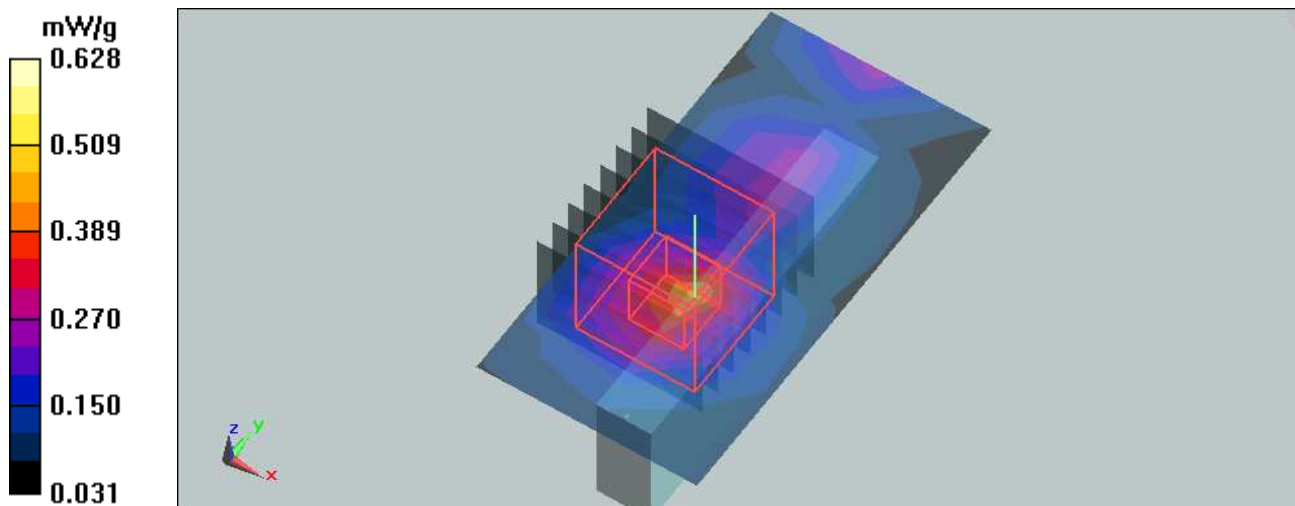
**Low Channel 40/Zoom Scan (8x8x8)/Cube 0:** Measurement grid: dx=4.3mm, dy=4.3mm, dz=3mm

Reference Value = 7.34 V/m; Power Drift = -0.179 dB

Peak SAR (extrapolated) = 1.32 W/kg

**SAR(1 g) = 0.453 mW/g; SAR(10 g) = 0.185 mW/g**

Maximum value of SAR (measured) = 0.628 mW/g



Test Laboratory: Bureau Veritas ADT

## M08-Body Edge L 11AN 20MHz Ch40

**DUT: Wireless Dual Band 802.11 a/b/g/n USB adapter ; Type: EUB9801**

Communication System: 11n 5G span20 ; Frequency: 5200 MHz ; Duty Cycle: 1:1 ; Modulation type: BPSK

Medium: MSL5800 Medium parameters used:  $f = 5200$  MHz;  $\sigma = 5.37$  mho/m;  $\epsilon_r = 49.6$ ;  $\rho = 1000$  kg/m<sup>3</sup>

Phantom section: Flat Section ; Separation distance : 5 mm (The front side of the EUT to the Phantom)

DASY5 Configuration:

- Probe: EX3DV4 - SN3590 ; ConvF(5.01, 5.01, 5.01) ; Calibrated: 2009/4/28
- Sensor-Surface: 3mm (Mechanical Surface Detection)
- Electronics: DAE4 Sn861 ; Calibrated: 2008/9/22
- Phantom: SAM with CRP ; Type: SAM ; Serial: TP-1485
- Measurement SW: DASY5, V5.0 Build 125 ; SEMCAD X Version 13.4 Build 125

**Low Channel 40/Area Scan (5x9x1):** Measurement grid: dx=10mm, dy=10mm

Maximum value of SAR (measured) = 0.522 mW/g

**Low Channel 40/Zoom Scan (8x8x8)/Cube 0:** Measurement grid: dx=4.3mm, dy=4.3mm, dz=3mm

Reference Value = 5.61 V/m; Power Drift = -0.159 dB

Peak SAR (extrapolated) = 1.14 W/kg

**SAR(1 g) = 0.353 mW/g; SAR(10 g) = 0.129 mW/g**

Maximum value of SAR (measured) = 0.508 mW/g

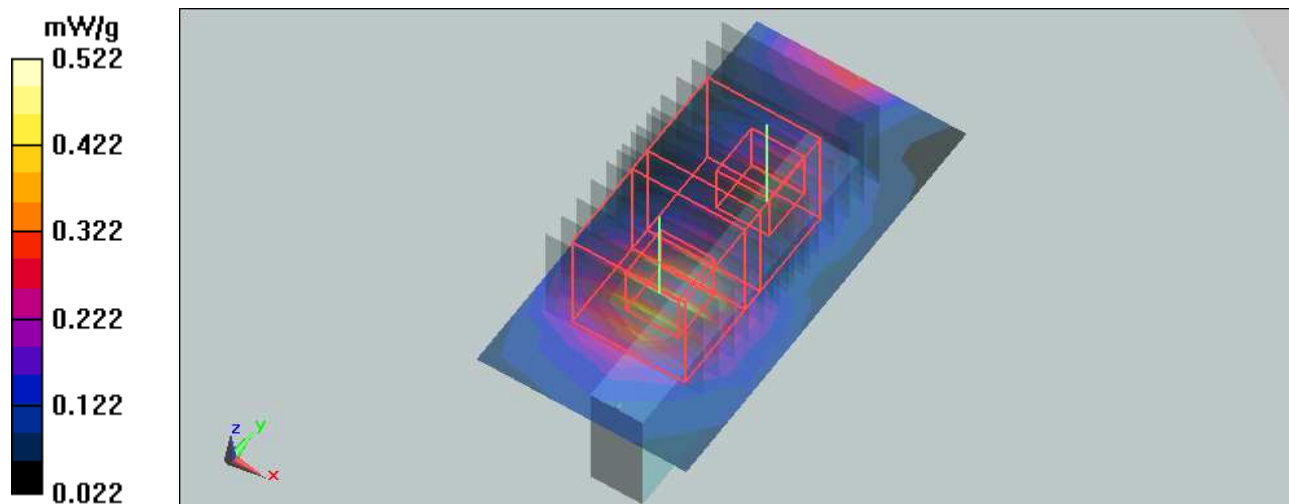
**Low Channel 40/Zoom Scan (8x8x8)/Cube 1:** Measurement grid: dx=4.3mm, dy=4.3mm, dz=3mm

Reference Value = 5.61 V/m; Power Drift = -0.159 dB

Peak SAR (extrapolated) = 0.963 W/kg

**SAR(1 g) = 0.260 mW/g; SAR(10 g) = 0.096 mW/g**

Maximum value of SAR (measured) = 0.411 mW/g



Test Laboratory: Bureau Veritas ADT

## M09-Body Front 11AN 40MHz Ch46

**DUT: Wireless Dual Band 802.11 a/b/g/n USB adapter ; Type: EUB9801**

Communication System: 11n 5G span40 ; Frequency: 5230 MHz ; Duty Cycle: 1:1 ; Modulation type: BPSK

Medium: MSL5800 Medium parameters used:  $f = 5230$  MHz;  $\sigma = 5.37$  mho/m;  $\epsilon_r = 49.6$ ;  $\rho = 1000$  kg/m<sup>3</sup>

Phantom section: Flat Section ; Separation distance : 5 mm (The front side of the EUT to the Phantom)

DASY5 Configuration:

- Probe: EX3DV4 - SN3590 ; ConvF(5.01, 5.01, 5.01) ; Calibrated: 2009/4/28
- Sensor-Surface: 3mm (Mechanical Surface Detection)
- Electronics: DAE4 Sn861 ; Calibrated: 2008/9/22
- Phantom: SAM with CRP ; Type: SAM ; Serial: TP-1485
- Measurement SW: DASY5, V5.0 Build 125 ; SEMCAD X Version 13.4 Build 125

**Low Channel 46/Area Scan (5x9x1):** Measurement grid: dx=10mm, dy=10mm

Maximum value of SAR (measured) = 0.713 mW/g

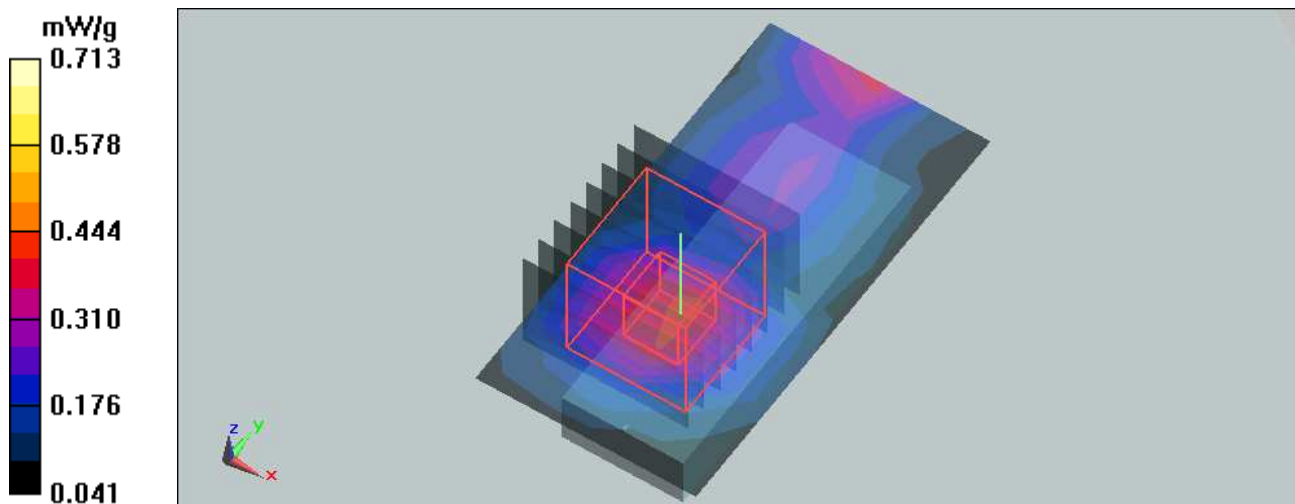
**Low Channel 46/Zoom Scan (8x8x8)/Cube 0:** Measurement grid: dx=4.3mm, dy=4.3mm, dz=3mm

Reference Value = 6.64 V/m; Power Drift = -0.163 dB

Peak SAR (extrapolated) = 1.61 W/kg

SAR(1 g) = **0.556** mW/g; SAR(10 g) = 0.232 mW/g

Maximum value of SAR (measured) = 0.772 mW/g



Test Laboratory: Bureau Veritas ADT

## M10-Body Bottom 11AN 40MHz Ch46

**DUT: Wireless Dual Band 802.11 a/b/g/n USB adapter ; Type: EUB9801**

Communication System: 11n 5G span40 ; Frequency: 5230 MHz ; Duty Cycle: 1:1 ; Modulation type: BPSK

Medium: MSL5800 Medium parameters used:  $f = 5230 \text{ MHz}$ ;  $\sigma = 5.37 \text{ mho/m}$ ;  $\epsilon_r = 49.6$ ;  $\rho = 1000 \text{ kg/m}^3$

Phantom section: Flat Section ; Separation distance : 5 mm (The front side of the EUT to the Phantom)

DASY5 Configuration:

- Probe: EX3DV4 - SN3590 ; ConvF(5.01, 5.01, 5.01) ; Calibrated: 2009/4/28
- Sensor-Surface: 3mm (Mechanical Surface Detection)
- Electronics: DAE4 Sn861 ; Calibrated: 2008/9/22
- Phantom: SAM with CRP ; Type: SAM ; Serial: TP-1485
- Measurement SW: DASY5, V5.0 Build 125 ; SEMCAD X Version 13.4 Build 125

**Low Channel 46/Area Scan (5x9x1):** Measurement grid: dx=10mm, dy=10mm

Maximum value of SAR (measured) = 0.826 mW/g

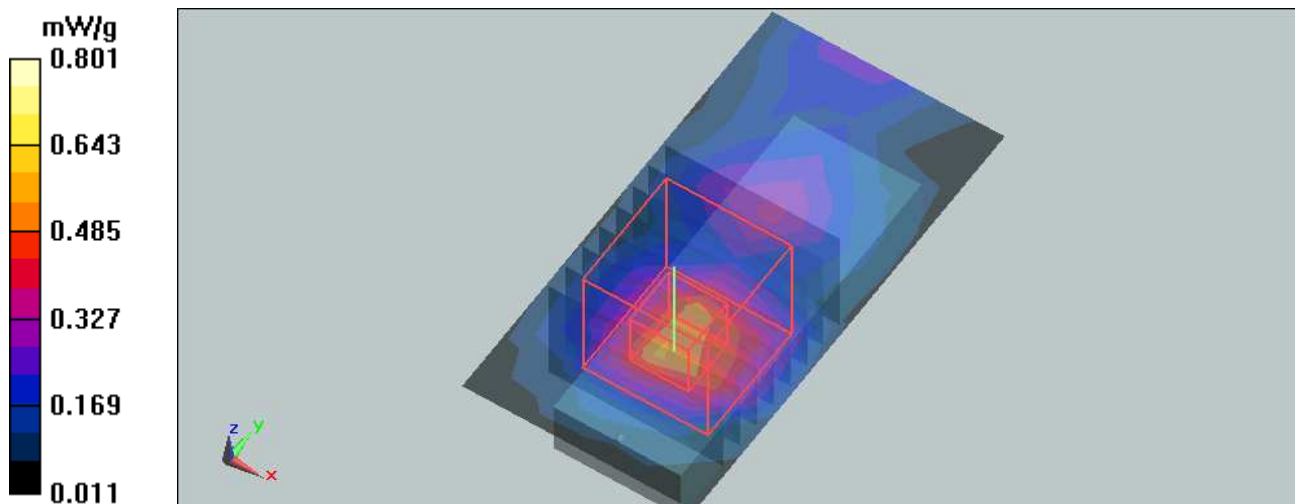
**Low Channel 46/Zoom Scan (8x8x8)/Cube 0:** Measurement grid: dx=4.3mm, dy=4.3mm, dz=3mm

Reference Value = 8 V/m; Power Drift = -0.147 dB

Peak SAR (extrapolated) = 1.78 W/kg

**SAR(1 g) = 0.587 mW/g; SAR(10 g) = 0.227 mW/g**

Maximum value of SAR (measured) = 0.801 mW/g



Test Laboratory: Bureau Veritas ADT

## M11-Body Edge R 11AN 40MHz Ch46

**DUT: Wireless Dual Band 802.11 a/b/g/n USB adapter ; Type: EUB9801**

Communication System: 11n 5G span40 ; Frequency: 5230 MHz ; Duty Cycle: 1:1 ; Modulation type: BPSK

Medium: MSL5800 Medium parameters used:  $f = 5230$  MHz;  $\sigma = 5.37$  mho/m;  $\epsilon_r = 49.6$ ;  $\rho = 1000$  kg/m<sup>3</sup>

Phantom section: Flat Section ; Separation distance : 5 mm (The front side of the EUT to the Phantom)

DASY5 Configuration:

- Probe: EX3DV4 - SN3590 ; ConvF(5.01, 5.01, 5.01) ; Calibrated: 2009/4/28
- Sensor-Surface: 3mm (Mechanical Surface Detection)
- Electronics: DAE4 Sn861 ; Calibrated: 2008/9/22
- Phantom: SAM with CRP ; Type: SAM ; Serial: TP-1485
- Measurement SW: DASY5, V5.0 Build 125 ; SEMCAD X Version 13.4 Build 125

**Low Channel 46/Area Scan (5x9x1):** Measurement grid: dx=10mm, dy=10mm

Maximum value of SAR (measured) = 0.595 mW/g

**Low Channel 46/Zoom Scan (8x8x8)/Cube 0:** Measurement grid: dx=4.3mm, dy=4.3mm, dz=3mm

Reference Value = 5.66 V/m; Power Drift = -0.068 dB

Peak SAR (extrapolated) = 1.44 W/kg

**SAR(1 g) = 0.440 mW/g; SAR(10 g) = 0.162 mW/g**

Maximum value of SAR (measured) = 0.612 mW/g

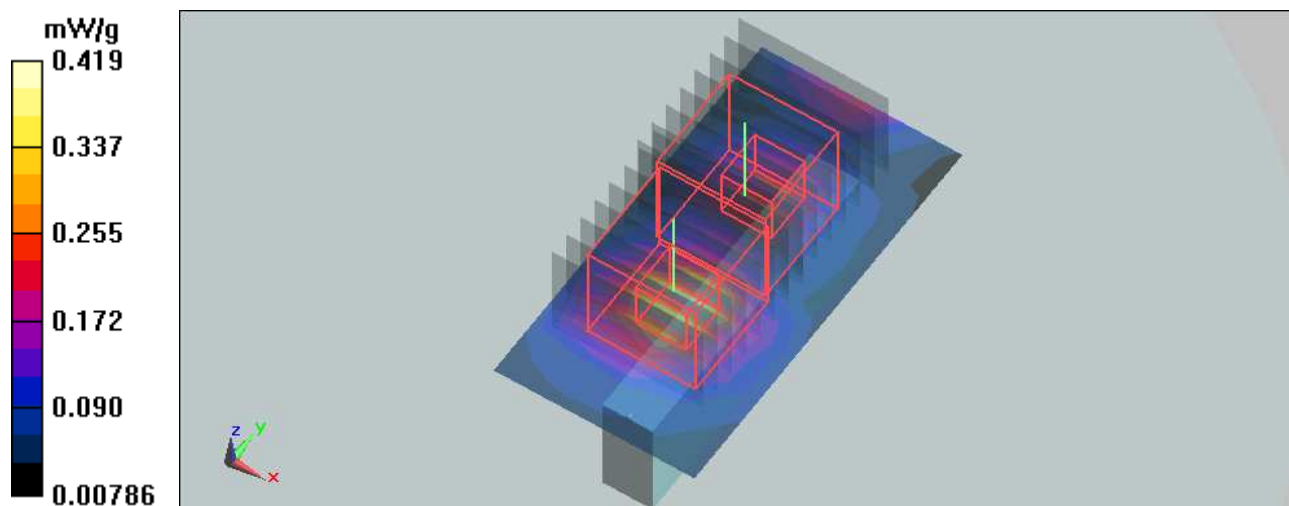
**Low Channel 46/Zoom Scan (8x8x8)/Cube 1:** Measurement grid: dx=4.3mm, dy=4.3mm, dz=3mm

Reference Value = 5.66 V/m; Power Drift = -0.068 dB

Peak SAR (extrapolated) = 1.01 W/kg

**SAR(1 g) = 0.302 mW/g; SAR(10 g) = 0.111 mW/g**

Maximum value of SAR (measured) = 0.419 mW/g



Test Laboratory: Bureau Veritas ADT

## M12-Body Edge L 11AN 40MHz Ch46

**DUT: Wireless Dual Band 802.11 a/b/g/n USB adapter ; Type: EUB9801**

Communication System: 11n 5G span40 ; Frequency: 5230 MHz ; Duty Cycle: 1:1 ; Modulation type: BPSK

Medium: MSL5800 Medium parameters used:  $f = 5230$  MHz;  $\sigma = 5.37$  mho/m;  $\epsilon_r = 49.6$ ;  $\rho = 1000$  kg/m<sup>3</sup>

Phantom section: Flat Section ; Separation distance : 5 mm (The front side of the EUT to the Phantom)

DASY5 Configuration:

- Probe: EX3DV4 - SN3590 ; ConvF(5.01, 5.01, 5.01) ; Calibrated: 2009/4/28
- Sensor-Surface: 3mm (Mechanical Surface Detection)
- Electronics: DAE4 Sn861 ; Calibrated: 2008/9/22
- Phantom: SAM with CRP ; Type: SAM ; Serial: TP-1485
- Measurement SW: DASY5, V5.0 Build 125 ; SEMCAD X Version 13.4 Build 125

**Low Channel 46/Area Scan (5x9x1):** Measurement grid: dx=10mm, dy=10mm

Maximum value of SAR (measured) = 0.483 mW/g

**Low Channel 46/Zoom Scan (8x8x8)/Cube 0:** Measurement grid: dx=4.3mm, dy=4.3mm, dz=3mm

Reference Value = 5.19 V/m; Power Drift = -0.026 dB

Peak SAR (extrapolated) = 1.16 W/kg

**SAR(1 g) = 0.347 mW/g; SAR(10 g) = 0.127 mW/g**

Maximum value of SAR (measured) = 0.482 mW/g

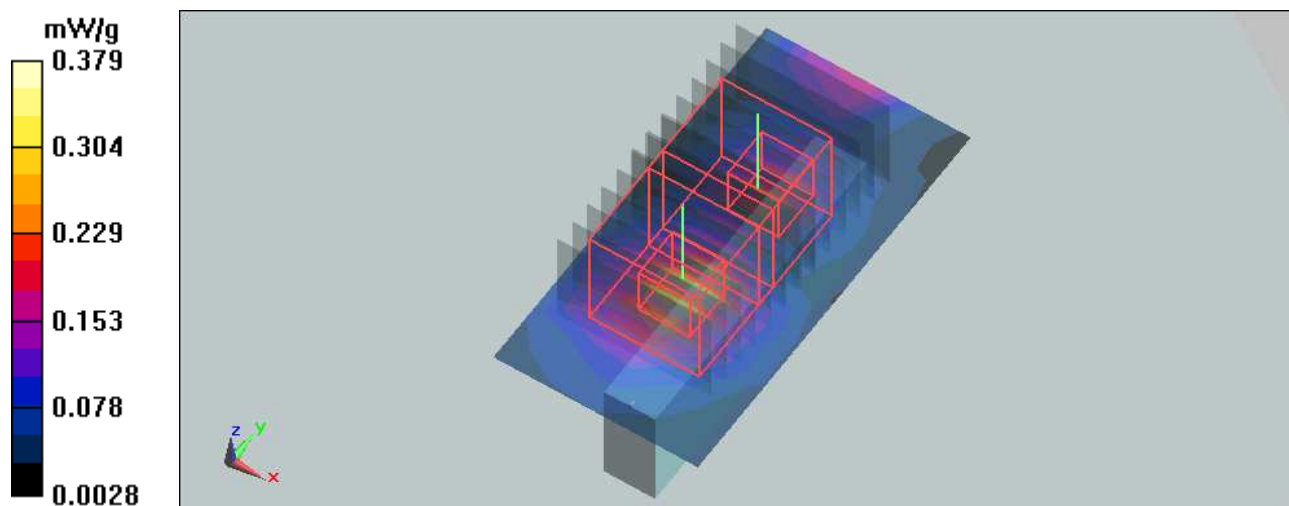
**Low Channel 46/Zoom Scan (8x8x8)/Cube 1:** Measurement grid: dx=4.3mm, dy=4.3mm, dz=3mm

Reference Value = 5.19 V/m; Power Drift = -0.026 dB

Peak SAR (extrapolated) = 0.904 W/kg

**SAR(1 g) = 0.263 mW/g; SAR(10 g) = 0.098 mW/g**

Maximum value of SAR (measured) = 0.379 mW/g





Test Laboratory: Bureau Veritas ADT

## System validation MSL 5200MHz

**DUT: Dipole 5 GHz ; Type: D5GHzV2 ; Serial: 1019 ; Test Frequency: 5200 MHz**

Communication System: CW ; Frequency: 5200 MHz; Duty Cycle: 1:1; Modulation type: CW  
Medium: MSL5800; Medium parameters used:  $f = 5200$  MHz;  $\sigma = 5.37$  mho/m;  $\epsilon_r = 49.6$ ;  $\rho = 1000$  kg/m<sup>3</sup> ; Liquid level : 151 mm

Phantom section: Flat Section ; Separation distance : 10 mm (The feetpoint of the dipole to the Phantom) Air temp. : 23.1 degrees ; Liquid temp. : 22.8 degrees

DASY5 Configuration:

- Probe: EX3DV4 - SN3590 ; ConvF(5.01, 5.01, 5.01) ; Calibrated: 2009/4/28
- Sensor-Surface: 3mm (Mechanical Surface Detection)
- Electronics: DAE4 Sn861; Calibrated: 2008/9/22
- Phantom: SAM with CRP; Type: SAM; Serial: TP-1485
- Measurement SW: DASY5, V5.0 Build 125; SEMCAD X Version 13.4 Build 125

**f=5200, d=10mm, Pin=100mW/Area Scan (6x6x1):** Measurement grid: dx=10mm, dy=10mm  
Maximum value of SAR (measured) = 9.76 mW/g

**f=5200, d=10mm, Pin=100mW/Zoom Scan (8x8x8)/Cube 0:** Measurement grid: dx=4.3mm, dy=4.3mm, dz=3mm

Reference Value = 46.9 V/m; Power Drift = 0.141 dB

Peak SAR (extrapolated) = 26.2 W/kg

**SAR(1 g) = 7.54 mW/g; SAR(10 g) = 2.14 mW/g**

Maximum value of SAR (measured) = 11 mW/g

