

# **OAP8250AG/OAP8251AG**

## **Installation Guide**

**Outdoor Enterprise AP**

**V. 0.4**

## □ **PRODUCT DESCRIPTION**

OAP8250AG is Senao new generation of outdoor Enterprise AP with 4x4 MU-MIMO technology implement. It is using Qualcomm total solution to provide the maximum throughput on the WIFI.

OAP8250AG is internal antenna model.

OAP8251AG is external antenna model.

Any installation to OAP8250AG applies to both models.

## ▮ **PACKAGE CONTENT**

- OAP8250AG or OAP8251AG Access Point
- OAP8250AG/OAP8251AG Quick Start Guidet
- Mounting Bracket
- PoE injector
- Mounting Kit Package (includes hex cap screws, washers, wall anchors and bolts, ring clamp)
- Ground Cables
- Packaged Ground Screw
- Pole Mounting Bracket
- 5GHz Omni-directional antennas
- 2.4GHz Omni-directional antennas

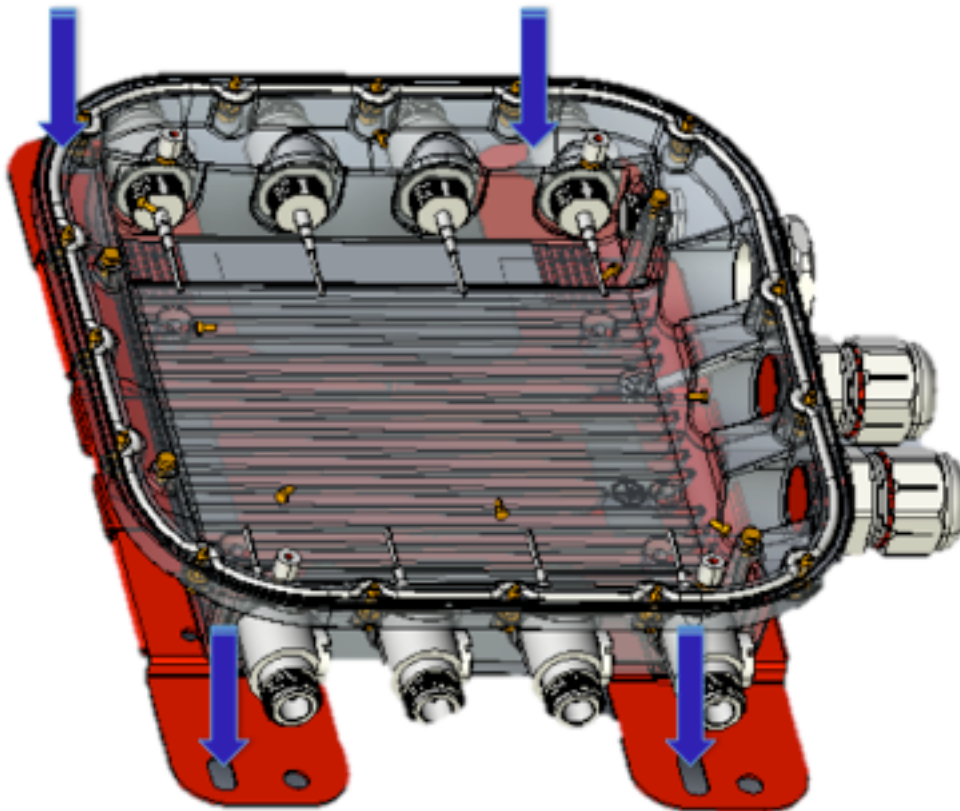
## ▮ **CONNECT TO THE OAP8250AG/OAP8251AG ACCESS POINT**

1. Attach and gently tighten the provided antennas to the appropriate port on the OAP8251AG
2. Use the M4 ground screw assembly with the wave washer, to attach the ground wire' s ring terminal to the AP. The wire should be as close to the AP bottom as possible.
3. Power is provided through Power over Ethernet based on 802.3at (PoE+) compliant switch or PoE+ injector.

## ■ MOUNTING OF THE OAP8250AG/OAP8251AG ACCESS POINT

### WALL MOUNT BRACKET

1. Attach the AP to the 'H' Shape bracket.
2. Secure the anchor to the wall then screw in the 'H' Shape bracket into the anchors in 4 corners.

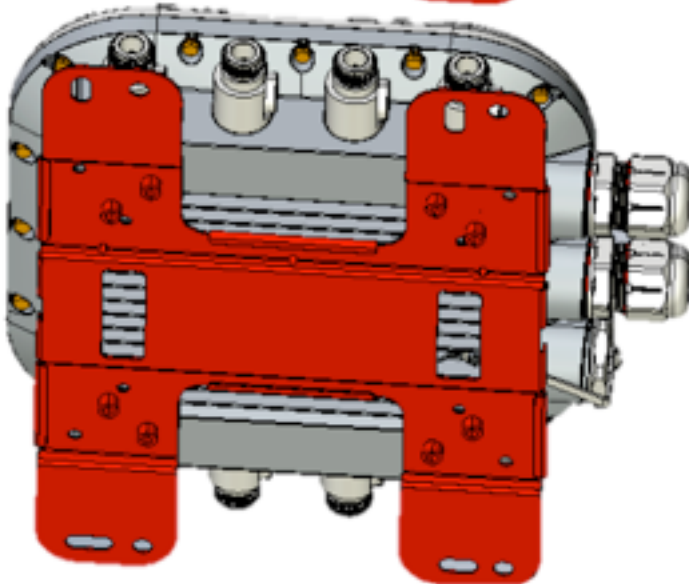
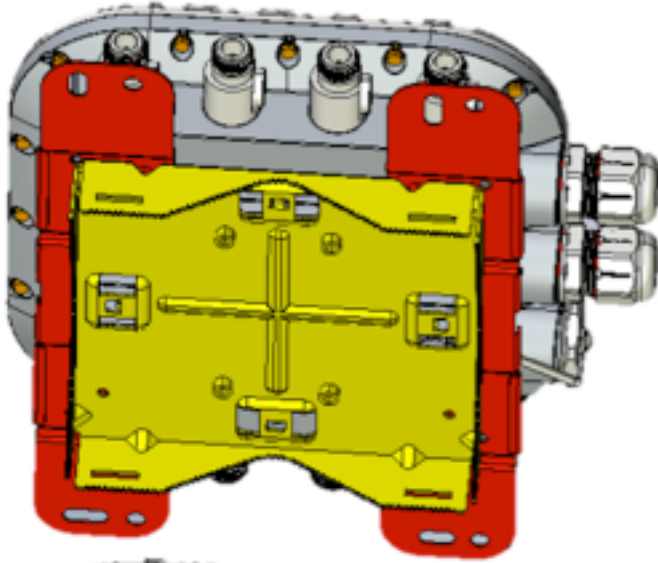


## Pole mounting

Mounting the AP with 4 drill holes into flat wall or solid ceiling mounting.

1. Attach the square bracket onto H shape bracket for pole mounting.

After



BEFORE

## **FCC Statement:**

### **Federal Communication Commission Interference Statement**

This equipment has been tested and found to comply with the limits for a Class A digital device, pursuant to part 15 of the FCC Rules. These limits are designed to provide reasonable protection against harmful interference when the equipment is operated in a commercial environment. This equipment generates, uses, and can radiate radio frequency energy and, if not installed and used in accordance with the instruction manual, may cause harmful interference to radio communications. Operation of this equipment in a residential area is likely to cause harmful interference in which case the user will be required to correct the interference at his own expense.

FCC Caution: Any changes or modifications not expressly approved by the party responsible

for compliance could void the user's authority to operate this equipment.

This device complies with Part 15 of the FCC Rules. Operation is subject to the following two conditions: (1) This device may not cause harmful interference, and (2) this device must accept any interference received, including interference that may cause undesired operation.

### **For product available in the USA/Canada market, only channel 1~11 can be operated. Selection of other channels is not possible.**

This device and its antennas(s) must not be co-located or operating in conjunction with any other antenna or transmitter except in accordance with FCC multi-transmitter product procedures.

### **IMPORTANT NOTE:**

#### **FCC Radiation Exposure Statement:**

This equipment complies with FCC radiation exposure limits set forth for an uncontrolled environment. This equipment should be installed and operated with minimum distance **25** cm between the radiator & your body.

Professional installation is required.