

### CAP2100AG

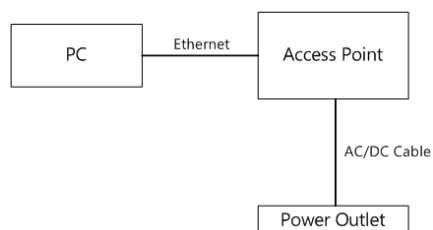
## Wireless-N 300 + 300Mbps Long Range Ceiling Mount Dual Concurrent AP

Please verify contents of the box before continuing to set up the CAP2100AG.

- CAP2100AG Access Point
- 12V/2A 100V~240V Power Adaptor
- RJ-45 Ethernet Cable
- Mounting Bracket
- Wall/Ceiling Mounting Hardware Kit
- T-Rail Mounting Hardware Kit
- CD with User's Manual

### Connecting the CAP2100AG

- 1) Ensure that the computer in use has an Ethernet Card (RJ-45 Ethernet Port). For more information, verify with User Manual.
- 2) Connect one end of the Category 5e Ethernet cable into RJ-45 port of the CAP2100AG and the other end to the RJ-45 port on the computer that will use the CAP2100AG. Ensure that the cable is securely connected to both the CAP2100AG and the Computer.
- 3) Connect the Power DC Inlet to the **DC-IN** port of the CAP2100AG and the Power to the electrical out.



**Note:** CAP2100AG supports both IEEE 802.3at PoE(Power over Ethernet) and regular power adaptor. You should use either one as the power source. Please do not apply both at the same time.

## IP address configuration

- 1) After ensuring the EnGenius device is powered on and plugged in, ensure that your computer is on.
- 2) For the next steps, refer to your Operating System User Manual.
- 3) Once your computer is on, ensure that your TCP/IP is set to **On** or **Enabled**. (In the control panel, double click Network Connections and then double click on the connection of your Network Interface Card (NIC). Select **Internet Protocol (TCP/IP)** and then click on the **Properties** button.)
- 4) If your PC is already on a computer network, ensure that you have set it to a Static IP Address on the interface (or Ethernet card that will use the CAP2100AG) as **192.168.1.21** and the Subnet Mask address as **255.255.255.0**. (Select **Use the following IP Address** radio button). Once the computer has been prepared, proceed to setting up the CAP2100AG.

## CAP2100AG Setup

- 1) To configure CAP2100AG, open a web browser (**example:** Microsoft Internet Explorer, Mozilla Firefox, Google Chrome, etc.).
- 2) In the address bar of the web browser, enter **192.168.1.1** (the default IP address of the CAP2100AG) and hit enter.

**http://192.168.1.1**

- 3) A login screen will appear. By default, the username of the CAP2100AG is **admin** and the password is **admin**. Enter the current username and password of the CAP2100AG and then click **Login**. Refer to the CAP2100AG user manual on how to change the username and password.
- 4) After clicking **Login** with the correct username and password, the CAP2100AG Main Menu will appear. If you are successful, proceed to setting up the wireless connection.



## Switching Between Operating Modes

This device can operate in the following modes: Access Point, WDS AP, WDS Bridge and Repeater.

- A. Click on the **Operation Mode** link under the **System** navigation drop-down menu.
- B. **Operating Mode:** Select an operating mode from the list (Access Point, WDS AP, WDS Bridge or Repeater) and then click on the **Apply** button.
- C. All basic setup is completed. *Note: The wireless connection is not secure. To setup security on the CAP2100AG, refer to the CAP2100AG User Manual.*

## Mounting the CAP2100AG

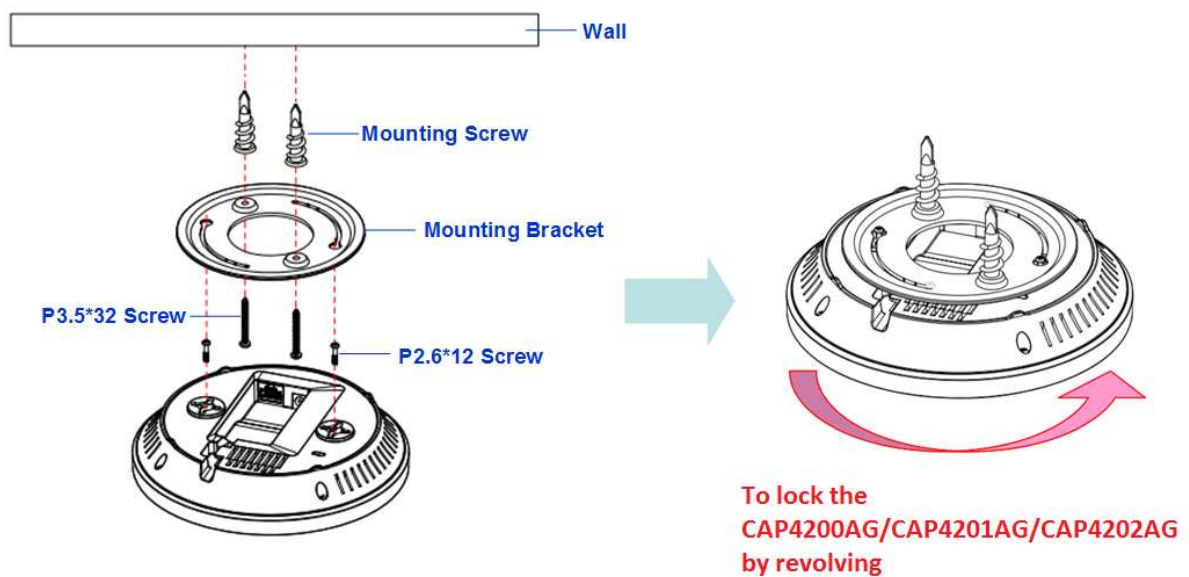
Using the provided hardware, the CAP2100AG can be attached to a ceiling or wall.

**To attach the CAP2100AG to a ceiling or wall using the mounting bracket:**

- 1) Attach the mounting bracket to the wall or ceiling using the provided wall/ceiling mounting hardware kit.
- 2) Insert the provided short screws into the bottom cover of the CAP2100AG.

Leave enough of the screws exposed to ensure that the unit can be attached to the mounting bracket.

If extra space is required, use the provided spacers and long screws from the T-Rail mounting hardware kit to increase the space between the unit and the mounting bracket.



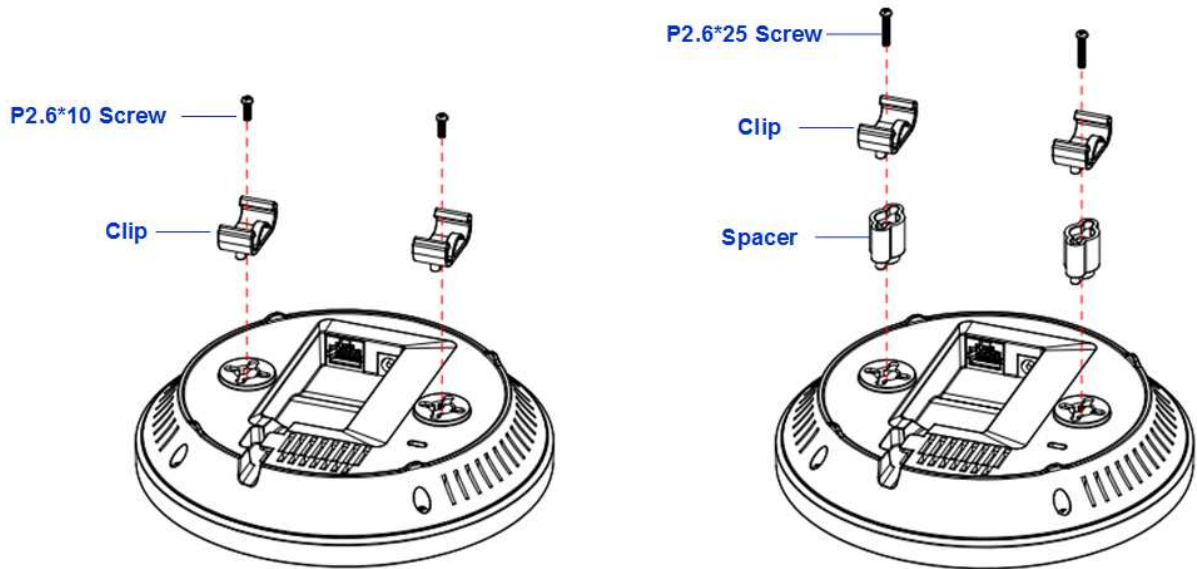
- 3) Mount the CAP2100AG on the mounting bracket by rotating the unit clockwise about 90 degrees to secure it in place.

**To attach the CAP2100AG to a ceiling using the provided T-rail connectors:**

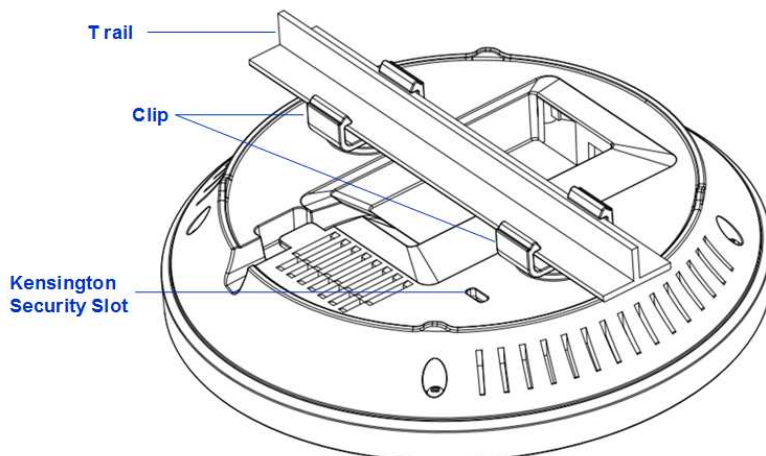
- 1) Attach the T-rail connectors to the bottom cover of the CAP2100AG using the provided short screws.

Two sizes of T-rail connectors are included in the mounting hardware kit: 15/16in (2.38cm) and 9/16in (1.43cm).

If extra space is required to accommodate drop ceiling tiles, use the provided spacers and long screws.



- 2) Line up the connected T-rail connectors with an appropriately sized rail and press the unit onto the rail until it snaps into place.



**Note:** To protect your CAP2100AG, use the Kensington security slot to attach a cable lock (cable lock is not included).