



## X9 Quick Instruction Manual

WFLY-RC radio manufacturer since 2004

Thank you for purchasing WFLY surface radio X9! WFLY X9 is a great radio set with a lot of exciting functions. We are confident that you will find lots of joy and fun with this radio system.

Shenzhen WFLY Technology Development Co., Ltd  
**Address:**C3 Building,Xiangli Industry Park,Heping Haoye Road,Fuyong Town,Baoan District,Shenzhen,Guangdong Province,China.  
**Email:**service@wflysz.com  
**Website:**www.wflysz.com

### 1. Turn on and off your radio

#### Power on

**Transmitter:** Firstly press and hold the power button for 3 seconds to turn on your transmitter.

**Receiver:** After the transmitter is powered on, then switch on your receiver

#### Power off

**Receiver:** Please switch off the receiver

**Transmitter:** Press and hold the power button for 3 seconds to shut down.

### 2. Power supply range

Your radio is compatible with 3.5V-6V (**exceeding the power supply voltage may cause damage to your radio**)

**Note:** You can charge the radio if it is powered by a single lithium battery. **DO NOT charge your radio if 4 AA dry batteries are inside the battery compartment.**

### 3. After-sales policy

Should you have any question or doubt when you are driving this radio, please contact our sales staff. We would be glad to be of any assistance and support.

**Email:**service@wflysz.com

**Wechat:**WFLY\_RC

**Facebook:**Wfly RC

**Facebook group:**WFLY RC Groups

### 4. Product parameters:

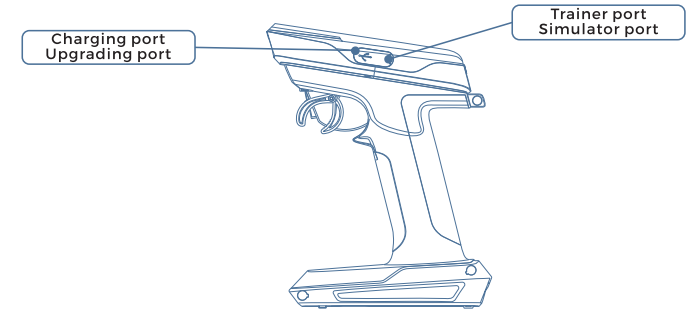
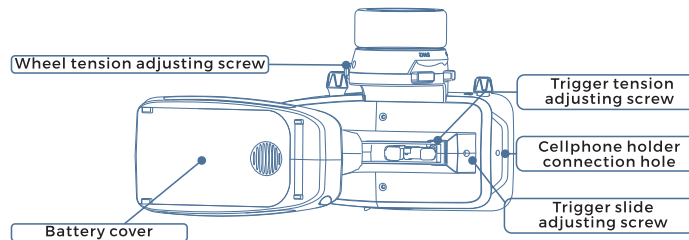
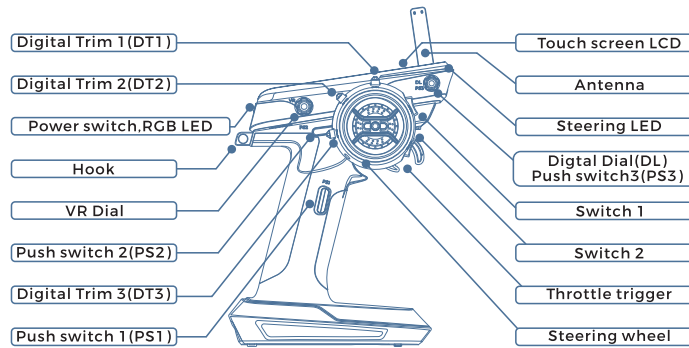
#### Radio parameters:

Model Name: X9  
 Channel: 9 channels  
 Working voltage: 3.5V-6.0V  
 Working current: 220mA  
 Application: RC cars, boats, tanks, etc.  
 Resolution: 4096  
 Frequency band: 2.4GHz (two-way)  
 Storage: 40 models memory  
 Language: Chinese,English  
 Upgrade: USB online upgrade  
 Display: 3.5" 480\*320 capacitive touch screen  
 Voice: support voice broadcast

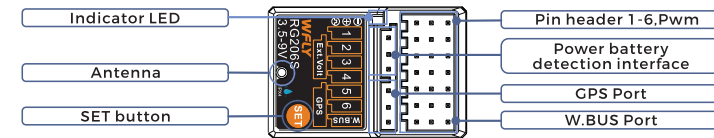
#### Receiver parameters:

Model name:RG206S  
 Frequency band: 2.4GHz  
 Working voltage: 3.5V-9.0V  
 Working current: 95mA  
 Application: RC cars, boats, tanks, etc.  
 Resolution: 4096  
 PWM:6 channels  
 PPM:support  
 W.BUS:support S.BUS  
 Two way transmission:Support  
 Upgrade: USB online upgrade  
 Dimension:33.6\*22.3\*12.3mm

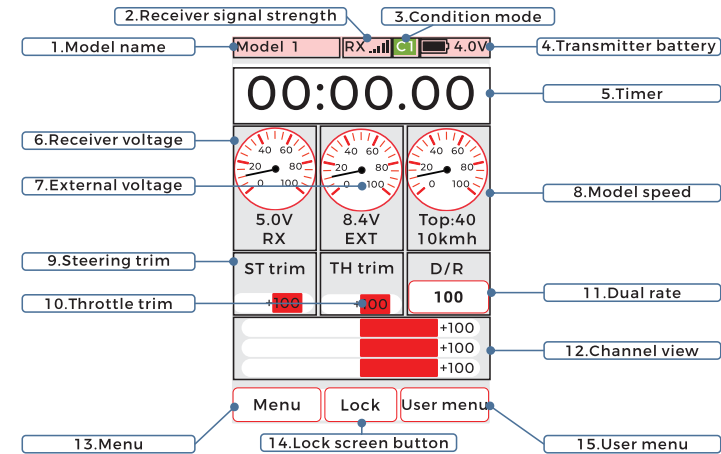
### 5. Names of radio parts



### Receiver



### 6. Description of the home screen:

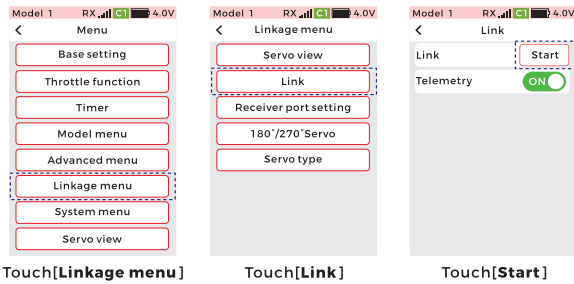


1. Model name
2. Receiver signal strength
3. Condition mode
4. Transmitter battery
5. Timer(Default:PS1)
6. Telemetry data: Receiver voltage
7. Telemetry data: External voltage
8. Telemetry data: Model speed
9. Steering trim(Default control: DT1)
10. Throttle trim (Default)
11. Dual rate (default control: DL)
12. Channel view
13. Menu
14. Lock screen button: long press for 2 seconds to lock/unlock the screen
15. User menu (default control: Ps2)

## 7. Link

**Warning:** When linking, please be careful not to connect the power equipment, and be careful that the sudden output of the engine may cause a shock hazard. To ensure safety, please do not perform code matching operations when the motor and engine are running.

Path: [Menu]-[Linkage menu]-[Link]



### Linking method:

**Transmitter:** Click the start button to enter the link state

**Receiver:** Power on, press and hold the [SET] button for 3 seconds, the orange LED flashes.

### Authentication method:

**Successful linking:** The receiver LED light becomes green and steady

**Connect the servo:** Operate the corresponding channel of the transmitter, linking successfully if the servo has synchronized action.

### Note:

The distance between the transmitter and the receiver shall be within one meter. The transmitter cannot be linked in simulator and student mode, mode modification

Path: [Menu]-[System Menu]-[Trainer and simulator]

There is no other WFLY 2.4G system in the vicinity that the same protocol is undergoing binding operation.

During the binding: If you need to exit, Touch [Cancel].

## Receiver RGB LED status:

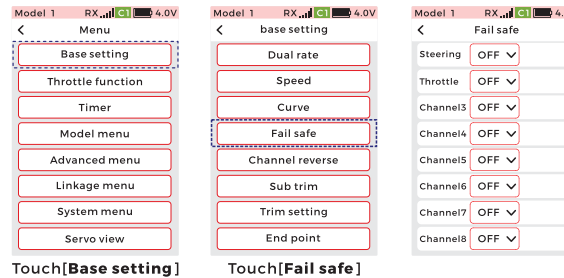
Color	Status	Function
Green	ON	Link successfully
Blue	Flash	Wireless upgrading mode
Red	ON	No signal
	Flash	Voltage < 3.7V
Orange	Flash	Link

## 8.Failsafe

### Importance of F/S protection setting:

If you do not set the F/S protection data, when the model loses control due to some reason, unexpected and uncontrollable actions may occur, causing the boat/car/tank to collide/fall, or even hurt humans. If you set the protection according to the parameters of the smooth driving in advance, then the chance of colliding, losing, or even hurting others after losing control will be much less.

Path: [Base setting]-[Fail safe]



### Setting mode:

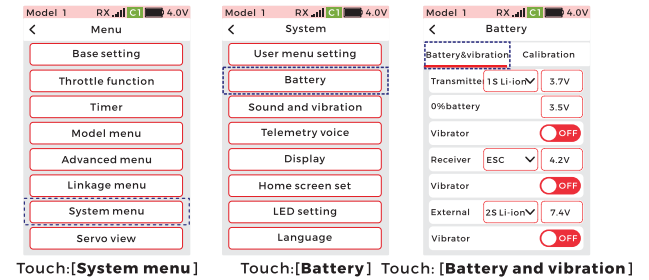
- 1 Hold:** Hold mode, the value when the receiver output is out of control (hold action)
- 2 F/S:** Loss of control protection mode, the set value output by the receiver after loss of control (default action). For safety, it is recommended to set this out of control protection mode, the throttle channel is set to brake action.
- 3 Close:** Close the current channel output.

**Note:** Model fail safe is very important. Failure to set it correctly can cause damage of your RC model, so you must be very careful when setting this function.

## 9. Warning

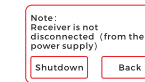
### Low battery warning

When the transmitter voltage, receiver battery voltage and power battery voltage are lower than the set value (path: [Menu]-[System menu]-[Battery]), the radio will broadcast corresponding voice reminders, such as [transmitter voltage is low, 3.5V],and you can set whether to turn on the vibration reminder as required.



### Shutdown alarm interface:

After the telemetry function is enabled, the transmitter will check whether the receiver is communicating when it is off, and then the warning interface will pop up to confirm before shutdown.



Touch [Shutdown] to forcibly shut down the transmitter.

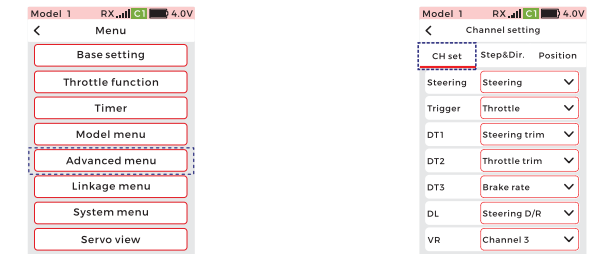
## 10. Model menu

Path: [Menu]-[Model Menu]



## 11.Switch and channel Settings:

Path:[Menu]-[Advanced Menu]-[Channel setting]



## **FCC Warning**

This device complies with Part 15 of the FCC Rules. Operation is subject to the following two conditions:

(1) This device may not cause harmful interference, and (2) this device must accept any interference received, including interference that may cause undesired operation.

NOTE 1: This equipment has been tested and found to comply with the limits for a Class B digital device, pursuant to part 15 of the FCC Rules. These limits are designed to provide reasonable protection against harmful interference in a residential installation. This equipment generates uses and can radiate radio frequency energy and, if not installed and used in accordance with the instructions, may cause harmful interference to radio communications. However, there is no guarantee that interference will not occur in a particular installation. If this equipment does cause harmful interference to radio or television reception, which can be determined by turning the equipment off and on, the user is encouraged to try to correct the interference by one or more of the following measures:

- Reorient or relocate the receiving antenna.
- Increase the separation between the equipment and receiver.
- Connect the equipment into an outlet on a circuit different from that to which the receiver is connected.
- Consult the dealer or an experienced radio/TV technician for help.

NOTE 2: Any changes or modifications to this unit not expressly approved by the party responsible for compliance could void the user's authority to operate the equipment.