

6

5

4

3

2

1

D

D

C

C

B

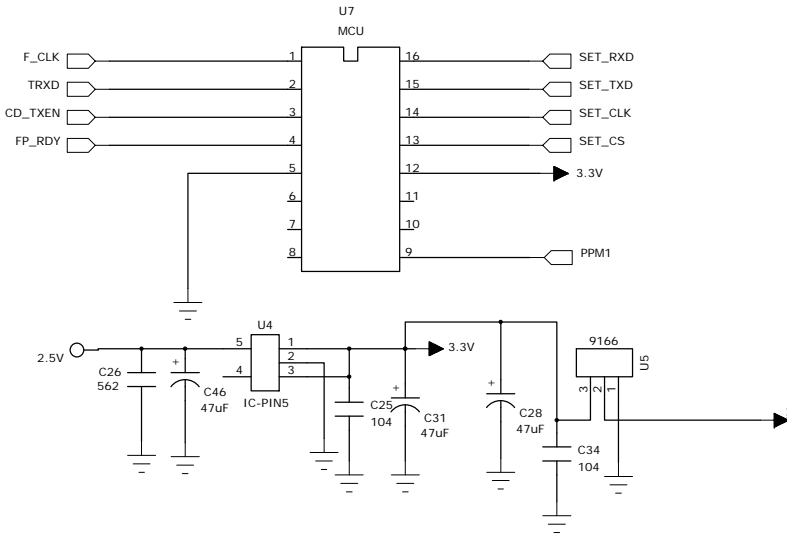
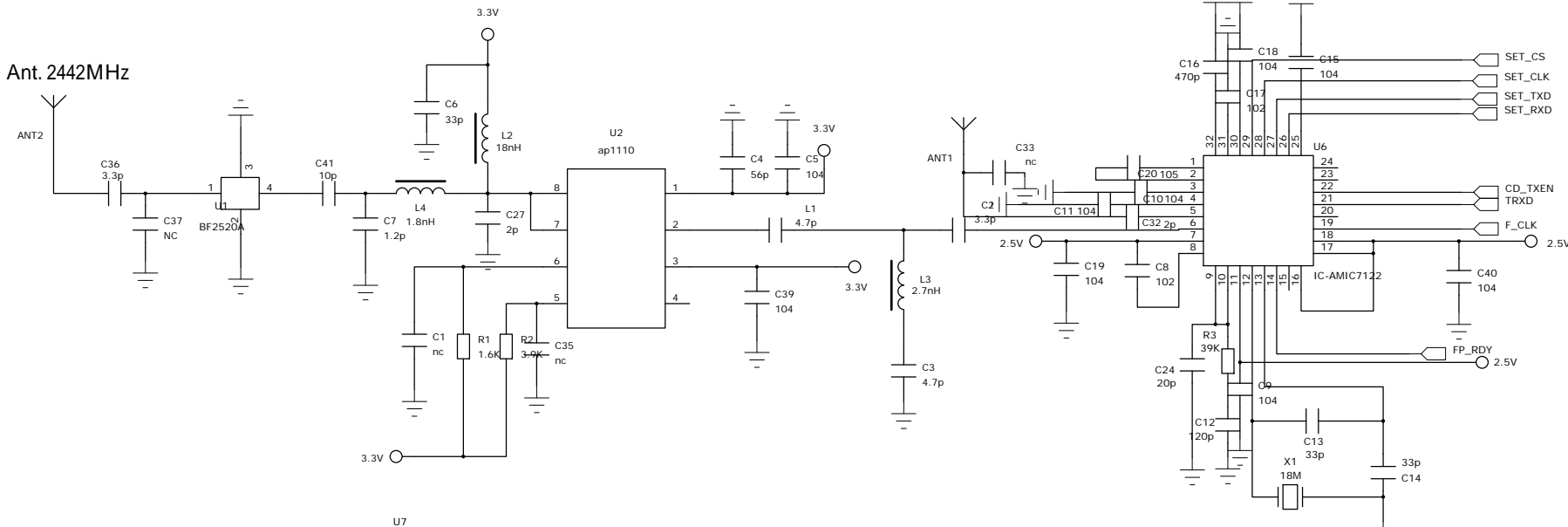
B

A

A

REVISION RECORD			
LTR	ECO NO.	APPROVED:	DATE:

Ant. 2442MHz



COMPANY: <Company Name>			
TITLE: <Title>			
CODE: <Code>	SIZE: B	DRAWING NO: <Drawing Number>	REV: <Revision>
SCALE: <Scale>		SHEET: 1 of 1	

DRAWN: <Drawn By>	DATED: <Drawn Date>
CHECKED: <Checked By>	DATED: <Checked Date>
QUALITY CONTROL: <QC By>	DATED: <QC Date>
RELEASED: <Released By>	DATED: <Release Date>

