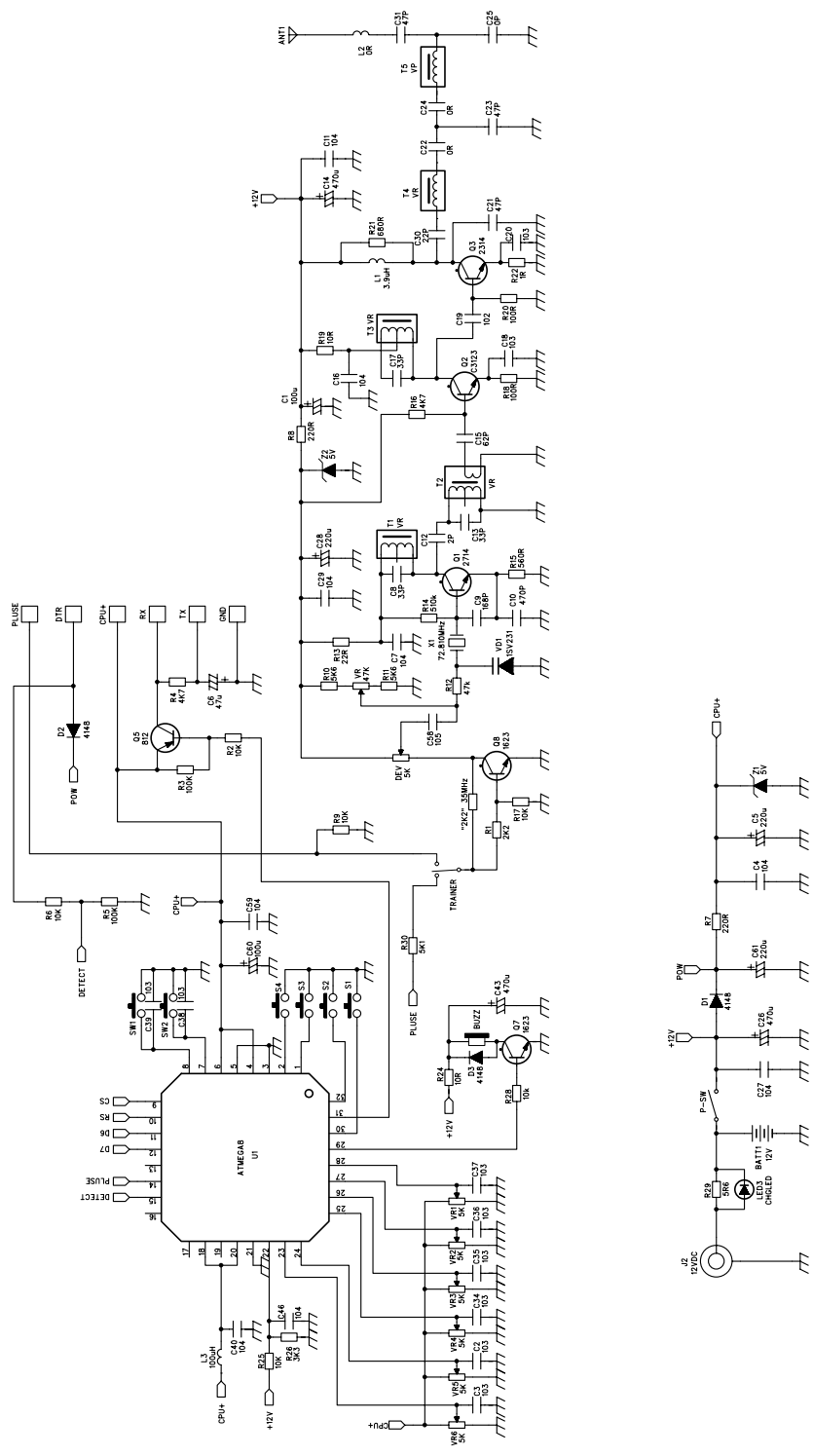


1 2 3 4 5 6

REVISION RECORD		
ECO NO.	APPROVED:	DATE:



COMPANY: VALVE ELECTRIC LTD	
TITLE: REMOT TX BOARD	
DRAWN: R.K.J	DATED: 2/10/78
CHECKED:	DATED:
QUALITY CONTROL:	DATED:
RELEASED:	DATED:
CODE:	DRAWING NO:
SIZE:	REV:
SCALE:	SHEET: 01

DRAWN: R.K.J	DATED: 2/10/78
CHECKED:	DATED:
QUALITY CONTROL:	DATED:
RELEASED:	DATED:
CODE:	DRAWING NO:
SIZE:	REV:
SCALE:	SHEET: 01

