

6

5

4

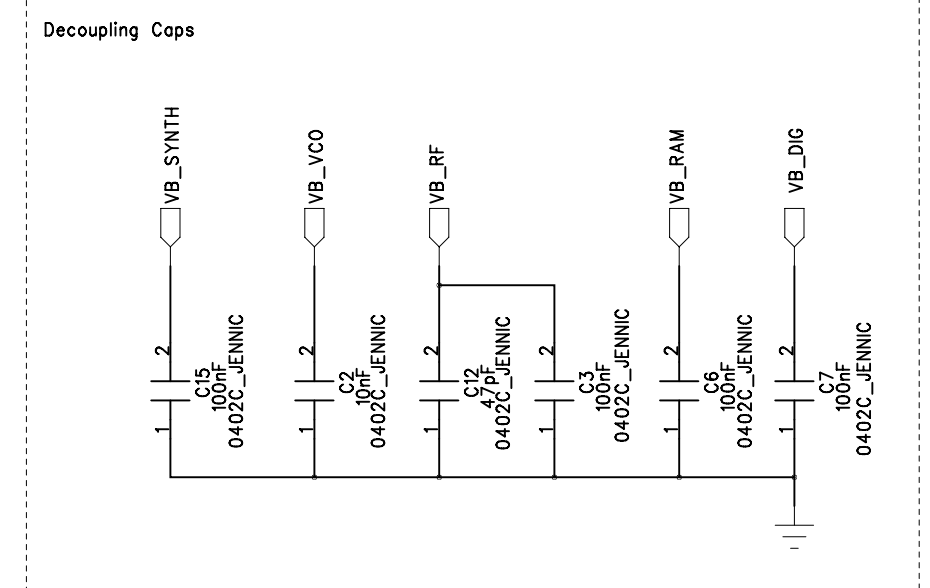
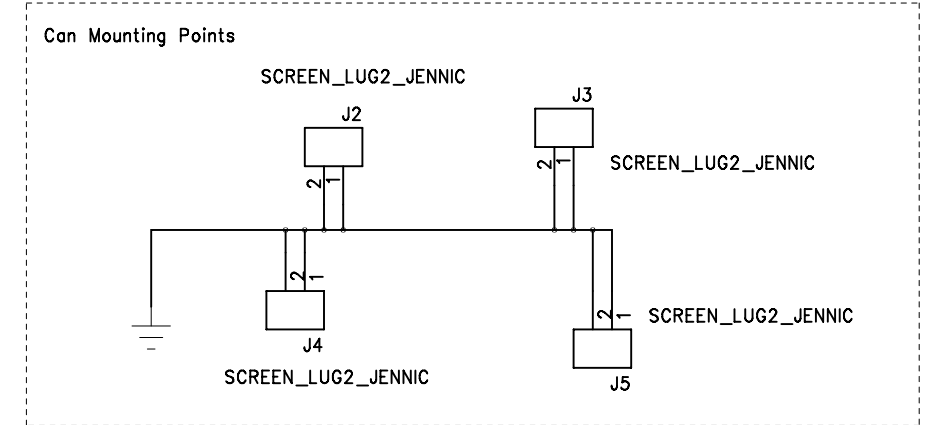
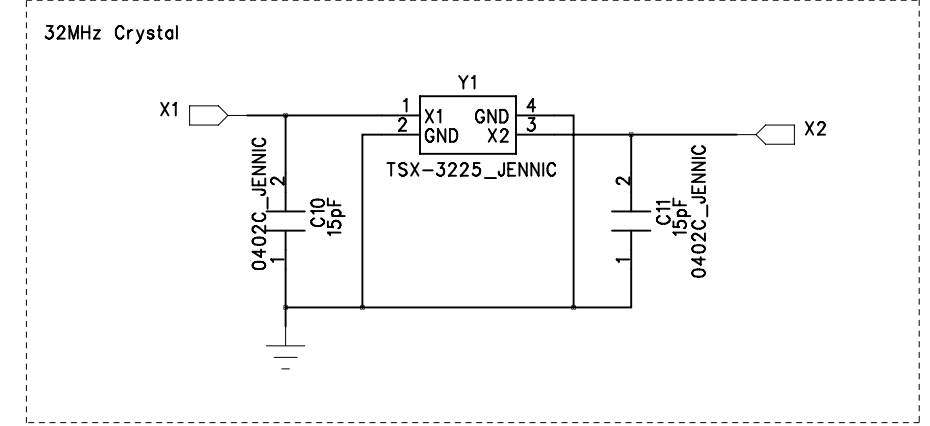
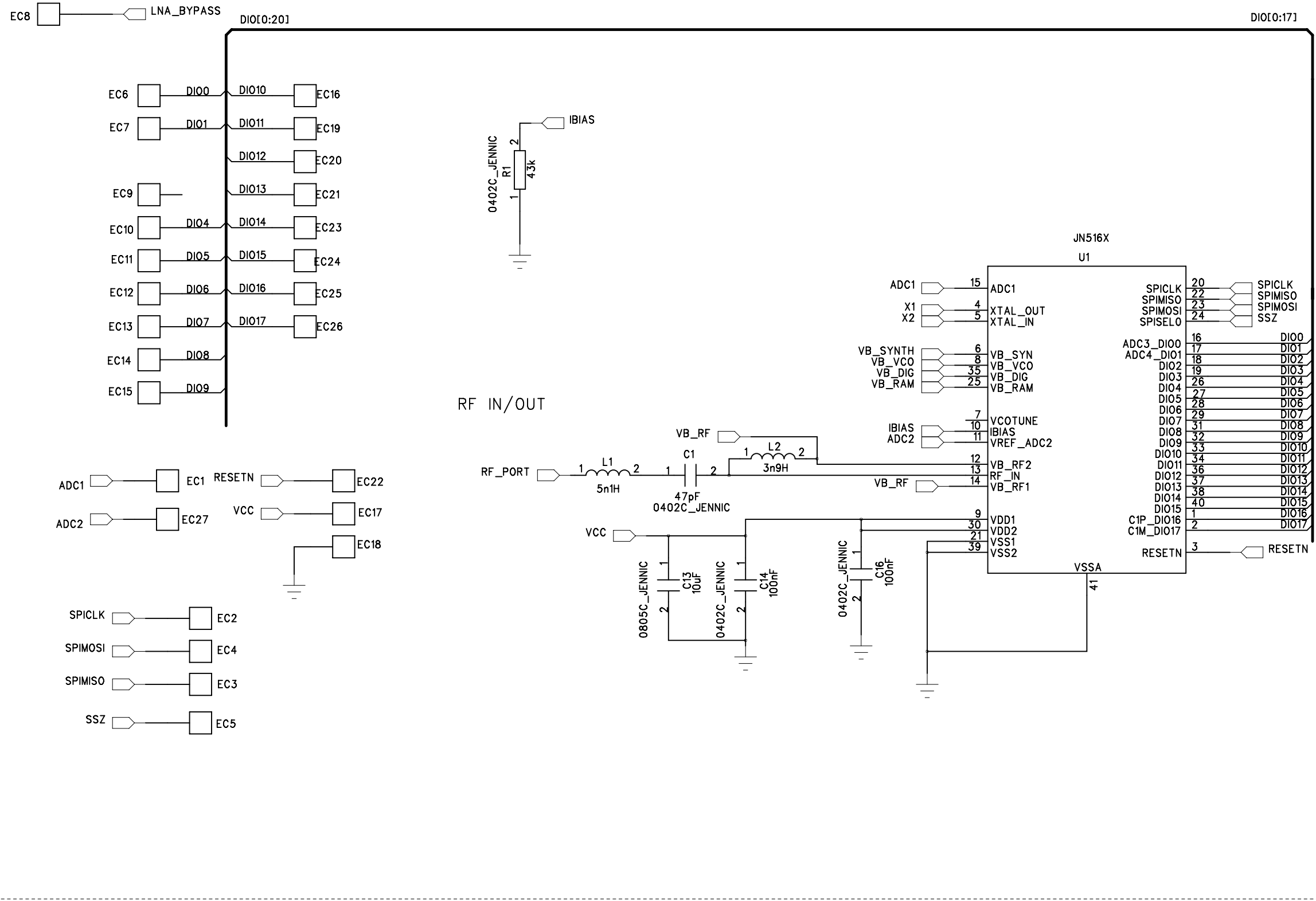
3

2

1

REVISION RECORD			
LTR	ECO NO:	APPROVED:	DATE:

COC6 Reference Design



D

D

C

C

B

B

A

A

DRAWN:	MDG	DATED:	1/10/12
CHECKED:	CFARL	DATED:	1/10/12
QUALITY CONTROL:		DATED:	
RELEASED:		DATED:	

COMPANY:				NXP Ltd							
TITLE:								JN5168 ETSI uFL Module			
CODE:		SIZE:		DRAWING NO:		REV:					
		C		DR1200		1V1					
SCALE: NOT TO SCALE								SHEET: 1 OF 2			

6

5

4

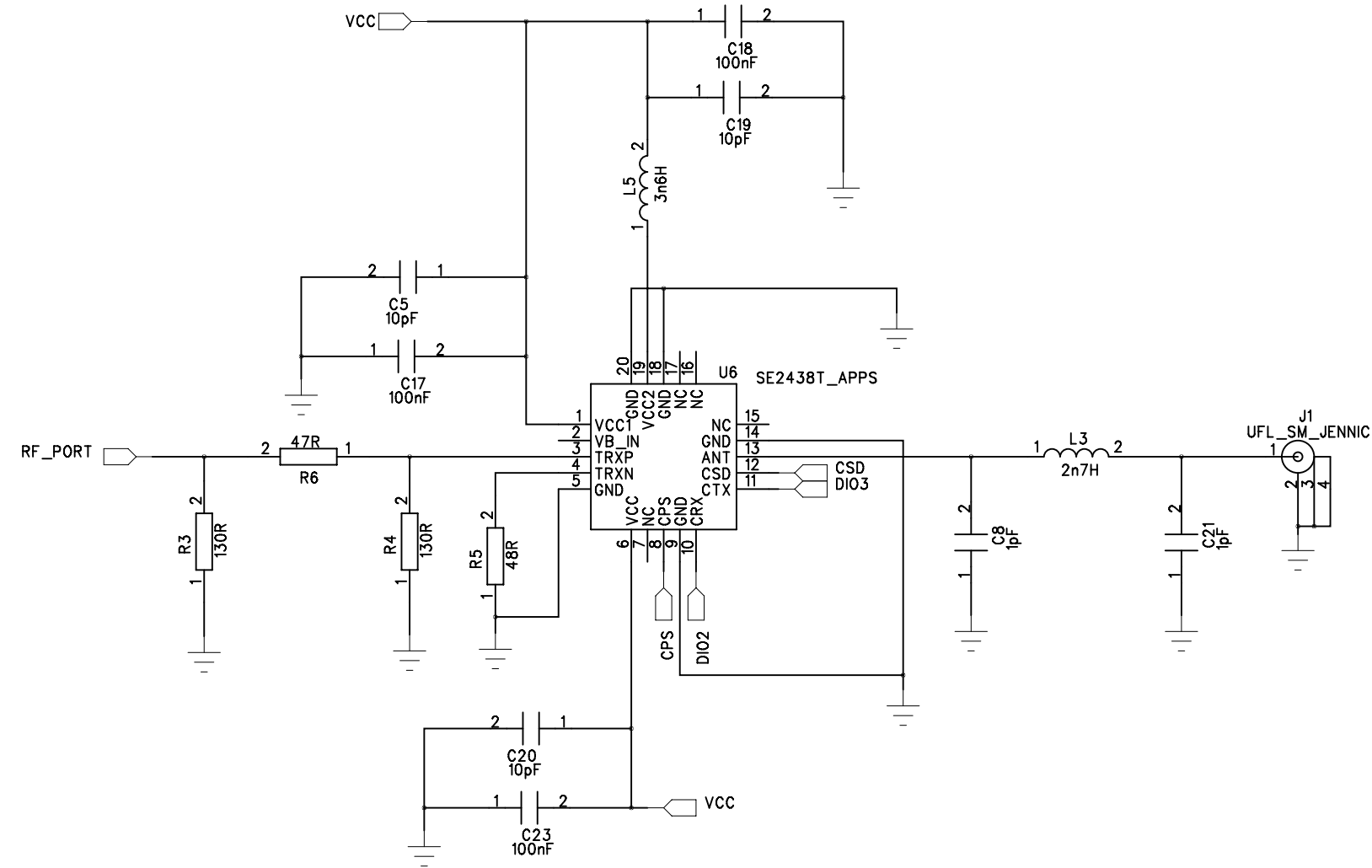
3

2

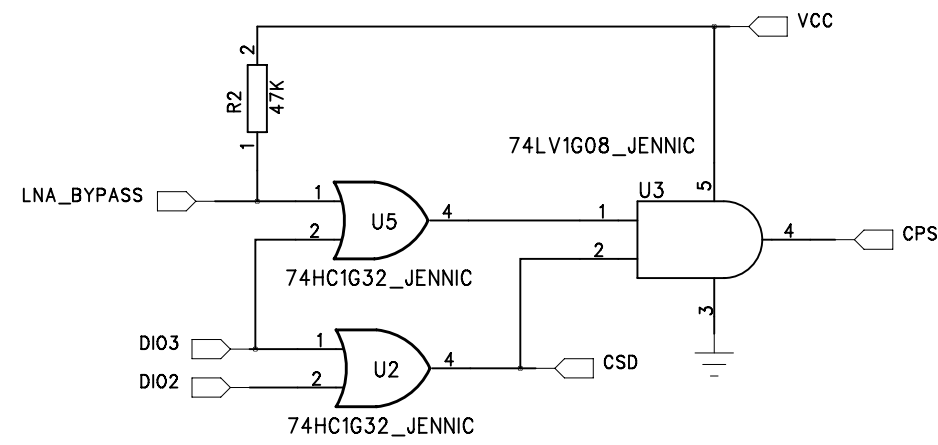
1

REVISION RECORD			
LTR	ECO NO:	APPROVED:	DATE:

FEM



Logic



COMPANY: NXP Ltd

TITLE: JN5168 ETSI uFL Module

DRAWN: MDG	DATED: 1/10/12
CHECKED: CFARL	DATED: 1/10/12
QUALITY CONTROL:	DATED:
RELEASED:	DATED:

CODE:	SIZE: C	DRAWING NO: DR1200	REV: 1V1
SCALE: NOT TO SCALE			SHEET: 2 OF 2