

6

5

4

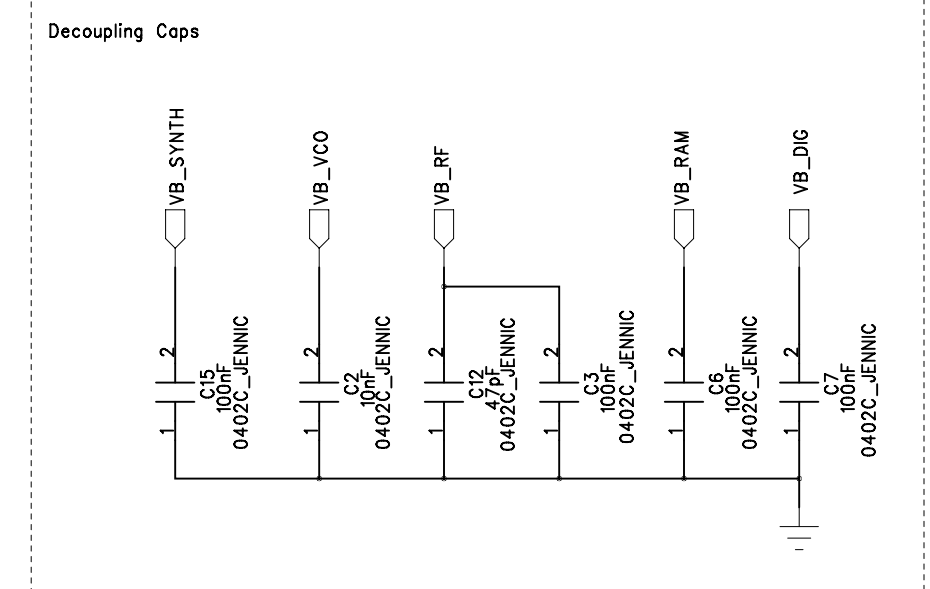
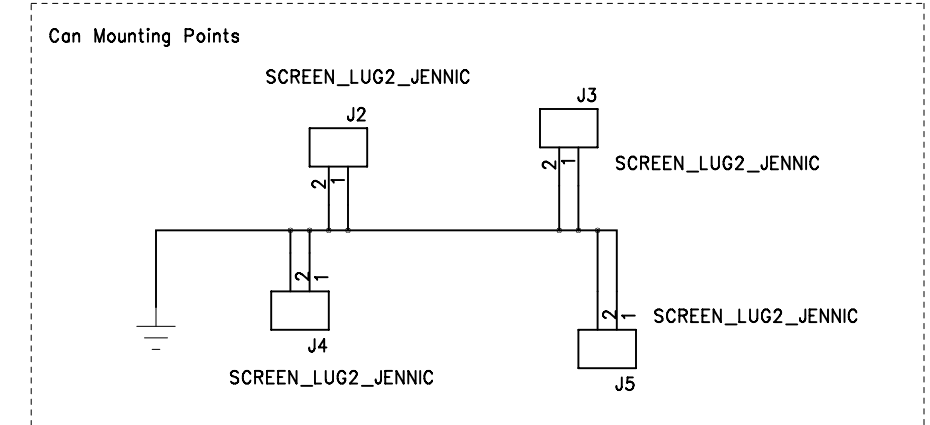
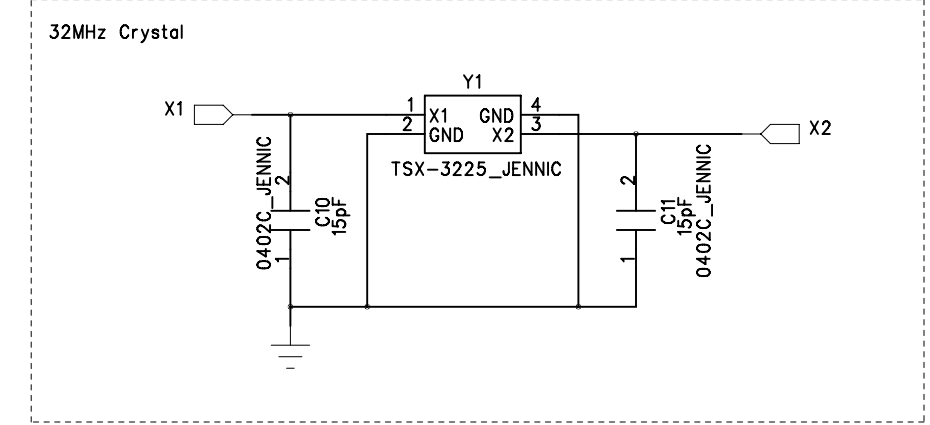
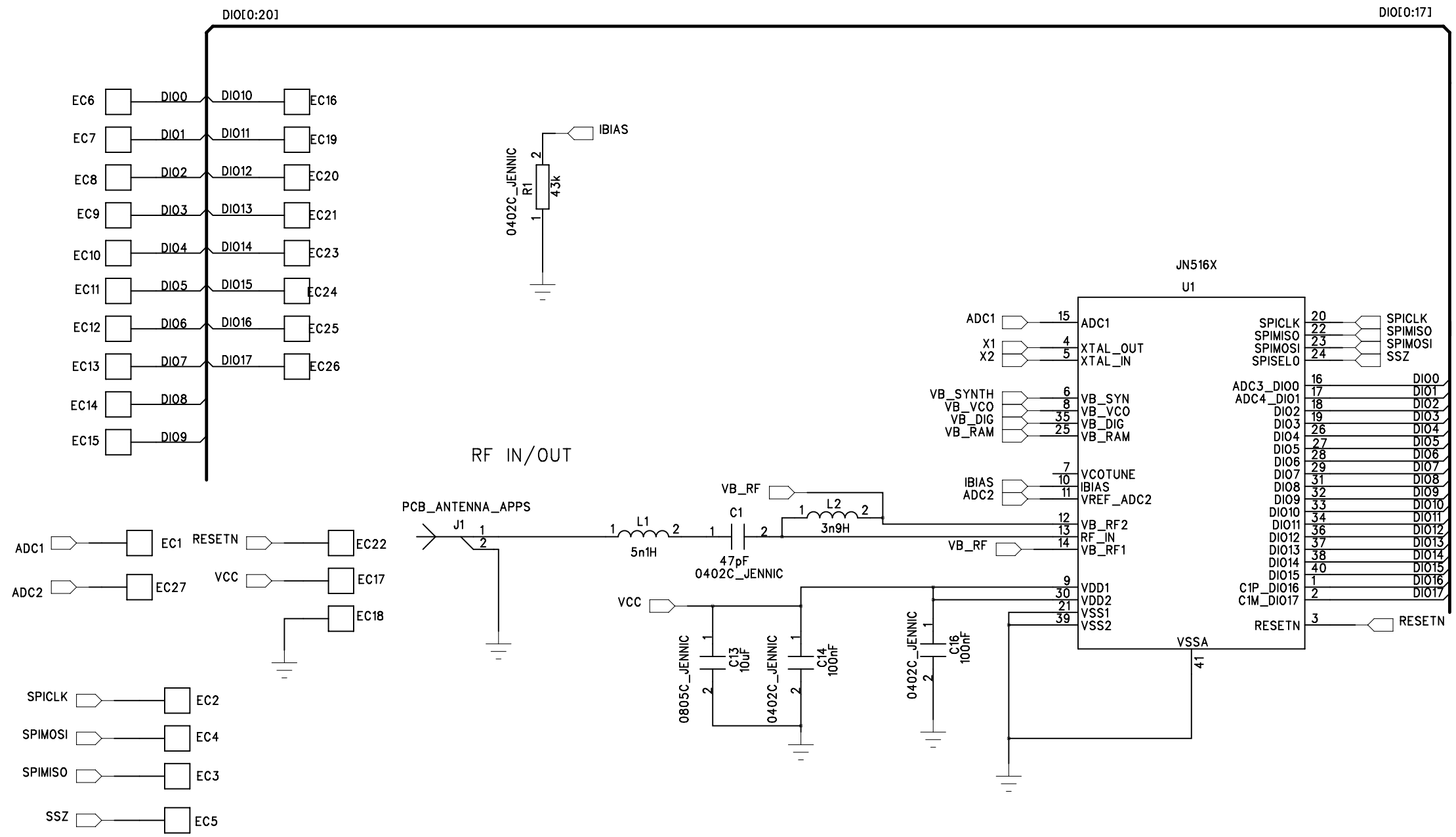
3

2

1

REVISION RECORD			
LTR	ECO NO:	APPROVED:	DATE:

COC6 Reference Design



D

D

C

C

B

B

A

A

DRAWN: MDG	DATED: 22/11/12
CHECKED: TM	DATED: 22/11/12
QUALITY CONTROL:	DATED:
RELEASED:	DATED:

COMPANY: NXP			
TITLE: JN5168 Printed Antenna Module			
CODE:	SIZE:	DRAWING NO: DR1178	REV: 1V1
SCALE:			SHEET: 1 OF 1