

6

5

4

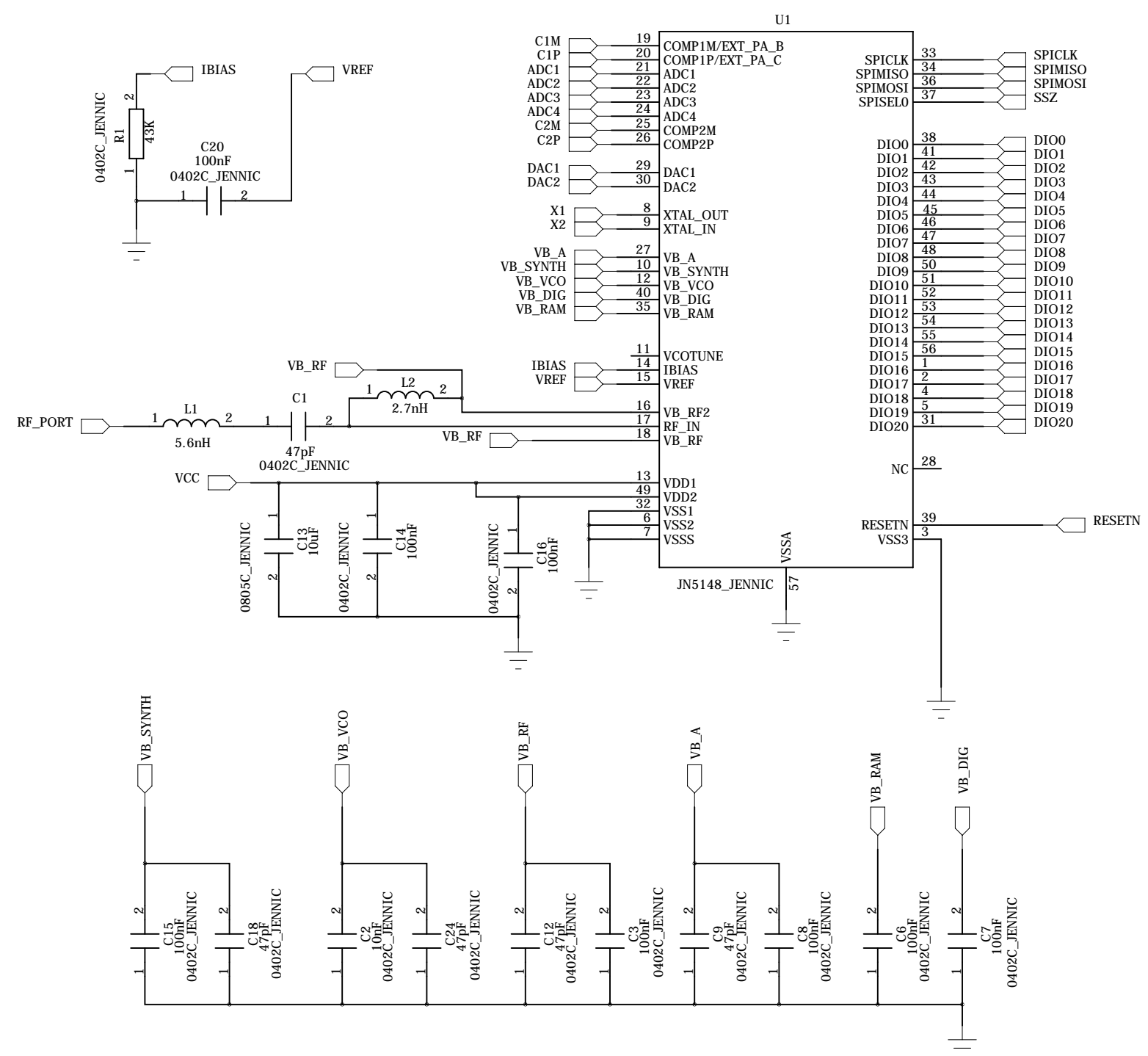
3

2

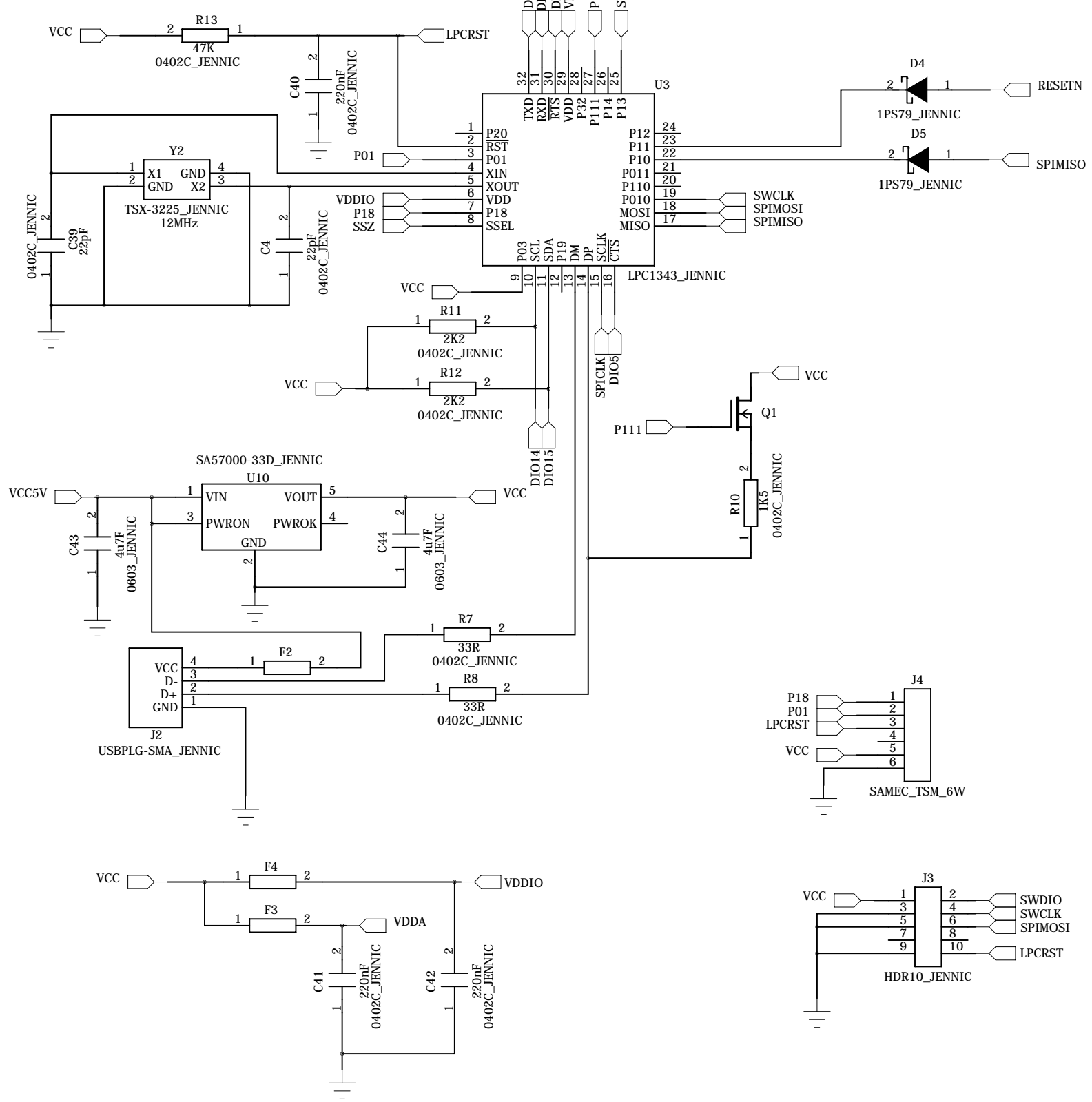
1

REVISION RECORD			
LTR	ECO NO:	APPROVED:	DATE:

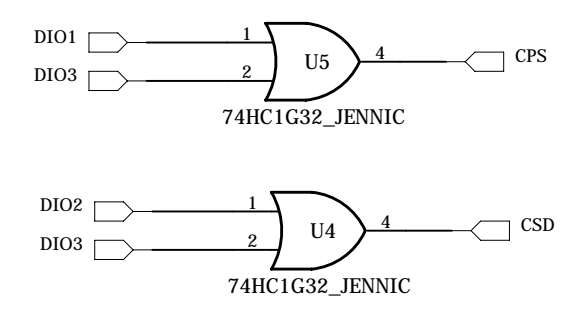
JN5148 Reference Design



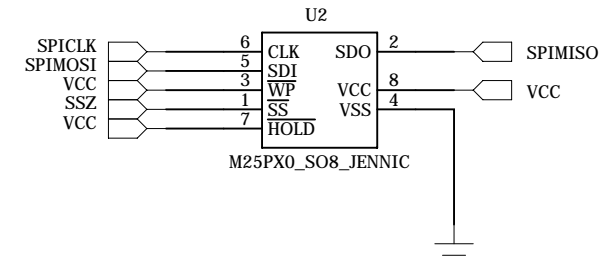
USB Interface



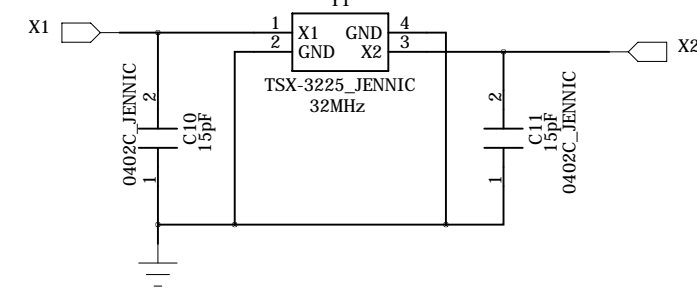
Logic



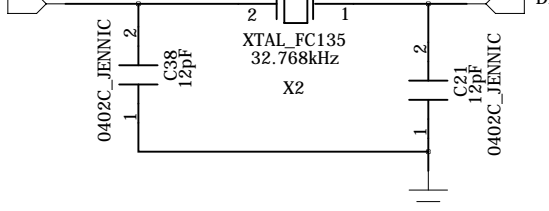
SPI Serial FLASH Memory



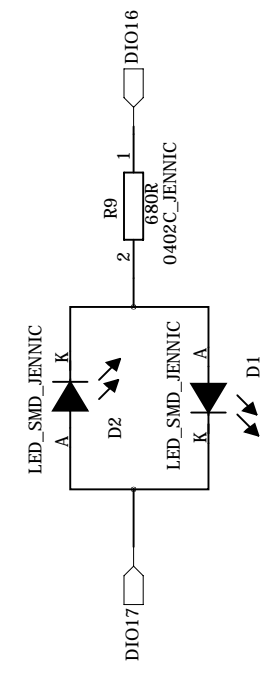
32MHz Crystal



32KHz Crystal



LED



COMPANY: JENNIC			
TITLE: JN5148 High Power USB Module			
DRAWN: CFARL	DATED: 25/6/10	CODE:	SIZE:
CHECKED: MDG	DATED: 25/6/10	DRAWING NO: DR1131	
QUALITY CONTROL:	DATED:	REV: 2V2	
RELEASED:	DATED:	SCALE:	SHEET: 1 OF 2

6

5

4

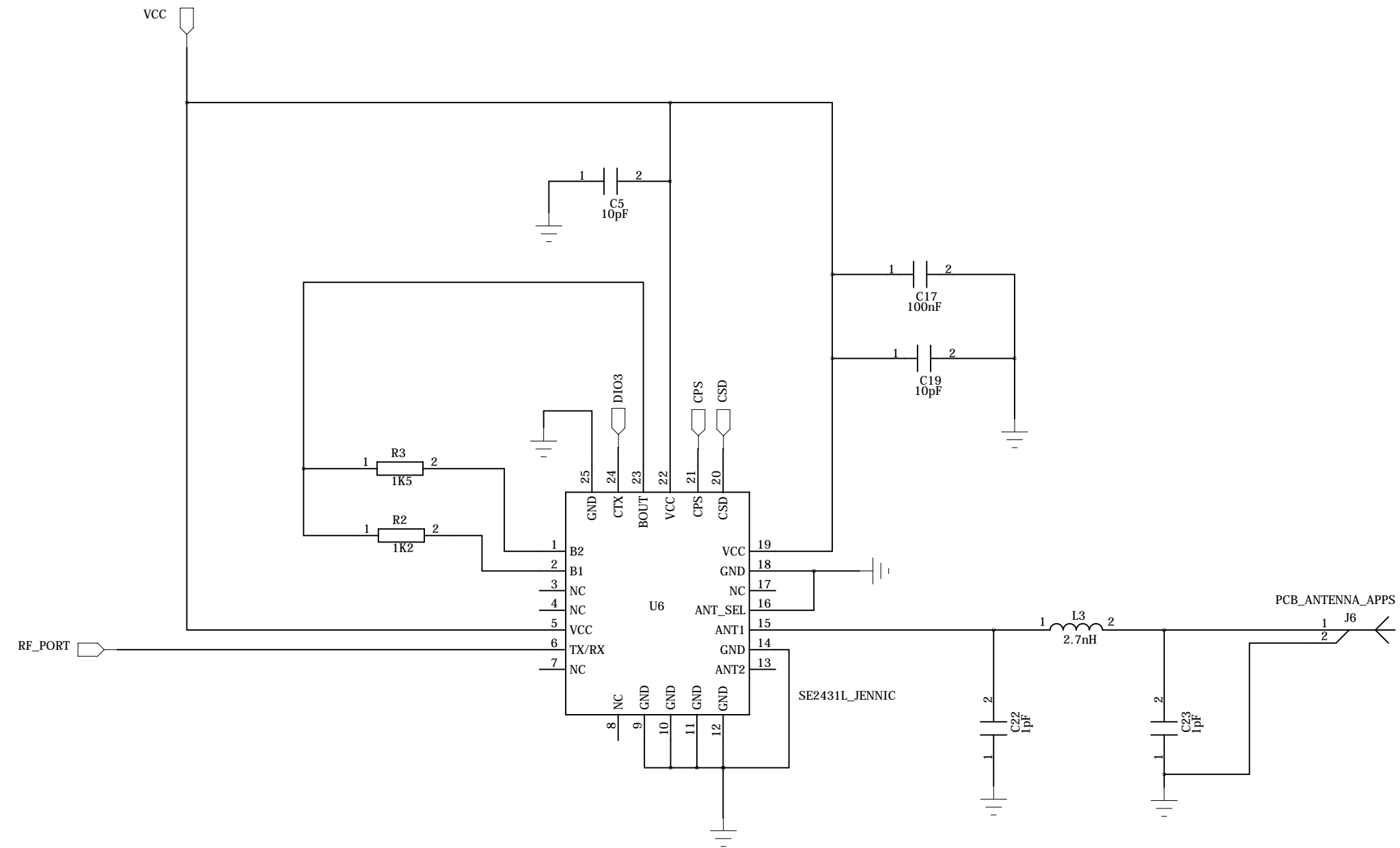
3

2

1

REVISION RECORD			
LTR	ECO NO:	APPROVED:	DATE:

FEM



COMPANY:				JENNIC			
TITLE:							
JN5148 10dBm PRINTED ANTENNA MODULE							
CODE:		SIZE:		DRAWING NO:		REV:	
				DR1139		2V2	
SCALE:				SHEET: 2 OF 2			

DRAWN:	CFARL	DATED:	12/7/2010
CHECKED:	MDG	DATED:	12/7/2010
QUALITY CONTROL:		DATED:	
RELEASED:		DATED:	

D

C

B

A

D

C

B

A