



6

5

4

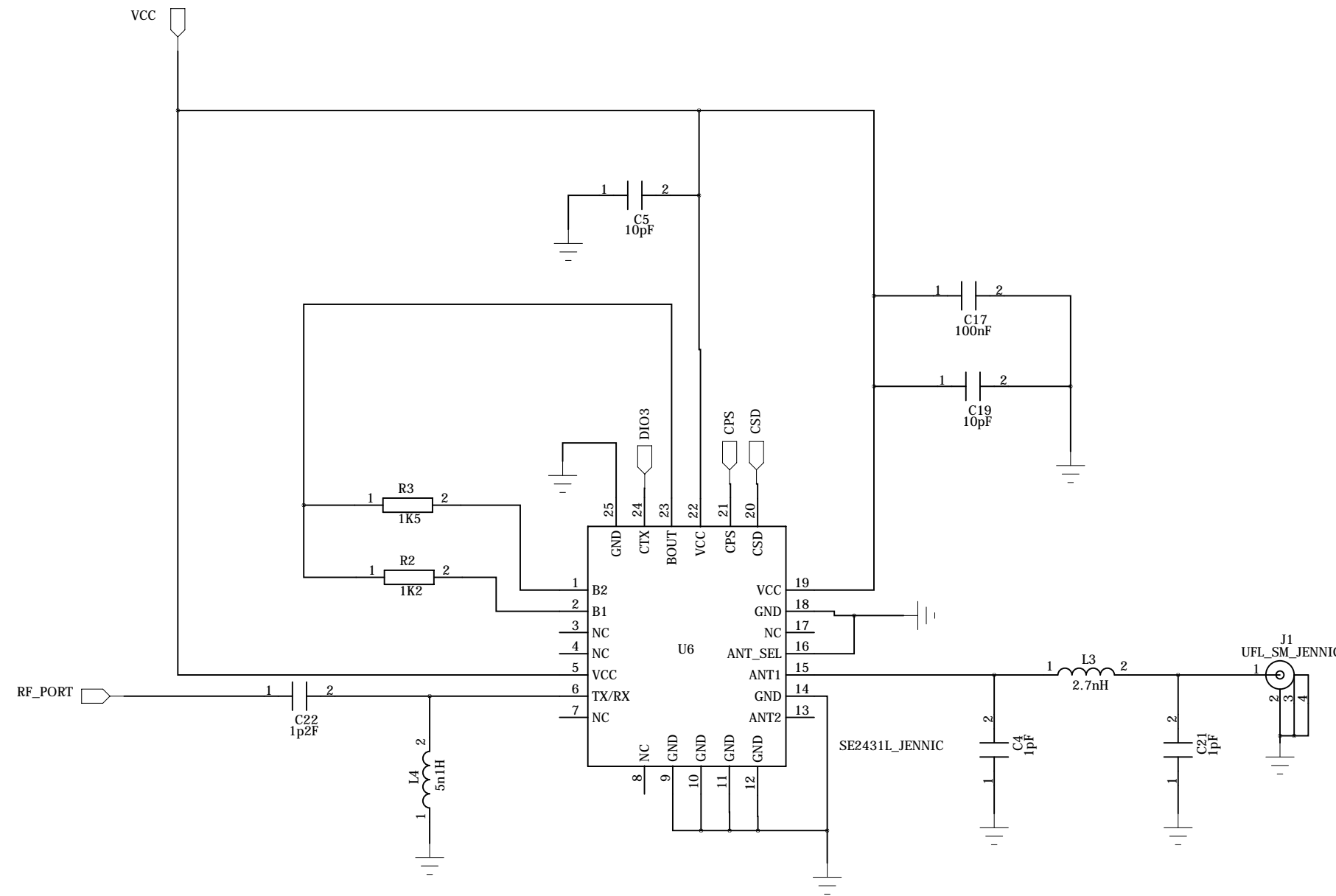
3

2

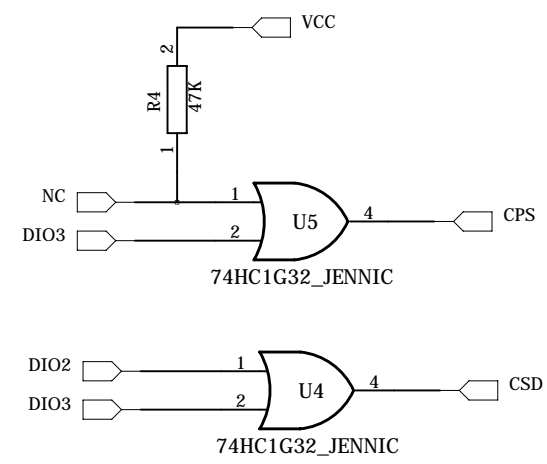
1

REVISION RECORD			
LTR	ECO NO:	APPROVED:	DATE:

### FEM



### Logic



COMPANY: NXP			
TITLE: JN5148 HP uFL Module			
DRAWN: MDG	DATED: 11/11/2011	CODE:	SIZE: C
CHECKED: CF	DATED: 11/11/2011	DRAWING NO: DR1177	REV: 1V0
QUALITY CONTROL:	DATED:	SCALE: Not to Scale	
RELEASED:	DATED:	SHEET: 2 of 2	