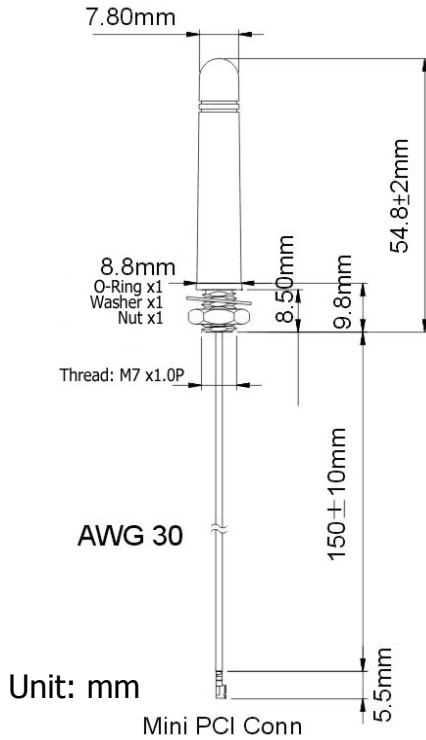


Mechanical Drawing



Electrical Specification

Frequency Range	2.4~2.4835GHz
Impedance	50Ω
V.S.W.R.	≤2.0
Radiation	Omni
Gain	2dBi
Polarization	Vertical

Mechanical Specification

Connector Type	μFL/Mini PCI (Brass)
Material	Cover(PU) / Base(PC)
Cable	AWG30 (150mm)
Bushing Type	Straight 0°
Length	54.8mm
Water Proof	IP65
Weight	10g (est.)

Environmental Specification

Operating Temp	- 20°C ~ + 65°C
Storage Temp	- 30°C ~ + 70°C
Substance	Meets RoHs requirement

