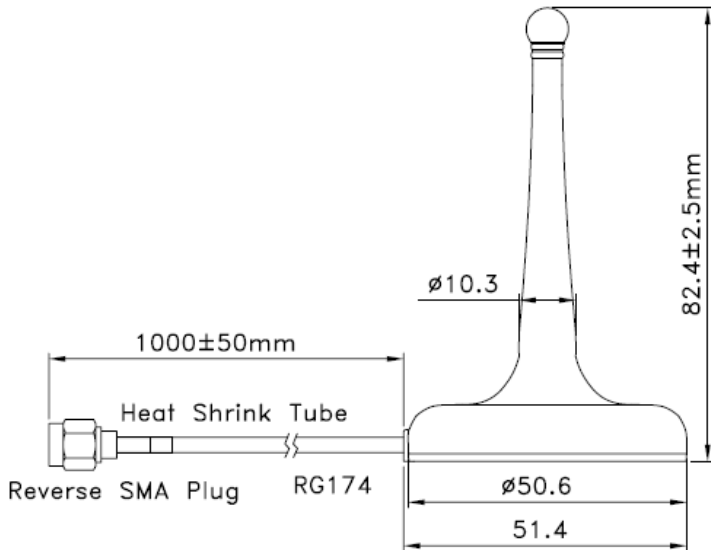


### Mechanical Drawing



Unit: mm

### Electrical Specification

<b>Frequency Range</b>	2.4~2.4835GHz
<b>Impedance</b>	50Ω
<b>V.S.W.R.</b>	≤2.0
<b>Radiation</b>	Omn
<b>Gain</b>	2dBi
<b>Polarization</b>	Vertical

### Mechanical Specification

<b>Connector Type</b>	Reverse SMA Plug (Brass)
<b>Material</b>	PU/ABS
<b>Cable</b>	RG174 (1000mm)
<b>Bushing Type</b>	--
<b>Length</b>	82.4mm
<b>Water Proof</b>	--
<b>Weight</b>	31g (est.)

### Environmental Specification

<b>Operating Temp</b>	- 20°C ~ + 65°C
<b>Storage Temp</b>	- 30°C ~ + 70°C
<b>Substance</b>	Meet RoHS requirement

