

Electrical Properties:

Frequency Range: 2.4~2.5 GHz  
 Impedance: 50Ω nominal  
 VSWR: <2.0:1  
 Gain: 4 dBi  
 Radiation: Omni  
 Polarization: Vertical

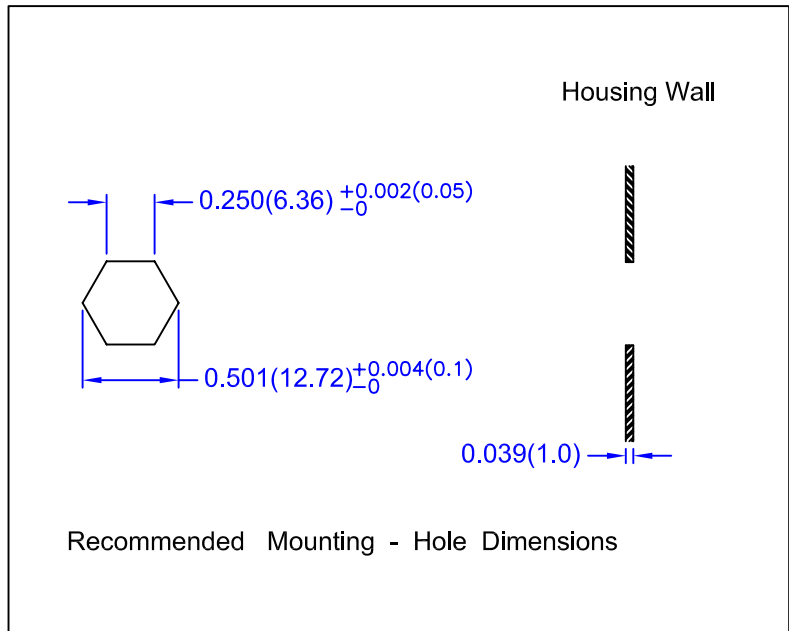
\*Gain is measured under no flying lead.

Mechanical Properties:

Cable: 1.37mm Coaxial Cable with L inches.  
 Material:  
 Whip: Polyurethane(Black)  
 Swivel Joint: Polyurethane(Black)  
 Clip Nut: Polycarbonate(Black)  
 Operation Temp.: -20°C to +65°C  
 Storage Temp.: -30°C to +75°C

Connector Code - XX -	Description	P / N
PX	IPEX Connector Plug	S152CL - L - PX - 2450S
NC	No Connector (Stripped)	S152CL - L - NC - 2450S
RMM	MMCX Plug Right Angle	S152CL - L - RMM - 2450S

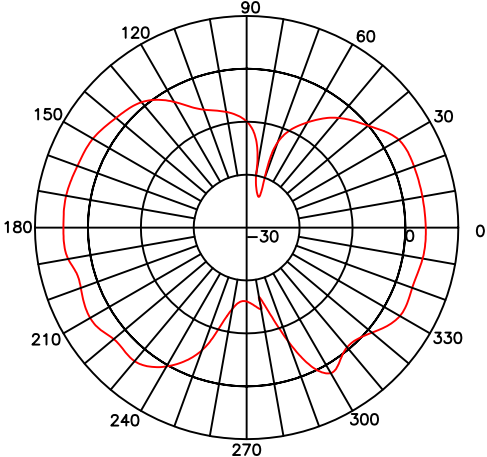
TITLE	2.4GHz flying lead panel click antenna		DATE	SHEET
			012005	1 of 4
UNIT	DWG. NO.	S152CL - L - XX - 2450S		
in.(mm)				
SCALE				
1:1				



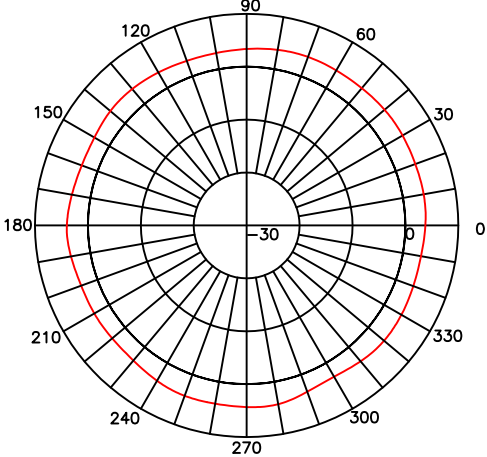
L (inch)	Attenuation (dB)
3"	0.23 dB
4"	0.30 dB
5"	0.38 dB
6"	0.45 dB
8"	0.60 dB
10"	0.75 dB
12"	0.90 dB

Flying Lead Cable Length v.s. Attenuation Table  
 1.37mm Cable Measured @ 2.45GHz

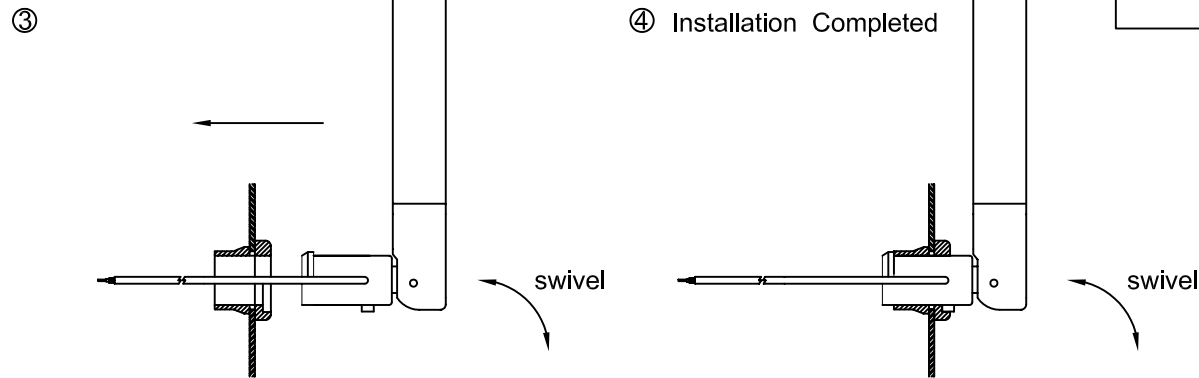
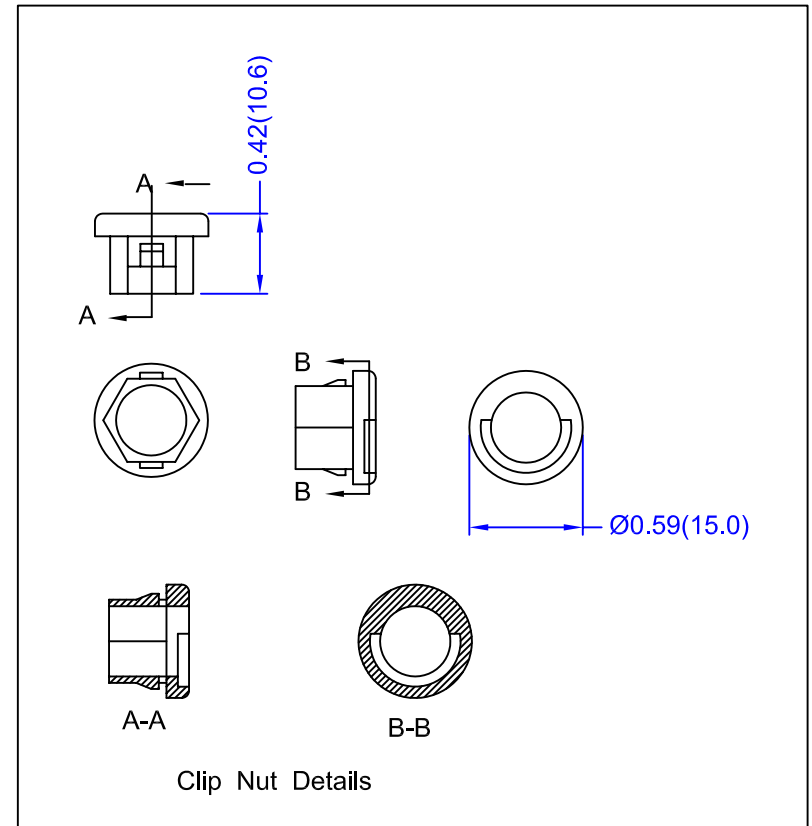
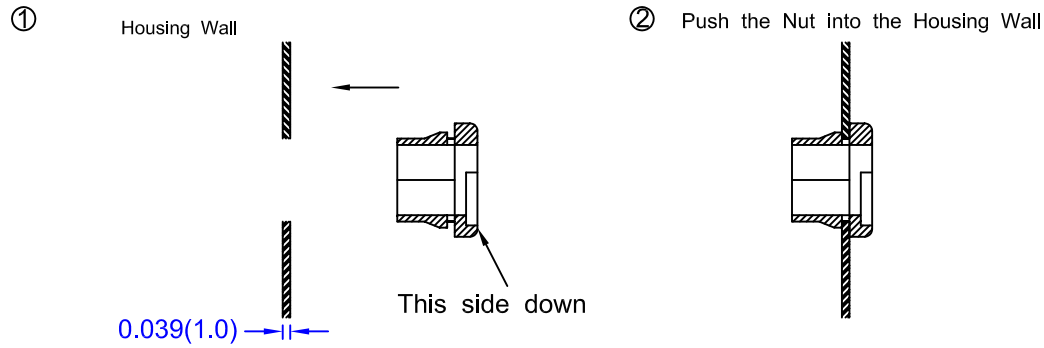
E-Plane Field Pattern @ 2.45GHz



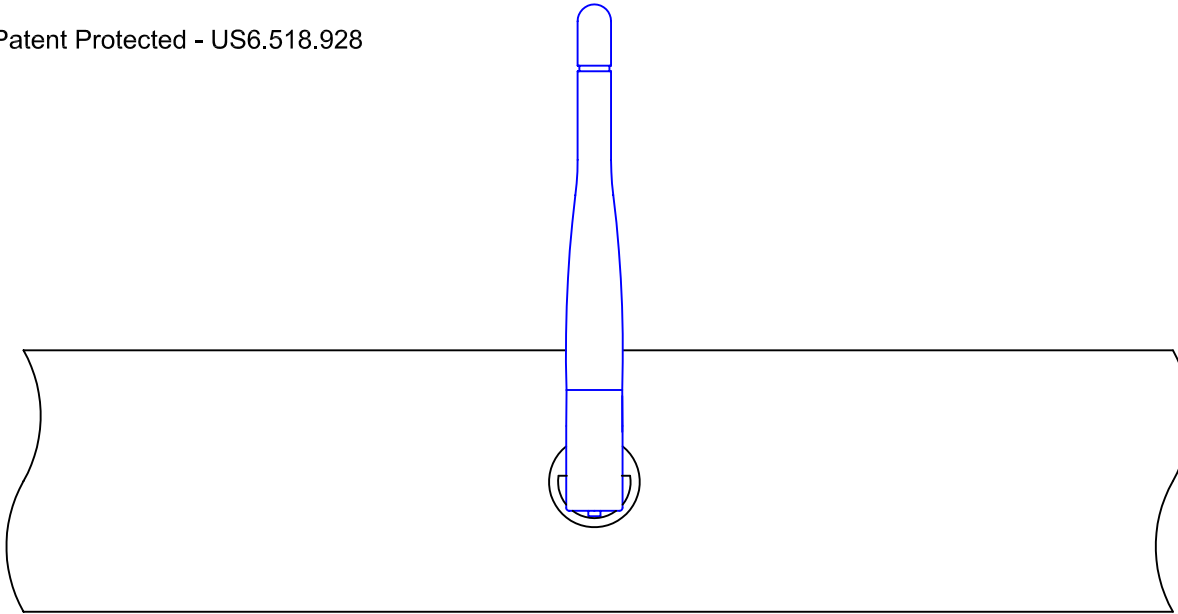
H-Plane Field Pattern @ 2.45GHz



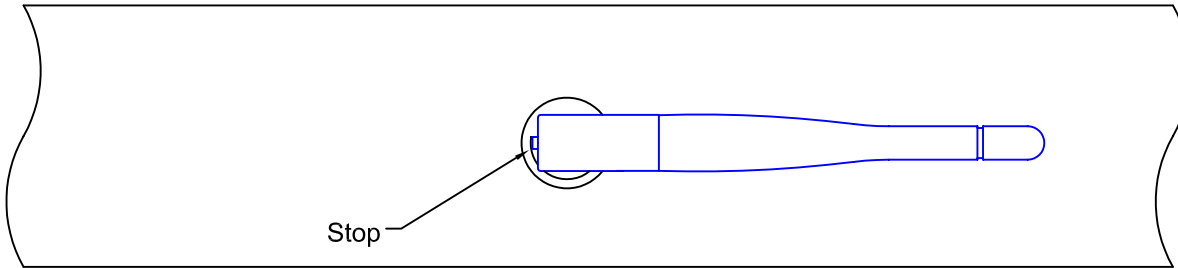
TITLE	2.4GHz flying lead panel click antenna		DATE	SHEET
UNIT	DWG. NO.	S152CL - L - XX - 2450S		
in.(mm)	<b>NEARSON</b>			
SCALE				
1:1	<a href="http://www.nearson.com">http://www.nearson.com</a>			



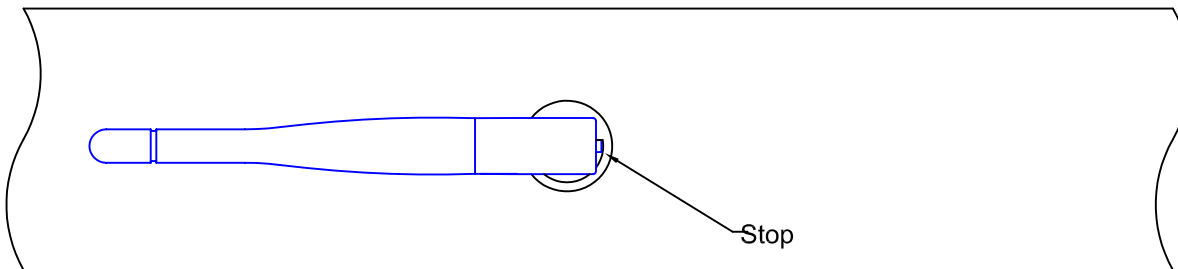
TITLE	2.4GHz flying lead panel click antenna		DATE	SHEET
			012005	3 of 4
UNIT	DWG. NO.	S152CL - L - XX - 2450S		
in.(mm)				
SCALE		<b>NEARSON</b>		
none				



Antenna Upword



Rotation +90°



Rotation -90°

1. 152CL model can also rotate in panel parallel direction.
2. Rotate in -90° to +90° prevent the cable over-twisted inside the device.
3. The antenna can stay in any angle between -90° and +90°.

TITLE	2.4GHz flying lead panel click antenna		DATE	SHEET
			012005	4 of 4
UNIT	DWG. NO.	S152CL - L - XX - 2450S		
in.(mm)		<b>NEARSON</b>		
SCALE				
None		<a href="http://www.nearson.com">http://www.nearson.com</a>		