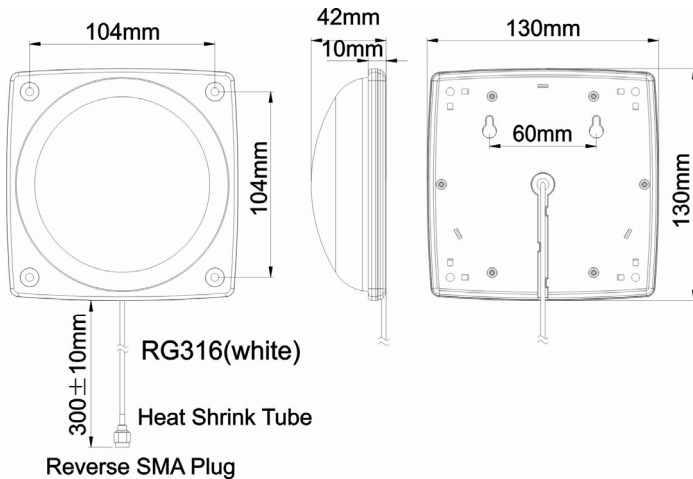


Mechanical Drawing


Unit: mm

Electrical Specification

Frequency Range	2.4~2.4835GHz
Impedance	50Ω
V.S.W.R.	≤2.0
Radiation	Omni
Gain	4dBi
Polarization	Horizontal

Mechanical Specification

Connector Type	Reverse SMA Plug (Brass)
Material	ABS / PC
Cable	RG316 (300mm)
Dimension	104x104x42mm
Accessory Or Other	Wall Mount Accessory
Water Proof	--
Weight	146g (est.)

Environmental Specification

Operating Temp	- 20°C ~ + 65°C
Storage Temp	- 30°C ~ + 70°C
Substance	Meets RoHs requirement

