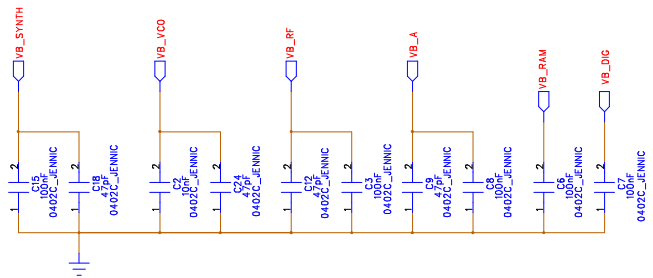
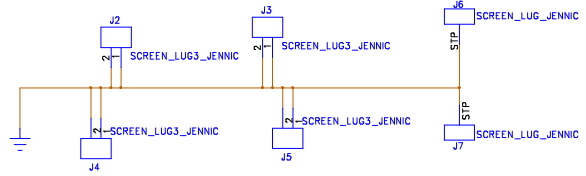
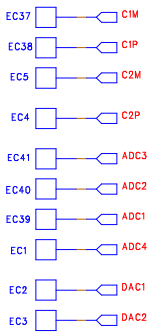
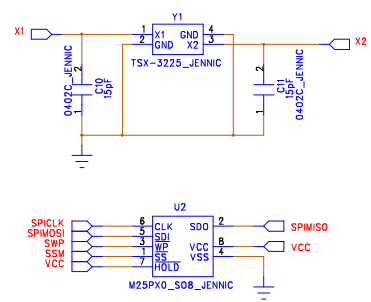
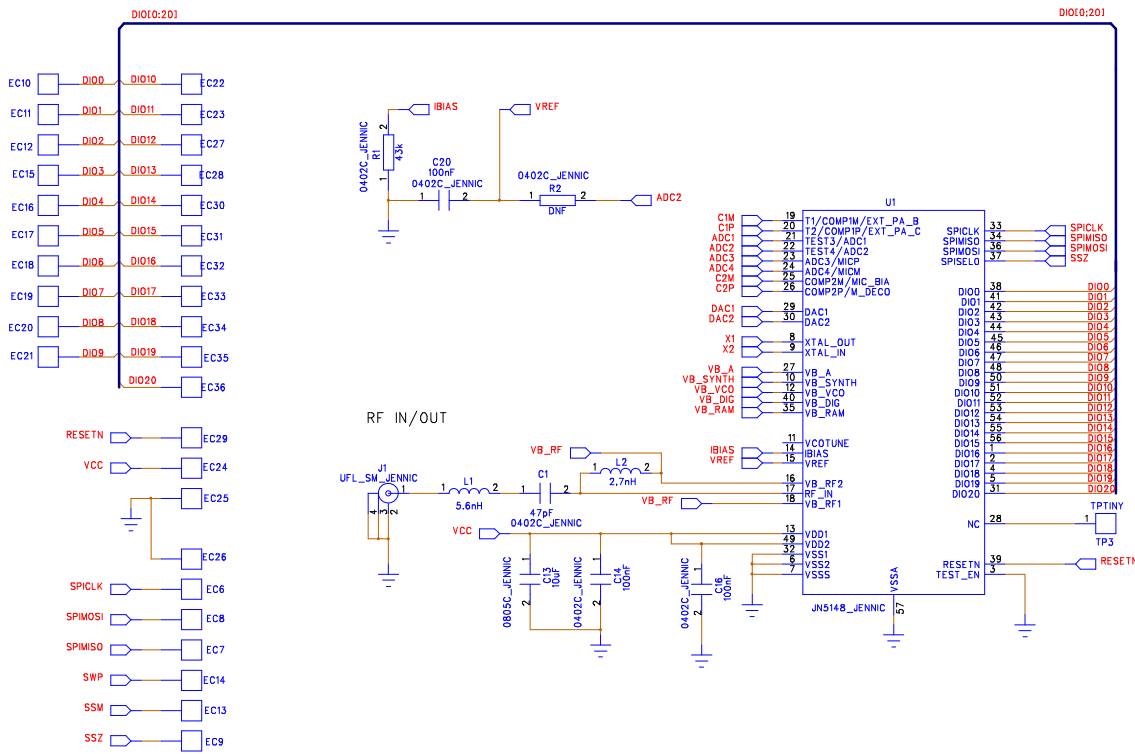


REVISION RECORD			
LTR	ECO NO:	APPROVED:	DATE:



COMPANY: JENNIC

TITLE: JN5148 uFL MODULE

DRAWN: MDG	DATED: 6/1/09
CHECKED: CFARL	DATED: 6/1/09
QUALITY CONTROL:	DATED:
RELEASED:	DATED:

CODE:	SIZE:	DRAWING NO: DR1110	REV: 1.0.0
SCALE:			SHEET: 1 OF 1