

6

5

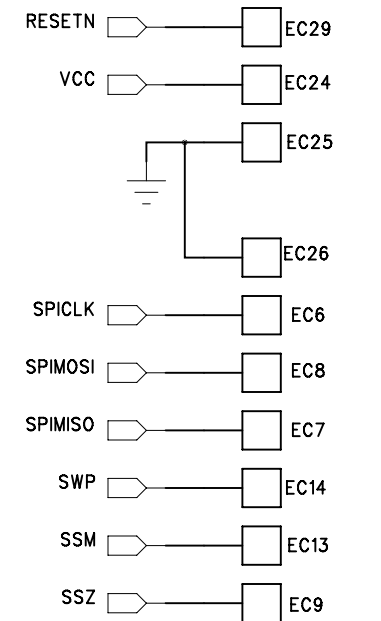
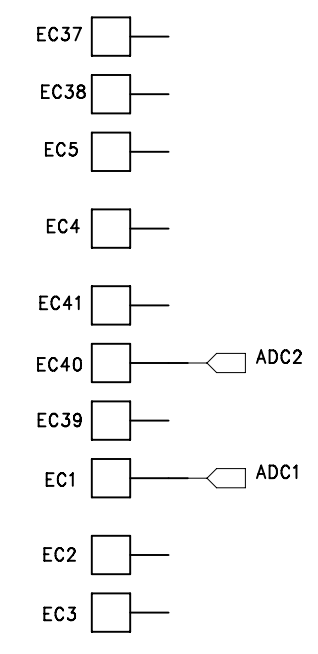
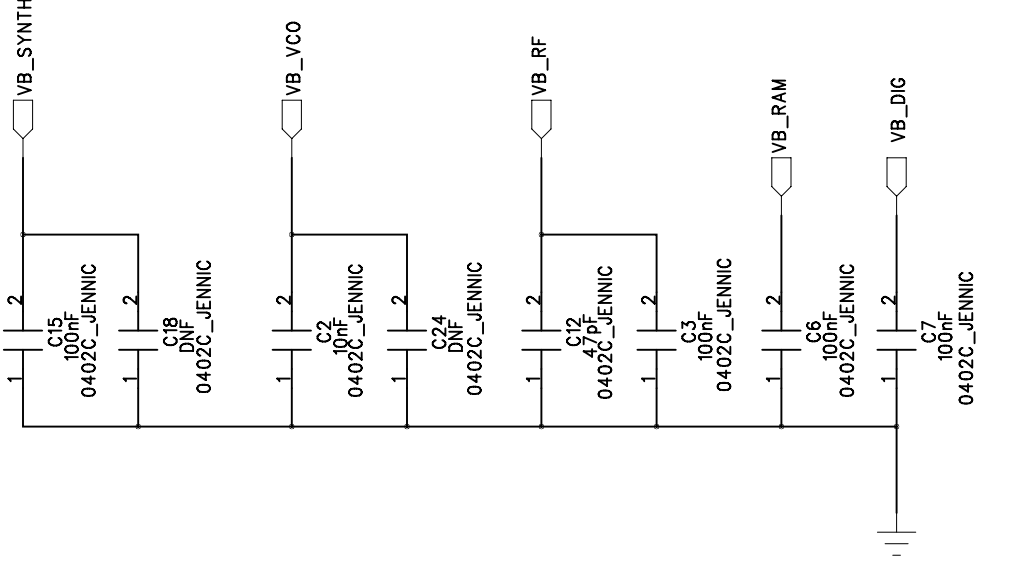
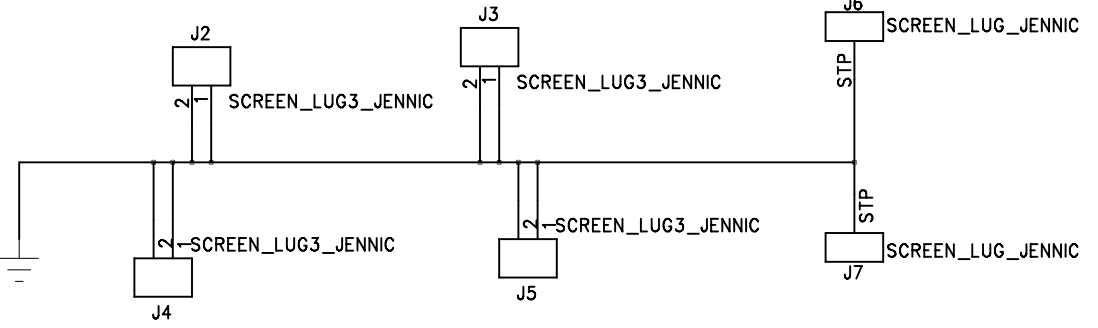
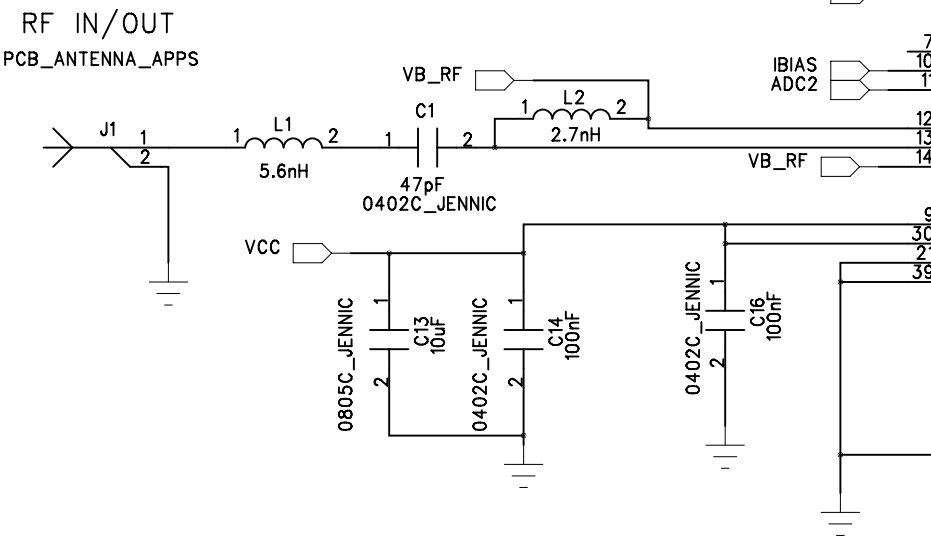
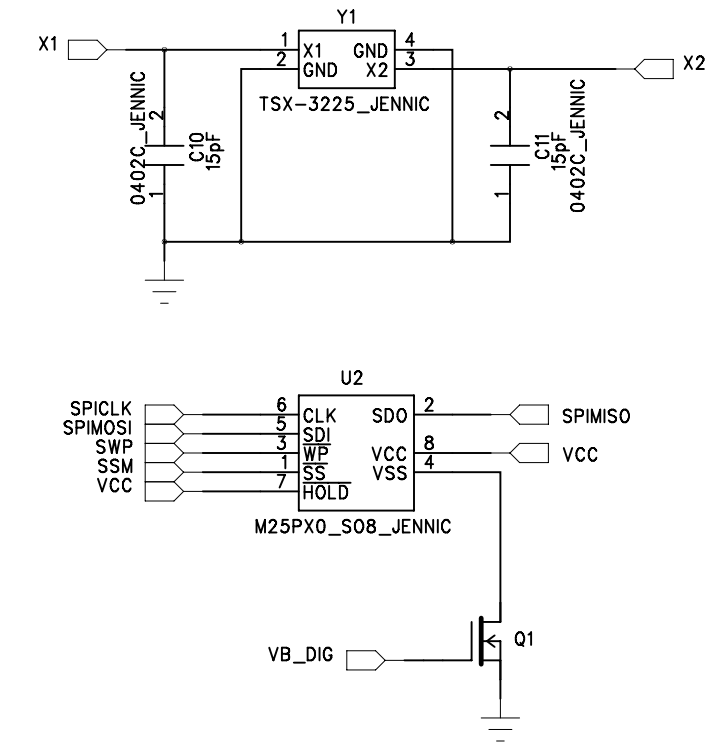
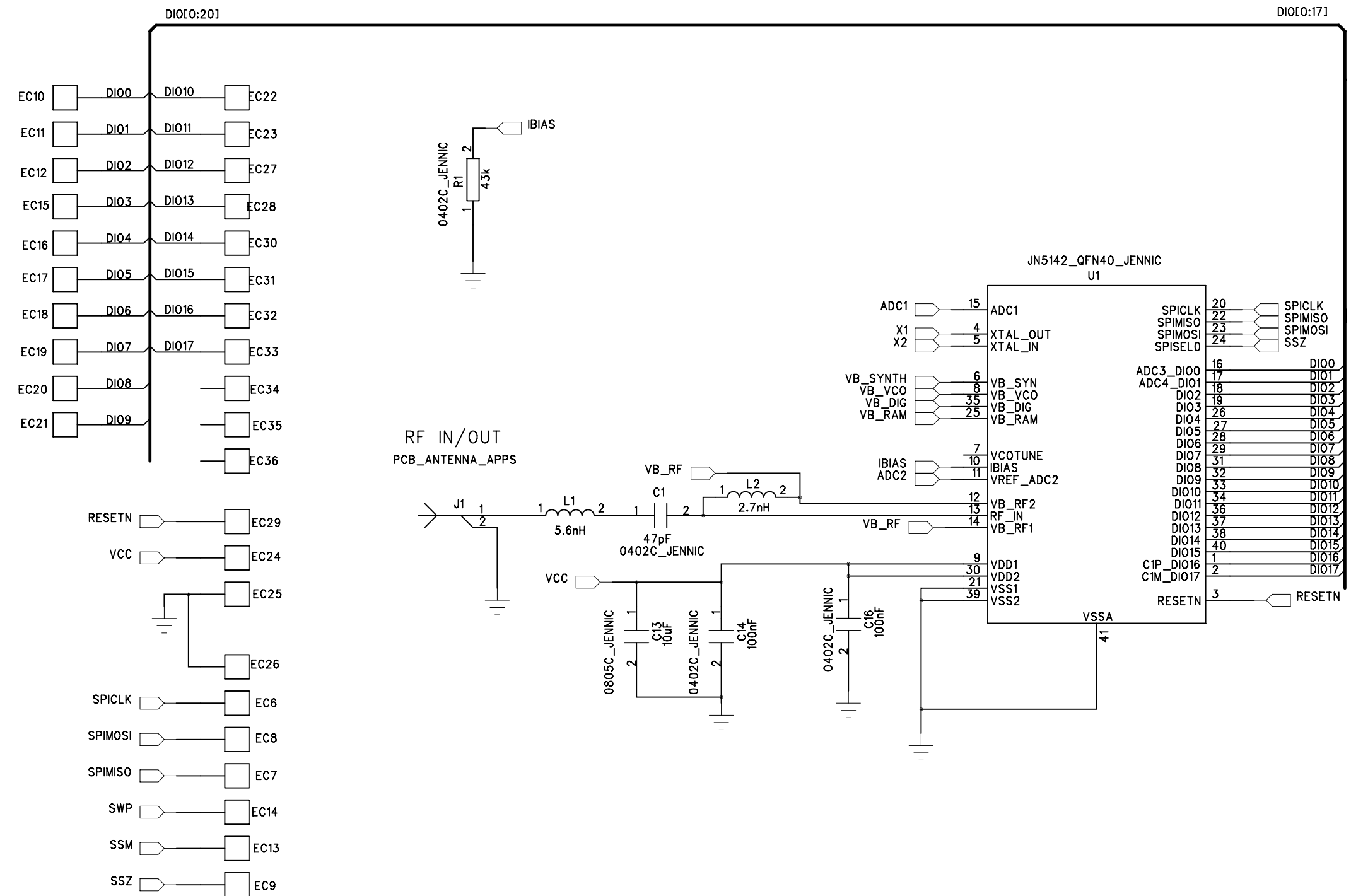
4

3

2

1

REVISION RECORD			
LTR	ECO NO:	APPROVED:	DATE:



COMPANY: NXP			
TITLE: JN5142 Printed Antenna Module			
DRAWN: MDG	DATED: 14/09/11	CODE:	SIZE:
CHECKED: CFARL	DATED: 14/09/11	DRAWING NO: DR1149	
QUALITY CONTROL:	DATED:	REV: 1.1.0	
RELEASED:	DATED:	SCALE:	
SHEET: 1 OF 1			