



## BKR2400

### 2.4 GHz Multi-position Antenna

#### Features

- ◆ Groundplane Independent
- ◆ External Mount Antenna
- ◆ Fixes in three positions
- ◆ Ideal for fixed terminals

#### Specifications

Radiating element	1/2 Wave Dipole
Frequency range	2.4-2.5 GHz
Peak gain	2 dBi
Polarisation	Linear
Return loss	-13 dB
Power rating	10W
Cable / Connector	SMA-Male or RP-SMA
Dimensions	139 x 13mm (max)

#### Ordering Options

FBKR35068-SM-KR	BKR2400 with SMA-Male Connector
FBKR35068-RS-KR	BKR2400 with RP-SMA Connector

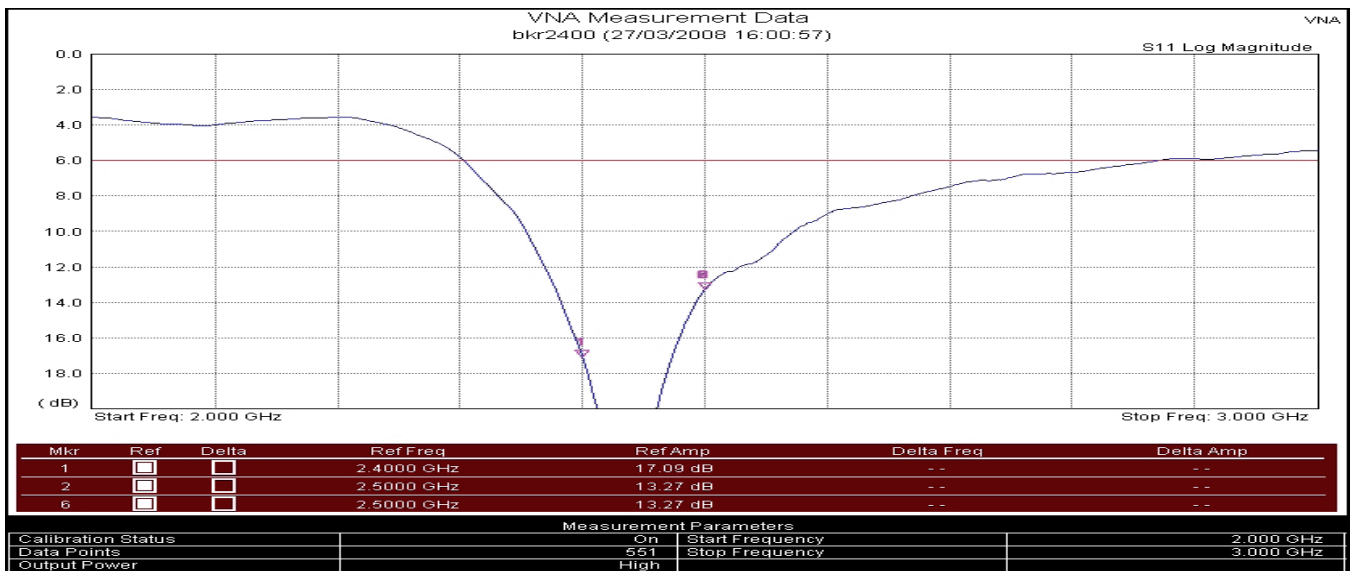
Specifications subject to change without notice.

5 Little Balmer  
Buckingham Industrial Park  
Buckingham  
MK18 1HJ  
UK

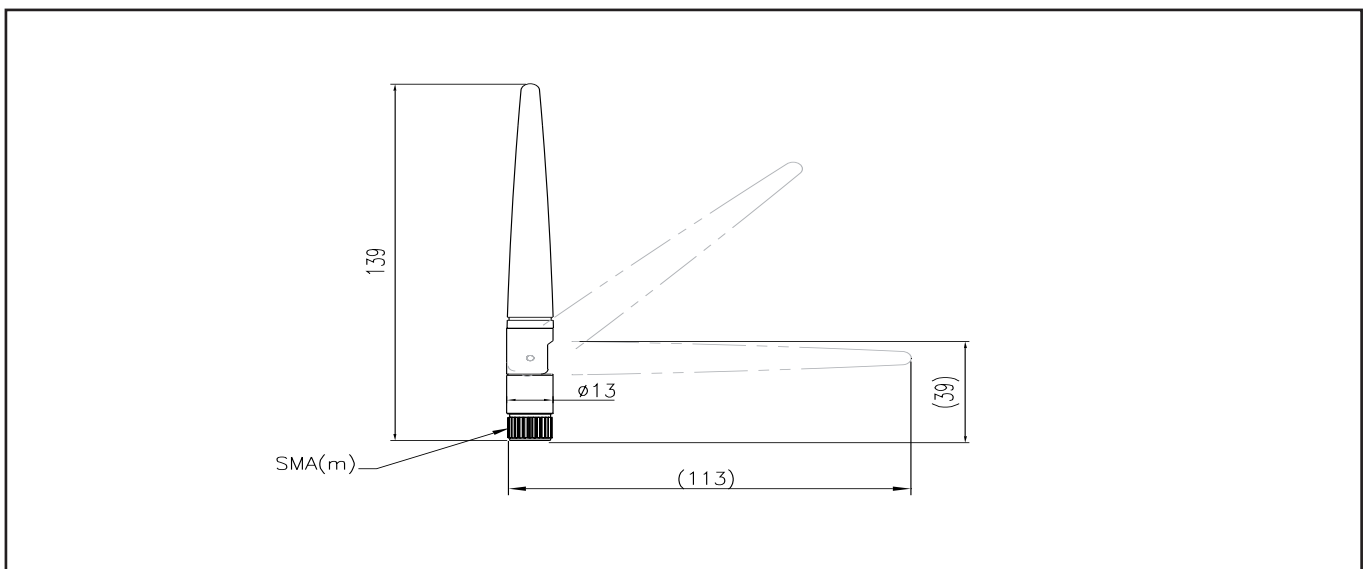
Tel: +44 (0)1280 824055  
Fax: +44 (0)1280 817179  
Email: [sales@ead-ltd.com](mailto:sales@ead-ltd.com)  
Web: [www.ead-ltd.com](http://www.ead-ltd.com)

## BKR2400 | 2.4 GHz Multi-position Antenna

### Return Loss



### Outline Drawing



Specifications subject to change without notice.

5 Little Balmer  
Buckingham Industrial Park  
Buckingham  
MK18 1HJ  
UK

Tel: +44 (0)1280 824055  
Fax: +44 (0)1280 817179  
Email: sales@ead-ltd.com  
Web: www.ead-ltd.com