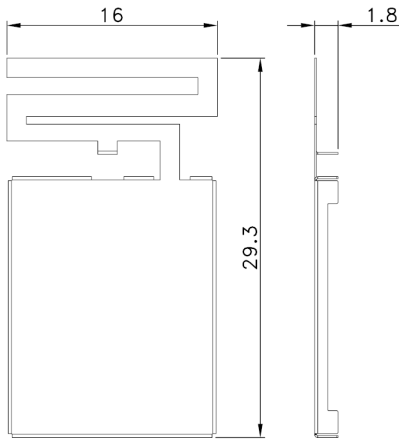
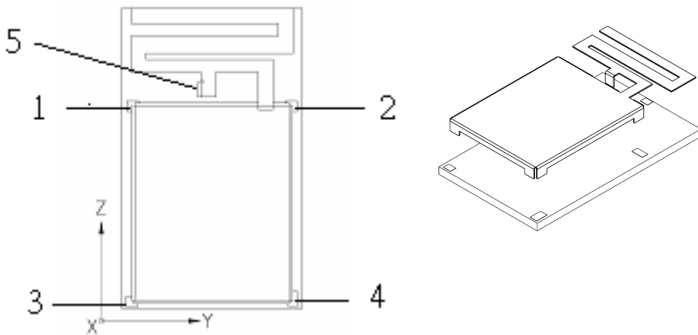


Mechanical Drawing



Unit: mm

1~4	Ground
5	Feed point



Electrical Specification

Frequency Range	2.4~2.4835GHz
Impedance	50Ω
V.S.W.R.	≤2.0
Gain	2dBi

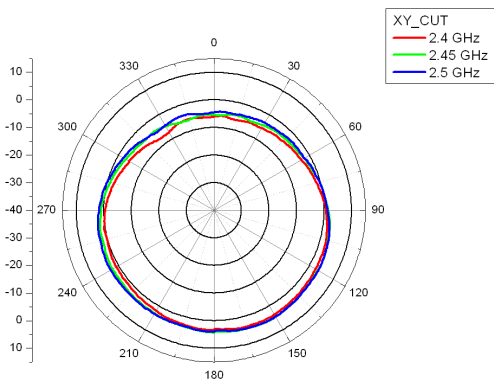
Mechanical Specification

Connector Type	--
Material	Nickel silver Strip
Cable	--
Bushing Type	--
Accessory Or Other	--
Water Proof	--
Weight	--

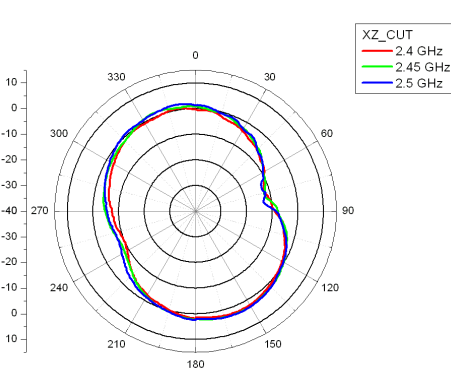
Environmental Specification

Operating Temp	- 20°C ~ + 65°C
Storage Temp	- 30°C ~ + 70°C
Substance	Meets RoHs requirement

XY-CUT



XZ-CUT



YZ-CUT

