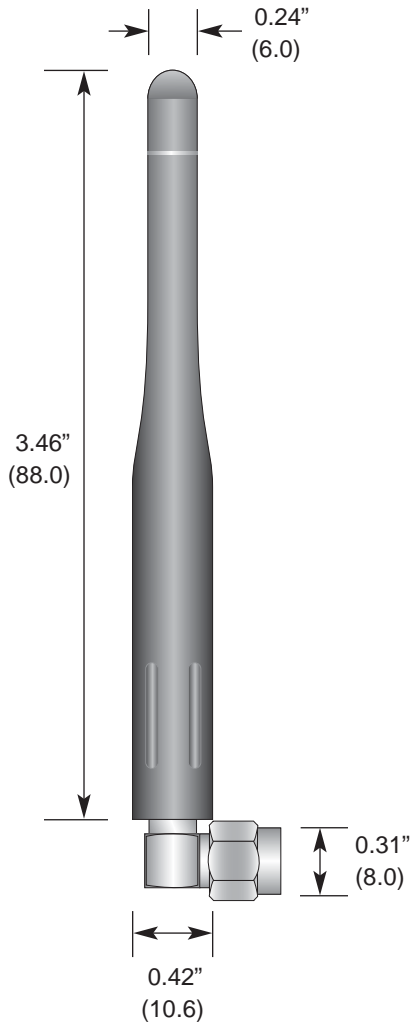


Product Dimensions



Description



The RCL Series is useful in products where additional height above the product's case is needed or a slightly wider operational bandwidth is desired. The 2.45GHz version has a center-fed 1/2-wave element with an internal ground reference.

Features

- Right-angle mount
- Excellent performance
- Omni-directional pattern
- Fully weatherized
- Rugged & damage-resistant
- Part 15 compliant RP-SMA connector
- Available in black or custom colors
- Use with plastic or metal enclosures

Electrical Specifications

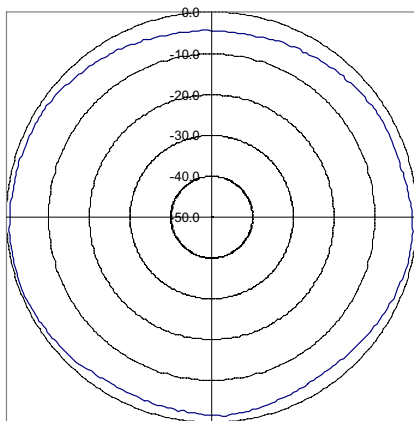
- Center Freq. 2.45GHz
- Bandwidth 120MHz
- Wavelength 1/2-wave
- VSWR <1.7 typ. at center
- Impedance 50 ohms
- Gain 2.90dBi
- Connector RP-SMA

Electrical specifications and plots measured on 4.00" x 4.00" reference ground plane

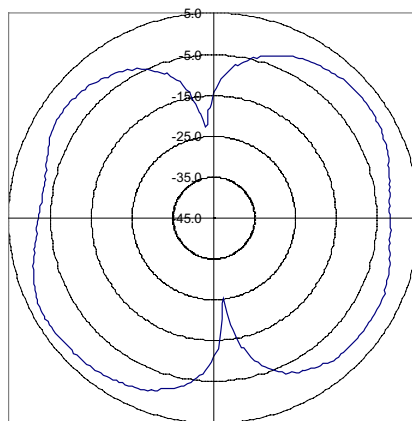
Ordering Information

- ANT-2.4-CW-RCL

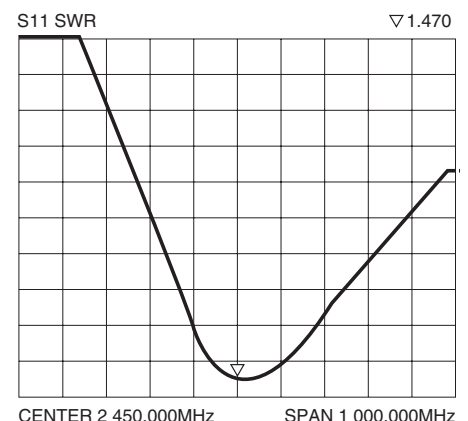
Polar Plots and VSWR Graph



Azimuth



Elevation

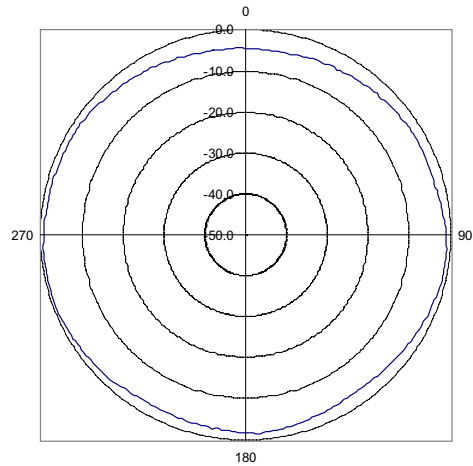
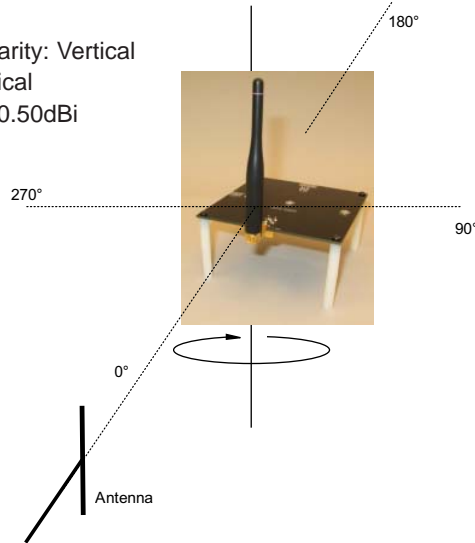


Typical VSWR



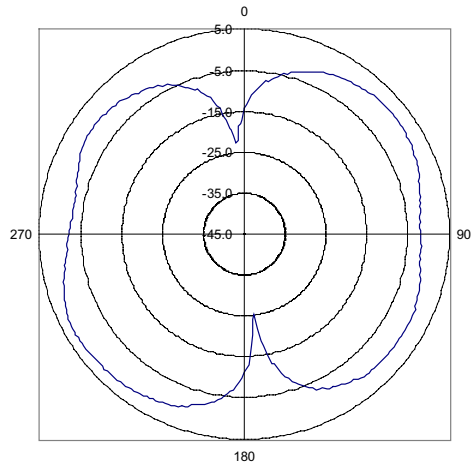
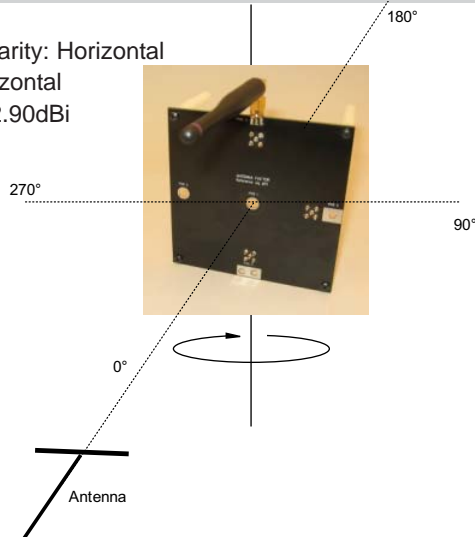
Azimuth Radiation Pattern

Measurement Antenna Polarity: Vertical
 Test Antenna Polarity: Vertical
 Maximum Absolute Gain: -0.50dBi



Elevation Radiation Pattern

Measurement Antenna Polarity: Horizontal
 Test Antenna Polarity: Horizontal
 Maximum Absolute Gain: 2.90dBi



Antenna Test Fixture

ABOUT THIS TEST FIXTURE

The adjoining diagram shows the dimensions of the fixture on which the stated pattern and gain measurements were made. This does not mean that your product must conform to this size or antenna orientation, although it should be recognized that the gain, pattern, and performance may increase or decrease accordingly. Antenna Factor recognizes that our antennas are often used in compact applications with less than ideal ground planes. In some cases, the reference jig is smaller than optimum, particularly with lower-frequency antennas. This is, in part, to more accurately reflect the performance of the antenna in typical real-world applications.

