

6

5

4

3

2

1

REVISION RECORD			
LTR	ECO NO:	APPROVED:	DATE:

D

D

C

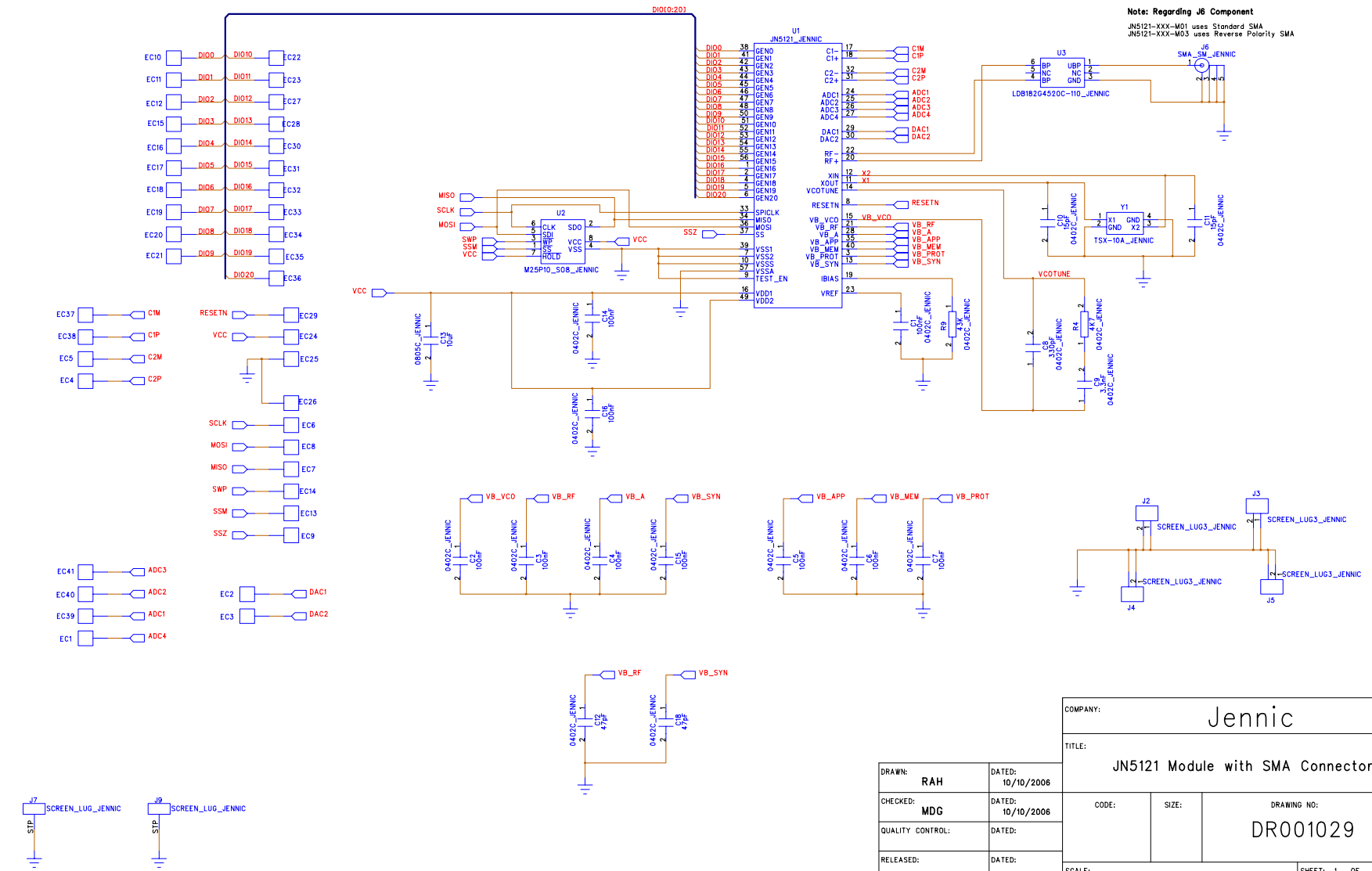
C

B

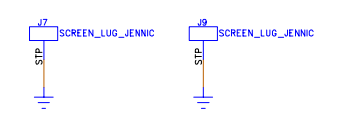
B

A

A



Note: Regarding J6 Component
 JN5121-XXX-M01 uses Standard SMA
 JN5121-XXX-M03 uses Reverse Polarity SMA



COMPANY: Jennic			
TITLE: JN5121 Module with SMA Connector			
DRAWN: RAH	DATED: 10/10/2006	CODE:	SIZE:
CHECKED: MDG	DATED: 10/10/2006	DRAWING NO: DR001029	
QUALITY CONTROL:	DATED:	REV: R3.0.1	
RELEASED:	DATED:	SCALE:	
			SHEET: 1 OF 1

Item	QTTY	Component Reference	Description
1	10	C1,C2,C3,C4,C5,C6,C7,C14,C15,C16	Capacitor 100nF 0402 X5R
2	1	C8	Capacitor 330pF 0402 COG
3	1	C9	Capacitor 3.3nF 0402 X7R
4	2	C10,C11	Capacitor 15pF 0402 COG
5	1	C13	Capacitor 10uF 6.3V 0805 X5R
6	2	C12,C18	Capacitor 47pF 0402 NPO
7	1	J6	Reverse Polarity SMA Connector
8	1	R4	Resistor 4K7 0402 1%
9	1	R9	Resistor 43K 0402 1%
10	1	U1	IC JN5121
11	1	U2	IC Serial 3V Flash SMD M25P10-AVMN6P
12	1	U3	Balun muRata LDB182G4520C-110
13	1	Y1	Crystal SMD TSX-10A (TSX-4025 TN4-25820)
14	1	PCB	PCB for ZED Module with SMA (DR1029)

Assembly	Description	Revision
DR1029	SMA Module PCB	3.0