

6

5

4

3

2

1

REVISION RECORD			
LTR	ECO NO:	APPROVED:	DATE:

D

D

C

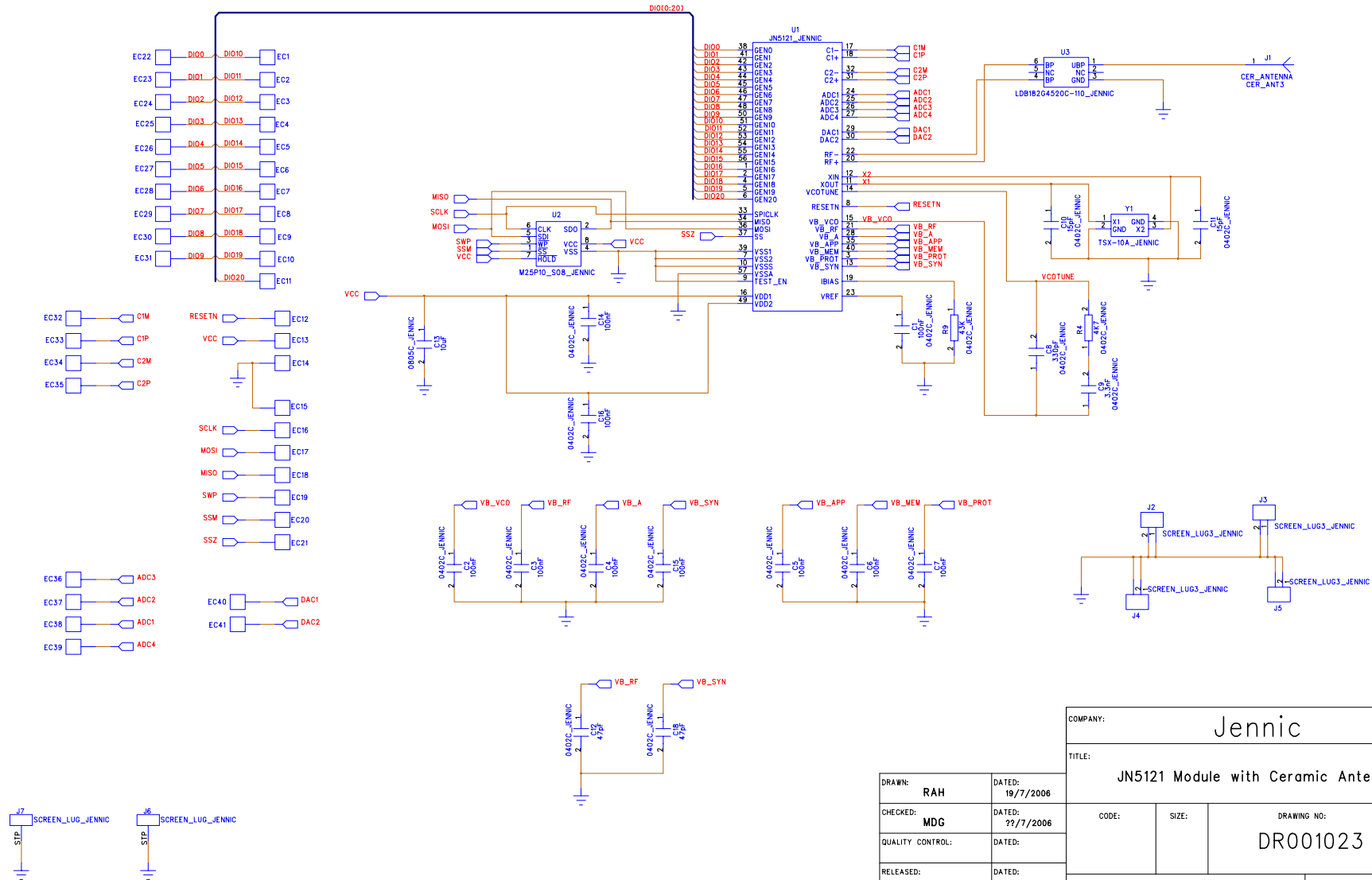
C

B

B

A

A



COMPANY: Jennic			
TITLE: JN5121 Module with Ceramic Antenna			
DRAWN: RAH	DATED: 19/7/2006	CODE:	SIZE:
CHECKED: MDG	DATED: ??/7/2006	DRAWING NO: DR001023	
QUALITY CONTROL:	DATED:	REV: R3.0	
RELEASED:	DATED:	SCALE:	
SHEET: 1			OF 1