

THE ARTWORK MUST BE MADE ACCORDING TO THE FILE  
AVIH00000708-01 - A1 - artwork.pdf

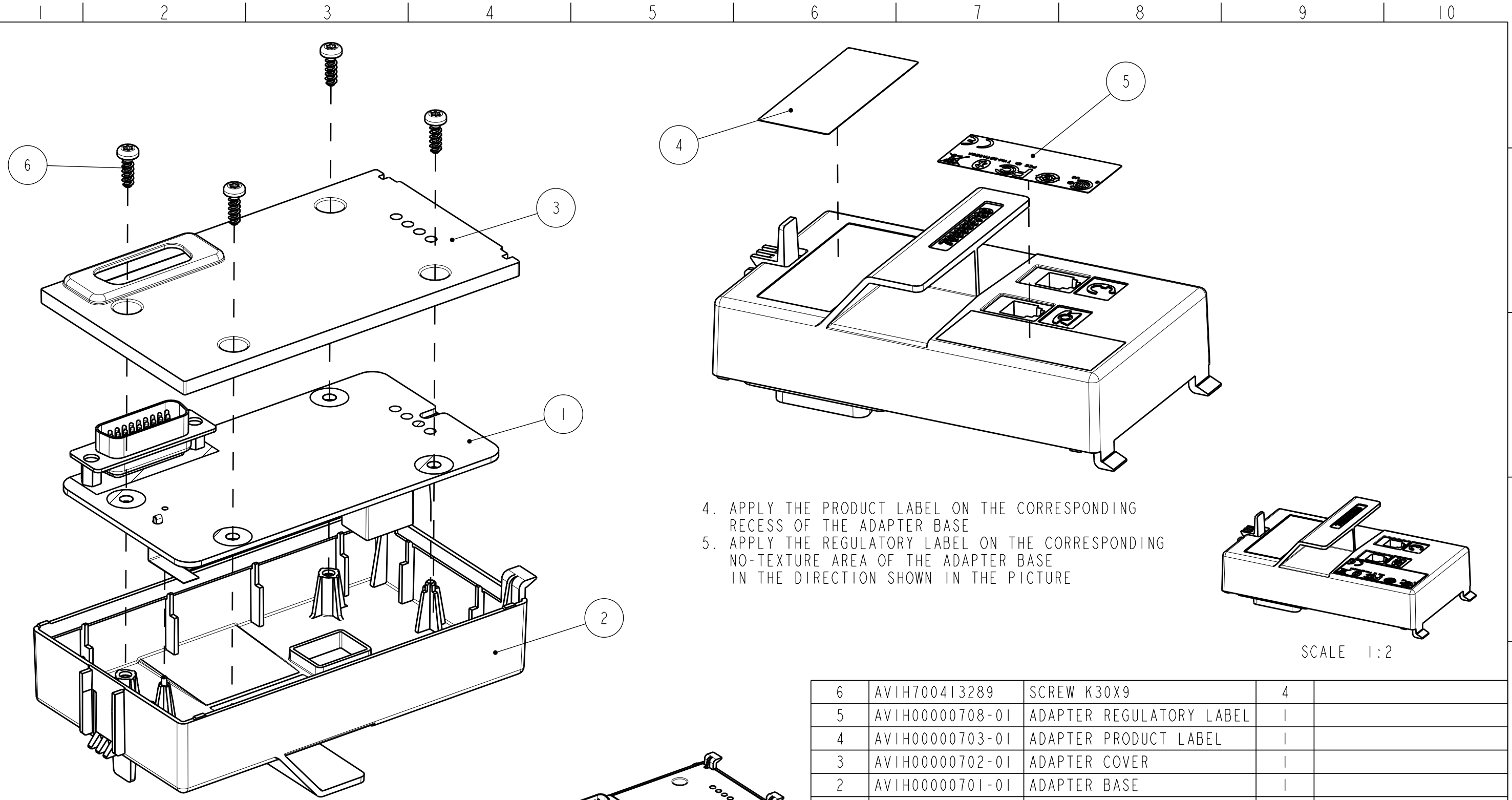
MATERIAL: 0.05mm THICK WHITE POLYESTER WITH 0.025 mm MATTE MYLAR LAMINATE.  
THE ADHESIVE SHALL BE FLEXCON V-23 OR AN APPROVED EQUIVALENT.  
THE MATERIAL SHALL BE UL APPROVED AND RECOGNIZED

THE PART MUST BE ROHS COMPLIANT AND FLEXTRONICS FBP-RHS 500 COMPLIANT

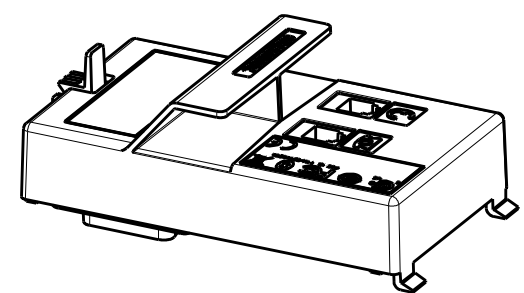
ALL INFORMATION IS AVAILABLE IN PRO/E AND CAN BE SUPPLIED AS DXF/DWG OR IGES DATA

|  |  |                   |            |                      |                                 |              |                       |
|--|--|-------------------|------------|----------------------|---------------------------------|--------------|-----------------------|
| <b>FLEXTRONICS Design</b>                    |  |                   | UNIT<br>mm | TYPE<br>PART DRAWING | CREATED BY<br>Iacopo Ferrari    | FORMAT<br>A4 | REVISION<br><b>A1</b> |
| CLIENT<br><b>AVAYA</b>                       |  |                   |            |                      | CREATION DATE<br>19-Apr-07      | SCALE<br>2:1 | SHEET<br>1/2          |
| PART NAME<br><b>ADAPTER REGULATORY LABEL</b> |  |                   |            |                      | PART CODE CLIENT<br>-           |              |                       |
| PROJECT NAME<br><b>NIMBUS</b>                |  |                   |            |                      | TOOL CODE CLIENT<br>-           |              |                       |
| MATERIAL<br>see note                         |  |                   |            |                      | PART CODE FD<br>AVIH00000708-01 |              |                       |
| TREATMENT<br>-                               |  |                   |            |                      | TOOL CODE FD<br>-               |              |                       |
| UPDATED BY<br>Iacopo Ferrari                 |  | DATE<br>26-Apr-07 | CHECKED BY |                      | DATE                            | PLOTTED      |                       |

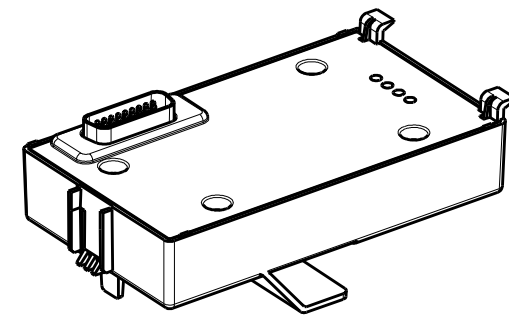




4. APPLY THE PRODUCT LABEL ON THE CORRESPONDING RECESS OF THE ADAPTER BASE
5. APPLY THE REGULATORY LABEL ON THE CORRESPONDING NO-TEXTURE AREA OF THE ADAPTER BASE IN THE DIRECTION SHOWN IN THE PICTURE



SCALE 1:2



SCALE 1:2

1. PLACE THE ADAPTER PCB ON THE ADAPTER BASE. MAKE SURE THAT THE ALIGNING PIN OF THE BASE IS FULLY INSERTED INSIDE THE HOLE OF THE PCB
2. PLACE THE ADAPTER COVER ON THE ADAPTER BASE
3. FIX THE THE COVER WITH 4 SCREWS. TIGHTENING TORQUE: 30 cNm

THE ASSEMBLY MUST BE ROHS COMPLIANT AND FLEXTRONICS FBP-RHS 500 COMPLIANT

| INDEX | CODE            | DESCRIPTION              | QTY | NOTE |
|-------|-----------------|--------------------------|-----|------|
| 6     | AVIH700413289   | SCREW K30X9              | 4   |      |
| 5     | AVIH00000708-01 | ADAPTER REGULATORY LABEL | 1   |      |
| 4     | AVIH00000703-01 | ADAPTER PRODUCT LABEL    | 1   |      |
| 3     | AVIH00000702-01 | ADAPTER COVER            | 1   |      |
| 2     | AVIH00000701-01 | ADAPTER BASE             | 1   |      |
| 1     | AVIH00000100-01 | ADAPTER PCB ASSY         | 1   |      |

ALL INFORMATION IS AVAILABLE IN PRO/E AND CAN BE SUPPLIED AS DXF/DWG OR IGES DATA

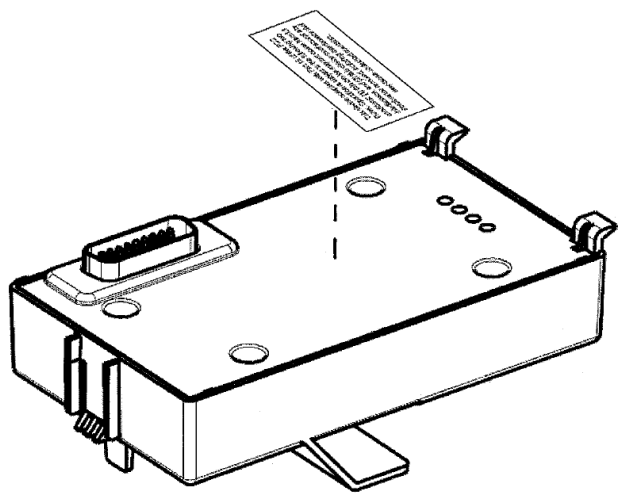
|                              |  |                            |            |                          |                                 |                 |                |
|------------------------------|--|----------------------------|------------|--------------------------|---------------------------------|-----------------|----------------|
| <b>FLEXTRONICS</b><br>Design |  |                            | UNIT<br>mm | TYPE<br>ASSEM<br>DRAWING | CREATED BY<br>Iacopo Ferrari    | FORMAT<br>A3    | REVISION<br>A4 |
| CLIENT<br>AVAYA              |  | CREATION DATE<br>08-Aug-06 |            | SCALE<br>1:1             | SHEET<br>1/2                    |                 |                |
| PART NAME<br>ADAPTER ASSY    |  |                            |            |                          | PART CODE CLIENT<br>-           |                 |                |
| PROJECT NAME<br>NIMBUS       |  |                            |            |                          | TOOL CODE CLIENT<br>-           |                 |                |
| MATERIAL<br>-                |  |                            |            |                          | PART CODE FD<br>AVIH00000700-01 |                 |                |
| TREATMENT<br>-               |  |                            |            |                          | TOOL CODE FD<br>-               |                 |                |
| UPDATED BY<br>Iacopo Ferrari |  | DATE<br>26-Apr-07          |            | CHECKED BY               |                                 | DATE<br>PLOTTED |                |



This device complies with Part 15 of the FCC Rules. Operation is subject to the following two conditions: (1) this device may not cause harmful interference, and (2) this device must accept any interference received, including interference that may cause undesired operation.

50,80

20,57



| Bill of material                                |          |  |               |
|---|----------|--|---------------|
| Item no.  | Quantity | Description                                    |               |
| 1   | 1        | RAW LABEL, 804-AVIH00000006                    |               |
| Prepared<br>Tobias Andersson                    |          |  |               |
| Document respons / Approved<br>Tobias Andersson |          | Date<br>2007-05-08                             | Rev<br>A2     |
| Item designation<br>BT ADAPTER                  |          | Product name<br>LABEL, FCC PART 15, BT ADAPTER |               |
| Unit<br>mm                                      |          | Document No                                    |               |
| Scale<br>Not scaled                             |          | AVIH00000711-01                                |               |
|   |          |  | Sheet<br>1(1) |