

FCC Caution:

The manufacturer is not responsible for radio interference caused by unauthorized modifications to this equipment. Such modifications could void the user's authority to operate the equipment.

This device complies with Part 15 of the FCC Rules. Operation is subject to the following two conditions:

- 1) This device may not cause harmful interference, and
- 2) This device must accept any interference received, including interference that may cause undesired operation.

These limits are designed to provide reasonable protection against harmful interference in a residential installation. This equipment generates uses and can radiate radio frequency energy and, if not installed and used in accordance with the instructions, may cause harmful interference to radio communications. However, there is no guarantee that interference will not occur in a

particular installation. If this equipment does cause harmful interference to radio or television reception, which can be determined by turning the equipment off and on, the user is encouraged to try to correct the interference by one or more of the following measures:

- Reorient or relocate the receiving antenna.
- Increase the separation between the equipment and receiver.
- Connect the equipment into an outlet on a circuit different from that to which the receiver is connected.
- Consult the dealer or an experienced radio/TV technician for help.

Changes or modifications not expressly approved by the party responsible for compliance could void the user's authority to operate the equipment.

Battery Care

WARNING When batteries are not in tool or charger, keep them away from metal objects. For example, to protect terminals from shorting **DO NOT** place

batteries in a tool box or pocket with nails, screws, keys, etc. Fire or injury may result.

DO NOT PUT BATTERIES INTO FIRE OR EXPOSE TO HIGH HEAT. They may explode.

Battery Disposal

WARNING Do not attempt to disassemble the battery or remove any component projecting from the battery terminals. Fire or injury may result. Prior to disposal, protect exposed terminals with heavy insulating tape to prevent shorting.

Lithium-ion Batteries

If equipped with a lithium-ion battery, the battery must be collected, recycled or disposed of in an environmentally sound manner.

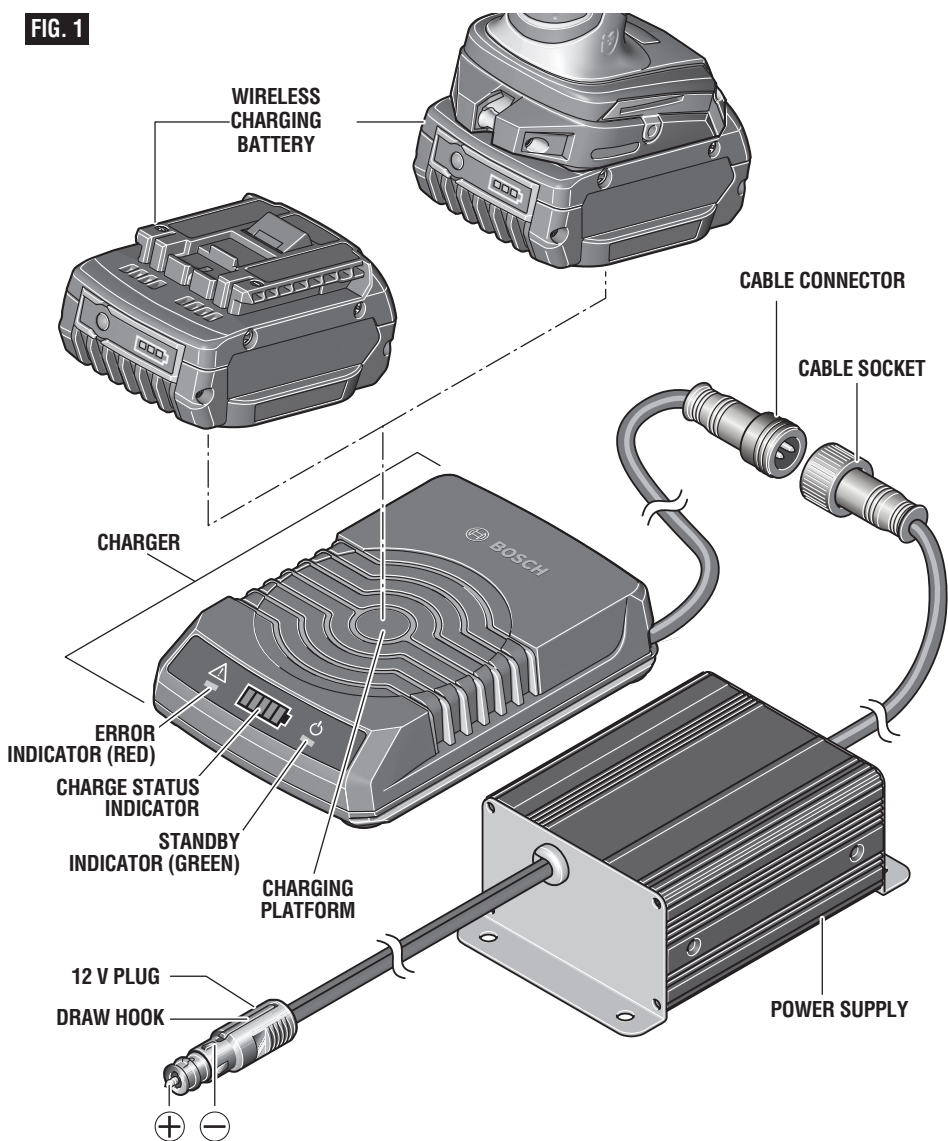


"The EPA certified RBRC Battery Recycling Seal on the lithium-ion (Li-ion) battery indicates Robert Bosch Tool Corporation is voluntarily participating in an

industry program to collect and recycle these batteries at the end of their useful life, when taken out of service in the United States or Canada. The RBRC program provides a convenient alternative to placing used Li-ion batteries into the trash or the municipal waste stream, which may be illegal in your area.

Please call 1-800-8-BATTERY for information on Li-ion battery recycling and disposal bans/restrictions in your area, or return your batteries to a Skil/Bosch/Dremel Service Center for recycling. Robert Bosch Tool Corporation's involvement in this program is part of our commitment to preserving our environment and conserving our natural resources."

FIG. 1



Charger WC18CV

Input voltage: 290V ~

Output: 18V ~ 3A

Power supply 1600A00AM7 (Designed for use with 12V automotive DC system)

Input voltage: 13.3 – 16.3V ~

Output: 290V ~

Approximate Charging time for 2Ah battery:
45min - 80%, 55min - 100%

Approximate Charging time for 4Ah battery:
75min - 80%, 95min - 100%

⚠ WARNING This charger will only charge the following Wireless charging battery packs: WCBAT612-WCBAT625. Voltage rating 18V ~

For most up to date battery compatibility, please refer to www.boschtools.com

WC18H Holster Assembly

The Bosch power supply and wireless charger must be used in conjunction with the wireless charging holster WC18H.

Add/change Holster Inserts

The holster is compatible with the following Bosch 18V Drill/Drivers and Impact Drivers through the use of specially-designed inserts (see Fig. 2a). When purchased as a toolkit, the correct insert is shipped with the toolkit. When purchased as a starter kit, the correct insert should be selected from the Holster Insert Compatibility table and installed according to the instructions below.

Holster-Compatible Tool	Insert
DDH181 HDH181 DDH181X HDH181X	1
DDS181 DDS181A HDS181 HDS181A DDS182 HDS182 DDS183 HDS183	2
25618	3
IDH182	4

Note: Refer to Fig. 2a.

1. Remove Screw/Nut 1.
2. Loosen the (2x) Screw 2.
3. Remove installed inserts, pinching the bottom of inserts and pulling them from the holster.
4. Position new inserts, matching left and right sides appropriately. Grooves in inserts and holster should align.
5. Retighten (2x) Screw 2.
6. Reattach and tighten Screw/Nut 1.

Installing the Charger into the Holster

1. Slide the charger into the tray. (Fig. 2b) Be sure that the charger is fully inserted into the tray and that the power cord is routed out the back of the tray.
2. Slide the tray into the holster. For WCBAT612-WCBAT615 batteries, slide the tray guide rails into the upper tray guide slot. For WCBAT620-WCBAT625 batteries, slide the tray guide rails into the lower tray guide slot. Be sure to route the power cord through the back of the holster. (Fig. 2a)

Removing the Charger from the Holster

1. Unplug the power cord from power supply
2. Remove the tray from the holster (Fig. 2a)
3. Remove the charger from the tray by first pulling charger up, then out of the tray (Fig. 2b).

FIG. 2a

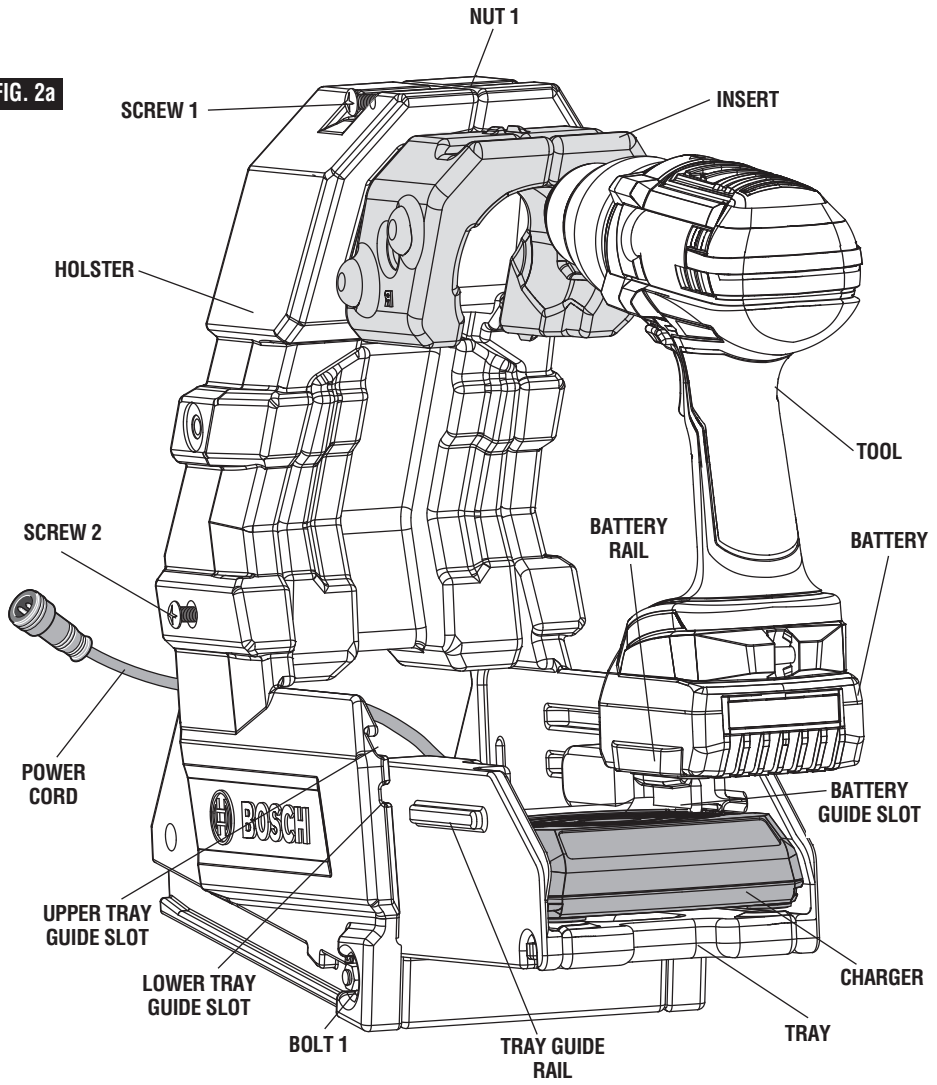
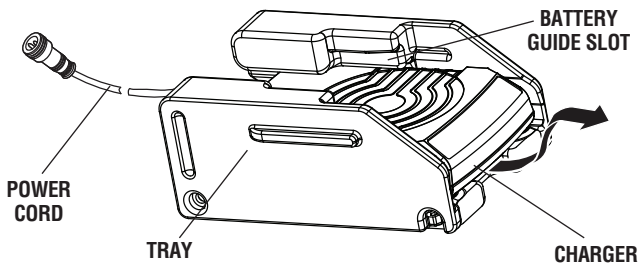


FIG. 2b



Installation

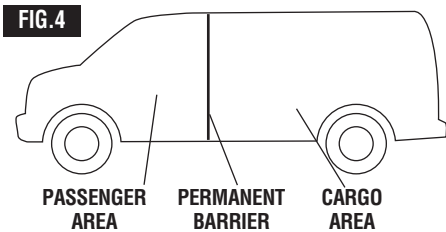
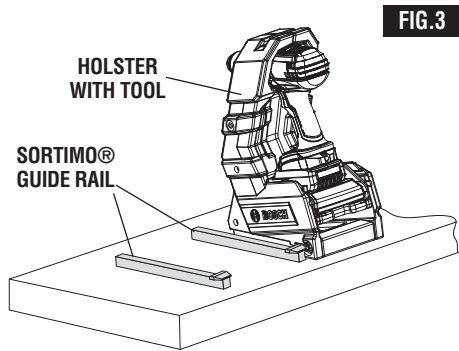
The Bosch power supply and wireless charger must be used in conjunction with the wireless charging holster WC18H. The holster allows secure installation in the cargo areas of a vehicle, either fastened to a shelf or to a wall.

Users with Sortimo® van racking systems may opt to install the holster between standard Sortimo® guide rails (Fig. 3).

⚠ WARNING **Unplug power supply and charger from outlet before installation, storage, attempting any maintenance or cleaning.** Such preventive safety measures reduce the risk of electric shock or fire.

⚠ WARNING **Do not use wireless charging frame WC18F in vehicle.** Charging frame may break and lead to personal injury.

⚠ WARNING **Do not install power supply and wireless charging holster in vehicles without a permanent barrier between cargo and passenger areas. Do not install power supply and wireless charging holster in vehicle passenger area.** Power supply and wireless charging holster must be installed in vehicle cargo areas according to mounting instructions. Failure to properly install power supply and wireless charging holster in a vehicle with a permanent barrier between passenger and cargo areas could result in personal injury (Fig. 4).



Holster Side Mounting Instructions

The holster may be mounted to shelf or workbench side walls through the side mounting holes using the hardware provided (Fig. 5).

1. Determine desired mounting position and orientation. Holster may be mounted from either its left or right side. See Fig. 6a for acceptable mounting positions.
2. If mounting holes are not available, mark and pre-drill holes for side mounting bolts. Side mounting bolt spacing is 10 inches (254mm).

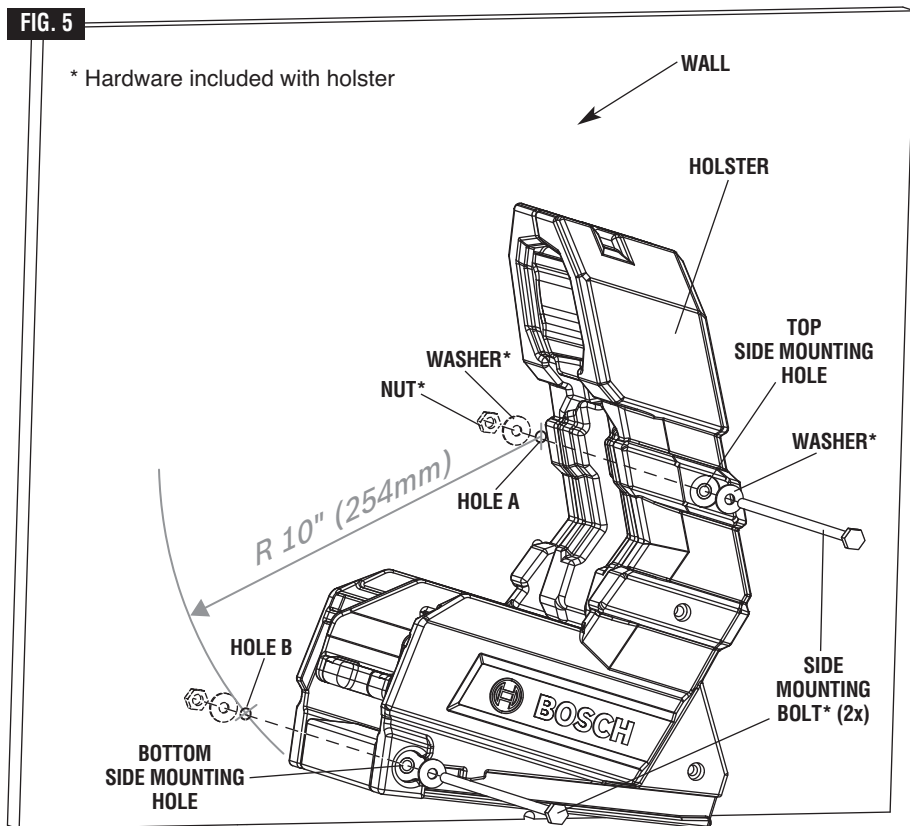
3. Remove Bolt 1 (Fig. 2a) from bottom side mounting hole.

4. Attach holster to wall as shown in Fig. 5

▲ WARNING **Fasten holster securely to side walls.** Holster not securely fastened may become dislodged and lead to personal injury

▲ WARNING **Mount holster in only recommended orientations.** Failure to properly orient holster may cause holster and/or power tool to become dislodged and lead to personal injury.

FIG. 5



Holster Side Mounting Orientation

When side mounting the holster, use only the orientations between 0° and 80° from horizontal relative to the bottom surface of the holster (Fig. 6a). Do not mount the holster in orientations that may cause the

power tool to fall out of holster (Fig. 6b).

Do not mount the holster to a ceiling (Fig. 7a).

Do not mount the holster to a wall using the bottom mounting holes (Fig. 7b).

FIG. 6a

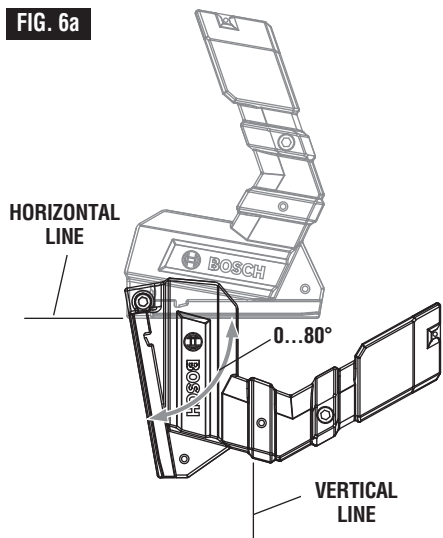


FIG. 6b

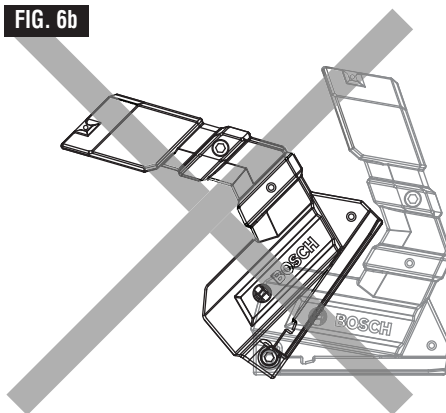


FIG. 7a

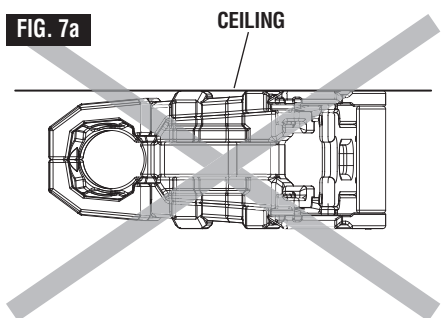
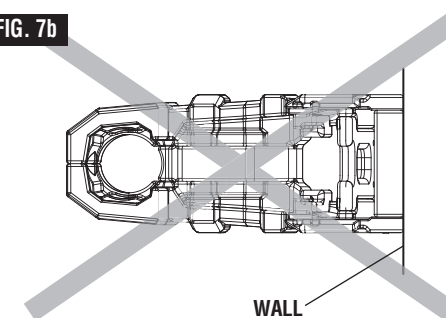


FIG. 7b



Bottom Mounting Instructions

The holster may be mounted to flat surfaces through the holes in its base (Fig 8). Do not mount holster upside down (Fig. 9).

⚠ WARNING Fasten holster securely to horizontal surfaces with appropriate hardware. Holster not securely fastened may become dislodged and lead to personal injury.

FIG. 8

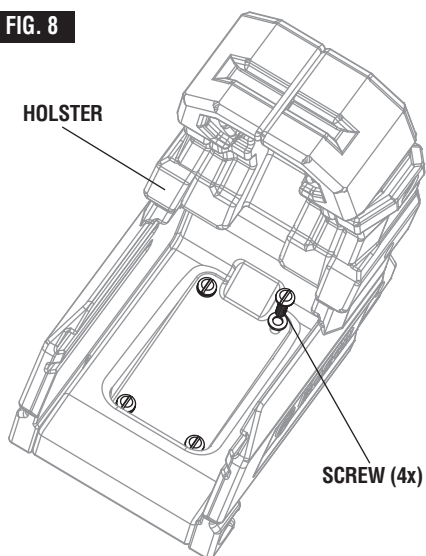
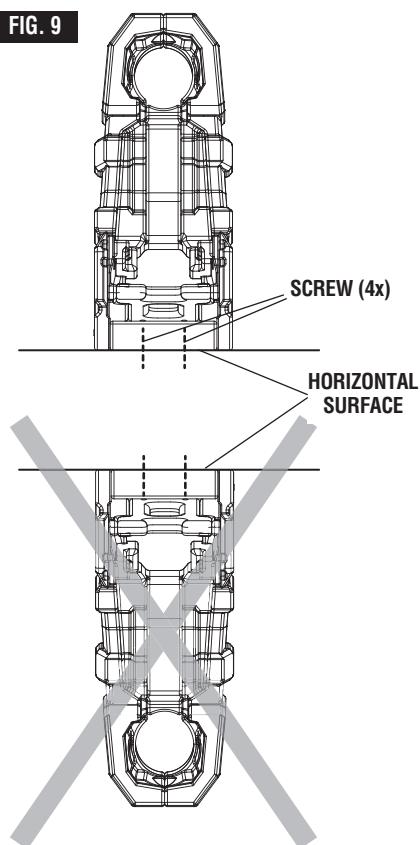


FIG. 9



Power Supply Installation

1. Determine desired mounting position and orientation.
2. If mounting holes are not available, mark and pre-drill holes for the four mounting screws.
3. Attach power supply using suitable mounting screws (not included).
4. Securely connect charger cable connector to the power supply cable socket.

⚠ WARNING To avoid serious injury, the power supply must be mounted securely to vehicle wall or rack storage system by means of the four mounting holes on power supply housing.

Operating Instructions

The battery is supplied partially charged. Completely charge the battery before using your cordless tool for the first time. The lithium ion

battery can be charged at any time, without reducing its service life. Interrupting the charging procedure does not damage the battery.

Charger Indicators, symbols and meaning

If the indicator lights are “OFF”, the charger is not receiving power from power supply outlet.

Continuous Light Standby Indicator (green)



A continuous green standby indicator shows that the working voltage is applied and that the charger is ready for use.

Flashing Charge Status Indicator



The charge status indicator flashes while charging. The number of green bars indicate the charge level. All five bars green means that the battery is fully charged. The light then changes from flashing to continuous. Note: The tool and battery can be removed from the charger at any time and used.

Continuous Error Indicator (red)



A continuous red error indicator shows that the battery or the charger temperature is outside of the permitted temperature range. As soon as the permitted temperature range is reached, the charger automatically begins charging.

Flashing Error Indicator (red)



A flashing red error indicator signals a different charger fault. See ‘Troubleshooting’ section.

Wireless Charging Battery

