

IMPORTANT:
Read Before Using

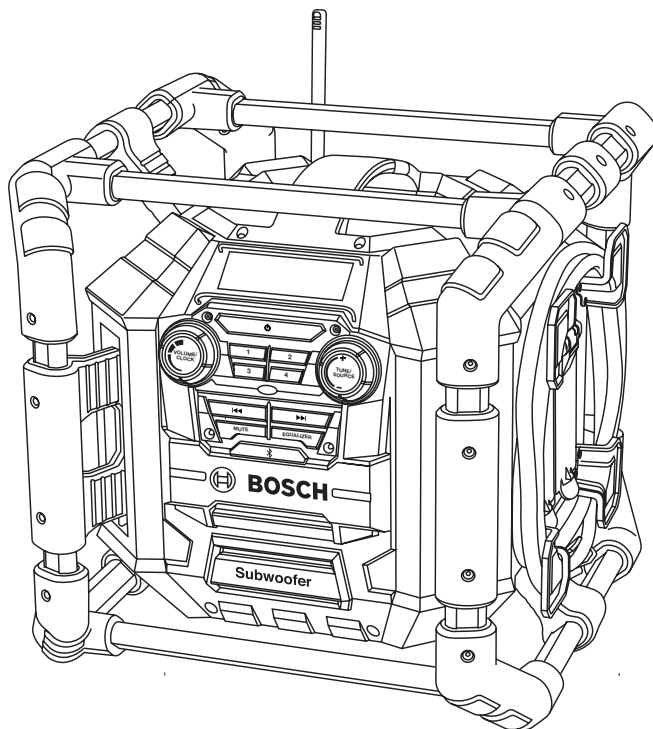
IMPORTANT :
Lire avant usage

IMPORTANTE:
Leer antes de usar



Operating/Safety Instructions
Consignes de fonctionnement/sécurité
Instrucciones de funcionamiento y seguridad

GPB18V-5C



BOSCH

Call Toll Free for
Consumer Information
& Service Locations

Pour obtenir des informations et
les adresses de nos centres de
service après-vente,
appelez ce numéro gratuit

Llame gratis para
obtener información
para el consumidor y
ubicaciones de servicio

1-877-BOSCH99 (1-877-267-2499) www.boschtools.com





For English Version
See page 2

Version française
Voir page 16

Versión en español
Ver la página 30

Safety Symbols

The definitions below describe the level of severity for each signal word.
Please read the manual and pay attention to these symbols.

	This is the safety alert symbol. It is used to alert you to potential personal injury hazards. Obey all safety messages that follow this symbol to avoid possible injury or death.
	DANGER indicates a hazardous situation which, if not avoided, will result in death or serious injury.
	WARNING indicates a hazardous situation which, if not avoided, could result in death or serious injury.
	CAUTION indicates a hazardous situation which, if not avoided, could result in minor or moderate injury.

IMPORTANT SAFETY INSTRUCTIONS

 **Read all safety warnings and all instructions in this manual and in the battery charger manual. Failure to follow the warnings and instructions may result in electric shock, fire and/or serious injury.**

SAVE ALL WARNINGS AND INSTRUCTIONS FOR FUTURE REFERENCE

The term “unit” in the warnings refers to your Bosch GPB18V-5C.

1. Read these instructions.
2. Keep these instructions.
3. Heed all warnings.
4. Follow all instructions.
5. Do not use this unit near water. Do not expose unit to rain or moisture. Never immerse the unit in liquid or allow any liquid to flow inside the unit. Water entering a unit will increase the risk for electric shock.
6. Clean only with dry cloth. Do not use cleaning agents or solvent.
7. Do not block any ventilation openings. Install in accordance with the manufacturer’s instructions.
8. Do not install near any heat sources such as radiators, heat registers, stoves, or other apparatus (including amplifiers) that produce heat.
9. Do not defeat the safety purpose of the polarized or grounding-type plug. A polarized plug has two blades with one wider than the other. A grounding type plug has two blades and a third grounding prong. The wide blade or the third prong are provided for your safety. If the provided plug does not fit into your outlet, consult an electrician for replacement of the obsolete outlet.
10. Protect the power cord from being walked on or pinched particularly at plugs, convenience receptacles, and the point where they exit from the unit. Do not abuse the cord. Never use the cord to carry the unit or pull the plug from an outlet. Keep cord away from heat, oil, sharp edges or moving parts. Replace damaged cords immediately. Damaged cords increase the risk of electric shock and may create a fire.
11. Use only attachments/accessories specified by the manufacturer.
12. Unplug this unit during lightning storms or when unused for long periods.
13. Only plug unit into readily accessible outlet to allow the unit to be unplugged quickly.
14. To reduce risk of electric shock, only plug the unit into a Ground fault circuit interrupter (GFCI) protected outlet when used in damp locations. If a GFCI protected outlet is not available, use a portable receptacle with built-in GFCI protection.
15. Only operate this unit in a well ventilated area.
16. The unit shall not be exposed to dripping or splashing water and no object filled with liquids such as vase shall be placed on the unit.
17. Do not operate this unit in explosive atmospheres, such as in the presence of flammable liquids, gases or dust.
18. Refer all servicing to qualified service personnel. Servicing is required when the unit has been damaged in any way, such as power-supply cord or

plug is damaged, liquid has been spilled or objects have fallen into the unit, the unit has been exposed to rain or moisture or does not operate normally. Service or maintenance performed by unqualified personnel could result in a risk of injury.

19. A battery operated unit with integral batteries or a separate battery pack must be recharged only with the specified charger for the battery. A charger that may be suitable for one type of battery may create a risk of fire when used with another battery.

20. Use the battery only in conjunction with your Bosch product. This measure alone protects the battery against dangerous overload.

21. Use only the batteries listed in the battery/charger list. When using other batteries, e. g. imitations, reconditioned batteries or other brands, there is danger of injury, risk of fire as well as property damage through exploding batteries.

22. Read the rating label on the bottom of the unit for power input and other safety information.

Battery Care

⚠ WARNING When battery pack is not in use, keep it away from other metal objects like paper clips, coins, keys, nails, screws, or other small metal objects, that can make a connection from one terminal to another. Shorting the battery terminals together may cause burns or a fire.

The battery can be damaged by pointed objects such as nails or screwdrivers or by force applied externally. An internal short circuit can occur and the battery can burn, smoke, explode or overheat.

Under abusive conditions, liquid may be ejected from the battery; avoid contact. If contact accidentally occurs, flush with water. If liquid contacts eyes, additionally seek medical help. Liquid ejected from the battery may cause irritation or burns.

Do not use a battery pack or unit that is damaged or modified. Damaged or modified products may exhibit unpredictable behaviour resulting in fire, explosion or risk of injury.

Do not expose a battery pack to fire or excessive temperature. Exposure to fire or temperature above 265 °F may cause explosion.

Follow all charging instructions and do not charge the battery pack or tool outside the temperature range specified in the instructions. Charging improperly or at temperatures outside the specified range may damage the battery and increase the risk of fire.

CAUTION: Danger of explosion if battery is incorrectly replaced. Replace only with the same or equivalent type.

Battery Disposal

⚠ WARNING Do not attempt to disassemble the battery or remove any component projecting from the battery terminals. Fire or injury may result. Prior to disposal, protect exposed terminals with heavy insulating tape to prevent shorting.

Lithium-ion Batteries

If equipped with a lithium-ion battery, the battery must be collected, recycled or disposed of in an environmentally sound manner.



“The EPA certified RBRC Battery Recycling Seal on the lithium-ion (Li-ion) battery indicates Robert Bosch Tool Corporation is voluntarily participating in an industry program to collect and recycle these batteries at the end of their useful life, when taken out of service in the United States or Canada.

The RBRC program provides a convenient alternative to placing used Li-ion batteries into the trash or the municipal waste stream, which may be illegal in your area.

Please call 1-800-8-BATTERY for information on Li-ion battery recycling and disposal bans/restrictions in your area, or return your batteries to a Skil/Bosch/Dremel Service Center for recycling. Robert Bosch Tool Corporation's involvement in this program is part of our commitment to preserving our environment and conserving our natural resources.”

Table of Contents

Safety	2-3	Operating Instructions	10-11
Important Safety Instructions	2	Audio Settings	10
Battery Care	3	Radio Function	10
Battery Disposal	3	Aux Function	10
Table of Contents	4	Bluetooth® Pairing Function	11
FCC/IC Information	4	USB Charging	11
Symbols	5-6	Releasing and Inserting the Battery Pack	12
Functional Description and Specifications	7	To Power the Unit	13
LCD Displays	8	Use of the Convenient 4-way Outlets	13
Setting the Clock	8	Changing Clock Batteries	14
GPB18V-5C Controls	9	Maintenance	14
		Accessories	15
		Trouble Shooting	15

FCC Statement

This device complies with FCC radiation exposure limits set forth for an uncontrolled environment.

This equipment should be installed and operated with a minimum distance of 20cm between the radiator and any part of your body.

Product Name / Model Number: Jobsite Radio with Bluetooth® / GPB18V-5C

FCC Supplier's Declaration of Conformity

This device complies with part 15 of the FCC Rules. Operation is subject to the following two conditions: (1) This device may not cause harmful interference, and (2) this device must accept any interference received, including interference that may cause undesired operation.

Suppliers Name: Robert Bosch Tool Corporation.

Suppliers Address: Mt Prospect, IL, USA 60056

www.boschtools.com

CAUTION Any changes or modifications not expressly approved by the party responsible for compliance could void the user's authority to operate the equipment.

NOTE: This equipment has been tested and found to comply with the limits for a Class B digital device, pursuant to Part 15 of the FCC Rules. These limits are designed to provide reasonable protection against harmful interference in a residential installation. This equipment generates, uses and can radiate radio frequency energy and, if not installed and used in accordance with the instructions, may cause harmful interference to radio communications.

However, there is no guarantee that interference will not occur in a particular installation. If this equipment does cause harmful interference to radio or television reception, which can be determined by turning the equipment off and on, the user is encouraged to try to correct the interference by one or more of the following measures:

- Reorient or relocate the receiving antenna.
- Increase the separation between the equipment and receiver.
- Connect the equipment into an outlet on a circuit different from that to which the receiver is connected.
- Consult the dealer or an experienced radio/TV technician for help.

Industry Canada (IC)








This device contains licence-exempt transmitter(s)/ receiver(s) that comply with Innovation, Science and Economic Development Canada's licence-exempt RSS(s). Operation is subject to the following two conditions:

- (1) This device may not cause interference.
- (2) This device must accept any interference, including interference that may cause undesired operation of the device.

This equipment complies with ISED RSS-102 radiation exposure limits set forth for an uncontrolled environment. This equipment should be installed and operated with a minimum distance of 20cm between the radiator and any part of your body.












Symbols

IMPORTANT: Some of the following symbols may be used on your tool. Please study them and learn their meaning. Proper interpretation of these symbols will allow you to operate the tool better and safer.

Symbol	Designation/Explanation
V	Volts (voltage)
A	Amperes (current)
Hz	Hertz (frequency, cycles per second)
W	Watt (power)
kg	Kilograms (weight)
min	Minutes (time)
s	Seconds (time)
∅	Diameter (size of drill bits, grinding wheels, etc.)
n_0	No load speed (rotational speed at no load)
n	Rated speed (maximum attainable speed)
.../min	Revolutions or reciprocation per minute (revolutions, strokes, surface speed, orbits etc. per minute)
0	Off position (zero speed, zero torque...)
1, 2, 3, ... I, II, III,	Selector settings (speed, torque or position settings. Higher number means greater speed)
	Infinitely variable selector with off (speed is increasing from 0 setting)
	Arrow (action in the direction of arrow)
	Alternating current (type or a characteristic of current)
	Direct current (type or a characteristic of current)
	Alternating or direct current (type or a characteristic of current)
	Class II construction (designates double insulated construction tools)
	Earthing terminal (grounding terminal)

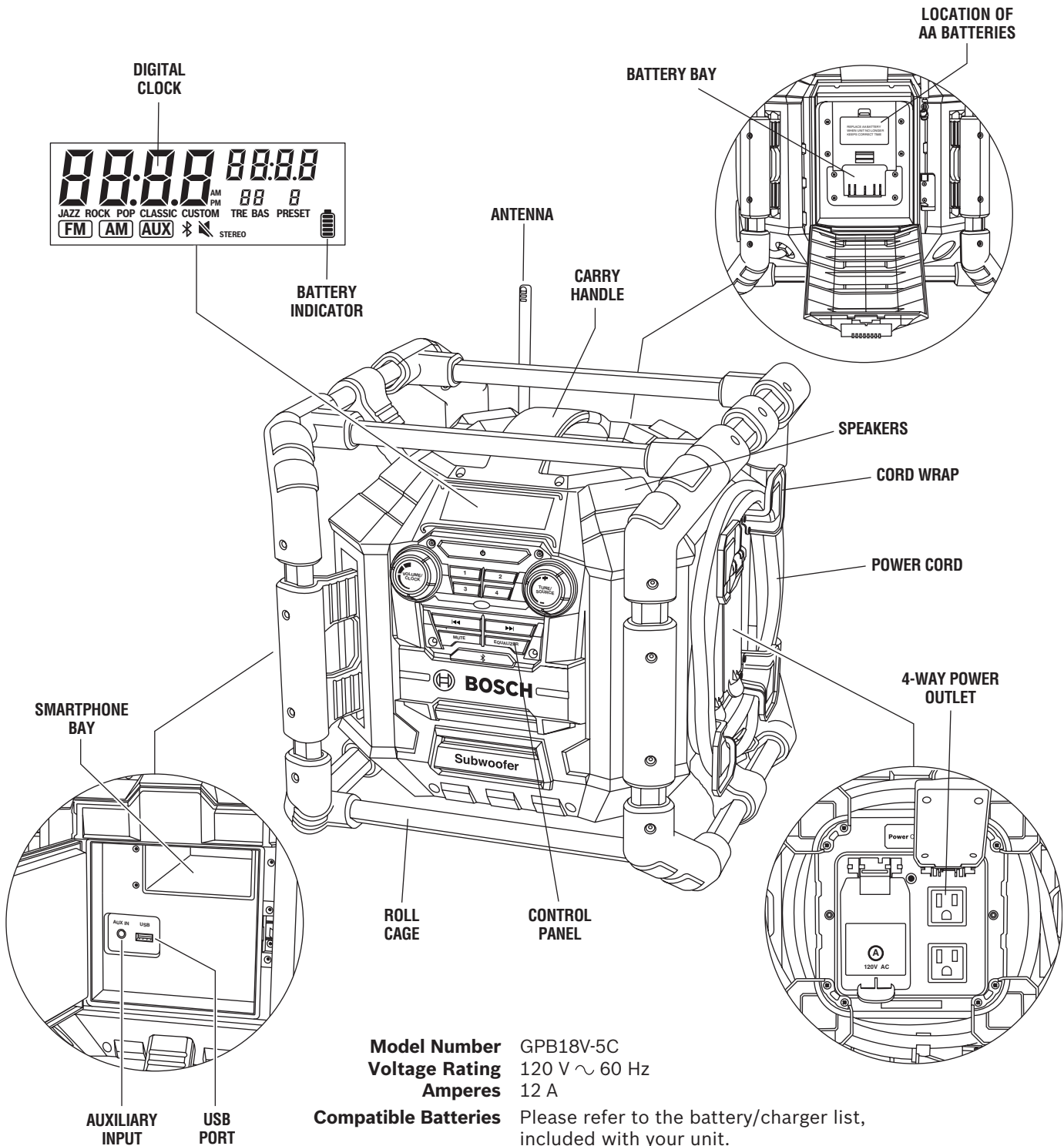
Symbols

IMPORTANT: Some of the following symbols may be used on your tool. Please study them and learn their meaning. Proper interpretation of these symbols will allow you to operate the tool better and safer.

Symbol	Designation / Explanation
	Designates Li-ion battery recycling program
	Designates Ni-Cad battery recycling program
	Alerts user to read manual
	This symbol designates that this tool is listed by Underwriters Laboratories.
	This symbol designates that this component is recognized by Underwriters Laboratories.
	This symbol designates that this tool is listed by Underwriters Laboratories, to United States and Canadian Standards.
	This symbol designates that this tool is listed by the Canadian Standards Association.
	This symbol designates that this tool is listed by the Canadian Standards Association, to United States and Canadian Standards.
	This symbol designates that this tool is listed by the Intertek Testing Services, to United States and Canadian Standards.
	This symbol designates that this tool complies to NOM Mexican Standards.
	The lightning flash with arrowhead symbol within an equilateral triangle is intended to alert the user to the presence of uninsulated “dangerous voltage” within the product’s enclosure that may be of sufficient magnitude to constitute a risk of electric to persons.
CAUTION: RISK OF ELECTRIC SHOCK DO NOT OPEN	CAUTION: to reduce the risk of electric shock, do not remove cover (or back). no user serviceable parts inside. refer servicing to qualified service personnel.

Functional Description and Specifications

Jobsite Stereo with 4-way outlet



Model Number GPB18V-5C
Voltage Rating 120 V ~ 60 Hz
Amperes 12 A

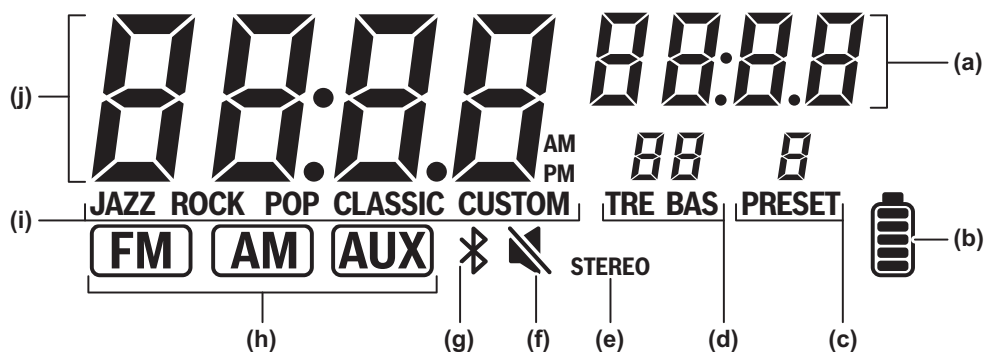
Compatible Batteries Please refer to the battery/charger list, included with your unit.

Outlets Voltage: 120 V ~ 60 Hz
 Amperes: 10 A

Radio AM 530-1710kHz
 FM 87.5-107.9MHz

Memory AM 4 Presets, FM 4 Presets

LCD Display



- a. **NUMERIC** – Shows FM or AM station frequency in tuner mode.
- b. **Battery Indicator** – Indicates that a battery is in the unit.
- c. **PRESET** – Illuminates when preset radio station is selected.
- d. **BAS** – Illuminates when you set the desired Bass level.
TRE – Illuminates when you set the desired Treble level.
- e. **STEREO** – Illuminates when the radio station is broadcasting in Stereo channel.
- f. **Mute** – Illuminates when you mute Stereo.
- g. **Bluetooth®** – Illuminates when an external audio source is connected via Bluetooth® connection.
- h. **FM** – Indicates FM band in tuner mode.
AM – Indicates AM band in tuner mode.
AUX – Illuminates when you select AUX mode for playing external media player device.
- i. **JAZZ** – Illuminates when Jazz is selected in Equalizer.
ROCK – Illuminates when Rock is selected in Equalizer.
POP – Illuminates when Pop is selected in Equalizer.
CLASSIC – Illuminates when Classic is selected in Equalizer.
CUSTOM – Illuminates when Custom is selected in Equalizer or when Custom button is pressed.
- j. **NUMERIC** – Shows the clock time once it has been set and the radio station during tuning.

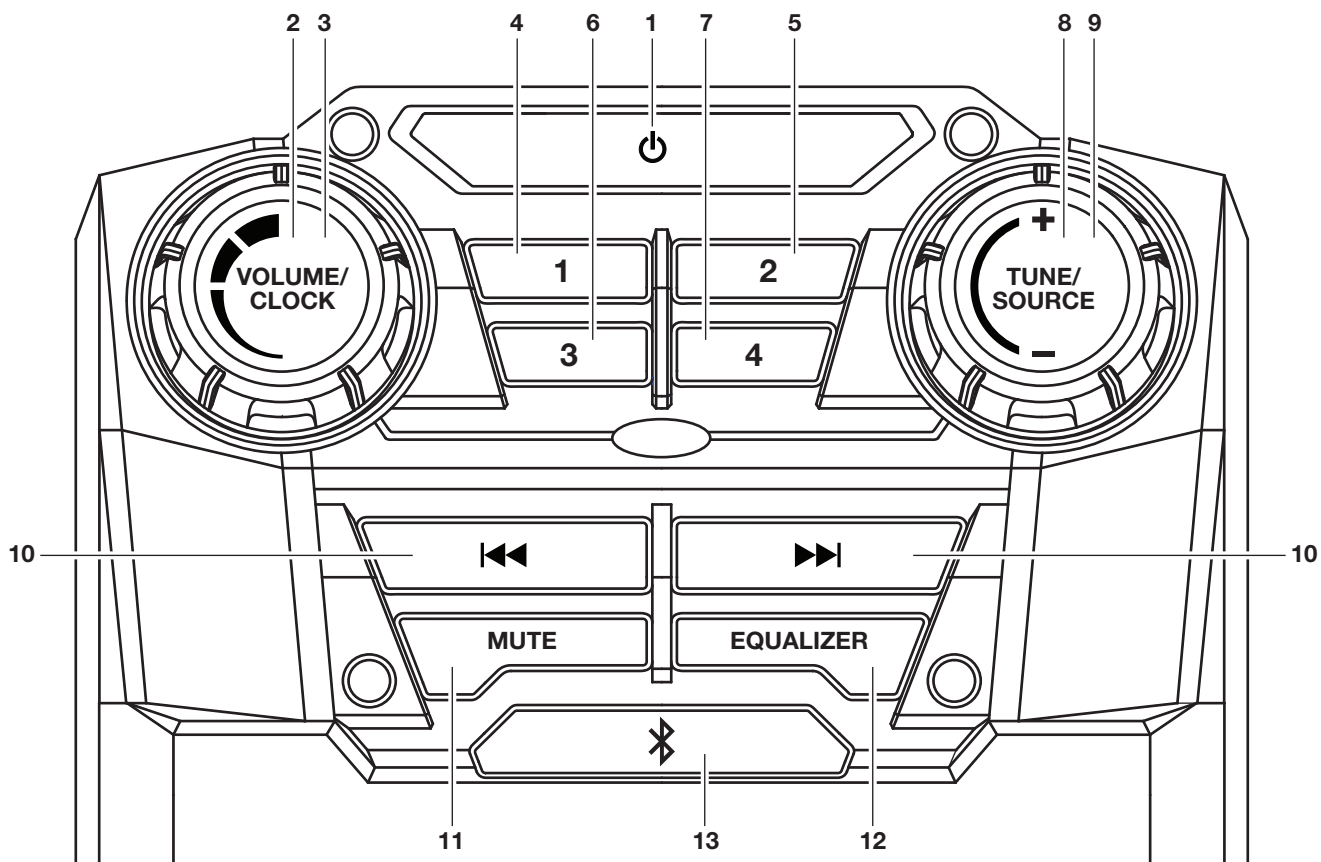
Setting the Clock



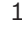
When the AC plug or the battery pack is inserted, the unit defaults to standby mode and the LCD shows “0:00”. Follow the steps below to set the correct local time.

1. Briefly press the **Volume/Clock** button and choose between 12-hour <12H> and 24-hour <24H> format by turning the **Volume/Clock** dial.
2. Press the **Volume/Clock** button to set the hour format.
3. The "hour" is activated and flashes. Turn the **Volume/Clock** dial to choose the correct hour number.
4. Press **Volume/Clock** button once to set the hour and “minute” is activated and flashes.
5. Turn the **Volume/Clock** dial to choose the correct minute number.
6. Press **Volume/Clock** button once to save the clock setting.

Note: 2 AA batteries are needed to keep time current when unit is not plugged in. Replace AA batteries when unit no longer keeps proper time. (See charging AA clock battery section.)

GPB18V-5C Controls



1. **Power Button**  – To switch between power-on and standby modes.
2. **VOLUME/CLOCK** – To increase/decrease the audio volume at all modes. Volume adjusts from 0-30 (min-max) in one full revolution. Dial spins 360-degrees.
3. **VOLUME/CLOCK** – Pressing sets and saves clock setting. To set: Press once, use **Volume/Clock** dial to choose hour format; Press again, use **Volume/Clock** dial to adjust hour; Press again, use **Volume/Clock** dial to adjust minute; Press again to set.
4. **Preset 1** – To select a saved set station. Press until the number of the storage space appears on the storage space indicator.
5. **Preset 2** – To select a saved set station. Press until the number of the storage space appears on the storage space indicator.
6. **Preset 3** – To select a saved set station. Press until the number of the storage space appears on the storage space indicator.
7. **Preset 4** – To select a saved set station. Press until the number of the storage space appears on the storage space indicator.
8. **TUNE/SOURCE** – When playing Radio source, turn dial to adjust radio station channel.
9. **TUNE/SOURCE** – Press to toggle between Radio FM, AM, AUX, or  (Bluetooth®).
10. **◀◀/-Seek or Seek+/>▶▶** – When playing radio source: Press and hold to quickly seek radio stations up or down. When listening to Bluetooth® device source: Press once to skip to previous track.
11. **MUTE** – To mute volume on your stereo.
12. **EQUALIZER** – To toggle between preset Jazz, Rock, Pop, Classic, and Custom equalizer settings.
13. **Bluetooth® Pairing Button**  – To pair to a Bluetooth® enabled device.

Operating Instructions

Audio Settings

VOLUME

Your Jobsite Stereo has 30 selectable preset volume settings. To adjust the VOLUME level, turn **Volume/Clock** dial clockwise or counterclockwise to desired volume level.

EQUALIZER

Your Jobsite Stereo has 5 selectable preset equalizer settings and custom setting which allow you to custom select the level of Bass and Treble tones.

Pressing **Equalizer** repeatedly will select through 5 equalizer and custom settings, illuminating each setting on the LCD: JAZZ, ROCK, POP, CLASSIC, and CUSTOM.

To set CUSTOM Bass and Treble settings, follow the steps below:

1. Press the **Equalizer** button for longer than .5 seconds. CUSTOM appears on the sound pre-set indicator in the display.
2. **TRE** is shown on the treble/bass indicator; the current treble value flashes. Turn the **Volume/Clock** dial to change the treble. Press the **Volume/Clock** button to save the set value.
3. **BAS** and the current bass value will now be shown on the treble/bass indicator. Change and save the bass setting in the same way as described for the treble.
4. After saving the bass setting or 10 seconds after last using the **Volume/Clock** button, the radio will return to audio operation.

Note: Bass and Treble settings each have a range of -5 to +5.

STEREO

When a strong FM signal is received by the FM tuner, "STEREO" will illuminate on the LCD display. If a weak signal is received by the FM tuner, "STEREO" will not illuminate on the LCD display. To improve the sound of a weak station, adjust the external antenna or position your Jobsite Stereo in a different location.

Radio Function

TO SELECT BAND AND STATIONS

This tuner is operated in standard AM frequency from 530-1710kHz and in standard FM frequency from 87.5-107.9MHz. Follow the steps below to tune the station:

1. Press **Tune/Source** button repeatedly until "FM" or "AM" is selected.
2. Turn **Tune/Source** dial clockwise or counterclockwise to tune into desired radio frequency.
3. To "**Seek**", press and hold **◀◀/-Seek** button to seek down or **Seek+▶▶** button to seek up until a station with a strong signal is received.

Note: If there is no station received when the unit stops seeking, repeat the steps mentioned above to seek for the preferred stations.

TO PRESET STATIONS

Four Presets for AM and four Presets for FM. Follow the steps below to preset a station:

1. Tune in to desired radio station using **Tune/Source** dial.
2. To save a set station, press the preset button of the required storage space until the number of the storage space appears on the preset space indicator.
3. Once this is finished, the station is saved in the selected preset space.
4. To start playback of a saved station, briefly press one of the preset buttons. The number of the storage space will appear on the preset space indicator.

Note: Once 4 stations for FM and 4 stations for AM are set, the preset station will be replaced if you continue to preset another station on one of the preset buttons.

TO RETRIEVE PRESET STATIONS

1. Press the desired preset button.



AUX Function

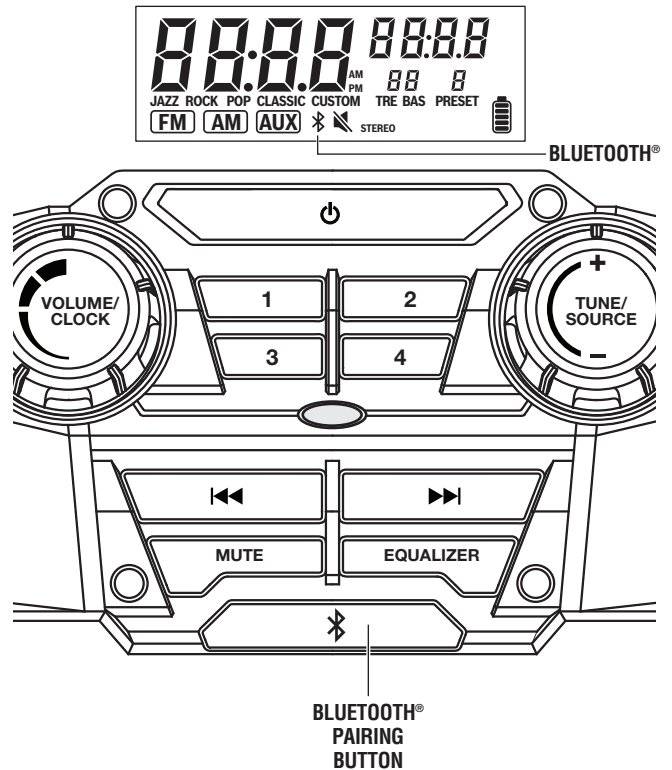
If you want to use an external audio player such as a digital media player or portable CD player, the unit has one Auxiliary Port to accept these sources.

AUX intended for use when it is more desirable to control the external player from outside the unit.

1. Press **Tune/Source** button repeatedly until "AUX" is illuminated on the LCD display.
2. Open **Digital Media Bay** cover on the left side of the unit.
3. Insert plug from your cord into the **AUX IN** jack.
4. Connect the other end of the cord into the headphone out or Aux out port on your external audio player.
5. Play the external audio source as you normally would.
6. Use the **Volume/Clock** dial to adjust the volume.

Bluetooth® Pairing Function

1. Make sure your personal device's Bluetooth® is turned on.
2. Turn on unit by pressing the **Power Button** .
3. Press the **Bluetooth® Pairing Button**  or the **Tune/Source** button until Bluetooth® symbol is displayed on the lower right hand side of the LCD screen and a blue light is slowly flashing on the front of the unit.
4. Hold the **Bluetooth® Pairing Button** for more than .5 seconds.
5. Once the Bluetooth® symbol flashes quickly, select "GPB18V-5C xxxx" from your personal device bluetooth® menu.
6. Once the device has been linked the Bluetooth® indicator (on the screen) will light up continuously.
7. Select music from your personal device that you would like to play.
8. Make sure to check the volume level on your personal device as this will impact the volume output on the unit. Note: Set your personal device audio output level to 100% to maximize audio output on the unit. Now control volume with the volume control knob on the unit.
9. Press play on your personal device and enjoy.

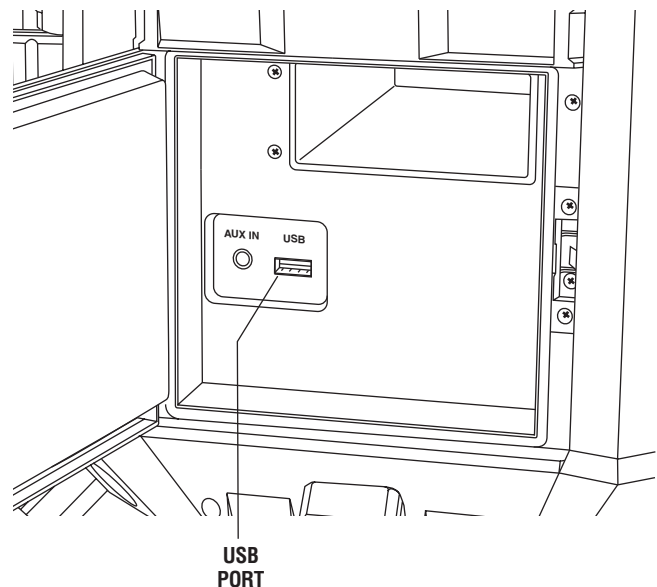


USB Charging

The **USB Port** is designed to charge most USB-enabled devices such as cell phones and external digital media players. Follow the steps below to charge your USB-enabled device:

1. USB charging is available when your Jobsite Radio is plugged into a 120V power source or when the radio has an 18V battery inserted and is turned on.
2. Insert the USB end of your device cable into the **USB Port** inside the **Digital Media Bay**. Insert the other end of your device cable into your device. Your device should begin to charge.

Note: With your Jobsite Stereo plugged into a 120V power source your USB-enabled device will power at any time. * Not guaranteed to work with all USB-enabled devices.



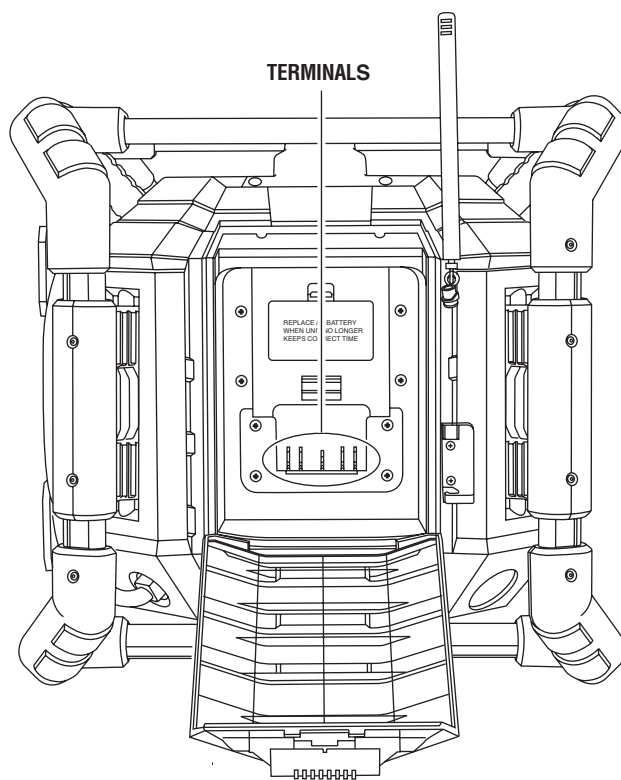
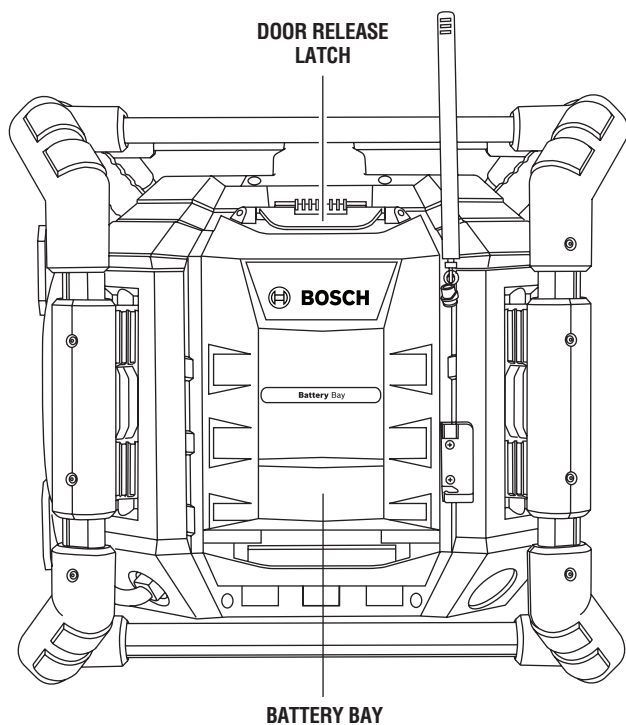
Releasing and Inserting Battery Pack

⚠ WARNING Use only the batteries listed in the battery/charger list. When using other batteries, e. g. imitations, reconditioned batteries or other brands, there is danger of injury, risk of fire as well as property damage through exploding batteries.

To release or insert the battery pack from radio unit, open the **Battery Bay** by unlocking the latch. To insert battery, align battery with terminals and slide battery pack onto terminal until it locks into position. Do not force.

To release battery, depress battery release button and slide battery out of the terminals.

Do not operate unit without the **Battery Bay** door closed and latched.



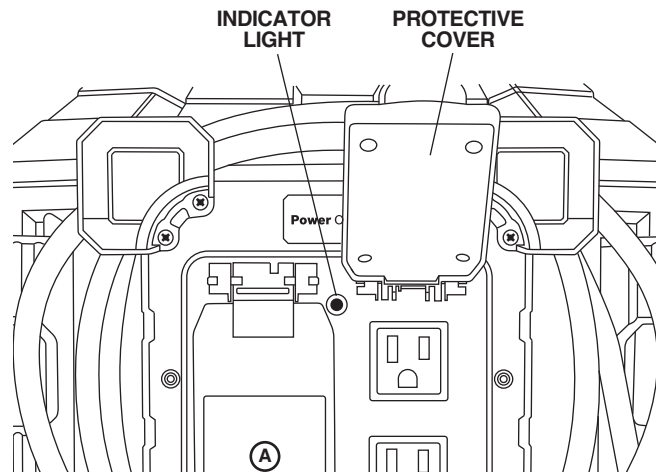
To power the unit

To Connect AC Power Plug

Plug the AC power cord of the unit into a standard AC power outlet/socket with AC 120V/60Hz, it will switch to AC once it is plugged in if it was running from a battery.

To Operate by the Battery

Bosch battery pack supplies DC power to the unit in all modes when the unit is disconnected from AC power. The 4 power outlets are not available until AC cord is plugged into AC.



⚠ WARNING To reduce risk of electric shock, only plug the unit into a Ground fault circuit interrupter (GFCI) protected outlet when used in damp locations. If a GFCI protected outlet is not available, use a portable receptacle with built-in GFCI protection. Test GFCI protected outlet according to instruction provided by GFCI manufacturer. If the GFCI protected outlet does not pass the GFCI testing, do not use that outlet. Only plug radio into a functional GFCI protected outlet.

Use of the Convenient 4-way Outlets

⚠ WARNING The combined output rating of the four AC outlets is 10A Max. To reduce the risk of electric shock or fire hazard, do not overload the AC outlets.

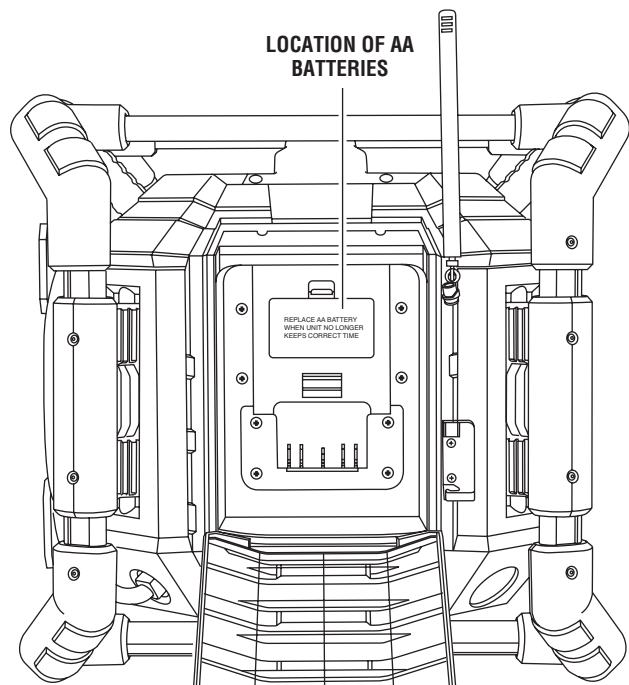
With the Unit plugged into AC power, perform the following steps to use the convenient power outlets:

1. Lift up the protective cover to expose the AC power outlets.
2. Plug into the outlet the desired AC appliance or power tool.
3. Once you are done using the AC outlets on the unit, insure that the protective covers properly close.

⚠ WARNING Do not use where water is likely to enter unit. This device will not guard against shock hazard from: 1. Defects or faults in the electrical supply to the interrupter. 2. Personal contact with both circuit conductors from the interrupter.

Changing Clock Batteries

1. Open **Battery Bay** door.
2. Remove AA battery cover.
3. Remove old batteries and dispose of properly.
4. Insert new AA batteries. Do not use mismatched batteries, use only new Alkaline batteries.



Maintenance

Service

⚠ WARNING NO USER SERVICEABLE PARTS INSIDE. Preventive maintenance performed by unauthorized personnel may result in misplacing of internal wires and components which could cause serious hazard. We recommend that all tool service be performed by a Bosch Factory Service Center or Authorized Bosch Service Station. SERVICE-MEN: Disconnect radio unit from power source before servicing.

Service must be performed only by qualified repair personnel. Service or maintenance performed by unqualified personnel may result in a risk of injury.

When servicing, use only identical replacement parts. Follow instructions in the Maintenance section of this manual. Use of unauthorized parts or failure to follow Maintenance Instructions may create a risk of shock or injury.

BATTERIES

Be alert for battery packs that are nearing their end of life. If you notice decreased tool performance or significantly shorter running time between charges then it is time to replace the battery pack. Failure to do so can cause the tool to operate improperly or damage the charger.

Cleaning

⚠ WARNING To avoid accidents, always disconnect the radio unit from the power supply before cleaning.

THE MAIN UNIT

Never insert a dirty/scraped disc into unit or allow dirt or sand to enter the unit.

Do not remove the unit suddenly from a very cold area into a warm area. Otherwise moisture condensation may form on the optical lens, preventing proper operation.

Do not leave the unit exposed to direct light sunlight for long periods of time, it may deform or discolor the cabinet and may also cause malfunctioning.

Wipe the unit with a soft cloth. Remove stubborn dirt using a damp cloth that was dipped in soapy water, then wipe dry.

If you intend to use a chemical cleaning cloth, read it's instruction first.

Do not use alcohol or paint thinners.

⚠ CAUTION Certain cleaning agents and solvents damage plastic parts.

Some of these are: gasoline, carbon tetrachloride, chlorinated cleaning solvents, ammonia and household detergents that contain ammonia.

Accessories

⚠️ WARNING If an extension cord is necessary, a cord with adequate size conductors that is capable of carrying the current necessary for your tool must be used. This will prevent excessive voltage drop, loss of power or overheating. Grounded tools must use 3-wire extension cords that have 3-prong plugs and receptacles.

NOTE: The smaller the gauge number, the heavier the cord.

RECOMMENDED SIZES OF EXTENSION CORDS 120 VOLT ALTERNATING CURRENT TOOLS





Tool's Ampere Rating	Cord Size in A.W.G.				Wire Sizes in mm ²			
	Cord Length in Feet				Cord Length in Meters			
	25	50	100	150	15	30	60	120
3-6	18	16	16	14	0.75	0.75	1.5	2.5
6-8	18	16	14	12	0.75	1.0	2.5	4.0
8-10	18	16	14	12	0.75	1.0	2.5	4.0
10-12	16	16	14	12	1.0	2.5	4.0	–
12-16	14	12	–	–	–	–	–	–

Trouble Shooting Guide

Problem	Checkpoint	Remedy
Audio Unit doesn't function.	<ol style="list-style-type: none"> 1. Is power cord properly connected ? 2. Is the Bosch battery pack installed or inserted properly? 3. Does the battery need charging? 	<ol style="list-style-type: none"> 1. Plug in AC power cord. 2. Make sure battery is completely inserted. 3. Charge battery with battery charger (sold separately).
It is noisy or weak in radio receiving.	<ol style="list-style-type: none"> 1. Is there any facility interfering with the unit? 2. Is there any interference to the internal FM antenna? 	<ol style="list-style-type: none"> 1. Move unit to new location away from interference. 2. Turn the unit in different directions.
4-Way Power outlet does not function	<ol style="list-style-type: none"> 1. Is power cord properly connected? 2. Is green light illuminated on outlets? 	<ol style="list-style-type: none"> 1. Plug in AC power cord.
Does unit suddenly fail to work	<ol style="list-style-type: none"> 1. Is power cord properly connected to unit? 2. Is the LCD displaying that there is power to the unit? 	<ol style="list-style-type: none"> 1. Plug in power to unit. 2. Software in unit needs to be reset. Remove all batteries from unit and unplug AC power cord, wait for 30 seconds and reconnect AC power cord. Or, press the Volume/Clock button for longer than 1 seconds and RS appears. Turn the Volume/Clock dial to choose between Yes and No. Confirm your selection by pressing Volume/Clock button.

Symboles relatifs à la sécurité

Les définitions ci-dessous décrivent le niveau de gravité pour chaque terme signalant un danger. Veuillez lire le mode d'emploi et lire la signification de ces symboles.

	C'est le symbole d'alerte relatif à la sécurité. Il est utilisé pour vous avertir de l'existence possible d'un danger de lésion corporelle. Obéissez à tous les messages relatifs à la sécurité qui suivent ce symbole pour éviter tout risque de blessure ou même de mort.
	DANGER indique une situation dangereuse qui, si elle n'est pas évitée, causera la mort d'une personne ou une blessure grave.
	AVERTISSEMENT indique une situation dangereuse qui, si elle n'est pas évitée, pourrait causer la mort d'une personne ou une blessure grave.
	MISE EN GARDE indique une situation dangereuse qui, si elle n'est pas évitée, causera une blessure légère ou modérée.

CONSIGNES DE SÉCURITÉ IMPORTANTES

AVERTISSEMENT Lisez tous les avertissements relatifs à la sécurité et toutes les instructions dans ce mode d'emploi et dans le mode d'emploi du chargeur de piles. La non-observation des avertissements et des instructions pourrait causer un choc électrique, un incendie et/ou des blessures personnelles graves.

CONSERVEZ TOUS LES AVERTISSEMENTS ET TOUTES LES INSTRUCTIONS POUR RÉFÉRENCE FUTURE.

Le terme « unité » dans les avertissements fait référence à votre produit Bosch GPB18V-5C.

1. Lisez ces instructions.
2. Conservez ces instructions.
3. Tenez compte de tous les avertissements.
4. Suivez toutes les instructions.
5. N'utilisez pas cette unité à proximité d'eau. N'exposez pas l'appareil à la pluie ou à l'humidité. N'immergez jamais l'unité dans un liquide, et ne laissez pas de liquide couler à l'intérieur de l'unité. La pénétration d'eau dans l'unité augmentera le risque de choc électrique.
6. Nettoyez seulement avec un tissu sec. N'utilisez pas de solvants ou de produits de nettoyage.
7. Ne bloquez pas les orifices de ventilation. Installez conformément aux instructions du fabricant.
8. N'installez pas à proximité de sources de chaleur telles que des radiateurs, des bouches de chaleur, des poêles ou d'autres appareils (y compris des amplificateurs) qui produisent de la chaleur.
9. Ne tentez pas de déjouer la fonction de sécurité remplie par une fiche polarisée ou avec mise à la terre. Une fiche polarisée a deux lames, l'une étant plus large que l'autre. Une fiche avec circuit de mise à la terre a deux lames et une troisième broche dite de masse. La lame la plus large ou la troisième broche sert à assurer votre sécurité. Si la fiche fournie ne tient pas dans votre prise de courant, consultez un électricien pour faire remplacer la prise de courant inadéquate.
10. Protégez le cordon d'alimentation pour éviter que quelqu'un ne marche dessus ou ne pince les fiches, les prises de courant mobiles ou l'endroit d'où les fils sortent de l'unité. N'utilisez pas le cordon de façon abusive. Ne transportez jamais l'unité par son cordon d'alimentation électrique, ne la tirez pas par son cordon et n'arrachez pas la fiche de la prise de courant. Tenez le cordon à distance de toute source de chaleur, d'huile, de bords tranchants ou de pièces mobiles. Remplacez immédiatement les cordons d'alimentation s'ils sont endommagés. Les cordons d'alimentation électrique endommagés augmentent le risque de choc électrique et pourraient causer un incendie.
11. Utilisez seulement des attachements/accessoires spécifiés par le fabricant.
12. Débranchez cette unité pendant les orages avec risque de foudre ou lorsque vous ne comptez pas l'utiliser pendant une période prolongée.
13. Ne branchez l'alimentation électrique que dans une prise de courant d'accès facile afin de pouvoir débrancher l'unité rapidement si besoin est.
14. Testez la prise de courant protégée par un disjoncteur de fuite à la terre en suivant les instructions fournies par le fabricant du disjoncteur de fuite à la terre. Si le test de la prise de courant protégée par un disjoncteur de fuite à la terre ne donne pas satisfaction, n'utilisez pas cette prise. Branchez seulement la radio dans une prise de courant protégée par un disjoncteur de fuite à la terre fonctionnelle.
15. N'utilisez cette unité que dans un endroit bien ventilé.
16. L'unité ne doit pas être exposée à de l'eau qui coule ou à des éclaboussures, et aucun objet rempli de liquide, comme un vase, ne soit être posé sur l'unité.
17. N'utilisez pas cette unité dans une atmosphère explosive, par exemple en présence de liquides, de gaz ou de poussières inflammables.
18. Toujours faire réparer par un réparateur qualifié. Une réparation est nécessaire quand l'unité a été endommagée d'une manière quelconque, comme par exemple si la fiche ou le cordon d'alimentation est endommagé, si du liquide a été renversé sur

l'unité, si des objets sont tombés sur l'unité, si celle-ci a été exposée à la pluie ou à de l'humidité, ou si elle ne fonctionne pas normalement. Une réparation ou un entretien effectué par une personne non qualifiée pourrait causer un risque de blessure.

19. Une unité fonctionnant avec des piles intégrées ou un bloc-piles séparé doit être rechargée exclusivement avec le chargeur indiqué pour les piles. Un chargeur qui est approprié pour un type de pile pourrait créer un risque d'incendie quand il est utilisé avec une autre pile.

20. N'utilisez les piles qu'avec votre produit Bosch. Cette mesure à elle seule protège les piles contre toute surcharge dangereuse.

21. Utilisez seulement les piles indiquées sur la liste des chargeurs/piles. Si vous utilisez d'autres piles, p. ex., des imitations, des piles remises en état ou des piles d'autres marques, il existe un risque de blessure et de dommages matériels en conséquence de l'explosion des piles.

22. Lisez l'étiquette indiquant les valeurs nominales sur le dessous de l'appareil ; vous y trouverez la mesure de la puissance absorbée et d'autres informations sur la sécurité.

Entretien des piles

Lorsque le bloc-piles n'est pas utilisé, gardez-le à une distance suffisante des autres objets en métal, comme des trombones, pièces de monnaie, clés, clous, vis ou autres petits objets en métal qui pourraient faire une connexion entre une borne et une autre. Le court-circuitage des bornes d'une pile pourrait causer des brûlures ou un incendie.

Une pile peut être endommagée par des objets pointus tels que des clous ou des tournevis, ou par une force appliquée depuis l'extérieur. Un court-circuit interne peut se produire et la pile pourrait alors brûler, fumer, exploser ou surchauffer.

Dans des conditions d'utilisation abusives, du liquide pourrait être éjecté de la pile; évitez tout contact. En cas de contact accidentel, lavez avec de l'eau. En cas de contact de liquide avec les yeux, consultez un professionnel de santé. Tout liquide éjecté d'une pile peut causer de l'irritation ou des brûlures.

N'utilisez pas un bloc-piles, une alimentation ou une unité qui est endommagé ou a été modifié. Des produits endommagés ou modifiés

peuvent se comporter de façon imprévisible et causer un incendie, une explosion ou des blessures.

N'exposez pas un bloc-piles, une alimentation ou une unité à un feu ou à une température excessive. L'exposition à un feu ou à une température supérieure à 130° C / 265° F pourrait causer une explosion.

Suivez toutes les instructions relatives à la charge et ne chargez pas le bloc-piles ou l'outil en dehors de la plage de température indiquée dans les instructions. Une charge dans des conditions appropriées ou à des températures en dehors de la plage spécifiée pourrait endommager les piles et augmenter le risque d'incendie.

MISE EN GARDE : il existe un risque d'explosion si les piles sont remplacées par des piles inadéquates. Ne remplacez les piles que par des piles de type similaire ou équivalent.

Mise au rebut des piles

AVERTISSEMENT Ne tentez pas de désassembler le bloc-piles ou d'enlever tout composant faisant saillie des bornes de piles, ce qui peut provoquer un incendie ou des blessures. Avant la mise au rebut, protégez les bornes exposées à l'aide d'un ruban isolant épais pour prévenir le court-circuitage.

Piles lithium-ion

Si le produit est équipé d'une pile lithium-ion, la pile doit être ramassée, recyclée ou mise au rebut d'une manière qui ne soit pas nocive pour l'environnement.



“Le sceau RBRC de recyclage des piles, homologué par l'EPA (Agence pour la protection de l'environnement des États-Unis), qui se trouve sur les piles au lithium-ion (Li-ion) indique que Robert Bosch Tool Corporation participe volontairement à un programme industriel de ramassage et de recyclage de ces piles au terme de leur

vie utile, pourvu qu'elles soient mises hors service aux États-Unis ou au Canada. Le programme du RBRC offre une alternative pratique à la mise des piles au Li-ion usées au rebut ou au ramassage d'ordures municipal, ce qui pourrait être interdit dans votre région.

Veillez appeler le 1-800-8-BATTERY pour obtenir de plus amples renseignements sur le recyclage des piles au Li-ion et sur les restrictions ou interdictions de mise au rebut qui s'appliquent à votre région ou renvoyez vos piles à un Centre de Service Skil/Bosch/Dremel pour recyclage. La participation de Robert Bosch Tool Corporation à ce programme s'insère dans le contexte de notre engagement à préserver notre environnement et à conserver nos ressources naturelles.”

Table des matières

Sécurité	16-17	Fonction Radio.....	24
Consignes de sécurité importantes.....	16	Fonction Aux	24
Entretien des piles.....	17	Fonction d'appariement Bluetooth®.....	25
Mise au rebut des piles.....	17	USB - Charge	25
Table des matières	18	Retrait et insertion du bloc-piles	26
Informations relatives à la FCC/IC.....	18	Alimentation de l'appareil	27
Description fonctionnelle et caractéristiques techniques	21	Utilisation des prises de courant quadruples pratiques	27
Écran d'affichage à cristaux liquides.....	22	Remplacement des piles de l'horloge	28
Réglage de l'horloge.....	22	Entretien	28
Commandes GPB18V-5C.....	23	Accessoires	29
Consignes de fonctionnement	24	Détermination de la cause, et résolution, des problèmes	29
Réglages audio.....	24		

Déclaration de conformité FCC

Cet équipement respecte les limites d'exposition aux rayonnements fixées par la FCC pour un environnement non contrôlé.

Cet équipement doit être installé et utilisé en respectant une distance minimum de 20 cm entre le radiateur et une partie quelconque de votre corps.

Nom du produit / Numéro du modèle : Radio de chantier avec Bluetooth® / GPB18V-5C

Déclaration de conformité du fournisseur aux limites fixées par la FCC

Ce dispositif est conforme à la partie 15 des Règlements de la FCC. Son fonctionnement est sujet au respect des deux conditions suivantes : (1) ce dispositif ne peut pas causer d'interférences préjudiciables et (2) ce dispositif doit accepter toute interférence reçue, y compris des interférences qui peuvent causer un fonctionnement indésirable.

Nom du fournisseur : Robert Bosch Tool Corporation.

Adresse du fournisseur : Mt Prospect, IL, USA 60056

www.boschtools.com

⚠ MISE EN GARDE Toute modification ou altération de cet équipement n'ayant pas été approuvée expressément par la partie responsable de la conformité pourrait annuler le droit de l'utilisateur de se servir de cet équipement.

REMARQUE : ce matériel a été testé et il a été démontré qu'il respecte les limites fixées pour un appareil numérique de Classe B, conformément à la Partie 15 des Règles de la FCC. Ces limites sont conçues de manière à assurer une protection raisonnable contre les perturbations nuisibles dans une installation résidentielle. Ce matériel produit, utilise et peut rayonner de l'énergie de fréquence radioélectrique et, s'il n'est pas installé et utilisé conformément aux

instructions, il risque de causer des perturbations nuisibles aux communications radio. Cependant, il n'est pas possible de garantir qu'aucune perturbation ne résultera d'une installation particulière. Si ce matériel cause des perturbations radioélectriques nuisibles affectant la réception de la radio ou de la télévision – ce qui peut être déterminé en mettant ce matériel sous tension et hors tension – l'utilisateur devrait essayer de remédier à de telles perturbations en prenant une ou plusieurs des mesures suivantes :

- Changer l'orientation de l'antenne de réception ou la placer à un autre endroit.
- Augmenter la distance entre le matériel et le récepteur.
- Brancher le matériel dans une prise de courant faisant partie d'un circuit différent de celui auquel le récepteur est connecté.
- Consulter le revendeur ou un technicien radio/télévision expérimenté pour obtenir de l'aide.

Industrie Canada (IC)



L'émetteur/récepteur exempt de licence contenu dans le présent appareil est conforme aux CNR d'Innovation, Sciences et Développement économique Canada applicables aux appareils radio exempts de licence. L'exploitation est autorisée aux deux conditions suivantes :

- (1) L'appareil ne doit pas produire de brouillage;
- (2) L'appareil doit accepter tout brouillage radioélectrique subi, même si le brouillage est susceptible d'en compromettre le fonctionnement.

Pour se conformer aux exigences de conformité CNR 102 RF exposition, une distance de séparation d'au moins 20 cm doit être maintenue entre l'antenne de cet appareil et toutes les personnes.










Symboles

IMPORTANT : Certains des symboles suivants peuvent être utilisés sur votre outil. Veuillez les étudier et apprendre leur signification. Une interprétation appropriée de ces symboles vous permettra d'utiliser l'outil de façon plus efficace et plus sûre.

Symbole	Désignation/Explication
V	Volts (voltage)
A	Ampères (courant)
Hz	Hertz (fréquence, cycles par seconde)
W	Watt (puissance)
kg	Kilogrammes (poids)
min	Minutes (temps)
s	Seconds (temps)
∅	Diamètre (taille des mèches de perceuse, meules, etc.)
n_0	Vitesse à vide (vitesse de rotation, à vide)
n	Vitesse nominale (vitesse maximum pouvant être atteinte)
.../min	Tours ou mouvement alternatif par minute (tours, coups, vitesse en surface, orbites, etc., par minute)
0	Position d'arrêt (vitesse zéro, couple zéro ...)
1, 2, 3, ... I, II, III,	Réglages du sélecteur (Réglages de vitesse, de couple ou de position. Un nombre plus élevé signifie une vitesse plus grande)
	Sélecteur variable à l'infini avec arrêt (La vitesse augmente depuis le réglage 0)
	Flèche (action dans la direction de la flèche)
	Courant alternatif (type ou caractéristique du courant)
	Courant continu (type ou caractéristique du courant)
	Courant alternatif ou continu (type ou caractéristique du courant)
	Construction classe II (désigne des outils construits avec double isolation)
	Borne de terre (borne de mise à la terre)

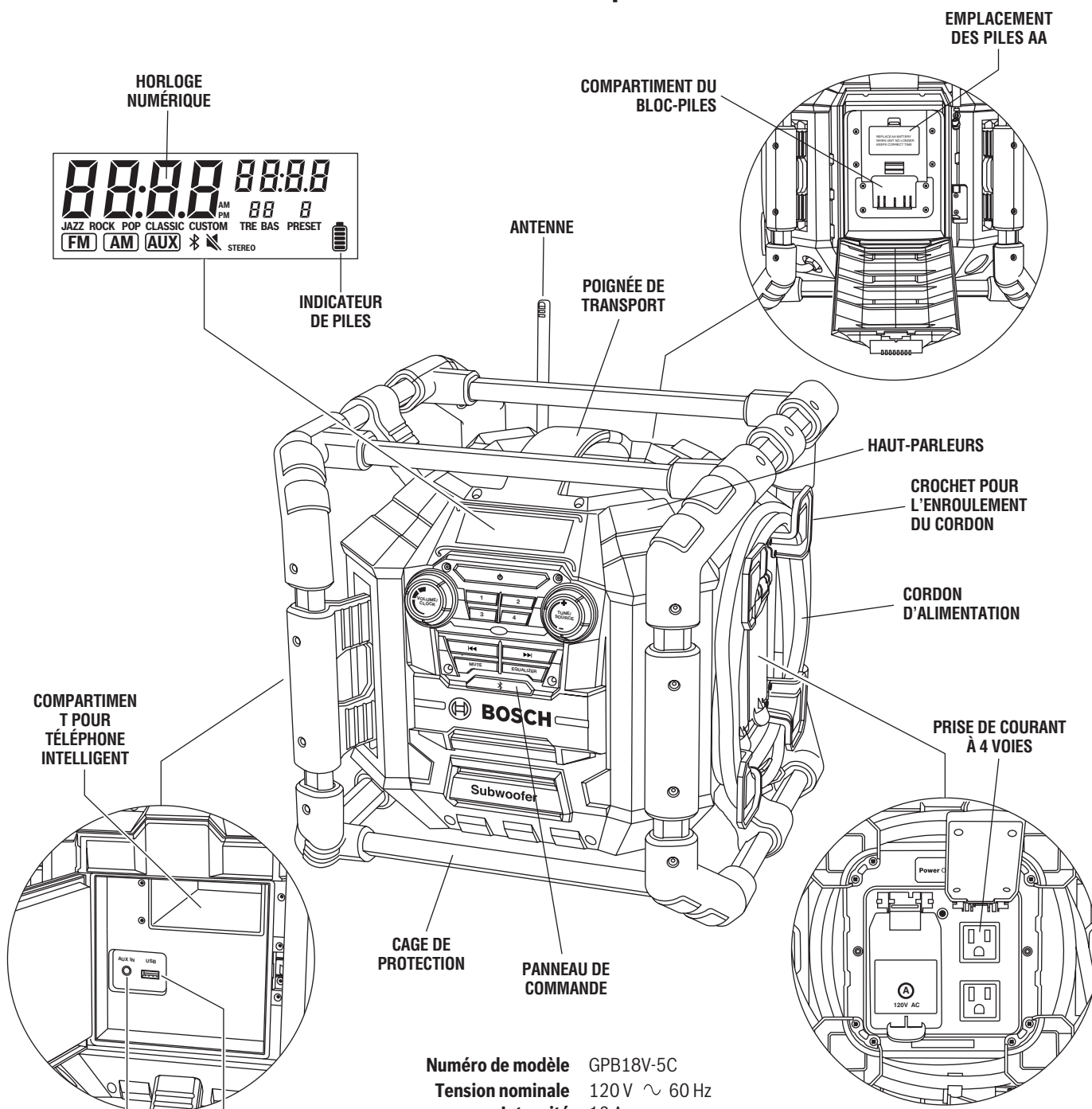
Symboles (suite)

IMPORTANT : Certains des symboles suivants peuvent être utilisés sur votre outil. Veuillez les étudier et apprendre leur signification. Une interprétation appropriée de ces symboles vous permettra d'utiliser l'outil de façon plus efficace et plus sûre.

Symbole	Désignation/Explication
	Désigne le programme de recyclage des piles Li-ion.
	Désigne le programme de recyclage des piles Ni-Cad.
	Alerte l'utilisateur pour lire le mode d'emploi
	Ce symbole signifie que cet outil est approuvé par Underwriters Laboratories.
	Ce symbole indique que ce composant est reconnu par Underwriters Laboratories.
	Ce symbole signifie que cet outil est approuvé par Underwriters Laboratories selon les normes des États-Unis et du Canada.
	Ce symbole signifie que cet outil est approuvé par l'Association canadienne de normalisation.
	Ce symbole signifie que cet outil est approuvé par l'Association canadienne de normalisation selon les normes des États-Unis et du Canada.
	Ce symbole signifie que cet outil est approuvé par Intertek Testing Services selon les normes des États-Unis et du Canada
	Ce symbole signifie que cet outil se conforme aux normes mexicaines NOM.
	Le symbole de l'éclair se terminant par une pointe de flèche à l'intérieur d'un triangle équilatéral a pour but d'avertir l'utilisateur et de lui indiquer la présence d'une « tension dangereuse » non isolée à l'intérieur de l'enceinte du produit qui peut être assez élevée pour causer un risque de décharge électrique affectant les personnes.
MISE EN GARDE : RISQUE DE DÉCHARGE ÉLECTRIQUE NE PAS OUVRIR	MISE EN GARDE : pour réduire le risque de décharge électrique, ne retirez pas la plaque du haut (ou la plaque arrière) de l'enceinte. aucun composant ne peut être réparé par l'utilisateur à l'intérieur de l'appareil. adressez-vous à un réparateur agréé en cas de problème.

Description fonctionnelle et caractéristiques techniques

Stéréo de chantier avec prise à 4 voies



Numéro de modèle GPB18V-5C
Tension nominale 120 V ~ 60 Hz
Intensité 12 A
Piles compatibles Veuillez consulter la liste des chargeurs/piles accompagnant votre unité.

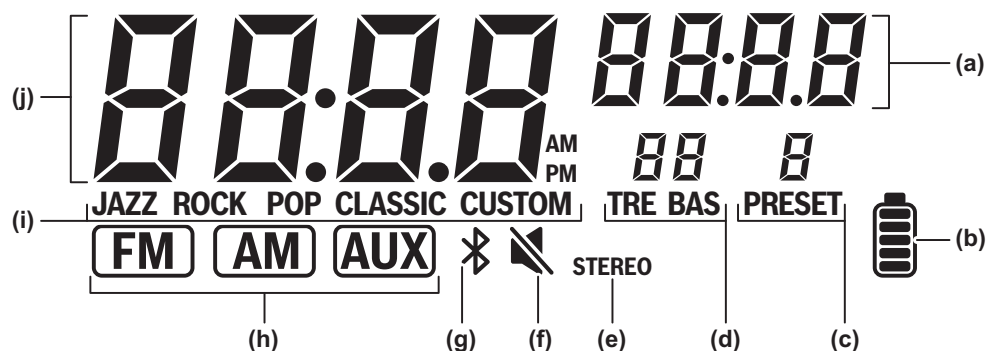
Prises munies disjoncteur de fuite à la terre tension nominale 120 V ~ 60 Hz
Intensité 10 A

Radio AM 530-1710kHz
 FM 87,5-107,9MHz

Mémoire AM : 4 stations programmées
 FM : 4 stations programmées

ENTRÉE AUXILIAIRE
PORT USB

Écran d'affichage à cristaux liquides



- a. **NUMERIC** - affiche la fréquence FM ou AM dans le mode « Tuner ».
- b. Icône de **PILE** - indique que le bloc-piles est dans l'appareil.
- c. **PRESET** - s'allume lorsqu'une station radio programmée est sélectionnée.
- d. **BAS** - s'allume lorsque vous sélectionnez le niveau désiré pour les tonalités basses.
TRE - s'allume lorsque vous sélectionnez le niveau désiré pour les tonalités aiguës.
- e. **STÉRÉO** - s'allume lorsque la station radio est diffusée sur la chaîne stéréo.
- f. **Mute (Muet)** - Ce bouton s'allume lorsque vous coupez le son de la stéréo.
- g. **Bluetooth®** - S'allume quand une source audio externe est connectée par le biais d'une connexion Bluetooth®.
- h. **FM** - indique la bande FM dans le mode « Tuner ».
- i. **AM** - indique la bande AM dans le mode « Tuner ».
- j. **AUX** - s'allume lorsque vous sélectionnez le mode AUX pour jouer un appareil multimédia extérieur.
- i. **JAZZ** - s'allume lorsque Jazz est sélectionné dans Equalizer.
ROCK - s'allume lorsque Rock est sélectionné dans Equalizer.
POP - s'allume lorsque Pop est sélectionné dans Equalizer.
CLASSIC - s'allume lorsque Classic est sélectionné dans Equalizer.
CUSTOM - s'allume lorsque Custom (choix personnalisé) est sélectionné dans Equalizer ou quand le bouton Custom est enfoncé.
- j. **NUMERIC** - affiche l'heure sur l'horloge après qu'elle a été réglée, et la station radio dans le mode « Tuner ».

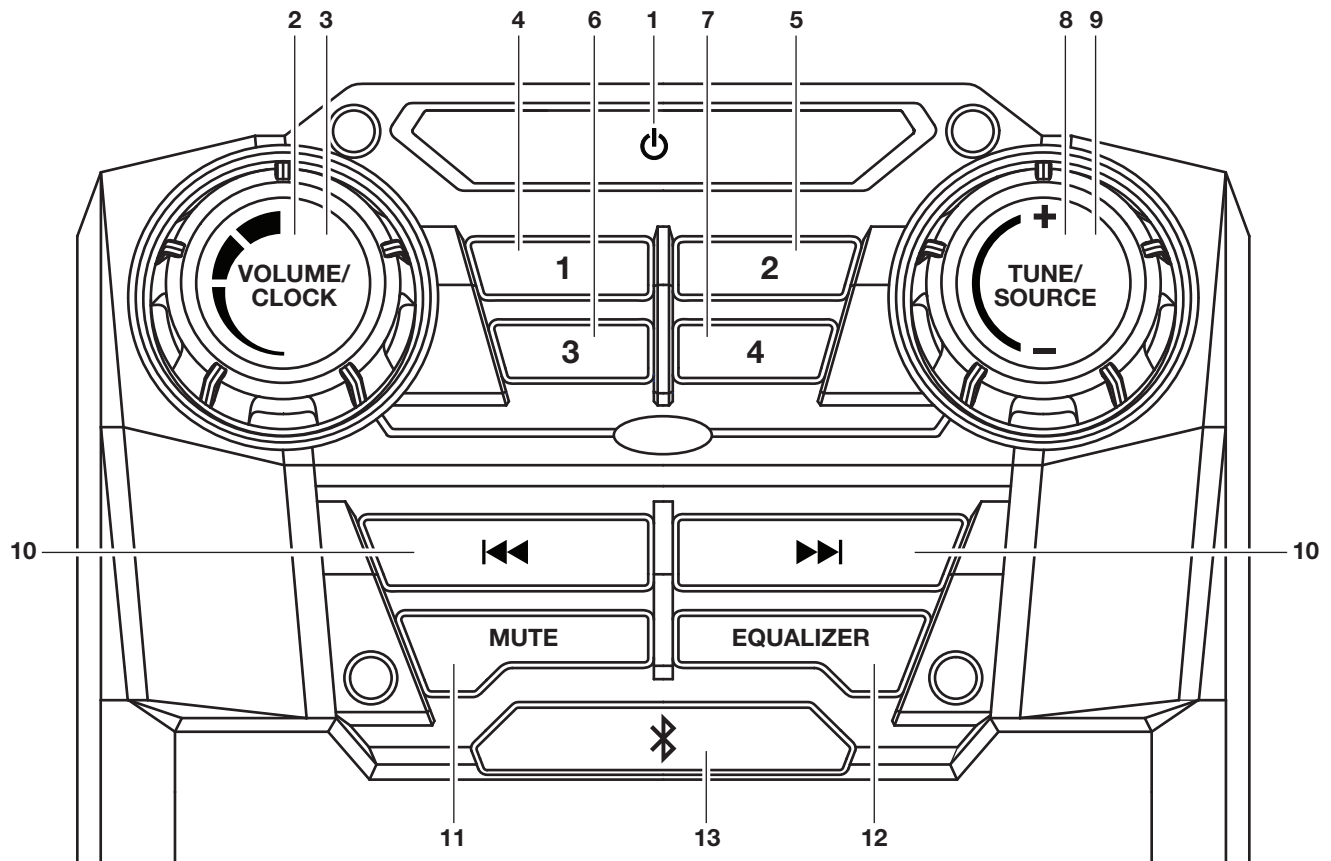
Réglage de l'horloge

Lorsque la fiche c.a. ou le bloc-piles est introduit, l'appareil passe par défaut dans le mode d'attente et l'écran à cristaux liquides affiche « 0:00 ». Suivez la procédure ci-dessous pour afficher l'heure locale correcte.

- Appuyez brièvement sur le bouton **Volume/Clock** (Volume sonore/Horloge) et choisissez le format de 12 heures <12H> ou de 24 heures <24H> en tournant le cadran **Volume/Clock**.
- Appuyez sur le bouton **Volume/Clock** pour choisir le format horaire.
- L'« heure » est activée et clignote. Tournez le cadran **Volume/Clock** afin de choisir le chiffre correct pour l'heure.
- Appuyez une fois sur le bouton **Volume/Clock** pour choisir le nombre correspondant à l'heure ; ceci activera la fonction « minute », qui clignotera alors.
- Tournez le cadran **Volume/Clock** afin de choisir le chiffre correct pour les minutes.
- Appuyez une fois sur le bouton **Volume/Clock** pour enregistrer le temps actuel.

Remarque : 2 piles AA sont nécessaires pour permettre à l'horloge de continuer à indiquer l'heure correcte lorsque l'appareil est débranché. Remplacez les piles AA lorsque l'appareil n'indique plus l'heure correcte. (Veuillez vous reporter à la rubrique concernant le remplacement des piles de l'horloge.)

Commandes GPB18V-5C



1. - pour basculer entre les modes en marche et en attente.
2. **VOLUME/CLOCK** - pour augmenter/diminuer le volume audio dans tous les modes. Le volume se règle de 0 à 30 (minimum-maximum) sur un tour complet du bouton. Le cadran tourne sur 360 degrés.
3. **VOLUME/CLOCK** – Appuyez sur ce bouton pour régler et enregistrer vos préférences horaires. Réglage : Appuyez une fois, utilisez le cadran **Volume/Clock** pour choisir le format horaire ; appuyez à nouveau, utilisez le cadran **Volume/Clock** pour régler l'heure ; appuyez à nouveau, utilisez le cadran du bouton **Volume/Clock** pour régler les minutes ; appuyez à nouveau pour programmer.
4. **Valeur programmée 1** – Pour sélectionner une station déjà programmée. Appuyez jusqu'à ce que le chiffre de l'espace de stockage apparaisse sur l'indicateur d'espace de stockage.
5. **Valeur programmée 2** – Pour sélectionner une station déjà programmée. Appuyez jusqu'à ce que le chiffre de l'espace de stockage apparaisse sur l'indicateur d'espace de stockage.
6. **Valeur programmée 3** – Pour sélectionner une station déjà programmée. Appuyez jusqu'à ce que le chiffre de l'espace de stockage apparaisse sur l'indicateur d'espace de stockage.
7. **Valeur programmée 4** – Pour sélectionner une station déjà programmée. Appuyez jusqu'à ce que le chiffre de l'espace de stockage apparaisse sur l'indicateur d'espace de stockage.
8. **TUNE/SOURCE** – lorsque vous écoutez la radio, tournez le cadran pour ajuster la chaîne de la station radio.
9. **TUNE/SOURCE** – appuyez sur ce bouton pour basculer entre Radio FM, AM, AUX, (Bluetooth®).
10. **◀◀/Seek ou Seek+/▶▶** - lorsque vous écoutez une source radio : Appuyez sur l'un de ces boutons et maintenez-le enfoncé pour chercher rapidement des stations radio vers le haut ou vers le bas. Lorsque vous écoutez un appareil avec Bluetooth® comme source : appuyez une fois pour revenir à la piste antérieure.
11. **MUTE (Muet)**– Appuyez sur ce bouton pour couper le volume sonore sur votre stéréo.
12. **EQUALIZER** - pour basculer entre le choix personnalisé (Custom) et les options prédéfinies de l'equalizer : Jazz, Rock, Pop et Classic.
13. **Bouton d'appariement de Bluetooth®** - Lorsque vous écoutez un appareil avec Bluetooth® comme source.

Consignes de fonctionnement

Options de réglages audio

VOLUME

Votre Stéréo de chantier a 30 options de volume préétablies qui sont sélectionnables. Pour ajuster le niveau de VOLUME, tournez le cadran **Volume/Clock** dans le sens des aiguilles d'une montre ou dans le sens contraire des aiguilles d'une montre jusqu'au niveau de volume désiré.

Equalizer

Votre Stéréo de chantier a cinq option préétablies et sélectionnables pour l'equalizer ainsi que des options personnalisables qui vous permettent de sélectionner le niveau exact des tonalités basses et aigües qui vous convient.

Si vous appuyez de façon répétée sur le bouton **Equalizer**, vous pourrez sélectionner l'une des quatre options de l'equalizer ou l'option que vous aurez personnalisée, illuminant tour à tour chaque paramètre sur l'écran ACL : JAZZ, ROCK, POP, CLASSIC, ou CUSTOM.

Pour programmer les paramètres personnalisés des tonalités basses et aigües, suivez les étapes de la procédure ci-après :

1. Appuyez sur le bouton **Equalizer** et maintenez-le enfoncé pendant plus de 0,5 seconde. CUSTOM (Personnalisation) apparaît sur l'indicateur de son programmé sur l'écran d'affichage.
2. **TRE** (Tonalités aigües) apparaît sur l'indicateur de tonalités aigües/graves ; la valeur de la tonalité aigüe actuelle clignote. Tournez le cadran du bouton **Volume/Clock** pour changer la tonalité aigüe. Appuyez sur le bouton **Volume/Clock** pour enregistrer la valeur programmée.
3. **BAS** (Tonalités graves) et la valeur de la tonalité grave actuelle apparaîtront sur l'indicateur de tonalités aigües/graves. Changez et enregistrez la valeur programmée pour la tonalité grave de la même façon que pour la tonalité aigüe.
4. Après avoir enregistré la valeur grave ou 10 secondes après votre dernière utilisation du bouton **Volume/Clock**, la radio retournera au mode de fonctionnement audio.

Remarque : Les réglages des tonalités graves et aigües ont tous les deux une plage de -5 à +5.

STÉRÉO

Quand un puissant signal FM est reçu par le syntoniseur FM, « Stereo » s'illuminera sur l'écran ACL. Si un signal faible est reçu par le syntoniseur FM, « Stereo » ne s'illuminera pas sur l'écran ACL. Pour améliorer le son d'une station faible, ajustez l'antenne extérieure ou positionnez votre Stéréo de chantier à un endroit différent.

Fonction radio

POUR SÉLECTIONNER LA BANDE ET LES STATIONS

Ce syntoniseur est conçu pour fonctionner dans la fréquence AM standard de 530 à 1 710 kHz et dans la fréquence FM standard de 87,5 à 107,9 MHz. Suivez les étapes ci-dessous pour vous régler sur la station radio désirée :

1. Appuyez de façon répétée sur le bouton **Tune/Source** jusqu'à ce que « FM » ou « AM » soit sélectionné.
2. Faites tourner le cadran **Tune/Source** dans le sens des aiguilles d'une montre ou dans le sens contraire des aiguilles d'une montre pour atteindre la fréquence radio désirée.

3. Pour chercher une station, appuyez sur le bouton **◀◀/-Seek** pendant pour chercher vers le bas ou sur le bouton **Seek+/▶▶** pendant pour chercher vers le haut jusqu'à ce qu'une station avec un puissant signal soit reçue.

Remarque : si aucune station n'a été reçue lorsque l'appareil cesse de chercher, recommencez la procédure indiquée plus haut pour chercher les stations préférées.

POUR PROGRAMMER DES STATIONS

Quatre valeurs programmées pour AM et quatre valeurs programmées pour FM. Suivez les étapes indiquées ci-dessous pour programmer une station :

1. Utilisez le cadran **Tune/Source** pour atteindre la station radio désirée.
2. Pour enregistrer une station programmée, appuyez sur le bouton de programmation de l'espace de stockage nécessaire jusqu'à ce que le chiffre de l'espace de stockage apparaisse sur l'indicateur d'espace programmé.
3. Après que vous aurez fait cela, la station sera enregistrée dans l'espace programmé sélectionné.
4. Pour commencer à lire une station enregistrée, appuyez brièvement sur l'un des boutons programmés. Le chiffre de l'espace de stockage apparaîtra sur l'indicateur d'espace programmé.

Remarque : Une fois que 4 stations pour FM et 4 stations pour AM auront été programmées, la station programmée sera remplacée si vous continuez à programmer une autre station sur l'un des boutons déjà programmés.

POUR RETOURNER AUX STATIONS PROGRAMMÉES

AFIN DE LES ÉCOUTER

1. Appuyez sur le bouton programmé désiré.

Fonction AUX

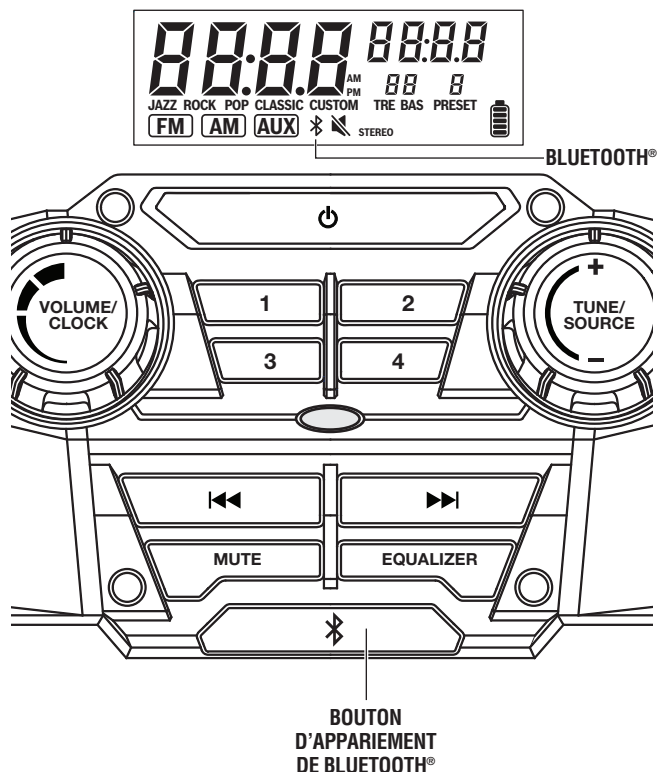
Si vous voulez utiliser un appareil audio externe tel qu'un lecteur multimédia numérique ou un lecteur de CD portable, l'appareil comporte un ports auxiliaires pour vous permettre d'accepter ces sources.

AUX est conçu en vue d'emploi quand il est plus désirable de contrôler le lecteur externe depuis l'extérieur de l'appareil.

1. Appuyez de façon répétée sur le bouton **Tune/Source** jusqu'à ce que AUX soit illuminé sur l'écran ACL.
2. Ouvrez le cache du Compartiment des médias numériques (**Digital Media Bay**) sur le côté gauche de l'appareil.
3. Insérez la fiche de votre cordon dans la prise AUX IN.
4. Connectez l'autre bout du cordon dans le port « headphone out » (sortie casque d'écoute) ou dans le port « Aux out » (sortie équipement auxiliaire) sur votre lecteur audio externe.
5. Faites jouer la source audio externe comme vous le feriez normalement.
6. Utilisez le cadran **Volume/Clock** sur votre Stéréo de chantier pour régler le volume.

Fonction d'appariement Bluetooth®

1. Assurez-vous que Bluetooth® est activé sur votre appareil personnel.
2. Allumez l'appareil en appuyant sur le bouton **Power** (Alimentation).
3. Appuyez sur le bouton « Pairing » (Appariement) ou sur le bouton « Tune/Source » de Bluetooth® jusqu'à ce que le symbole de Bluetooth® soit affiché du côté inférieur droit de l'écran ACL et jusqu'à ce qu'un voyant bleu commence à clignoter lentement sur le devant de l'appareil.
4. Tenez le **bouton d'appariement de Bluetooth®** enfoncé pendant plus de 0,5 seconde.
5. Après que le symbole de Bluetooth® aura commencé à clignoter rapidement, sélectionnez « GPB18V-5C xxxx » sur le menu Bluetooth® de votre appareil personnel.
6. Une fois que l'appareil aura été connecté, l'indicateur Bluetooth® (sur l'écran) restera allumé en permanence.
7. Sélectionnez la musique de votre appareil personnel que vous voulez jouer.
8. Assurez-vous que le volume sonore de votre appareil personnel vous convient, car il affectera le volume du son de l'appareil. Remarque : Réglez le volume sonore de votre appareil personnel sur 100 % afin de maximiser le volume du son de l'appareil. À présent, contrôlez le volume avec le bouton de commande du volume de l'appareil.
9. Appuyez sur le bouton de lecture de votre appareil personnel et profitez de la musique.

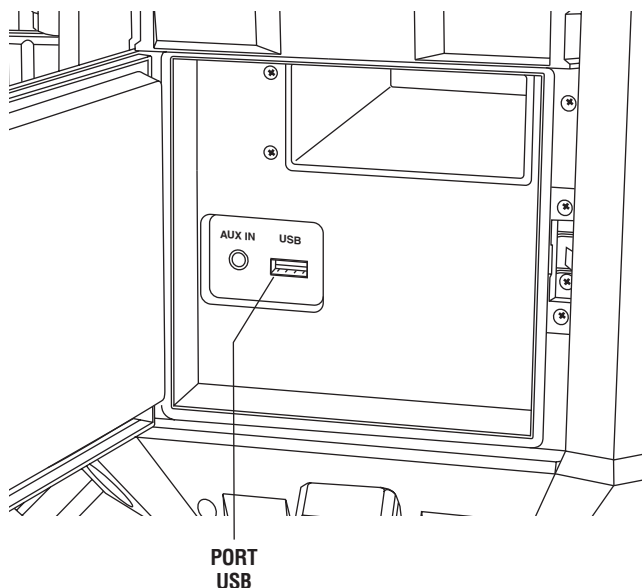


USB - Charge

Le **port USB** est conçu pour charger la plupart des dispositifs compatibles USB tels que des téléphones portables/mobiles et des lecteurs multimédia numériques externes. Suivez les étapes de la procédure ci-dessous pour charger votre dispositif compatible USB :

1. Une charge USB est disponible lorsque votre radio de chantier est branchée dans une prise de courant de 120 V ou lorsque la radio a une pile de 18 V insérée et quand elle est allumée.
2. Insérez le bout pour connexion USB du câble de votre dispositif dans le **port USB** à l'intérieur du **Compartment multimédia numérique**. Insérez l'autre bout du câble de votre dispositif dans votre dispositif. Votre dispositif devrait commencer à se charger.

Remarque : lorsque votre Stéréo de chantier est branché dans une source d'alimentation secteur 120 V, votre dispositif compatible USB se chargera à tout moment. * Pas de garantie de fonctionnement avec tous les dispositifs compatibles USB.



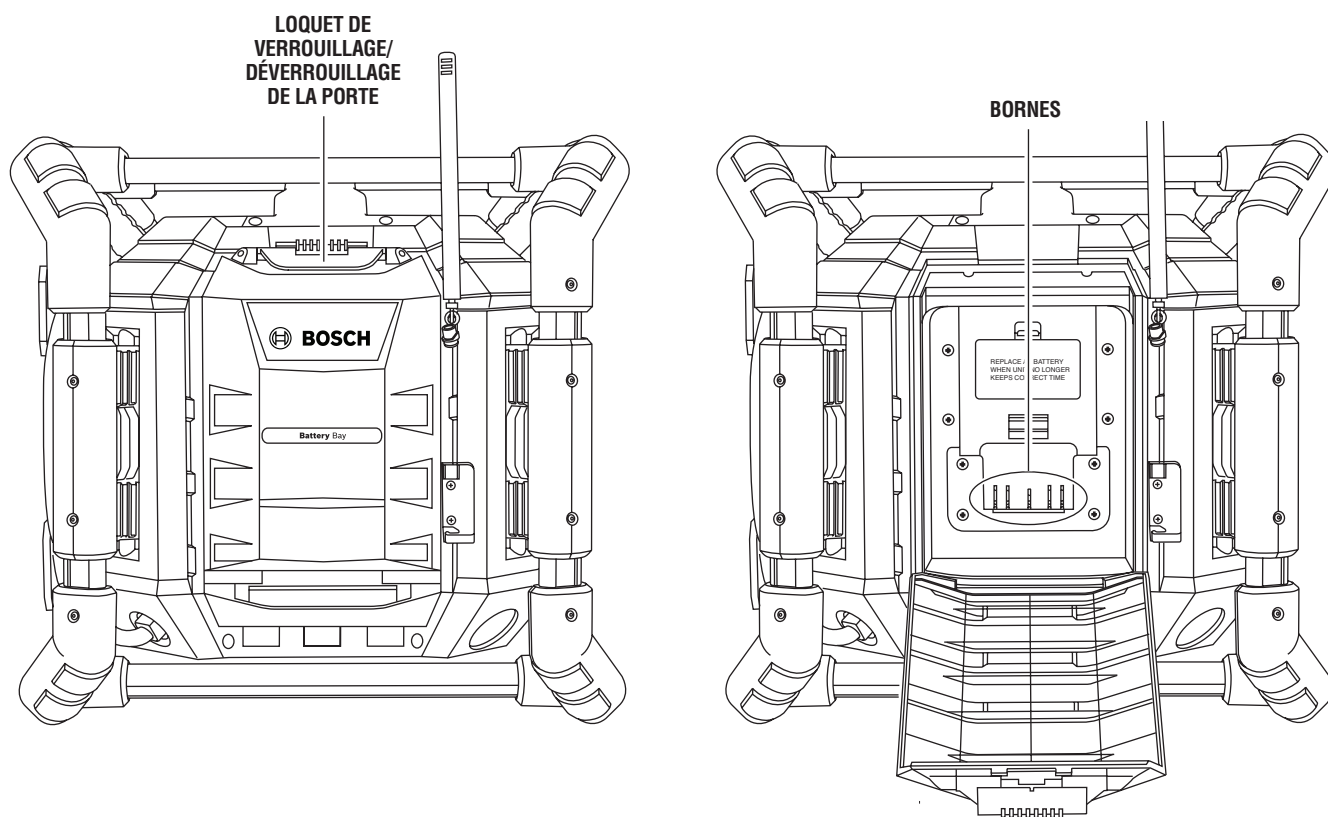
Retrait et insertion du bloc-piles

⚠ AVERTISSEMENT Utilisez seulement des piles indiquées sur la liste des chargeurs/piles. Si vous utilisez d'autres piles, p. ex., des imitations, des piles remises en état ou des piles d'autres marques, il existe un risque de blessure et de dommages matériels en conséquence de l'explosion des piles.

Pour éjecter ou insérer le bloc-piles dans la radio, ouvrez le **Compartment du bloc-piles** en déverrouillant le loquet. Pour insérer les piles, alignez les piles avec les bornes et faites glisser le bloc-piles sur les bornes jusqu'à ce qu'il se bloque en place. Ne forcez pas.

Pour retirer les piles, appuyez sur le bouton de retrait des piles et faites glisser le bloc-piles hors des bornes.

Ne vous servez pas de l'appareil sans que la porte du **Compartment du bloc-piles** soit fermée et verrouillée.



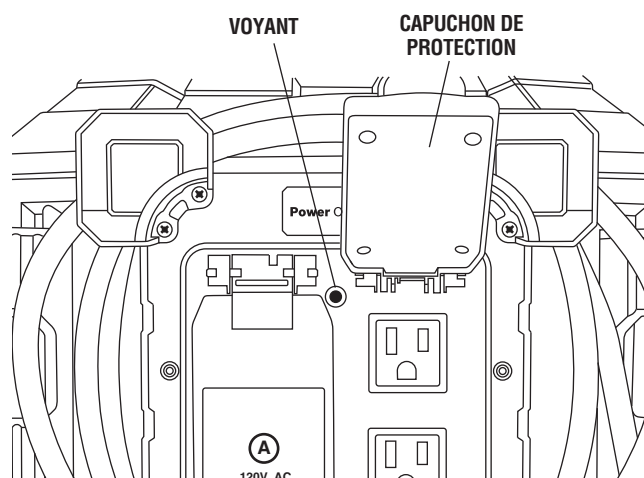
Alimentation de l'appareil

Branchement sur le secteur

Branchez le cordon d'alimentation c.a. de l'appareil dans une prise de courant/prise murale c.a. standard (c.a. 120 V/60 Hz). S'il était alimenté auparavant par des piles, l'appareil, dès qu'il aura été branché, sera désormais alimenté par le secteur.

Fonctionnement avec les piles

Le bloc-piles Bosch alimente l'appareil en courant continu dans tous les modes lorsque l'appareil est déconnecté de sa source d'alimentation c.a. La 4 voies ne sont pas disponibles si le cordon d'alimentation c.a. n'est pas branché sur le secteur.



⚠ AVERTISSEMENT Pour réduire le risque de choc électrique, ne branchez cet appareil que dans une prise de courant protégée par un disjoncteur de fuite à la terre lorsque vous l'utilisez dans un endroit humide. S'il n'y a pas de prise de courant protégée par un disjoncteur de fuite à la terre, utilisez une prise de courant portative protégée par un disjoncteur de fuite à la terre incorporé. Testez la prise de courant protégée par un disjoncteur de fuite à la terre en suivant les instructions fournies par le fabricant du disjoncteur de fuite à la terre. Si le test de la prise de courant protégée par un disjoncteur de fuite à la terre ne donne pas satisfaction, n'utilisez pas cette prise. Branchez seulement la radio dans une prise de courant protégée par un disjoncteur de fuite à la terre fonctionnelle.

Utilisation des prises de courant quadruples pratiques

⚠ AVERTISSEMENT Le débit nominal combiné maximum des quatre prises de courant c.a. est de 10 A. Pour réduire le risque de choc électrique ou d'incendie, ne surchargez jamais les prises de courant c.a.

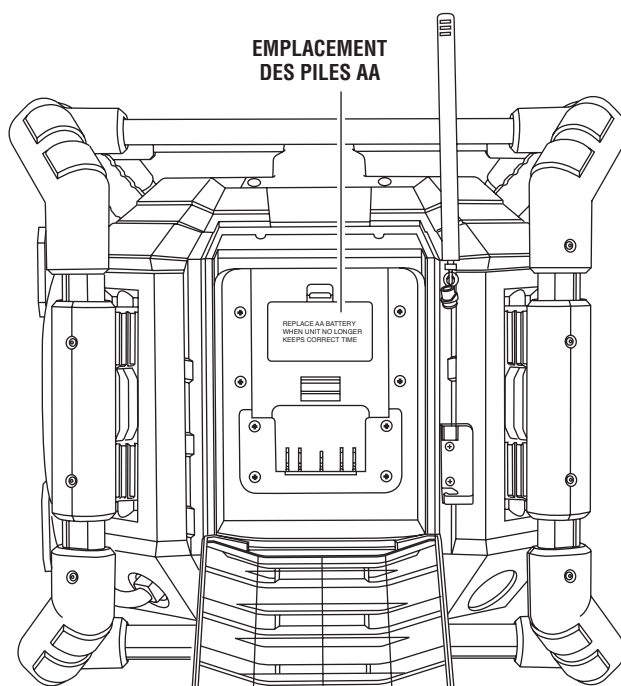
Après avoir branché l'appareil dans une source d'alimentation c.a., effectuez les actions suivantes pour utiliser les prises de courant pratiques :

1. Soulevez le cache de protection pour exposer les sorties d'alimentation c.a.
2. Branchez l'équipement ou outil électrique désiré dans la prise.
3. Après avoir fini d'utiliser les prises de courant c.a. de l'appareil, assurez-vous que les capuchons de protection sont fermés correctement.

⚠ AVERTISSEMENT N'utilisez pas lorsqu'il est probable que de l'eau s'infiltrera dans l'appareil. Ce dispositif ne protégera pas contre les décharges électriques provenant : 1. des défauts ou des problèmes affectant l'alimentation électrique de l'interrupteur ; 2. des contacts entre une personne et les deux conducteurs du circuit de l'interrupteur.

Remplacement des piles de l'horloge

1. Ouvrez la porte du compartiment des piles.
2. Retirez le cache des piles AA.
3. Retirez les anciennes piles et mettez-les au rebut conformément à la réglementation applicable.
4. Insérez les nouvelles piles AA. N'utilisez pas de piles usagées ou de types différents ; utilisez seulement des piles alcalines neuves.



Entretien

Service

⚠ AVERTISSEMENT IL N'EXISTE À L'INTÉRIEUR AUCUNE PIÈCE SUSCEPTIBLE D'ÊTRE ENTRE-TENUE PAR L'UTILISATEUR. L'entretien préventif exécuté par des personnes non autorisés peut entraîner un positionnement erroné des composants et des fils internes, ce qui peut présenter de graves dangers. Nous recommandons de confier toute intervention d'entretien sur l'outil à un centre de service-usine Bosch ou à un centre de service après-vente Bosch agréé. TECHNICIENS : débranchez la radio de l'alimentation avant de commencer la réparation.

L'entretien et les réparations ne doivent être effectués que par des techniciens agréés. Une personne incompétente risquerait de se blesser lors de toute opération d'entretien ou de réparation.

Si un composant doit faire l'objet d'une substitution, n'utilisez qu'un composant identique pour la substitution. Suivez les consignes de la rubrique de ce mode d'emploi qui est consacrée à l'entretien. L'emploi de pièces non autorisées ou le non-respect des consignes de maintenance risque de créer un danger de décharge électrique ou de blessure.

PILES

Faire attention aux blocs-piles qui approchent la fin de leur vie. Si vous remarquez une diminution dans les performances de votre radio ou une durée de fonctionnement réduite de manière significative entre charges, il est temps de remplacer le bloc-piles. S'il n'est pas remplacé, il se peut qu'il endommage le chargeur ou que l'outil fonctionne incorrectement.

Nettoyage

⚠ AVERTISSEMENT Pour éviter les accidents, déconnectez toujours la radio du boîtier d'alimentation avant de procéder au nettoyage.

UNITÉ PRINCIPALE DE L'APPAREIL

N'insérez jamais un disque sale/éraylé dans l'appareil, et ne laissez pas de saletés ou de sable pénétrer à l'intérieur.

Ne retirez pas subitement l'appareil d'un endroit très froid pour le mettre dans un endroit chaud. Ceci risquerait de causer la formation de condensation sur la lentille optique et empêcher un fonctionnement correct.

Ne laissez pas l'appareil exposé à la lumière directe du soleil pendant des périodes prolongées ; ceci pourrait déformer ou décolorer le coffret, et risquerait également de causer un mauvais fonctionnement de l'appareil.

Essayez l'appareil avec un chiffon doux. Retirez les saletés incrustées avec un chiffon humide trempé dans de l'eau savonneuse, puis essuyez pour sécher.

Si vous avez l'intention d'utiliser une pièce d'étoffe imbibée d'un produit chimique, lisez d'abord le mode d'emploi qui l'accompagne.

N'utilisez pas d'alcool ou de diluants.

⚠ MISE EN GARDE Certains agents de nettoyages et certains dissolvants abîment les pièces en plastique. Parmi ceux-ci se trouvent : l'essence, le tétrachlorure de carbone, les dissolvants de nettoyage chlorés, l'ammoniaque ainsi que les détergents domestiques qui en contiennent.

Accessoires

⚠ AVERTISSEMENT Si un cordon de rallonge s'avère nécessaire, vous devez utiliser un cordon avec conducteurs de dimension adéquate pouvant porter le courant nécessaire à votre outil. Ceci prévient une chute excessive de tension, une perte de courant ou une surchauffe. Les outils mis à la terre doivent utiliser des cordons de rallonge trifilaires pourvus de fiches à trois broches ainsi que des prises à trois broches.

REMARQUE : Plus le calibre est petit, plus le fil est gros.

DIMENSIONS DE RALLONGES RECOMMANDÉES OUTILS 120 VOLTS COURANT ALTERNATIF





Intensité nominale de l'outil	Calibre A.W.G.				Calibre en mm ²			
	Longueur en pieds				Longueur en mètres			
	25	50	100	150	15	30	60	120
3-6	18	16	16	14	0.75	0.75	1.5	2.5
6-8	18	16	14	12	0.75	1.0	2.5	4.0
8-10	18	16	14	12	0.75	1.0	2.5	4.0
10-12	16	16	14	12	1.0	2.5	4.0	–
12-16	14	12	–	–	–	–	–	–

Détermination de la cause, et résolution, des problèmes

Problème	Détermination de la cause	Résolution du problème
La partie audio ne fonctionne pas.	<ol style="list-style-type: none"> 1. Le cordon d'alimentation est-il connecté correctement ? 2. Le bloc-piles Bosch a-t-il été inséré ou installé correctement ? 3. Le bloc-piles doit-il être rechargé ? 	<ol style="list-style-type: none"> 1. Branchez le cordon d'alimentation c.a. 2. Assurez-vous que le bloc-piles est inséré complètement. 3. Chargez le bloc-piles avec le chargeur de piles (vendu séparément).
La réception radio est bruyante ou faible.	<ol style="list-style-type: none"> 1. Y a-t-il un autre équipement à proximité qui produit des interférences ? 2. L'antenne FM interne est-elle affectée par des interférences ? 	<ol style="list-style-type: none"> 1. Déplacez l'appareil à un autre endroit à distance de la source des interférences. 2. Orientez l'appareil dans un autre sens.
La prise à 4 voies ne fonctionne pas.	<ol style="list-style-type: none"> 1. Le cordon d'alimentation est-il connecté correctement ? 2. Le voyant vert est-il illuminé sur les prises de courant ? 	<ol style="list-style-type: none"> 1. Branchez le cordon d'alimentation c.a.
L'appareil cesse subitement de fonctionner.	<ol style="list-style-type: none"> 1. Le cordon d'alimentation est-il connecté correctement à l'appareil ? 2. L'écran à cristaux liquides indique-t-il que l'appareil est sous tension ? 	<ol style="list-style-type: none"> 1. Branchez l'appareil sur une source d'alimentation. 2. Le logiciel de l'appareil doit être réinitialisé. Retirez toutes les piles de l'appareil et débranchez le cordon d'alimentation c.a., puis attendez 30 secondes et rebranchez le cordon d'alimentation c.a. dans la prise secteur. Ou appuyez sur le bouton Volume/Clock pendant plus de 1 seconde, et RS apparaîtra. Tournez le cadran Volume/Clock pour choisir Yes (Oui) ou No (Non). Confirmez votre sélection en appuyant sur le bouton Volume/Clock.

Símbolos de seguridad

Las definiciones que aparecen a continuación describen el nivel de gravedad de cada palabra de señal de seguridad. Por favor, lea el manual y preste atención a estos símbolos.

	Éste es el símbolo de alerta de seguridad. Se utiliza para alertarle a usted de posibles peligros de lesiones corporales. Obedezca todos los mensajes de seguridad que sigan a este símbolo para evitar posibles lesiones o muerte.
	PELIGRO indica una situación peligrosa que, si no se evita, causará la muerte o lesiones graves.
	ADVERTENCIA indica una situación peligrosa que, si no se evita, podría causar la muerte o lesiones graves.
	PRECAUCIÓN indica una situación peligrosa que, si no se evita, podría causar lesiones leves o moderadas.

INSTRUCCIONES DE SEGURIDAD IMPORTANTES

ADVERTENCIA Lea todas las advertencias de seguridad y todas las instrucciones que se indican en este manual y en el manual del cargador de baterías. Si no se siguen las advertencias e instrucciones, es posible que el resultado sea descargas eléctricas, incendio y/o lesiones graves.

GUARDE TODAS LAS ADVERTENCIAS E INSTRUCCIONES PARA REFERENCIA FUTURA

El término "unidad" incluido en las advertencias se refiere a la Bosch GPB18V-2C.

1. Lea estas instrucciones.
2. Conserve estas instrucciones.
3. Haga caso de todas las advertencias.
4. Siga todas las instrucciones.
5. No utilice esta unidad cerca de agua. No exponga la unidad a la lluvia ni a la humedad. No sumerja nunca la unidad en líquido ni permita que ningún líquido fluya dentro de la unidad. La entrada de agua en una unidad aumentará el riesgo de descargas eléctricas.
6. Limpie la unidad solo con un paño seco. No utilice agentes de limpieza ni solventes.
7. No bloquee ninguna abertura de ventilación. Instale la unidad de acuerdo con las instrucciones del fabricante.
8. No instale la unidad cerca de cualquier fuente de calor, tal como radiadores, rejillas de calefacción, estufas de cocina u otros aparatos (incluyendo amplificadores) que produzcan calor.
9. No anule el propósito de seguridad del enchufe polarizado o de tipo con conexión a tierra. Un enchufe polarizado tiene dos terminales, una de las cuales es más ancha que la otra. Un enchufe polarizado de tipo con conexión a tierra tiene dos terminales y una tercera espiga de conexión a tierra. El terminal ancho o la tercera espiga se proporciona para ofrecer seguridad al operador. Si el enchufe suministrado no encaja en el tomacorriente que usted vaya a utilizar, consulte a un electricista para reemplazar el tomacorriente obsoleto.
10. Proteja el cable de alimentación para no pisarlo ni aplastarlo, en particular en los enchufes, los tomacorrientes auxiliares y el punto por donde salen de la unidad. No maltrate el cable. No utilice nunca el cable para transportar la unidad ni para jalar el enchufe con el fin de sacarlo de un tomacorriente. Mantenga el cable alejado del calor, el aceite, los bordes afilados o las piezas móviles. Reemplace inmediatamente los cables dañados. Los cables dañados aumentan el riesgo de descargas eléctricas y es posible que causen un incendio.
11. Utilice solo aditamentos/accesorios especificados por el fabricante.
12. Desenchufe esta unidad durante las tormentas eléctricas o cuando no se utilice durante periodos prolongados.
13. Enchufe la fuente de alimentación solo en un tomacorriente fácilmente accesible para permitir desenchufar rápidamente la unidad.
14. Para reducir el riesgo de descargas eléctricas, enchufe la unidad solamente en un tomacorriente protegido por un interruptor de circuito accionado por corriente de pérdida a tierra (GFCI) cuando se utilice en lugares húmedos. Si no se dispone de un tomacorriente protegido por un GFCI, utilice un tomacorriente portátil con protección GFCI incorporada.
15. Utilice esta unidad solo en un área bien ventilada.
16. La unidad no se expondrá a agua que gotee o salpique y no se colocará sobre la unidad ningún objeto lleno de líquidos, tal como un jarrón.
17. No utilice esta unidad en atmósferas explosivas, tales como las existentes en presencia de líquidos, gases o polvos inflamables.
18. Haga que todo el servicio de ajustes y reparaciones sea realizado por personal de servicio calificado. El servicio de ajustes y reparaciones es necesario cuando la unidad se haya dañado de

alguna manera, como cuando el cable de la fuente de alimentación o el enchufe esté dañado, cuando se haya derramado líquido o hayan caído objetos dentro de la unidad, cuando la unidad haya sido expuesta a lluvia o humedad, o cuando no funcione normalmente. El servicio de ajustes y reparaciones o el mantenimiento realizados por personal no calificado podría causar un riesgo de lesiones.

19. Una unidad alimentada por baterías que utilice baterías integrales o un paquete de batería separado se debe recargar solo con el cargador especificado para la batería. Es posible que un cargador que pueda ser adecuado para un tipo de batería cree un riesgo de incendio cuando se utilice con otra batería.

20. Utilice la batería solo en combinación con su producto Bosch. Esta medida por sí sola protege la batería contra una sobrecarga peligrosa.

21. Utilice solo las baterías incluidas en la lista de baterías/cargadores. Cuando utilice otras baterías, p. ej., imitaciones, baterías reacondicionadas u otras marcas, hay peligro de lesiones, así como de daños materiales por causa de explosión de las baterías.

22. Lea la etiqueta de capacidad nominal ubicada en la parte inferior de la unidad para conocer la entrada de potencia y otra información de seguridad.

Cuidado de las baterías

Quando el paquete de batería no se esté utilizando, manténgalo alejado de otros objetos metálicos, tales como clips sujetapapeles, monedas, llaves, clavos, tornillos u otros objetos metálicos pequeños, que puedan hacer una conexión de un terminal al otro. Si se cortocircuitan juntos los terminales de la batería es posible que se causen quemaduras o un incendio.

La batería puede resultar dañada por objetos puntiagudos, tales como clavos o destornilladores, o por una fuerza aplicada externamente. Puede ocurrir un cortocircuito interno y la batería puede arder, humear, explotar o sobrecalentarse.

En condiciones abusivas es posible que se expulse líquido de la batería; evite el contacto. Si se produce contacto accidentalmente, enjuáguese con agua. Si el líquido entra en contacto con los ojos, obtenga además ayuda médica. Es posible que el líquido expulsado de la batería cause irritación o quemaduras.

No utilice un paquete de batería, una fuente de alimentación o una unidad que esté dañada o modificada. Es posible que los productos

dañados o modificados exhiban un comportamiento imprevisible que cause incendio, explosión o riesgo de lesiones.

No exponga un paquete de batería, la fuente de alimentación o la unidad a un fuego o a una temperatura excesiva. Es posible que la exposición a un fuego o a una temperatura superior a 265 °F cause una explosión.

Siga todas las instrucciones de carga y no cargue el paquete de batería ni la herramienta fuera del intervalo de temperatura especificado en las instrucciones. Es posible que la realización de la carga de manera inadecuada o a temperaturas que estén fuera del intervalo especificado dañe la batería y aumente el riesgo de incendio.

PRECAUCIÓN: Peligro de explosión si la batería es reemplazada incorrectamente. Reemplácela solamente con una del mismo tipo o de tipo equivalente.

Eliminación de las baterías

⚠ ADVERTENCIA No intente desarmar la batería ni quitar ninguno de los componentes que sobresalen de los terminales de la batería. Se pueden producir lesiones o un incendio. Antes de tirarla, proteja los terminales que están al descubierto con cinta adhesiva aislante gruesa para prevenir cortocircuitos.

Baterías de iones de litio

Si este producto está equipado con una batería de iones de litio, dicha batería debe recogerse, reciclarse o eliminarse de manera segura para el medio ambiente.



“El sello de reciclaje de baterías RBRC certificado por la EPA que se encuentra en la batería de iones de litio (Li-ion) indica que Robert Bosch Tool Corporation está participando voluntariamente en un programa de la industria para recoger y reciclar estas baterías al final de

su vida útil, cuando se retiran de servicio en los Estados Unidos y Canadá. El programa RBRC proporciona una alternativa conveniente a tirar las baterías de Li-ion usadas a la basura o a la corriente municipal de aguas residuales, lo cual quizás sea ilegal en su área.

Tenga la amabilidad de llamar al 1-800-8-BATTERY para obtener información acerca de las prohibiciones/restricciones sobre el reciclaje y la eliminación de baterías de Li-ion en su lugar o devuelva las baterías a un Centro de servicio Skil/Bosch/Dremel para reciclarlas. La participación de Robert Bosch Tool Corporation en este programa es parte de nuestro compromiso hacia preservar nuestro medio ambiente y conservar nuestros recursos naturales.”

Índice de materias

Seguridad	30-31	Función radio	38
Instrucciones de seguridad importantes	30	Función auxiliar	38
Cuidado de las baterías	31	Función de apareamiento Bluetooth®	39
Eliminación de las baterías	31	USB: Carga	39
Índice de materias	32	Suelta e introducción del paquete de batería	40
Información de la FCC/IC.....	32	Para suministrar alimentación a la unidad	41
Descripción funcional y especificaciones	35	Utilización de los tomacorrientes de 4 conectores de conveniencia.....	41
Pantalla de LCD.....	36	Cambio de las baterías del reloj	42
Ajuste del reloj	36	Mantenimiento	42
Controles del modelos PB360C y PB360C-C.....	37	Accesorios	43
Instrucciones de funcionamiento	38-39	Resolución de problemas	43
Ajustes de audio	38		

Declaración de la FCC

Este dispositivo cumple con los límites de exposición a radiación de la FCC establecidos para un entorno no controlado.

Este equipo se deberá instalar y utilizar con una distancia mínima de 20 cm entre el radiador y cualquier parte del cuerpo del usuario.

Nombre del producto / Número de modelo: Radio para el sitio de construcción con Bluetooth® / GPB18V-5C

Declaración de conformidad del proveedor de acuerdo con la FCC

Este dispositivo cumple con la parte 15 de las Reglas de la FCC. Su utilización está sujeta a las dos condiciones siguientes: (1) Este dispositivo no podrá causar interferencia perjudicial y (2) este dispositivo debe aceptar cualquier interferencia, incluyendo interferencia que pueda causar un funcionamiento no deseado del dispositivo.

Nombre del proveedor: Robert Bosch Tool Corporation.

Dirección de proveedores: Mt Prospect, IL, USA 60056

www.boschtools.com

⚠ PRECAUCION Todos aquellos cambios o modificaciones no aprobados expresamente por la parte responsable del cumplimiento podrían anular la autoridad del usuario para utilizar el equipo.

NOTA: Este equipo ha sido sometido a pruebas y se ha comprobado que cumple con los límites para un dispositivo digital de Clase B, conforme a la parte 15 de las Normas de la FCC. Estos límites están diseñados para proporcionar protección razonable contra la interferencia perjudicial en una instalación residencial. Este equipo genera, usa y puede irradiar energía de radiofrecuencia y, si no se instala y utiliza de acuerdo con las

instrucciones, puede causar interferencia perjudicial para las radiocomunicaciones. Sin embargo, no hay garantía de que no vaya a ocurrir interferencia en una instalación específica. Si este equipo causa interferencia perjudicial para la recepción de radio o televisión, lo cual se puede determinar apagando y encendiendo el equipo, se recomienda al usuario que intente corregir la interferencia tomando una o más de las medidas siguientes:

- Reoriente o reubique la antena receptora.
- Aumente la separación entre el equipo y el receptor.
- Conecte el equipo a un tomacorriente que esté en un circuito distinto al circuito al que el receptor esté conectado.
- Consulte al distribuidor o a un técnico experto en radio/TV para obtener ayuda.

Industry Canada (IC)








Este dispositivo cumple con los estándares RSS exentos de licencia de Industry Canada. Su utilización está sujeta a las dos condiciones siguientes:

- (1) Este dispositivo no podrá causar interferencia; y
- (2) Este dispositivo debe aceptar cualquier interferencia, incluyendo interferencia que puede causar un funcionamiento no deseado del dispositivo.

El dispositivo cumple con la exención de los límites de evaluación de rutina que se encuentran en la sección 2.5 del estándar RSS 102, así como con el estándar de exposición a RF RSS-102; los usuarios pueden obtener información canadiense sobre la exposición a RF y el cumplimiento.












Símbolos

IMPORTANTE: Es posible que algunos de los símbolos siguientes se usen en su herramienta. Por favor, estúdielos y aprenda su significado. La interpretación adecuada de estos símbolos le permitirá utilizar la herramienta mejor y con más seguridad.

Símbolo	Désignación/Explicación
V	Volt (tensión)
A	Ampere (corriente)
Hz	Hertz (frecuencia, ciclos por segundo)
W	Watt (potencia)
kg	Kilogramo (peso)
min	Minuto (tiempo)
s	Segundo (tiempo)
∅	Diámetro (tamaño de las brocas taladradoras, muelas, etc)
n_0	Velocidad sin carga (velocidad rotacional sin carga)
n	Velocidad nominal (máxima velocidad obtenible)
.../min	Revoluciones o alternación por minuto (revoluciones, golpes, velocidad de superficie, órbitas, etc., por minuto)
0	Posición "off" (velocidad cero, par motor cero...)
1, 2, 3, ... I, II, III,	Graduaciones del selector (graduaciones de velocidad, par motor o posición. Un número más alto significa mayor velocidad)
	Selector infinitamente variable con apagado (la velocidad aumenta desde la graduación de 0)
	Flecha (Acción en la dirección de la flecha)
	Corriente alterna (tipo o una característica de corriente)
	Corriente continua (tipo o una característica de corriente)
	Corriente alterna o continua (tipo o una característica de corriente)
	Construcción de clase II (designa las herramientas de construcción con aislamiento doble)
	Terminal de toma de tierra (terminal de conexión a tierra)

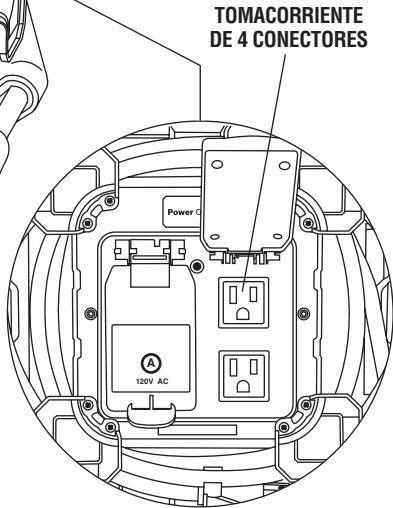
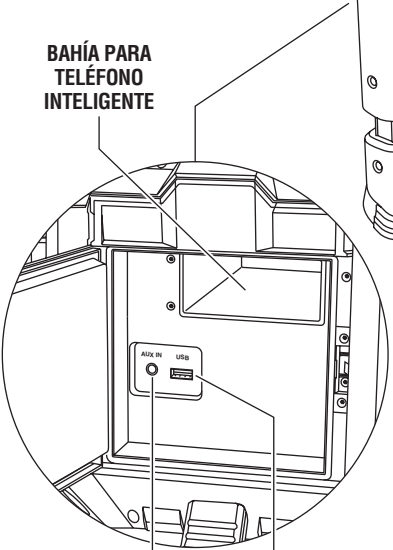
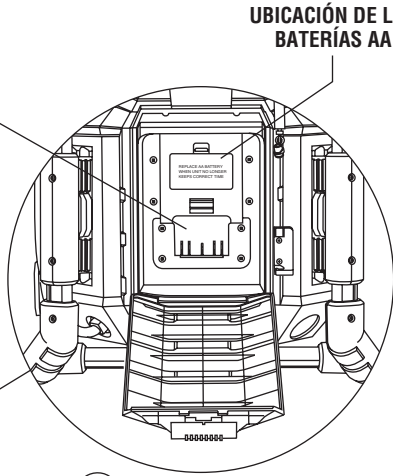
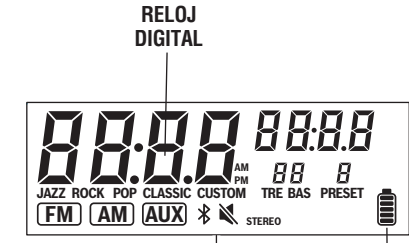
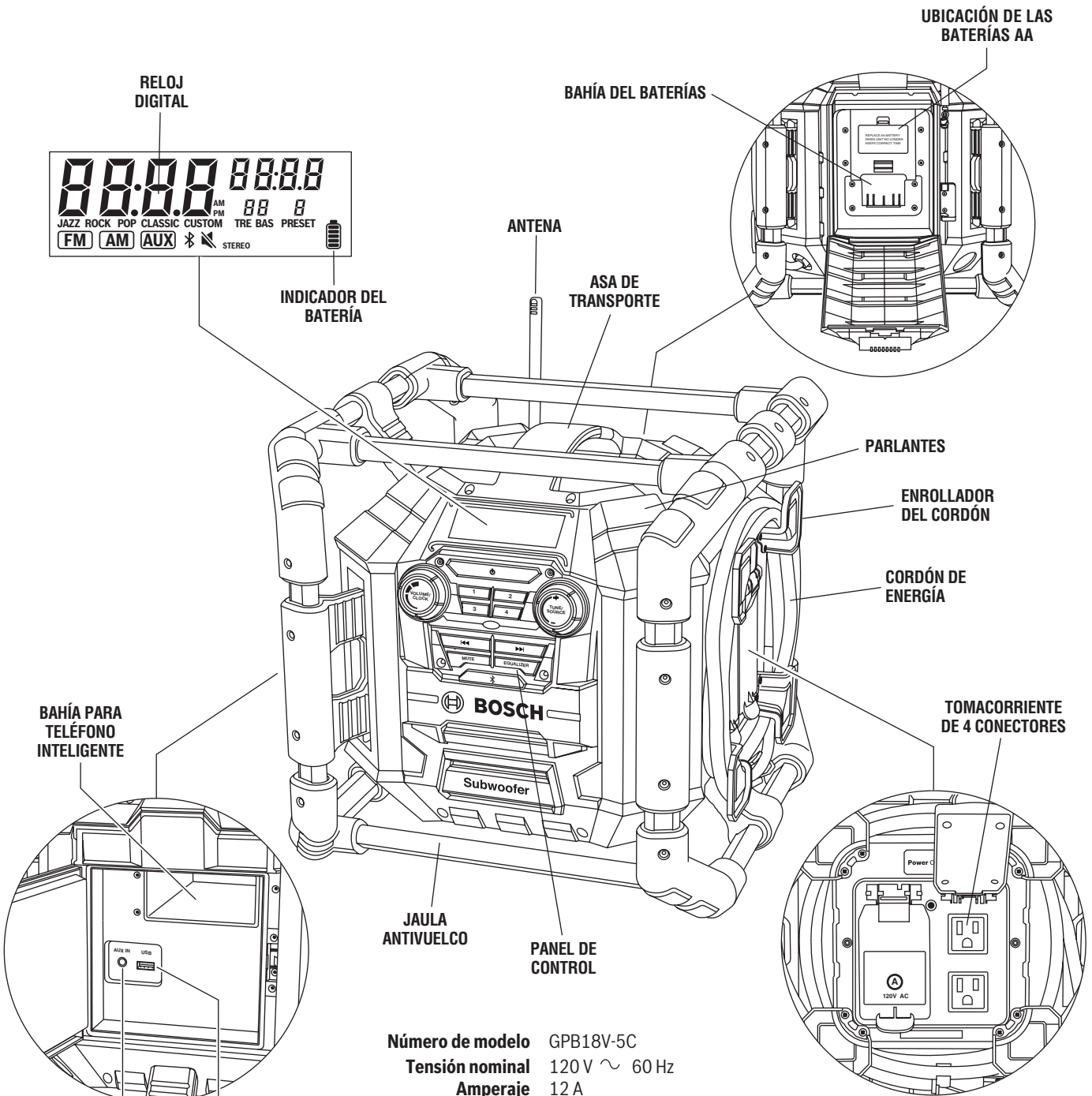
Símbolos (continuación)

IMPORTANTE: Es posible que algunos de los símbolos siguientes se usen en su herramienta. Por favor, estúdielos y aprenda su significado. La interpretación adecuada de estos símbolos le permitirá utilizar la herramienta mejor y con más seguridad.

Símbolo	Désignación/Explicación
	Designa el programa de reciclaje de baterías de Li-ion.
	Designa el programa de reciclaje de baterías de Ni-Cd.
	Alerta al usuario para que lea el manual.
	Este símbolo indica que esta herramienta está catalogada por Underwriters Laboratories.
	Este símbolo indica que este componente está reconocido por Underwriters Laboratories.
	Este símbolo indica que Underwriters Laboratories ha catalogado esta herramienta indicando que cumple con las normas estadounidenses y canadienses.
	Este símbolo indica que esta herramienta está catalogada por la Canadian Standards Association.
	Este símbolo indica que la Canadian Standards Association ha catalogado esta herramienta indicando que cumple con las normas estadounidenses y canadienses.
	Este símbolo indica que Intertek Testing Services ha catalogado esta herramienta indicando que cumple con las normas estadounidenses y canadienses.
	Este símbolo indica que esta herramienta cumple con la norma mexicana oficial (NOM).
	El símbolo de destello de rayo con cabeza de flecha, ubicado dentro de un triángulo equilátero, tiene como finalidad alertar al usuario de la presencia de un "voltaje peligroso" sin aislamiento dentro de la carcasa del producto, que podría ser de magnitud suficiente como para constituir un riesgo de descargas eléctricas a las personas.
PRECAUCIÓN: RIESGO DE DESCARGAS ELÉCTRICAS NO ABRA LA UNIDAD	PRECAUCION: para reducir el riesgo de descargas eléctricas, no quite la tapa (o la parte de atrás). en el interior no hay piezas a las que el usuario pueda hacer servicio de revisión. ponga el servicio de revisión en manos de personal de servicio calificado.

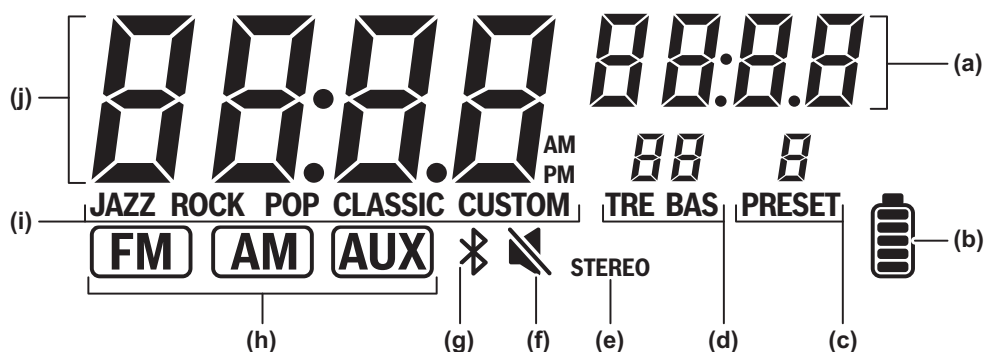
Descripción funcional y especificaciones

Estéreo para el sitio de construcción con tomacorriente de 4 conectores



Número de modelo	GPB18V-5C
Tensión nominal	120 V ~ 60 Hz
Amperaje	12 A
Baterías compatibles	Sírvase consultar la lista de baterías/cargadores incluidas con su unidad.
Tomacorrientes con GFCI	Tensión 120 V ~ 60 Hz Amperaje 10 A
Radio	AM 530-1710kHz FM 87.5-107.9MHz
Memoria	AM 4 preajustes FM 4 preajustes

Pantalla de LCD



- a. **NUMÉRICA:** Muestra la frecuencia de estación de FM o AM en el modo de sintonizador.
- b. Icono de **BATERÍA:** Indica que la batería está en la unidad.
- c. **PRESET (PREAJUSTE):** Se ilumina cuando se tiene una estación de radio preajustada seleccionada.
- d. **BAS (GRAVES):** Se ilumina cuando usted ajusta el nivel de bajos deseado.
- TRE (AGUDOS):** Se ilumina cuando usted ajusta el nivel de agudos deseado.
- e. **STEREO (ESTÉREO):** Se ilumina cuando la estación de radio está emitiendo en canal estéreo.
- f. **Mute (Silenciar):** Se ilumina cuando usted silencia el equipo estéreo.
- g. **Bluetooth®:** Se ilumina cuando se conecta una fuente de audio externa a través de la conexión Bluetooth®.
- h. **FM:** Indica la banda de FM en el modo de sintonizador.
- AM:** Indica la banda de AM en el modo de sintonizador.
- AUX:** Se ilumina cuando usted selecciona el modo AUX para usar un dispositivo reproductor de medios externo.
- i. **JAZZ:** Se ilumina cuando se selecciona Jazz en Equalizer.
- ROCK:** Se ilumina cuando se selecciona Rock en Equalizer.
- POP:** Se ilumina cuando se selecciona Pop en Equalizer.
- CLASSIC:** Se ilumina cuando se selecciona Classical en Equalizer.
- CUSTOM (PERSONALIZADO):** Se ilumina cuando se selecciona Custom en Equalizer o cuando se presiona el botón Custom.
- j. **NUMÉRICA:** Muestra la hora del reloj una vez que se ha ajustado y la estación de radio durante la sintonización.

Ajuste del reloj

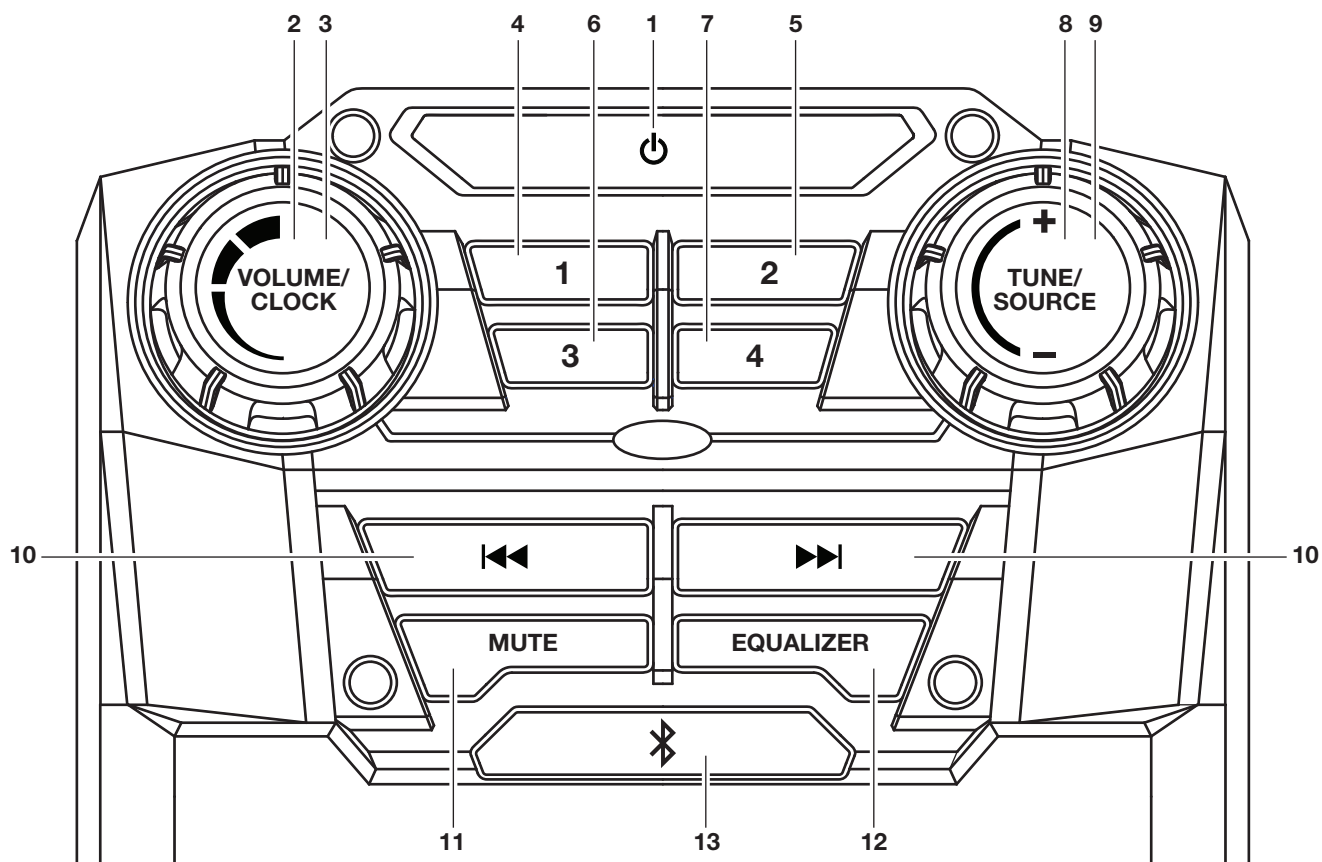
Cuando el enchufe de CA o el paquete de batería esté introducido, la unidad irá preestablecidamente al modo de espera y la pantalla de LCD mostrará "0:00". Siga los pasos que se indican a continuación para ajustar la hora local correcta.

1. Presione brevemente el botón de volumen/reloj **Volume/Clock** y seleccione el formato entre 12 horas <12H> y 24 horas <24H> girando el dial de volumen/reloj **Volume/Clock**.
2. Presione el botón **Volume/Clock** para ajustar el formato de hora.
3. La "hora" se activa y parpadea. Gire el dial de **Volume/Clock** para seleccionar el número de horas correcto.

4. Presione una vez el botón **Volume/Clock** para ajustar la hora y "minute" (minuto) se activará y parpadeará.
5. Gire el dial de **Volume/Clock** para seleccionar el número de minutos correcto.
6. Presione una vez el botón **CLOCK** para almacenar el ajuste de reloj.

Nota: Se necesitan 2 baterías AA para mantener actualizada la hora cuando la unidad no esté enchufada. Reemplace las baterías AA cuando la unidad ya no mantenga la hora correcta. (Consulte la sección sobre cambio de las baterías AA del reloj.)

Controles del modelos GPB18V-5C



1. **Power** Para cambiar entre los modos de encendido y espera.
2. **VOLUME/CLOCK**: Para aumentar/reducir el volumen de audio en todos los modos. El volumen se ajusta de 0-30 (min-máx) en una revolución completa. El dial gira 360 grados.
3. **VOLUME/CLOCK (VOLUMEN/RELOJ)**: Al presionarlo, ajusta y almacena la configuración del reloj. Para realizar el ajuste: Presiónelo una vez y utilice el dial de Volume/Clock para seleccionar el formato de hora. Presiónelo de nuevo y utilice el dial de Volume/Clock para ajustar la hora. Presiónelo de nuevo y utilice el dial de Volume/Clock para ajustar el minuto. Presiónelo de nuevo para establecer la configuración.
4. **Preset (Preajuste) 1**: Para seleccionar una estación sintonizada almacenada. Presiónelo hasta que el número de espacio de almacenamiento aparezca en el indicador de espacio de almacenamiento.
5. **Preset (Preajuste) 2**: Para seleccionar una estación sintonizada almacenada. Presiónelo hasta que el número de espacio de almacenamiento aparezca en el indicador de espacio de almacenamiento.
6. **Preset (Preajuste) 3**: Para seleccionar una estación sintonizada almacenada. Presiónelo hasta que el número de espacio de almacenamiento aparezca en el indicador de espacio de almacenamiento.
7. **Preset (Preajuste) 4**: Para seleccionar una estación sintonizada almacenada. Presiónelo hasta que el número de espacio de almacenamiento aparezca en el indicador de espacio de almacenamiento.
8. **TUNE/SOURCE**: Cuando use la fuente de Radio, gire el dial para ajustar el canal de la estación de radio.
9. **TUNE/SOURCE**: (Fuente): Presiónelo para cambiar entre Radio FM, AM, AUX, (Bluetooth®).
10. **◀◀/-Seek o Seek+/▶▶**: Cuando use la fuente de Radio: Presiónelo y manténgalo presionado para buscar rápidamente estaciones de radio hacia arriba o hacia abajo. Cuando esté escuchando una fuente de dispositivo Bluetooth®: Presione una vez el botón para saltar a la pista previa.
11. **MUTE (SILENCIAR)**: Para silenciar el volumen del equipo estéreo.
12. **EQUALIZER**: Para cambiar entre los ajustes de ecualizador prefijados Jazz, Rock, Pop, Classic y Custom.
13. **Botón de apareamiento Bluetooth®** : Cuando esté escuchando una fuente de dispositivo Bluetooth®.

Instrucciones de funcionamiento

Ajustes de audio

VOLUMEN

Su Estéreo para el sitio de construcción tiene 30 ajustes de volumen preajustados seleccionables. Para ajustar el nivel de VOLUME, gire el **dial de Volume/Clock** en el sentido de las agujas del reloj o en sentido contrario al de las agujas del reloj hasta el nivel de volumen deseado.

Ecuilizador

Su Estéreo para el sitio de construcción tiene 5 posiciones de ecualizador preajustadas seleccionables y un ajuste personalizado que le permitirá seleccionar el nivel de los tonos graves y agudos.

Al presionar repetidamente **Ecuilizador** se seleccionará a través de los 5 ajustes de ecualizador y el personalizado, iluminándose cada ajuste ubicado en la pantalla de LCD: JAZZ, ROCK, POP, CLASSICAL y CUSTOM.

Para ajustar los valores personalizados de bajos y agudos, siga los pasos que se indican a continuación:

1. Presione el botón de ecualización **Equalizer** durante más de 0,5 segundos. Aparecerá CUSTOM (PERSONALIZADO) en el indicador de preajuste de sonido en la pantalla.
2. Se mostrará **TRE** (AGUDOS) en el indicador de agudos/graves; el valor de agudos actual parpadeará. Gire el dial de Volume/Clock para cambiar los agudos. Presione el botón **Volume/Clock** para almacenar el valor establecido.
3. **BAS** (GRAVES) y el valor de graves actual se mostrarán ahora en el indicador de agudos/graves. Cambie y almacene el ajuste de graves de la misma manera que se ha descrito para los agudos.
4. Después de almacenar el ajuste de graves o 10 segundos después de utilizar por última vez el botón **Volume/Clock**, la radio regresará a funcionamiento de audio.

Nota: Los ajustes de graves y agudos tienen cada uno un intervalo de -5 a +5.

ESTÉREO

Cuando el sintonizador de FM reciba una señal fuerte de FM, "Stereo" se iluminará en la pantalla de LCD. Si el sintonizador de FM recibe una señal débil, "Stereo" no se iluminará en la pantalla de LCD. Para mejorar el sonido de una estación débil, ajuste la antena extra o posicione la Estéreo para el sitio de construcción en una ubicación distinta.

Función de radio

PARA SELECCIONAR LA BANDA Y LAS ESTACIONES

Este sintonizador es operado en frecuencia de AM estándar de 530-1710 kHz y en frecuencia de FM estándar de 87.5-107.9 MHz. Siga los pasos que se indican a continuación para sintonizar la estación:

1. Presione repetidamente el botón **Source/Tune** (Fuente) hasta que se seleccione "FM" o "AM".
2. Gire el dial de sintonización **Source/Tune** en el sentido de las agujas del reloj o en sentido contrario al de las agujas del reloj para sintonizar la frecuencia de radio deseada.

3. Para "Buscar", presione y mantenga presionado el botón **◀◀/Seek** para buscar hacia abajo o el botón **Seek+/▶▶** para buscar hacia arriba hasta que se reciba una estación con señal fuerte.

Nota: Si no se está recibiendo ninguna estación cuando la unidad deje de buscar, repita los pasos mencionados anteriormente para buscar las estaciones preferidas.

PARA PRESELECCIONAR ESTACIONES

Cuatro preajustes para AM y cuatro preajustes para FM. Siga los pasos que se indican a continuación para preajustar una estación:

1. Sintonice la estación de radio deseada utilizando el dial de sintonización **Source/Tune**.
2. Para almacenar una estación sintonizada, presione el botón de preajuste del espacio de almacenamiento requerido hasta que el número del espacio de almacenamiento aparezca en el indicador de espacio de preajuste.
3. Una vez que esto se haya terminado, la estación se almacenará en el espacio de preajuste seleccionado.
4. Para comenzar a reproducir una estación almacenada, presione brevemente uno de los botones de preajuste. El número del espacio de almacenamiento aparecerá en el indicador de espacio de preajuste.

Nota: Una vez que se hayan sintonizado 4 estaciones para FM y 4 estaciones para AM, la estación preajustada será reemplazada si usted continúa preajustando otra estación en uno de los botones de preajuste.

PARA RECUPERAR LAS ESTACIONES PREAJUSTADAS

1. Presione el botón de preajuste deseado.


Función AUXILIAR

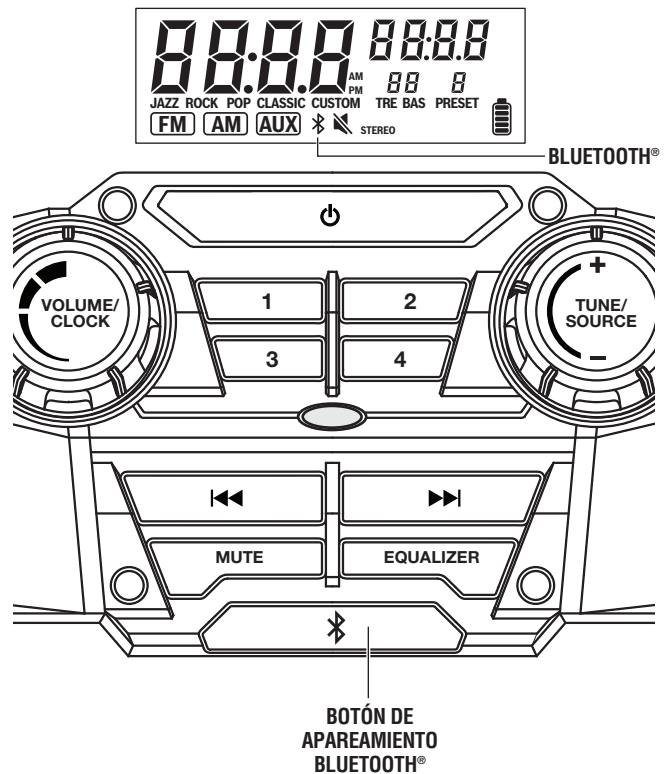
Si desea usar un reproductor de audio externo, tal como un reproductor de medios digitales o un reproductor de CD portátil, la unidad tiene uno Puertos Auxiliares para aceptar estas fuentes.

AUX, diseñado para utilizarse cuando es más deseable controlar el reproductor externo desde el exterior de la unidad.

1. Presione repetidamente el botón **Source/Tune** (Fuente) hasta que AUX esté iluminado en la pantalla de LCD.
2. Abra la cubierta de la **bahía de medios digitales** ubicada en el lado izquierdo de la unidad.
3. Inserte el enchufe de su cable en el conector hembra AUX IN.
4. Conecte el otro extremo del cable al puerto de salida para audífonos o de salida auxiliar de su reproductor de audio externo.
5. Reproduzca la fuente de audio externa de la manera en que lo haría normalmente.
6. Use el dial de **Volume/Clock** para ajustar el volumen.

Función de apareamiento Bluetooth®

1. Asegúrese de que la función Bluetooth® de su dispositivo personal esté encendida.
2. Encienda la la unidad presionando el botón **Power**  (Alimentación).
3. Presione el **botón de apareamiento Bluetooth®** (symbol) o el botón de sintonización/fuente **Tune/Source** hasta que el símbolo de Bluetooth® se muestre en el lado inferior derecho de la pantalla LCD y una luz azul parpadee lentamente en la parte delantera de la unidad.
4. Mantenga presionado el **botón de apareamiento Bluetooth®** durante más de 0,5 segundos.
5. Una vez que el símbolo de Bluetooth® parpadee rápidamente, seleccione "GPB18V-5C xxxx" en el menú bluetooth® de su dispositivo personal.
6. Una vez que el dispositivo se haya enlazado, el indicador de Bluetooth® (ubicado en la pantalla) se iluminará continuamente.
7. Seleccione la música de su dispositivo personal que le gustaría escuchar.
8. Asegúrese de comprobar el nivel del volumen de su dispositivo personal, ya que esto afectará a la salida del volumen de la la unidad. Nota: Ajuste el nivel de salida de audio de su dispositivo personal al 100% para maximizar la salida de audio de la la unidad. Ahora controle el volumen con el botón giratorio de control del volumen ubicado en la la unidad.
9. Presione "Reproducir" en su dispositivo personal y disfrute.

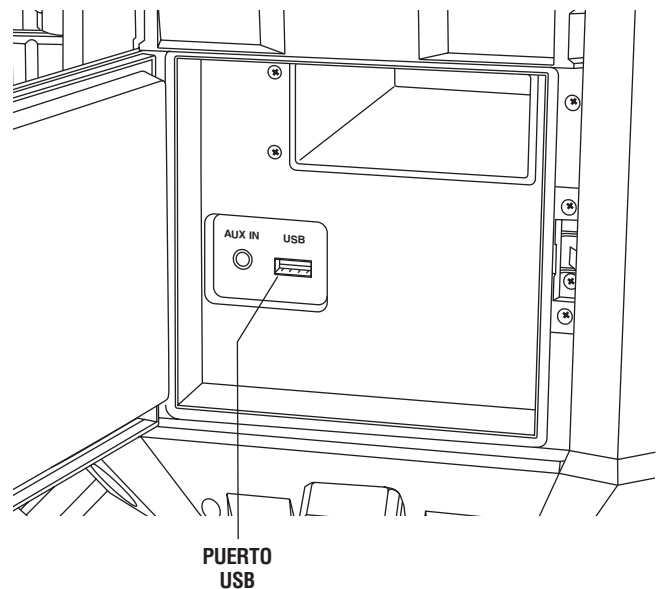


USB: Carga

El **puerto USB** está diseñado para cargar la mayoría de dispositivos habilitados para USB, tales como teléfonos celulares y reproductores de medios digitales externos. Siga los pasos que se indican a continuación para cargar su dispositivo habilitado para USB:

1. La carga por USB está disponible cuando la radio para el sitio de construcción esté enchufada en una fuente de alimentación de 120 V o cuando la radio tenga una batería de 18 V insertada y esté encendida.
2. Inserte el extremo USB del cable de su dispositivo en el **puerto USB** ubicado dentro de la **bahía de medios digitales**. Inserte el otro extremo del cable de su dispositivo en su dispositivo. Su dispositivo debería comenzar a cargarse.

Nota: Con el Estéreo para el sitio de construcción enchufado en una fuente de alimentación de 120 V, su dispositivo habilitado para USB se encenderá en cualquier momento. * No se garantiza que funcione con todos los dispositivos habilitados para USB.



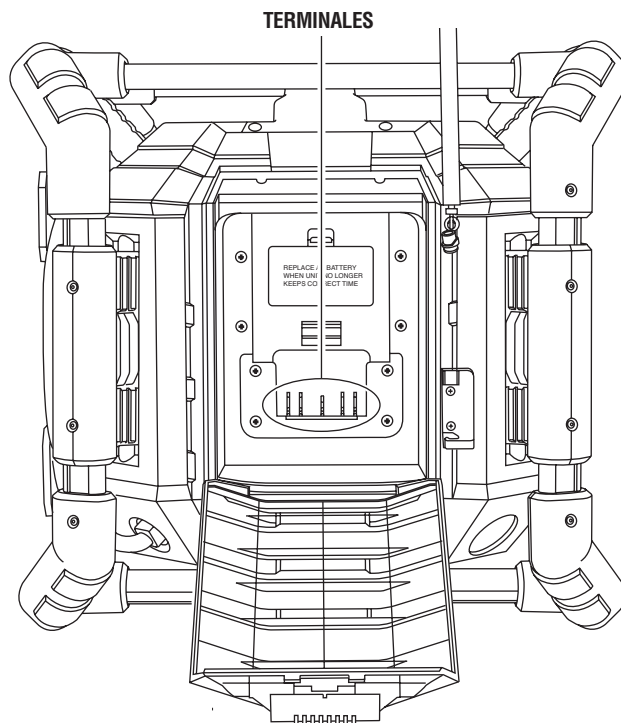
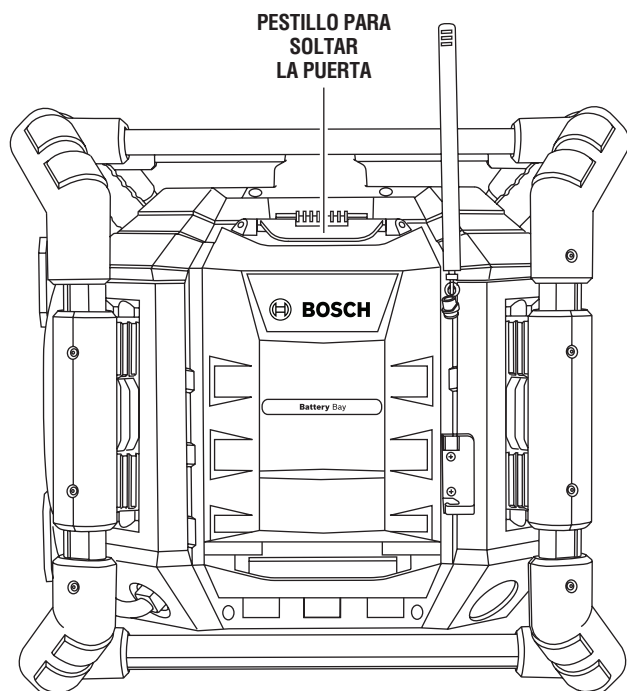
Suelta e introducción del paquete de batería

⚠ ADVERTENCIA Utilice solo las baterías incluidas en la lista de baterías/cargadores. Cuando utilice otras baterías, p. ej., imitaciones, baterías reacondicionadas u otras marcas, hay peligro de lesiones, así como de daños materiales por causa de explosión de las baterías.

Para liberar el paquete de batería de la unidad de radio o insertarlo en dicha unidad, abra la **bahía de las baterías** desbloqueando el pestillo. Para insertar la batería, alinee la batería con los terminales y deslice el paquete de batería sobre el terminal hasta que el paquete quede bloqueado en la posición correcta. No lo fuerce.

Para soltar la batería, presione el botón de liberación de la batería y deslice la batería hacia fuera hasta separarla de los terminales.

No utilice la unidad sin la puerta de la bahía de las baterías cerrada y bloqueada.



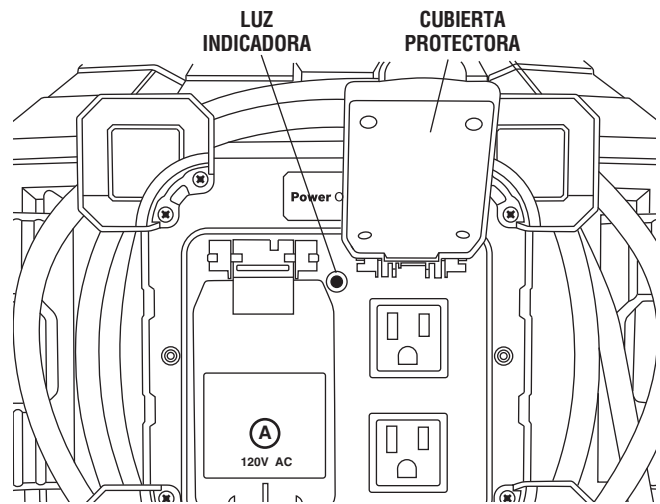
Para suministrar alimentación a la unidad

Para conectar el enchufe de energía de CA

Enchufe el cordón de energía de CA de la unidad en un tomacorriente/receptáculo eléctrico de CA estándar con CA de 120 V/60 Hz; la unidad cambiará a CA una vez que esté enchufada si estaba funcionando con energía procedente de una batería.

Para operar la unidad con la batería

El paquete de batería Bosch suministra alimentación de CC a la unidad en todos los modos cuando la unidad está desconectada de la alimentación de CA. Las 4 tomacorrientes de la unidad no están disponibles hasta que el cordón de energía de CA está enchufado en una fuente de energía de CA.



⚠ ADVERTENCIA Para reducir el riesgo de descargas eléctricas, enchufe la unidad solamente en un tomacorriente protegido por un interruptor de circuito accionado por corriente de pérdida a tierra (GFCI) cuando se utilice en lugares húmedos. Si no se dispone de un tomacorriente protegido por un GFCI, utilice un tomacorriente portátil con protección GFCI incorporada. Pruebe el tomacorriente protegido por un GFCI de acuerdo con las instrucciones provistas por el fabricante del GFCI. Si el tomacorriente protegido por un GFCI no pasa la prueba de GFCI, no utilice ese tomacorriente. Enchufe la radio solamente en un tomacorriente protegido por un GFCI funcional.

Utilización de los tomacorrientes de 4 conectores de conveniencia

⚠ ADVERTENCIA La capacidad nominal de salida de los cuatro tomacorrientes de CA es de 10 A Máx. Para reducir el riesgo de descargas eléctricas o peligro de incendio, no sobrecargue los tomacorrientes de CA.

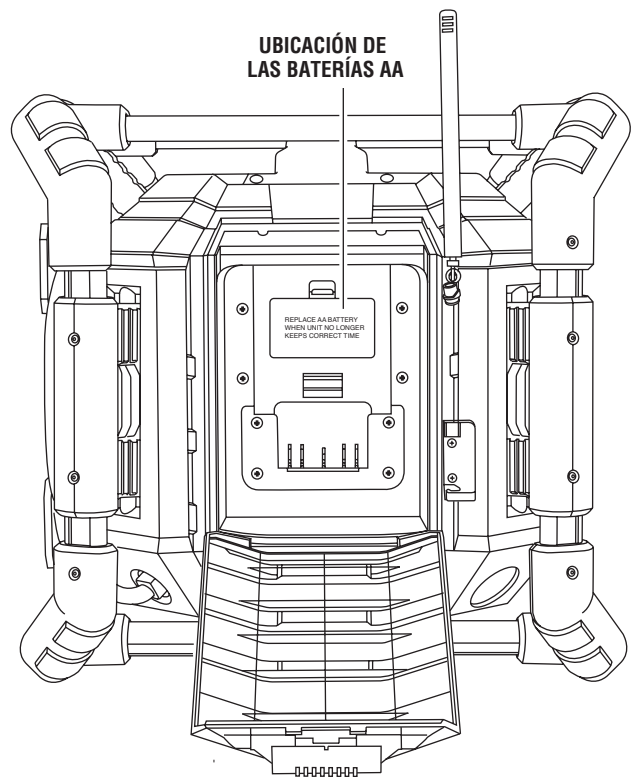
Con la unidad enchufada en la fuente de alimentación de CA, realice los siguientes pasos para utilizar los tomacorrientes de conveniencia:

1. Levante la cubierta protectora para dejar al descubierto los tomacorrientes de CA.
2. Enchufe en el tomacorriente el electrodoméstico o la herramienta mecánica de CA que se desee usar.
3. Una vez que haya terminado de usar los tomacorrientes de CA de la unidad, asegúrese de que las cubiertas protectoras se cierren adecuadamente.

⚠ ADVERTENCIA No use la unidad donde sea probable que le entre agua. Este dispositivo no protege contra el peligro de descargas eléctricas por causa de: 1. Defectos o fallas en el suministro eléctrico al interruptor. 2. Contacto personal con ambos conductores del circuito del interruptor.

Cambio de las baterías del reloj

1. Abra la puerta de la bahía de las baterías.
2. Quite la tapa de las baterías AA.
3. Saque las baterías viejas y deséchelas apropiadamente.
4. Introduzca las baterías AA nuevas. No use baterías nuevas con viejas, utilice únicamente baterías alcalinas nuevas.



Mantenimiento

Servicio

⚠ ADVERTENCIA NO HAY PIEZAS EN EL INTERIOR QUE PUEDAN SER AJUSTADAS O REPARADAS POR EL USUARIO. El mantenimiento preventivo realizado por personal no autorizado puede dar lugar a la colocación incorrecta de cables y componentes internos que podría constituir un peligro serio. Recomendamos que todo el servicio de las herramientas sea realizado en un Centro de servicio de fábrica Bosch o en una Estación de servicio Bosch autorizada. TECNICOS DE REPARACIONES: Desconecte la unidad de radio de la fuente de energía antes de hacerle servicio de revisión.

El servicio de revisión debe ser realizado únicamente por personal de reparaciones calificado. El servicio de revisión o mantenimiento realizado por personal no calificado puede causar un riesgo de lesiones.

Cuando haga servicio de revisión, utilice únicamente piezas de repuesto idénticas. Siga las instrucciones de la sección Mantenimiento de este manual. El uso de piezas no autorizadas o el no seguir las instrucciones de Mantenimiento puede crear un riesgo de descargas eléctricas o lesiones.

BATERÍAS

Esté alerta a los paquetes de baterías que estén aproximándose al final de su vida útil. Si observa una disminución del rendimiento de la radio o un tiempo de funcionamiento significativamente más corto entre cargas, entonces ha llegado el momento de cambiar el paquete de baterías. Si no se hace esto, el resultado puede ser que la radio funcione incorrectamente o que el cargador se dañe.

Limpieza

⚠ ADVERTENCIA Para evitar accidentes, desconecte siempre la unidad de radio de la fuente de energía antes de limpiarla.

LA UNIDAD PRINCIPAL

No introduzca nunca en la unidad un disco sucio ni rayado, ni deje que entre suciedad o arena en la unidad.

No lleve repentinamente la unidad de un área muy fría a un área templada. De lo contrario, se podría formar condensación de humedad en el lente óptico, lo cual impediría el funcionamiento correcto.

No deje la unidad expuesta a la luz solar directa durante períodos prolongados, ya que esto podría deformar o descolorar la carcasa y también podría causar un funcionamiento incorrecto.

Limpie la unidad con un paño suave. Quite la suciedad difícil usando un paño húmedo que se haya sumergido en agua jabonosa y luego seque la unidad con un paño.

Si piensa usar un paño de limpieza química, lea primero las instrucciones.

No use alcohol ni diluyentes de pintura.

⚠ PRECAUCION Ciertos agentes de limpieza y disolventes dañan las piezas de plástico. Algunos de estos son: gasolina, tetracloruro de carbono, disolventes de limpieza clorados, amoníaco y detergentes domésticos que contienen amoníaco.

Accesorios

⚠ ADVERTENCIA Si es necesario un cordón de extensión, se debe usar un cordón con conductores de tamaño adecuado que sea capaz de transportar la corriente necesaria para la herramienta. Esto evitará caídas de tensión excesivas, pérdida de potencia o recalentamiento. Las herramientas conectadas a tierra deben usar cordones de extensión de 3 hilos que tengan enchufes de 3 terminales y receptáculos para 3 terminales.

NOTA: Cuanto más pequeño es el número de calibre, más grueso es el cordón.

TAMAÑOS RECOMENDADOS DE CORDONES DE EXTENSION HERRAMIENTAS DE 120 V CORRIENTE ALTERNA

Capacidad nominal en amperes de la herramienta	Tamaño del cordón en A.W.G.				Tamaños del cable en mm ²			
	Longitud del cordón en pies				Longitud del cordón en metros			
	25	50	100	150	15	30	60	120
3-6	18	16	16	14	0.75	0.75	1.5	2.5
6-8	18	16	14	12	0.75	1.0	2.5	4.0
8-10	18	16	14	12	0.75	1.0	2.5	4.0
10-12	16	16	14	12	1.0	2.5	4.0	–
12-16	14	12	–	–	–	–	–	–

Guía de resolución de problemas

Problema	Punto de comprobación	Remedio
La unidad de audio no funciona.	<ol style="list-style-type: none"> 1. ¿Está conectado apropiadamente el cordón de energía? 2. ¿Está instalado o introducido apropiadamente el paquete de batería Bosch? 3. ¿Necesita carga la batería? 	<ol style="list-style-type: none"> 1. Enchufe el cordón de energía de CA. 2. Asegúrese de que la batería esté introducida completamente. 3. Cargue la batería con un cargador de baterías (vendido por separado).
La recepción de la radio es ruidosa o débil.	<ol style="list-style-type: none"> 1. ¿Hay alguna instalación que esté interfiriendo con la unidad? 2. ¿Hay alguna interferencia con la antena de FM interna? 	<ol style="list-style-type: none"> 1. Lleve la unidad a otra ubicación alejada de la interferencia. 2. Gire la unidad en distintas direcciones.
El tomacorriente de 4 conectores no funciona.	<ol style="list-style-type: none"> 1. ¿Está conectado apropiadamente el cordón de energía? 2. ¿Está iluminada la luz verde en los tomacorrientes? 	<ol style="list-style-type: none"> 1. Enchufe el cordón de energía de CA.
La unidad deja de funcionar repentinamente.	<ol style="list-style-type: none"> 1. ¿Esta conectado apropiadamente a la unidad el cordón de energía? 2. ¿Está la pantalla de LCD mostrando que está llegando energía a la unidad? 	<ol style="list-style-type: none"> 1. Enchufe el cordón de energía para suministrar alimentación a la unidad. 2. Es necesario reajustar el software de la unidad. Retire todas las baterías de la unidad y desenchufe el cable de alimentación de CA, espere 30 segundos y reconecte el cable de alimentación de CA. O presione el botón Volume/Clock durante más de 1 segundos y aparecerá RS. Gire el dial de Volume/Clock para seleccionar entre Sí y No. Confirme su selección presionando el botón Volume/Clock.

LIMITED WARRANTY OF BOSCH PORTABLE AND BENCHTOP POWER TOOLS

Robert Bosch Tool Corporation ("Seller") warrants to the original purchaser only, that all BOSCH portable and benchtop power tools will be free from defects in material or workmanship for a period of one year from date of purchase. SELLER'S SOLE OBLIGATION AND YOUR EXCLUSIVE REMEDY under this Limited Warranty and, to the extent permitted by law, any warranty or condition implied by law, shall be the repair or replacement of parts, without charge, which are defective in material or workmanship and which have not been misused, carelessly handled, or misrepaired by persons other than Seller or Authorized Service Station. To make a claim under this Limited Warranty, you must return the complete portable or benchtop power tool product, transportation prepaid, to any BOSCH Factory Service Center or Authorized Service Station. For Authorized BOSCH Power Tool Service Stations, please refer to your phone directory.

THIS LIMITED WARRANTY DOES NOT APPLY TO ACCESSORY ITEMS SUCH AS CIRCULAR SAW BLADES, DRILL BITS, ROUTER BITS, JIGSAW BLADES, SANDING BELTS, GRINDING WHEELS AND OTHER RELATED ITEMS.

ANY IMPLIED WARRANTIES SHALL BE LIMITED IN DURATION TO ONE YEAR FROM DATE OF PURCHASE. SOME STATES IN THE U.S., SOME CANADIAN PROVINCES DO NOT ALLOW LIMITATIONS ON HOW LONG AN IMPLIED WARRANTY LASTS, SO THE ABOVE LIMITATION MAY NOT APPLY TO YOU.

IN NO EVENT SHALL SELLER BE LIABLE FOR ANY INCIDENTAL OR CONSEQUENTIAL DAMAGES (INCLUDING BUT NOT LIMITED TO LIABILITY FOR LOSS OF PROFITS) ARISING FROM THE SALE OR USE OF THIS PRODUCT. SOME STATES IN THE U.S. AND SOME CANADIAN PROVINCES DO NOT ALLOW THE EXCLUSION OR LIMITATION OF INCIDENTAL OR CONSEQUENTIAL DAMAGES, SO THE ABOVE LIMITATION OR EXCLUSION MAY NOT APPLY TO YOU.

THIS LIMITED WARRANTY GIVES YOU SPECIFIC LEGAL RIGHTS, AND YOU MAY ALSO HAVE OTHER RIGHTS WHICH VARY FROM STATE TO STATE IN THE U.S., PROVINCE TO PROVINCE IN CANADA AND FROM COUNTRY TO COUNTRY.

THIS LIMITED WARRANTY APPLIES ONLY TO PORTABLE AND BENCHTOP ELECTRIC TOOLS SOLD WITHIN THE UNITED STATES OF AMERICA, CANADA AND THE COMMONWEALTH OF PUERTO RICO. FOR WARRANTY COVERAGE WITHIN OTHER COUNTRIES, CONTACT YOUR LOCAL BOSCH DEALER OR IMPORTER.

GARANTIE LIMITÉE DES OUTILS ÉLECTRIQUES PORTATIFS ET D'ÉTABLI BOSCH

Robert Bosch Tool Corporation (le « vendeur ») garantit à l'acheteur initial seulement que tous les outils électriques portatifs et d'établi BOSCH seront exempts de vices de matériaux ou d'exécution pendant une période d'un an depuis la date d'achat. LA SEULE OBLIGATION DU VENDEUR ET LE SEUL RECOURS DE L'ACHETEUR sous la présente garantie limitée, et en autant que la loi le permette sous toute garantie ou condition implicite qui en découlerait, sera l'obligation de remplacer ou réparer gratuitement les pièces défectueuses matériellement ou comme fabrication, pourvu que lesdites défectuosités ne soient pas attribuables à un usage abusif ou à quelque réparation bricolée par quelqu'un d'autre que le vendeur ou le personnel d'une station-service agréée. Pour présenter une réclamation en vertu de cette garantie limitée, vous devez renvoyer l'outil électrique portatif ou d'établi complet, port payé, à tout centre de service agréé ou centre de service usine BOSCH. Veuillez consulter votre annuaire téléphonique pour les adresses.

LA PRÉSENTE GARANTIE NE S'APPLIQUE PAS AUX ACCESSOIRES TELS QUE LAMES DE SCIES CIRCULAIRES, MÈCHES DE PERCEUSES, FERS DE TOUPIES, LAMES DE SCIES SAUTEUSES, COURROIES DE PONÇAGE, MEULES ET AUTRES ARTICLES DU GENRE.

TOUTE GARANTIE IMPLICITE SERA LIMITÉE COMME DURÉE À UN AN À COMPTER DE LA DATE D'ACHAT. CERTAINS ÉTATS AMÉRICAINS, CERTAINES PROVINCES CANADIENNES N'ADMETTANT PAS LE PRINCIPE DE LA LIMITATION DE LA DURÉE DES GARANTIES IMPLICITES, IL EST POSSIBLE QUE LES LIMITATIONS CI-DESSUS NE S'APPLIQUENT PAS À VOTRE CAS.

EN AUCUN CAS LE VENDEUR NE SAURAIT ÊTRE TENU POUR RESPONSABLE DES INCIDENTS OU DOMMAGES INDIRECTS (INCLUANT, MAIS NE SE LIMITANT PAS AUX PERTES DE PROFITS) CONSÉQUENTS À LA VENTE OU L'USAGE DE CE PRODUIT. CERTAINS ÉTATS AMÉRICAINS ET CERTAINES PROVINCES CANADIENNES N'ADMETTANT PAS LE PRINCIPE DE LA LIMITATION NI L'EXCLUSION DES DOMMAGES INDIRECTS ET CONSÉQUENTS, IL EST POSSIBLE QUE LES LIMITATIONS OU EXCLUSIONS CI-DESSUS NE S'APPLIQUENT PAS À VOTRE CAS.

LA PRÉSENTE GARANTIE VOUS ACCORDE DES DROITS BIEN DÉTERMINÉS, Y COMPRIS POSSIBLEMENT CERTAINS DROITS VARIABLES DANS LES DIFFÉRENTS ÉTATS AMÉRICAINS, PROVINCES CANADIENNES ET DE PAYS À PAYS.

CETTE GARANTIE LIMITÉE NE S'APPLIQUE QU'AUX OUTILS ÉLECTRIQUES PORTATIFS ET D'ÉTABLI VENDUS AUX ÉTATS-UNIS D'AMÉRIQUE, AU CANADA ET AU COMMONWEALTH DE PORTO RICO. POUR COUVERTURE DE GARANTIE DANS LES AUTRES PAYS, CONTACTEZ VOTRE IMPORTATEUR OU REVENDEUR BOSCH LOCAL.

GARANTIA LIMITADA PARA HERRAMIENTAS MECANICAS PORTATILES Y PARA TABLERO DE BANCO BOSCH

Robert Bosch Tool Corporation ("el Vendedor") garantiza, únicamente al comprador original, que todas las herramientas mecánicas portátiles y para tablero de banco BOSCH estarán libres de defectos de material o de fabricación durante un período de un año a partir de la fecha de compra. LA UNICA OBLIGACION DEL VENDEDOR Y EL RECURSO EXCLUSIVO QUE USTED TIENE bajo esta Garantía Limitada y, hasta donde la ley lo permita, bajo cualquier garantía o condición implícita por ley, consistirá en la reparación o sustitución sin costo de las piezas que presenten defectos de material o de fabricación y que no hayan sido utilizadas incorrectamente, manejadas descuidadamente o reparadas incorrectamente por personas que no sean el Vendedor o una Estación de servicio autorizada. Para efectuar una reclamación bajo esta Garantía Limitada, usted debe devolver el producto, que consiste en la herramienta mecánica portátil o para tablero de banco completa, con el transporte pagado, a cualquier Centro de servicio de fábrica o Estación de servicio autorizada BOSCH. Para Estaciones de servicio autorizadas de herramientas mecánicas BOSCH, por favor, consulte el directorio telefónico.

ESTA GARANTIA LIMITADA NO SE APLICA A ARTICULOS ACCESORIOS TALES COMO HOJAS PARA SIERRAS CIRCULARES, BROCAS PARA TALADROS, BROCAS PARA FRESADORAS, HOJAS PARA SIERRAS DE VAIVEN, CORREAS PARA LIJAR, RUEDAS DE AMOLAR Y OTROS ARTICULOS RELACIONADOS.

TODAS LAS GARANTIAS IMPLICITAS TENDRAN UNA DURACION LIMITADA A UN AÑO A PARTIR DE LA FECHA DE COMPRA. ALGUNOS ESTADOS DE LOS EE.UU., ALGUNAS PROVINCIAS CANADIENSES NO PERMITEN LIMITACIONES EN CUANTO A LA DURACION DE UNA GARANTIA IMPLICITA, POR LO QUE ES POSIBLE QUE LA LIMITACION ANTERIOR NO SEA APLICABLE EN EL CASO DE USTED.

EL VENDEDOR NO SERA RESPONSABLE EN NINGUN CASO DE NINGUN DAÑO INCIDENTAL O EMERGENTE (INCLUYENDO PERO NO LIMITADO A RESPONSABILIDAD POR PERDIDA DE BENEFICIOS) QUE SE PRODUZCA COMO CONSECUENCIA DE LA VENTA O UTILIZACION DE ESTE PRODUCTO. ALGUNOS ESTADOS DE LOS EE.UU. Y ALGUNAS PROVINCIAS CANADIENSES NO PERMITEN LA EXCLUSION O LIMITACION DE LOS DAÑOS INCIDENTALES O EMERGENTES, POR LO QUE ES POSIBLE QUE LA LIMITACION O EXCLUSION ANTERIOR NO SEA APLICABLE EN EL CASO DE USTED.

ESTA GARANTIA LIMITADA LE CONFIERE A USTED DERECHOS LEGALES ESPECIFICOS Y ES POSIBLE QUE USTED TAMBIEN TENGA OTROS DERECHOS QUE VARIAN DE ESTADO A ESTADO EN LOS EE.UU., DE PROVINCIA A PROVINCIA EN CANADA Y DE UN PAIS A OTRO.

ESTA GARANTIA LIMITADA SE APLICA SOLAMENTE A HERRAMIENTAS ELECTRICAS PORTATILES Y PARA TABLERO DE BANCO VENDIDAS EN LOS ESTADOS UNIDOS DE AMERICA, CANADA Y EL ESTADO LIBRE ASOCIADO DE PUERTO RICO. PARA COBERTURA DE GARANTIA EN OTROS PAISES, PONGASE EN CONTACTO CON SU DISTRIBUIDOR O IMPORTADOR LOCAL DE BOSCH.

© Robert Bosch Tool Corporation 1800 W. Central Road Mt. Prospect, IL 60056-2230

Exportado por: Robert Bosch Tool Corporation Mt. Prospect, IL 60056 -2230, E.U.A.

Importado en México por: Robert Bosch, S.A. de C.V., Calle Robert Bosch No. 405, Zona Industrial,

Toluca, Edo. de México, C.P. 50070, Tel. (722) 2792300



2 6 1 0 0 5 6 7 5 5