

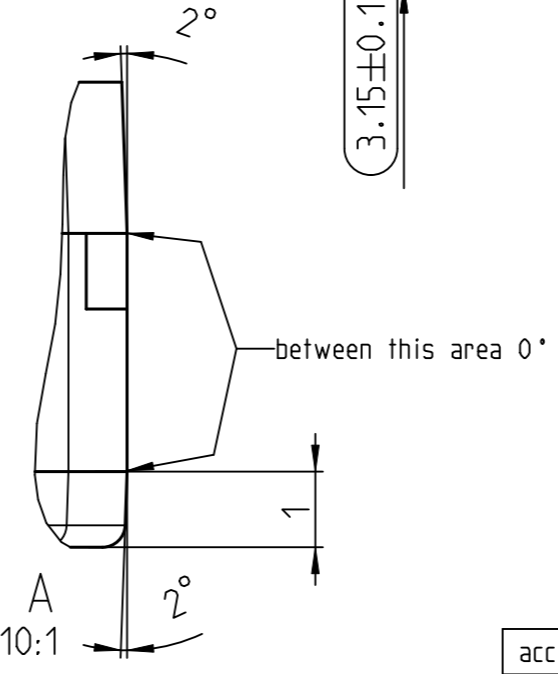
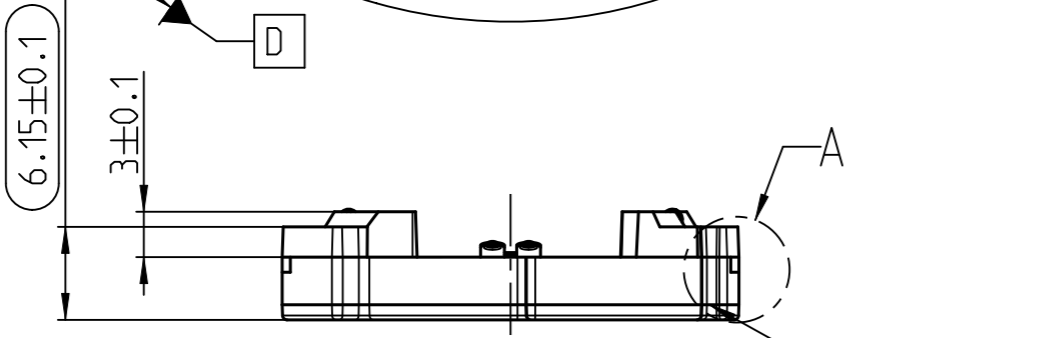
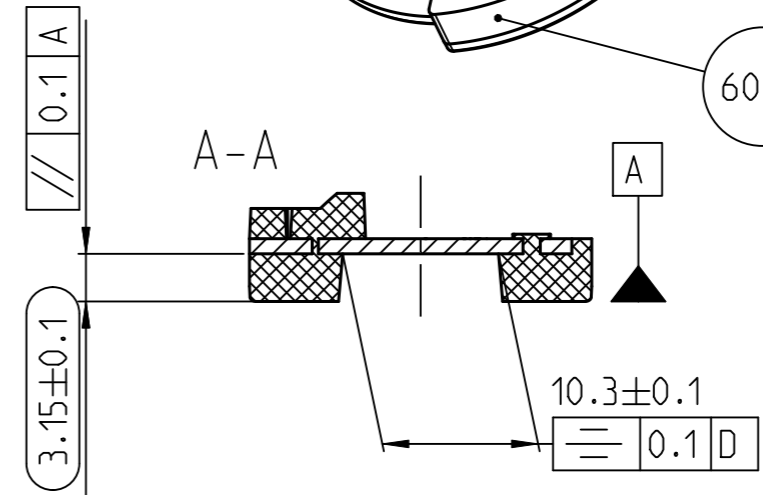
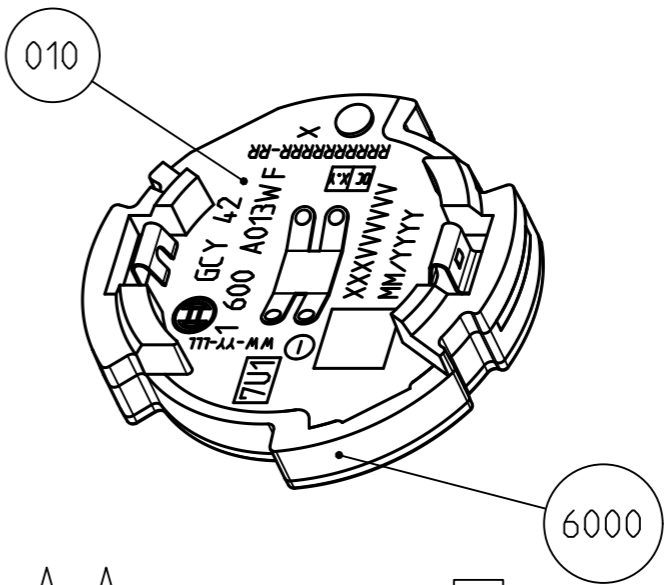
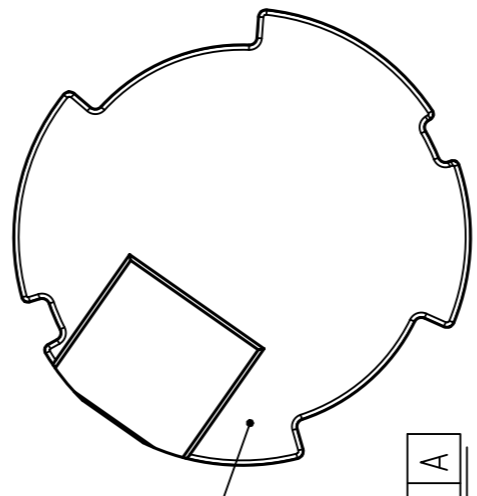
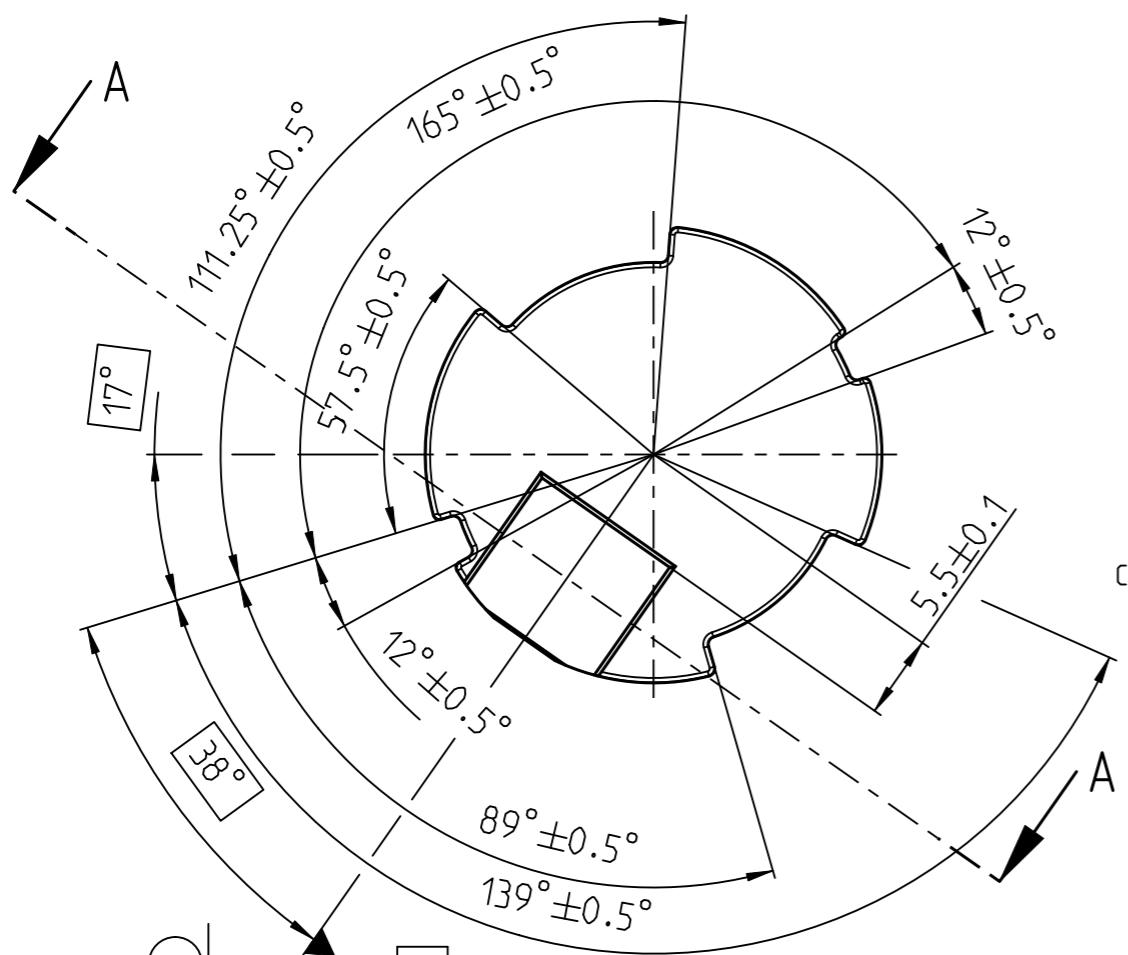
© Robert Bosch Power Tools GmbH. Alle Rechte vorbehalten, auch bzgl. jeder Verfertigung, Verwendung, Reproduktion, Bearbeitung, Weitergabe sowie für den Fall von Schutzrechtsmeldungen.

© Robert Bosch Power Tools GmbH. All rights reserved, also regarding any disposal, exploitation, reproduction, editing, distribution, as well as in the event of applications for industrial property rights.



ATTENTION
OBSERVE PRECAUTIONS
FOR HANDLING
ELECTROSTATIC
SENSITIVE
DEVICES

ESD save for Voltages
below 2KV (HBM)



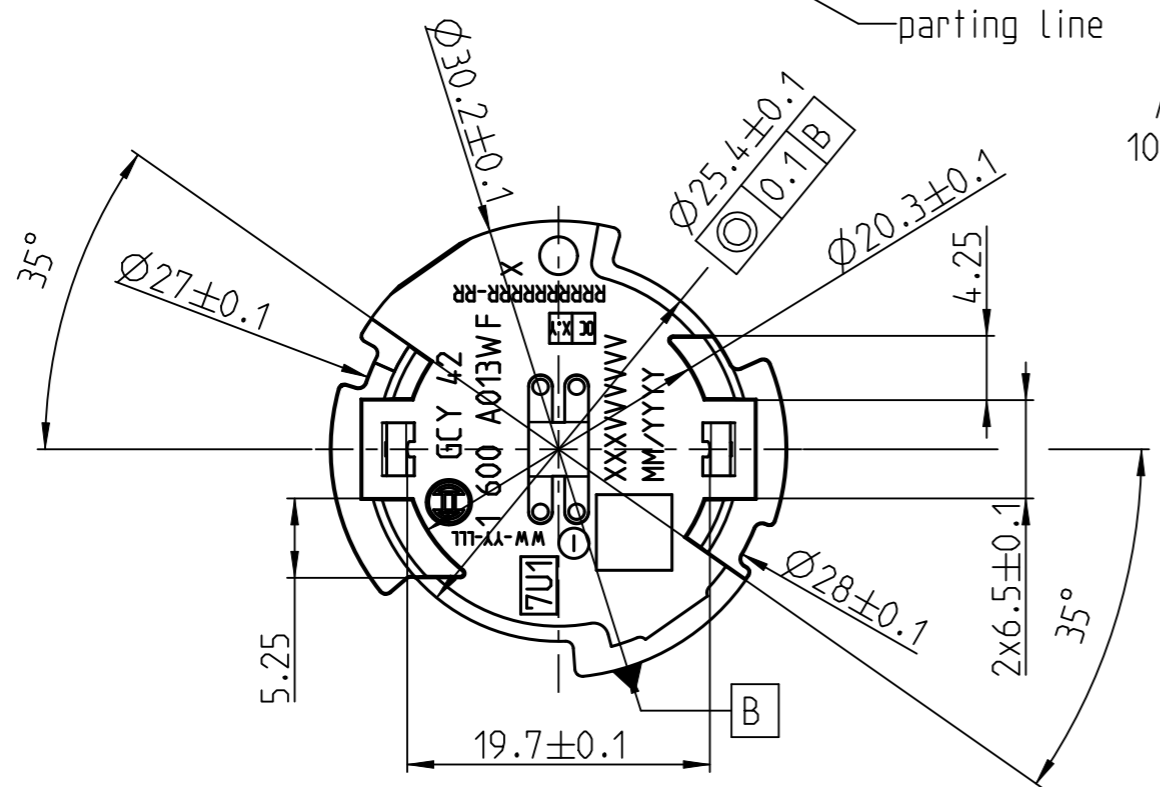
missing dimensioned
according to 3D data
acc. general tolerances

Volume of the Thermoplastic
Adhesive : ~2cm³

unmach./unbearb.	general tolerances acc. to/ Allgemeintoleranzen nach	tolerance group/ Toleranzgruppe
	DIN 16742:2013-10	TG 5
unmach./unbearb.	standard atmosphere/Normklima	
	Tolerancing ISO 8015 (AD) — DIN EN ISO 291:2008-08	
surface texture according to/ Oberflächenbeschaffenheit nach		
ISO 1302:2002-02		
all linear dimensions in/ Alle Längenmasse in		mm
tol. principle/ Tot.-grundsatz		DIN 7167:1987-01

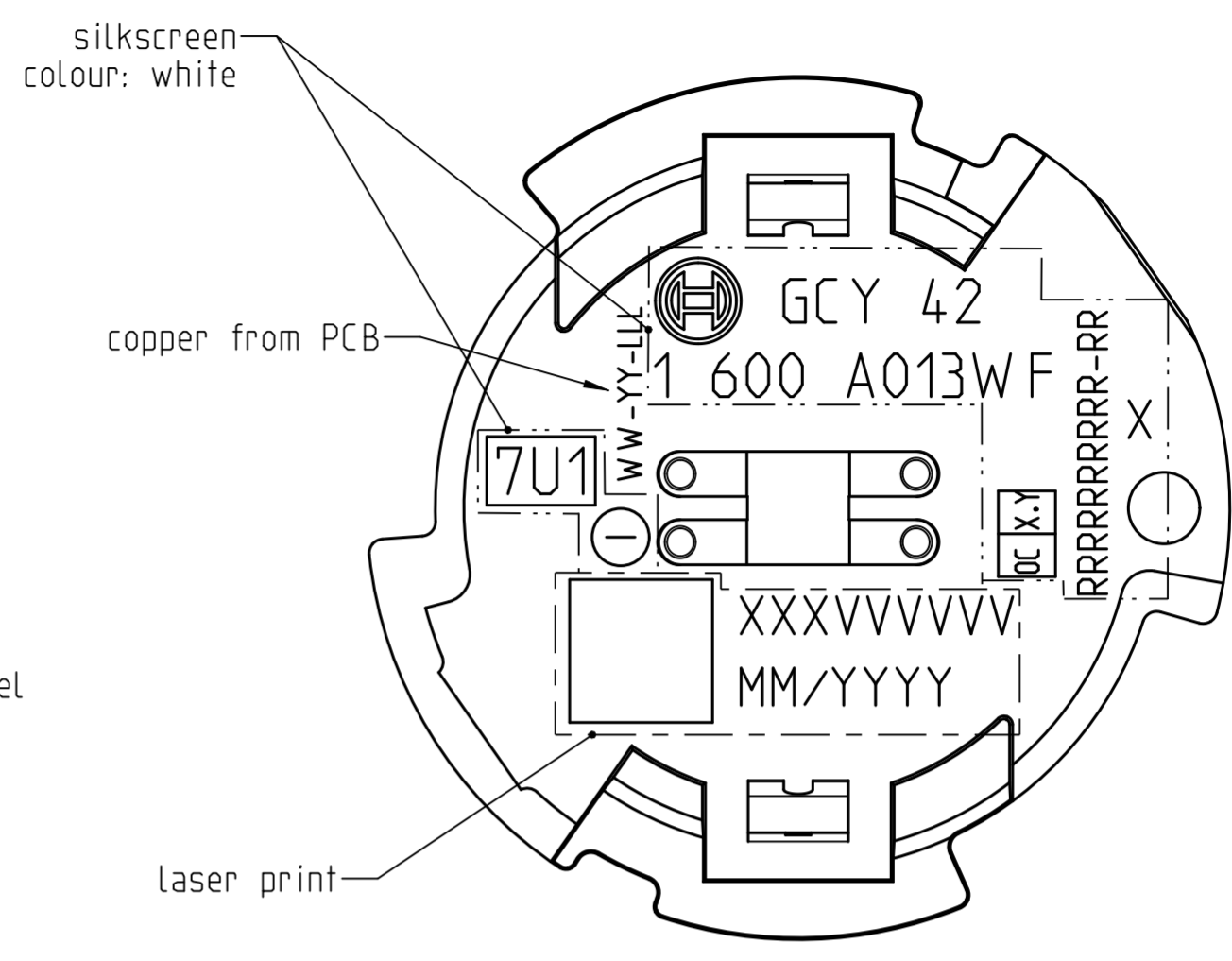
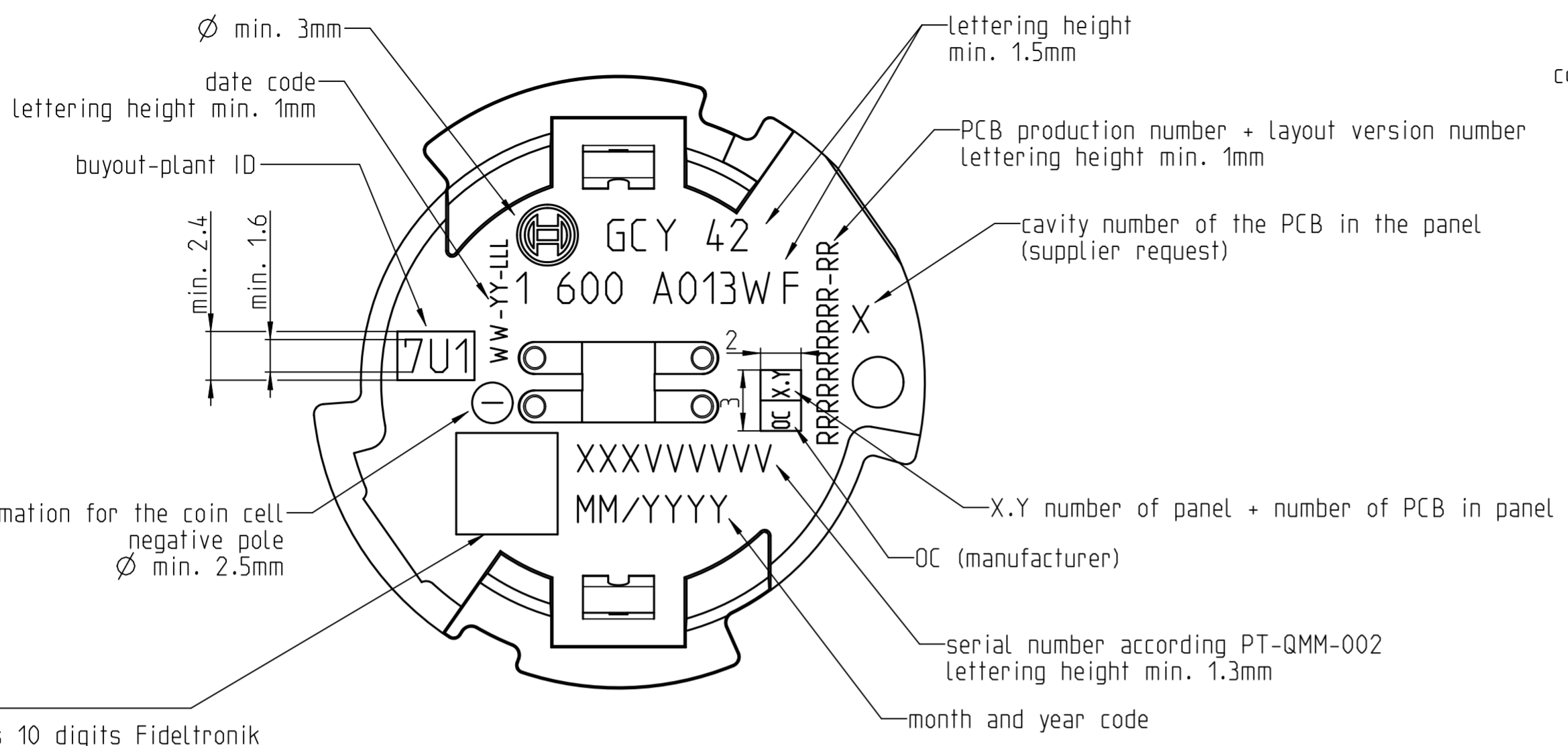
acc. VQS/PQA agreement with supplier

<input type="checkbox"/> S	<input checked="" type="checkbox"/> *S	Safety Relevant Characteristic
<input type="checkbox"/> L	<input checked="" type="checkbox"/> *L	Legal Relevant Characteristic
<input type="checkbox"/> F	<input checked="" type="checkbox"/> *F	Functional Relevant Characteristic

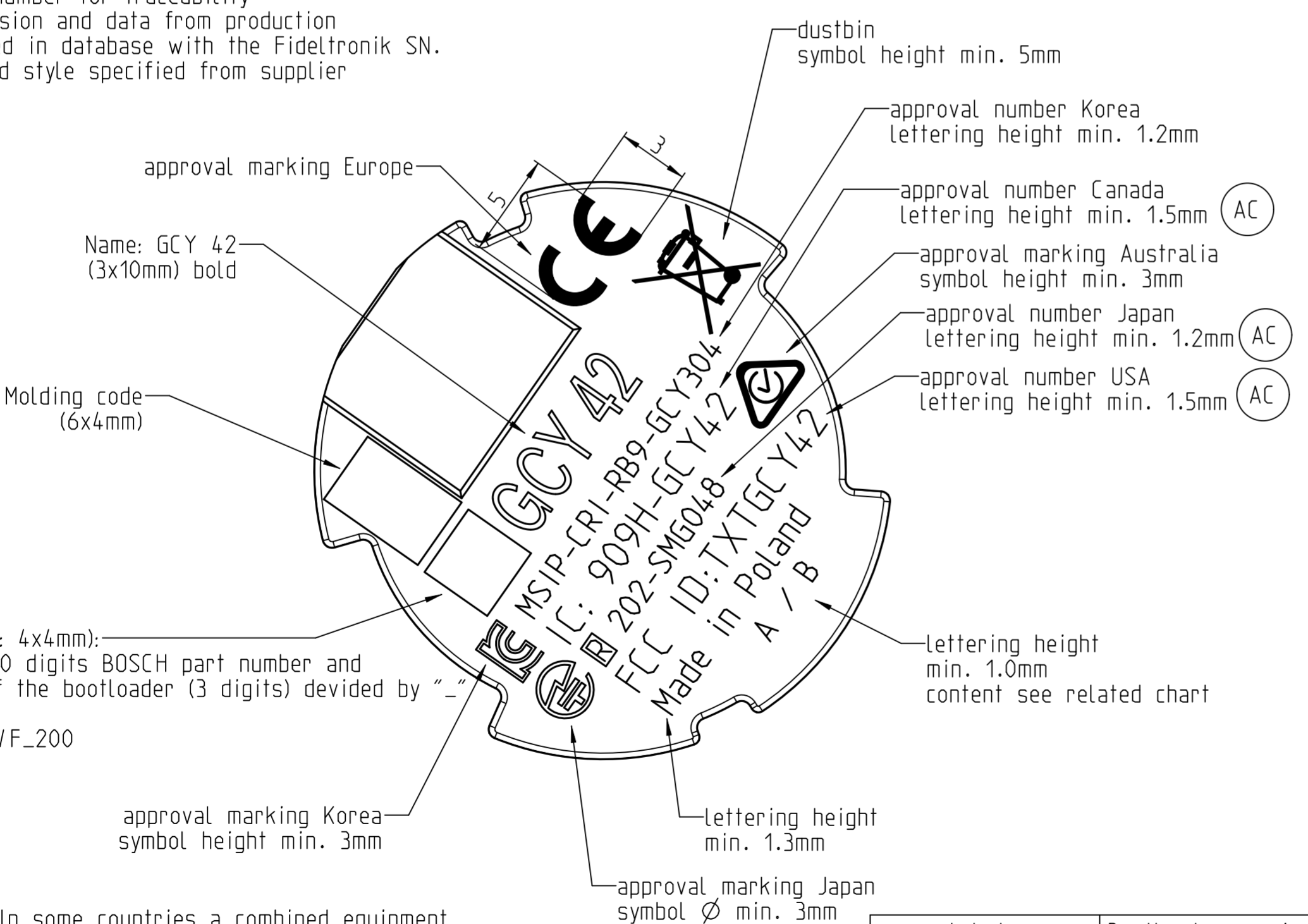


AC	20180711						set2le			082	PT-BI/PXS1	
AB	6035A068M5	20180706					set2le	MUM1LE	MUM1LE	082	PT-BI/PXS1	
AA	6035A0660Y	20180417					set2le	gkm2le	gkm2le	082	PT-BI/EST3	
Ind. Change/Aend.		YYYYMMDD	Drawn/Gez.	Checked/Gepr.	Releas./Freig.	BWN	Resp. dept./Verantw. Abt.	Add. info./Zus. Info.				
Treatment/ Behandlung		---							Missed details/Fehlende Angaben		Size/Gst.	---
Mat./Stoff		---							From/Aus		---	
Lang./Spr. en/de	Wght./Gew. ---		BOSCH		ELECTRONIC MODULE ELEKTRONIK-MODUL			Sheet/Bl. 1/2				
	Crit. P. R	Scale/M.stab 2:1	Mat.meets/Stoffe s N2580-1		Syst. PE	Doc.type DRW		1 600 A01 3WF		DP/TD ---	Ind. AC	Format A3
MNR 1 600 A01 3WF						Repl. for				Repl. by		

© Robert Bosch Power Tools GmbH. Alle Rechte vorbehalten, auch bzgl. jeder Verfertigung, Verwendung, Reproduktion, Bearbeitung, Weitergabe sowie für den Fall von Schutzrechtsmeldungen.
 © Robert Bosch Power Tools GmbH. All rights reserved, also regarding any disposal, exploitation, reproduction, editing, distribution, as well as in the event of applications for industrial property rights.



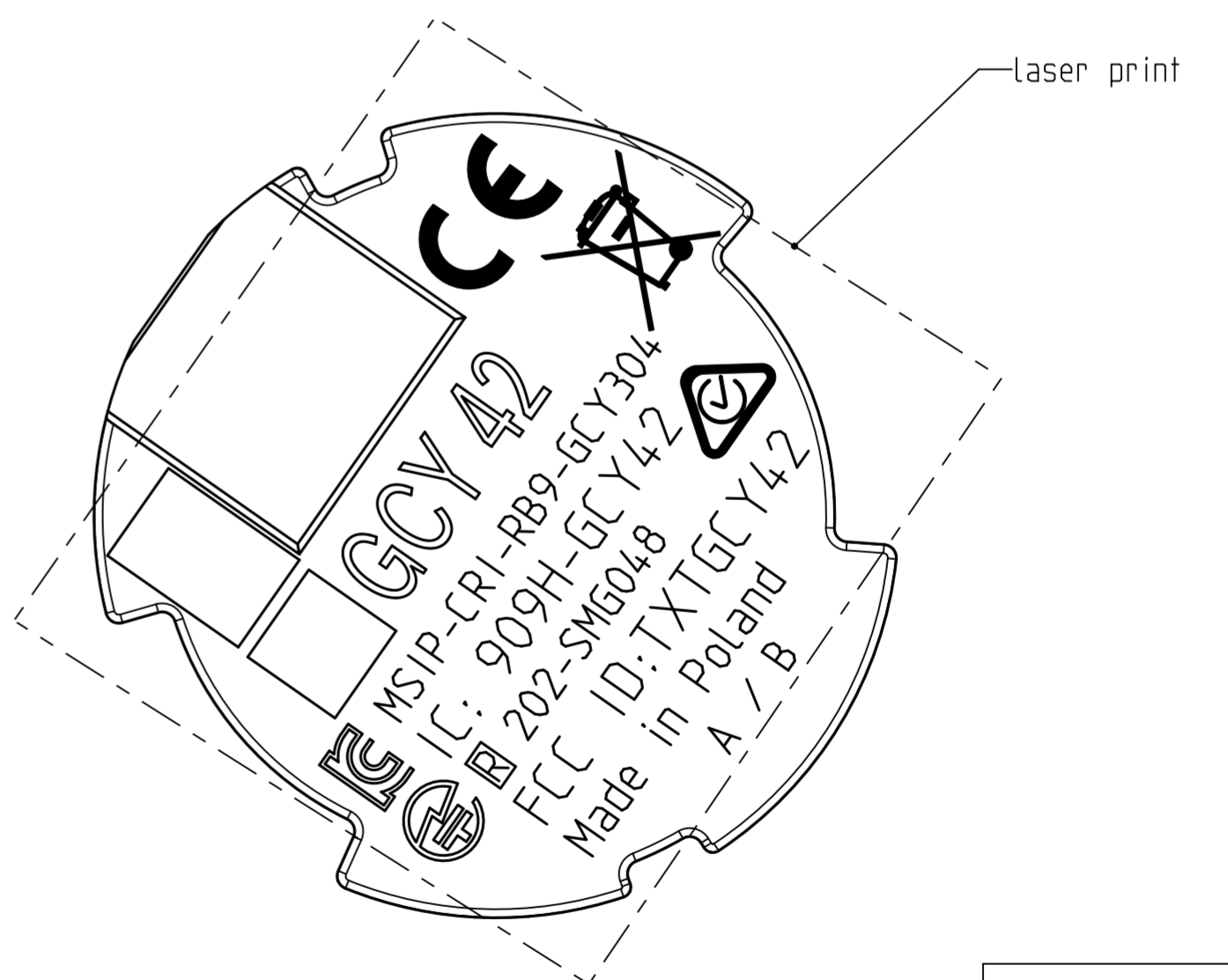
DMC:
 includes 10 digits Fideltronik serial number for traceability
 SW version and data from production is linked in database with the Fideltronik SN.
 Size and style specified from supplier



DMC (Size: 4x4mm):
 includes 10 digits BOSCH part number and version of the bootloader (3 digits) divided by "-"
 i.e.: 1600A013WF_200

Notice: In some countries a combined equipment consideration (radio part + tool) may be required.

see related software part list	Bootloader version identification number	B
see related list of components	Hardware version identification number	A



3x AC	AC 20180711		set2le			082	PT-BI/PXS1		
	AB 6035A068M5	20180706	set2le	MUM1LE	MUM1LE	082	PT-BI/PXS1		
	AA 6035A0660Y	20180417	set2le	gkm2le	gkm2le	082	PT-BI/EST3		
	Ind./Change/Aend.	YYYYMMDD	Drawn/Gez.	Checked/Gepr.	Releas./Freig.	BWN	Resp. dept./Verantw. Abt.	Add. info./Zus. Info.	
	Treatment/Behandlung						Missed details/Fehlende Angaben		Size/Gst. ---
	Mat./Stoff						From/Aus ---		
	Lang./Spr. en/de	Wght./Gew. ---						Sheet/Bl. 2/2	
	Crit. P. R	Scale/M.stab 4:1						Format A2	
	MNR 1 600 A01 3WF		Mat.meets/Stoffe s/Syst. N2580-1		PE	Repl. for		Repl. by	