

PIR Motion Detection Sensor

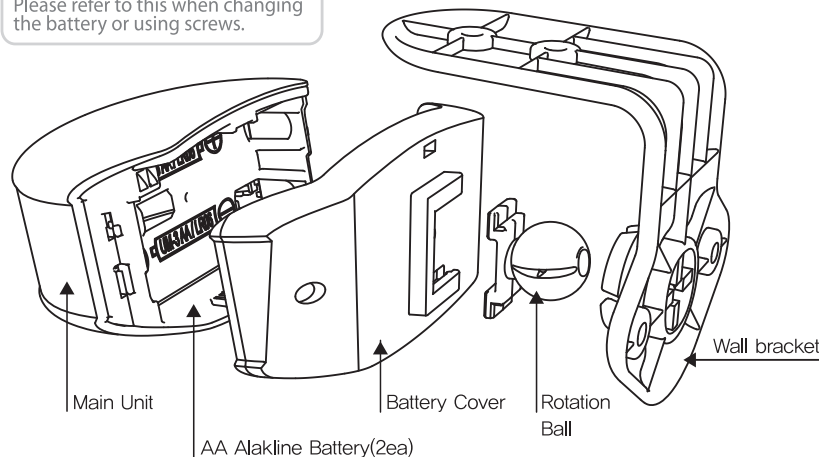
Document Number : Rev. 1.0

Introduction

- PIR Motion Detection Sensor detects movement of people or object and sends the status to Ethernet Gateway using RF(Radio Frequency) signal.
- The sensor is designed to use indoor location.
- Battery lifetime is approximately 5 years with 2 x AA sized alkaline batteries.
- The sensor can be installed on wall or ceiling using enclosed screws.
- Radio Frequency communication range is max. 400meters. (Approx. 1,300ft)

Package Contents

Please refer to this when changing the battery or using screws.



• Package Contents



Specifications

Dimensions	L= 70mm, W= 57,5mm, H= 40mm
Power source	AA Alkaline Battery(2ea)
Battery Lifetime	Approx. 5 years at 25°C (77°F)
Operating Temperature	0°C ~ 50°C, Indoor use
Storage Temperature	-10°C ~ 60°C
Relative Humidity	up to 95% non-condensing

RF Performance Requirements

- Protocols : Zigbee Green power
- Supported channels : IEEE802.15.4 CH11 to CH26

(This product is working with ethernet gateway.)

WARNING DO NOT INGEST BATTERY. CHEMICAL BURN HAZARD

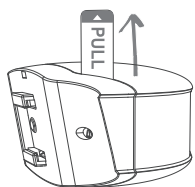
[The sensor supplied with] This product contains a coin/button cell battery. If the coin/button cell battery is swallowed, it can cause severe internal burns in just 2 hours and can lead to death. Keep new and used batteries away from children. If the battery compartment does not close securely, stop using the product and keep it away from children. If you think batteries might have been swallowed or placed inside any part of the body, seek immediate medical attention.

Pairing Guide

The PIR motion detection sensor can be paired using either mobile application or Ethernet gateway. User can choose any of them at their convenience.

Pairing A (APP Guide)

- 1 Start sensor registration wizard on application and follow steps.



- Run application
- Menu icon (☰)
- Devices
- Add icon (+)
- motion sensor
- start

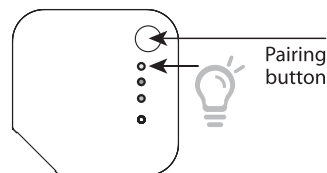
- 2 Remove battery cover and remove battery tab of PIR motion detection sensor. The sensor will trigger pairing mode automatically.

Note : Red LED blinks while the sensor is on pairing mode (max, 40seconds,)

- 3 Once red LED is turned off, please check application to see if the sensor is registered.

User can change device name after registration of device from the mobile application menu.

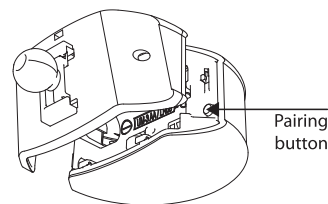
Pairing B (Gateway Guide)



- 1 Press pairing button on gateway.
- 2 Gateway will trigger pairing mode automatically. Orange LED blinks while the gateway is on pairing mode.
- 3 Remove battery cover and battery tab on PIR motion detection sensor to trigger pairing mode. Note : Red LED blinks while the sensor is on pairing mode (max, 40seconds,)
- 4 Once the LEDs on each device are turned off, check application to see if the sensor is registered.

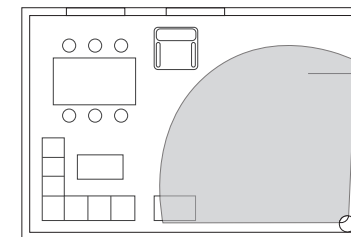
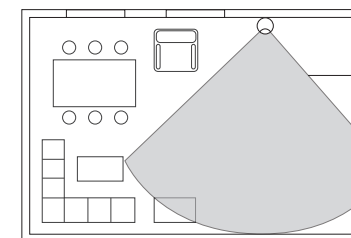
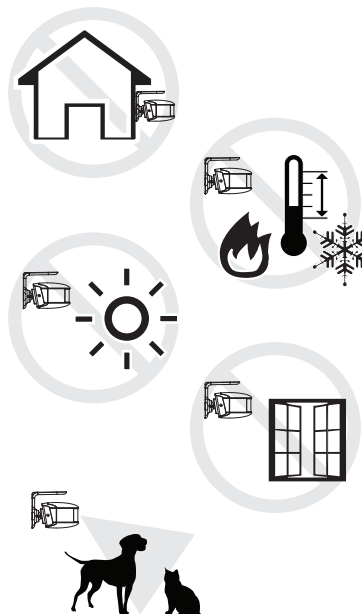
Pairing failure

The pairing is failed if the LEDs on device still blinks over 40 seconds or PIR motion sensor is not registered on mobile application within 40 seconds. Please retry pairing with following instruction if failed.



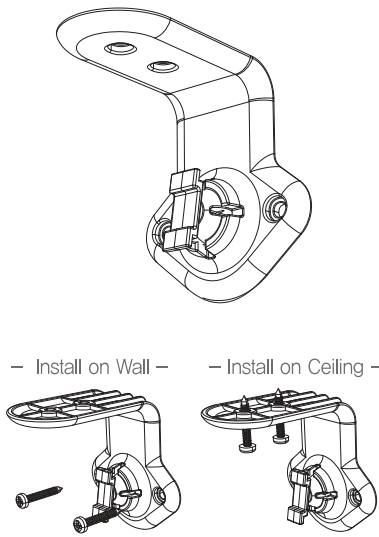
- 1,2 Same as step 1 & 2 on pairing A, B
- 3 If battery tab is already removed, press pairing button on PIR motion detection sensor to trigger pairing mode on the sensor. (Red LED blinks while the sensor is on pairing mode)
- 4 Once red LED is turned off, please check application to see if the sensor is registered.

Installation Tips

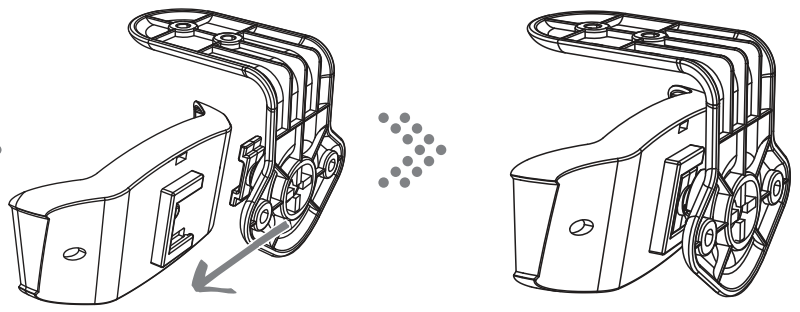


Install on Wall/Ceiling

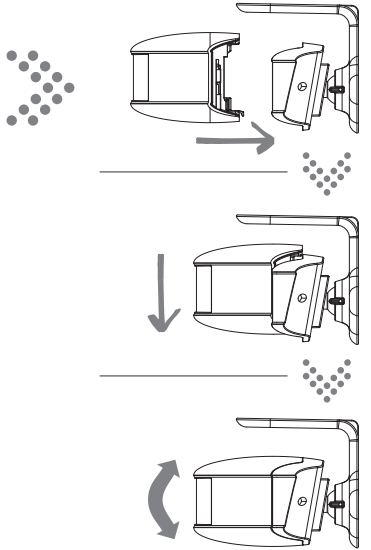
· Improper installation may cause incorrect operation of product.



1 Install of Bracket

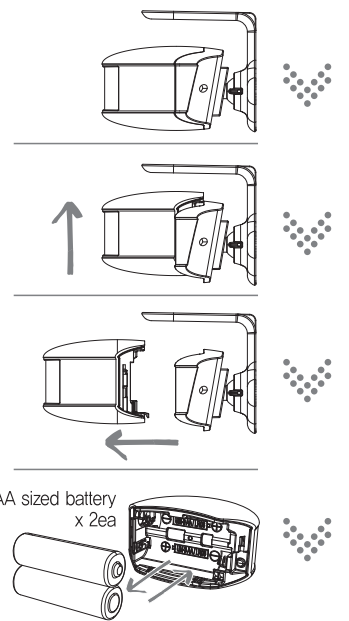


2 Install of battery cover

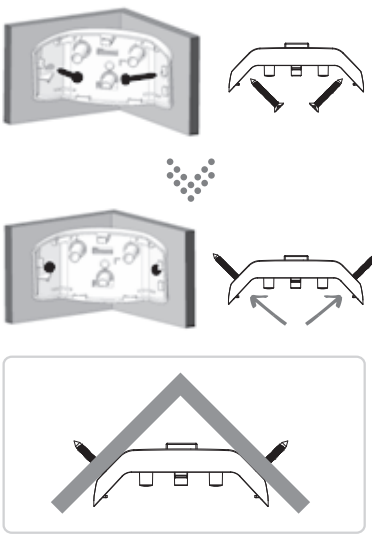


3 Install of Sensor

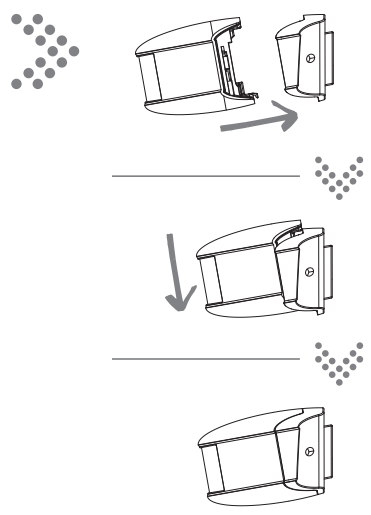
Replacement of battery



Install on Corner

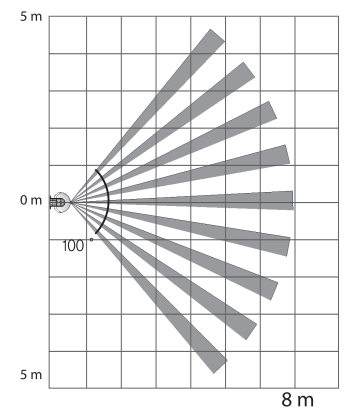
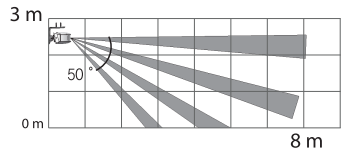


1 Install of battery cover

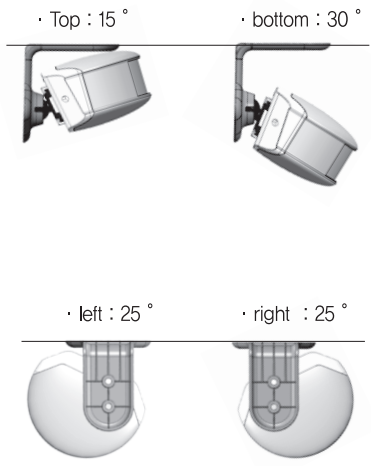


2 Install of Sensor

Motion Detection Range



Adjustable Angle



FCC Compliance Statement

This equipment has been tested and found to comply with the limits for a Class B digital device, pursuant to part 15 of the FCC rules. These limits are designed to provide reasonable protection against harmful interference in a residential installation. This equipment generates, uses, and can radiate radio frequency energy and, if not used in accordance with the instructions, may cause harmful interference to radio communications.

There is no guarantee that interference will not occur in a particular installation. If this equipment does cause harmful interference to radio or television reception, the user is encouraged to try to correct the interference by one or more of the following measures:

- Reorient or relocate the receiving antenna.
- Increase or decrease the separation between the equipment and receiver.
- Connect the equipment into an outlet on a circuit different from that which the receiver is connected.
- Consult the dealer or an experienced remote control/TV technician for help.
- It is strongly recommended that the TV be plugged into a separate wall outlet.

The user is cautioned that changes and modifications made to the equipment without the approval of the manufacturer could void the user's authority to operate this equipment.

This device complies with part 15 of the FCC rules. Operation is subject to the following two conditions: (1) This device may not cause harmful interference, and (2) this device must accept any interference received, including interference that may cause undesired operation.

"CAUTION": Exposure to Radio Frequency Radiation. Antenna shall be mounted in such a manner to minimize the potential for human contact to minimize the potential for human contact during normal operation. The antenna should not be contacted during operation to avoid the possibility of exceeding the FCC radio frequency exposure limit.

"CAUTION": Exposure to Radio Frequency Radiation. This equipment complies with FCC radiation exposure limits set forth for an uncontrolled environment. This equipment must be installed and operated with minimum distance of 20cm between the radiator and your body. This transmitter module is authorized only for use in device where the antenna may be installed such that 20 cm may be maintained between the antenna and users.