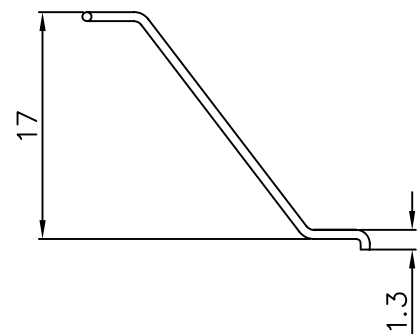
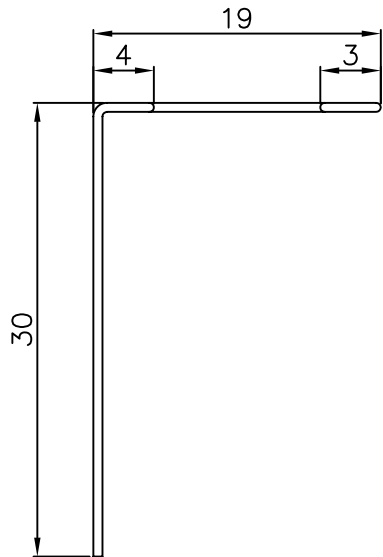


REV	LIST OF MODIFICATION	REASON OF MODIFICATION	DATE	NAME	APPR



NOTE

1.재질: SUS ϕ 0.6

GENERAL TOLERANCE		1WARH55K		Diopole Antena					
DIMENSION	TOLERANCE	NO	PART CODE	PART NAME	Q'ty	METERIAL	REMARKS		
0~30	± 0.05	 THIRD ANGLE PROJECT	 SCALE 1/1	 UNIT mm	DRAWN 2007/ /	MODEL	RH55K		
30~60	± 0.10				CHECKED 2007/ /	ITEM	중계기 Antenna		
60~120	± 0.15				CHECKED 2007/ /	DRAWING NO.	0000-0000		
120~200	± 0.20				CHECKED 2007/ /	REVISION NO.	REV 00 (2005.00.00)		
200~400	± 0.20				CHECKED 2007/ /				
400~1100	± 0.3								
PRESS BENDING ANGLE	RECTANGULAR OTHERS $\neq 10$								

2.4GHz

Beam Peak= -4.26 dBi, -111.00 deg

