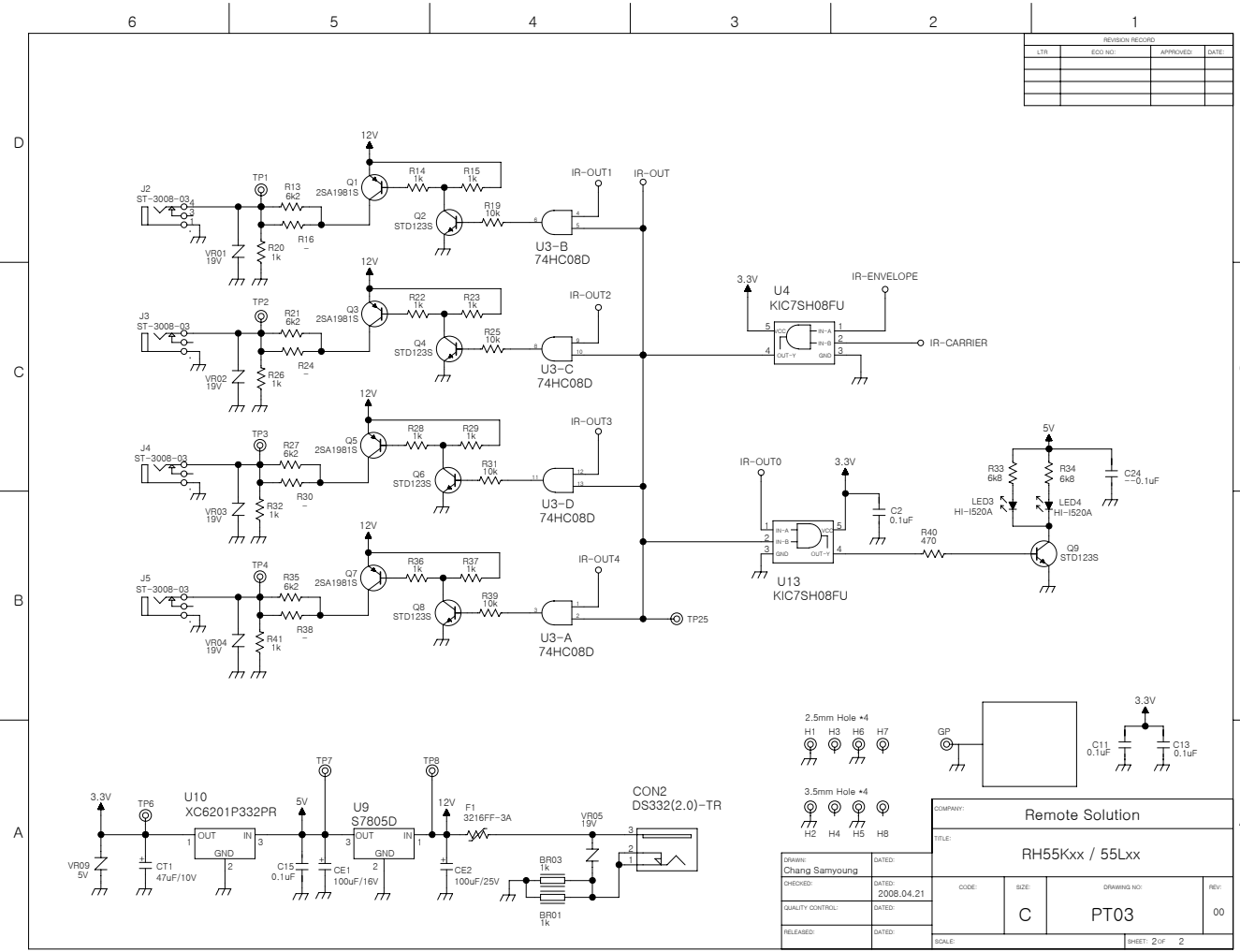


REVISION RECORD			
LT#	ECO NO.	APPROVED	DATE

COMPANY: RemoteSolution	
MODEL NAME: RH55Kxx / 55Lxx	
DRAWN: Chang,Samyoung	DATE: 08.04.21
CHECKED:	DATE:
QUALITY CONTROL:	DATE:
RELEASED:	DATE:
CODE:	SIZE:
DRAWING NO: PT-03	
REV: 00	SCALE:
SHEET: 1 OF 2	



REVISION RECORD			
LTR	EDD NO.	APPROVED	DATE

2.5mm Hole *4
 H1 H3 H6 H7
 H2 H4 H5 H8

3.5mm Hole *4
 H1 H3 H6 H7
 H2 H4 H5 H8

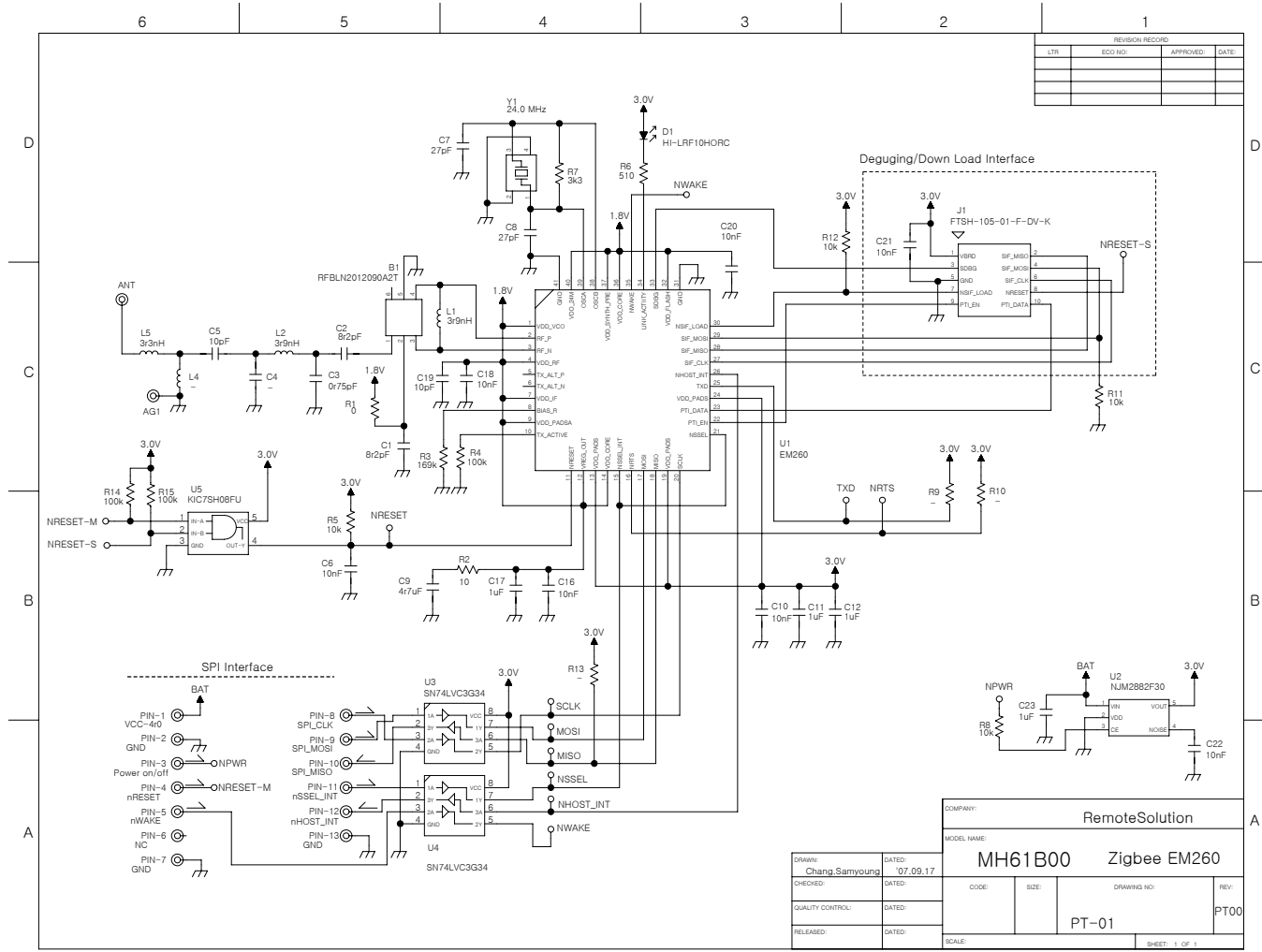
GP

C11 0.1uF
 C13 0.1uF

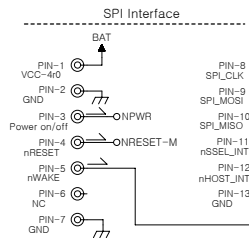
COMPANY: Remote Solution
 TITLE: RH55Kxx / 55Lxx

DRAWN: Chang Samyoung	DATED:	CODE:	SIZE:	DRAWING NO:	REV:
CHECKED:	DATED: 2008.04.21	C	PT03		00
QUALITY CONTROL:	DATED:				
RELEASED:	DATED:				

SCALE: SHEET: 2 OF 2



REVISION RECORD			
LTB	EDD NO.	APPROVED	DATE



COMPANY:		RemoteSolution	
MODEL NAME:		MH61 B00 Zigbee EM260	
DRAWN:	Chang_Samyoun	DATED:	'07.09.17
CHECKED:		DATED:	
QUALITY CONTROL:		DATED:	
RELEASED:		DATED:	
SCALE:		CODE:	SIZE:
		DRAWING NO:	PT-01
		REV:	PT00
		SCALE:	SHEET: 1 OF 1