



SPECIFICATION FOR APPROVAL


1. Supplier: Jun wei Technology

2. IBASE Part No: A008NFC0010101000P

3. IBASE Description: **NFC;NFC READER MODULE W/ANTENNA+CBL**
[CT-NFC-C325-01] RoHS2

4. Description: CT-NFC-C325-01

5. Apply Date: 2022 / 3 / 8

Customer Approved	Approved by	Engineer by	Check by
			Terry Ou

IBASE Technology Inc.

Bldg. F, 15F-1, No. 3, Yuan Qu Street, Nangang, Taipei
11503, Taiwan, R.O.C. URL : www.ibase.com.tw

Tel : (02)26557588

Fax : (02)26557158



Jun wei Technology Co., Ltd. Proprietary
DOCUMENT CONTROL SPECIFICATION

1 OF 9

Product Specification	NFC Reader Module_CT-NFC-C325-01	Date: 2020/7/31
	Number:	

Specifications			
Customer name			
Product name	NFC Reader Module		
Product number	CT-NFC-C325-01		
Item number			
Date issued	2019/1/16		
Jun wei Technology www.jw-tech.com.tw			
Manufacturer	Chilitag Technology Ltd.	Produce	R.O.C

AUTHORIZED SIGNATURE	
CUSTOMER	
Date	

The information in this data sheet is believed to be accurate and reliable. We reserve the right to make changes without prior

Jun wei Technology Co., Ltd. Proprietary
Any unauthorized using , reproducing or disclosing in whole or in part withoutprior written permission of CTL Ltd is prohibited.



Jun wei Technology Co., Ltd. Proprietary
DOCUMENT CONTROL SPECIFICATION

Product Specification	NFC Reader Module_CT-NFC-C325-01	Date: 2020/7/31
	Number:	

notice to any specifications of this product. This device is not intended to be used for systems that support or sustain life or for systems where failure may cause personal injury. The customers use this product at their own risk.

NFC Reader Module

CT-NFC-C325-01

Jun wei Technology Co., Ltd. Proprietary

Any unauthorized using , reproducing or disclosing in whole or in part withoutprior written permission of CTL Ltd is prohibited.



Jun wei Technology Co., Ltd. Proprietary
DOCUMENT CONTROL SPECIFICATION

Product Specification	NFC Reader Module_CT-NFC-C325-01	Date: 2020/7/31
	Number:	

Revision history

Version	Date	Description
1	2019/1/16	Initial version
2	2020/4/16	Add Baud-Rate: 115200, 8, n, 1
3	2020/5/20	Update 1.1 Images Remove 2.1 ADHESIVE Update 2.1 3D drawing link Remove 2.2 ADHESIVE Add 2.2 hole mark
4	2020/6/1	Update 1.2 Operating Temperature: -10°C to +60°C
5	2020/7/31	Add Support Tags

Contact information For additional information, please visit: <http://www.jw-tech.com.tw/>

Jun wei Technology Co., Ltd. Proprietary

Any unauthorized using , reproducing or disclosing in whole or in part without prior written permission of CTL Ltd is prohibited.



DOCUMENT CONTROL SPECIFICATION

Product Specification	NFC Reader Module_CT-NFC-C325-01	

Outline

Chapter 1. General Description	5
1.1 Features.....	5
1.2 Technical Specifications	6
Chapter 2. Mechanical characteristics	7
2.1 NFC Reader Module.....	7
2.2 Antenna	8
2.3 Antenna Cable.....	9

Jun wei Technology Co., Ltd. Proprietary

Any unauthorized using , reproducing or disclosing in whole or in part withoutprior written permission of CTL Ltd is prohibited.



DOCUMENT CONTROL SPECIFICATION

Product Specification	NFC Reader Module_CT-NFC-C325-01	

Chapter 1. General Description

This module based on the NFC/RFID controller, the interface is USB, the RF frequency of 13.56 MHz , and integrated antenna. It's support ISO/IEC 14443A/B, MIFARE, FeliCa, ISO/IEC 15693 and NFC standard (Reader mode).

1.1 Features

- USB Full Speed Interface
- Contactless Card Support:
 - Read/write speed of up to 848 kbps
 - Built-in antenna for contactless tag access, with card reading distance of up to 30 mm (depending on tag type)
- Images:

Jun wei Technology Co., Ltd. Proprietary

Any unauthorized using , reproducing or disclosing in whole or in part withoutprior written permission of CTL Ltd is prohibited.



DOCUMENT CONTROL SPECIFICATION

Product Specification	NFC Reader Module_CT-NFC-C325-01	

1.2 Technical Specifications

Operating Frequency	13.56 MHz
Protocol Standard	<ul style="list-style-type: none"> ● ISO 14443A/B ● ISO 15693 ● Mifare ● Felica(Card UID)
Main board	25x23mm
Supply Voltage	Regulated 5V DC
Supply Current	Max. 300mA
Operating Temperature	-10°C to +60°C
Weight	3 g
Antenna	30x17mm, L:10cm
Operating Distance	Up to 30 mm (depends on the tag type)
Host Interface	<ul style="list-style-type: none"> ● Protocol: Virtual COM Port (VCP), Baud-Rate: 115200, 8, n, 1 ● Connector Type: Micro USB ● Power Source: From USB port ● Speed: USB Full Speed
Operating System Support USB Drivers	<ul style="list-style-type: none"> ● Windows 10, 8, 7, XP ● Linux ● Android 9.0 and above
Support Tags	<ul style="list-style-type: none"> ● ISO 14443A-NXP Ultralight ● ISO 14443A-NXP NTAG 213/215/216 ● ISO 14443A-NXP MIFARE Classic 1K ● ISO 15693-NXP ICODE SLI/SLIX

Jun wei Technology Co., Ltd. Proprietary

Any unauthorized using , reproducing or disclosing in whole or in part without prior written permission of CTL Ltd is prohibited.

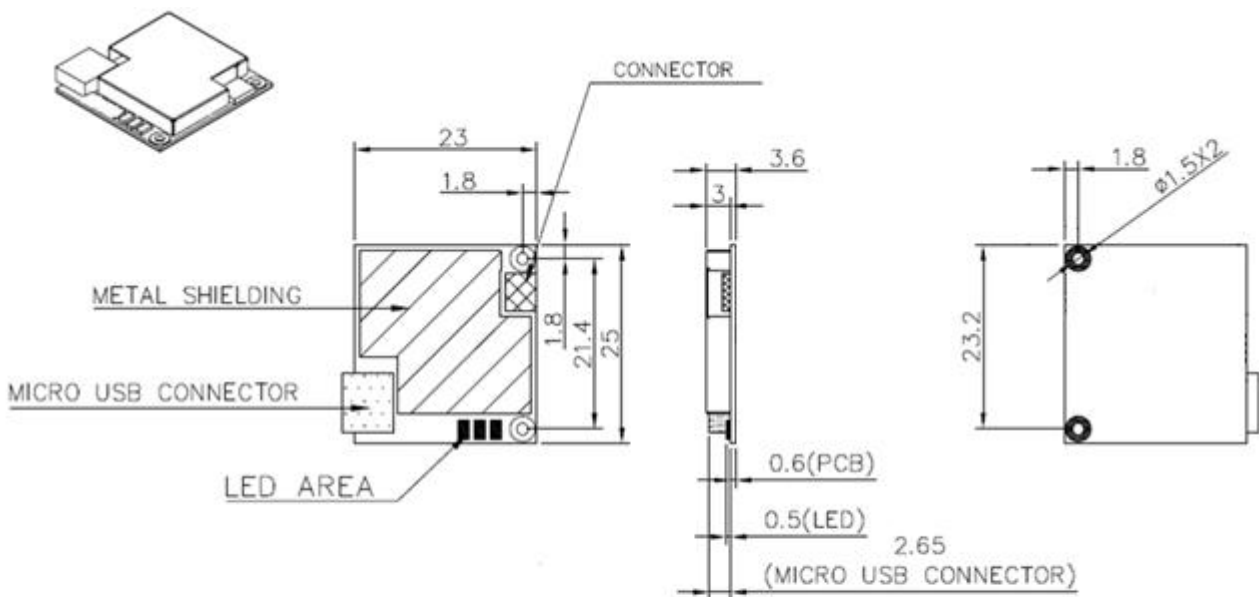
DOCUMENT CONTROL SPECIFICATION

Product Specification	NFC Reader Module_CT-NFC-C325-01	

	<ul style="list-style-type: none"> • ISO 14443A-NXP MIFARE DESFire • ISO 14443A-NXP MIFARE Plus
--	---

Chapter 2. Mechanical characteristics

2.1 NFC Reader Module



Jun wei Technology Co., Ltd. Proprietary

Any unauthorized using, reproducing or disclosing in whole or in part without prior written permission of CTL Ltd is prohibited.

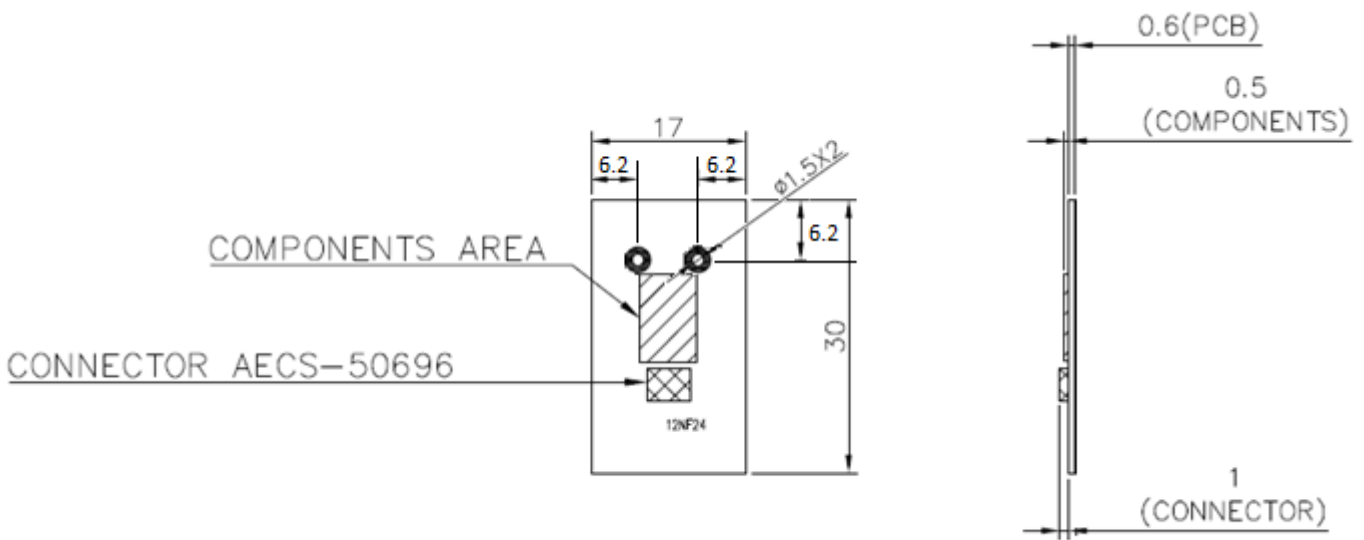
DOCUMENT CONTROL SPECIFICATION

Product Specification	NFC Reader Module_CT-NFC-C325-01	

3D drawing:

<https://cloud.chilitag.com.tw/drive/d/s/554845981311511263/tadaKYnxwsraYNxmDrIwlOUfUnKcFOz-4CqgQYY1swc>

2.2 Antenna



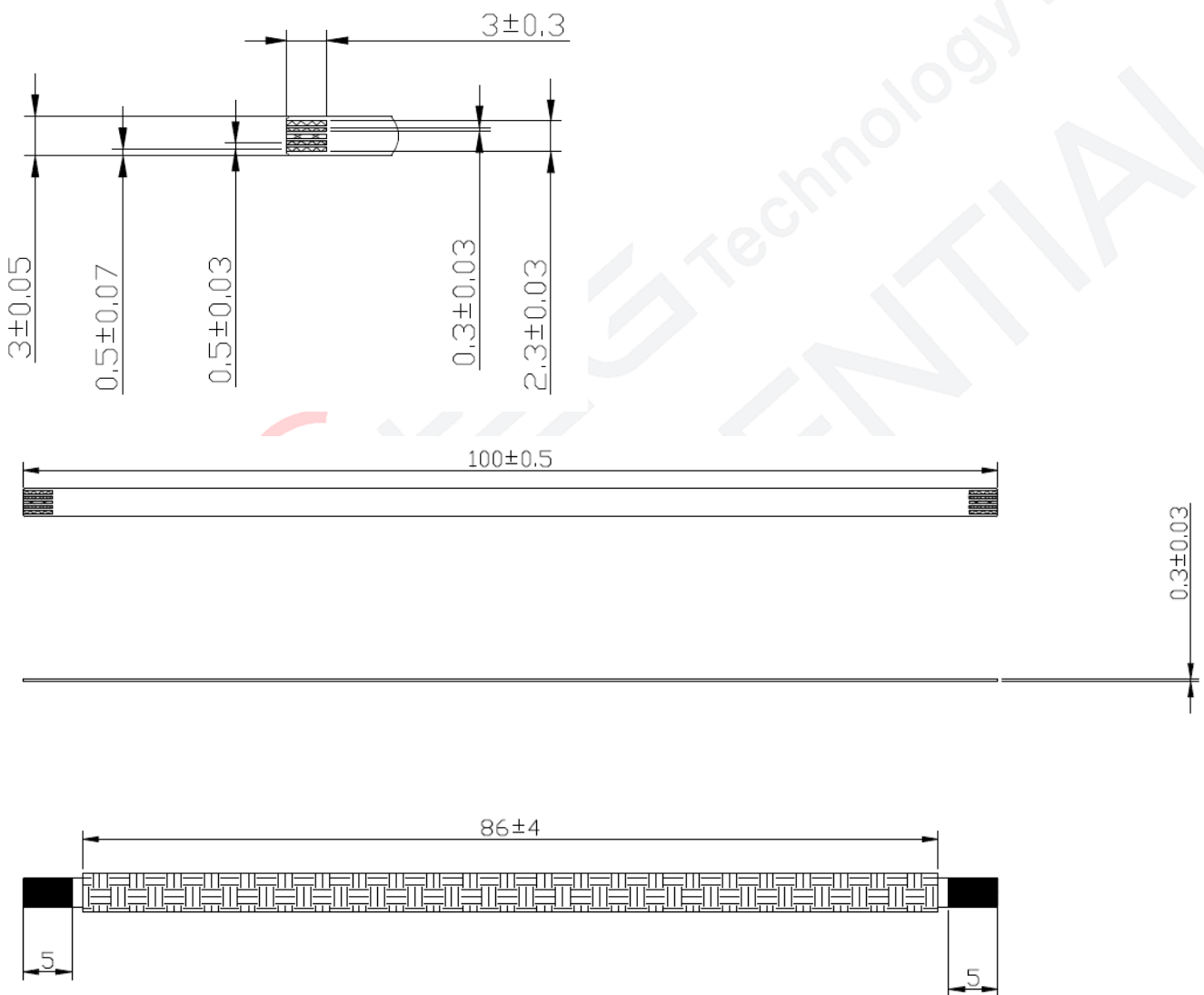
Jun wei Technology Co., Ltd. Proprietary

Any unauthorized using , reproducing or disclosing in whole or in part without prior written permission of CTL Ltd is prohibited.

DOCUMENT CONTROL SPECIFICATION

Product Specification	NFC Reader Module_CT-NFC-C325-01	

2.3 Antenna Cable



Jun wei Technology Co., Ltd. Proprietary

Any unauthorized using , reproducing or disclosing in whole or in part without prior written permission of CTL Ltd is prohibited.