

FCC Test Report (WLAN)

Report No.: RF200114E03-1

FCC ID: TX2-RTL8822C

Test Model: RTL8822C

Received Date: Jan. 14, 2020

Test Date: Feb. 13 to Mar. 25, 2020

Issued Date: Apr. 14, 2020

Applicant: Realtek Semiconductor Corp.

Address: No. 2, Innovation Road II, Hsinchu Science Park, Hsinchu 300, Taiwan

Issued By: Bureau Veritas Consumer Products Services (H.K.) Ltd., Taoyuan Branch
Hsin Chu Laboratory

Lab Address: E-2, No.1, Li Hsin 1st Road, Hsinchu Science Park, Hsinchu City 300,
Taiwan

Test Location: E-2, No.1, Li Hsin 1st Road, Hsinchu Science Park, Hsinchu City 300,
Taiwan

**FCC Registration /
Designation Number:** 723255 / TW2022



This report is for your exclusive use. Any copying or replication of this report to or for any other person or entity, or use of our name or trademark, is permitted only with our prior written permission. This report sets forth our findings solely with respect to the test samples identified herein. The results set forth in this report are not indicative or representative of the quality or characteristics of the lot from which a test sample was taken or any similar or identical product unless specifically and expressly noted. Our report includes all of the tests requested by you and the results thereof based upon the information that you provided to us. You have 60 days from date of issuance of this report to notify us of any material error or omission caused by our negligence, provided, however, that such notice shall be in writing and shall specifically address the issue you wish to raise. A failure to raise such issue within the prescribed time shall constitute your unqualified acceptance of the completeness of this report, the tests conducted and the correctness of the report contents. Unless specific mention, the uncertainty of measurement has been explicitly taken into account to declare the compliance or non-compliance to the specification. The report must not be used by the client to claim product certification, approval, or endorsement by TAF or any government agencies.

Table of Contents

| | |
|--|-----------|
| Release Control Record | 4 |
| 1 Certificate of Conformity | 5 |
| 2 Summary of Test Results | 6 |
| 2.1 Measurement Uncertainty | 6 |
| 2.2 Modification Record | 6 |
| 3 General Information | 7 |
| 3.1 General Description of EUT (WLAN) | 7 |
| 3.2 Description of Test Modes | 10 |
| 3.2.1 Test Mode Applicability and Tested Channel Detail | 12 |
| 3.3 Duty Cycle of Test Signal | 16 |
| 3.4 Description of Support Units | 17 |
| 3.4.1 Configuration of System under Test | 18 |
| 3.5 General Description of Applied Standard and References | 19 |
| 4 Test Types and Results | 20 |
| 4.1 Radiated Emission and Bandedge Measurement | 20 |
| 4.1.1 Limits of Radiated Emission and Bandedge Measurement | 20 |
| 4.1.2 Test Instruments | 21 |
| 4.1.3 Test Procedure | 26 |
| 4.1.4 Deviation from Test Standard | 27 |
| 4.1.5 Test Setup | 27 |
| 4.1.6 EUT Operating Condition | 28 |
| 4.1.7 Test Results (Mode 1) | 29 |
| 4.1.8 Test Results (Mode 2) | 117 |
| 4.2 Conducted Emission Measurement | 201 |
| 4.2.1 Limits of Conducted Emission Measurement | 201 |
| 4.2.2 Test Instruments | 201 |
| 4.2.3 Test Procedure | 202 |
| 4.2.4 Deviation from Test Standard | 202 |
| 4.2.5 Test Setup | 202 |
| 4.2.6 EUT Operating Condition | 202 |
| 4.2.7 Test Results | 203 |
| 4.3 Transmit Power Measurement | 205 |
| 4.3.1 Limits of Transmit Power Measurement | 205 |
| 4.3.2 Test Setup | 205 |
| 4.3.3 Test Instruments | 206 |
| 4.3.4 Test Procedure | 206 |
| 4.3.5 Deviation from Test Standard | 206 |
| 4.3.6 EUT Operating Condition | 206 |
| 4.3.7 Test Results (Mode 1) | 207 |
| 4.3.8 Test Results (Mode 2) | 223 |
| 4.4 Occupied Bandwidth Measurement | 231 |
| 4.4.1 Test Setup | 231 |
| 4.4.2 Test Instruments | 231 |
| 4.4.3 Test Procedure | 231 |
| 4.4.4 Test Results (Mode 1) | 232 |
| 4.4.5 Test Results (Mode 2) | 235 |
| 4.5 Peak Power Spectral Density Measurement | 238 |
| 4.5.1 Limits of Peak Power Spectral Density Measurement | 238 |
| 4.5.2 Test Setup | 238 |
| 4.5.3 Test Instruments | 238 |
| 4.5.4 Test Procedure | 238 |
| 4.5.5 Deviation from Test Standard | 239 |
| 4.5.6 EUT Operating Condition | 239 |

| | |
|--|------------|
| 4.5.7 Test Results (Mode 1)..... | 240 |
| 4.5.8 Test Results (Mode 2)..... | 245 |
| 4.6 Frequency Stability Measurement..... | 250 |
| 4.6.1 Limits of Frequency Stability Measurement | 250 |
| 4.6.2 Test Setup..... | 250 |
| 4.6.3 Test Instruments | 250 |
| 4.6.4 Test Procedure | 250 |
| 4.6.5 Deviation from Test Standard | 250 |
| 4.6.6 EUT Operating Condition | 250 |
| 4.6.7 Test Results | 251 |
| 4.7 6dB Bandwidth Measurement..... | 252 |
| 4.7.1 Limits of 6dB Bandwidth Measurement..... | 252 |
| 4.7.2 Test Setup..... | 252 |
| 4.7.3 Test Instruments | 252 |
| 4.7.4 Test Procedure | 252 |
| 4.7.5 Deviation from Test Standard | 252 |
| 4.7.6 EUT Operating Condition | 252 |
| 4.7.7 Test Results (Mode 1)..... | 253 |
| 4.7.8 Test Results (Mode 2)..... | 255 |
| 5 Pictures of Test Arrangements..... | 257 |
| Annex A - Radiated Out of Band Emission (OOBE) Measurement (For U-NII-3 band) | 258 |
| Annex A.1 - Test Results (Mode 1) | 258 |
| Annex A.2 - Test Results (Mode 2) | 264 |
| Annex B - Band-Edge Measurement (For U-NII-1, U-NII-2A, U-NII-2C band) | 270 |
| Annex B.1 - Test Results (Mode 1)..... | 270 |
| Annex B.2 - Test Results (Mode 2)..... | 286 |
| Appendix – Information of the Testing Laboratories | 302 |

Release Control Record

| Issue No. | Description | Date Issued |
|---------------|-------------------|---------------|
| RF200114E03-1 | Original release. | Apr. 14, 2020 |

1 Certificate of Conformity

Product: 11a/b/g/n/ac RTL8822C Combo module

Brand: Realtek

Test Model: RTL8822C

Sample Status: ENGINEERING SAMPLE

Applicant: Realtek Semiconductor Corp.

Test Date: Feb. 13 to Mar. 25, 2020

Standard: 47 CFR FCC Part 15, Subpart E (Section 15.407)
ANSI C63.10: 2013

The above equipment has been tested by **Bureau Veritas Consumer Products Services (H.K.) Ltd., Taoyuan Branch**, and found compliance with the requirement of the above standards. The test record, data evaluation & Equipment Under Test (EUT) configurations represented herein are true and accurate accounts of the measurements of the sample's EMC characteristics under the conditions specified in this report.

Prepared by : Phoenix Huang , **Date:** Apr. 14, 2020
Phoenix Huang / Specialist

Approved by : Clark Lin , **Date:** Apr. 14, 2020
Clark Lin / Technical Manager

2 Summary of Test Results

| 47 CFR FCC Part 15, Subpart E (Section 15.407) | | | |
|--|---|--------|---|
| FCC Clause | Test Item | Result | Remarks |
| 15.407(b)(6) | AC Power Conducted Emissions | Pass | Meet the requirement of limit. Minimum passing margin is -9.63dB at 0.20469 MHz. |
| 15.407(b) (1/2/3/4(i/ii)/6) | Radiated Emissions & Band Edge Measurement* | Pass | Meet the requirement of limit. Minimum passing margin is -1.5 dB at 5150.00 MHz, 5350.00 MHz, 5470.00 MHz and 5725.00 MHz. |
| 15.407(a)(1/2/3) | Max Average Transmit Power | Pass | Meet the requirement of limit. |
| --- | Occupied Bandwidth Measurement | - | Reference only. |
| 15.407(a)(1/2/3) | Peak Power Spectral Density | Pass | Meet the requirement of limit. |
| 15.407(e) | 6dB bandwidth | Pass | Meet the requirement of limit. (U-NII-3 Band only) |
| 15.407(g) | Frequency Stability | Pass | Meet the requirement of limit. |
| 15.203 | Antenna Requirement | Pass | Antenna connector is i-pex(MHF) not a standard connector. |

Note:

- For U-NII-3 band compliance with rule part 15.407(b)(4)(i), the OOB test plots were recorded in Annex A.
- For U-NII-1, U-NII-2A, U-NII-2C band compliance with rule 15.407(b) of the band-edge items, the test plots were recorded in Annex B. Test Procedures refer to report 4.1.3.
- Determining compliance based on the results of the compliance measurement, not taking into account measurement instrumentation uncertainty.

2.1 Measurement Uncertainty

Where relevant, the following measurement uncertainty levels have been estimated for tests performed on the EUT as specified in CISPR 16-4-2:

| Measurement | Frequency | Expanded Uncertainty (k=2) (±) |
|------------------------------------|----------------|--------------------------------|
| Conducted Emissions at mains ports | 150kHz ~ 30MHz | 1.8 dB |
| Radiated Emissions up to 1 GHz | 9kHz ~ 30MHz | 3.0 dB |
| | 30MHz ~ 1GHz | 4.9 dB |
| Radiated Emissions above 1 GHz | 1GHz ~ 6GHz | 5.1 dB |
| | 6GHz ~ 18GHz | 4.9 dB |
| | 18GHz ~ 40GHz | 5.2 dB |

2.2 Modification Record

There were no modifications required for compliance.

3 General Information

3.1 General Description of EUT (WLAN)

| | |
|-----------------------|--|
| Product | 11a/b/g/n/ac RTL8822C Combo module |
| Brand | Realtek |
| Test Model | RTL8822C |
| Status of EUT | ENGINEERING SAMPLE |
| Power Supply Rating | 3.3Vdc from host equipment |
| Modulation Type | CCK, DQPSK, DBPSK for DSSS 64QAM, 16QAM, QPSK, BPSK for OFDM 256QAM for OFDM in 11ac mode and VHT (20/40) mode in 2.4GHz |
| Modulation Technology | DSSS, OFDM |
| Transfer Rate | 802.11b: up to 11Mbps 802.11a/g: up to 54 Mbps 802.11n: up to 300 Mbps 802.11ac: up to 866.7 Mbps |
| Operating Frequency | 2.4GHz: 2.412 ~ 2.472 GHz 5GHz: 5.18 ~ 5.24 GHz, 5.26 ~ 5.32 GHz, 5.50 ~ 5.72 GHz, 5.745 ~ 5.825 GHz |
| Number of Channel | 2.4GHz: 802.11b, 802.11g, 802.11n (HT20), VHT20: 13 802.11n (HT40), VHT40: 9 5GHz: 802.11a, 802.11n (HT20), 802.11ac (VHT20): 25 802.11n (HT40), 802.11ac (VHT40): 12 802.11ac (VHT80): 6 |
| Output Power | For 2TX CDD Mode: 2.4 GHz: 240.455 mW 5.18 ~ 5.24 GHz: 197.256 mW 5.26 ~ 5.32 GHz: 163.745 mW 5.5 ~ 5.72 GHz: 208.905 mW 5.745 ~ 5.825 GHz: 254.707 mW Beamforming Mode: 2.4 GHz: 240.455 mW 5.18 ~ 5.24 GHz: 157.447 mW 5.26 ~ 5.32 GHz: 156.805 mW 5.5 ~ 5.72 GHz: 157.491 mW 5.745 ~ 5.825 GHz: 254.707 mW For 1TX 2.4 GHz: 116.95 mW 5.18 ~ 5.24 GHz: 127.35 mW 5.26 ~ 5.32 GHz: 131.22 mW 5.5 ~ 5.72 GHz: 128.825 mW 5.745 ~ 5.825 GHz: 129.718 mW |
| Antenna Type | Refer to Note |
| Antenna Connector | Refer to Note |
| Accessory Device | NA |
| Data Cable Supplied | NA |

Note:

1. Simultaneously transmission condition.

| Condition | Technology | |
|-----------|---------------|-----------|
| 1 | WLAN (2.4GHz) | Bluetooth |
| 2 | WLAN (5GHz) | Bluetooth |

Note: The emission of the simultaneous operation has been evaluated and no non-compliance was found.

2. The antennas provided to the EUT, please refer to the following table:

| Antenna Set | Chain NO. | Brand | Model | Antenna Gain (dBi) | Frequency range (GHz) | Antenna Type | Connector Type |
|-------------|-----------|---------|----------------------|--------------------|-----------------------|--------------|----------------|
| 1 | Chain 0 | LYNwave | ALA110-222050-300011 | 3.5 | 2.4~2.5 | PIFA | i-pex(MHF) |
| | | | | 5 | 5.15~5.85 | | |
| | Chain 1 | LYNwave | ALA110-222050-300011 | 3.5 | 2.4~2.5 | PIFA | i-pex(MHF) |
| | | | | 5 | 5.15~5.85 | | |
| 2 | Chain 0 | PSA | RFDPA171320EMLB301 | 3.14 | 2.4~2.5 | Dipole | i-pex(MHF) |
| | | | | 5 | 5.15~5.85 | | |
| | Chain 1 | PSA | RFDPA171320EMLB301 | 3.14 | 2.4~2.5 | Dipole | i-pex(MHF) |
| | | | | 5 | 5.15~5.85 | | |
| 3 | - | REALTEK | RTK-ANT-0006 | 3.5 | 2.4~2.4835 | PIFA | i-pex(MHF) |
| | - | REALTEK | RTK-ANT-0006 | 5 | 5.15~5.85 | PIFA | i-pex(MHF) |

Note:

- From the above transmission chains, the worse case was found in transmission on Chain 0 for 1TX mode. Therefore only the test data of the mode was recorded in this report.
- The Bluetooth technology will fix transmission on Chain 1.
- From the above antennas, antenna set 1 and 2 was selected as representative antenna for the test.

3. The EUT incorporates a MIMO function:

| 2.4GHz Band | | | |
|------------------|-----------------|-----------------------|-----|
| MODULATION MODE | DATA RATE (MCS) | TX & RX CONFIGURATION | |
| 802.11b | 1 ~ 11Mbps | 2TX/1TX Diversity | 2RX |
| 802.11g | 6 ~ 54Mbps | 2TX/1TX Diversity | 2RX |
| 802.11n (HT20) | MCS 0~7 | 2TX/1TX Diversity | 2RX |
| | MCS 8~15 | 2TX | 2RX |
| 802.11n (HT40) | MCS 0~7 | 2TX/1TX Diversity | 2RX |
| | MCS 8~15 | 2TX | 2RX |
| VHT20 | MCS0~8 Nss=1 | 2TX/1TX Diversity | 2RX |
| | MCS0~8 Nss=2 | 2TX | 2RX |
| VHT40 | MCS0~9 Nss=1 | 2TX/1TX Diversity | 2RX |
| | MCS0~9 Nss=2 | 2TX | 2RX |
| 5GHz Band | | | |
| MODULATION MODE | DATA RATE (MCS) | TX & RX CONFIGURATION | |
| 802.11a | 6 ~ 54Mbps | 2TX/1TX Diversity | 2RX |
| 802.11n (HT20) | MCS 0~7 | 2TX/1TX Diversity | 2RX |
| | MCS 8~15 | 2TX | 2RX |
| 802.11n (HT40) | MCS 0~7 | 2TX/1TX Diversity | 2RX |
| | MCS 8~15 | 2TX | 2RX |
| 802.11ac (VHT20) | MCS0~8 Nss=1 | 2TX/1TX Diversity | 2RX |
| | MCS0~8 Nss=2 | 2TX | 2RX |
| 802.11ac (VHT40) | MCS0~9 Nss=1 | 2TX/1TX Diversity | 2RX |
| | MCS0~9 Nss=2 | 2TX | 2RX |
| 802.11ac (VHT80) | MCS0~9 Nss=1 | 2TX/1TX Diversity | 2RX |
| | MCS0~9 Nss=2 | 2TX | 2RX |

Note:

1. All of modulation mode support beamforming function except 802.11a/b/g modulation mode.
2. The EUT support Beamforming and CDD mode, therefore both mode were investigated and the worst case scenario was identified. The worst case data were presented in test report.
3. The modulation and bandwidth are similar for 802.11n mode for 20MHz (40MHz) and 802.11ac mode for 20MHz (40MHz), therefore the manufacturer will control the power for 802.11n mode is the same as the 802.11ac or more lower than it and investigated worst case to representative mode in test report. (Final test mode refer to section 3.2.1)
4. The above EUT information is declared by manufacturer and for more detailed features description, please refers to the manufacturer's specifications or user's manual.

3.2 Description of Test Modes

FOR 5180 ~ 5240MHz

4 channels are provided for 802.11a, 802.11n (HT20), 802.11ac (VHT20):

| Channel | Frequency | Channel | Frequency |
|---------|-----------|---------|-----------|
| 36 | 5180 MHz | 44 | 5220 MHz |
| 40 | 5200 MHz | 48 | 5240 MHz |

2 channels are provided for 802.11n (HT40), 802.11ac (VHT40):

| Channel | Frequency | Channel | Frequency |
|---------|-----------|---------|-----------|
| 38 | 5190 MHz | 46 | 5230 MHz |

1 channel is provided for 802.11ac (VHT80):

| Channel | Frequency |
|---------|-----------|
| 42 | 5210 MHz |

FOR 5260 ~ 5320MHz

4 channels are provided for 802.11a, 802.11n (HT20), 802.11ac (VHT20):

| Channel | Frequency | Channel | Frequency |
|---------|-----------|---------|-----------|
| 52 | 5260 MHz | 60 | 5300 MHz |
| 56 | 5280 MHz | 64 | 5320 MHz |

2 channels are provided for 802.11n (HT40), 802.11ac (VHT40):

| Channel | Frequency | Channel | Frequency |
|---------|-----------|---------|-----------|
| 54 | 5270 MHz | 62 | 5310 MHz |

1 channel is provided for 802.11ac (VHT80):

| Channel | Frequency |
|---------|-----------|
| 58 | 5290 MHz |

FOR 5500 ~ 5720MHz

12 channels are provided for 802.11a, 802.11n (HT20), 802.11ac (VHT20):

| Channel | Frequency | Channel | Frequency |
|---------|-----------|---------|-----------|
| 100 | 5500 MHz | 124 | 5620 MHz |
| 104 | 5520 MHz | 128 | 5640 MHz |
| 108 | 5540 MHz | 132 | 5660 MHz |
| 112 | 5560 MHz | 136 | 5680 MHz |
| 116 | 5580 MHz | 140 | 5700 MHz |
| 120 | 5600 MHz | 144 | 5720 MHz |

6 channels are provided for 802.11n (HT40), 802.11ac (VHT40):

| Channel | Frequency | Channel | Frequency |
|---------|-----------|---------|-----------|
| 102 | 5510 MHz | 126 | 5630 MHz |
| 110 | 5550 MHz | 134 | 5670 MHz |
| 118 | 5590 MHz | 142 | 5710 MHz |

3 channels are provided for 802.11ac (VHT80):

| Channel | Frequency | Channel | Frequency |
|---------|-----------|---------|-----------|
| 106 | 5530 MHz | 138 | 5690 MHz |
| 122 | 5610 MHz | | |

FOR 5745 ~ 5825MHz:

5 channels are provided for 802.11a, 802.11n (HT20), 802.11ac (VHT20):

| Channel | Frequency | Channel | Frequency |
|---------|-----------|---------|-----------|
| 149 | 5745 MHz | 161 | 5805 MHz |
| 153 | 5765 MHz | 165 | 5825 MHz |
| 157 | 5785 MHz | | |

2 channels are provided for 802.11n (HT40), 802.11ac (VHT40):

| Channel | Frequency | Channel | Frequency |
|---------|-----------|---------|-----------|
| 151 | 5755 MHz | 159 | 5795 MHz |

1 channel is provided for 802.11ac (VHT80):

| Channel | Frequency |
|---------|-----------|
| 155 | 5775 MHz |

3.2.1 Test Mode Applicability and Tested Channel Detail

| EUT Configure Mode | Applicable To | | | | Description |
|--------------------|---------------|-------|-----|------|-------------|
| | RE \geq 1G | RE<1G | PLC | APCM | |
| 1 | √ | √ | √ | √ | 2TX |
| 2 | √ | - | - | √ | 1TX |

Where **RE \geq 1G**: Radiated Emission above 1GHz

RE<1G: Radiated Emission below 1GHz

PLC: Power Line Conducted Emission

APCM: Antenna Port Conducted Measurement

Note: The EUT's PIFA antenna had been pre-tested on the positioned of each 3 axis. The worst case was found when positioned on **Y-plane**.

Radiated Emission Test (Above 1GHz):

- Pre-Scan has been conducted to determine the worst-case mode from all possible combinations between available modulations, data rates and antenna ports (if EUT with antenna diversity architecture).

- Following channel(s) was (were) selected for the final test as listed below.

| 2TX (CDD Mode) | | | | | | |
|------------------|------------------|-------------------|--------------------|-----------------------|-----------------|------------------|
| Mode | FREQ. Band (MHz) | Available Channel | Tested Channel | Modulation Technology | Modulation Type | Data Rate (Mbps) |
| 802.11a | 5180-5240 | 36 to 48 | 36, 40, 48 | OFDM | BPSK | 6 |
| 802.11ac (VHT20) | | 36 to 48 | 36, 40, 48 | OFDM | BPSK | 6.5 |
| 802.11ac (VHT40) | | 38 to 46 | 38, 46 | OFDM | BPSK | 13.5 |
| 802.11ac (VHT80) | | 42 | 42 | OFDM | BPSK | 29.3 |
| 802.11a | 5260-5320 | 52 to 64 | 52, 60, 64 | OFDM | BPSK | 6 |
| 802.11ac (VHT20) | | 52 to 64 | 52, 60, 64 | OFDM | BPSK | 6.5 |
| 802.11ac (VHT40) | | 54 to 62 | 54, 62 | OFDM | BPSK | 13.5 |
| 802.11ac (VHT80) | | 58 | 58 | OFDM | BPSK | 29.3 |
| 802.11a | 5500-5720 | 100 to 144 | 100, 116, 140, 144 | OFDM | BPSK | 6 |
| 802.11ac (VHT20) | | 100 to 144 | 100, 116, 140, 144 | OFDM | BPSK | 6.5 |
| 802.11ac (VHT40) | | 102 to 142 | 102, 110, 134, 142 | OFDM | BPSK | 13.5 |
| 802.11ac (VHT80) | | 106 to 138 | 106, 122, 138 | OFDM | BPSK | 29.3 |
| 802.11a | 5745-5825 | 149 to 165 | 149, 157, 165 | OFDM | BPSK | 6 |
| 802.11ac (VHT20) | | 149 to 165 | 149, 157, 165 | OFDM | BPSK | 6.5 |
| 802.11ac (VHT40) | | 151 to 159 | 151, 159 | OFDM | BPSK | 13.5 |
| 802.11ac (VHT80) | | 155 | 155 | OFDM | BPSK | 29.3 |

| 1TX | | | | | | |
|------------------|------------------|-------------------|--------------------|-----------------------|-----------------|------------------|
| Mode | FREQ. Band (MHz) | Available Channel | Tested Channel | Modulation Technology | Modulation Type | Data Rate (Mbps) |
| 802.11a | 5180-5240 | 36 to 48 | 36, 40, 48 | OFDM | BPSK | 6 |
| 802.11ac (VHT20) | | 36 to 48 | 36, 40, 48 | OFDM | BPSK | 6.5 |
| 802.11ac (VHT40) | | 38 to 46 | 38, 46 | OFDM | BPSK | 13.5 |
| 802.11ac (VHT80) | | 42 | 42 | OFDM | BPSK | 29.3 |
| 802.11a | 5260-5320 | 52 to 64 | 52, 60, 64 | OFDM | BPSK | 6 |
| 802.11ac (VHT20) | | 52 to 64 | 52, 60, 64 | OFDM | BPSK | 6.5 |
| 802.11ac (VHT40) | | 54 to 62 | 54, 62 | OFDM | BPSK | 13.5 |
| 802.11ac (VHT80) | | 58 | 58 | OFDM | BPSK | 29.3 |
| 802.11a | 5500-5720 | 100 to 144 | 100, 116, 140, 144 | OFDM | BPSK | 6 |
| 802.11ac (VHT20) | | 100 to 144 | 100, 116, 140, 144 | OFDM | BPSK | 6.5 |
| 802.11ac (VHT40) | | 102 to 142 | 102, 110, 134, 142 | OFDM | BPSK | 13.5 |
| 802.11ac (VHT80) | | 106 to 138 | 106, 122, 138 | OFDM | BPSK | 29.3 |
| 802.11a | 5745-5825 | 149 to 165 | 149, 157, 165 | OFDM | BPSK | 6 |
| 802.11ac (VHT20) | | 149 to 165 | 149, 157, 165 | OFDM | BPSK | 6.5 |
| 802.11ac (VHT40) | | 151 to 159 | 151, 159 | OFDM | BPSK | 13.5 |
| 802.11ac (VHT80) | | 155 | 155 | OFDM | BPSK | 29.3 |

Radiated Emission Test (Below 1GHz):

- Pre-Scan has been conducted to determine the worst-case mode from all possible combinations between available modulations, data rates and antenna ports (if EUT with antenna diversity architecture).
- Following channel(s) was (were) selected for the final test as listed below.

| 2TX (CDD Mode) | | | | | | |
|------------------|---------------------------------------|--|----------------|-----------------------|-----------------|------------------|
| Mode | FREQ. Band (MHz) | Available Channel | Tested Channel | Modulation Technology | Modulation Type | Data Rate (Mbps) |
| 802.11ac (VHT20) | 5180-5320, 5500-5720, 5745-5825 | 36 to 64, 100 to 144, 149 to 165 | 157 | OFDM | BPSK | 6.5 |

Power Line Conducted Emission Test:

- Pre-Scan has been conducted to determine the worst-case mode from all possible combinations between available modulations, data rates and antenna ports (if EUT with antenna diversity architecture).
- Following channel(s) was (were) selected for the final test as listed below.

| 2TX (CDD Mode) | | | | | | |
|------------------|---------------------------------------|--|----------------|-----------------------|-----------------|------------------|
| Mode | FREQ. Band (MHz) | Available Channel | Tested Channel | Modulation Technology | Modulation Type | Data Rate (Mbps) |
| 802.11ac (VHT20) | 5180-5320, 5500-5720, 5745-5825 | 36 to 64, 100 to 144, 149 to 165 | 157 | OFDM | BPSK | 6.5 |

Antenna Port Conducted Measurement:

- This item includes all test value of each mode, but only includes spectrum plot of worst value of each mode.
- Pre-Scan has been conducted to determine the worst-case mode from all possible combinations between available modulations, data rates and antenna ports (if EUT with antenna diversity architecture).
- Following channel(s) was (were) selected for the final test as listed below.

| 2TX (CDD Mode) | | | | | | |
|--|------------------|-------------------|--------------------|-----------------------|-----------------|------------------|
| Mode | FREQ. Band (MHz) | Available Channel | Tested Channel | Modulation Technology | Modulation Type | Data Rate (Mbps) |
| 802.11a | 5180-5240 | 36 to 48 | 36, 40, 48 | OFDM | BPSK | 6 |
| 802.11ac (VHT20) | | 36 to 48 | 36, 40, 48 | OFDM | BPSK | 6.5 |
| 802.11ac (VHT40) | | 38 to 46 | 38, 46 | OFDM | BPSK | 13.5 |
| 802.11ac (VHT80) | | 42 | 42 | OFDM | BPSK | 29.3 |
| 802.11a | 5260-5320 | 52 to 64 | 52, 60, 64 | OFDM | BPSK | 6 |
| 802.11ac (VHT20) | | 52 to 64 | 52, 60, 64 | OFDM | BPSK | 6.5 |
| 802.11ac (VHT40) | | 54 to 62 | 54, 62 | OFDM | BPSK | 13.5 |
| 802.11ac (VHT80) | | 58 | 58 | OFDM | BPSK | 29.3 |
| 802.11a | 5500-5720 | 100 to 144 | 100, 116, 140, 144 | OFDM | BPSK | 6 |
| 802.11ac (VHT20) | | 100 to 144 | 100, 116, 140, 144 | OFDM | BPSK | 6.5 |
| 802.11ac (VHT40) | | 102 to 142 | 102, 110, 134, 142 | OFDM | BPSK | 13.5 |
| 802.11ac (VHT80) | | 106 to 138 | 106, 122, 138 | OFDM | BPSK | 29.3 |
| 802.11a | 5745-5825 | 149 to 165 | 149, 157, 165 | OFDM | BPSK | 6 |
| 802.11ac (VHT20) | | 149 to 165 | 149, 157, 165 | OFDM | BPSK | 6.5 |
| 802.11ac (VHT40) | | 151 to 159 | 151, 159 | OFDM | BPSK | 13.5 |
| 802.11ac (VHT80) | | 155 | 155 | OFDM | BPSK | 29.3 |
| 2TX (Beamforming Mode) (output power only) | | | | | | |
| Mode | FREQ. Band (MHz) | Available Channel | Tested Channel | Modulation Technology | Modulation Type | Data Rate (Mbps) |
| 802.11ac (VHT20) | 5180-5240 | 36 to 48 | 36, 40, 48 | OFDM | BPSK | 6.5 |
| 802.11ac (VHT40) | | 38 to 46 | 38, 46 | OFDM | BPSK | 13.5 |
| 802.11ac (VHT80) | | 42 | 42 | OFDM | BPSK | 29.3 |
| 802.11ac (VHT20) | 5260-5320 | 52 to 64 | 52, 60, 64 | OFDM | BPSK | 6.5 |
| 802.11ac (VHT40) | | 54 to 62 | 54, 62 | OFDM | BPSK | 13.5 |
| 802.11ac (VHT80) | | 58 | 58 | OFDM | BPSK | 29.3 |
| 802.11ac (VHT20) | 5500-5720 | 100 to 144 | 100, 116, 140, 144 | OFDM | BPSK | 6.5 |
| 802.11ac (VHT40) | | 102 to 142 | 102, 110, 134, 142 | OFDM | BPSK | 13.5 |
| 802.11ac (VHT80) | | 106 to 138 | 106, 122, 138 | OFDM | BPSK | 29.3 |
| 802.11ac (VHT20) | 5745-5825 | 149 to 165 | 149, 157, 165 | OFDM | BPSK | 6.5 |
| 802.11ac (VHT40) | | 151 to 159 | 151, 159 | OFDM | BPSK | 13.5 |
| 802.11ac (VHT80) | | 155 | 155 | OFDM | BPSK | 29.3 |

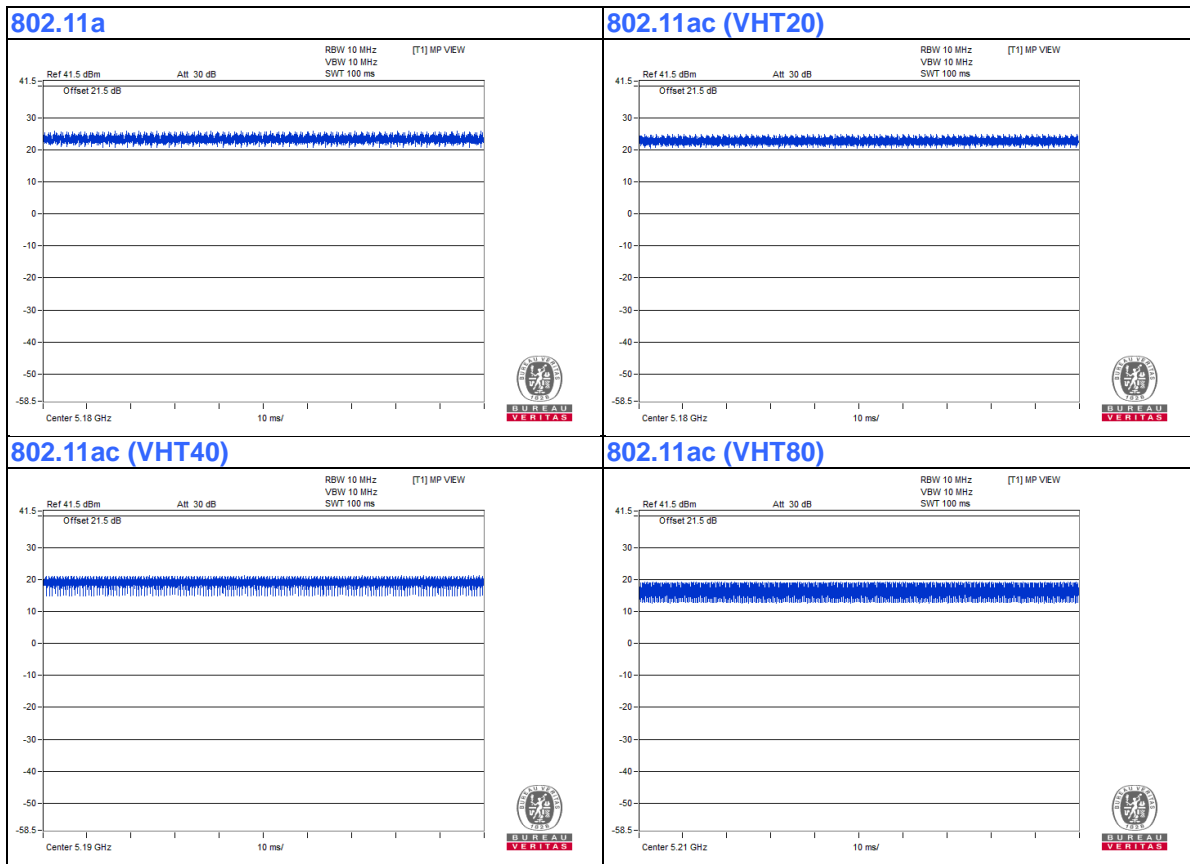
| 1TX | | | | | | |
|------------------|------------------|-------------------|--------------------|-----------------------|-----------------|------------------|
| Mode | FREQ. Band (MHz) | Available Channel | Tested Channel | Modulation Technology | Modulation Type | Data Rate (Mbps) |
| 802.11a | 5180-5240 | 36 to 48 | 36, 40, 48 | OFDM | BPSK | 6 |
| 802.11ac (VHT20) | | 36 to 48 | 36, 40, 48 | OFDM | BPSK | 6.5 |
| 802.11ac (VHT40) | | 38 to 46 | 38, 46 | OFDM | BPSK | 13.5 |
| 802.11ac (VHT80) | | 42 | 42 | OFDM | BPSK | 29.3 |
| 802.11a | 5260-5320 | 52 to 64 | 52, 60, 64 | OFDM | BPSK | 6 |
| 802.11ac (VHT20) | | 52 to 64 | 52, 60, 64 | OFDM | BPSK | 6.5 |
| 802.11ac (VHT40) | | 54 to 62 | 54, 62 | OFDM | BPSK | 13.5 |
| 802.11ac (VHT80) | | 58 | 58 | OFDM | BPSK | 29.3 |
| 802.11a | 5500-5720 | 100 to 144 | 100, 116, 140, 144 | OFDM | BPSK | 6 |
| 802.11ac (VHT20) | | 100 to 144 | 100, 116, 140, 144 | OFDM | BPSK | 6.5 |
| 802.11ac (VHT40) | | 102 to 142 | 102, 110, 134, 142 | OFDM | BPSK | 13.5 |
| 802.11ac (VHT80) | | 106 to 138 | 106, 122, 138 | OFDM | BPSK | 29.3 |
| 802.11a | 5745-5825 | 149 to 165 | 149, 157, 165 | OFDM | BPSK | 6 |
| 802.11ac (VHT20) | | 149 to 165 | 149, 157, 165 | OFDM | BPSK | 6.5 |
| 802.11ac (VHT40) | | 151 to 159 | 151, 159 | OFDM | BPSK | 13.5 |
| 802.11ac (VHT80) | | 155 | 155 | OFDM | BPSK | 29.3 |

Test Condition:

| Applicable To | Environmental Conditions | Input Power (System) | Tested By |
|---------------|--------------------------|----------------------|---------------|
| RE \geq 1G | 25deg. C, 75%RH | 120Vac, 60Hz | Gary Cheng |
| RE $<$ 1G | 22deg. C, 70%RH | 120Vac, 60Hz | Kevin Ko |
| PLC | 25deg. C, 75%RH | 120Vac, 60Hz | Kevin Ko |
| APCM | 25deg. C, 60%RH | 120Vac, 60Hz | Anderson Chen |

3.3 Duty Cycle of Test Signal

Duty cycle of test signal is 100 %, duty factor is not required.



3.4 Description of Support Units

The EUT has been tested as an independent unit together with other necessary accessories or support units. The following support units or accessories were used to form a representative test configuration during the tests.

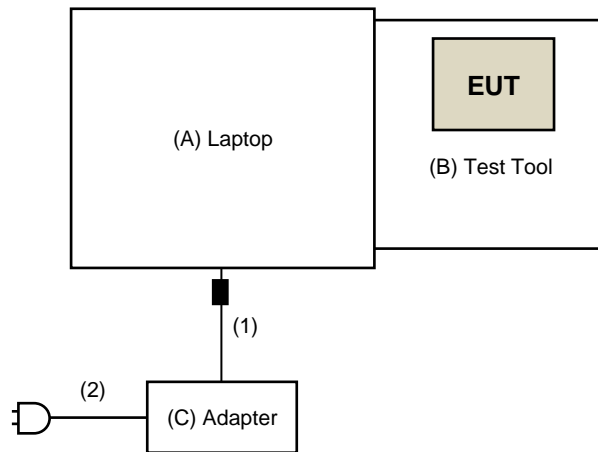
| ID | Product | Brand | Model No. | Serial No. | FCC ID | Remarks |
|----|-----------|---------|-------------|------------|--------|--------------------|
| A. | Laptop | Lenovo | 769 | NA | NA | Provided by Lab |
| B. | Test Tool | Realtek | NA | NA | NA | Supplied by client |
| C. | Adapter | Lenovo | ADLX45YCC3A | NA | NA | Provided by Lab |

| ID | Descriptions | Qty. | Length (m) | Shielding (Yes/No) | Cores (Qty.) | Remarks |
|----|--------------|------|------------|--------------------|--------------|-----------------|
| 1. | DC Cable | 1 | 1.8 | No | 1 | Provided by Lab |
| 2. | AC Cable | 1 | 1.8 | No | 0 | Provided by Lab |

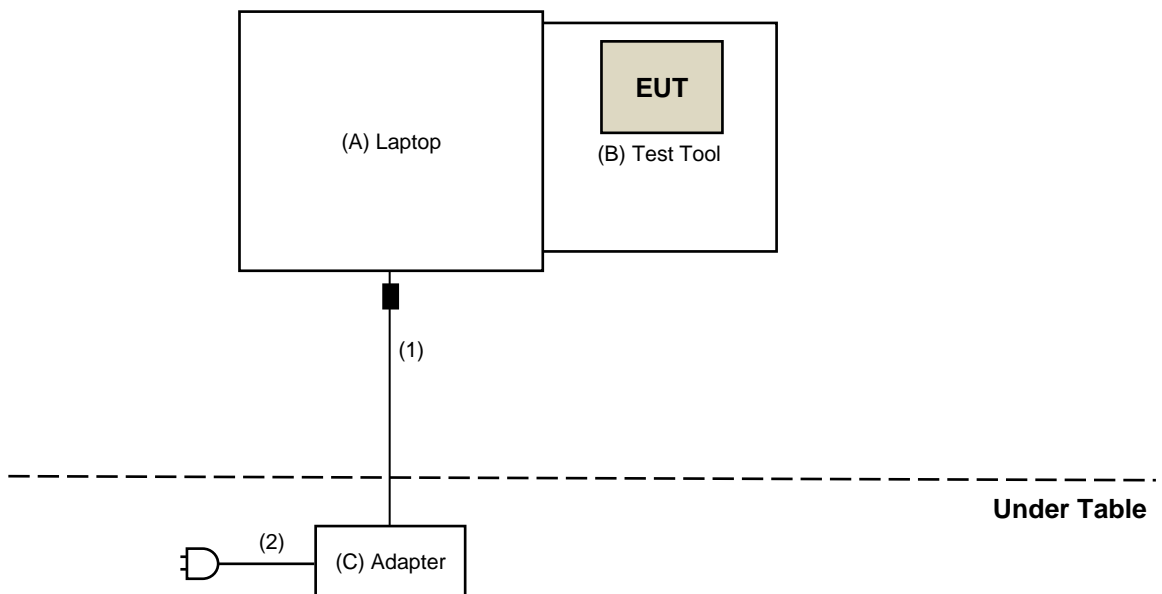
Note: The core(s) is(are) originally attached to the cable(s).

3.4.1 Configuration of System under Test

For AC Power Conducted Emissions test:



For Radiated Emissions test:



3.5 General Description of Applied Standard and References

The EUT is a RF Product. According to the specifications of the manufacturer, it must comply with the requirements of the following standards and references:

Test Standard:

FCC Part 15, Subpart E (15.407)

ANSI C63.10-2013

All test items have been performed and recorded as per the above standards.

References Test Guidance:

KDB 789033 D02 General UNII Test Procedure New Rules v02r01

KDB 662911 D01 Multiple Transmitter Output v02r01

All test items have been performed as a reference to the above KDB test guidance.

4 Test Types and Results

4.1 Radiated Emission and Bandedge Measurement

4.1.1 Limits of Radiated Emission and Bandedge Measurement

Radiated emissions which fall in the restricted bands must comply with the radiated emission limits specified as below table.

| Frequencies (MHz) | Field Strength (microvolts/meter) | Measurement Distance (meters) |
|-------------------|-----------------------------------|-------------------------------|
| 0.009 ~ 0.490 | 2400/F(kHz) | 300 |
| 0.490 ~ 1.705 | 24000/F(kHz) | 30 |
| 1.705 ~ 30.0 | 30 | 30 |
| 30 ~ 88 | 100 | 3 |
| 88 ~ 216 | 150 | 3 |
| 216 ~ 960 | 200 | 3 |
| Above 960 | 500 | 3 |

NOTE:

1. The lower limit shall apply at the transition frequencies.
2. Emission level (dBuV/m) = 20 log Emission level (uV/m).
3. For frequencies above 1000MHz, the field strength limits are based on average detector, however, the peak field strength of any emission shall not exceed the maximum permitted average limits, specified above by more than 20dB under any condition of modulation.

Limits of unwanted emission out of the restricted bands

| Applicable To | | Limit | |
|--|-----------------|---|---|
| 789033 D02 General UNII Test Procedure New Rules v02r01 | | Field Strength at 3m | |
| | | PK:74 (dBuV/m) | AV:54 (dBuV/m) |
| Frequency Band | Applicable To | EIRP Limit | Equivalent Field Strength at 3m |
| 5150~5250 MHz | 15.407(b)(1) | PK:-27 (dBm/MHz) | PK:68.2(dBuV/m) |
| 5250~5350 MHz | 15.407(b)(2) | | |
| 5470~5725 MHz | 15.407(b)(3) | | |
| 5725~5850 MHz | 15.407(b)(4)(i) | PK:-27 (dBm/MHz) ^{*1} PK:10 (dBm/MHz) ^{*2} PK:15.6 (dBm/MHz) ^{*3} PK:27 (dBm/MHz) ^{*4} | PK: 68.2(dBuV/m) ^{*1} PK:105.2 (dBuV/m) ^{*2} PK: 110.8(dBuV/m) ^{*3} PK:122.2 (dBuV/m) ^{*4} |
| ^{*1} beyond 75 MHz or more above of the band edge. | | ^{*2} below the band edge increasing linearly to 10 dBm/MHz at 25 MHz above. | |
| ^{*3} below the band edge increasing linearly to a level of 15.6 dBm/MHz at 5 MHz above. | | ^{*4} from 5 MHz above or below the band edge increasing linearly to a level of 27 dBm/MHz at the band edge. | |

Note:

The following formula is used to convert the equipment isotropic radiated power (eirp) to field strength:

$$E = \frac{1000000\sqrt{30P}}{3} \mu\text{V/m, where P is the eirp (Watts).}$$

4.1.2 Test Instruments

For PIFA Antenna: OOBE and Bandedge test: (except for 1TX of 802.11ac (VHT20) mode)

For Dipole Antenna: OOBE test:

| DESCRIPTION & MANUFACTURER | MODEL NO. | SERIAL NO. | CALIBRATED DATE | CALIBRATED UNTIL |
|---|----------------------|-------------|-----------------|------------------|
| Test Receiver Agilent | N9038A | MY51210202 | Dec. 13, 2019 | Dec. 12, 2020 |
| Horn_Antenna SCHWARZBECK | BBHA 9120D | 9120D-783 | Nov. 24, 2019 | Nov. 23, 2020 |
| Pre-Amplifier EMCI | EMC12630SE | 980385 | Aug. 15, 2019 | Aug. 14, 2020 |
| RF Cable | EMC104-SM-SM-1200 | 160923 | Jan. 15, 2020 | Jan. 14, 2021 |
| RF Cable | 104 RF cable | 131215 | Jan. 09, 2020 | Jan. 08, 2021 |
| RF Cable | EMC104-SM-SM-6000 | 180418 | May 03, 2019 | May 02, 2020 |
| Pre-Amplifier EMCI | EMC184045SE | 980387 | Jan. 15, 2020 | Jan. 14, 2021 |
| Horn_Antenna SCHWARZBECK | BBHA 9170 | BBHA9170519 | Nov. 24, 2019 | Nov. 23, 2020 |
| RF Cable | EMC102-KM-KM-1200 | 160924 | Jan. 15, 2020 | Jan. 14, 2021 |
| RF Cable | EMC102-KM-KM-4500 | 181205 | Aug. 26, 2019 | Aug. 25, 2020 |
| Software | ADT_Radiated_V8.7.08 | NA | NA | NA |
| Boresight Antenna Tower & Turn Table Max-Full | MF-7802BS | MF780208530 | NA | NA |

Note:

1. The calibration interval of the above test instruments is 12 months and the calibrations are traceable to NML/ROC and NIST/USA.
2. The test was performed in 966 Chamber No. 4.
3. Tested Date: Feb. 13 to 27, 2020

For Radiated Emission (above 1GHz) and Bandedge test

| DESCRIPTION & MANUFACTURER | MODEL NO. | SERIAL NO. | CALIBRATED DATE | CALIBRATED UNTIL |
|---|----------------------|-------------|-----------------|------------------|
| Test Receiver Agilent | N9038A | MY51210202 | Dec. 13, 2019 | Dec. 12, 2020 |
| Horn_Antenna SCHWARZBECK | BBHA 9120D | 9120D-783 | Nov. 24, 2019 | Nov. 23, 2020 |
| Pre-Amplifier EMCI | EMC12630SE | 980385 | Aug. 15, 2019 | Aug. 14, 2020 |
| RF Cable | EMC104-SM-SM-1200 | 160923 | Jan. 15, 2020 | Jan. 14, 2021 |
| RF Cable | 104 RF cable | 131215 | Jan. 09, 2020 | Jan. 08, 2021 |
| RF Cable | EMC104-SM-SM-6000 | 180418 | May 03, 2019 | May 02, 2020 |
| Pre-Amplifier EMCI | EMC184045SE | 980387 | Jan. 15, 2020 | Jan. 14, 2021 |
| Horn_Antenna SCHWARZBECK | BBHA 9170 | BBHA9170519 | Nov. 24, 2019 | Nov. 23, 2020 |
| RF Cable | EMC102-KM-KM-1200 | 160924 | Jan. 15, 2020 | Jan. 14, 2021 |
| RF Cable | EMC-KM-KM-4000 | 200214 | Mar. 11, 2020 | Mar. 10, 2021 |
| Software | ADT_Radiated_V8.7.08 | NA | NA | NA |
| Boresight Antenna Tower & Turn Table Max-Full | MF-7802BS | MF780208530 | NA | NA |

Note:

1. The calibration interval of the above test instruments is 12 months and the calibrations are traceable to NML/ROC and NIST/USA.
2. The test was performed in 966 Chamber No. 4.
3. Tested Date: Mar. 11 to 21, 2020

For Dipole Antenna Radiated Emission (below 1GHz) test

| DESCRIPTION & MANUFACTURER | MODEL NO. | SERIAL NO. | CALIBRATED DATE | CALIBRATED UNTIL |
|---|----------------------|-------------|-----------------|------------------|
| Test Receiver Agilent | N9038A | MY51210202 | Dec. 13, 2019 | Dec. 12, 2020 |
| Pre-Amplifier EMCI | EMC001340 | 980142 | May 30, 2019 | May 29, 2020 |
| Loop Antenna Electro-Metrics | EM-6879 | 264 | Feb. 18, 2020 | Feb. 17, 2021 |
| RF Cable | NA | LOOPCAB-001 | Jan. 08, 2020 | Jan. 07, 2021 |
| RF Cable | NA | LOOPCAB-002 | Jan. 08, 2020 | Jan. 07, 2021 |
| Pre-Amplifier Mini-Circuits | ZFL-1000VH2B | AMP-ZFL-01 | Oct. 23, 2019 | Oct. 22, 2020 |
| Trilog Broadband Antenna SCHWARZBECK | VULB 9168 | 9168-406 | Nov. 11, 2019 | Nov. 10, 2020 |
| RF Cable | 8D | 966-4-1 | Mar. 19, 2019 | Mar. 18, 2020 |
| RF Cable | 8D | 966-4-2 | Mar. 19, 2019 | Mar. 18, 2020 |
| RF Cable | 8D | 966-4-3 | Mar. 19, 2019 | Mar. 18, 2020 |
| Fixed attenuator Mini-Circuits | UNAT-5+ | PAD-3m-4-01 | Sep. 26, 2019 | Sep. 25, 2020 |
| Software | ADT_Radiated_V8.7.08 | NA | NA | NA |
| Boresight Antenna Tower & Turn Table Max-Full | MF-7802BS | MF780208530 | NA | NA |

Note:

1. The calibration interval of the above test instruments is 12 months and the calibrations are traceable to NML/ROC and NIST/USA.
2. The test was performed in 966 Chamber No. 4.
3. Tested Date: Mar. 12, 2020

For PIFA Antenna Radiated Emission (below 1GHz) test

| DESCRIPTION & MANUFACTURER | MODEL NO. | SERIAL NO. | CALIBRATED DATE | CALIBRATED UNTIL |
|---|----------------------|-------------|-----------------|------------------|
| Test Receiver Agilent | N9038A | MY51210202 | Dec. 13, 2019 | Dec. 12, 2020 |
| Pre-Amplifier EMCI | EMC001340 | 980142 | May 30, 2019 | May 29, 2020 |
| Loop Antenna Electro-Metrics | EM-6879 | 264 | Feb. 18, 2020 | Feb. 17, 2021 |
| RF Cable | NA | LOOPCAB-001 | Jan. 08, 2020 | Jan. 07, 2021 |
| RF Cable | NA | LOOPCAB-002 | Jan. 08, 2020 | Jan. 07, 2021 |
| Pre-Amplifier Mini-Circuits | ZFL-1000VH2B | AMP-ZFL-01 | Oct. 23, 2019 | Oct. 22, 2020 |
| Trilog Broadband Antenna SCHWARZBECK | VULB 9168 | 9168-406 | Nov. 11, 2019 | Nov. 10, 2020 |
| RF Cable | 8D | 966-4-1 | Mar. 18, 2020 | Mar. 17, 2021 |
| RF Cable | 8D | 966-4-2 | Mar. 18, 2020 | Mar. 17, 2021 |
| RF Cable | 8D | 966-4-3 | Mar. 18, 2020 | Mar. 17, 2021 |
| Fixed attenuator Mini-Circuits | UNAT-5+ | PAD-3m-4-01 | Sep. 26, 2019 | Sep. 25, 2020 |
| Software | ADT_Radiated_V8.7.08 | NA | NA | NA |
| Boresight Antenna Tower & Turn Table Max-Full | MF-7802BS | MF780208530 | NA | NA |

Note:

1. The calibration interval of the above test instruments is 12 months and the calibrations are traceable to NML/ROC and NIST/USA.
2. The test was performed in 966 Chamber No. 4.
3. Tested Date: Mar. 25, 2020

For other test items:

| DESCRIPTION & MANUFACTURER | MODEL NO. | SERIAL NO. | CALIBRATED DATE | CALIBRATED UNTIL |
|--|----------------------------------|---------------|-----------------|------------------|
| Spectrum Analyzer R&S | FSV40 | 100964 | June 04, 2019 | June 03, 2020 |
| Power meter Anritsu | ML2495A | 1014008 | May 13, 2019 | May 12, 2020 |
| Power sensor Anritsu | MA2411B | 0917122 | May 13, 2019 | May 12, 2020 |
| Fixed Attenuator Mini-Circuits | MDCS18N-10 | MDCS18N-10-01 | Apr. 15, 2019 | Apr. 14, 2020 |
| DC Power Supply Topward | 6603D | 795558 | NA | NA |
| Temperature & Humidity Chamber Giant Force | GTH-150-40-SP-AR | MAA0812-008 | Jan. 16, 2020 | Jan. 15, 2021 |
| True RMS Clamp Meter FLUKE | 325 | 31130711WS | May 21, 2019 | May 20, 2020 |
| Software | ADT_RF Test Software V6.6.5.4 | NA | NA | NA |

- NOTE:**
1. The test was performed in Oven room 2.
 2. The calibration interval of the above test instruments is 12 months and the calibrations are traceable to NML/ROC and NIST/USA.
 3. Tested Date: Mar. 13 to 16, 2020

4.1.3 Test Procedure

For Radiated emission below 30MHz

- a. The EUT was placed on the top of a rotating table 0.8 meters above the ground at a 3 meter chamber room. The table was rotated 360 degrees to determine the position of the highest radiation.
- b. The EUT was set 3 meters away from the interference-receiving antenna, which was mounted on the top of a variable-height antenna tower.
- c. Parallel, perpendicular, and ground-parallel orientations of the antenna are set to make the measurement.
- d. For each suspected emission, the EUT was arranged to its worst case and the rotatable table was turned from 0 degrees to 360 degrees to find the maximum reading.
- e. The test-receiver system was set to Quasi-Peak Detect Function and Specified Bandwidth with Maximum Hold Mode.

Note:

1. The resolution bandwidth and video bandwidth of test receiver/spectrum analyzer is 9kHz at frequency below 30MHz.

For Radiated emission above 30MHz

- a. The EUT was placed on the top of a rotating table 0.8 meters (for 30MHz ~ 1GHz) / 1.5 meters (for above 1GHz) above the ground at 3 meter chamber room for test. The table was rotated 360 degrees to determine the position of the highest radiation.
- b. The EUT was set 3 meters away from the interference-receiving antenna, which was mounted on the top of a variable-height antenna tower.
- c. The height of antenna is varied from one meter to four meters above the ground to determine the maximum value of the field strength. Both horizontal and vertical polarizations of the antenna are set to make the measurement.
- d. For each suspected emission, the EUT was arranged to its worst case and then the antenna was tuned to heights from 1 meter to 4 meters and the rotatable table was turned from 0 degrees to 360 degrees to find the maximum reading.
- e. The test-receiver system was set to quasi-peak detect function and specified bandwidth with maximum hold mode when the test frequency is below 1 GHz.
- f. The test-receiver system was set to peak and average detects function and specified bandwidth with maximum hold mode when the test frequency is above 1 GHz. If the peak reading value also meets average limit, measurement with the average detector is unnecessary.

Note:

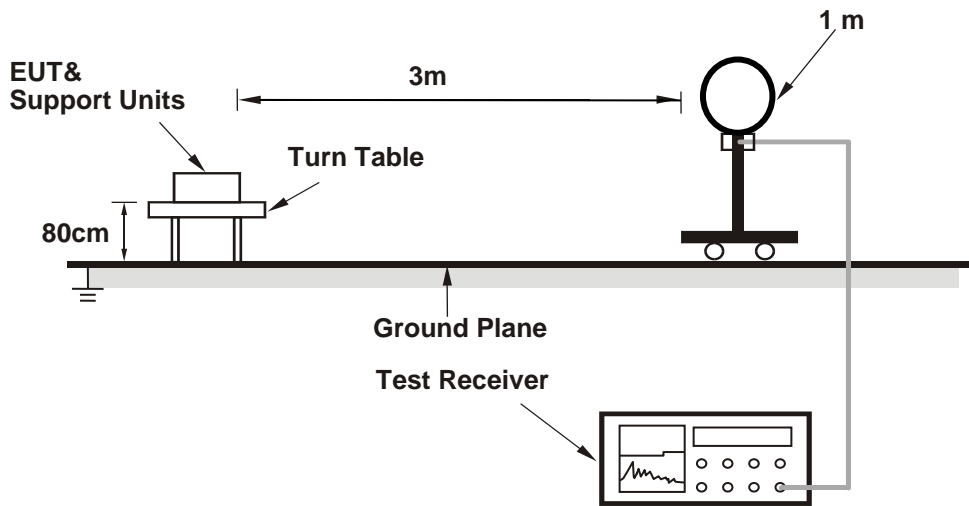
1. The resolution bandwidth and video bandwidth of test receiver/spectrum analyzer is 120kHz for Quasi-peak detection (QP) at frequency below 1GHz.
2. The resolution bandwidth of test receiver/spectrum analyzer is 1 MHz and the video bandwidth is 3 MHz for Peak detection (PK) at frequency above 1GHz.
3. The resolution bandwidth of test receiver/spectrum analyzer is 1MHz and the video bandwidth is $\geq 1/T$ (Duty cycle < 98%) or 10Hz (Duty cycle $\geq 98\%$) for Average detection (AV) at frequency above 1GHz.
4. All modes of operation were investigated and the worst-case emissions are reported.

4.1.4 Deviation from Test Standard

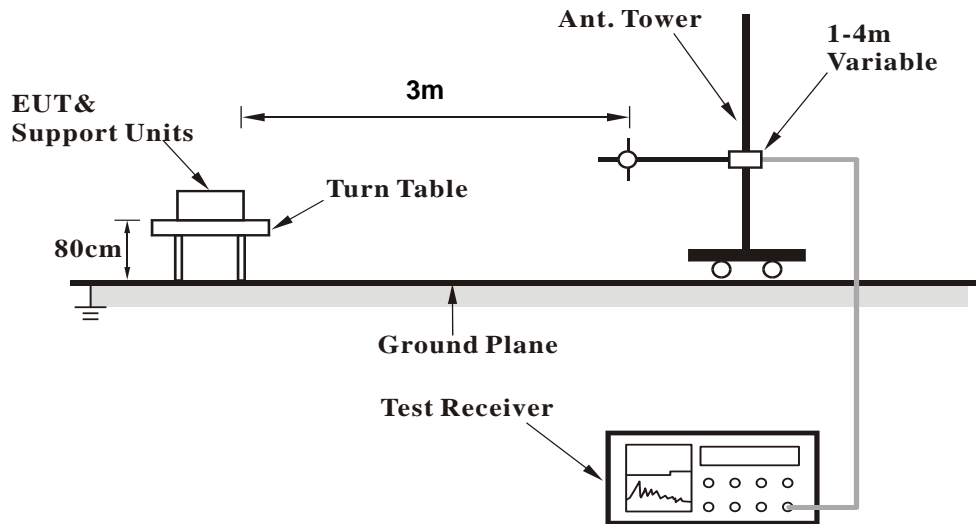
No deviation.

4.1.5 Test Setup

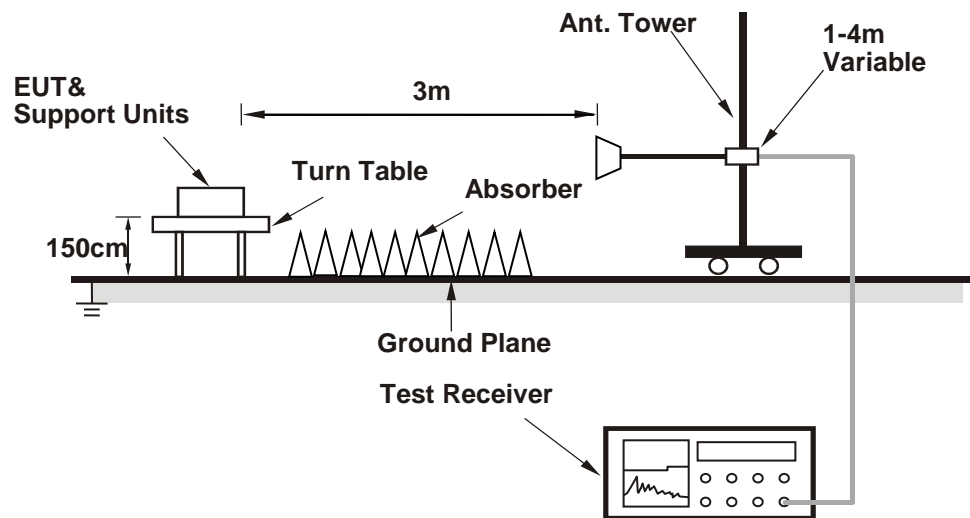
For Radiated emission below 30MHz



For Radiated emission 30MHz to 1GHz



For Radiated emission above 1GHz



For the actual test configuration, please refer to the attached file (Test Setup Photo).

4.1.6 EUT Operating Condition

- a. Connected the EUT with the Laptop which is placed on the testing table.
- b. Controlling software (Win7_MP_Kit_RTL11ac_8822CE_PCIE_v9.00_20191217) has been activated to set the EUT under transmission condition continuously.

4.1.7 Test Results (Mode 1)

Dipole Antenna
Above 1GHz Data:
802.11a

| | | | |
|------------------------|---------------|------------------------------|--------------|
| CHANNEL | TX Channel 36 | DETECTOR FUNCTION | Peak (PK) |
| FREQUENCY RANGE | 1GHz ~ 40GHz | | Average (AV) |

| ANTENNA POLARITY & TEST DISTANCE: HORIZONTAL AT 3 M | | | | | | | | |
|---|----------------|-------------------------------|-------------------|----------------|--------------------------|----------------------------|------------------------|--------------------------------|
| NO. | FREQ. (MHz) | EMISSION LEVEL (dBuV/m) | LIMIT (dBuV/m) | MARGIN (dB) | ANTENNA HEIGHT (m) | TABLE ANGLE (Degree) | RAW VALUE (dBuV) | CORRECTION FACTOR (dB/m) |
| 1 | 5150.00 | 54.0 PK | 74.0 | -20.0 | 1.28 H | 231 | 50.6 | 3.4 |
| 2 | 5150.00 | 41.8 AV | 54.0 | -12.2 | 1.28 H | 231 | 38.4 | 3.4 |
| 3 | *5180.00 | 109.9 PK | | | 1.28 H | 231 | 106.5 | 3.4 |
| 4 | *5180.00 | 97.6 AV | | | 1.28 H | 231 | 94.2 | 3.4 |
| 5 | #10360.00 | 52.4 PK | 68.2 | -15.8 | 1.18 H | 227 | 38.9 | 13.5 |
| 6 | 15540.00 | 53.0 PK | 74.0 | -21.0 | 1.70 H | 234 | 39.2 | 13.8 |
| 7 | 15540.00 | 41.6 AV | 54.0 | -12.4 | 1.70 H | 234 | 27.8 | 13.8 |

| ANTENNA POLARITY & TEST DISTANCE: VERTICAL AT 3 M | | | | | | | | |
|---|----------------|-------------------------------|-------------------|----------------|--------------------------|----------------------------|------------------------|--------------------------------|
| NO. | FREQ. (MHz) | EMISSION LEVEL (dBuV/m) | LIMIT (dBuV/m) | MARGIN (dB) | ANTENNA HEIGHT (m) | TABLE ANGLE (Degree) | RAW VALUE (dBuV) | CORRECTION FACTOR (dB/m) |
| 1 | 5150.00 | 68.5 PK | 74.0 | -5.5 | 1.78 V | 257 | 65.1 | 3.4 |
| 2 | 5150.00 | 51.4 AV | 54.0 | -2.6 | 1.78 V | 257 | 48.0 | 3.4 |
| 3 | *5180.00 | 113.8 PK | | | 1.78 V | 257 | 110.4 | 3.4 |
| 4 | *5180.00 | 101.9 AV | | | 1.78 V | 257 | 98.5 | 3.4 |
| 5 | #10360.00 | 51.5 PK | 68.2 | -16.7 | 2.30 V | 17 | 38.0 | 13.5 |
| 6 | 15540.00 | 52.9 PK | 74.0 | -21.1 | 1.49 V | 348 | 39.1 | 13.8 |
| 7 | 15540.00 | 41.4 AV | 54.0 | -12.6 | 1.49 V | 348 | 27.6 | 13.8 |

REMARKS:

1. Emission Level(dBuV/m) = Raw Value(dBuV) + Correction Factor(dB/m)
2. Correction Factor(dB/m) = Antenna Factor(dB/m) + Cable Factor(dB) – Pre-Amplifier Factor(dB)
3. The other emission levels were very low against the limit.
4. Margin value = Emission Level – Limit value
5. " * ": Fundamental frequency.
6. " # ": The radiated frequency is out of the restricted band.

| | | | |
|------------------------|---------------|------------------------------|--------------|
| CHANNEL | TX Channel 40 | DETECTOR FUNCTION | Peak (PK) |
| FREQUENCY RANGE | 1GHz ~ 40GHz | | Average (AV) |

ANTENNA POLARITY & TEST DISTANCE: HORIZONTAL AT 3 M

| NO. | FREQ. (MHz) | EMISSION LEVEL (dBuV/m) | LIMIT (dBuV/m) | MARGIN (dB) | ANTENNA HEIGHT (m) | TABLE ANGLE (Degree) | RAW VALUE (dBuV) | CORRECTION FACTOR (dB/m) |
|-----|----------------|-------------------------------|-------------------|----------------|--------------------------|----------------------------|------------------------|--------------------------------|
| 1 | 5150.00 | 49.7 PK | 74.0 | -24.3 | 1.27 H | 246 | 46.3 | 3.4 |
| 2 | 5150.00 | 37.9 AV | 54.0 | -16.1 | 1.27 H | 246 | 34.5 | 3.4 |
| 3 | *5200.00 | 109.8 PK | | | 1.27 H | 246 | 106.4 | 3.4 |
| 4 | *5200.00 | 98.5 AV | | | 1.27 H | 246 | 95.1 | 3.4 |
| 5 | #10400.00 | 51.8 PK | 68.2 | -16.4 | 1.14 H | 212 | 38.2 | 13.6 |
| 6 | 15600.00 | 53.3 PK | 74.0 | -20.7 | 1.75 H | 227 | 39.5 | 13.8 |
| 7 | 15600.00 | 41.9 AV | 54.0 | -12.1 | 1.75 H | 227 | 28.1 | 13.8 |

ANTENNA POLARITY & TEST DISTANCE: VERTICAL AT 3 M

| NO. | FREQ. (MHz) | EMISSION LEVEL (dBuV/m) | LIMIT (dBuV/m) | MARGIN (dB) | ANTENNA HEIGHT (m) | TABLE ANGLE (Degree) | RAW VALUE (dBuV) | CORRECTION FACTOR (dB/m) |
|-----|----------------|-------------------------------|-------------------|----------------|--------------------------|----------------------------|------------------------|--------------------------------|
| 1 | 5150.00 | 55.5 PK | 74.0 | -18.5 | 1.81 V | 233 | 52.1 | 3.4 |
| 2 | 5150.00 | 44.3 AV | 54.0 | -9.7 | 1.81 V | 233 | 40.9 | 3.4 |
| 3 | *5200.00 | 113.9 PK | | | 1.81 V | 233 | 110.5 | 3.4 |
| 4 | *5200.00 | 102.4 AV | | | 1.81 V | 233 | 99.0 | 3.4 |
| 5 | #10400.00 | 51.4 PK | 68.2 | -16.8 | 2.29 V | 12 | 37.8 | 13.6 |
| 6 | 15600.00 | 53.0 PK | 74.0 | -21.0 | 1.46 V | 349 | 39.2 | 13.8 |
| 7 | 15600.00 | 41.2 AV | 54.0 | -12.8 | 1.46 V | 349 | 27.4 | 13.8 |

REMARKS:

1. Emission Level(dBuV/m) = Raw Value(dBuV) + Correction Factor(dB/m)
2. Correction Factor(dB/m) = Antenna Factor(dB/m) + Cable Factor(dB) – Pre-Amplifier Factor(dB)
3. The other emission levels were very low against the limit.
4. Margin value = Emission Level – Limit value
5. " * ": Fundamental frequency.
6. " # ": The radiated frequency is out of the restricted band.

| | | | |
|------------------------|---------------|------------------------------|--------------|
| CHANNEL | TX Channel 48 | DETECTOR FUNCTION | Peak (PK) |
| FREQUENCY RANGE | 1GHz ~ 40GHz | | Average (AV) |

ANTENNA POLARITY & TEST DISTANCE: HORIZONTAL AT 3 M

| NO. | FREQ. (MHz) | EMISSION LEVEL (dBuV/m) | LIMIT (dBuV/m) | MARGIN (dB) | ANTENNA HEIGHT (m) | TABLE ANGLE (Degree) | RAW VALUE (dBuV) | CORRECTION FACTOR (dB/m) |
|-----|----------------|-------------------------------|-------------------|----------------|--------------------------|----------------------------|------------------------|--------------------------------|
| 1 | 5150.00 | 50.6 PK | 74.0 | -23.4 | 1.26 H | 229 | 47.2 | 3.4 |
| 2 | 5150.00 | 38.1 AV | 54.0 | -15.9 | 1.26 H | 229 | 34.7 | 3.4 |
| 3 | *5240.00 | 110.1 PK | | | 1.26 H | 229 | 106.8 | 3.3 |
| 4 | *5240.00 | 98.4 AV | | | 1.26 H | 229 | 95.1 | 3.3 |
| 5 | 5350.00 | 49.8 PK | 74.0 | -24.2 | 1.26 H | 229 | 46.4 | 3.4 |
| 6 | 5350.00 | 37.9 AV | 54.0 | -16.1 | 1.26 H | 229 | 34.5 | 3.4 |
| 7 | #10480.00 | 51.9 PK | 68.2 | -16.3 | 1.21 H | 219 | 38.1 | 13.8 |
| 8 | 15720.00 | 52.6 PK | 74.0 | -21.4 | 1.68 H | 223 | 38.8 | 13.8 |
| 9 | 15720.00 | 41.2 AV | 54.0 | -12.8 | 1.68 H | 223 | 27.4 | 13.8 |

ANTENNA POLARITY & TEST DISTANCE: VERTICAL AT 3 M

| NO. | FREQ. (MHz) | EMISSION LEVEL (dBuV/m) | LIMIT (dBuV/m) | MARGIN (dB) | ANTENNA HEIGHT (m) | TABLE ANGLE (Degree) | RAW VALUE (dBuV) | CORRECTION FACTOR (dB/m) |
|-----|----------------|-------------------------------|-------------------|----------------|--------------------------|----------------------------|------------------------|--------------------------------|
| 1 | 5150.00 | 49.7 PK | 74.0 | -24.3 | 1.94 V | 235 | 46.3 | 3.4 |
| 2 | 5150.00 | 39.6 AV | 54.0 | -14.4 | 1.94 V | 235 | 36.2 | 3.4 |
| 3 | *5240.00 | 114.3 PK | | | 1.94 V | 235 | 111.0 | 3.3 |
| 4 | *5240.00 | 102.6 AV | | | 1.94 V | 235 | 99.3 | 3.3 |
| 5 | 5350.00 | 48.9 PK | 74.0 | -25.1 | 1.94 V | 235 | 45.5 | 3.4 |
| 6 | 5350.00 | 42.3 AV | 54.0 | -11.7 | 1.94 V | 235 | 38.9 | 3.4 |
| 7 | #10480.00 | 51.3 PK | 68.2 | -16.9 | 2.34 V | 14 | 37.5 | 13.8 |
| 8 | 15720.00 | 53.5 PK | 74.0 | -20.5 | 1.50 V | 353 | 39.7 | 13.8 |
| 9 | 15720.00 | 41.8 AV | 54.0 | -12.2 | 1.50 V | 353 | 28.0 | 13.8 |

REMARKS:

1. Emission Level(dBuV/m) = Raw Value(dBuV) + Correction Factor(dB/m)
2. Correction Factor(dB/m) = Antenna Factor(dB/m) + Cable Factor(dB) – Pre-Amplifier Factor(dB)
3. The other emission levels were very low against the limit.
4. Margin value = Emission Level – Limit value
5. " * ": Fundamental frequency.
6. " # ": The radiated frequency is out of the restricted band.

| | | | |
|------------------------|---------------|------------------------------|--------------|
| CHANNEL | TX Channel 52 | DETECTOR FUNCTION | Peak (PK) |
| FREQUENCY RANGE | 1GHz ~ 40GHz | | Average (AV) |

ANTENNA POLARITY & TEST DISTANCE: HORIZONTAL AT 3 M

| NO. | FREQ. (MHz) | EMISSION LEVEL (dBuV/m) | LIMIT (dBuV/m) | MARGIN (dB) | ANTENNA HEIGHT (m) | TABLE ANGLE (Degree) | RAW VALUE (dBuV) | CORRECTION FACTOR (dB/m) |
|-----|----------------|-------------------------------|-------------------|----------------|--------------------------|----------------------------|------------------------|--------------------------------|
| 1 | 5150.00 | 49.5 PK | 74.0 | -24.5 | 1.25 H | 239 | 46.1 | 3.4 |
| 2 | 5150.00 | 38.2 AV | 54.0 | -15.8 | 1.25 H | 239 | 34.8 | 3.4 |
| 3 | *5260.00 | 109.6 PK | | | 1.25 H | 239 | 106.4 | 3.2 |
| 4 | *5260.00 | 97.5 AV | | | 1.25 H | 239 | 94.3 | 3.2 |
| 5 | 5350.00 | 50.5 PK | 74.0 | -23.5 | 1.25 H | 239 | 47.1 | 3.4 |
| 6 | 5350.00 | 38.5 AV | 54.0 | -15.5 | 1.25 H | 239 | 35.1 | 3.4 |
| 7 | #10520.00 | 52.8 PK | 68.2 | -15.4 | 1.14 H | 235 | 38.9 | 13.9 |
| 8 | 15780.00 | 52.4 PK | 74.0 | -21.6 | 1.65 H | 247 | 38.7 | 13.7 |
| 9 | 15780.00 | 41.2 AV | 54.0 | -12.8 | 1.65 H | 247 | 27.5 | 13.7 |

ANTENNA POLARITY & TEST DISTANCE: VERTICAL AT 3 M

| NO. | FREQ. (MHz) | EMISSION LEVEL (dBuV/m) | LIMIT (dBuV/m) | MARGIN (dB) | ANTENNA HEIGHT (m) | TABLE ANGLE (Degree) | RAW VALUE (dBuV) | CORRECTION FACTOR (dB/m) |
|-----|----------------|-------------------------------|-------------------|----------------|--------------------------|----------------------------|------------------------|--------------------------------|
| 1 | 5150.00 | 49.9 PK | 74.0 | -24.1 | 1.64 V | 241 | 46.5 | 3.4 |
| 2 | 5150.00 | 41.0 AV | 54.0 | -13.0 | 1.64 V | 241 | 37.6 | 3.4 |
| 3 | *5260.00 | 113.7 PK | | | 1.64 V | 241 | 110.5 | 3.2 |
| 4 | *5260.00 | 101.7 AV | | | 1.64 V | 241 | 98.5 | 3.2 |
| 5 | 5350.00 | 51.3 PK | 74.0 | -22.7 | 1.64 V | 241 | 47.9 | 3.4 |
| 6 | 5350.00 | 40.8 AV | 54.0 | -13.2 | 1.64 V | 241 | 37.4 | 3.4 |
| 7 | #10520.00 | 51.1 PK | 68.2 | -17.1 | 2.31 V | 9 | 37.2 | 13.9 |
| 8 | 15780.00 | 52.7 PK | 74.0 | -21.3 | 1.43 V | 357 | 39.0 | 13.7 |
| 9 | 15780.00 | 41.4 AV | 54.0 | -12.6 | 1.43 V | 357 | 27.7 | 13.7 |

REMARKS:

1. Emission Level(dBuV/m) = Raw Value(dBuV) + Correction Factor(dB/m)
2. Correction Factor(dB/m) = Antenna Factor(dB/m) + Cable Factor(dB) – Pre-Amplifier Factor(dB)
3. The other emission levels were very low against the limit.
4. Margin value = Emission Level – Limit value
5. " * ": Fundamental frequency.
6. " # ": The radiated frequency is out of the restricted band.

| | | | |
|------------------------|---------------|------------------------------|--------------|
| CHANNEL | TX Channel 60 | DETECTOR FUNCTION | Peak (PK) |
| FREQUENCY RANGE | 1GHz ~ 40GHz | | Average (AV) |

ANTENNA POLARITY & TEST DISTANCE: HORIZONTAL AT 3 M

| NO. | FREQ. (MHz) | EMISSION LEVEL (dBuV/m) | LIMIT (dBuV/m) | MARGIN (dB) | ANTENNA HEIGHT (m) | TABLE ANGLE (Degree) | RAW VALUE (dBuV) | CORRECTION FACTOR (dB/m) |
|-----|----------------|-------------------------------|-------------------|----------------|--------------------------|----------------------------|------------------------|--------------------------------|
| 1 | *5300.00 | 110.1 PK | | | 1.26 H | 224 | 106.8 | 3.3 |
| 2 | *5300.00 | 98.2 AV | | | 1.26 H | 224 | 94.9 | 3.3 |
| 3 | 5350.00 | 50.8 PK | 74.0 | -23.2 | 1.26 H | 224 | 47.4 | 3.4 |
| 4 | 5350.00 | 38.2 AV | 54.0 | -15.8 | 1.26 H | 224 | 34.8 | 3.4 |
| 5 | 10600.00 | 52.2 PK | 74.0 | -21.8 | 1.20 H | 218 | 38.7 | 13.5 |
| 6 | 10600.00 | 41.1 AV | 54.0 | -12.9 | 1.20 H | 218 | 27.6 | 13.5 |
| 7 | 15900.00 | 52.7 PK | 74.0 | -21.3 | 1.64 H | 220 | 39.4 | 13.3 |
| 8 | 15900.00 | 41.3 AV | 54.0 | -12.7 | 1.64 H | 220 | 28.0 | 13.3 |

ANTENNA POLARITY & TEST DISTANCE: VERTICAL AT 3 M

| NO. | FREQ. (MHz) | EMISSION LEVEL (dBuV/m) | LIMIT (dBuV/m) | MARGIN (dB) | ANTENNA HEIGHT (m) | TABLE ANGLE (Degree) | RAW VALUE (dBuV) | CORRECTION FACTOR (dB/m) |
|-----|----------------|-------------------------------|-------------------|----------------|--------------------------|----------------------------|------------------------|--------------------------------|
| 1 | *5300.00 | 114.5 PK | | | 1.96 V | 238 | 111.2 | 3.3 |
| 2 | *5300.00 | 102.3 AV | | | 1.96 V | 238 | 99.0 | 3.3 |
| 3 | 5350.00 | 58.9 PK | 74.0 | -15.1 | 1.96 V | 238 | 55.5 | 3.4 |
| 4 | 5350.00 | 44.8 AV | 54.0 | -9.2 | 1.96 V | 238 | 41.4 | 3.4 |
| 5 | 10600.00 | 51.4 PK | 74.0 | -22.6 | 2.30 V | 12 | 37.9 | 13.5 |
| 6 | 10600.00 | 40.4 AV | 54.0 | -13.6 | 2.30 V | 12 | 26.9 | 13.5 |
| 7 | 15900.00 | 52.5 PK | 74.0 | -21.5 | 1.44 V | 344 | 39.2 | 13.3 |
| 8 | 15900.00 | 41.0 AV | 54.0 | -13.0 | 1.44 V | 344 | 27.7 | 13.3 |

REMARKS:

1. Emission Level(dBuV/m) = Raw Value(dBuV) + Correction Factor(dB/m)
2. Correction Factor(dB/m) = Antenna Factor(dB/m) + Cable Factor(dB) – Pre-Amplifier Factor(dB)
3. The other emission levels were very low against the limit.
4. Margin value = Emission Level – Limit value
5. " * ": Fundamental frequency.

| | | | |
|------------------------|---------------|------------------------------|--------------|
| CHANNEL | TX Channel 64 | DETECTOR FUNCTION | Peak (PK) |
| FREQUENCY RANGE | 1GHz ~ 40GHz | | Average (AV) |

ANTENNA POLARITY & TEST DISTANCE: HORIZONTAL AT 3 M

| NO. | FREQ. (MHz) | EMISSION LEVEL (dBuV/m) | LIMIT (dBuV/m) | MARGIN (dB) | ANTENNA HEIGHT (m) | TABLE ANGLE (Degree) | RAW VALUE (dBuV) | CORRECTION FACTOR (dB/m) |
|-----|----------------|-------------------------------|-------------------|----------------|--------------------------|----------------------------|------------------------|--------------------------------|
| 1 | *5320.00 | 109.4 PK | | | 1.22 H | 217 | 106.1 | 3.3 |
| 2 | *5320.00 | 97.5 AV | | | 1.22 H | 217 | 94.2 | 3.3 |
| 3 | 5350.00 | 51.9 PK | 74.0 | -22.1 | 1.22 H | 217 | 48.5 | 3.4 |
| 4 | 5350.00 | 40.1 AV | 54.0 | -13.9 | 1.22 H | 217 | 36.7 | 3.4 |
| 5 | 10640.00 | 52.3 PK | 74.0 | -21.7 | 1.13 H | 222 | 38.6 | 13.7 |
| 6 | 10640.00 | 41.1 AV | 54.0 | -12.9 | 1.13 H | 222 | 27.4 | 13.7 |
| 7 | 15960.00 | 53.3 PK | 74.0 | -20.7 | 1.75 H | 240 | 39.7 | 13.6 |
| 8 | 15960.00 | 41.9 AV | 54.0 | -12.1 | 1.75 H | 240 | 28.3 | 13.6 |

ANTENNA POLARITY & TEST DISTANCE: VERTICAL AT 3 M

| NO. | FREQ. (MHz) | EMISSION LEVEL (dBuV/m) | LIMIT (dBuV/m) | MARGIN (dB) | ANTENNA HEIGHT (m) | TABLE ANGLE (Degree) | RAW VALUE (dBuV) | CORRECTION FACTOR (dB/m) |
|-----|----------------|-------------------------------|-------------------|----------------|--------------------------|----------------------------|------------------------|--------------------------------|
| 1 | *5320.00 | 113.2 PK | | | 1.42 V | 240 | 109.9 | 3.3 |
| 2 | *5320.00 | 101.3 AV | | | 1.42 V | 240 | 98.0 | 3.3 |
| 3 | 5350.00 | 69.9 PK | 74.0 | -4.1 | 1.42 V | 240 | 66.5 | 3.4 |
| 4 | 5350.00 | 52.2 AV | 54.0 | -1.8 | 1.42 V | 240 | 48.8 | 3.4 |
| 5 | 10640.00 | 51.3 PK | 74.0 | -22.7 | 2.35 V | 7 | 37.6 | 13.7 |
| 6 | 10640.00 | 40.7 AV | 54.0 | -13.3 | 2.35 V | 7 | 27.0 | 13.7 |
| 7 | 15960.00 | 52.9 PK | 74.0 | -21.1 | 1.49 V | 340 | 39.3 | 13.6 |
| 8 | 15960.00 | 41.7 AV | 54.0 | -12.3 | 1.49 V | 340 | 28.1 | 13.6 |

REMARKS:

1. Emission Level(dBuV/m) = Raw Value(dBuV) + Correction Factor(dB/m)
2. Correction Factor(dB/m) = Antenna Factor(dB/m) + Cable Factor(dB) – Pre-Amplifier Factor(dB)
3. The other emission levels were very low against the limit.
4. Margin value = Emission Level – Limit value
5. " * ": Fundamental frequency.

| | | | |
|------------------------|----------------|--------------------------|--------------|
| CHANNEL | TX Channel 100 | DETECTOR FUNCTION | Peak (PK) |
| FREQUENCY RANGE | 1GHz ~ 40GHz | | Average (AV) |

ANTENNA POLARITY & TEST DISTANCE: HORIZONTAL AT 3 M

| NO. | FREQ. (MHz) | EMISSION LEVEL (dBuV/m) | LIMIT (dBuV/m) | MARGIN (dB) | ANTENNA HEIGHT (m) | TABLE ANGLE (Degree) | RAW VALUE (dBuV) | CORRECTION FACTOR (dB/m) |
|-----|-------------|-------------------------|----------------|-------------|--------------------|----------------------|------------------|--------------------------|
| 1 | 5460.00 | 51.0 PK | 74.0 | -23.0 | 1.28 H | 207 | 47.4 | 3.6 |
| 2 | 5460.00 | 38.2 AV | 54.0 | -15.8 | 1.28 H | 207 | 34.6 | 3.6 |
| 3 | #5470.00 | 51.2 PK | 68.2 | -17.0 | 1.28 H | 207 | 47.6 | 3.6 |
| 4 | *5500.00 | 108.6 PK | | | 1.28 H | 207 | 104.9 | 3.7 |
| 5 | *5500.00 | 97.1 AV | | | 1.28 H | 207 | 93.4 | 3.7 |
| 6 | 11000.00 | 52.1 PK | 74.0 | -21.9 | 1.14 H | 227 | 38.1 | 14.0 |
| 7 | 11000.00 | 40.9 AV | 54.0 | -13.1 | 1.14 H | 227 | 26.9 | 14.0 |
| 8 | #16500.00 | 53.0 PK | 68.2 | -15.2 | 1.71 H | 234 | 37.2 | 15.8 |

ANTENNA POLARITY & TEST DISTANCE: VERTICAL AT 3 M

| NO. | FREQ. (MHz) | EMISSION LEVEL (dBuV/m) | LIMIT (dBuV/m) | MARGIN (dB) | ANTENNA HEIGHT (m) | TABLE ANGLE (Degree) | RAW VALUE (dBuV) | CORRECTION FACTOR (dB/m) |
|-----|-------------|-------------------------|----------------|-------------|--------------------|----------------------|------------------|--------------------------|
| 1 | 5460.00 | 58.6 PK | 74.0 | -15.4 | 1.72 V | 360 | 55.0 | 3.6 |
| 2 | 5460.00 | 41.7 AV | 54.0 | -12.3 | 1.72 V | 360 | 38.1 | 3.6 |
| 3 | #5470.00 | 66.4 PK | 68.2 | -1.8 | 1.72 V | 360 | 62.8 | 3.6 |
| 4 | *5500.00 | 112.5 PK | | | 1.72 V | 360 | 108.8 | 3.7 |
| 5 | *5500.00 | 101.2 AV | | | 1.72 V | 360 | 97.5 | 3.7 |
| 6 | 11000.00 | 51.2 PK | 74.0 | -22.8 | 2.31 V | 17 | 37.2 | 14.0 |
| 7 | 11000.00 | 40.3 AV | 54.0 | -13.7 | 2.31 V | 17 | 26.3 | 14.0 |
| 8 | #16500.00 | 53.0 PK | 68.2 | -15.2 | 1.54 V | 348 | 37.2 | 15.8 |

REMARKS:

1. Emission Level(dBuV/m) = Raw Value(dBuV) + Correction Factor(dB/m)
2. Correction Factor(dB/m) = Antenna Factor(dB/m) + Cable Factor(dB) – Pre-Amplifier Factor(dB)
3. The other emission levels were very low against the limit.
4. Margin value = Emission Level – Limit value
5. " * ": Fundamental frequency.
6. " # ": The radiated frequency is out of the restricted band.

| | | | |
|------------------------|----------------|--------------------------|--------------|
| CHANNEL | TX Channel 116 | DETECTOR FUNCTION | Peak (PK) |
| FREQUENCY RANGE | 1GHz ~ 40GHz | | Average (AV) |

ANTENNA POLARITY & TEST DISTANCE: HORIZONTAL AT 3 M

| NO. | FREQ. (MHz) | EMISSION LEVEL (dBuV/m) | LIMIT (dBuV/m) | MARGIN (dB) | ANTENNA HEIGHT (m) | TABLE ANGLE (Degree) | RAW VALUE (dBuV) | CORRECTION FACTOR (dB/m) |
|-----|-------------|-------------------------|----------------|-------------|--------------------|----------------------|------------------|--------------------------|
| 1 | 5460.00 | 49.7 PK | 74.0 | -24.3 | 1.34 H | 214 | 46.1 | 3.6 |
| 2 | 5460.00 | 37.7 AV | 54.0 | -16.3 | 1.34 H | 214 | 34.1 | 3.6 |
| 3 | #5470.00 | 49.4 PK | 68.2 | -18.8 | 1.34 H | 214 | 45.8 | 3.6 |
| 4 | *5580.00 | 109.7 PK | | | 1.34 H | 214 | 105.9 | 3.8 |
| 5 | *5580.00 | 98.6 AV | | | 1.34 H | 214 | 94.8 | 3.8 |
| 6 | 11160.00 | 53.0 PK | 74.0 | -21.0 | 1.19 H | 237 | 39.3 | 13.7 |
| 7 | 11160.00 | 41.5 AV | 54.0 | -12.5 | 1.19 H | 237 | 27.8 | 13.7 |
| 8 | #16740.00 | 52.9 PK | 68.2 | -15.3 | 1.73 H | 244 | 35.9 | 17.0 |

ANTENNA POLARITY & TEST DISTANCE: VERTICAL AT 3 M

| NO. | FREQ. (MHz) | EMISSION LEVEL (dBuV/m) | LIMIT (dBuV/m) | MARGIN (dB) | ANTENNA HEIGHT (m) | TABLE ANGLE (Degree) | RAW VALUE (dBuV) | CORRECTION FACTOR (dB/m) |
|-----|-------------|-------------------------|----------------|-------------|--------------------|----------------------|------------------|--------------------------|
| 1 | 5460.00 | 50.8 PK | 74.0 | -23.2 | 1.79 V | 360 | 47.2 | 3.6 |
| 2 | 5460.00 | 40.4 AV | 54.0 | -13.6 | 1.79 V | 360 | 36.8 | 3.6 |
| 3 | #5470.00 | 51.2 PK | 68.2 | -17.0 | 1.79 V | 360 | 47.6 | 3.6 |
| 4 | *5580.00 | 113.9 PK | | | 1.79 V | 360 | 110.1 | 3.8 |
| 5 | *5580.00 | 102.9 AV | | | 1.79 V | 360 | 99.1 | 3.8 |
| 6 | 11160.00 | 51.4 PK | 74.0 | -22.6 | 2.34 V | 29 | 37.7 | 13.7 |
| 7 | 11160.00 | 40.9 AV | 54.0 | -13.1 | 2.34 V | 29 | 27.2 | 13.7 |
| 8 | #16740.00 | 52.9 PK | 68.2 | -15.3 | 1.46 V | 343 | 35.9 | 17.0 |

REMARKS:

1. Emission Level(dBuV/m) = Raw Value(dBuV) + Correction Factor(dB/m)
2. Correction Factor(dB/m) = Antenna Factor(dB/m) + Cable Factor(dB) – Pre-Amplifier Factor(dB)
3. The other emission levels were very low against the limit.
4. Margin value = Emission Level – Limit value
5. " * ": Fundamental frequency.
6. " # ": The radiated frequency is out of the restricted band.

| | | | |
|------------------------|----------------|------------------------------|--------------|
| CHANNEL | TX Channel 140 | DETECTOR FUNCTION | Peak (PK) |
| FREQUENCY RANGE | 1GHz ~ 40GHz | | Average (AV) |

ANTENNA POLARITY & TEST DISTANCE: HORIZONTAL AT 3 M

| NO. | FREQ. (MHz) | EMISSION LEVEL (dBuV/m) | LIMIT (dBuV/m) | MARGIN (dB) | ANTENNA HEIGHT (m) | TABLE ANGLE (Degree) | RAW VALUE (dBuV) | CORRECTION FACTOR (dB/m) |
|-----|----------------|-------------------------------|-------------------|----------------|--------------------------|----------------------------|------------------------|--------------------------------|
| 1 | *5700.00 | 105.4 PK | | | 1.31 H | 218 | 101.2 | 4.2 |
| 2 | *5700.00 | 95.1 AV | | | 1.31 H | 218 | 90.9 | 4.2 |
| 3 | #5725.00 | 54.8 PK | 68.2 | -13.4 | 1.31 H | 218 | 50.6 | 4.2 |
| 4 | 11400.00 | 52.9 PK | 74.0 | -21.1 | 1.22 H | 244 | 38.6 | 14.3 |
| 5 | 11400.00 | 41.6 AV | 54.0 | -12.4 | 1.22 H | 244 | 27.3 | 14.3 |
| 6 | #17100.00 | 53.0 PK | 68.2 | -15.2 | 1.70 H | 240 | 35.3 | 17.7 |

ANTENNA POLARITY & TEST DISTANCE: VERTICAL AT 3 M

| NO. | FREQ. (MHz) | EMISSION LEVEL (dBuV/m) | LIMIT (dBuV/m) | MARGIN (dB) | ANTENNA HEIGHT (m) | TABLE ANGLE (Degree) | RAW VALUE (dBuV) | CORRECTION FACTOR (dB/m) |
|-----|----------------|-------------------------------|-------------------|----------------|--------------------------|----------------------------|------------------------|--------------------------------|
| 1 | *5700.00 | 111.4 PK | | | 1.79 V | 38 | 107.2 | 4.2 |
| 2 | *5700.00 | 99.3 AV | | | 1.79 V | 38 | 95.1 | 4.2 |
| 3 | #5725.00 | 64.5 PK | 68.2 | -3.7 | 1.79 V | 38 | 60.3 | 4.2 |
| 4 | 11400.00 | 51.2 PK | 74.0 | -22.8 | 2.34 V | 12 | 36.9 | 14.3 |
| 5 | 11400.00 | 40.3 AV | 54.0 | -13.7 | 2.34 V | 12 | 26.0 | 14.3 |
| 6 | #17100.00 | 52.4 PK | 68.2 | -15.8 | 1.46 V | 333 | 34.7 | 17.7 |

REMARKS:

1. Emission Level(dBuV/m) = Raw Value(dBuV) + Correction Factor(dB/m)
2. Correction Factor(dB/m) = Antenna Factor(dB/m) + Cable Factor(dB) – Pre-Amplifier Factor(dB)
3. The other emission levels were very low against the limit.
4. Margin value = Emission Level – Limit value
5. " * ": Fundamental frequency.
6. " # ": The radiated frequency is out of the restricted band.

| | | | |
|------------------------|----------------|------------------------------|--------------|
| CHANNEL | TX Channel 144 | DETECTOR FUNCTION | Peak (PK) |
| FREQUENCY RANGE | 1GHz ~ 40GHz | | Average (AV) |

ANTENNA POLARITY & TEST DISTANCE: HORIZONTAL AT 3 M

| NO. | FREQ. (MHz) | EMISSION LEVEL (dBuV/m) | LIMIT (dBuV/m) | MARGIN (dB) | ANTENNA HEIGHT (m) | TABLE ANGLE (Degree) | RAW VALUE (dBuV) | CORRECTION FACTOR (dB/m) |
|-----|----------------|-------------------------------|-------------------|----------------|--------------------------|----------------------------|------------------------|--------------------------------|
| 1 | 5460.00 | 49.0 PK | 74.0 | -25.0 | 1.33 H | 215 | 45.4 | 3.6 |
| 2 | 5460.00 | 38.0 AV | 54.0 | -16.0 | 1.33 H | 215 | 34.4 | 3.6 |
| 3 | #5470.00 | 49.2 PK | 68.2 | -19.0 | 1.33 H | 215 | 45.6 | 3.6 |
| 4 | *5720.00 | 105.8 PK | | | 1.33 H | 215 | 101.6 | 4.2 |
| 5 | *5720.00 | 95.2 AV | | | 1.33 H | 215 | 91.0 | 4.2 |
| 6 | #5850.00 | 49.7 PK | 68.2 | -18.5 | 1.33 H | 215 | 45.2 | 4.5 |
| 7 | 11440.00 | 53.5 PK | 74.0 | -20.5 | 1.21 H | 250 | 39.2 | 14.3 |
| 8 | 11440.00 | 41.8 AV | 54.0 | -12.2 | 1.21 H | 250 | 27.5 | 14.3 |
| 9 | #17160.00 | 53.2 PK | 68.2 | -15.0 | 1.77 H | 239 | 35.7 | 17.5 |

ANTENNA POLARITY & TEST DISTANCE: VERTICAL AT 3 M

| NO. | FREQ. (MHz) | EMISSION LEVEL (dBuV/m) | LIMIT (dBuV/m) | MARGIN (dB) | ANTENNA HEIGHT (m) | TABLE ANGLE (Degree) | RAW VALUE (dBuV) | CORRECTION FACTOR (dB/m) |
|-----|----------------|-------------------------------|-------------------|----------------|--------------------------|----------------------------|------------------------|--------------------------------|
| 1 | 5460.00 | 50.2 PK | 74.0 | -23.8 | 2.58 V | 38 | 46.6 | 3.6 |
| 2 | 5460.00 | 38.9 AV | 54.0 | -15.1 | 2.58 V | 38 | 35.3 | 3.6 |
| 3 | #5470.00 | 49.3 PK | 68.2 | -18.9 | 2.58 V | 38 | 45.7 | 3.6 |
| 4 | *5720.00 | 110.2 PK | | | 2.58 V | 38 | 106.0 | 4.2 |
| 5 | *5720.00 | 99.8 AV | | | 2.58 V | 38 | 95.6 | 4.2 |
| 6 | #5850.00 | 49.9 PK | 68.2 | -18.3 | 2.58 V | 38 | 45.4 | 4.5 |
| 7 | 11440.00 | 51.2 PK | 74.0 | -22.8 | 2.33 V | 4 | 36.9 | 14.3 |
| 8 | 11440.00 | 40.6 AV | 54.0 | -13.4 | 2.33 V | 4 | 26.3 | 14.3 |
| 9 | #17160.00 | 52.6 PK | 68.2 | -15.6 | 1.54 V | 350 | 35.1 | 17.5 |

REMARKS:

1. Emission Level(dBuV/m) = Raw Value(dBuV) + Correction Factor(dB/m)
2. Correction Factor(dB/m) = Antenna Factor(dB/m) + Cable Factor(dB) – Pre-Amplifier Factor(dB)
3. The other emission levels were very low against the limit.
4. Margin value = Emission Level – Limit value
5. " * ": Fundamental frequency.
6. " # ": The radiated frequency is out of the restricted band.

| | | | |
|------------------------|----------------|--------------------------|--------------|
| CHANNEL | TX Channel 149 | DETECTOR FUNCTION | Peak (PK) |
| FREQUENCY RANGE | 1GHz ~ 40GHz | | Average (AV) |

ANTENNA POLARITY & TEST DISTANCE: HORIZONTAL AT 3 M

| NO. | FREQ. (MHz) | EMISSION LEVEL (dBuV/m) | LIMIT (dBuV/m) | MARGIN (dB) | ANTENNA HEIGHT (m) | TABLE ANGLE (Degree) | RAW VALUE (dBuV) | CORRECTION FACTOR (dB/m) |
|-----|-------------|-------------------------|----------------|-------------|--------------------|----------------------|------------------|--------------------------|
| 1 | #5631.09 | 48.5 PK | 68.2 | -19.7 | 1.64 H | 164 | 44.7 | 3.8 |
| 2 | *5745.00 | 100.3 PK | | | 1.64 H | 164 | 96.1 | 4.2 |
| 3 | *5745.00 | 90.6 AV | | | 1.64 H | 164 | 86.4 | 4.2 |
| 4 | #6020.49 | 48.7 PK | 68.2 | -19.5 | 1.64 H | 164 | 44.2 | 4.5 |
| 5 | 11490.00 | 53.5 PK | 74.0 | -20.5 | 1.16 H | 239 | 39.2 | 14.3 |
| 6 | 11490.00 | 41.9 AV | 54.0 | -12.1 | 1.16 H | 239 | 27.6 | 14.3 |
| 7 | #17235.00 | 52.7 PK | 68.2 | -15.5 | 1.77 H | 248 | 35.4 | 17.3 |

ANTENNA POLARITY & TEST DISTANCE: VERTICAL AT 3 M

| NO. | FREQ. (MHz) | EMISSION LEVEL (dBuV/m) | LIMIT (dBuV/m) | MARGIN (dB) | ANTENNA HEIGHT (m) | TABLE ANGLE (Degree) | RAW VALUE (dBuV) | CORRECTION FACTOR (dB/m) |
|-----|-------------|-------------------------|----------------|-------------|--------------------|----------------------|------------------|--------------------------|
| 1 | #5581.88 | 52.5 PK | 68.2 | -15.7 | 2.32 V | 86 | 48.7 | 3.8 |
| 2 | *5745.00 | 113.3 PK | | | 2.32 V | 86 | 109.1 | 4.2 |
| 3 | *5745.00 | 101.9 AV | | | 2.32 V | 86 | 97.7 | 4.2 |
| 4 | #5994.64 | 51.2 PK | 68.2 | -17.0 | 2.32 V | 86 | 46.7 | 4.5 |
| 5 | 11490.00 | 51.6 PK | 74.0 | -22.4 | 2.32 V | 2 | 37.3 | 14.3 |
| 6 | 11490.00 | 40.8 AV | 54.0 | -13.2 | 2.32 V | 2 | 26.5 | 14.3 |
| 7 | #17235.00 | 52.6 PK | 68.2 | -15.6 | 1.47 V | 339 | 35.3 | 17.3 |

REMARKS:

1. Emission Level(dBuV/m) = Raw Value(dBuV) + Correction Factor(dB/m)
2. Correction Factor(dB/m) = Antenna Factor(dB/m) + Cable Factor(dB) – Pre-Amplifier Factor(dB)
3. The other emission levels were very low against the limit.
4. Margin value = Emission Level – Limit value
5. " * ": Fundamental frequency.
6. " # ": The radiated frequency is out of the restricted band.

| | | | |
|------------------------|----------------|------------------------------|--------------|
| CHANNEL | TX Channel 157 | DETECTOR FUNCTION | Peak (PK) |
| FREQUENCY RANGE | 1GHz ~ 40GHz | | Average (AV) |

ANTENNA POLARITY & TEST DISTANCE: HORIZONTAL AT 3 M

| NO. | FREQ. (MHz) | EMISSION LEVEL (dBuV/m) | LIMIT (dBuV/m) | MARGIN (dB) | ANTENNA HEIGHT (m) | TABLE ANGLE (Degree) | RAW VALUE (dBuV) | CORRECTION FACTOR (dB/m) |
|-----|----------------|-------------------------------|-------------------|----------------|--------------------------|----------------------------|------------------------|--------------------------------|
| 1 | #5608.20 | 48.5 PK | 68.2 | -19.7 | 1.76 H | 166 | 44.7 | 3.8 |
| 2 | *5785.00 | 101.4 PK | | | 1.76 H | 166 | 97.1 | 4.3 |
| 3 | *5785.00 | 91.3 AV | | | 1.76 H | 166 | 87.0 | 4.3 |
| 4 | #6002.46 | 48.1 PK | 68.2 | -20.1 | 1.76 H | 166 | 43.6 | 4.5 |
| 5 | 11570.00 | 52.7 PK | 74.0 | -21.3 | 1.22 H | 242 | 38.6 | 14.1 |
| 6 | 11570.00 | 41.1 AV | 54.0 | -12.9 | 1.22 H | 242 | 27.0 | 14.1 |
| 7 | #17355.00 | 52.9 PK | 68.2 | -15.3 | 1.79 H | 228 | 35.3 | 17.6 |

ANTENNA POLARITY & TEST DISTANCE: VERTICAL AT 3 M

| NO. | FREQ. (MHz) | EMISSION LEVEL (dBuV/m) | LIMIT (dBuV/m) | MARGIN (dB) | ANTENNA HEIGHT (m) | TABLE ANGLE (Degree) | RAW VALUE (dBuV) | CORRECTION FACTOR (dB/m) |
|-----|----------------|-------------------------------|-------------------|----------------|--------------------------|----------------------------|------------------------|--------------------------------|
| 1 | #5619.62 | 51.3 PK | 68.2 | -16.9 | 2.08 V | 73 | 47.5 | 3.8 |
| 2 | *5785.00 | 115.1 PK | | | 2.08 V | 73 | 110.8 | 4.3 |
| 3 | *5785.00 | 103.5 AV | | | 2.08 V | 73 | 99.2 | 4.3 |
| 4 | #5941.19 | 53.8 PK | 68.2 | -14.4 | 2.08 V | 73 | 49.4 | 4.4 |
| 5 | 11570.00 | 52.0 PK | 74.0 | -22.0 | 2.33 V | 2 | 37.9 | 14.1 |
| 6 | 11570.00 | 41.1 AV | 54.0 | -12.9 | 2.33 V | 2 | 27.0 | 14.1 |
| 7 | #17355.00 | 53.0 PK | 68.2 | -15.2 | 1.53 V | 354 | 35.4 | 17.6 |

REMARKS:

1. Emission Level(dBuV/m) = Raw Value(dBuV) + Correction Factor(dB/m)
2. Correction Factor(dB/m) = Antenna Factor(dB/m) + Cable Factor(dB) – Pre-Amplifier Factor(dB)
3. The other emission levels were very low against the limit.
4. Margin value = Emission Level – Limit value
5. " * ": Fundamental frequency.
6. " # ": The radiated frequency is out of the restricted band.

| | | | |
|------------------------|----------------|------------------------------|--------------|
| CHANNEL | TX Channel 165 | DETECTOR FUNCTION | Peak (PK) |
| FREQUENCY RANGE | 1GHz ~ 40GHz | | Average (AV) |

ANTENNA POLARITY & TEST DISTANCE: HORIZONTAL AT 3 M

| NO. | FREQ. (MHz) | EMISSION LEVEL (dBuV/m) | LIMIT (dBuV/m) | MARGIN (dB) | ANTENNA HEIGHT (m) | TABLE ANGLE (Degree) | RAW VALUE (dBuV) | CORRECTION FACTOR (dB/m) |
|-----|----------------|-------------------------------|-------------------|----------------|--------------------------|----------------------------|------------------------|--------------------------------|
| 1 | #5628.59 | 49.5 PK | 68.2 | -18.7 | 2.84 H | 187 | 45.7 | 3.8 |
| 2 | *5825.00 | 100.4 PK | | | 2.84 H | 187 | 95.9 | 4.5 |
| 3 | *5825.00 | 90.3 AV | | | 2.84 H | 187 | 85.8 | 4.5 |
| 4 | #5931.78 | 48.8 PK | 68.2 | -19.4 | 2.84 H | 187 | 44.4 | 4.4 |
| 5 | 11650.00 | 52.9 PK | 74.0 | -21.1 | 1.17 H | 250 | 39.0 | 13.9 |
| 6 | 11650.00 | 41.2 AV | 54.0 | -12.8 | 1.17 H | 250 | 27.3 | 13.9 |
| 7 | #17475.00 | 53.0 PK | 68.2 | -15.2 | 1.68 H | 251 | 34.2 | 18.8 |

ANTENNA POLARITY & TEST DISTANCE: VERTICAL AT 3 M

| NO. | FREQ. (MHz) | EMISSION LEVEL (dBuV/m) | LIMIT (dBuV/m) | MARGIN (dB) | ANTENNA HEIGHT (m) | TABLE ANGLE (Degree) | RAW VALUE (dBuV) | CORRECTION FACTOR (dB/m) |
|-----|----------------|-------------------------------|-------------------|----------------|--------------------------|----------------------------|------------------------|--------------------------------|
| 1 | #5592.71 | 51.0 PK | 68.2 | -17.2 | 1.94 V | 73 | 47.2 | 3.8 |
| 2 | *5825.00 | 114.6 PK | | | 1.94 V | 73 | 110.1 | 4.5 |
| 3 | *5825.00 | 103.5 AV | | | 1.94 V | 73 | 99.0 | 4.5 |
| 4 | #5991.93 | 54.4 PK | 68.2 | -13.8 | 1.94 V | 73 | 49.9 | 4.5 |
| 5 | 11650.00 | 52.2 PK | 74.0 | -21.8 | 2.26 V | 20 | 38.3 | 13.9 |
| 6 | 11650.00 | 41.2 AV | 54.0 | -12.8 | 2.26 V | 20 | 27.3 | 13.9 |
| 7 | #17475.00 | 53.1 PK | 68.2 | -15.1 | 1.45 V | 360 | 34.3 | 18.8 |

REMARKS:

1. Emission Level(dBuV/m) = Raw Value(dBuV) + Correction Factor(dB/m)
2. Correction Factor(dB/m) = Antenna Factor(dB/m) + Cable Factor(dB) – Pre-Amplifier Factor(dB)
3. The other emission levels were very low against the limit.
4. Margin value = Emission Level – Limit value
5. " * ": Fundamental frequency.
6. " # ": The radiated frequency is out of the restricted band.

802.11ac (VHT20)

| | | | |
|------------------------|---------------|--------------------------|--------------|
| CHANNEL | TX Channel 36 | DETECTOR FUNCTION | Peak (PK) |
| FREQUENCY RANGE | 1GHz ~ 40GHz | | Average (AV) |

| ANTENNA POLARITY & TEST DISTANCE: HORIZONTAL AT 3 M | | | | | | | | |
|---|-------------|-------------------------|----------------|-------------|--------------------|----------------------|------------------|--------------------------|
| NO. | FREQ. (MHz) | EMISSION LEVEL (dBuV/m) | LIMIT (dBuV/m) | MARGIN (dB) | ANTENNA HEIGHT (m) | TABLE ANGLE (Degree) | RAW VALUE (dBuV) | CORRECTION FACTOR (dB/m) |
| 1 | 5150.00 | 49.7 PK | 74.0 | -24.3 | 2.82 H | 306 | 46.3 | 3.4 |
| 2 | 5150.00 | 42.3 AV | 54.0 | -11.7 | 2.82 H | 306 | 38.9 | 3.4 |
| 3 | *5180.00 | 110.1 PK | | | 2.82 H | 306 | 106.7 | 3.4 |
| 4 | *5180.00 | 97.5 AV | | | 2.82 H | 306 | 94.1 | 3.4 |
| 5 | #10360.00 | 53.2 PK | 68.2 | -15.0 | 1.14 H | 251 | 39.7 | 13.5 |
| 6 | 15540.00 | 52.6 PK | 74.0 | -21.4 | 1.73 H | 238 | 38.8 | 13.8 |
| 7 | 15540.00 | 41.0 AV | 54.0 | -13.0 | 1.73 H | 238 | 27.2 | 13.8 |

| ANTENNA POLARITY & TEST DISTANCE: VERTICAL AT 3 M | | | | | | | | |
|---|----------------|-------------------------|----------------|-------------|--------------------|----------------------|------------------|--------------------------|
| NO. | FREQ. (MHz) | EMISSION LEVEL (dBuV/m) | LIMIT (dBuV/m) | MARGIN (dB) | ANTENNA HEIGHT (m) | TABLE ANGLE (Degree) | RAW VALUE (dBuV) | CORRECTION FACTOR (dB/m) |
| 1 | 5150.00 | 68.4 PK | 74.0 | -5.6 | 1.80 V | 258 | 65.0 | 3.4 |
| 2 | 5150.00 | 52.5 AV | 54.0 | -1.5 | 1.80 V | 258 | 49.1 | 3.4 |
| 3 | *5180.00 | 114.3 PK | | | 1.80 V | 258 | 110.9 | 3.4 |
| 4 | *5180.00 | 101.9 AV | | | 1.80 V | 258 | 98.5 | 3.4 |
| 5 | #10360.00 | 52.2 PK | 68.2 | -16.0 | 2.26 V | 30 | 38.7 | 13.5 |
| 6 | 15540.00 | 53.0 PK | 74.0 | -21.0 | 1.49 V | 360 | 39.2 | 13.8 |
| 7 | 15540.00 | 41.7 AV | 54.0 | -12.3 | 1.49 V | 360 | 27.9 | 13.8 |

REMARKS:

1. Emission Level(dBuV/m) = Raw Value(dBuV) + Correction Factor(dB/m)
2. Correction Factor(dB/m) = Antenna Factor(dB/m) + Cable Factor(dB) – Pre-Amplifier Factor(dB)
3. The other emission levels were very low against the limit.
4. Margin value = Emission Level – Limit value
5. " * ": Fundamental frequency.
6. " # ": The radiated frequency is out of the restricted band.

| | | | |
|------------------------|---------------|------------------------------|--------------|
| CHANNEL | TX Channel 40 | DETECTOR FUNCTION | Peak (PK) |
| FREQUENCY RANGE | 1GHz ~ 40GHz | | Average (AV) |

ANTENNA POLARITY & TEST DISTANCE: HORIZONTAL AT 3 M

| NO. | FREQ. (MHz) | EMISSION LEVEL (dBuV/m) | LIMIT (dBuV/m) | MARGIN (dB) | ANTENNA HEIGHT (m) | TABLE ANGLE (Degree) | RAW VALUE (dBuV) | CORRECTION FACTOR (dB/m) |
|-----|----------------|-------------------------------|-------------------|----------------|--------------------------|----------------------------|------------------------|--------------------------------|
| 1 | 5150.00 | 49.0 PK | 74.0 | -25.0 | 2.80 H | 310 | 45.6 | 3.4 |
| 2 | 5150.00 | 37.7 AV | 54.0 | -16.3 | 2.80 H | 310 | 34.3 | 3.4 |
| 3 | *5200.00 | 109.6 PK | | | 2.80 H | 310 | 106.2 | 3.4 |
| 4 | *5200.00 | 98.3 AV | | | 2.80 H | 310 | 94.9 | 3.4 |
| 5 | #10400.00 | 53.1 PK | 68.2 | -15.1 | 1.12 H | 250 | 39.5 | 13.6 |
| 6 | 15600.00 | 52.6 PK | 74.0 | -21.4 | 1.69 H | 231 | 38.8 | 13.8 |
| 7 | 15600.00 | 40.8 AV | 54.0 | -13.2 | 1.69 H | 231 | 27.0 | 13.8 |

ANTENNA POLARITY & TEST DISTANCE: VERTICAL AT 3 M

| NO. | FREQ. (MHz) | EMISSION LEVEL (dBuV/m) | LIMIT (dBuV/m) | MARGIN (dB) | ANTENNA HEIGHT (m) | TABLE ANGLE (Degree) | RAW VALUE (dBuV) | CORRECTION FACTOR (dB/m) |
|-----|----------------|-------------------------------|-------------------|----------------|--------------------------|----------------------------|------------------------|--------------------------------|
| 1 | 5150.00 | 58.7 PK | 74.0 | -15.3 | 1.80 V | 257 | 55.3 | 3.4 |
| 2 | 5150.00 | 40.1 AV | 54.0 | -13.9 | 1.80 V | 257 | 36.7 | 3.4 |
| 3 | *5200.00 | 113.7 PK | | | 1.80 V | 257 | 110.3 | 3.4 |
| 4 | *5200.00 | 102.5 AV | | | 1.80 V | 257 | 99.1 | 3.4 |
| 5 | #10400.00 | 52.2 PK | 68.2 | -16.0 | 2.20 V | 17 | 38.6 | 13.6 |
| 6 | 15600.00 | 52.6 PK | 74.0 | -21.4 | 1.44 V | 345 | 38.8 | 13.8 |
| 7 | 15600.00 | 41.5 AV | 54.0 | -12.5 | 1.44 V | 345 | 27.7 | 13.8 |

REMARKS:

1. Emission Level(dBuV/m) = Raw Value(dBuV) + Correction Factor(dB/m)
2. Correction Factor(dB/m) = Antenna Factor(dB/m) + Cable Factor(dB) – Pre-Amplifier Factor(dB)
3. The other emission levels were very low against the limit.
4. Margin value = Emission Level – Limit value
5. " * ": Fundamental frequency.
6. " # ": The radiated frequency is out of the restricted band.

| | | | |
|------------------------|---------------|------------------------------|--------------|
| CHANNEL | TX Channel 48 | DETECTOR FUNCTION | Peak (PK) |
| FREQUENCY RANGE | 1GHz ~ 40GHz | | Average (AV) |

ANTENNA POLARITY & TEST DISTANCE: HORIZONTAL AT 3 M

| NO. | FREQ. (MHz) | EMISSION LEVEL (dBuV/m) | LIMIT (dBuV/m) | MARGIN (dB) | ANTENNA HEIGHT (m) | TABLE ANGLE (Degree) | RAW VALUE (dBuV) | CORRECTION FACTOR (dB/m) |
|-----|----------------|-------------------------------|-------------------|----------------|--------------------------|----------------------------|------------------------|--------------------------------|
| 1 | *5240.00 | 110.1 PK | | | 2.81 H | 305 | 106.8 | 3.3 |
| 2 | *5240.00 | 97.5 AV | | | 2.81 H | 305 | 94.2 | 3.3 |
| 3 | 5350.00 | 50.1 PK | 74.0 | -23.9 | 2.81 H | 305 | 46.7 | 3.4 |
| 4 | 5350.00 | 38.1 AV | 54.0 | -15.9 | 2.81 H | 305 | 34.7 | 3.4 |
| 5 | #10480.00 | 52.8 PK | 68.2 | -15.4 | 1.13 H | 237 | 39.0 | 13.8 |
| 6 | 15720.00 | 52.7 PK | 74.0 | -21.3 | 1.78 H | 232 | 38.9 | 13.8 |
| 7 | 15720.00 | 41.4 AV | 54.0 | -12.6 | 1.78 H | 232 | 27.6 | 13.8 |

ANTENNA POLARITY & TEST DISTANCE: VERTICAL AT 3 M

| NO. | FREQ. (MHz) | EMISSION LEVEL (dBuV/m) | LIMIT (dBuV/m) | MARGIN (dB) | ANTENNA HEIGHT (m) | TABLE ANGLE (Degree) | RAW VALUE (dBuV) | CORRECTION FACTOR (dB/m) |
|-----|----------------|-------------------------------|-------------------|----------------|--------------------------|----------------------------|------------------------|--------------------------------|
| 1 | *5240.00 | 114.0 PK | | | 1.91 V | 171 | 110.7 | 3.3 |
| 2 | *5240.00 | 101.8 AV | | | 1.91 V | 171 | 98.5 | 3.3 |
| 3 | 5350.00 | 51.7 PK | 74.0 | -22.3 | 1.91 V | 171 | 48.3 | 3.4 |
| 4 | 5350.00 | 39.3 AV | 54.0 | -14.7 | 1.91 V | 171 | 35.9 | 3.4 |
| 5 | #10480.00 | 52.5 PK | 68.2 | -15.7 | 2.21 V | 32 | 38.7 | 13.8 |
| 6 | 15720.00 | 52.5 PK | 74.0 | -21.5 | 1.50 V | 360 | 38.7 | 13.8 |
| 7 | 15720.00 | 41.3 AV | 54.0 | -12.7 | 1.50 V | 360 | 27.5 | 13.8 |

REMARKS:

1. Emission Level(dBuV/m) = Raw Value(dBuV) + Correction Factor(dB/m)
2. Correction Factor(dB/m) = Antenna Factor(dB/m) + Cable Factor(dB) – Pre-Amplifier Factor(dB)
3. The other emission levels were very low against the limit.
4. Margin value = Emission Level – Limit value
5. " * ": Fundamental frequency.
6. " # ": The radiated frequency is out of the restricted band.

| | | | |
|------------------------|---------------|------------------------------|--------------|
| CHANNEL | TX Channel 52 | DETECTOR FUNCTION | Peak (PK) |
| FREQUENCY RANGE | 1GHz ~ 40GHz | | Average (AV) |

ANTENNA POLARITY & TEST DISTANCE: HORIZONTAL AT 3 M

| NO. | FREQ. (MHz) | EMISSION LEVEL (dBuV/m) | LIMIT (dBuV/m) | MARGIN (dB) | ANTENNA HEIGHT (m) | TABLE ANGLE (Degree) | RAW VALUE (dBuV) | CORRECTION FACTOR (dB/m) |
|-----|----------------|-------------------------------|-------------------|----------------|--------------------------|----------------------------|------------------------|--------------------------------|
| 1 | 5150.00 | 49.1 PK | 74.0 | -24.9 | 2.85 H | 308 | 45.7 | 3.4 |
| 2 | 5150.00 | 37.6 AV | 54.0 | -16.4 | 2.85 H | 308 | 34.2 | 3.4 |
| 3 | *5260.00 | 111.4 PK | | | 2.85 H | 308 | 108.2 | 3.2 |
| 4 | *5260.00 | 98.6 AV | | | 2.85 H | 308 | 95.4 | 3.2 |
| 5 | 5350.00 | 51.0 PK | 74.0 | -23.0 | 2.85 H | 308 | 47.6 | 3.4 |
| 6 | 5350.00 | 38.1 AV | 54.0 | -15.9 | 2.85 H | 308 | 34.7 | 3.4 |
| 7 | #10520.00 | 53.6 PK | 68.2 | -14.6 | 1.11 H | 238 | 39.7 | 13.9 |
| 8 | 15780.00 | 52.4 PK | 74.0 | -21.6 | 1.68 H | 240 | 38.7 | 13.7 |
| 9 | 15780.00 | 41.1 AV | 54.0 | -12.9 | 1.68 H | 240 | 27.4 | 13.7 |

ANTENNA POLARITY & TEST DISTANCE: VERTICAL AT 3 M

| NO. | FREQ. (MHz) | EMISSION LEVEL (dBuV/m) | LIMIT (dBuV/m) | MARGIN (dB) | ANTENNA HEIGHT (m) | TABLE ANGLE (Degree) | RAW VALUE (dBuV) | CORRECTION FACTOR (dB/m) |
|-----|----------------|-------------------------------|-------------------|----------------|--------------------------|----------------------------|------------------------|--------------------------------|
| 1 | 5150.00 | 48.8 PK | 74.0 | -25.2 | 1.91 V | 171 | 45.4 | 3.4 |
| 2 | 5150.00 | 39.6 AV | 54.0 | -14.4 | 1.91 V | 171 | 36.2 | 3.4 |
| 3 | *5260.00 | 114.5 PK | | | 1.91 V | 171 | 111.3 | 3.2 |
| 4 | *5260.00 | 102.5 AV | | | 1.91 V | 171 | 99.3 | 3.2 |
| 5 | 5350.00 | 51.4 PK | 74.0 | -22.6 | 1.91 V | 171 | 48.0 | 3.4 |
| 6 | 5350.00 | 40.1 AV | 54.0 | -13.9 | 1.91 V | 171 | 36.7 | 3.4 |
| 7 | #10520.00 | 52.4 PK | 68.2 | -15.8 | 2.24 V | 21 | 38.5 | 13.9 |
| 8 | 15780.00 | 53.3 PK | 74.0 | -20.7 | 1.51 V | 360 | 39.6 | 13.7 |
| 9 | 15780.00 | 42.0 AV | 54.0 | -12.0 | 1.51 V | 360 | 28.3 | 13.7 |

REMARKS:

1. Emission Level(dBuV/m) = Raw Value(dBuV) + Correction Factor(dB/m)
2. Correction Factor(dB/m) = Antenna Factor(dB/m) + Cable Factor(dB) – Pre-Amplifier Factor(dB)
3. The other emission levels were very low against the limit.
4. Margin value = Emission Level – Limit value
5. " * ": Fundamental frequency.
6. " # ": The radiated frequency is out of the restricted band.

| | | | |
|------------------------|---------------|------------------------------|--------------|
| CHANNEL | TX Channel 60 | DETECTOR FUNCTION | Peak (PK) |
| FREQUENCY RANGE | 1GHz ~ 40GHz | | Average (AV) |

ANTENNA POLARITY & TEST DISTANCE: HORIZONTAL AT 3 M

| NO. | FREQ. (MHz) | EMISSION LEVEL (dBuV/m) | LIMIT (dBuV/m) | MARGIN (dB) | ANTENNA HEIGHT (m) | TABLE ANGLE (Degree) | RAW VALUE (dBuV) | CORRECTION FACTOR (dB/m) |
|-----|----------------|-------------------------------|-------------------|----------------|--------------------------|----------------------------|------------------------|--------------------------------|
| 1 | *5300.00 | 111.3 PK | | | 2.82 H | 292 | 108.0 | 3.3 |
| 2 | *5300.00 | 98.4 AV | | | 2.82 H | 292 | 95.1 | 3.3 |
| 3 | 5350.00 | 49.9 PK | 74.0 | -24.1 | 2.82 H | 292 | 46.5 | 3.4 |
| 4 | 5350.00 | 38.0 AV | 54.0 | -16.0 | 2.82 H | 292 | 34.6 | 3.4 |
| 5 | 10600.00 | 53.4 PK | 74.0 | -20.6 | 1.16 H | 245 | 39.9 | 13.5 |
| 6 | 10600.00 | 42.3 AV | 54.0 | -11.7 | 1.16 H | 245 | 28.8 | 13.5 |
| 7 | 15900.00 | 52.6 PK | 74.0 | -21.4 | 1.72 H | 223 | 39.3 | 13.3 |
| 8 | 15900.00 | 40.9 AV | 54.0 | -13.1 | 1.72 H | 223 | 27.6 | 13.3 |

ANTENNA POLARITY & TEST DISTANCE: VERTICAL AT 3 M

| NO. | FREQ. (MHz) | EMISSION LEVEL (dBuV/m) | LIMIT (dBuV/m) | MARGIN (dB) | ANTENNA HEIGHT (m) | TABLE ANGLE (Degree) | RAW VALUE (dBuV) | CORRECTION FACTOR (dB/m) |
|-----|----------------|-------------------------------|-------------------|----------------|--------------------------|----------------------------|------------------------|--------------------------------|
| 1 | *5300.00 | 115.1 PK | | | 1.91 V | 165 | 111.8 | 3.3 |
| 2 | *5300.00 | 102.6 AV | | | 1.91 V | 165 | 99.3 | 3.3 |
| 3 | 5350.00 | 61.1 PK | 74.0 | -12.9 | 1.91 V | 165 | 57.7 | 3.4 |
| 4 | 5350.00 | 42.4 AV | 54.0 | -11.6 | 1.91 V | 165 | 39.0 | 3.4 |
| 5 | 10600.00 | 51.5 PK | 74.0 | -22.5 | 2.30 V | 39 | 38.0 | 13.5 |
| 6 | 10600.00 | 40.6 AV | 54.0 | -13.4 | 2.30 V | 39 | 27.1 | 13.5 |
| 7 | 15900.00 | 52.5 PK | 74.0 | -21.5 | 1.44 V | 355 | 39.2 | 13.3 |
| 8 | 15900.00 | 41.3 AV | 54.0 | -12.7 | 1.44 V | 355 | 28.0 | 13.3 |

REMARKS:

1. Emission Level(dBuV/m) = Raw Value(dBuV) + Correction Factor(dB/m)
2. Correction Factor(dB/m) = Antenna Factor(dB/m) + Cable Factor(dB) – Pre-Amplifier Factor(dB)
3. The other emission levels were very low against the limit.
4. Margin value = Emission Level – Limit value
5. " * ": Fundamental frequency.

| | | | |
|------------------------|---------------|------------------------------|--------------|
| CHANNEL | TX Channel 64 | DETECTOR FUNCTION | Peak (PK) |
| FREQUENCY RANGE | 1GHz ~ 40GHz | | Average (AV) |

ANTENNA POLARITY & TEST DISTANCE: HORIZONTAL AT 3 M

| NO. | FREQ. (MHz) | EMISSION LEVEL (dBuV/m) | LIMIT (dBuV/m) | MARGIN (dB) | ANTENNA HEIGHT (m) | TABLE ANGLE (Degree) | RAW VALUE (dBuV) | CORRECTION FACTOR (dB/m) |
|-----|----------------|-------------------------------|-------------------|----------------|--------------------------|----------------------------|------------------------|--------------------------------|
| 1 | *5320.00 | 110.1 PK | | | 2.82 H | 290 | 106.8 | 3.3 |
| 2 | *5320.00 | 98.6 AV | | | 2.82 H | 290 | 95.3 | 3.3 |
| 3 | 5350.00 | 50.4 PK | 74.0 | -23.6 | 2.82 H | 290 | 47.0 | 3.4 |
| 4 | 5350.00 | 39.3 AV | 54.0 | -14.7 | 2.82 H | 290 | 35.9 | 3.4 |
| 5 | 10640.00 | 53.6 PK | 74.0 | -20.4 | 1.09 H | 252 | 39.9 | 13.7 |
| 6 | 10640.00 | 42.0 AV | 54.0 | -12.0 | 1.09 H | 252 | 28.3 | 13.7 |
| 7 | 15960.00 | 53.1 PK | 74.0 | -20.9 | 1.75 H | 225 | 39.5 | 13.6 |
| 8 | 15960.00 | 41.2 AV | 54.0 | -12.8 | 1.75 H | 225 | 27.6 | 13.6 |

ANTENNA POLARITY & TEST DISTANCE: VERTICAL AT 3 M

| NO. | FREQ. (MHz) | EMISSION LEVEL (dBuV/m) | LIMIT (dBuV/m) | MARGIN (dB) | ANTENNA HEIGHT (m) | TABLE ANGLE (Degree) | RAW VALUE (dBuV) | CORRECTION FACTOR (dB/m) |
|-----|----------------|-------------------------------|-------------------|----------------|--------------------------|----------------------------|------------------------|--------------------------------|
| 1 | *5320.00 | 114.6 PK | | | 2.16 V | 176 | 111.3 | 3.3 |
| 2 | *5320.00 | 102.8 AV | | | 2.16 V | 176 | 99.5 | 3.3 |
| 3 | 5350.00 | 71.8 PK | 74.0 | -2.2 | 2.16 V | 176 | 68.4 | 3.4 |
| 4 | 5350.00 | 52.4 AV | 54.0 | -1.6 | 2.16 V | 176 | 49.0 | 3.4 |
| 5 | 10640.00 | 52.7 PK | 74.0 | -21.3 | 2.27 V | 42 | 39.0 | 13.7 |
| 6 | 10640.00 | 41.3 AV | 54.0 | -12.7 | 2.27 V | 42 | 27.6 | 13.7 |
| 7 | 15960.00 | 53.0 PK | 74.0 | -21.0 | 1.53 V | 360 | 39.4 | 13.6 |
| 8 | 15960.00 | 41.5 AV | 54.0 | -12.5 | 1.53 V | 360 | 27.9 | 13.6 |

REMARKS:

1. Emission Level(dBuV/m) = Raw Value(dBuV) + Correction Factor(dB/m)
2. Correction Factor(dB/m) = Antenna Factor(dB/m) + Cable Factor(dB) – Pre-Amplifier Factor(dB)
3. The other emission levels were very low against the limit.
4. Margin value = Emission Level – Limit value
5. " * ": Fundamental frequency.

| | | | |
|------------------------|----------------|------------------------------|--------------|
| CHANNEL | TX Channel 100 | DETECTOR FUNCTION | Peak (PK) |
| FREQUENCY RANGE | 1GHz ~ 40GHz | | Average (AV) |

ANTENNA POLARITY & TEST DISTANCE: HORIZONTAL AT 3 M

| NO. | FREQ. (MHz) | EMISSION LEVEL (dBuV/m) | LIMIT (dBuV/m) | MARGIN (dB) | ANTENNA HEIGHT (m) | TABLE ANGLE (Degree) | RAW VALUE (dBuV) | CORRECTION FACTOR (dB/m) |
|-----|----------------|-------------------------------|-------------------|----------------|--------------------------|----------------------------|------------------------|--------------------------------|
| 1 | 5460.00 | 49.7 PK | 74.0 | -24.3 | 2.77 H | 304 | 46.1 | 3.6 |
| 2 | 5460.00 | 37.8 AV | 54.0 | -16.2 | 2.77 H | 304 | 34.2 | 3.6 |
| 3 | #5470.00 | 49.3 PK | 68.2 | -18.9 | 2.77 H | 304 | 45.7 | 3.6 |
| 4 | *5500.00 | 108.6 PK | | | 2.77 H | 304 | 104.9 | 3.7 |
| 5 | *5500.00 | 97.6 AV | | | 2.77 H | 304 | 93.9 | 3.7 |
| 6 | 11000.00 | 52.7 PK | 74.0 | -21.3 | 1.10 H | 247 | 38.7 | 14.0 |
| 7 | 11000.00 | 41.5 AV | 54.0 | -12.5 | 1.10 H | 247 | 27.5 | 14.0 |
| 8 | #16500.00 | 52.0 PK | 68.2 | -16.2 | 1.76 H | 240 | 36.2 | 15.8 |

ANTENNA POLARITY & TEST DISTANCE: VERTICAL AT 3 M

| NO. | FREQ. (MHz) | EMISSION LEVEL (dBuV/m) | LIMIT (dBuV/m) | MARGIN (dB) | ANTENNA HEIGHT (m) | TABLE ANGLE (Degree) | RAW VALUE (dBuV) | CORRECTION FACTOR (dB/m) |
|-----|----------------|-------------------------------|-------------------|----------------|--------------------------|----------------------------|------------------------|--------------------------------|
| 1 | 5460.00 | 52.3 PK | 74.0 | -21.7 | 2.14 V | 253 | 48.7 | 3.6 |
| 2 | 5460.00 | 40.6 AV | 54.0 | -13.4 | 2.14 V | 253 | 37.0 | 3.6 |
| 3 | #5470.00 | 66.7 PK | 68.2 | -1.5 | 2.14 V | 253 | 63.1 | 3.6 |
| 4 | *5500.00 | 112.8 PK | | | 2.14 V | 253 | 109.1 | 3.7 |
| 5 | *5500.00 | 101.8 AV | | | 2.14 V | 253 | 98.1 | 3.7 |
| 6 | 11000.00 | 52.5 PK | 74.0 | -21.5 | 2.32 V | 27 | 38.5 | 14.0 |
| 7 | 11000.00 | 41.6 AV | 54.0 | -12.4 | 2.32 V | 27 | 27.6 | 14.0 |
| 8 | #16500.00 | 52.5 PK | 68.2 | -15.7 | 1.46 V | 352 | 36.7 | 15.8 |

REMARKS:

1. Emission Level(dBuV/m) = Raw Value(dBuV) + Correction Factor(dB/m)
2. Correction Factor(dB/m) = Antenna Factor(dB/m) + Cable Factor(dB) – Pre-Amplifier Factor(dB)
3. The other emission levels were very low against the limit.
4. Margin value = Emission Level – Limit value
5. " * ": Fundamental frequency.
6. " # ": The radiated frequency is out of the restricted band.

| | | | |
|------------------------|----------------|------------------------------|--------------|
| CHANNEL | TX Channel 116 | DETECTOR FUNCTION | Peak (PK) |
| FREQUENCY RANGE | 1GHz ~ 40GHz | | Average (AV) |

ANTENNA POLARITY & TEST DISTANCE: HORIZONTAL AT 3 M

| NO. | FREQ. (MHz) | EMISSION LEVEL (dBuV/m) | LIMIT (dBuV/m) | MARGIN (dB) | ANTENNA HEIGHT (m) | TABLE ANGLE (Degree) | RAW VALUE (dBuV) | CORRECTION FACTOR (dB/m) |
|-----|----------------|-------------------------------|-------------------|----------------|--------------------------|----------------------------|------------------------|--------------------------------|
| 1 | *5580.00 | 109.6 PK | | | 2.82 H | 287 | 105.8 | 3.8 |
| 2 | *5580.00 | 98.3 AV | | | 2.82 H | 287 | 94.5 | 3.8 |
| 3 | 11160.00 | 53.4 PK | 74.0 | -20.6 | 1.10 H | 257 | 39.7 | 13.7 |
| 4 | 11160.00 | 42.1 AV | 54.0 | -11.9 | 1.10 H | 257 | 28.4 | 13.7 |
| 5 | #16740.00 | 52.4 PK | 68.2 | -15.8 | 1.73 H | 250 | 35.4 | 17.0 |

ANTENNA POLARITY & TEST DISTANCE: VERTICAL AT 3 M

| NO. | FREQ. (MHz) | EMISSION LEVEL (dBuV/m) | LIMIT (dBuV/m) | MARGIN (dB) | ANTENNA HEIGHT (m) | TABLE ANGLE (Degree) | RAW VALUE (dBuV) | CORRECTION FACTOR (dB/m) |
|-----|----------------|-------------------------------|-------------------|----------------|--------------------------|----------------------------|------------------------|--------------------------------|
| 1 | *5580.00 | 114.8 PK | | | 2.06 V | 239 | 111.0 | 3.8 |
| 2 | *5580.00 | 103.3 AV | | | 2.06 V | 239 | 99.5 | 3.8 |
| 3 | 11160.00 | 51.7 PK | 74.0 | -22.3 | 2.30 V | 27 | 38.0 | 13.7 |
| 4 | 11160.00 | 40.8 AV | 54.0 | -13.2 | 2.30 V | 27 | 27.1 | 13.7 |
| 5 | #16740.00 | 53.4 PK | 68.2 | -14.8 | 1.49 V | 352 | 36.4 | 17.0 |

REMARKS:

1. Emission Level(dBuV/m) = Raw Value(dBuV) + Correction Factor(dB/m)
2. Correction Factor(dB/m) = Antenna Factor(dB/m) + Cable Factor(dB) – Pre-Amplifier Factor(dB)
3. The other emission levels were very low against the limit.
4. Margin value = Emission Level – Limit value
5. " * ": Fundamental frequency.
6. " # ": The radiated frequency is out of the restricted band.

| | | | |
|------------------------|----------------|------------------------------|--------------|
| CHANNEL | TX Channel 140 | DETECTOR FUNCTION | Peak (PK) |
| FREQUENCY RANGE | 1GHz ~ 40GHz | | Average (AV) |

ANTENNA POLARITY & TEST DISTANCE: HORIZONTAL AT 3 M

| NO. | FREQ. (MHz) | EMISSION LEVEL (dBuV/m) | LIMIT (dBuV/m) | MARGIN (dB) | ANTENNA HEIGHT (m) | TABLE ANGLE (Degree) | RAW VALUE (dBuV) | CORRECTION FACTOR (dB/m) |
|-----|----------------|-------------------------------|-------------------|----------------|--------------------------|----------------------------|------------------------|--------------------------------|
| 1 | *5700.00 | 107.6 PK | | | 2.81 H | 289 | 103.4 | 4.2 |
| 2 | *5700.00 | 94.3 AV | | | 2.81 H | 289 | 90.1 | 4.2 |
| 3 | #5725.00 | 54.0 PK | 68.2 | -14.2 | 2.81 H | 289 | 49.8 | 4.2 |
| 4 | 11400.00 | 52.6 PK | 74.0 | -21.4 | 1.10 H | 261 | 38.3 | 14.3 |
| 5 | 11400.00 | 41.4 AV | 54.0 | -12.6 | 1.10 H | 261 | 27.1 | 14.3 |
| 6 | #17100.00 | 53.0 PK | 68.2 | -15.2 | 1.71 H | 249 | 35.3 | 17.7 |

ANTENNA POLARITY & TEST DISTANCE: VERTICAL AT 3 M

| NO. | FREQ. (MHz) | EMISSION LEVEL (dBuV/m) | LIMIT (dBuV/m) | MARGIN (dB) | ANTENNA HEIGHT (m) | TABLE ANGLE (Degree) | RAW VALUE (dBuV) | CORRECTION FACTOR (dB/m) |
|-----|----------------|-------------------------------|-------------------|----------------|--------------------------|----------------------------|------------------------|--------------------------------|
| 1 | *5700.00 | 111.8 PK | | | 2.03 V | 240 | 107.6 | 4.2 |
| 2 | *5700.00 | 99.6 AV | | | 2.03 V | 240 | 95.4 | 4.2 |
| 3 | #5725.00 | 66.6 PK | 68.2 | -1.6 | 2.03 V | 240 | 62.4 | 4.2 |
| 4 | 11400.00 | 51.8 PK | 74.0 | -22.2 | 2.28 V | 30 | 37.5 | 14.3 |
| 5 | 11400.00 | 40.7 AV | 54.0 | -13.3 | 2.28 V | 30 | 26.4 | 14.3 |
| 6 | #17100.00 | 52.5 PK | 68.2 | -15.7 | 1.48 V | 356 | 34.8 | 17.7 |

REMARKS:

1. Emission Level(dBuV/m) = Raw Value(dBuV) + Correction Factor(dB/m)
2. Correction Factor(dB/m) = Antenna Factor(dB/m) + Cable Factor(dB) – Pre-Amplifier Factor(dB)
3. The other emission levels were very low against the limit.
4. Margin value = Emission Level – Limit value
5. " * ": Fundamental frequency.
6. " # ": The radiated frequency is out of the restricted band.

| | | | |
|------------------------|----------------|------------------------------|--------------|
| CHANNEL | TX Channel 144 | DETECTOR FUNCTION | Peak (PK) |
| FREQUENCY RANGE | 1GHz ~ 40GHz | | Average (AV) |

ANTENNA POLARITY & TEST DISTANCE: HORIZONTAL AT 3 M

| NO. | FREQ. (MHz) | EMISSION LEVEL (dBuV/m) | LIMIT (dBuV/m) | MARGIN (dB) | ANTENNA HEIGHT (m) | TABLE ANGLE (Degree) | RAW VALUE (dBuV) | CORRECTION FACTOR (dB/m) |
|-----|----------------|-------------------------------|-------------------|----------------|--------------------------|----------------------------|------------------------|--------------------------------|
| 1 | 5460.00 | 48.0 PK | 74.0 | -26.0 | 2.81 H | 278 | 44.4 | 3.6 |
| 2 | 5460.00 | 37.5 AV | 54.0 | -16.5 | 2.81 H | 278 | 33.9 | 3.6 |
| 3 | #5470.00 | 49.2 PK | 68.2 | -19.0 | 2.81 H | 278 | 45.6 | 3.6 |
| 4 | *5720.00 | 112.0 PK | | | 2.81 H | 278 | 107.8 | 4.2 |
| 5 | *5720.00 | 100.4 AV | | | 2.81 H | 278 | 96.2 | 4.2 |
| 6 | #5850.00 | 49.0 PK | 68.2 | -19.2 | 2.81 H | 278 | 44.5 | 4.5 |
| 7 | 11440.00 | 53.5 PK | 74.0 | -20.5 | 1.09 H | 236 | 39.2 | 14.3 |
| 8 | 11440.00 | 42.2 AV | 54.0 | -11.8 | 1.09 H | 236 | 27.9 | 14.3 |
| 9 | #17160.00 | 52.8 PK | 68.2 | -15.4 | 1.70 H | 227 | 35.3 | 17.5 |

ANTENNA POLARITY & TEST DISTANCE: VERTICAL AT 3 M

| NO. | FREQ. (MHz) | EMISSION LEVEL (dBuV/m) | LIMIT (dBuV/m) | MARGIN (dB) | ANTENNA HEIGHT (m) | TABLE ANGLE (Degree) | RAW VALUE (dBuV) | CORRECTION FACTOR (dB/m) |
|-----|----------------|-------------------------------|-------------------|----------------|--------------------------|----------------------------|------------------------|--------------------------------|
| 1 | 5460.00 | 49.4 PK | 74.0 | -24.6 | 2.38 V | 285 | 45.8 | 3.6 |
| 2 | 5460.00 | 37.7 AV | 54.0 | -16.3 | 2.38 V | 285 | 34.1 | 3.6 |
| 3 | #5470.00 | 49.5 PK | 68.2 | -18.7 | 2.38 V | 285 | 45.9 | 3.6 |
| 4 | *5720.00 | 116.9 PK | | | 2.38 V | 285 | 112.7 | 4.2 |
| 5 | *5720.00 | 104.7 AV | | | 2.38 V | 285 | 100.5 | 4.2 |
| 6 | #5850.00 | 49.1 PK | 68.2 | -19.1 | 2.38 V | 285 | 44.6 | 4.5 |
| 7 | 11440.00 | 52.3 PK | 74.0 | -21.7 | 2.27 V | 27 | 38.0 | 14.3 |
| 8 | 11440.00 | 41.1 AV | 54.0 | -12.9 | 2.27 V | 27 | 26.8 | 14.3 |
| 9 | #17160.00 | 52.8 PK | 68.2 | -15.4 | 1.49 V | 357 | 35.3 | 17.5 |

REMARKS:

1. Emission Level(dBuV/m) = Raw Value(dBuV) + Correction Factor(dB/m)
2. Correction Factor(dB/m) = Antenna Factor(dB/m) + Cable Factor(dB) – Pre-Amplifier Factor(dB)
3. The other emission levels were very low against the limit.
4. Margin value = Emission Level – Limit value
5. " * ": Fundamental frequency.
6. " # ": The radiated frequency is out of the restricted band.

| | | | |
|------------------------|----------------|------------------------------|--------------|
| CHANNEL | TX Channel 149 | DETECTOR FUNCTION | Peak (PK) |
| FREQUENCY RANGE | 1GHz ~ 40GHz | | Average (AV) |

ANTENNA POLARITY & TEST DISTANCE: HORIZONTAL AT 3 M

| NO. | FREQ. (MHz) | EMISSION LEVEL (dBuV/m) | LIMIT (dBuV/m) | MARGIN (dB) | ANTENNA HEIGHT (m) | TABLE ANGLE (Degree) | RAW VALUE (dBuV) | CORRECTION FACTOR (dB/m) |
|-----|----------------|-------------------------------|-------------------|----------------|--------------------------|----------------------------|------------------------|--------------------------------|
| 1 | #5646.75 | 50.7 PK | 68.2 | -17.5 | 2.82 H | 279 | 46.8 | 3.9 |
| 2 | *5745.00 | 111.7 PK | | | 2.82 H | 279 | 107.5 | 4.2 |
| 3 | *5745.00 | 102.8 AV | | | 2.82 H | 279 | 98.6 | 4.2 |
| 4 | #5930.68 | 50.8 PK | 68.2 | -17.4 | 2.82 H | 279 | 46.4 | 4.4 |
| 5 | 11490.00 | 53.1 PK | 74.0 | -20.9 | 1.08 H | 237 | 38.8 | 14.3 |
| 6 | 11490.00 | 41.5 AV | 54.0 | -12.5 | 1.08 H | 237 | 27.2 | 14.3 |
| 7 | #17235.00 | 53.0 PK | 68.2 | -15.2 | 1.76 H | 242 | 35.7 | 17.3 |

ANTENNA POLARITY & TEST DISTANCE: VERTICAL AT 3 M

| NO. | FREQ. (MHz) | EMISSION LEVEL (dBuV/m) | LIMIT (dBuV/m) | MARGIN (dB) | ANTENNA HEIGHT (m) | TABLE ANGLE (Degree) | RAW VALUE (dBuV) | CORRECTION FACTOR (dB/m) |
|-----|----------------|-------------------------------|-------------------|----------------|--------------------------|----------------------------|------------------------|--------------------------------|
| 1 | #5581.91 | 53.4 PK | 68.2 | -14.8 | 2.38 V | 284 | 49.6 | 3.8 |
| 2 | *5745.00 | 117.8 PK | | | 2.38 V | 284 | 113.6 | 4.2 |
| 3 | *5745.00 | 108.4 AV | | | 2.38 V | 284 | 104.2 | 4.2 |
| 4 | #5980.86 | 50.5 PK | 68.2 | -17.7 | 2.38 V | 284 | 46.0 | 4.5 |
| 5 | 11490.00 | 52.0 PK | 74.0 | -22.0 | 2.30 V | 23 | 37.7 | 14.3 |
| 6 | 11490.00 | 40.8 AV | 54.0 | -13.2 | 2.30 V | 23 | 26.5 | 14.3 |
| 7 | #17235.00 | 52.5 PK | 68.2 | -15.7 | 1.47 V | 360 | 35.2 | 17.3 |

REMARKS:

1. Emission Level(dBuV/m) = Raw Value(dBuV) + Correction Factor(dB/m)
2. Correction Factor(dB/m) = Antenna Factor(dB/m) + Cable Factor(dB) – Pre-Amplifier Factor(dB)
3. The other emission levels were very low against the limit.
4. Margin value = Emission Level – Limit value
5. " * ": Fundamental frequency.
6. " # ": The radiated frequency is out of the restricted band.

| | | | |
|------------------------|----------------|------------------------------|--------------|
| CHANNEL | TX Channel 157 | DETECTOR FUNCTION | Peak (PK) |
| FREQUENCY RANGE | 1GHz ~ 40GHz | | Average (AV) |

ANTENNA POLARITY & TEST DISTANCE: HORIZONTAL AT 3 M

| NO. | FREQ. (MHz) | EMISSION LEVEL (dBuV/m) | LIMIT (dBuV/m) | MARGIN (dB) | ANTENNA HEIGHT (m) | TABLE ANGLE (Degree) | RAW VALUE (dBuV) | CORRECTION FACTOR (dB/m) |
|-----|----------------|-------------------------------|-------------------|----------------|--------------------------|----------------------------|------------------------|--------------------------------|
| 1 | #5631.66 | 49.9 PK | 68.2 | -18.3 | 2.79 H | 284 | 46.1 | 3.8 |
| 2 | *5785.00 | 111.8 PK | | | 2.79 H | 284 | 107.5 | 4.3 |
| 3 | *5785.00 | 103.1 AV | | | 2.79 H | 284 | 98.8 | 4.3 |
| 4 | #5952.86 | 51.7 PK | 68.2 | -16.5 | 2.79 H | 284 | 47.2 | 4.5 |
| 5 | 11570.00 | 53.5 PK | 74.0 | -20.5 | 1.13 H | 249 | 39.4 | 14.1 |
| 6 | 11570.00 | 42.2 AV | 54.0 | -11.8 | 1.13 H | 249 | 28.1 | 14.1 |
| 7 | #17355.00 | 52.6 PK | 68.2 | -15.6 | 1.68 H | 231 | 35.0 | 17.6 |

ANTENNA POLARITY & TEST DISTANCE: VERTICAL AT 3 M

| NO. | FREQ. (MHz) | EMISSION LEVEL (dBuV/m) | LIMIT (dBuV/m) | MARGIN (dB) | ANTENNA HEIGHT (m) | TABLE ANGLE (Degree) | RAW VALUE (dBuV) | CORRECTION FACTOR (dB/m) |
|-----|----------------|-------------------------------|-------------------|----------------|--------------------------|----------------------------|------------------------|--------------------------------|
| 1 | #5628.10 | 55.1 PK | 68.2 | -13.1 | 2.39 V | 278 | 51.3 | 3.8 |
| 2 | *5785.00 | 118.6 PK | | | 2.39 V | 278 | 114.3 | 4.3 |
| 3 | *5785.00 | 108.9 AV | | | 2.39 V | 278 | 104.6 | 4.3 |
| 4 | #5945.89 | 57.1 PK | 68.2 | -11.1 | 2.39 V | 278 | 52.7 | 4.4 |
| 5 | 11570.00 | 52.2 PK | 74.0 | -21.8 | 2.28 V | 43 | 38.1 | 14.1 |
| 6 | 11570.00 | 41.4 AV | 54.0 | -12.6 | 2.28 V | 43 | 27.3 | 14.1 |
| 7 | #17355.00 | 52.6 PK | 68.2 | -15.6 | 1.54 V | 355 | 35.0 | 17.6 |

REMARKS:

1. Emission Level(dBuV/m) = Raw Value(dBuV) + Correction Factor(dB/m)
2. Correction Factor(dB/m) = Antenna Factor(dB/m) + Cable Factor(dB) – Pre-Amplifier Factor(dB)
3. The other emission levels were very low against the limit.
4. Margin value = Emission Level – Limit value
5. " * ": Fundamental frequency.
6. " # ": The radiated frequency is out of the restricted band.

| | | | |
|------------------------|----------------|------------------------------|--------------|
| CHANNEL | TX Channel 165 | DETECTOR FUNCTION | Peak (PK) |
| FREQUENCY RANGE | 1GHz ~ 40GHz | | Average (AV) |

ANTENNA POLARITY & TEST DISTANCE: HORIZONTAL AT 3 M

| NO. | FREQ. (MHz) | EMISSION LEVEL (dBuV/m) | LIMIT (dBuV/m) | MARGIN (dB) | ANTENNA HEIGHT (m) | TABLE ANGLE (Degree) | RAW VALUE (dBuV) | CORRECTION FACTOR (dB/m) |
|-----|----------------|-------------------------------|-------------------|----------------|--------------------------|----------------------------|------------------------|--------------------------------|
| 1 | #5582.26 | 48.9 PK | 68.2 | -19.3 | 2.78 H | 271 | 45.1 | 3.8 |
| 2 | *5825.00 | 112.1 PK | | | 2.78 H | 251 | 107.6 | 4.5 |
| 3 | *5825.00 | 103.4 AV | | | 2.78 H | 251 | 98.9 | 4.5 |
| 4 | #5984.28 | 51.1 PK | 68.2 | -17.1 | 2.78 H | 271 | 46.6 | 4.5 |
| 5 | 11650.00 | 53.1 PK | 74.0 | -20.9 | 1.18 H | 245 | 39.2 | 13.9 |
| 6 | 11650.00 | 41.7 AV | 54.0 | -12.3 | 1.18 H | 245 | 27.8 | 13.9 |
| 7 | #17475.00 | 52.2 PK | 68.2 | -16.0 | 1.76 H | 236 | 33.4 | 18.8 |

ANTENNA POLARITY & TEST DISTANCE: VERTICAL AT 3 M

| NO. | FREQ. (MHz) | EMISSION LEVEL (dBuV/m) | LIMIT (dBuV/m) | MARGIN (dB) | ANTENNA HEIGHT (m) | TABLE ANGLE (Degree) | RAW VALUE (dBuV) | CORRECTION FACTOR (dB/m) |
|-----|----------------|-------------------------------|-------------------|----------------|--------------------------|----------------------------|------------------------|--------------------------------|
| 1 | #5584.53 | 52.9 PK | 68.2 | -15.3 | 2.37 V | 295 | 49.1 | 3.8 |
| 2 | *5825.00 | 117.9 PK | | | 2.37 V | 295 | 113.4 | 4.5 |
| 3 | *5825.00 | 108.6 AV | | | 2.37 V | 295 | 104.1 | 4.5 |
| 4 | #5980.02 | 58.6 PK | 68.2 | -9.6 | 2.37 V | 295 | 54.1 | 4.5 |
| 5 | 11650.00 | 52.2 PK | 74.0 | -21.8 | 2.22 V | 39 | 38.3 | 13.9 |
| 6 | 11650.00 | 41.1 AV | 54.0 | -12.9 | 2.22 V | 39 | 27.2 | 13.9 |
| 7 | #17475.00 | 52.9 PK | 68.2 | -15.3 | 1.43 V | 360 | 34.1 | 18.8 |

REMARKS:

1. Emission Level(dBuV/m) = Raw Value(dBuV) + Correction Factor(dB/m)
2. Correction Factor(dB/m) = Antenna Factor(dB/m) + Cable Factor(dB) – Pre-Amplifier Factor(dB)
3. The other emission levels were very low against the limit.
4. Margin value = Emission Level – Limit value
5. " * ": Fundamental frequency.
6. " # ": The radiated frequency is out of the restricted band.

802.11ac (VHT40)

| | | | |
|------------------------|---------------|------------------------------|--------------|
| CHANNEL | TX Channel 38 | DETECTOR FUNCTION | Peak (PK) |
| FREQUENCY RANGE | 1GHz ~ 40GHz | | Average (AV) |

ANTENNA POLARITY & TEST DISTANCE: HORIZONTAL AT 3 M

| NO. | FREQ. (MHz) | EMISSION LEVEL (dBuV/m) | LIMIT (dBuV/m) | MARGIN (dB) | ANTENNA HEIGHT (m) | TABLE ANGLE (Degree) | RAW VALUE (dBuV) | CORRECTION FACTOR (dB/m) |
|-----|----------------|-------------------------------|-------------------|----------------|--------------------------|----------------------------|------------------------|--------------------------------|
| 1 | 5150.00 | 57.6 PK | 74.0 | -16.4 | 1.48 H | 199 | 54.2 | 3.4 |
| 2 | 5150.00 | 41.8 AV | 54.0 | -12.2 | 1.48 H | 199 | 38.4 | 3.4 |
| 3 | *5190.00 | 104.6 PK | | | 1.48 H | 199 | 101.1 | 3.5 |
| 4 | *5190.00 | 92.4 AV | | | 1.48 H | 199 | 88.9 | 3.5 |
| 5 | #10380.00 | 51.7 PK | 68.2 | -16.5 | 1.19 H | 241 | 38.2 | 13.5 |
| 6 | 15570.00 | 50.2 PK | 74.0 | -23.8 | 1.81 H | 224 | 36.4 | 13.8 |
| 7 | 15570.00 | 39.3 AV | 54.0 | -14.7 | 1.81 H | 224 | 25.5 | 13.8 |

ANTENNA POLARITY & TEST DISTANCE: VERTICAL AT 3 M

| NO. | FREQ. (MHz) | EMISSION LEVEL (dBuV/m) | LIMIT (dBuV/m) | MARGIN (dB) | ANTENNA HEIGHT (m) | TABLE ANGLE (Degree) | RAW VALUE (dBuV) | CORRECTION FACTOR (dB/m) |
|-----|----------------|-------------------------------|-------------------|----------------|--------------------------|----------------------------|------------------------|--------------------------------|
| 1 | 5150.00 | 72.1 PK | 74.0 | -1.9 | 2.45 V | 85 | 68.7 | 3.4 |
| 2 | 5150.00 | 52.0 AV | 54.0 | -2.0 | 2.45 V | 85 | 48.6 | 3.4 |
| 3 | *5190.00 | 108.9 PK | | | 2.45 V | 85 | 105.4 | 3.5 |
| 4 | *5190.00 | 96.1 AV | | | 2.45 V | 85 | 92.6 | 3.5 |
| 5 | #10380.00 | 50.1 PK | 68.2 | -18.1 | 2.13 V | 45 | 36.6 | 13.5 |
| 6 | 15570.00 | 51.0 PK | 74.0 | -23.0 | 1.47 V | 354 | 37.2 | 13.8 |
| 7 | 15570.00 | 40.2 AV | 54.0 | -13.8 | 1.47 V | 354 | 26.4 | 13.8 |

REMARKS:

1. Emission Level(dBuV/m) = Raw Value(dBuV) + Correction Factor(dB/m)
2. Correction Factor(dB/m) = Antenna Factor(dB/m) + Cable Factor(dB) – Pre-Amplifier Factor(dB)
3. The other emission levels were very low against the limit.
4. Margin value = Emission Level – Limit value
5. " * ": Fundamental frequency.
6. " # ": The radiated frequency is out of the restricted band.

| | | | |
|------------------------|---------------|------------------------------|--------------|
| CHANNEL | TX Channel 46 | DETECTOR FUNCTION | Peak (PK) |
| FREQUENCY RANGE | 1GHz ~ 40GHz | | Average (AV) |

ANTENNA POLARITY & TEST DISTANCE: HORIZONTAL AT 3 M

| NO. | FREQ. (MHz) | EMISSION LEVEL (dBuV/m) | LIMIT (dBuV/m) | MARGIN (dB) | ANTENNA HEIGHT (m) | TABLE ANGLE (Degree) | RAW VALUE (dBuV) | CORRECTION FACTOR (dB/m) |
|-----|----------------|-------------------------------|-------------------|----------------|--------------------------|----------------------------|------------------------|--------------------------------|
| 1 | 5150.00 | 48.9 PK | 74.0 | -25.1 | 1.46 H | 212 | 45.5 | 3.4 |
| 2 | 5150.00 | 36.8 AV | 54.0 | -17.2 | 1.46 H | 212 | 33.4 | 3.4 |
| 3 | *5230.00 | 108.6 PK | | | 1.46 H | 212 | 105.3 | 3.3 |
| 4 | *5230.00 | 95.3 AV | | | 1.46 H | 212 | 92.0 | 3.3 |
| 5 | 5350.00 | 50.8 PK | 74.0 | -23.2 | 1.46 H | 212 | 47.4 | 3.4 |
| 6 | 5350.00 | 38.0 AV | 54.0 | -16.0 | 1.46 H | 212 | 34.6 | 3.4 |
| 7 | #10460.00 | 51.9 PK | 68.2 | -16.3 | 1.12 H | 267 | 38.1 | 13.8 |
| 8 | 15690.00 | 49.9 PK | 74.0 | -24.1 | 1.81 H | 209 | 36.0 | 13.9 |
| 9 | 15690.00 | 38.9 AV | 54.0 | -15.1 | 1.81 H | 209 | 25.0 | 13.9 |

ANTENNA POLARITY & TEST DISTANCE: VERTICAL AT 3 M

| NO. | FREQ. (MHz) | EMISSION LEVEL (dBuV/m) | LIMIT (dBuV/m) | MARGIN (dB) | ANTENNA HEIGHT (m) | TABLE ANGLE (Degree) | RAW VALUE (dBuV) | CORRECTION FACTOR (dB/m) |
|-----|----------------|-------------------------------|-------------------|----------------|--------------------------|----------------------------|------------------------|--------------------------------|
| 1 | 5150.00 | 63.0 PK | 74.0 | -11.0 | 2.45 V | 85 | 59.6 | 3.4 |
| 2 | 5150.00 | 47.6 AV | 54.0 | -6.4 | 2.45 V | 85 | 44.2 | 3.4 |
| 3 | *5230.00 | 112.8 PK | | | 2.45 V | 85 | 109.5 | 3.3 |
| 4 | *5230.00 | 99.3 AV | | | 2.45 V | 85 | 96.0 | 3.3 |
| 5 | 5350.00 | 56.5 PK | 74.0 | -17.5 | 2.45 V | 85 | 53.1 | 3.4 |
| 6 | 5350.00 | 40.2 AV | 54.0 | -13.8 | 2.45 V | 85 | 36.8 | 3.4 |
| 7 | #10460.00 | 50.0 PK | 68.2 | -18.2 | 2.17 V | 35 | 36.2 | 13.8 |
| 8 | 15690.00 | 51.8 PK | 74.0 | -22.2 | 1.39 V | 350 | 37.9 | 13.9 |
| 9 | 15690.00 | 41.0 AV | 54.0 | -13.0 | 1.39 V | 350 | 27.1 | 13.9 |

REMARKS:

1. Emission Level(dBuV/m) = Raw Value(dBuV) + Correction Factor(dB/m)
2. Correction Factor(dB/m) = Antenna Factor(dB/m) + Cable Factor(dB) – Pre-Amplifier Factor(dB)
3. The other emission levels were very low against the limit.
4. Margin value = Emission Level – Limit value
5. " * ": Fundamental frequency.
6. " # ": The radiated frequency is out of the restricted band.

| | | | |
|------------------------|---------------|--------------------------|--------------|
| CHANNEL | TX Channel 54 | DETECTOR FUNCTION | Peak (PK) |
| FREQUENCY RANGE | 1GHz ~ 40GHz | | Average (AV) |

ANTENNA POLARITY & TEST DISTANCE: HORIZONTAL AT 3 M

| NO. | FREQ. (MHz) | EMISSION LEVEL (dBuV/m) | LIMIT (dBuV/m) | MARGIN (dB) | ANTENNA HEIGHT (m) | TABLE ANGLE (Degree) | RAW VALUE (dBuV) | CORRECTION FACTOR (dB/m) |
|-----|-------------|-------------------------|----------------|-------------|--------------------|----------------------|------------------|--------------------------|
| 1 | 5150.00 | 48.0 PK | 74.0 | -26.0 | 1.45 H | 202 | 44.6 | 3.4 |
| 2 | 5150.00 | 36.2 AV | 54.0 | -17.8 | 1.45 H | 202 | 32.8 | 3.4 |
| 3 | *5270.00 | 109.4 PK | | | 1.45 H | 202 | 106.2 | 3.2 |
| 4 | *5270.00 | 97.5 AV | | | 1.45 H | 202 | 94.3 | 3.2 |
| 5 | 5350.00 | 52.6 PK | 74.0 | -21.4 | 1.45 H | 202 | 49.2 | 3.4 |
| 6 | 5350.00 | 40.3 AV | 54.0 | -13.7 | 1.45 H | 202 | 36.9 | 3.4 |
| 7 | #10540.00 | 51.3 PK | 68.2 | -16.9 | 1.12 H | 265 | 37.6 | 13.7 |
| 8 | 15810.00 | 49.9 PK | 74.0 | -24.1 | 1.77 H | 238 | 36.4 | 13.5 |
| 9 | 15810.00 | 38.9 AV | 54.0 | -15.1 | 1.77 H | 238 | 25.4 | 13.5 |

ANTENNA POLARITY & TEST DISTANCE: VERTICAL AT 3 M

| NO. | FREQ. (MHz) | EMISSION LEVEL (dBuV/m) | LIMIT (dBuV/m) | MARGIN (dB) | ANTENNA HEIGHT (m) | TABLE ANGLE (Degree) | RAW VALUE (dBuV) | CORRECTION FACTOR (dB/m) |
|-----|-------------|-------------------------|----------------|-------------|--------------------|----------------------|------------------|--------------------------|
| 1 | 5150.00 | 51.5 PK | 74.0 | -22.5 | 2.45 V | 54 | 48.1 | 3.4 |
| 2 | 5150.00 | 40.1 AV | 54.0 | -13.9 | 2.45 V | 54 | 36.7 | 3.4 |
| 3 | *5270.00 | 113.9 PK | | | 2.45 V | 54 | 110.7 | 3.2 |
| 4 | *5270.00 | 101.6 AV | | | 2.45 V | 54 | 98.4 | 3.2 |
| 5 | 5350.00 | 67.7 PK | 74.0 | -6.3 | 2.45 V | 54 | 64.3 | 3.4 |
| 6 | 5350.00 | 50.7 AV | 54.0 | -3.3 | 2.45 V | 54 | 47.3 | 3.4 |
| 7 | #10540.00 | 50.8 PK | 68.2 | -17.4 | 2.12 V | 22 | 37.1 | 13.7 |
| 8 | 15810.00 | 51.8 PK | 74.0 | -22.2 | 1.40 V | 333 | 38.3 | 13.5 |
| 9 | 15810.00 | 40.9 AV | 54.0 | -13.1 | 1.40 V | 333 | 27.4 | 13.5 |

REMARKS:

1. Emission Level(dBuV/m) = Raw Value(dBuV) + Correction Factor(dB/m)
2. Correction Factor(dB/m) = Antenna Factor(dB/m) + Cable Factor(dB) – Pre-Amplifier Factor(dB)
3. The other emission levels were very low against the limit.
4. Margin value = Emission Level – Limit value
5. " * ": Fundamental frequency.
6. " # ": The radiated frequency is out of the restricted band.

| | | | |
|------------------------|---------------|------------------------------|--------------|
| CHANNEL | TX Channel 62 | DETECTOR FUNCTION | Peak (PK) |
| FREQUENCY RANGE | 1GHz ~ 40GHz | | Average (AV) |

ANTENNA POLARITY & TEST DISTANCE: HORIZONTAL AT 3 M

| NO. | FREQ. (MHz) | EMISSION LEVEL (dBuV/m) | LIMIT (dBuV/m) | MARGIN (dB) | ANTENNA HEIGHT (m) | TABLE ANGLE (Degree) | RAW VALUE (dBuV) | CORRECTION FACTOR (dB/m) |
|-----|----------------|-------------------------------|-------------------|----------------|--------------------------|----------------------------|------------------------|--------------------------------|
| 1 | *5310.00 | 105.4 PK | | | 1.47 H | 204 | 102.1 | 3.3 |
| 2 | *5310.00 | 92.1 AV | | | 1.47 H | 204 | 88.8 | 3.3 |
| 3 | 5350.00 | 58.9 PK | 74.0 | -15.1 | 1.47 H | 204 | 55.5 | 3.4 |
| 4 | 5350.00 | 44.3 AV | 54.0 | -9.7 | 1.47 H | 204 | 40.9 | 3.4 |
| 5 | 10620.00 | 51.4 PK | 74.0 | -22.6 | 1.16 H | 252 | 37.7 | 13.7 |
| 6 | 10620.00 | 40.3 AV | 54.0 | -13.7 | 1.16 H | 252 | 26.6 | 13.7 |
| 7 | 15930.00 | 50.2 PK | 74.0 | -23.8 | 1.81 H | 223 | 36.7 | 13.5 |
| 8 | 15930.00 | 39.2 AV | 54.0 | -14.8 | 1.81 H | 223 | 25.7 | 13.5 |

ANTENNA POLARITY & TEST DISTANCE: VERTICAL AT 3 M

| NO. | FREQ. (MHz) | EMISSION LEVEL (dBuV/m) | LIMIT (dBuV/m) | MARGIN (dB) | ANTENNA HEIGHT (m) | TABLE ANGLE (Degree) | RAW VALUE (dBuV) | CORRECTION FACTOR (dB/m) |
|-----|----------------|-------------------------------|-------------------|----------------|--------------------------|----------------------------|------------------------|--------------------------------|
| 1 | *5310.00 | 109.6 PK | | | 2.42 V | 53 | 106.3 | 3.3 |
| 2 | *5310.00 | 96.8 AV | | | 2.42 V | 53 | 93.5 | 3.3 |
| 3 | 5350.00 | 72.2 PK | 74.0 | -1.8 | 2.42 V | 53 | 68.8 | 3.4 |
| 4 | 5350.00 | 52.4 AV | 54.0 | -1.6 | 2.42 V | 53 | 49.0 | 3.4 |
| 5 | 10620.00 | 50.4 PK | 74.0 | -23.6 | 2.17 V | 33 | 36.7 | 13.7 |
| 6 | 10620.00 | 39.2 AV | 54.0 | -14.8 | 2.17 V | 33 | 25.5 | 13.7 |
| 7 | 15930.00 | 51.3 PK | 74.0 | -22.7 | 1.41 V | 348 | 37.8 | 13.5 |
| 8 | 15930.00 | 40.6 AV | 54.0 | -13.4 | 1.41 V | 348 | 27.1 | 13.5 |

REMARKS:

1. Emission Level(dBuV/m) = Raw Value(dBuV) + Correction Factor(dB/m)
2. Correction Factor(dB/m) = Antenna Factor(dB/m) + Cable Factor(dB) – Pre-Amplifier Factor(dB)
3. The other emission levels were very low against the limit.
4. Margin value = Emission Level – Limit value
5. " * ": Fundamental frequency.

| | | | |
|------------------------|----------------|--------------------------|--------------|
| CHANNEL | TX Channel 102 | DETECTOR FUNCTION | Peak (PK) |
| FREQUENCY RANGE | 1GHz ~ 40GHz | | Average (AV) |

ANTENNA POLARITY & TEST DISTANCE: HORIZONTAL AT 3 M

| NO. | FREQ. (MHz) | EMISSION LEVEL (dBuV/m) | LIMIT (dBuV/m) | MARGIN (dB) | ANTENNA HEIGHT (m) | TABLE ANGLE (Degree) | RAW VALUE (dBuV) | CORRECTION FACTOR (dB/m) |
|-----|-------------|-------------------------|----------------|-------------|--------------------|----------------------|------------------|--------------------------|
| 1 | 5460.00 | 49.7 PK | 74.0 | -24.3 | 1.47 H | 202 | 46.1 | 3.6 |
| 2 | 5460.00 | 39.1 AV | 54.0 | -14.9 | 1.47 H | 202 | 35.5 | 3.6 |
| 3 | #5470.00 | 52.3 PK | 68.2 | -15.9 | 1.47 H | 202 | 48.7 | 3.6 |
| 4 | *5510.00 | 105.3 PK | | | 1.47 H | 202 | 101.7 | 3.6 |
| 5 | *5510.00 | 92.4 AV | | | 1.47 H | 202 | 88.8 | 3.6 |
| 6 | 11020.00 | 51.5 PK | 74.0 | -22.5 | 1.15 H | 263 | 37.6 | 13.9 |
| 7 | 11020.00 | 40.2 AV | 54.0 | -13.8 | 1.15 H | 263 | 26.3 | 13.9 |
| 8 | #16530.00 | 50.4 PK | 68.2 | -17.8 | 1.77 H | 215 | 34.4 | 16.0 |

ANTENNA POLARITY & TEST DISTANCE: VERTICAL AT 3 M

| NO. | FREQ. (MHz) | EMISSION LEVEL (dBuV/m) | LIMIT (dBuV/m) | MARGIN (dB) | ANTENNA HEIGHT (m) | TABLE ANGLE (Degree) | RAW VALUE (dBuV) | CORRECTION FACTOR (dB/m) |
|-----|-------------|-------------------------|----------------|-------------|--------------------|----------------------|------------------|--------------------------|
| 1 | 5460.00 | 61.1 PK | 74.0 | -12.9 | 1.89 V | 30 | 57.5 | 3.6 |
| 2 | 5460.00 | 44.8 AV | 54.0 | -9.2 | 1.89 V | 30 | 41.2 | 3.6 |
| 3 | #5470.00 | 66.5 PK | 68.2 | -1.7 | 1.89 V | 30 | 62.9 | 3.6 |
| 4 | *5510.00 | 109.1 PK | | | 1.89 V | 30 | 105.5 | 3.6 |
| 5 | *5510.00 | 96.1 AV | | | 1.89 V | 30 | 92.5 | 3.6 |
| 6 | 11020.00 | 49.9 PK | 74.0 | -24.1 | 2.20 V | 30 | 36.0 | 13.9 |
| 7 | 11020.00 | 38.9 AV | 54.0 | -15.1 | 2.20 V | 30 | 25.0 | 13.9 |
| 8 | #16530.00 | 51.2 PK | 68.2 | -17.0 | 1.42 V | 334 | 35.2 | 16.0 |

REMARKS:

1. Emission Level(dBuV/m) = Raw Value(dBuV) + Correction Factor(dB/m)
2. Correction Factor(dB/m) = Antenna Factor(dB/m) + Cable Factor(dB) – Pre-Amplifier Factor(dB)
3. The other emission levels were very low against the limit.
4. Margin value = Emission Level – Limit value
5. " * ": Fundamental frequency.
6. " # ": The radiated frequency is out of the restricted band.

| | | | |
|------------------------|----------------|------------------------------|--------------|
| CHANNEL | TX Channel 110 | DETECTOR FUNCTION | Peak (PK) |
| FREQUENCY RANGE | 1GHz ~ 40GHz | | Average (AV) |

ANTENNA POLARITY & TEST DISTANCE: HORIZONTAL AT 3 M

| NO. | FREQ. (MHz) | EMISSION LEVEL (dBuV/m) | LIMIT (dBuV/m) | MARGIN (dB) | ANTENNA HEIGHT (m) | TABLE ANGLE (Degree) | RAW VALUE (dBuV) | CORRECTION FACTOR (dB/m) |
|-----|----------------|-------------------------------|-------------------|----------------|--------------------------|----------------------------|------------------------|--------------------------------|
| 1 | *5550.00 | 109.7 PK | | | 1.50 H | 204 | 106.0 | 3.7 |
| 2 | *5550.00 | 97.3 AV | | | 1.50 H | 204 | 93.6 | 3.7 |
| 3 | 11100.00 | 51.7 PK | 74.0 | -22.3 | 1.15 H | 241 | 38.0 | 13.7 |
| 4 | 11100.00 | 40.6 AV | 54.0 | -13.4 | 1.15 H | 241 | 26.9 | 13.7 |
| 5 | #16650.00 | 49.9 PK | 68.2 | -18.3 | 1.86 H | 237 | 33.2 | 16.7 |

ANTENNA POLARITY & TEST DISTANCE: VERTICAL AT 3 M

| NO. | FREQ. (MHz) | EMISSION LEVEL (dBuV/m) | LIMIT (dBuV/m) | MARGIN (dB) | ANTENNA HEIGHT (m) | TABLE ANGLE (Degree) | RAW VALUE (dBuV) | CORRECTION FACTOR (dB/m) |
|-----|----------------|-------------------------------|-------------------|----------------|--------------------------|----------------------------|------------------------|--------------------------------|
| 1 | *5550.00 | 113.6 PK | | | 1.86 V | 37 | 109.9 | 3.7 |
| 2 | *5550.00 | 101.3 AV | | | 1.86 V | 37 | 97.6 | 3.7 |
| 3 | 11100.00 | 50.7 PK | 74.0 | -23.3 | 2.11 V | 41 | 37.0 | 13.7 |
| 4 | 11100.00 | 39.6 AV | 54.0 | -14.4 | 2.11 V | 41 | 25.9 | 13.7 |
| 5 | #16650.00 | 51.9 PK | 68.2 | -16.3 | 1.40 V | 339 | 35.2 | 16.7 |

REMARKS:

1. Emission Level(dBuV/m) = Raw Value(dBuV) + Correction Factor(dB/m)
2. Correction Factor(dB/m) = Antenna Factor(dB/m) + Cable Factor(dB) – Pre-Amplifier Factor(dB)
3. The other emission levels were very low against the limit.
4. Margin value = Emission Level – Limit value
5. " * ": Fundamental frequency.
6. " # ": The radiated frequency is out of the restricted band.

| | | | |
|------------------------|----------------|------------------------------|--------------|
| CHANNEL | TX Channel 134 | DETECTOR FUNCTION | Peak (PK) |
| FREQUENCY RANGE | 1GHz ~ 40GHz | | Average (AV) |

ANTENNA POLARITY & TEST DISTANCE: HORIZONTAL AT 3 M

| NO. | FREQ. (MHz) | EMISSION LEVEL (dBuV/m) | LIMIT (dBuV/m) | MARGIN (dB) | ANTENNA HEIGHT (m) | TABLE ANGLE (Degree) | RAW VALUE (dBuV) | CORRECTION FACTOR (dB/m) |
|-----|----------------|-------------------------------|-------------------|----------------|--------------------------|----------------------------|------------------------|--------------------------------|
| 1 | *5670.00 | 107.4 PK | | | 1.48 H | 205 | 103.4 | 4.0 |
| 2 | *5670.00 | 94.4 AV | | | 1.48 H | 205 | 90.4 | 4.0 |
| 3 | #5725.00 | 54.2 PK | 68.2 | -14.0 | 1.48 H | 205 | 50.0 | 4.2 |
| 4 | 11340.00 | 51.4 PK | 74.0 | -22.6 | 1.17 H | 243 | 37.1 | 14.3 |
| 5 | 11340.00 | 40.1 AV | 54.0 | -13.9 | 1.17 H | 243 | 25.8 | 14.3 |
| 6 | #17010.00 | 50.0 PK | 68.2 | -18.2 | 1.76 H | 224 | 32.4 | 17.6 |

ANTENNA POLARITY & TEST DISTANCE: VERTICAL AT 3 M

| NO. | FREQ. (MHz) | EMISSION LEVEL (dBuV/m) | LIMIT (dBuV/m) | MARGIN (dB) | ANTENNA HEIGHT (m) | TABLE ANGLE (Degree) | RAW VALUE (dBuV) | CORRECTION FACTOR (dB/m) |
|-----|----------------|-------------------------------|-------------------|----------------|--------------------------|----------------------------|------------------------|--------------------------------|
| 1 | *5670.00 | 111.7 PK | | | 1.86 V | 37 | 107.7 | 4.0 |
| 2 | *5670.00 | 98.8 AV | | | 1.86 V | 37 | 94.8 | 4.0 |
| 3 | #5725.00 | 66.6 PK | 68.2 | -1.6 | 1.86 V | 37 | 62.4 | 4.2 |
| 4 | 11340.00 | 50.7 PK | 74.0 | -23.3 | 2.22 V | 21 | 36.4 | 14.3 |
| 5 | 11340.00 | 39.2 AV | 54.0 | -14.8 | 2.22 V | 21 | 24.9 | 14.3 |
| 6 | #17010.00 | 51.2 PK | 68.2 | -17.0 | 1.39 V | 344 | 33.6 | 17.6 |

REMARKS:

1. Emission Level(dBuV/m) = Raw Value(dBuV) + Correction Factor(dB/m)
2. Correction Factor(dB/m) = Antenna Factor(dB/m) + Cable Factor(dB) – Pre-Amplifier Factor(dB)
3. The other emission levels were very low against the limit.
4. Margin value = Emission Level – Limit value
5. " * ": Fundamental frequency.
6. " # ": The radiated frequency is out of the restricted band.

| | | | |
|------------------------|----------------|------------------------------|--------------|
| CHANNEL | TX Channel 142 | DETECTOR FUNCTION | Peak (PK) |
| FREQUENCY RANGE | 1GHz ~ 40GHz | | Average (AV) |

ANTENNA POLARITY & TEST DISTANCE: HORIZONTAL AT 3 M

| NO. | FREQ. (MHz) | EMISSION LEVEL (dBuV/m) | LIMIT (dBuV/m) | MARGIN (dB) | ANTENNA HEIGHT (m) | TABLE ANGLE (Degree) | RAW VALUE (dBuV) | CORRECTION FACTOR (dB/m) |
|-----|----------------|-------------------------------|-------------------|----------------|--------------------------|----------------------------|------------------------|--------------------------------|
| 1 | 5460.00 | 49.7 PK | 74.0 | -24.3 | 1.48 H | 190 | 46.1 | 3.6 |
| 2 | 5460.00 | 37.6 AV | 54.0 | -16.4 | 1.48 H | 190 | 34.0 | 3.6 |
| 3 | #5470.00 | 49.9 PK | 68.2 | -18.3 | 1.48 H | 190 | 46.3 | 3.6 |
| 4 | *5710.00 | 107.6 PK | | | 1.48 H | 190 | 103.4 | 4.2 |
| 5 | *5710.00 | 95.3 AV | | | 1.48 H | 190 | 91.1 | 4.2 |
| 6 | #5850.00 | 50.1 PK | 68.2 | -18.1 | 1.48 H | 190 | 45.6 | 4.5 |
| 7 | 11420.00 | 51.3 PK | 74.0 | -22.7 | 1.10 H | 259 | 37.1 | 14.2 |
| 8 | 11420.00 | 40.2 AV | 54.0 | -13.8 | 1.10 H | 259 | 26.0 | 14.2 |
| 9 | #17130.00 | 49.9 PK | 68.2 | -18.3 | 1.78 H | 225 | 32.4 | 17.5 |

ANTENNA POLARITY & TEST DISTANCE: VERTICAL AT 3 M

| NO. | FREQ. (MHz) | EMISSION LEVEL (dBuV/m) | LIMIT (dBuV/m) | MARGIN (dB) | ANTENNA HEIGHT (m) | TABLE ANGLE (Degree) | RAW VALUE (dBuV) | CORRECTION FACTOR (dB/m) |
|-----|----------------|-------------------------------|-------------------|----------------|--------------------------|----------------------------|------------------------|--------------------------------|
| 1 | 5460.00 | 51.3 PK | 74.0 | -22.7 | 1.95 V | 28 | 47.7 | 3.6 |
| 2 | 5460.00 | 40.0 AV | 54.0 | -14.0 | 1.95 V | 28 | 36.4 | 3.6 |
| 3 | #5470.00 | 51.7 PK | 68.2 | -16.5 | 1.95 V | 28 | 48.1 | 3.6 |
| 4 | *5710.00 | 111.3 PK | | | 1.95 V | 28 | 107.1 | 4.2 |
| 5 | *5710.00 | 99.7 AV | | | 1.95 V | 28 | 95.5 | 4.2 |
| 6 | #5850.00 | 48.6 PK | 68.2 | -19.6 | 1.95 V | 28 | 44.1 | 4.5 |
| 7 | 11420.00 | 50.4 PK | 74.0 | -23.6 | 2.20 V | 43 | 36.2 | 14.2 |
| 8 | 11420.00 | 39.2 AV | 54.0 | -14.8 | 2.20 V | 43 | 25.0 | 14.2 |
| 9 | #17130.00 | 51.2 PK | 68.2 | -17.0 | 1.40 V | 359 | 33.7 | 17.5 |

REMARKS:

1. Emission Level(dBuV/m) = Raw Value(dBuV) + Correction Factor(dB/m)
2. Correction Factor(dB/m) = Antenna Factor(dB/m) + Cable Factor(dB) – Pre-Amplifier Factor(dB)
3. The other emission levels were very low against the limit.
4. Margin value = Emission Level – Limit value
5. " * ": Fundamental frequency.
6. " # ": The radiated frequency is out of the restricted band.

| | | | |
|------------------------|----------------|--------------------------|--------------|
| CHANNEL | TX Channel 151 | DETECTOR FUNCTION | Peak (PK) |
| FREQUENCY RANGE | 1GHz ~ 40GHz | | Average (AV) |

ANTENNA POLARITY & TEST DISTANCE: HORIZONTAL AT 3 M

| NO. | FREQ. (MHz) | EMISSION LEVEL (dBuV/m) | LIMIT (dBuV/m) | MARGIN (dB) | ANTENNA HEIGHT (m) | TABLE ANGLE (Degree) | RAW VALUE (dBuV) | CORRECTION FACTOR (dB/m) |
|-----|-------------|-------------------------|----------------|-------------|--------------------|----------------------|------------------|--------------------------|
| 1 | #5650.83 | 52.9 PK | 68.8 | -15.9 | 2.81 H | 247 | 49.0 | 3.9 |
| 2 | *5755.00 | 105.1 PK | | | 2.81 H | 247 | 100.9 | 4.2 |
| 3 | *5755.00 | 92.0 AV | | | 2.81 H | 247 | 87.8 | 4.2 |
| 4 | #5970.08 | 50.3 PK | 68.2 | -17.9 | 2.81 H | 247 | 45.8 | 4.5 |
| 5 | 11510.00 | 51.2 PK | 74.0 | -22.8 | 1.19 H | 252 | 37.0 | 14.2 |
| 6 | 11510.00 | 40.0 AV | 54.0 | -14.0 | 1.19 H | 252 | 25.8 | 14.2 |
| 7 | #17265.00 | 50.2 PK | 68.2 | -18.0 | 1.83 H | 215 | 32.8 | 17.4 |

ANTENNA POLARITY & TEST DISTANCE: VERTICAL AT 3 M

| NO. | FREQ. (MHz) | EMISSION LEVEL (dBuV/m) | LIMIT (dBuV/m) | MARGIN (dB) | ANTENNA HEIGHT (m) | TABLE ANGLE (Degree) | RAW VALUE (dBuV) | CORRECTION FACTOR (dB/m) |
|-----|-------------|-------------------------|----------------|-------------|--------------------|----------------------|------------------|--------------------------|
| 1 | #5649.93 | 51.2 PK | 68.2 | -17.0 | 1.94 V | 102 | 47.3 | 3.9 |
| 2 | *5755.00 | 110.5 PK | | | 1.94 V | 102 | 106.3 | 4.2 |
| 3 | *5755.00 | 97.4 AV | | | 1.94 V | 102 | 93.2 | 4.2 |
| 4 | #5929.32 | 49.7 PK | 68.2 | -18.5 | 1.94 V | 102 | 45.3 | 4.4 |
| 5 | 11510.00 | 50.2 PK | 74.0 | -23.8 | 2.12 V | 26 | 36.0 | 14.2 |
| 6 | 11510.00 | 39.3 AV | 54.0 | -14.7 | 2.12 V | 26 | 25.1 | 14.2 |
| 7 | #17265.00 | 51.6 PK | 68.2 | -16.6 | 1.41 V | 338 | 34.2 | 17.4 |

REMARKS:

1. Emission Level(dBuV/m) = Raw Value(dBuV) + Correction Factor(dB/m)
2. Correction Factor(dB/m) = Antenna Factor(dB/m) + Cable Factor(dB) – Pre-Amplifier Factor(dB)
3. The other emission levels were very low against the limit.
4. Margin value = Emission Level – Limit value
5. " * ": Fundamental frequency.
6. " # ": The radiated frequency is out of the restricted band.

| | | | |
|------------------------|----------------|------------------------------|--------------|
| CHANNEL | TX Channel 159 | DETECTOR FUNCTION | Peak (PK) |
| FREQUENCY RANGE | 1GHz ~ 40GHz | | Average (AV) |

ANTENNA POLARITY & TEST DISTANCE: HORIZONTAL AT 3 M

| NO. | FREQ. (MHz) | EMISSION LEVEL (dBuV/m) | LIMIT (dBuV/m) | MARGIN (dB) | ANTENNA HEIGHT (m) | TABLE ANGLE (Degree) | RAW VALUE (dBuV) | CORRECTION FACTOR (dB/m) |
|-----|----------------|-------------------------------|-------------------|----------------|--------------------------|----------------------------|------------------------|--------------------------------|
| 1 | #5621.87 | 51.7 PK | 68.2 | -16.5 | 2.76 H | 255 | 47.9 | 3.8 |
| 2 | *5795.00 | 105.4 PK | | | 2.76 H | 255 | 101.1 | 4.3 |
| 3 | *5795.00 | 92.3 AV | | | 2.76 H | 255 | 88.0 | 4.3 |
| 4 | #5969.71 | 51.3 PK | 68.2 | -16.9 | 2.76 H | 255 | 46.8 | 4.5 |
| 5 | 11590.00 | 50.9 PK | 74.0 | -23.1 | 1.21 H | 252 | 36.7 | 14.2 |
| 6 | 11590.00 | 39.9 AV | 54.0 | -14.1 | 1.21 H | 252 | 25.7 | 14.2 |
| 7 | #17385.00 | 50.0 PK | 68.2 | -18.2 | 1.84 H | 222 | 32.3 | 17.7 |

ANTENNA POLARITY & TEST DISTANCE: VERTICAL AT 3 M

| NO. | FREQ. (MHz) | EMISSION LEVEL (dBuV/m) | LIMIT (dBuV/m) | MARGIN (dB) | ANTENNA HEIGHT (m) | TABLE ANGLE (Degree) | RAW VALUE (dBuV) | CORRECTION FACTOR (dB/m) |
|-----|----------------|-------------------------------|-------------------|----------------|--------------------------|----------------------------|------------------------|--------------------------------|
| 1 | #5647.45 | 51.5 PK | 68.2 | -16.7 | 1.96 V | 89 | 47.6 | 3.9 |
| 2 | *5795.00 | 110.4 PK | | | 1.96 V | 89 | 106.1 | 4.3 |
| 3 | *5795.00 | 97.1 AV | | | 1.96 V | 89 | 92.8 | 4.3 |
| 4 | #5941.28 | 52.1 PK | 68.2 | -16.1 | 1.96 V | 89 | 47.7 | 4.4 |
| 5 | 11590.00 | 50.3 PK | 74.0 | -23.7 | 2.20 V | 27 | 36.1 | 14.2 |
| 6 | 11590.00 | 39.2 AV | 54.0 | -14.8 | 2.20 V | 27 | 25.0 | 14.2 |
| 7 | #17385.00 | 51.1 PK | 68.2 | -17.1 | 1.36 V | 353 | 33.4 | 17.7 |

REMARKS:

1. Emission Level(dBuV/m) = Raw Value(dBuV) + Correction Factor(dB/m)
2. Correction Factor(dB/m) = Antenna Factor(dB/m) + Cable Factor(dB) – Pre-Amplifier Factor(dB)
3. The other emission levels were very low against the limit.
4. Margin value = Emission Level – Limit value
5. " * ": Fundamental frequency.
6. " # ": The radiated frequency is out of the restricted band.

802.11ac (VHT80)

| | | | |
|------------------------|---------------|------------------------------|--------------|
| CHANNEL | TX Channel 42 | DETECTOR FUNCTION | Peak (PK) |
| FREQUENCY RANGE | 1GHz ~ 40GHz | | Average (AV) |

ANTENNA POLARITY & TEST DISTANCE: HORIZONTAL AT 3 M

| NO. | FREQ. (MHz) | EMISSION LEVEL (dBuV/m) | LIMIT (dBuV/m) | MARGIN (dB) | ANTENNA HEIGHT (m) | TABLE ANGLE (Degree) | RAW VALUE (dBuV) | CORRECTION FACTOR (dB/m) |
|-----|----------------|-------------------------------|-------------------|----------------|--------------------------|----------------------------|------------------------|--------------------------------|
| 1 | 5150.00 | 56.6 PK | 74.0 | -17.4 | 1.52 H | 191 | 53.2 | 3.4 |
| 2 | 5150.00 | 41.5 AV | 54.0 | -12.5 | 1.52 H | 191 | 38.1 | 3.4 |
| 3 | *5210.00 | 100.2 PK | | | 1.52 H | 191 | 96.8 | 3.4 |
| 4 | *5210.00 | 89.5 AV | | | 1.52 H | 191 | 86.1 | 3.4 |
| 5 | 5350.00 | 51.4 PK | 74.0 | -22.6 | 1.52 H | 191 | 48.0 | 3.4 |
| 6 | 5350.00 | 38.1 AV | 54.0 | -15.9 | 1.52 H | 191 | 34.7 | 3.4 |
| 7 | #10420.00 | 50.0 PK | 68.2 | -18.2 | 1.20 H | 261 | 36.4 | 13.6 |
| 8 | 15630.00 | 50.2 PK | 74.0 | -23.8 | 1.83 H | 209 | 36.3 | 13.9 |
| 9 | 15630.00 | 38.4 AV | 54.0 | -15.6 | 1.83 H | 209 | 24.5 | 13.9 |

ANTENNA POLARITY & TEST DISTANCE: VERTICAL AT 3 M

| NO. | FREQ. (MHz) | EMISSION LEVEL (dBuV/m) | LIMIT (dBuV/m) | MARGIN (dB) | ANTENNA HEIGHT (m) | TABLE ANGLE (Degree) | RAW VALUE (dBuV) | CORRECTION FACTOR (dB/m) |
|-----|----------------|-------------------------------|-------------------|----------------|--------------------------|----------------------------|------------------------|--------------------------------|
| 1 | 5150.00 | 70.5 PK | 74.0 | -3.5 | 1.55 V | 202 | 67.1 | 3.4 |
| 2 | 5150.00 | 52.5 AV | 54.0 | -1.5 | 1.55 V | 202 | 49.1 | 3.4 |
| 3 | *5210.00 | 104.6 PK | | | 1.55 V | 202 | 101.2 | 3.4 |
| 4 | *5210.00 | 93.6 AV | | | 1.55 V | 202 | 90.2 | 3.4 |
| 5 | 5350.00 | 52.3 PK | 74.0 | -21.7 | 1.55 V | 202 | 48.9 | 3.4 |
| 6 | 5350.00 | 40.1 AV | 54.0 | -13.9 | 1.55 V | 202 | 36.7 | 3.4 |
| 7 | #10420.00 | 49.6 PK | 68.2 | -18.6 | 2.19 V | 15 | 36.0 | 13.6 |
| 8 | 15630.00 | 50.3 PK | 74.0 | -23.7 | 1.41 V | 360 | 36.4 | 13.9 |
| 9 | 15630.00 | 39.4 AV | 54.0 | -14.6 | 1.41 V | 360 | 25.5 | 13.9 |

REMARKS:

- Emission Level(dBuV/m) = Raw Value(dBuV) + Correction Factor(dB/m)
- Correction Factor(dB/m) = Antenna Factor(dB/m) + Cable Factor(dB) – Pre-Amplifier Factor(dB)
- The other emission levels were very low against the limit.
- Margin value = Emission Level – Limit value
- " * ": Fundamental frequency.
- " # ": The radiated frequency is out of the restricted band.

| | | | |
|------------------------|---------------|------------------------------|--------------|
| CHANNEL | TX Channel 58 | DETECTOR FUNCTION | Peak (PK) |
| FREQUENCY RANGE | 1GHz ~ 40GHz | | Average (AV) |

ANTENNA POLARITY & TEST DISTANCE: HORIZONTAL AT 3 M

| NO. | FREQ. (MHz) | EMISSION LEVEL (dBuV/m) | LIMIT (dBuV/m) | MARGIN (dB) | ANTENNA HEIGHT (m) | TABLE ANGLE (Degree) | RAW VALUE (dBuV) | CORRECTION FACTOR (dB/m) |
|-----|----------------|-------------------------------|-------------------|----------------|--------------------------|----------------------------|------------------------|--------------------------------|
| 1 | 5150.00 | 50.9 PK | 74.0 | -23.1 | 1.50 H | 191 | 47.5 | 3.4 |
| 2 | 5150.00 | 38.0 AV | 54.0 | -16.0 | 1.50 H | 191 | 34.6 | 3.4 |
| 3 | *5290.00 | 100.4 PK | | | 1.50 H | 191 | 97.1 | 3.3 |
| 4 | *5290.00 | 89.8 AV | | | 1.50 H | 191 | 86.5 | 3.3 |
| 5 | 5350.00 | 60.9 PK | 74.0 | -13.1 | 1.50 H | 191 | 57.5 | 3.4 |
| 6 | 5350.00 | 42.7 AV | 54.0 | -11.3 | 1.50 H | 191 | 39.3 | 3.4 |
| 7 | #10580.00 | 49.4 PK | 68.2 | -18.8 | 1.18 H | 247 | 35.8 | 13.6 |
| 8 | 15870.00 | 50.5 PK | 74.0 | -23.5 | 1.84 H | 195 | 37.1 | 13.4 |
| 9 | 15870.00 | 38.5 AV | 54.0 | -15.5 | 1.84 H | 195 | 25.1 | 13.4 |

ANTENNA POLARITY & TEST DISTANCE: VERTICAL AT 3 M

| NO. | FREQ. (MHz) | EMISSION LEVEL (dBuV/m) | LIMIT (dBuV/m) | MARGIN (dB) | ANTENNA HEIGHT (m) | TABLE ANGLE (Degree) | RAW VALUE (dBuV) | CORRECTION FACTOR (dB/m) |
|-----|----------------|-------------------------------|-------------------|----------------|--------------------------|----------------------------|------------------------|--------------------------------|
| 1 | 5150.00 | 50.1 PK | 74.0 | -23.9 | 2.41 V | 203 | 46.7 | 3.4 |
| 2 | 5150.00 | 38.9 AV | 54.0 | -15.1 | 2.41 V | 203 | 35.5 | 3.4 |
| 3 | *5290.00 | 104.6 PK | | | 2.41 V | 203 | 101.3 | 3.3 |
| 4 | *5290.00 | 93.9 AV | | | 2.41 V | 203 | 90.6 | 3.3 |
| 5 | 5350.00 | 71.1 PK | 74.0 | -2.9 | 2.41 V | 203 | 67.7 | 3.4 |
| 6 | 5350.00 | 52.4 AV | 54.0 | -1.6 | 2.41 V | 203 | 49.0 | 3.4 |
| 7 | #10580.00 | 49.5 PK | 68.2 | -18.7 | 2.23 V | 12 | 35.9 | 13.6 |
| 8 | 15870.00 | 50.5 PK | 74.0 | -23.5 | 1.35 V | 360 | 37.1 | 13.4 |
| 9 | 15870.00 | 39.5 AV | 54.0 | -14.5 | 1.35 V | 360 | 26.1 | 13.4 |

REMARKS:

1. Emission Level(dBuV/m) = Raw Value(dBuV) + Correction Factor(dB/m)
2. Correction Factor(dB/m) = Antenna Factor(dB/m) + Cable Factor(dB) – Pre-Amplifier Factor(dB)
3. The other emission levels were very low against the limit.
4. Margin value = Emission Level – Limit value
5. " * ": Fundamental frequency.
6. " # ": The radiated frequency is out of the restricted band.

| | | | |
|------------------------|----------------|--------------------------|--------------|
| CHANNEL | TX Channel 106 | DETECTOR FUNCTION | Peak (PK) |
| FREQUENCY RANGE | 1GHz ~ 40GHz | | Average (AV) |

ANTENNA POLARITY & TEST DISTANCE: HORIZONTAL AT 3 M

| NO. | FREQ. (MHz) | EMISSION LEVEL (dBuV/m) | LIMIT (dBuV/m) | MARGIN (dB) | ANTENNA HEIGHT (m) | TABLE ANGLE (Degree) | RAW VALUE (dBuV) | CORRECTION FACTOR (dB/m) |
|-----|-------------|-------------------------|----------------|-------------|--------------------|----------------------|------------------|--------------------------|
| 1 | 5460.00 | 50.2 PK | 74.0 | -23.8 | 1.54 H | 191 | 46.6 | 3.6 |
| 2 | 5460.00 | 37.9 AV | 54.0 | -16.1 | 1.54 H | 191 | 34.3 | 3.6 |
| 3 | #5470.00 | 49.6 PK | 68.2 | -18.6 | 1.54 H | 191 | 46.0 | 3.6 |
| 4 | *5530.00 | 103.3 PK | | | 1.54 H | 191 | 99.6 | 3.7 |
| 5 | *5530.00 | 92.4 AV | | | 1.54 H | 191 | 88.7 | 3.7 |
| 6 | #5725.00 | 48.5 PK | 68.2 | -19.7 | 1.54 H | 191 | 44.3 | 4.2 |
| 7 | 11060.00 | 49.4 PK | 74.0 | -24.6 | 1.17 H | 270 | 35.6 | 13.8 |
| 8 | 11060.00 | 38.6 AV | 54.0 | -15.4 | 1.17 H | 270 | 24.8 | 13.8 |
| 9 | #16590.00 | 50.3 PK | 68.2 | -17.9 | 1.86 H | 198 | 33.9 | 16.4 |

ANTENNA POLARITY & TEST DISTANCE: VERTICAL AT 3 M

| NO. | FREQ. (MHz) | EMISSION LEVEL (dBuV/m) | LIMIT (dBuV/m) | MARGIN (dB) | ANTENNA HEIGHT (m) | TABLE ANGLE (Degree) | RAW VALUE (dBuV) | CORRECTION FACTOR (dB/m) |
|-----|-------------|-------------------------|----------------|-------------|--------------------|----------------------|------------------|--------------------------|
| 1 | 5460.00 | 62.1 PK | 74.0 | -11.9 | 2.34 V | 88 | 58.5 | 3.6 |
| 2 | 5460.00 | 48.8 AV | 54.0 | -5.2 | 2.34 V | 88 | 45.2 | 3.6 |
| 3 | #5470.00 | 66.5 PK | 68.2 | -1.7 | 2.34 V | 88 | 62.9 | 3.6 |
| 4 | *5530.00 | 107.0 PK | | | 2.34 V | 88 | 103.3 | 3.7 |
| 5 | *5530.00 | 96.5 AV | | | 2.34 V | 88 | 92.8 | 3.7 |
| 6 | #5725.00 | 51.8 PK | 68.2 | -16.4 | 2.34 V | 88 | 47.6 | 4.2 |
| 7 | 11060.00 | 49.6 PK | 74.0 | -24.4 | 2.14 V | 21 | 35.8 | 13.8 |
| 8 | 11060.00 | 38.4 AV | 54.0 | -15.6 | 2.14 V | 21 | 24.6 | 13.8 |
| 9 | #16590.00 | 50.1 PK | 68.2 | -18.1 | 1.39 V | 358 | 33.7 | 16.4 |

REMARKS:

1. Emission Level(dBuV/m) = Raw Value(dBuV) + Correction Factor(dB/m)
2. Correction Factor(dB/m) = Antenna Factor(dB/m) + Cable Factor(dB) – Pre-Amplifier Factor(dB)
3. The other emission levels were very low against the limit.
4. Margin value = Emission Level – Limit value
5. " * ": Fundamental frequency.
6. " # ": The radiated frequency is out of the restricted band.

| | | | |
|------------------------|----------------|------------------------------|--------------|
| CHANNEL | TX Channel 122 | DETECTOR FUNCTION | Peak (PK) |
| FREQUENCY RANGE | 1GHz ~ 40GHz | | Average (AV) |

ANTENNA POLARITY & TEST DISTANCE: HORIZONTAL AT 3 M

| NO. | FREQ. (MHz) | EMISSION LEVEL (dBuV/m) | LIMIT (dBuV/m) | MARGIN (dB) | ANTENNA HEIGHT (m) | TABLE ANGLE (Degree) | RAW VALUE (dBuV) | CORRECTION FACTOR (dB/m) |
|-----|----------------|-------------------------------|-------------------|----------------|--------------------------|----------------------------|------------------------|--------------------------------|
| 1 | *5610.00 | 108.3 PK | | | 1.51 H | 195 | 104.5 | 3.8 |
| 2 | *5610.00 | 95.4 AV | | | 1.51 H | 195 | 91.6 | 3.8 |
| 3 | #5725.00 | 53.8 PK | 68.2 | -14.4 | 1.51 H | 195 | 49.6 | 4.2 |
| 4 | 11220.00 | 49.1 PK | 74.0 | -24.9 | 1.18 H | 274 | 35.3 | 13.8 |
| 5 | 11220.00 | 38.1 AV | 54.0 | -15.9 | 1.18 H | 274 | 24.3 | 13.8 |
| 6 | #16830.00 | 49.8 PK | 68.2 | -18.4 | 1.83 H | 195 | 32.6 | 17.2 |

ANTENNA POLARITY & TEST DISTANCE: VERTICAL AT 3 M

| NO. | FREQ. (MHz) | EMISSION LEVEL (dBuV/m) | LIMIT (dBuV/m) | MARGIN (dB) | ANTENNA HEIGHT (m) | TABLE ANGLE (Degree) | RAW VALUE (dBuV) | CORRECTION FACTOR (dB/m) |
|-----|----------------|-------------------------------|-------------------|----------------|--------------------------|----------------------------|------------------------|--------------------------------|
| 1 | *5610.00 | 112.6 PK | | | 2.34 V | 88 | 108.8 | 3.8 |
| 2 | *5610.00 | 99.8 AV | | | 2.34 V | 88 | 96.0 | 3.8 |
| 3 | #5725.00 | 64.8 PK | 68.2 | -3.4 | 2.34 V | 88 | 60.6 | 4.2 |
| 4 | 11220.00 | 49.3 PK | 74.0 | -24.7 | 2.18 V | 23 | 35.5 | 13.8 |
| 5 | 11220.00 | 38.2 AV | 54.0 | -15.8 | 2.18 V | 23 | 24.4 | 13.8 |
| 6 | #16830.00 | 50.1 PK | 68.2 | -18.1 | 1.42 V | 355 | 32.9 | 17.2 |

REMARKS:

1. Emission Level(dBuV/m) = Raw Value(dBuV) + Correction Factor(dB/m)
2. Correction Factor(dB/m) = Antenna Factor(dB/m) + Cable Factor(dB) – Pre-Amplifier Factor(dB)
3. The other emission levels were very low against the limit.
4. Margin value = Emission Level – Limit value
5. " * ": Fundamental frequency.
6. " # ": The radiated frequency is out of the restricted band.

| | | | |
|------------------------|----------------|------------------------------|--------------|
| CHANNEL | TX Channel 138 | DETECTOR FUNCTION | Peak (PK) |
| FREQUENCY RANGE | 1GHz ~ 40GHz | | Average (AV) |

ANTENNA POLARITY & TEST DISTANCE: HORIZONTAL AT 3 M

| NO. | FREQ. (MHz) | EMISSION LEVEL (dBuV/m) | LIMIT (dBuV/m) | MARGIN (dB) | ANTENNA HEIGHT (m) | TABLE ANGLE (Degree) | RAW VALUE (dBuV) | CORRECTION FACTOR (dB/m) |
|-----|----------------|-------------------------------|-------------------|----------------|--------------------------|----------------------------|------------------------|--------------------------------|
| 1 | 5460.00 | 50.3 PK | 74.0 | -23.7 | 1.57 H | 186 | 46.7 | 3.6 |
| 2 | 5460.00 | 37.9 AV | 54.0 | -16.1 | 1.57 H | 186 | 34.3 | 3.6 |
| 3 | #5470.00 | 50.3 PK | 68.2 | -17.9 | 1.57 H | 186 | 46.7 | 3.6 |
| 4 | *5690.00 | 108.3 PK | | | 1.57 H | 186 | 104.1 | 4.2 |
| 5 | *5690.00 | 106.3 AV | | | 1.57 H | 186 | 102.1 | 4.2 |
| 6 | #5850.00 | 51.1 PK | 68.2 | -17.1 | 1.57 H | 186 | 46.6 | 4.5 |
| 7 | 11380.00 | 49.6 PK | 74.0 | -24.4 | 1.17 H | 277 | 35.4 | 14.2 |
| 8 | 11380.00 | 38.8 AV | 54.0 | -15.2 | 1.17 H | 277 | 24.6 | 14.2 |
| 9 | #17070.00 | 49.6 PK | 68.2 | -18.6 | 1.82 H | 208 | 32.0 | 17.6 |

ANTENNA POLARITY & TEST DISTANCE: VERTICAL AT 3 M

| NO. | FREQ. (MHz) | EMISSION LEVEL (dBuV/m) | LIMIT (dBuV/m) | MARGIN (dB) | ANTENNA HEIGHT (m) | TABLE ANGLE (Degree) | RAW VALUE (dBuV) | CORRECTION FACTOR (dB/m) |
|-----|----------------|-------------------------------|-------------------|----------------|--------------------------|----------------------------|------------------------|--------------------------------|
| 1 | 5460.00 | 52.6 PK | 74.0 | -21.4 | 2.34 V | 87 | 49.0 | 3.6 |
| 2 | 5460.00 | 40.1 AV | 54.0 | -13.9 | 2.34 V | 87 | 36.5 | 3.6 |
| 3 | #5470.00 | 53.5 PK | 68.2 | -14.7 | 2.34 V | 87 | 49.9 | 3.6 |
| 4 | *5690.00 | 112.2 PK | | | 2.34 V | 87 | 108.0 | 4.2 |
| 5 | *5690.00 | 100.4 AV | | | 2.34 V | 87 | 96.2 | 4.2 |
| 6 | #5850.00 | 55.3 PK | 68.2 | -12.9 | 2.34 V | 87 | 50.8 | 4.5 |
| 7 | 11380.00 | 49.4 PK | 74.0 | -24.6 | 2.15 V | 33 | 35.2 | 14.2 |
| 8 | 11380.00 | 38.2 AV | 54.0 | -15.8 | 2.15 V | 33 | 24.0 | 14.2 |
| 9 | #17070.00 | 50.4 PK | 68.2 | -17.8 | 1.43 V | 360 | 32.8 | 17.6 |

REMARKS:

1. Emission Level(dBuV/m) = Raw Value(dBuV) + Correction Factor(dB/m)
2. Correction Factor(dB/m) = Antenna Factor(dB/m) + Cable Factor(dB) – Pre-Amplifier Factor(dB)
3. The other emission levels were very low against the limit.
4. Margin value = Emission Level – Limit value
5. " * ": Fundamental frequency.
6. " # ": The radiated frequency is out of the restricted band.

| | | | |
|------------------------|----------------|------------------------------|--------------|
| CHANNEL | TX Channel 155 | DETECTOR FUNCTION | Peak (PK) |
| FREQUENCY RANGE | 1GHz ~ 40GHz | | Average (AV) |

ANTENNA POLARITY & TEST DISTANCE: HORIZONTAL AT 3 M

| NO. | FREQ. (MHz) | EMISSION LEVEL (dBuV/m) | LIMIT (dBuV/m) | MARGIN (dB) | ANTENNA HEIGHT (m) | TABLE ANGLE (Degree) | RAW VALUE (dBuV) | CORRECTION FACTOR (dB/m) |
|-----|----------------|-------------------------------|-------------------|----------------|--------------------------|----------------------------|------------------------|--------------------------------|
| 1 | #5646.37 | 55.6 PK | 68.2 | -12.6 | 1.00 H | 218 | 51.7 | 3.9 |
| 2 | *5775.00 | 102.4 PK | | | 1.00 H | 218 | 98.1 | 4.3 |
| 3 | *5775.00 | 89.4 AV | | | 1.00 H | 218 | 85.1 | 4.3 |
| 4 | #5924.40 | 50.8 PK | 68.6 | -17.8 | 1.00 H | 218 | 46.5 | 4.3 |
| 5 | 11550.00 | 49.4 PK | 74.0 | -24.6 | 1.14 H | 285 | 35.2 | 14.2 |
| 6 | 11550.00 | 38.5 AV | 54.0 | -15.5 | 1.14 H | 285 | 24.3 | 14.2 |
| 7 | #17325.00 | 50.7 PK | 68.2 | -17.5 | 1.82 H | 205 | 33.2 | 17.5 |

ANTENNA POLARITY & TEST DISTANCE: VERTICAL AT 3 M

| NO. | FREQ. (MHz) | EMISSION LEVEL (dBuV/m) | LIMIT (dBuV/m) | MARGIN (dB) | ANTENNA HEIGHT (m) | TABLE ANGLE (Degree) | RAW VALUE (dBuV) | CORRECTION FACTOR (dB/m) |
|-----|----------------|-------------------------------|-------------------|----------------|--------------------------|----------------------------|------------------------|--------------------------------|
| 1 | #5632.03 | 65.2 PK | 68.2 | -3.0 | 2.33 V | 80 | 61.4 | 3.8 |
| 2 | *5775.00 | 111.3 PK | | | 2.33 V | 80 | 107.0 | 4.3 |
| 3 | *5775.00 | 98.7 AV | | | 2.33 V | 80 | 94.4 | 4.3 |
| 4 | #5935.40 | 58.9 PK | 68.2 | -9.3 | 2.33 V | 80 | 54.5 | 4.4 |
| 5 | 11550.00 | 49.9 PK | 74.0 | -24.1 | 2.12 V | 16 | 35.7 | 14.2 |
| 6 | 11550.00 | 38.8 AV | 54.0 | -15.2 | 2.12 V | 16 | 24.6 | 14.2 |
| 7 | #17325.00 | 50.2 PK | 68.2 | -18.0 | 1.42 V | 344 | 32.7 | 17.5 |

REMARKS:

1. Emission Level(dBuV/m) = Raw Value(dBuV) + Correction Factor(dB/m)
2. Correction Factor(dB/m) = Antenna Factor(dB/m) + Cable Factor(dB) – Pre-Amplifier Factor(dB)
3. The other emission levels were very low against the limit.
4. Margin value = Emission Level – Limit value
5. " * ": Fundamental frequency.
6. " # ": The radiated frequency is out of the restricted band.

Below 1GHz Data:
802.11ac (VHT20)

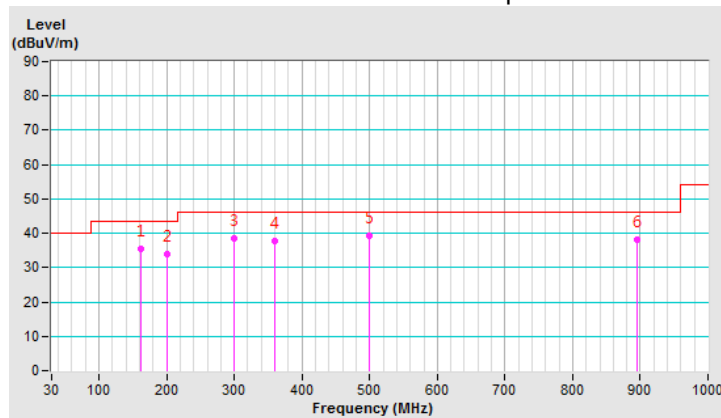
| | | | |
|------------------------|----------------|--------------------------|-----------------|
| CHANNEL | TX Channel 157 | DETECTOR FUNCTION | Quasi-Peak (QP) |
| FREQUENCY RANGE | 9kHz ~ 1GHz | | |

ANTENNA POLARITY & TEST DISTANCE: HORIZONTAL AT 3 M

| NO. | FREQ. (MHz) | EMISSION LEVEL (dBuV/m) | LIMIT (dBuV/m) | MARGIN (dB) | ANTENNA HEIGHT (m) | TABLE ANGLE (Degree) | RAW VALUE (dBuV) | CORRECTION FACTOR (dB/m) |
|-----|-------------|-------------------------|----------------|-------------|--------------------|----------------------|------------------|--------------------------|
| 1 | 161.87 | 35.4 QP | 43.5 | -8.1 | 2.00 H | 243 | 43.1 | -7.7 |
| 2 | 199.82 | 33.9 QP | 43.5 | -9.6 | 1.50 H | 18 | 44.8 | -10.9 |
| 3 | 298.84 | 38.4 QP | 46.0 | -7.6 | 1.00 H | 353 | 45.2 | -6.8 |
| 4 | 359.80 | 37.7 QP | 46.0 | -8.3 | 1.00 H | 277 | 43.1 | -5.4 |
| 5 | 499.50 | 39.1 QP | 46.0 | -6.9 | 1.50 H | 227 | 40.8 | -1.7 |
| 6 | 896.11 | 38.1 QP | 46.0 | -7.9 | 1.50 H | 234 | 32.4 | 5.7 |

REMARKS:

1. Emission Level(dBuV/m) = Raw Value(dBuV) + Correction Factor(dB/m)
2. Correction Factor(dB/m) = Antenna Factor(dB/m) + Cable Factor(dB) – Pre-Amplifier Factor(dB)
3. Margin value = Emission Level – Limit value
4. The other emission levels were very low against the limit of frequency range 30MHz~1000MHz.
5. The emission levels were very low against the limit of frequency range 9kHz~30MHz: the amplitude of spurious emissions attenuated more than 20 dB below the permissible value to be report.



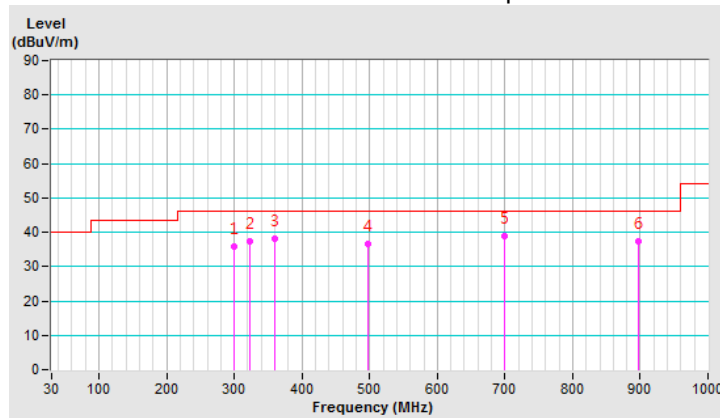
| | | | |
|------------------------|----------------|--------------------------|-----------------|
| CHANNEL | TX Channel 157 | DETECTOR FUNCTION | Quasi-Peak (QP) |
| FREQUENCY RANGE | 9kHz ~ 1GHz | | |

ANTENNA POLARITY & TEST DISTANCE: VERTICAL AT 3 M

| NO. | FREQ. (MHz) | EMISSION LEVEL (dBuV/m) | LIMIT (dBuV/m) | MARGIN (dB) | ANTENNA HEIGHT (m) | TABLE ANGLE (Degree) | RAW VALUE (dBuV) | CORRECTION FACTOR (dB/m) |
|-----|-------------|-------------------------|----------------|-------------|--------------------|----------------------|------------------|--------------------------|
| 1 | 299.78 | 35.9 QP | 46.0 | -10.1 | 1.50 V | 210 | 42.6 | -6.7 |
| 2 | 323.79 | 37.4 QP | 46.0 | -8.6 | 1.50 V | 285 | 43.4 | -6.0 |
| 3 | 359.92 | 38.2 QP | 46.0 | -7.8 | 1.50 V | 0 | 43.6 | -5.4 |
| 4 | 497.98 | 36.6 QP | 46.0 | -9.4 | 1.00 V | 297 | 38.3 | -1.7 |
| 5 | 699.42 | 38.8 QP | 46.0 | -7.2 | 1.00 V | 284 | 36.5 | 2.3 |
| 6 | 896.23 | 37.2 QP | 46.0 | -8.8 | 1.50 V | 277 | 31.5 | 5.7 |

REMARKS:

1. Emission Level(dBuV/m) = Raw Value(dBuV) + Correction Factor(dB/m)
2. Correction Factor(dB/m) = Antenna Factor(dB/m) + Cable Factor(dB) – Pre-Amplifier Factor(dB)
3. Margin value = Emission Level – Limit value
4. The other emission levels were very low against the limit of frequency range 30MHz~1000MHz.
5. The emission levels were very low against the limit of frequency range 9kHz~30MHz: the amplitude of spurious emissions attenuated more than 20 dB below the permissible value to be report.



PIFA Antenna

Above 1GHz Data:

802.11a

| | | | |
|------------------------|---------------|------------------------------|--------------|
| CHANNEL | TX Channel 36 | DETECTOR FUNCTION | Peak (PK) |
| FREQUENCY RANGE | 1GHz ~ 40GHz | | Average (AV) |

ANTENNA POLARITY & TEST DISTANCE: HORIZONTAL AT 3 M

| NO. | FREQ. (MHz) | EMISSION LEVEL (dBuV/m) | LIMIT (dBuV/m) | MARGIN (dB) | ANTENNA HEIGHT (m) | TABLE ANGLE (Degree) | RAW VALUE (dBuV) | CORRECTION FACTOR (dB/m) |
|-----|----------------|-------------------------------|-------------------|----------------|--------------------------|----------------------------|------------------------|--------------------------------|
| 1 | 5150.00 | 70.1 PK | 74.0 | -3.9 | 1.67 H | 270 | 66.7 | 3.4 |
| 2 | 5150.00 | 52.5 AV | 54.0 | -1.5 | 1.67 H | 270 | 49.1 | 3.4 |
| 3 | *5180.00 | 114.7 PK | | | 1.67 H | 270 | 111.3 | 3.4 |
| 4 | *5180.00 | 103.6 AV | | | 1.67 H | 270 | 100.2 | 3.4 |
| 5 | #10360.00 | 53.3 PK | 68.2 | -14.9 | 3.65 H | 243 | 39.8 | 13.5 |
| 6 | 15540.00 | 50.7 PK | 74.0 | -23.3 | 3.72 H | 58 | 36.9 | 13.8 |
| 7 | 15540.00 | 38.1 AV | 54.0 | -15.9 | 3.72 H | 58 | 24.3 | 13.8 |

ANTENNA POLARITY & TEST DISTANCE: VERTICAL AT 3 M

| NO. | FREQ. (MHz) | EMISSION LEVEL (dBuV/m) | LIMIT (dBuV/m) | MARGIN (dB) | ANTENNA HEIGHT (m) | TABLE ANGLE (Degree) | RAW VALUE (dBuV) | CORRECTION FACTOR (dB/m) |
|-----|----------------|-------------------------------|-------------------|----------------|--------------------------|----------------------------|------------------------|--------------------------------|
| 1 | 5150.00 | 64.3 PK | 74.0 | -9.7 | 4.00 V | 238 | 60.9 | 3.4 |
| 2 | 5150.00 | 49.1 AV | 54.0 | -4.9 | 4.00 V | 238 | 45.7 | 3.4 |
| 3 | *5180.00 | 112.2 PK | | | 4.00 V | 238 | 108.8 | 3.4 |
| 4 | *5180.00 | 101.6 AV | | | 4.00 V | 238 | 98.2 | 3.4 |
| 5 | #10360.00 | 50.0 PK | 68.2 | -18.2 | 2.20 V | 301 | 36.5 | 13.5 |
| 6 | 15540.00 | 55.5 PK | 74.0 | -18.5 | 3.03 V | 354 | 41.7 | 13.8 |
| 7 | 15540.00 | 42.2 AV | 54.0 | -11.8 | 3.03 V | 354 | 28.4 | 13.8 |

REMARKS:

1. Emission Level(dBuV/m) = Raw Value(dBuV) + Correction Factor(dB/m)
2. Correction Factor(dB/m) = Antenna Factor(dB/m) + Cable Factor(dB) – Pre-Amplifier Factor(dB)
3. The other emission levels were very low against the limit.
4. Margin value = Emission Level – Limit value
5. " * ": Fundamental frequency.
6. " # ": The radiated frequency is out of the restricted band.

| | | | |
|------------------------|---------------|------------------------------|--------------|
| CHANNEL | TX Channel 40 | DETECTOR FUNCTION | Peak (PK) |
| FREQUENCY RANGE | 1GHz ~ 40GHz | | Average (AV) |

ANTENNA POLARITY & TEST DISTANCE: HORIZONTAL AT 3 M

| NO. | FREQ. (MHz) | EMISSION LEVEL (dBuV/m) | LIMIT (dBuV/m) | MARGIN (dB) | ANTENNA HEIGHT (m) | TABLE ANGLE (Degree) | RAW VALUE (dBuV) | CORRECTION FACTOR (dB/m) |
|-----|----------------|-------------------------------|-------------------|----------------|--------------------------|----------------------------|------------------------|--------------------------------|
| 1 | 5150.00 | 56.1 PK | 74.0 | -17.9 | 1.77 H | 266 | 52.7 | 3.4 |
| 2 | 5150.00 | 42.7 AV | 54.0 | -11.3 | 1.77 H | 266 | 39.3 | 3.4 |
| 3 | *5200.00 | 115.6 PK | | | 1.77 H | 266 | 112.2 | 3.4 |
| 4 | *5200.00 | 104.6 AV | | | 1.77 H | 266 | 101.2 | 3.4 |
| 5 | #10400.00 | 53.5 PK | 68.2 | -14.7 | 3.70 H | 272 | 39.9 | 13.6 |
| 6 | 15600.00 | 51.5 PK | 74.0 | -22.5 | 3.61 H | 64 | 37.7 | 13.8 |
| 7 | 15600.00 | 38.9 AV | 54.0 | -15.1 | 3.61 H | 64 | 25.1 | 13.8 |

ANTENNA POLARITY & TEST DISTANCE: VERTICAL AT 3 M

| NO. | FREQ. (MHz) | EMISSION LEVEL (dBuV/m) | LIMIT (dBuV/m) | MARGIN (dB) | ANTENNA HEIGHT (m) | TABLE ANGLE (Degree) | RAW VALUE (dBuV) | CORRECTION FACTOR (dB/m) |
|-----|----------------|-------------------------------|-------------------|----------------|--------------------------|----------------------------|------------------------|--------------------------------|
| 1 | 5150.00 | 55.3 PK | 74.0 | -18.7 | 3.83 V | 239 | 51.9 | 3.4 |
| 2 | 5150.00 | 41.0 AV | 54.0 | -13.0 | 3.83 V | 239 | 37.6 | 3.4 |
| 3 | *5200.00 | 113.4 PK | | | 3.83 V | 239 | 110.0 | 3.4 |
| 4 | *5200.00 | 102.2 AV | | | 3.83 V | 239 | 98.8 | 3.4 |
| 5 | #10400.00 | 50.3 PK | 68.2 | -17.9 | 2.19 V | 299 | 36.7 | 13.6 |
| 6 | 15600.00 | 55.1 PK | 74.0 | -18.9 | 2.99 V | 359 | 41.3 | 13.8 |
| 7 | 15600.00 | 42.1 AV | 54.0 | -11.9 | 2.99 V | 359 | 28.3 | 13.8 |

REMARKS:

1. Emission Level(dBuV/m) = Raw Value(dBuV) + Correction Factor(dB/m)
2. Correction Factor(dB/m) = Antenna Factor(dB/m) + Cable Factor(dB) – Pre-Amplifier Factor(dB)
3. The other emission levels were very low against the limit.
4. Margin value = Emission Level – Limit value
5. " * ": Fundamental frequency.
6. " # ": The radiated frequency is out of the restricted band.

| | | | |
|------------------------|---------------|--------------------------|--------------|
| CHANNEL | TX Channel 48 | DETECTOR FUNCTION | Peak (PK) |
| FREQUENCY RANGE | 1GHz ~ 40GHz | | Average (AV) |

ANTENNA POLARITY & TEST DISTANCE: HORIZONTAL AT 3 M

| NO. | FREQ. (MHz) | EMISSION LEVEL (dBuV/m) | LIMIT (dBuV/m) | MARGIN (dB) | ANTENNA HEIGHT (m) | TABLE ANGLE (Degree) | RAW VALUE (dBuV) | CORRECTION FACTOR (dB/m) |
|-----|-------------|-------------------------|----------------|-------------|--------------------|----------------------|------------------|--------------------------|
| 1 | 5150.00 | 50.6 PK | 74.0 | -23.4 | 1.68 H | 277 | 47.2 | 3.4 |
| 2 | 5150.00 | 40.7 AV | 54.0 | -13.3 | 1.68 H | 277 | 37.3 | 3.4 |
| 3 | *5240.00 | 115.4 PK | | | 1.68 H | 277 | 112.1 | 3.3 |
| 4 | *5240.00 | 104.3 AV | | | 1.68 H | 277 | 101.0 | 3.3 |
| 5 | 5350.00 | 51.7 PK | 74.0 | -22.3 | 1.68 H | 277 | 48.3 | 3.4 |
| 6 | 5350.00 | 39.7 AV | 54.0 | -14.3 | 1.68 H | 277 | 36.3 | 3.4 |
| 7 | #10480.00 | 53.4 PK | 68.2 | -14.8 | 3.70 H | 257 | 39.6 | 13.8 |
| 8 | 15720.00 | 51.3 PK | 74.0 | -22.7 | 3.67 H | 74 | 37.5 | 13.8 |
| 9 | 15720.00 | 38.5 AV | 54.0 | -15.5 | 3.67 H | 74 | 24.7 | 13.8 |

ANTENNA POLARITY & TEST DISTANCE: VERTICAL AT 3 M

| NO. | FREQ. (MHz) | EMISSION LEVEL (dBuV/m) | LIMIT (dBuV/m) | MARGIN (dB) | ANTENNA HEIGHT (m) | TABLE ANGLE (Degree) | RAW VALUE (dBuV) | CORRECTION FACTOR (dB/m) |
|-----|-------------|-------------------------|----------------|-------------|--------------------|----------------------|------------------|--------------------------|
| 1 | 5150.00 | 48.4 PK | 74.0 | -25.6 | 3.97 V | 240 | 45.0 | 3.4 |
| 2 | 5150.00 | 40.4 AV | 54.0 | -13.6 | 3.97 V | 240 | 37.0 | 3.4 |
| 3 | *5240.00 | 113.7 PK | | | 3.97 V | 240 | 110.4 | 3.3 |
| 4 | *5240.00 | 102.0 AV | | | 3.97 V | 240 | 98.7 | 3.3 |
| 5 | 5350.00 | 50.2 PK | 74.0 | -23.8 | 3.97 V | 240 | 46.8 | 3.4 |
| 6 | 5350.00 | 40.6 AV | 54.0 | -13.4 | 3.97 V | 240 | 37.2 | 3.4 |
| 7 | #10480.00 | 50.3 PK | 68.2 | -17.9 | 2.24 V | 290 | 36.5 | 13.8 |
| 8 | 15720.00 | 55.6 PK | 74.0 | -18.4 | 3.05 V | 360 | 41.8 | 13.8 |
| 9 | 15720.00 | 42.3 AV | 54.0 | -11.7 | 3.05 V | 360 | 28.5 | 13.8 |

REMARKS:

1. Emission Level(dBuV/m) = Raw Value(dBuV) + Correction Factor(dB/m)
2. Correction Factor(dB/m) = Antenna Factor(dB/m) + Cable Factor(dB) – Pre-Amplifier Factor(dB)
3. The other emission levels were very low against the limit.
4. Margin value = Emission Level – Limit value
5. " * ": Fundamental frequency.
6. " # ": The radiated frequency is out of the restricted band.

| | | | |
|------------------------|---------------|--------------------------|--------------|
| CHANNEL | TX Channel 52 | DETECTOR FUNCTION | Peak (PK) |
| FREQUENCY RANGE | 1GHz ~ 40GHz | | Average (AV) |

ANTENNA POLARITY & TEST DISTANCE: HORIZONTAL AT 3 M

| NO. | FREQ. (MHz) | EMISSION LEVEL (dBuV/m) | LIMIT (dBuV/m) | MARGIN (dB) | ANTENNA HEIGHT (m) | TABLE ANGLE (Degree) | RAW VALUE (dBuV) | CORRECTION FACTOR (dB/m) |
|-----|-------------|-------------------------|----------------|-------------|--------------------|----------------------|------------------|--------------------------|
| 1 | 5150.00 | 51.8 PK | 74.0 | -22.2 | 1.78 H | 275 | 48.4 | 3.4 |
| 2 | 5150.00 | 40.3 AV | 54.0 | -13.7 | 1.78 H | 275 | 36.9 | 3.4 |
| 3 | *5260.00 | 116.8 PK | | | 1.78 H | 275 | 113.6 | 3.2 |
| 4 | *5260.00 | 105.3 AV | | | 1.78 H | 275 | 102.1 | 3.2 |
| 5 | 5350.00 | 52.1 PK | 74.0 | -21.9 | 1.78 H | 275 | 48.7 | 3.4 |
| 6 | 5350.00 | 40.1 AV | 54.0 | -13.9 | 1.78 H | 275 | 36.7 | 3.4 |
| 7 | #10520.00 | 53.9 PK | 68.2 | -14.3 | 3.68 H | 245 | 40.0 | 13.9 |
| 8 | 15780.00 | 51.0 PK | 74.0 | -23.0 | 3.69 H | 80 | 37.3 | 13.7 |
| 9 | 15780.00 | 38.1 AV | 54.0 | -15.9 | 3.69 H | 80 | 24.4 | 13.7 |

ANTENNA POLARITY & TEST DISTANCE: VERTICAL AT 3 M

| NO. | FREQ. (MHz) | EMISSION LEVEL (dBuV/m) | LIMIT (dBuV/m) | MARGIN (dB) | ANTENNA HEIGHT (m) | TABLE ANGLE (Degree) | RAW VALUE (dBuV) | CORRECTION FACTOR (dB/m) |
|-----|-------------|-------------------------|----------------|-------------|--------------------|----------------------|------------------|--------------------------|
| 1 | 5150.00 | 49.9 PK | 74.0 | -24.1 | 4.00 V | 238 | 46.5 | 3.4 |
| 2 | 5150.00 | 39.4 AV | 54.0 | -14.6 | 4.00 V | 238 | 36.0 | 3.4 |
| 3 | *5260.00 | 113.9 PK | | | 4.00 V | 238 | 110.7 | 3.2 |
| 4 | *5260.00 | 103.8 AV | | | 4.00 V | 238 | 100.6 | 3.2 |
| 5 | 5350.00 | 51.7 PK | 74.0 | -22.3 | 4.00 V | 238 | 48.3 | 3.4 |
| 6 | 5350.00 | 40.6 AV | 54.0 | -13.4 | 4.00 V | 238 | 37.2 | 3.4 |
| 7 | #10520.00 | 50.3 PK | 68.2 | -17.9 | 2.23 V | 276 | 36.4 | 13.9 |
| 8 | 15780.00 | 55.2 PK | 74.0 | -18.8 | 2.99 V | 360 | 41.5 | 13.7 |
| 9 | 15780.00 | 42.0 AV | 54.0 | -12.0 | 2.99 V | 360 | 28.3 | 13.7 |

REMARKS:

1. Emission Level(dBuV/m) = Raw Value(dBuV) + Correction Factor(dB/m)
2. Correction Factor(dB/m) = Antenna Factor(dB/m) + Cable Factor(dB) – Pre-Amplifier Factor(dB)
3. The other emission levels were very low against the limit.
4. Margin value = Emission Level – Limit value
5. " * ": Fundamental frequency.
6. " # ": The radiated frequency is out of the restricted band.

| | | | |
|------------------------|---------------|------------------------------|--------------|
| CHANNEL | TX Channel 60 | DETECTOR FUNCTION | Peak (PK) |
| FREQUENCY RANGE | 1GHz ~ 40GHz | | Average (AV) |

ANTENNA POLARITY & TEST DISTANCE: HORIZONTAL AT 3 M

| NO. | FREQ. (MHz) | EMISSION LEVEL (dBuV/m) | LIMIT (dBuV/m) | MARGIN (dB) | ANTENNA HEIGHT (m) | TABLE ANGLE (Degree) | RAW VALUE (dBuV) | CORRECTION FACTOR (dB/m) |
|-----|----------------|-------------------------------|-------------------|----------------|--------------------------|----------------------------|------------------------|--------------------------------|
| 1 | *5300.00 | 116.2 PK | | | 1.76 H | 268 | 112.9 | 3.3 |
| 2 | *5300.00 | 105.3 AV | | | 1.76 H | 268 | 102.0 | 3.3 |
| 3 | 5350.00 | 56.9 PK | 74.0 | -17.1 | 1.76 H | 268 | 53.5 | 3.4 |
| 4 | 5350.00 | 41.6 AV | 54.0 | -12.4 | 1.76 H | 268 | 38.2 | 3.4 |
| 5 | 10600.00 | 53.2 PK | 74.0 | -20.8 | 3.64 H | 255 | 39.7 | 13.5 |
| 6 | 10600.00 | 39.8 AV | 54.0 | -14.2 | 3.64 H | 255 | 26.3 | 13.5 |
| 7 | 15900.00 | 51.8 PK | 74.0 | -22.2 | 3.72 H | 79 | 38.5 | 13.3 |
| 8 | 15900.00 | 39.0 AV | 54.0 | -15.0 | 3.72 H | 79 | 25.7 | 13.3 |

ANTENNA POLARITY & TEST DISTANCE: VERTICAL AT 3 M

| NO. | FREQ. (MHz) | EMISSION LEVEL (dBuV/m) | LIMIT (dBuV/m) | MARGIN (dB) | ANTENNA HEIGHT (m) | TABLE ANGLE (Degree) | RAW VALUE (dBuV) | CORRECTION FACTOR (dB/m) |
|-----|----------------|-------------------------------|-------------------|----------------|--------------------------|----------------------------|------------------------|--------------------------------|
| 1 | *5300.00 | 113.8 PK | | | 3.94 V | 82 | 110.5 | 3.3 |
| 2 | *5300.00 | 103.5 AV | | | 3.94 V | 82 | 100.2 | 3.3 |
| 3 | 5350.00 | 56.1 PK | 74.0 | -17.9 | 3.94 V | 82 | 52.7 | 3.4 |
| 4 | 5350.00 | 42.1 AV | 54.0 | -11.9 | 3.94 V | 82 | 38.7 | 3.4 |
| 5 | 10600.00 | 50.4 PK | 74.0 | -23.6 | 2.28 V | 286 | 36.9 | 13.5 |
| 6 | 10600.00 | 38.8 AV | 54.0 | -15.2 | 2.28 V | 286 | 25.3 | 13.5 |
| 7 | 15900.00 | 55.7 PK | 74.0 | -18.3 | 3.07 V | 360 | 42.4 | 13.3 |
| 8 | 15900.00 | 42.4 AV | 54.0 | -11.6 | 3.07 V | 360 | 29.1 | 13.3 |

REMARKS:

1. Emission Level(dBuV/m) = Raw Value(dBuV) + Correction Factor(dB/m)
2. Correction Factor(dB/m) = Antenna Factor(dB/m) + Cable Factor(dB) – Pre-Amplifier Factor(dB)
3. The other emission levels were very low against the limit.
4. Margin value = Emission Level – Limit value
5. " * ": Fundamental frequency.

| | | | |
|------------------------|---------------|--------------------------|--------------|
| CHANNEL | TX Channel 64 | DETECTOR FUNCTION | Peak (PK) |
| FREQUENCY RANGE | 1GHz ~ 40GHz | | Average (AV) |

ANTENNA POLARITY & TEST DISTANCE: HORIZONTAL AT 3 M

| NO. | FREQ. (MHz) | EMISSION LEVEL (dBuV/m) | LIMIT (dBuV/m) | MARGIN (dB) | ANTENNA HEIGHT (m) | TABLE ANGLE (Degree) | RAW VALUE (dBuV) | CORRECTION FACTOR (dB/m) |
|----------|----------------|-------------------------|----------------|-------------|--------------------|----------------------|------------------|--------------------------|
| 1 | *5320.00 | 115.9 PK | | | 1.74 H | 271 | 112.6 | 3.3 |
| 2 | *5320.00 | 104.7 AV | | | 1.74 H | 271 | 101.4 | 3.3 |
| 3 | 5350.00 | 71.8 PK | 74.0 | -2.2 | 1.74 H | 271 | 68.4 | 3.4 |
| 4 | 5350.00 | 52.5 AV | 54.0 | -1.5 | 1.74 H | 271 | 49.1 | 3.4 |
| 5 | 10640.00 | 53.9 PK | 74.0 | -20.1 | 3.75 H | 258 | 40.2 | 13.7 |
| 6 | 10640.00 | 40.6 AV | 54.0 | -13.4 | 3.75 H | 258 | 26.9 | 13.7 |
| 7 | 15960.00 | 50.8 PK | 74.0 | -23.2 | 3.67 H | 68 | 37.2 | 13.6 |
| 8 | 15960.00 | 38.1 AV | 54.0 | -15.9 | 3.67 H | 68 | 24.5 | 13.6 |

ANTENNA POLARITY & TEST DISTANCE: VERTICAL AT 3 M

| NO. | FREQ. (MHz) | EMISSION LEVEL (dBuV/m) | LIMIT (dBuV/m) | MARGIN (dB) | ANTENNA HEIGHT (m) | TABLE ANGLE (Degree) | RAW VALUE (dBuV) | CORRECTION FACTOR (dB/m) |
|-----|-------------|-------------------------|----------------|-------------|--------------------|----------------------|------------------|--------------------------|
| 1 | *5320.00 | 113.8 PK | | | 3.99 V | 79 | 110.5 | 3.3 |
| 2 | *5320.00 | 102.8 AV | | | 3.99 V | 79 | 99.5 | 3.3 |
| 3 | 5350.00 | 70.2 PK | 74.0 | -3.8 | 3.99 V | 79 | 66.8 | 3.4 |
| 4 | 5350.00 | 50.5 AV | 54.0 | -3.5 | 3.99 V | 79 | 47.1 | 3.4 |
| 5 | 10640.00 | 50.0 PK | 74.0 | -24.0 | 2.21 V | 295 | 36.3 | 13.7 |
| 6 | 10640.00 | 38.6 AV | 54.0 | -15.4 | 2.21 V | 295 | 24.9 | 13.7 |
| 7 | 15960.00 | 55.4 PK | 74.0 | -18.6 | 3.01 V | 357 | 41.8 | 13.6 |
| 8 | 15960.00 | 41.9 AV | 54.0 | -12.1 | 3.01 V | 357 | 28.3 | 13.6 |

REMARKS:

1. Emission Level(dBuV/m) = Raw Value(dBuV) + Correction Factor(dB/m)
2. Correction Factor(dB/m) = Antenna Factor(dB/m) + Cable Factor(dB) – Pre-Amplifier Factor(dB)
3. The other emission levels were very low against the limit.
4. Margin value = Emission Level – Limit value
5. " * ": Fundamental frequency.

| | | | |
|------------------------|----------------|------------------------------|--------------|
| CHANNEL | TX Channel 100 | DETECTOR FUNCTION | Peak (PK) |
| FREQUENCY RANGE | 1GHz ~ 40GHz | | Average (AV) |

ANTENNA POLARITY & TEST DISTANCE: HORIZONTAL AT 3 M

| NO. | FREQ. (MHz) | EMISSION LEVEL (dBuV/m) | LIMIT (dBuV/m) | MARGIN (dB) | ANTENNA HEIGHT (m) | TABLE ANGLE (Degree) | RAW VALUE (dBuV) | CORRECTION FACTOR (dB/m) |
|-----|----------------|-------------------------------|-------------------|----------------|--------------------------|----------------------------|------------------------|--------------------------------|
| 1 | 5460.00 | 53.6 PK | 74.0 | -20.4 | 1.64 H | 268 | 50.0 | 3.6 |
| 2 | 5460.00 | 41.6 AV | 54.0 | -12.4 | 1.64 H | 268 | 38.0 | 3.6 |
| 3 | #5470.00 | 65.1 PK | 68.2 | -3.1 | 1.64 H | 268 | 61.5 | 3.6 |
| 4 | *5500.00 | 113.4 PK | | | 1.64 H | 268 | 109.7 | 3.7 |
| 5 | *5500.00 | 102.1 AV | | | 1.64 H | 268 | 98.4 | 3.7 |
| 6 | 11000.00 | 52.8 PK | 74.0 | -21.2 | 3.70 H | 251 | 38.8 | 14.0 |
| 7 | 11000.00 | 39.7 AV | 54.0 | -14.3 | 3.70 H | 251 | 25.7 | 14.0 |
| 8 | #16500.00 | 51.1 PK | 68.2 | -17.1 | 3.69 H | 72 | 35.3 | 15.8 |

ANTENNA POLARITY & TEST DISTANCE: VERTICAL AT 3 M

| NO. | FREQ. (MHz) | EMISSION LEVEL (dBuV/m) | LIMIT (dBuV/m) | MARGIN (dB) | ANTENNA HEIGHT (m) | TABLE ANGLE (Degree) | RAW VALUE (dBuV) | CORRECTION FACTOR (dB/m) |
|-----|----------------|-------------------------------|-------------------|----------------|--------------------------|----------------------------|------------------------|--------------------------------|
| 1 | 5460.00 | 50.5 PK | 74.0 | -23.5 | 2.88 V | 183 | 46.9 | 3.6 |
| 2 | 5460.00 | 40.9 AV | 54.0 | -13.1 | 2.88 V | 183 | 37.3 | 3.6 |
| 3 | #5470.00 | 60.8 PK | 68.2 | -7.4 | 2.88 V | 183 | 57.2 | 3.6 |
| 4 | *5500.00 | 108.4 PK | | | 2.88 V | 183 | 104.7 | 3.7 |
| 5 | *5500.00 | 96.5 AV | | | 2.88 V | 183 | 92.8 | 3.7 |
| 6 | 11000.00 | 50.5 PK | 74.0 | -23.5 | 2.29 V | 284 | 36.5 | 14.0 |
| 7 | 11000.00 | 39.4 AV | 54.0 | -14.6 | 2.29 V | 284 | 25.4 | 14.0 |
| 8 | #16500.00 | 55.4 PK | 68.2 | -12.8 | 3.11 V | 360 | 39.6 | 15.8 |

REMARKS:

1. Emission Level(dBuV/m) = Raw Value(dBuV) + Correction Factor(dB/m)
2. Correction Factor(dB/m) = Antenna Factor(dB/m) + Cable Factor(dB) – Pre-Amplifier Factor(dB)
3. The other emission levels were very low against the limit.
4. Margin value = Emission Level – Limit value
5. " * ": Fundamental frequency.
6. " # ": The radiated frequency is out of the restricted band.

| | | | |
|------------------------|----------------|------------------------------|--------------|
| CHANNEL | TX Channel 116 | DETECTOR FUNCTION | Peak (PK) |
| FREQUENCY RANGE | 1GHz ~ 40GHz | | Average (AV) |

ANTENNA POLARITY & TEST DISTANCE: HORIZONTAL AT 3 M

| NO. | FREQ. (MHz) | EMISSION LEVEL (dBuV/m) | LIMIT (dBuV/m) | MARGIN (dB) | ANTENNA HEIGHT (m) | TABLE ANGLE (Degree) | RAW VALUE (dBuV) | CORRECTION FACTOR (dB/m) |
|-----|----------------|-------------------------------|-------------------|----------------|--------------------------|----------------------------|------------------------|--------------------------------|
| 1 | 5460.00 | 51.0 PK | 74.0 | -23.0 | 1.65 H | 272 | 47.4 | 3.6 |
| 2 | 5460.00 | 39.6 AV | 54.0 | -14.4 | 1.65 H | 272 | 36.0 | 3.6 |
| 3 | #5470.00 | 51.3 PK | 68.2 | -16.9 | 1.65 H | 272 | 47.7 | 3.6 |
| 4 | *5580.00 | 114.2 PK | | | 1.65 H | 272 | 110.4 | 3.8 |
| 5 | *5580.00 | 102.8 AV | | | 1.65 H | 272 | 99.0 | 3.8 |
| 6 | 11160.00 | 53.6 PK | 74.0 | -20.4 | 3.75 H | 254 | 39.9 | 13.7 |
| 7 | 11160.00 | 40.2 AV | 54.0 | -13.8 | 3.75 H | 254 | 26.5 | 13.7 |
| 8 | #16740.00 | 51.2 PK | 68.2 | -17.0 | 3.67 H | 84 | 34.2 | 17.0 |

ANTENNA POLARITY & TEST DISTANCE: VERTICAL AT 3 M

| NO. | FREQ. (MHz) | EMISSION LEVEL (dBuV/m) | LIMIT (dBuV/m) | MARGIN (dB) | ANTENNA HEIGHT (m) | TABLE ANGLE (Degree) | RAW VALUE (dBuV) | CORRECTION FACTOR (dB/m) |
|-----|----------------|-------------------------------|-------------------|----------------|--------------------------|----------------------------|------------------------|--------------------------------|
| 1 | 5460.00 | 50.2 PK | 74.0 | -23.8 | 3.05 V | 186 | 46.6 | 3.6 |
| 2 | 5460.00 | 39.7 AV | 54.0 | -14.3 | 3.05 V | 186 | 36.1 | 3.6 |
| 3 | #5470.00 | 50.6 PK | 68.2 | -17.6 | 3.05 V | 186 | 47.0 | 3.6 |
| 4 | *5580.00 | 109.7 PK | | | 3.05 V | 186 | 105.9 | 3.8 |
| 5 | *5580.00 | 98.3 AV | | | 3.05 V | 186 | 94.5 | 3.8 |
| 6 | 11160.00 | 50.2 PK | 74.0 | -23.8 | 2.20 V | 298 | 36.5 | 13.7 |
| 7 | 11160.00 | 39.0 AV | 54.0 | -15.0 | 2.20 V | 298 | 25.3 | 13.7 |
| 8 | #16740.00 | 54.9 PK | 68.2 | -13.3 | 3.05 V | 360 | 37.9 | 17.0 |

REMARKS:

1. Emission Level(dBuV/m) = Raw Value(dBuV) + Correction Factor(dB/m)
2. Correction Factor(dB/m) = Antenna Factor(dB/m) + Cable Factor(dB) – Pre-Amplifier Factor(dB)
3. The other emission levels were very low against the limit.
4. Margin value = Emission Level – Limit value
5. " * ": Fundamental frequency.
6. " # ": The radiated frequency is out of the restricted band.

| | | | |
|------------------------|----------------|------------------------------|--------------|
| CHANNEL | TX Channel 140 | DETECTOR FUNCTION | Peak (PK) |
| FREQUENCY RANGE | 1GHz ~ 40GHz | | Average (AV) |

ANTENNA POLARITY & TEST DISTANCE: HORIZONTAL AT 3 M

| NO. | FREQ. (MHz) | EMISSION LEVEL (dBuV/m) | LIMIT (dBuV/m) | MARGIN (dB) | ANTENNA HEIGHT (m) | TABLE ANGLE (Degree) | RAW VALUE (dBuV) | CORRECTION FACTOR (dB/m) |
|-----|----------------|-------------------------------|-------------------|----------------|--------------------------|----------------------------|------------------------|--------------------------------|
| 1 | *5700.00 | 111.9 PK | | | 1.60 H | 269 | 107.7 | 4.2 |
| 2 | *5700.00 | 100.7 AV | | | 1.60 H | 269 | 96.5 | 4.2 |
| 3 | #5725.00 | 66.7 PK | 68.2 | -1.5 | 1.60 H | 269 | 62.5 | 4.2 |
| 4 | 11400.00 | 53.3 PK | 74.0 | -20.7 | 3.66 H | 250 | 39.0 | 14.3 |
| 5 | 11400.00 | 40.3 AV | 54.0 | -13.7 | 3.66 H | 250 | 26.0 | 14.3 |
| 6 | #17100.00 | 51.7 PK | 68.2 | -16.5 | 3.66 H | 67 | 34.0 | 17.7 |

ANTENNA POLARITY & TEST DISTANCE: VERTICAL AT 3 M

| NO. | FREQ. (MHz) | EMISSION LEVEL (dBuV/m) | LIMIT (dBuV/m) | MARGIN (dB) | ANTENNA HEIGHT (m) | TABLE ANGLE (Degree) | RAW VALUE (dBuV) | CORRECTION FACTOR (dB/m) |
|-----|----------------|-------------------------------|-------------------|----------------|--------------------------|----------------------------|------------------------|--------------------------------|
| 1 | *5700.00 | 108.5 PK | | | 3.00 V | 189 | 104.3 | 4.2 |
| 2 | *5700.00 | 96.5 AV | | | 3.00 V | 189 | 92.3 | 4.2 |
| 3 | #5725.00 | 57.2 PK | 68.2 | -11.0 | 3.00 V | 189 | 53.0 | 4.2 |
| 4 | 11400.00 | 50.7 PK | 74.0 | -23.3 | 2.19 V | 278 | 36.4 | 14.3 |
| 5 | 11400.00 | 39.3 AV | 54.0 | -14.7 | 2.19 V | 278 | 25.0 | 14.3 |
| 6 | #17100.00 | 55.2 PK | 68.2 | -13.0 | 3.03 V | 360 | 37.5 | 17.7 |

REMARKS:

1. Emission Level(dBuV/m) = Raw Value(dBuV) + Correction Factor(dB/m)
2. Correction Factor(dB/m) = Antenna Factor(dB/m) + Cable Factor(dB) – Pre-Amplifier Factor(dB)
3. The other emission levels were very low against the limit.
4. Margin value = Emission Level – Limit value
5. " * ": Fundamental frequency.
6. " # ": The radiated frequency is out of the restricted band.

| | | | |
|------------------------|----------------|------------------------------|--------------|
| CHANNEL | TX Channel 144 | DETECTOR FUNCTION | Peak (PK) |
| FREQUENCY RANGE | 1GHz ~ 40GHz | | Average (AV) |

ANTENNA POLARITY & TEST DISTANCE: HORIZONTAL AT 3 M

| NO. | FREQ. (MHz) | EMISSION LEVEL (dBuV/m) | LIMIT (dBuV/m) | MARGIN (dB) | ANTENNA HEIGHT (m) | TABLE ANGLE (Degree) | RAW VALUE (dBuV) | CORRECTION FACTOR (dB/m) |
|-----|----------------|-------------------------------|-------------------|----------------|--------------------------|----------------------------|------------------------|--------------------------------|
| 1 | 5460.00 | 51.4 PK | 74.0 | -22.6 | 1.76 H | 280 | 47.8 | 3.6 |
| 2 | 5460.00 | 40.6 AV | 54.0 | -13.4 | 1.76 H | 280 | 37.0 | 3.6 |
| 3 | #5470.00 | 50.9 PK | 68.2 | -17.3 | 1.76 H | 280 | 47.3 | 3.6 |
| 4 | *5720.00 | 112.9 PK | | | 1.76 H | 280 | 108.7 | 4.2 |
| 5 | *5720.00 | 101.7 AV | | | 1.76 H | 280 | 97.5 | 4.2 |
| 6 | #5850.00 | 50.9 PK | 68.2 | -17.3 | 1.76 H | 280 | 46.4 | 4.5 |
| 7 | 11440.00 | 53.6 PK | 74.0 | -20.4 | 3.69 H | 270 | 39.3 | 14.3 |
| 8 | 11440.00 | 40.4 AV | 54.0 | -13.6 | 3.69 H | 270 | 26.1 | 14.3 |
| 9 | #17160.00 | 51.8 PK | 68.2 | -16.4 | 3.67 H | 68 | 34.3 | 17.5 |

ANTENNA POLARITY & TEST DISTANCE: VERTICAL AT 3 M

| NO. | FREQ. (MHz) | EMISSION LEVEL (dBuV/m) | LIMIT (dBuV/m) | MARGIN (dB) | ANTENNA HEIGHT (m) | TABLE ANGLE (Degree) | RAW VALUE (dBuV) | CORRECTION FACTOR (dB/m) |
|-----|----------------|-------------------------------|-------------------|----------------|--------------------------|----------------------------|------------------------|--------------------------------|
| 1 | 5460.00 | 49.7 PK | 74.0 | -24.3 | 3.02 V | 199 | 46.1 | 3.6 |
| 2 | 5460.00 | 39.4 AV | 54.0 | -14.6 | 3.02 V | 199 | 35.8 | 3.6 |
| 3 | #5470.00 | 48.9 PK | 68.2 | -19.3 | 3.02 V | 199 | 45.3 | 3.6 |
| 4 | *5720.00 | 108.5 PK | | | 3.02 V | 199 | 104.3 | 4.2 |
| 5 | *5720.00 | 97.2 AV | | | 3.02 V | 199 | 93.0 | 4.2 |
| 6 | #5850.00 | 47.7 PK | 68.2 | -20.5 | 3.02 V | 199 | 43.2 | 4.5 |
| 7 | 11440.00 | 50.8 PK | 74.0 | -23.2 | 2.14 V | 273 | 36.5 | 14.3 |
| 8 | 11440.00 | 39.5 AV | 54.0 | -14.5 | 2.14 V | 273 | 25.2 | 14.3 |
| 9 | #17160.00 | 55.3 PK | 68.2 | -12.9 | 3.07 V | 360 | 37.8 | 17.5 |

REMARKS:

1. Emission Level(dBuV/m) = Raw Value(dBuV) + Correction Factor(dB/m)
2. Correction Factor(dB/m) = Antenna Factor(dB/m) + Cable Factor(dB) – Pre-Amplifier Factor(dB)
3. The other emission levels were very low against the limit.
4. Margin value = Emission Level – Limit value
5. " * ": Fundamental frequency.
6. " # ": The radiated frequency is out of the restricted band.

| | | | |
|------------------------|----------------|------------------------------|--------------|
| CHANNEL | TX Channel 149 | DETECTOR FUNCTION | Peak (PK) |
| FREQUENCY RANGE | 1GHz ~ 40GHz | | Average (AV) |

ANTENNA POLARITY & TEST DISTANCE: HORIZONTAL AT 3 M

| NO. | FREQ. (MHz) | EMISSION LEVEL (dBuV/m) | LIMIT (dBuV/m) | MARGIN (dB) | ANTENNA HEIGHT (m) | TABLE ANGLE (Degree) | RAW VALUE (dBuV) | CORRECTION FACTOR (dB/m) |
|-----|----------------|-------------------------------|-------------------|----------------|--------------------------|----------------------------|------------------------|--------------------------------|
| 1 | #5585.35 | 53.6 PK | 68.2 | -14.6 | 2.52 H | 284 | 49.8 | 3.8 |
| 2 | *5745.00 | 118.1 PK | | | 2.52 H | 284 | 113.9 | 4.2 |
| 3 | *5745.00 | 105.8 AV | | | 2.52 H | 284 | 101.6 | 4.2 |
| 4 | #5959.41 | 50.4 PK | 68.2 | -17.8 | 2.52 H | 284 | 45.9 | 4.5 |
| 5 | 11490.00 | 46.2 PK | 74.0 | -27.8 | 2.67 H | 290 | 31.9 | 14.3 |
| 6 | 11490.00 | 33.1 AV | 54.0 | -20.9 | 2.67 H | 290 | 18.8 | 14.3 |
| 7 | #17235.00 | 46.5 PK | 68.2 | -21.7 | 2.71 H | 266 | 29.2 | 17.3 |

ANTENNA POLARITY & TEST DISTANCE: VERTICAL AT 3 M

| NO. | FREQ. (MHz) | EMISSION LEVEL (dBuV/m) | LIMIT (dBuV/m) | MARGIN (dB) | ANTENNA HEIGHT (m) | TABLE ANGLE (Degree) | RAW VALUE (dBuV) | CORRECTION FACTOR (dB/m) |
|-----|----------------|-------------------------------|-------------------|----------------|--------------------------|----------------------------|------------------------|--------------------------------|
| 1 | #5583.31 | 51.4 PK | 68.2 | -16.8 | 1.50 V | 190 | 47.6 | 3.8 |
| 2 | *5745.00 | 112.5 PK | | | 1.50 V | 190 | 108.3 | 4.2 |
| 3 | *5745.00 | 102.3 AV | | | 1.50 V | 190 | 98.1 | 4.2 |
| 4 | #5977.14 | 49.5 PK | 68.2 | -18.7 | 1.50 V | 190 | 45.0 | 4.5 |
| 5 | 11490.00 | 46.4 PK | 74.0 | -27.6 | 2.46 V | 91 | 32.1 | 14.3 |
| 6 | 11490.00 | 32.4 AV | 54.0 | -21.6 | 2.46 V | 91 | 18.1 | 14.3 |
| 7 | #17235.00 | 45.1 PK | 68.2 | -23.1 | 1.87 V | 360 | 27.8 | 17.3 |

REMARKS:

1. Emission Level(dBuV/m) = Raw Value(dBuV) + Correction Factor(dB/m)
2. Correction Factor(dB/m) = Antenna Factor(dB/m) + Cable Factor(dB) – Pre-Amplifier Factor(dB)
3. The other emission levels were very low against the limit.
4. Margin value = Emission Level – Limit value
5. " * ": Fundamental frequency.
6. " # ": The radiated frequency is out of the restricted band.

| | | | |
|------------------------|----------------|------------------------------|--------------|
| CHANNEL | TX Channel 157 | DETECTOR FUNCTION | Peak (PK) |
| FREQUENCY RANGE | 1GHz ~ 40GHz | | Average (AV) |

ANTENNA POLARITY & TEST DISTANCE: HORIZONTAL AT 3 M

| NO. | FREQ. (MHz) | EMISSION LEVEL (dBuV/m) | LIMIT (dBuV/m) | MARGIN (dB) | ANTENNA HEIGHT (m) | TABLE ANGLE (Degree) | RAW VALUE (dBuV) | CORRECTION FACTOR (dB/m) |
|-----|----------------|-------------------------------|-------------------|----------------|--------------------------|----------------------------|------------------------|--------------------------------|
| 1 | #5629.12 | 53.0 PK | 68.2 | -15.2 | 2.56 H | 279 | 49.2 | 3.8 |
| 2 | *5785.00 | 118.9 PK | | | 2.56 H | 279 | 114.6 | 4.3 |
| 3 | *5785.00 | 106.5 AV | | | 2.56 H | 279 | 102.2 | 4.3 |
| 4 | #5949.18 | 52.6 PK | 68.2 | -15.6 | 2.56 H | 279 | 48.2 | 4.4 |
| 5 | 11570.00 | 46.4 PK | 74.0 | -27.6 | 2.66 H | 285 | 32.3 | 14.1 |
| 6 | 11570.00 | 33.2 AV | 54.0 | -20.8 | 2.66 H | 285 | 19.1 | 14.1 |
| 7 | #17355.00 | 46.8 PK | 68.2 | -21.4 | 2.73 H | 271 | 29.2 | 17.6 |

ANTENNA POLARITY & TEST DISTANCE: VERTICAL AT 3 M

| NO. | FREQ. (MHz) | EMISSION LEVEL (dBuV/m) | LIMIT (dBuV/m) | MARGIN (dB) | ANTENNA HEIGHT (m) | TABLE ANGLE (Degree) | RAW VALUE (dBuV) | CORRECTION FACTOR (dB/m) |
|-----|----------------|-------------------------------|-------------------|----------------|--------------------------|----------------------------|------------------------|--------------------------------|
| 1 | #5628.65 | 51.7 PK | 68.2 | -16.5 | 1.50 V | 201 | 47.9 | 3.8 |
| 2 | *5785.00 | 112.4 PK | | | 1.50 V | 201 | 108.1 | 4.3 |
| 3 | *5785.00 | 102.4 AV | | | 1.50 V | 201 | 98.1 | 4.3 |
| 4 | #5940.89 | 50.4 PK | 68.2 | -17.8 | 1.50 V | 201 | 46.0 | 4.4 |
| 5 | 11570.00 | 46.1 PK | 74.0 | -27.9 | 2.45 V | 104 | 32.0 | 14.1 |
| 6 | 11570.00 | 32.2 AV | 54.0 | -21.8 | 2.45 V | 104 | 18.1 | 14.1 |
| 7 | #17355.00 | 45.1 PK | 68.2 | -23.1 | 1.88 V | 360 | 27.5 | 17.6 |

REMARKS:

1. Emission Level(dBuV/m) = Raw Value(dBuV) + Correction Factor(dB/m)
2. Correction Factor(dB/m) = Antenna Factor(dB/m) + Cable Factor(dB) – Pre-Amplifier Factor(dB)
3. The other emission levels were very low against the limit.
4. Margin value = Emission Level – Limit value
5. " * ": Fundamental frequency.
6. " # ": The radiated frequency is out of the restricted band.

| | | | |
|------------------------|----------------|------------------------------|--------------|
| CHANNEL | TX Channel 165 | DETECTOR FUNCTION | Peak (PK) |
| FREQUENCY RANGE | 1GHz ~ 40GHz | | Average (AV) |

ANTENNA POLARITY & TEST DISTANCE: HORIZONTAL AT 3 M

| NO. | FREQ. (MHz) | EMISSION LEVEL (dBuV/m) | LIMIT (dBuV/m) | MARGIN (dB) | ANTENNA HEIGHT (m) | TABLE ANGLE (Degree) | RAW VALUE (dBuV) | CORRECTION FACTOR (dB/m) |
|-----|----------------|-------------------------------|-------------------|----------------|--------------------------|----------------------------|------------------------|--------------------------------|
| 1 | #5591.92 | 51.3 PK | 68.2 | -16.9 | 2.57 H | 269 | 47.5 | 3.8 |
| 2 | *5825.00 | 118.4 PK | | | 2.57 H | 269 | 113.9 | 4.5 |
| 3 | *5825.00 | 106.1 AV | | | 2.57 H | 269 | 101.6 | 4.5 |
| 4 | #5978.40 | 52.5 PK | 68.2 | -15.7 | 2.57 H | 269 | 48.0 | 4.5 |
| 5 | 11650.00 | 46.4 PK | 74.0 | -27.6 | 2.63 H | 305 | 32.5 | 13.9 |
| 6 | 11650.00 | 33.5 AV | 54.0 | -20.5 | 2.63 H | 305 | 19.6 | 13.9 |
| 7 | #17475.00 | 45.7 PK | 68.2 | -22.5 | 2.74 H | 261 | 26.9 | 18.8 |

ANTENNA POLARITY & TEST DISTANCE: VERTICAL AT 3 M

| NO. | FREQ. (MHz) | EMISSION LEVEL (dBuV/m) | LIMIT (dBuV/m) | MARGIN (dB) | ANTENNA HEIGHT (m) | TABLE ANGLE (Degree) | RAW VALUE (dBuV) | CORRECTION FACTOR (dB/m) |
|-----|----------------|-------------------------------|-------------------|----------------|--------------------------|----------------------------|------------------------|--------------------------------|
| 1 | #5585.99 | 49.6 PK | 68.2 | -18.6 | 1.48 V | 199 | 45.8 | 3.8 |
| 2 | *5825.00 | 112.2 PK | | | 1.48 V | 199 | 107.7 | 4.5 |
| 3 | *5825.00 | 102.1 AV | | | 1.48 V | 199 | 97.6 | 4.5 |
| 4 | #5928.63 | 49.2 PK | 68.2 | -19.0 | 1.48 V | 199 | 44.8 | 4.4 |
| 5 | 11650.00 | 46.7 PK | 74.0 | -27.3 | 2.51 V | 86 | 32.8 | 13.9 |
| 6 | 11650.00 | 32.8 AV | 54.0 | -21.2 | 2.51 V | 86 | 18.9 | 13.9 |
| 7 | #17475.00 | 44.8 PK | 68.2 | -23.4 | 1.92 V | 360 | 26.0 | 18.8 |

REMARKS:

1. Emission Level(dBuV/m) = Raw Value(dBuV) + Correction Factor(dB/m)
2. Correction Factor(dB/m) = Antenna Factor(dB/m) + Cable Factor(dB) – Pre-Amplifier Factor(dB)
3. The other emission levels were very low against the limit.
4. Margin value = Emission Level – Limit value
5. " * ": Fundamental frequency.
6. " # ": The radiated frequency is out of the restricted band.

802.11ac (VHT20)

| | | | |
|------------------------|---------------|------------------------------|--------------|
| CHANNEL | TX Channel 36 | DETECTOR FUNCTION | Peak (PK) |
| FREQUENCY RANGE | 1GHz ~ 40GHz | | Average (AV) |

| ANTENNA POLARITY & TEST DISTANCE: HORIZONTAL AT 3 M | | | | | | | | |
|---|----------------|-------------------------------|-------------------|----------------|--------------------------|----------------------------|------------------------|--------------------------------|
| NO. | FREQ. (MHz) | EMISSION LEVEL (dBuV/m) | LIMIT (dBuV/m) | MARGIN (dB) | ANTENNA HEIGHT (m) | TABLE ANGLE (Degree) | RAW VALUE (dBuV) | CORRECTION FACTOR (dB/m) |
| 1 | 5150.00 | 68.0 PK | 74.0 | -6.0 | 1.69 H | 271 | 64.6 | 3.4 |
| 2 | 5150.00 | 52.5 AV | 54.0 | -1.5 | 1.69 H | 271 | 49.1 | 3.4 |
| 3 | *5180.00 | 114.6 PK | | | 1.69 H | 271 | 111.2 | 3.4 |
| 4 | *5180.00 | 103.4 AV | | | 1.69 H | 271 | 100.0 | 3.4 |
| 5 | #10360.00 | 53.3 PK | 68.2 | -14.9 | 3.75 H | 270 | 39.8 | 13.5 |
| 6 | 15540.00 | 51.3 PK | 74.0 | -22.7 | 3.72 H | 63 | 37.5 | 13.8 |
| 7 | 15540.00 | 38.5 AV | 54.0 | -15.5 | 3.72 H | 63 | 24.7 | 13.8 |

| ANTENNA POLARITY & TEST DISTANCE: VERTICAL AT 3 M | | | | | | | | |
|---|----------------|-------------------------------|-------------------|----------------|--------------------------|----------------------------|------------------------|--------------------------------|
| NO. | FREQ. (MHz) | EMISSION LEVEL (dBuV/m) | LIMIT (dBuV/m) | MARGIN (dB) | ANTENNA HEIGHT (m) | TABLE ANGLE (Degree) | RAW VALUE (dBuV) | CORRECTION FACTOR (dB/m) |
| 1 | 5150.00 | 64.1 PK | 74.0 | -9.9 | 4.00 V | 239 | 60.7 | 3.4 |
| 2 | 5150.00 | 46.9 AV | 54.0 | -7.1 | 4.00 V | 239 | 43.5 | 3.4 |
| 3 | *5180.00 | 111.6 PK | | | 4.00 V | 239 | 108.2 | 3.4 |
| 4 | *5180.00 | 100.2 AV | | | 4.00 V | 239 | 96.8 | 3.4 |
| 5 | #10360.00 | 50.6 PK | 68.2 | -17.6 | 2.32 V | 276 | 37.1 | 13.5 |
| 6 | 15540.00 | 55.9 PK | 74.0 | -18.1 | 3.02 V | 360 | 42.1 | 13.8 |
| 7 | 15540.00 | 42.5 AV | 54.0 | -11.5 | 3.02 V | 360 | 28.7 | 13.8 |

REMARKS:

- Emission Level(dBuV/m) = Raw Value(dBuV) + Correction Factor(dB/m)
- Correction Factor(dB/m) = Antenna Factor(dB/m) + Cable Factor(dB) – Pre-Amplifier Factor(dB)
- The other emission levels were very low against the limit.
- Margin value = Emission Level – Limit value
- " * ": Fundamental frequency.
- " # ": The radiated frequency is out of the restricted band.

| | | | |
|------------------------|---------------|------------------------------|--------------|
| CHANNEL | TX Channel 40 | DETECTOR FUNCTION | Peak (PK) |
| FREQUENCY RANGE | 1GHz ~ 40GHz | | Average (AV) |

ANTENNA POLARITY & TEST DISTANCE: HORIZONTAL AT 3 M

| NO. | FREQ. (MHz) | EMISSION LEVEL (dBuV/m) | LIMIT (dBuV/m) | MARGIN (dB) | ANTENNA HEIGHT (m) | TABLE ANGLE (Degree) | RAW VALUE (dBuV) | CORRECTION FACTOR (dB/m) |
|-----|----------------|-------------------------------|-------------------|----------------|--------------------------|----------------------------|------------------------|--------------------------------|
| 1 | 5150.00 | 59.2 PK | 74.0 | -14.8 | 1.80 H | 271 | 55.8 | 3.4 |
| 2 | 5150.00 | 44.3 AV | 54.0 | -9.7 | 1.80 H | 271 | 40.9 | 3.4 |
| 3 | *5200.00 | 116.2 PK | | | 1.80 H | 271 | 112.8 | 3.4 |
| 4 | *5200.00 | 104.2 AV | | | 1.80 H | 271 | 100.8 | 3.4 |
| 5 | #10400.00 | 53.3 PK | 68.2 | -14.9 | 3.73 H | 246 | 39.7 | 13.6 |
| 6 | 15600.00 | 50.8 PK | 74.0 | -23.2 | 3.70 H | 62 | 37.0 | 13.8 |
| 7 | 15600.00 | 38.0 AV | 54.0 | -16.0 | 3.70 H | 62 | 24.2 | 13.8 |

ANTENNA POLARITY & TEST DISTANCE: VERTICAL AT 3 M

| NO. | FREQ. (MHz) | EMISSION LEVEL (dBuV/m) | LIMIT (dBuV/m) | MARGIN (dB) | ANTENNA HEIGHT (m) | TABLE ANGLE (Degree) | RAW VALUE (dBuV) | CORRECTION FACTOR (dB/m) |
|-----|----------------|-------------------------------|-------------------|----------------|--------------------------|----------------------------|------------------------|--------------------------------|
| 1 | 5150.00 | 53.3 PK | 74.0 | -20.7 | 4.00 V | 247 | 49.9 | 3.4 |
| 2 | 5150.00 | 39.5 AV | 54.0 | -14.5 | 4.00 V | 247 | 36.1 | 3.4 |
| 3 | *5200.00 | 113.1 PK | | | 4.00 V | 247 | 109.7 | 3.4 |
| 4 | *5200.00 | 101.4 AV | | | 4.00 V | 247 | 98.0 | 3.4 |
| 5 | #10400.00 | 50.1 PK | 68.2 | -18.1 | 2.32 V | 281 | 36.5 | 13.6 |
| 6 | 15600.00 | 56.0 PK | 74.0 | -18.0 | 3.09 V | 360 | 42.2 | 13.8 |
| 7 | 15600.00 | 42.5 AV | 54.0 | -11.5 | 3.09 V | 360 | 28.7 | 13.8 |

REMARKS:

1. Emission Level(dBuV/m) = Raw Value(dBuV) + Correction Factor(dB/m)
2. Correction Factor(dB/m) = Antenna Factor(dB/m) + Cable Factor(dB) – Pre-Amplifier Factor(dB)
3. The other emission levels were very low against the limit.
4. Margin value = Emission Level – Limit value
5. " * ": Fundamental frequency.
6. " # ": The radiated frequency is out of the restricted band.

| | | | |
|------------------------|---------------|--------------------------|--------------|
| CHANNEL | TX Channel 48 | DETECTOR FUNCTION | Peak (PK) |
| FREQUENCY RANGE | 1GHz ~ 40GHz | | Average (AV) |

ANTENNA POLARITY & TEST DISTANCE: HORIZONTAL AT 3 M

| NO. | FREQ. (MHz) | EMISSION LEVEL (dBuV/m) | LIMIT (dBuV/m) | MARGIN (dB) | ANTENNA HEIGHT (m) | TABLE ANGLE (Degree) | RAW VALUE (dBuV) | CORRECTION FACTOR (dB/m) |
|-----|-------------|-------------------------|----------------|-------------|--------------------|----------------------|------------------|--------------------------|
| 1 | 5150.00 | 51.7 PK | 74.0 | -22.3 | 1.70 H | 273 | 48.3 | 3.4 |
| 2 | 5150.00 | 41.8 AV | 54.0 | -12.2 | 1.70 H | 273 | 38.4 | 3.4 |
| 3 | *5240.00 | 115.5 PK | | | 1.70 H | 273 | 112.2 | 3.3 |
| 4 | *5240.00 | 104.4 AV | | | 1.70 H | 273 | 101.1 | 3.3 |
| 5 | 5350.00 | 51.7 PK | 74.0 | -22.3 | 1.70 H | 273 | 48.3 | 3.4 |
| 6 | 5350.00 | 40.6 AV | 54.0 | -13.4 | 1.70 H | 273 | 37.2 | 3.4 |
| 7 | #10480.00 | 53.9 PK | 68.2 | -14.3 | 3.73 H | 244 | 40.1 | 13.8 |
| 8 | 15720.00 | 51.2 PK | 74.0 | -22.8 | 3.65 H | 53 | 37.4 | 13.8 |
| 9 | 15720.00 | 38.5 AV | 54.0 | -15.5 | 3.65 H | 53 | 24.7 | 13.8 |

ANTENNA POLARITY & TEST DISTANCE: VERTICAL AT 3 M

| NO. | FREQ. (MHz) | EMISSION LEVEL (dBuV/m) | LIMIT (dBuV/m) | MARGIN (dB) | ANTENNA HEIGHT (m) | TABLE ANGLE (Degree) | RAW VALUE (dBuV) | CORRECTION FACTOR (dB/m) |
|-----|-------------|-------------------------|----------------|-------------|--------------------|----------------------|------------------|--------------------------|
| 1 | 5150.00 | 51.4 PK | 74.0 | -22.6 | 4.00 V | 237 | 48.0 | 3.4 |
| 2 | 5150.00 | 38.8 AV | 54.0 | -15.2 | 4.00 V | 237 | 35.4 | 3.4 |
| 3 | *5240.00 | 113.4 PK | | | 4.00 V | 237 | 110.1 | 3.3 |
| 4 | *5240.00 | 101.6 AV | | | 4.00 V | 237 | 98.3 | 3.3 |
| 5 | 5350.00 | 49.8 PK | 74.0 | -24.2 | 4.00 V | 237 | 46.4 | 3.4 |
| 6 | 5350.00 | 39.3 AV | 54.0 | -14.7 | 4.00 V | 237 | 35.9 | 3.4 |
| 7 | #10480.00 | 50.3 PK | 68.2 | -17.9 | 2.22 V | 288 | 36.5 | 13.8 |
| 8 | 15720.00 | 55.9 PK | 74.0 | -18.1 | 3.12 V | 360 | 42.1 | 13.8 |
| 9 | 15720.00 | 42.6 AV | 54.0 | -11.4 | 3.12 V | 360 | 28.8 | 13.8 |

REMARKS:

1. Emission Level(dBuV/m) = Raw Value(dBuV) + Correction Factor(dB/m)
2. Correction Factor(dB/m) = Antenna Factor(dB/m) + Cable Factor(dB) – Pre-Amplifier Factor(dB)
3. The other emission levels were very low against the limit.
4. Margin value = Emission Level – Limit value
5. " * ": Fundamental frequency.
6. " # ": The radiated frequency is out of the restricted band.

| | | | |
|------------------------|---------------|------------------------------|--------------|
| CHANNEL | TX Channel 52 | DETECTOR FUNCTION | Peak (PK) |
| FREQUENCY RANGE | 1GHz ~ 40GHz | | Average (AV) |

ANTENNA POLARITY & TEST DISTANCE: HORIZONTAL AT 3 M

| NO. | FREQ. (MHz) | EMISSION LEVEL (dBuV/m) | LIMIT (dBuV/m) | MARGIN (dB) | ANTENNA HEIGHT (m) | TABLE ANGLE (Degree) | RAW VALUE (dBuV) | CORRECTION FACTOR (dB/m) |
|-----|----------------|-------------------------------|-------------------|----------------|--------------------------|----------------------------|------------------------|--------------------------------|
| 1 | 5150.00 | 51.8 PK | 74.0 | -22.2 | 1.70 H | 271 | 48.4 | 3.4 |
| 2 | 5150.00 | 40.8 AV | 54.0 | -13.2 | 1.70 H | 271 | 37.4 | 3.4 |
| 3 | *5260.00 | 116.3 PK | | | 1.70 H | 271 | 113.1 | 3.2 |
| 4 | *5260.00 | 104.8 AV | | | 1.70 H | 271 | 101.6 | 3.2 |
| 5 | 5350.00 | 52.7 PK | 74.0 | -21.3 | 1.70 H | 271 | 49.3 | 3.4 |
| 6 | 5350.00 | 41.6 AV | 54.0 | -12.4 | 1.70 H | 271 | 38.2 | 3.4 |
| 7 | #10520.00 | 54.4 PK | 68.2 | -13.8 | 3.75 H | 253 | 40.5 | 13.9 |
| 8 | 15780.00 | 50.9 PK | 74.0 | -23.1 | 3.69 H | 68 | 37.2 | 13.7 |
| 9 | 15780.00 | 38.0 AV | 54.0 | -16.0 | 3.69 H | 68 | 24.3 | 13.7 |

ANTENNA POLARITY & TEST DISTANCE: VERTICAL AT 3 M

| NO. | FREQ. (MHz) | EMISSION LEVEL (dBuV/m) | LIMIT (dBuV/m) | MARGIN (dB) | ANTENNA HEIGHT (m) | TABLE ANGLE (Degree) | RAW VALUE (dBuV) | CORRECTION FACTOR (dB/m) |
|-----|----------------|-------------------------------|-------------------|----------------|--------------------------|----------------------------|------------------------|--------------------------------|
| 1 | 5150.00 | 50.5 PK | 74.0 | -23.5 | 4.00 V | 229 | 47.1 | 3.4 |
| 2 | 5150.00 | 38.4 AV | 54.0 | -15.6 | 4.00 V | 229 | 35.0 | 3.4 |
| 3 | *5260.00 | 112.9 PK | | | 4.00 V | 229 | 109.7 | 3.2 |
| 4 | *5260.00 | 101.2 AV | | | 4.00 V | 229 | 98.0 | 3.2 |
| 5 | 5350.00 | 51.2 PK | 74.0 | -22.8 | 4.00 V | 229 | 47.8 | 3.4 |
| 6 | 5350.00 | 39.3 AV | 54.0 | -14.7 | 4.00 V | 229 | 35.9 | 3.4 |
| 7 | #10520.00 | 49.7 PK | 68.2 | -18.5 | 2.24 V | 296 | 35.8 | 13.9 |
| 8 | 15780.00 | 55.6 PK | 74.0 | -18.4 | 3.08 V | 360 | 41.9 | 13.7 |
| 9 | 15780.00 | 42.1 AV | 54.0 | -11.9 | 3.08 V | 360 | 28.4 | 13.7 |

REMARKS:

1. Emission Level(dBuV/m) = Raw Value(dBuV) + Correction Factor(dB/m)
2. Correction Factor(dB/m) = Antenna Factor(dB/m) + Cable Factor(dB) – Pre-Amplifier Factor(dB)
3. The other emission levels were very low against the limit.
4. Margin value = Emission Level – Limit value
5. " * ": Fundamental frequency.
6. " # ": The radiated frequency is out of the restricted band.

| | | | |
|------------------------|---------------|------------------------------|--------------|
| CHANNEL | TX Channel 60 | DETECTOR FUNCTION | Peak (PK) |
| FREQUENCY RANGE | 1GHz ~ 40GHz | | Average (AV) |

ANTENNA POLARITY & TEST DISTANCE: HORIZONTAL AT 3 M

| NO. | FREQ. (MHz) | EMISSION LEVEL (dBuV/m) | LIMIT (dBuV/m) | MARGIN (dB) | ANTENNA HEIGHT (m) | TABLE ANGLE (Degree) | RAW VALUE (dBuV) | CORRECTION FACTOR (dB/m) |
|-----|----------------|-------------------------------|-------------------|----------------|--------------------------|----------------------------|------------------------|--------------------------------|
| 1 | *5300.00 | 116.5 PK | | | 1.66 H | 270 | 113.2 | 3.3 |
| 2 | *5300.00 | 107.3 AV | | | 1.66 H | 270 | 104.0 | 3.3 |
| 3 | 5350.00 | 59.6 PK | 74.0 | -14.4 | 1.66 H | 270 | 56.2 | 3.4 |
| 4 | 5350.00 | 44.6 AV | 54.0 | -9.4 | 1.66 H | 270 | 41.2 | 3.4 |
| 5 | 10600.00 | 53.3 PK | 74.0 | -20.7 | 3.73 H | 264 | 39.8 | 13.5 |
| 6 | 10600.00 | 40.2 AV | 54.0 | -13.8 | 3.73 H | 264 | 26.7 | 13.5 |
| 7 | 15900.00 | 50.9 PK | 74.0 | -23.1 | 3.66 H | 65 | 37.6 | 13.3 |
| 8 | 15900.00 | 38.4 AV | 54.0 | -15.6 | 3.66 H | 65 | 25.1 | 13.3 |

ANTENNA POLARITY & TEST DISTANCE: VERTICAL AT 3 M

| NO. | FREQ. (MHz) | EMISSION LEVEL (dBuV/m) | LIMIT (dBuV/m) | MARGIN (dB) | ANTENNA HEIGHT (m) | TABLE ANGLE (Degree) | RAW VALUE (dBuV) | CORRECTION FACTOR (dB/m) |
|-----|----------------|-------------------------------|-------------------|----------------|--------------------------|----------------------------|------------------------|--------------------------------|
| 1 | *5300.00 | 113.2 PK | | | 3.96 V | 218 | 109.9 | 3.3 |
| 2 | *5300.00 | 104.2 AV | | | 3.96 V | 218 | 100.9 | 3.3 |
| 3 | 5350.00 | 51.5 PK | 74.0 | -22.5 | 3.96 V | 218 | 48.1 | 3.4 |
| 4 | 5350.00 | 39.6 AV | 54.0 | -14.4 | 3.96 V | 218 | 36.2 | 3.4 |
| 5 | 10600.00 | 50.6 PK | 74.0 | -23.4 | 2.24 V | 297 | 37.1 | 13.5 |
| 6 | 10600.00 | 39.2 AV | 54.0 | -14.8 | 2.24 V | 297 | 25.7 | 13.5 |
| 7 | 15900.00 | 55.5 PK | 74.0 | -18.5 | 3.10 V | 360 | 42.2 | 13.3 |
| 8 | 15900.00 | 41.9 AV | 54.0 | -12.1 | 3.10 V | 360 | 28.6 | 13.3 |

REMARKS:

1. Emission Level(dBuV/m) = Raw Value(dBuV) + Correction Factor(dB/m)
2. Correction Factor(dB/m) = Antenna Factor(dB/m) + Cable Factor(dB) – Pre-Amplifier Factor(dB)
3. The other emission levels were very low against the limit.
4. Margin value = Emission Level – Limit value
5. " * ": Fundamental frequency.

| | | | |
|------------------------|---------------|------------------------------|--------------|
| CHANNEL | TX Channel 64 | DETECTOR FUNCTION | Peak (PK) |
| FREQUENCY RANGE | 1GHz ~ 40GHz | | Average (AV) |

ANTENNA POLARITY & TEST DISTANCE: HORIZONTAL AT 3 M

| NO. | FREQ. (MHz) | EMISSION LEVEL (dBuV/m) | LIMIT (dBuV/m) | MARGIN (dB) | ANTENNA HEIGHT (m) | TABLE ANGLE (Degree) | RAW VALUE (dBuV) | CORRECTION FACTOR (dB/m) |
|----------|----------------|-------------------------------|-------------------|----------------|--------------------------|----------------------------|------------------------|--------------------------------|
| 1 | *5320.00 | 115.0 PK | | | 1.70 H | 271 | 111.7 | 3.3 |
| 2 | *5320.00 | 103.1 AV | | | 1.70 H | 271 | 99.8 | 3.3 |
| 3 | 5350.00 | 70.3 PK | 74.0 | -3.7 | 1.70 H | 271 | 66.9 | 3.4 |
| 4 | 5350.00 | 52.5 AV | 54.0 | -1.5 | 1.70 H | 271 | 49.1 | 3.4 |
| 5 | 10640.00 | 53.6 PK | 74.0 | -20.4 | 3.80 H | 258 | 39.9 | 13.7 |
| 6 | 10640.00 | 40.3 AV | 54.0 | -13.7 | 3.80 H | 258 | 26.6 | 13.7 |
| 7 | 15960.00 | 51.1 PK | 74.0 | -22.9 | 3.69 H | 57 | 37.5 | 13.6 |
| 8 | 15960.00 | 38.5 AV | 54.0 | -15.5 | 3.69 H | 57 | 24.9 | 13.6 |

ANTENNA POLARITY & TEST DISTANCE: VERTICAL AT 3 M

| NO. | FREQ. (MHz) | EMISSION LEVEL (dBuV/m) | LIMIT (dBuV/m) | MARGIN (dB) | ANTENNA HEIGHT (m) | TABLE ANGLE (Degree) | RAW VALUE (dBuV) | CORRECTION FACTOR (dB/m) |
|-----|----------------|-------------------------------|-------------------|----------------|--------------------------|----------------------------|------------------------|--------------------------------|
| 1 | *5320.00 | 112.1 PK | | | 3.98 V | 227 | 108.8 | 3.3 |
| 2 | *5320.00 | 100.3 AV | | | 3.98 V | 227 | 97.0 | 3.3 |
| 3 | 5350.00 | 64.8 PK | 74.0 | -9.2 | 3.98 V | 227 | 61.4 | 3.4 |
| 4 | 5350.00 | 46.9 AV | 54.0 | -7.1 | 3.98 V | 227 | 43.5 | 3.4 |
| 5 | 10640.00 | 50.8 PK | 74.0 | -23.2 | 2.33 V | 296 | 37.1 | 13.7 |
| 6 | 10640.00 | 39.2 AV | 54.0 | -14.8 | 2.33 V | 296 | 25.5 | 13.7 |
| 7 | 15960.00 | 54.9 PK | 74.0 | -19.1 | 3.05 V | 354 | 41.3 | 13.6 |
| 8 | 15960.00 | 41.9 AV | 54.0 | -12.1 | 3.05 V | 354 | 28.3 | 13.6 |

REMARKS:

1. Emission Level(dBuV/m) = Raw Value(dBuV) + Correction Factor(dB/m)
2. Correction Factor(dB/m) = Antenna Factor(dB/m) + Cable Factor(dB) – Pre-Amplifier Factor(dB)
3. The other emission levels were very low against the limit.
4. Margin value = Emission Level – Limit value
5. " * ": Fundamental frequency.

| | | | |
|------------------------|----------------|------------------------------|--------------|
| CHANNEL | TX Channel 100 | DETECTOR FUNCTION | Peak (PK) |
| FREQUENCY RANGE | 1GHz ~ 40GHz | | Average (AV) |

ANTENNA POLARITY & TEST DISTANCE: HORIZONTAL AT 3 M

| NO. | FREQ. (MHz) | EMISSION LEVEL (dBuV/m) | LIMIT (dBuV/m) | MARGIN (dB) | ANTENNA HEIGHT (m) | TABLE ANGLE (Degree) | RAW VALUE (dBuV) | CORRECTION FACTOR (dB/m) |
|-----|----------------|-------------------------------|-------------------|----------------|--------------------------|----------------------------|------------------------|--------------------------------|
| 1 | 5460.00 | 56.8 PK | 74.0 | -17.2 | 2.48 H | 251 | 53.2 | 3.6 |
| 2 | 5460.00 | 41.9 AV | 54.0 | -12.1 | 2.48 H | 251 | 38.3 | 3.6 |
| 3 | #5470.00 | 66.5 PK | 68.2 | -1.7 | 2.48 H | 251 | 62.9 | 3.6 |
| 4 | *5500.00 | 113.3 PK | | | 2.48 H | 251 | 109.6 | 3.7 |
| 5 | *5500.00 | 99.5 AV | | | 2.48 H | 251 | 95.8 | 3.7 |
| 6 | 11000.00 | 53.9 PK | 74.0 | -20.1 | 3.79 H | 273 | 39.9 | 14.0 |
| 7 | 11000.00 | 40.4 AV | 54.0 | -13.6 | 3.79 H | 273 | 26.4 | 14.0 |
| 8 | #16500.00 | 50.1 PK | 68.2 | -18.1 | 3.65 H | 78 | 34.3 | 15.8 |

ANTENNA POLARITY & TEST DISTANCE: VERTICAL AT 3 M

| NO. | FREQ. (MHz) | EMISSION LEVEL (dBuV/m) | LIMIT (dBuV/m) | MARGIN (dB) | ANTENNA HEIGHT (m) | TABLE ANGLE (Degree) | RAW VALUE (dBuV) | CORRECTION FACTOR (dB/m) |
|-----|----------------|-------------------------------|-------------------|----------------|--------------------------|----------------------------|------------------------|--------------------------------|
| 1 | 5460.00 | 52.2 PK | 74.0 | -21.8 | 4.00 V | 229 | 48.6 | 3.6 |
| 2 | 5460.00 | 40.0 AV | 54.0 | -14.0 | 4.00 V | 229 | 36.4 | 3.6 |
| 3 | #5470.00 | 60.2 PK | 68.2 | -8.0 | 4.00 V | 229 | 56.6 | 3.6 |
| 4 | *5500.00 | 110.6 PK | | | 4.00 V | 229 | 106.9 | 3.7 |
| 5 | *5500.00 | 96.4 AV | | | 4.00 V | 229 | 92.7 | 3.7 |
| 6 | 11000.00 | 50.6 PK | 74.0 | -23.4 | 2.24 V | 290 | 36.6 | 14.0 |
| 7 | 11000.00 | 39.0 AV | 54.0 | -15.0 | 2.24 V | 290 | 25.0 | 14.0 |
| 8 | #16500.00 | 55.6 PK | 68.2 | -12.6 | 3.08 V | 360 | 39.8 | 15.8 |

REMARKS:

1. Emission Level(dBuV/m) = Raw Value(dBuV) + Correction Factor(dB/m)
2. Correction Factor(dB/m) = Antenna Factor(dB/m) + Cable Factor(dB) – Pre-Amplifier Factor(dB)
3. The other emission levels were very low against the limit.
4. Margin value = Emission Level – Limit value
5. " * ": Fundamental frequency.
6. " # ": The radiated frequency is out of the restricted band.

| | | | |
|------------------------|----------------|------------------------------|--------------|
| CHANNEL | TX Channel 116 | DETECTOR FUNCTION | Peak (PK) |
| FREQUENCY RANGE | 1GHz ~ 40GHz | | Average (AV) |

ANTENNA POLARITY & TEST DISTANCE: HORIZONTAL AT 3 M

| NO. | FREQ. (MHz) | EMISSION LEVEL (dBuV/m) | LIMIT (dBuV/m) | MARGIN (dB) | ANTENNA HEIGHT (m) | TABLE ANGLE (Degree) | RAW VALUE (dBuV) | CORRECTION FACTOR (dB/m) |
|-----|----------------|-------------------------------|-------------------|----------------|--------------------------|----------------------------|------------------------|--------------------------------|
| 1 | 5460.00 | 51.1 PK | 74.0 | -22.9 | 2.42 H | 254 | 47.5 | 3.6 |
| 2 | 5460.00 | 39.5 AV | 54.0 | -14.5 | 2.42 H | 254 | 35.9 | 3.6 |
| 3 | #5470.00 | 50.4 PK | 68.2 | -17.8 | 2.42 H | 254 | 46.8 | 3.6 |
| 4 | *5580.00 | 114.9 PK | | | 2.42 H | 254 | 111.1 | 3.8 |
| 5 | *5580.00 | 103.9 AV | | | 2.42 H | 254 | 100.1 | 3.8 |
| 6 | 11160.00 | 53.8 PK | 74.0 | -20.2 | 3.71 H | 242 | 40.1 | 13.7 |
| 7 | 11160.00 | 40.4 AV | 54.0 | -13.6 | 3.71 H | 242 | 26.7 | 13.7 |
| 8 | #16740.00 | 50.7 PK | 68.2 | -17.5 | 3.62 H | 60 | 33.7 | 17.0 |

ANTENNA POLARITY & TEST DISTANCE: VERTICAL AT 3 M

| NO. | FREQ. (MHz) | EMISSION LEVEL (dBuV/m) | LIMIT (dBuV/m) | MARGIN (dB) | ANTENNA HEIGHT (m) | TABLE ANGLE (Degree) | RAW VALUE (dBuV) | CORRECTION FACTOR (dB/m) |
|-----|----------------|-------------------------------|-------------------|----------------|--------------------------|----------------------------|------------------------|--------------------------------|
| 1 | 5460.00 | 50.9 PK | 74.0 | -23.1 | 4.00 V | 235 | 47.3 | 3.6 |
| 2 | 5460.00 | 38.4 AV | 54.0 | -15.6 | 4.00 V | 235 | 34.8 | 3.6 |
| 3 | #5470.00 | 50.5 PK | 68.2 | -17.7 | 4.00 V | 235 | 46.9 | 3.6 |
| 4 | *5580.00 | 111.2 PK | | | 4.00 V | 235 | 107.4 | 3.8 |
| 5 | *5580.00 | 100.6 AV | | | 4.00 V | 235 | 96.8 | 3.8 |
| 6 | 11160.00 | 50.5 PK | 74.0 | -23.5 | 2.27 V | 294 | 36.8 | 13.7 |
| 7 | 11160.00 | 38.7 AV | 54.0 | -15.3 | 2.27 V | 294 | 25.0 | 13.7 |
| 8 | #16740.00 | 55.8 PK | 68.2 | -12.4 | 3.06 V | 352 | 38.8 | 17.0 |

REMARKS:

1. Emission Level(dBuV/m) = Raw Value(dBuV) + Correction Factor(dB/m)
2. Correction Factor(dB/m) = Antenna Factor(dB/m) + Cable Factor(dB) – Pre-Amplifier Factor(dB)
3. The other emission levels were very low against the limit.
4. Margin value = Emission Level – Limit value
5. " * ": Fundamental frequency.
6. " # ": The radiated frequency is out of the restricted band.

| | | | |
|------------------------|----------------|------------------------------|--------------|
| CHANNEL | TX Channel 140 | DETECTOR FUNCTION | Peak (PK) |
| FREQUENCY RANGE | 1GHz ~ 40GHz | | Average (AV) |

ANTENNA POLARITY & TEST DISTANCE: HORIZONTAL AT 3 M

| NO. | FREQ. (MHz) | EMISSION LEVEL (dBuV/m) | LIMIT (dBuV/m) | MARGIN (dB) | ANTENNA HEIGHT (m) | TABLE ANGLE (Degree) | RAW VALUE (dBuV) | CORRECTION FACTOR (dB/m) |
|-----|----------------|-------------------------------|-------------------|----------------|--------------------------|----------------------------|------------------------|--------------------------------|
| 1 | *5700.00 | 113.4 PK | | | 2.52 H | 259 | 109.2 | 4.2 |
| 2 | *5700.00 | 98.5 AV | | | 2.52 H | 259 | 94.3 | 4.2 |
| 3 | #5725.00 | 66.2 PK | 68.2 | -2.0 | 2.52 H | 259 | 62.0 | 4.2 |
| 4 | 11400.00 | 53.9 PK | 74.0 | -20.1 | 3.70 H | 267 | 39.6 | 14.3 |
| 5 | 11400.00 | 40.8 AV | 54.0 | -13.2 | 3.70 H | 267 | 26.5 | 14.3 |
| 6 | #17100.00 | 51.0 PK | 68.2 | -17.2 | 3.69 H | 63 | 33.3 | 17.7 |

ANTENNA POLARITY & TEST DISTANCE: VERTICAL AT 3 M

| NO. | FREQ. (MHz) | EMISSION LEVEL (dBuV/m) | LIMIT (dBuV/m) | MARGIN (dB) | ANTENNA HEIGHT (m) | TABLE ANGLE (Degree) | RAW VALUE (dBuV) | CORRECTION FACTOR (dB/m) |
|-----|----------------|-------------------------------|-------------------|----------------|--------------------------|----------------------------|------------------------|--------------------------------|
| 1 | *5700.00 | 110.4 PK | | | 3.96 V | 231 | 106.2 | 4.2 |
| 2 | *5700.00 | 95.4 AV | | | 3.96 V | 231 | 91.2 | 4.2 |
| 3 | #5725.00 | 60.0 PK | 68.2 | -8.2 | 3.96 V | 231 | 55.8 | 4.2 |
| 4 | 11400.00 | 50.4 PK | 74.0 | -23.6 | 2.24 V | 299 | 36.1 | 14.3 |
| 5 | 11400.00 | 39.0 AV | 54.0 | -15.0 | 2.24 V | 299 | 24.7 | 14.3 |
| 6 | #17100.00 | 55.6 PK | 68.2 | -12.6 | 3.03 V | 360 | 37.9 | 17.7 |

REMARKS:

1. Emission Level(dBuV/m) = Raw Value(dBuV) + Correction Factor(dB/m)
2. Correction Factor(dB/m) = Antenna Factor(dB/m) + Cable Factor(dB) – Pre-Amplifier Factor(dB)
3. The other emission levels were very low against the limit.
4. Margin value = Emission Level – Limit value
5. " * ": Fundamental frequency.
6. " # ": The radiated frequency is out of the restricted band.

| | | | |
|------------------------|----------------|--------------------------|--------------|
| CHANNEL | TX Channel 144 | DETECTOR FUNCTION | Peak (PK) |
| FREQUENCY RANGE | 1GHz ~ 40GHz | | Average (AV) |

ANTENNA POLARITY & TEST DISTANCE: HORIZONTAL AT 3 M

| NO. | FREQ. (MHz) | EMISSION LEVEL (dBuV/m) | LIMIT (dBuV/m) | MARGIN (dB) | ANTENNA HEIGHT (m) | TABLE ANGLE (Degree) | RAW VALUE (dBuV) | CORRECTION FACTOR (dB/m) |
|-----|-------------|-------------------------|----------------|-------------|--------------------|----------------------|------------------|--------------------------|
| 1 | 5460.00 | 50.6 PK | 74.0 | -23.4 | 2.42 H | 251 | 47.0 | 3.6 |
| 2 | 5460.00 | 39.4 AV | 54.0 | -14.6 | 2.42 H | 251 | 35.8 | 3.6 |
| 3 | #5470.00 | 50.8 PK | 68.2 | -17.4 | 2.42 H | 251 | 47.2 | 3.6 |
| 4 | *5720.00 | 115.4 PK | | | 2.42 H | 251 | 111.2 | 4.2 |
| 5 | *5720.00 | 101.4 AV | | | 2.42 H | 251 | 97.2 | 4.2 |
| 6 | #5850.00 | 53.3 PK | 68.2 | -14.9 | 2.42 H | 251 | 48.8 | 4.5 |
| 7 | 11440.00 | 53.4 PK | 74.0 | -20.6 | 3.75 H | 267 | 39.1 | 14.3 |
| 8 | 11440.00 | 40.2 AV | 54.0 | -13.8 | 3.75 H | 267 | 25.9 | 14.3 |
| 9 | #17160.00 | 50.7 PK | 68.2 | -17.5 | 3.68 H | 81 | 33.2 | 17.5 |

ANTENNA POLARITY & TEST DISTANCE: VERTICAL AT 3 M

| NO. | FREQ. (MHz) | EMISSION LEVEL (dBuV/m) | LIMIT (dBuV/m) | MARGIN (dB) | ANTENNA HEIGHT (m) | TABLE ANGLE (Degree) | RAW VALUE (dBuV) | CORRECTION FACTOR (dB/m) |
|-----|-------------|-------------------------|----------------|-------------|--------------------|----------------------|------------------|--------------------------|
| 1 | 5460.00 | 50.7 PK | 74.0 | -23.3 | 3.95 V | 235 | 47.1 | 3.6 |
| 2 | 5460.00 | 38.6 AV | 54.0 | -15.4 | 3.95 V | 235 | 35.0 | 3.6 |
| 3 | #5470.00 | 51.1 PK | 68.2 | -17.1 | 3.95 V | 235 | 47.5 | 3.6 |
| 4 | *5720.00 | 112.1 PK | | | 3.95 V | 235 | 107.9 | 4.2 |
| 5 | *5720.00 | 98.6 AV | | | 3.95 V | 235 | 94.4 | 4.2 |
| 6 | #5850.00 | 51.8 PK | 68.2 | -16.4 | 3.95 V | 235 | 47.3 | 4.5 |
| 7 | 11440.00 | 50.4 PK | 74.0 | -23.6 | 2.28 V | 282 | 36.1 | 14.3 |
| 8 | 11440.00 | 39.0 AV | 54.0 | -15.0 | 2.28 V | 282 | 24.7 | 14.3 |
| 9 | #17160.00 | 56.1 PK | 68.2 | -12.1 | 3.09 V | 360 | 38.6 | 17.5 |

REMARKS:

1. Emission Level(dBuV/m) = Raw Value(dBuV) + Correction Factor(dB/m)
2. Correction Factor(dB/m) = Antenna Factor(dB/m) + Cable Factor(dB) – Pre-Amplifier Factor(dB)
3. The other emission levels were very low against the limit.
4. Margin value = Emission Level – Limit value
5. " * ": Fundamental frequency.
6. " # ": The radiated frequency is out of the restricted band.

| | | | |
|------------------------|----------------|------------------------------|--------------|
| CHANNEL | TX Channel 149 | DETECTOR FUNCTION | Peak (PK) |
| FREQUENCY RANGE | 1GHz ~ 40GHz | | Average (AV) |

ANTENNA POLARITY & TEST DISTANCE: HORIZONTAL AT 3 M

| NO. | FREQ. (MHz) | EMISSION LEVEL (dBuV/m) | LIMIT (dBuV/m) | MARGIN (dB) | ANTENNA HEIGHT (m) | TABLE ANGLE (Degree) | RAW VALUE (dBuV) | CORRECTION FACTOR (dB/m) |
|-----|----------------|-------------------------------|-------------------|----------------|--------------------------|----------------------------|------------------------|--------------------------------|
| 1 | #5585.87 | 53.2 PK | 68.2 | -15.0 | 2.43 H | 253 | 49.4 | 3.8 |
| 2 | *5745.00 | 116.4 PK | | | 2.43 H | 253 | 112.2 | 4.2 |
| 3 | *5745.00 | 105.3 AV | | | 2.43 H | 253 | 101.1 | 4.2 |
| 4 | #5924.86 | 52.5 PK | 68.3 | -15.8 | 2.43 H | 253 | 48.2 | 4.3 |
| 5 | 11490.00 | 46.3 PK | 74.0 | -27.7 | 2.59 H | 318 | 32.0 | 14.3 |
| 6 | 11490.00 | 33.4 AV | 54.0 | -20.6 | 2.59 H | 318 | 19.1 | 14.3 |
| 7 | #17235.00 | 45.6 PK | 68.2 | -22.6 | 2.79 H | 257 | 28.3 | 17.3 |

ANTENNA POLARITY & TEST DISTANCE: VERTICAL AT 3 M

| NO. | FREQ. (MHz) | EMISSION LEVEL (dBuV/m) | LIMIT (dBuV/m) | MARGIN (dB) | ANTENNA HEIGHT (m) | TABLE ANGLE (Degree) | RAW VALUE (dBuV) | CORRECTION FACTOR (dB/m) |
|-----|----------------|-------------------------------|-------------------|----------------|--------------------------|----------------------------|------------------------|--------------------------------|
| 1 | #5627.94 | 50.3 PK | 68.2 | -17.9 | 3.88 V | 168 | 46.5 | 3.8 |
| 2 | *5745.00 | 111.8 PK | | | 3.88 V | 168 | 107.6 | 4.2 |
| 3 | *5745.00 | 100.7 AV | | | 3.88 V | 168 | 96.5 | 4.2 |
| 4 | #5958.74 | 50.2 PK | 68.2 | -18.0 | 3.88 V | 168 | 45.7 | 4.5 |
| 5 | 11490.00 | 46.7 PK | 74.0 | -27.3 | 2.51 V | 86 | 32.4 | 14.3 |
| 6 | 11490.00 | 32.8 AV | 54.0 | -21.2 | 2.51 V | 86 | 18.5 | 14.3 |
| 7 | #17235.00 | 44.8 PK | 68.2 | -23.4 | 1.92 V | 360 | 27.5 | 17.3 |

REMARKS:

1. Emission Level(dBuV/m) = Raw Value(dBuV) + Correction Factor(dB/m)
2. Correction Factor(dB/m) = Antenna Factor(dB/m) + Cable Factor(dB) – Pre-Amplifier Factor(dB)
3. The other emission levels were very low against the limit.
4. Margin value = Emission Level – Limit value
5. " * ": Fundamental frequency.
6. " # ": The radiated frequency is out of the restricted band.

| | | | |
|------------------------|----------------|------------------------------|--------------|
| CHANNEL | TX Channel 157 | DETECTOR FUNCTION | Peak (PK) |
| FREQUENCY RANGE | 1GHz ~ 40GHz | | Average (AV) |

ANTENNA POLARITY & TEST DISTANCE: HORIZONTAL AT 3 M

| NO. | FREQ. (MHz) | EMISSION LEVEL (dBuV/m) | LIMIT (dBuV/m) | MARGIN (dB) | ANTENNA HEIGHT (m) | TABLE ANGLE (Degree) | RAW VALUE (dBuV) | CORRECTION FACTOR (dB/m) |
|-----|----------------|-------------------------------|-------------------|----------------|--------------------------|----------------------------|------------------------|--------------------------------|
| 1 | #5624.37 | 53.8 PK | 68.2 | -14.4 | 2.45 H | 251 | 50.0 | 3.8 |
| 2 | *5785.00 | 116.3 PK | | | 2.45 H | 251 | 112.0 | 4.3 |
| 3 | *5785.00 | 102.7 AV | | | 2.45 H | 251 | 98.4 | 4.3 |
| 4 | #5947.14 | 55.0 PK | 68.2 | -13.2 | 2.45 H | 251 | 50.6 | 4.4 |
| 5 | 11570.00 | 46.3 PK | 74.0 | -27.7 | 2.57 H | 307 | 32.2 | 14.1 |
| 6 | 11570.00 | 33.1 AV | 54.0 | -20.9 | 2.57 H | 307 | 19.0 | 14.1 |
| 7 | #17355.00 | 45.5 PK | 68.2 | -22.7 | 2.70 H | 263 | 27.9 | 17.6 |

ANTENNA POLARITY & TEST DISTANCE: VERTICAL AT 3 M

| NO. | FREQ. (MHz) | EMISSION LEVEL (dBuV/m) | LIMIT (dBuV/m) | MARGIN (dB) | ANTENNA HEIGHT (m) | TABLE ANGLE (Degree) | RAW VALUE (dBuV) | CORRECTION FACTOR (dB/m) |
|-----|----------------|-------------------------------|-------------------|----------------|--------------------------|----------------------------|------------------------|--------------------------------|
| 1 | #5593.14 | 50.3 PK | 68.2 | -17.9 | 3.83 V | 172 | 46.5 | 3.8 |
| 2 | *5785.00 | 110.8 PK | | | 3.83 V | 172 | 106.5 | 4.3 |
| 3 | *5785.00 | 99.8 AV | | | 3.83 V | 172 | 95.5 | 4.3 |
| 4 | #5937.59 | 50.6 PK | 68.2 | -17.6 | 3.83 V | 172 | 46.2 | 4.4 |
| 5 | 11570.00 | 46.7 PK | 74.0 | -27.3 | 2.51 V | 86 | 32.6 | 14.1 |
| 6 | 11570.00 | 32.8 AV | 54.0 | -21.2 | 2.51 V | 86 | 18.7 | 14.1 |
| 7 | #17355.00 | 44.8 PK | 68.2 | -23.4 | 1.92 V | 360 | 27.2 | 17.6 |

REMARKS:

1. Emission Level(dBuV/m) = Raw Value(dBuV) + Correction Factor(dB/m)
2. Correction Factor(dB/m) = Antenna Factor(dB/m) + Cable Factor(dB) – Pre-Amplifier Factor(dB)
3. The other emission levels were very low against the limit.
4. Margin value = Emission Level – Limit value
5. " * ": Fundamental frequency.
6. " # ": The radiated frequency is out of the restricted band.

| | | | |
|------------------------|----------------|------------------------------|--------------|
| CHANNEL | TX Channel 165 | DETECTOR FUNCTION | Peak (PK) |
| FREQUENCY RANGE | 1GHz ~ 40GHz | | Average (AV) |

ANTENNA POLARITY & TEST DISTANCE: HORIZONTAL AT 3 M

| NO. | FREQ. (MHz) | EMISSION LEVEL (dBuV/m) | LIMIT (dBuV/m) | MARGIN (dB) | ANTENNA HEIGHT (m) | TABLE ANGLE (Degree) | RAW VALUE (dBuV) | CORRECTION FACTOR (dB/m) |
|-----|----------------|-------------------------------|-------------------|----------------|--------------------------|----------------------------|------------------------|--------------------------------|
| 1 | #5580.33 | 51.9 PK | 68.2 | -16.3 | 2.52 H | 260 | 48.1 | 3.8 |
| 2 | *5825.00 | 116.7 PK | | | 2.52 H | 260 | 112.2 | 4.5 |
| 3 | *5825.00 | 103.3 AV | | | 2.52 H | 260 | 98.8 | 4.5 |
| 4 | #5987.30 | 54.8 PK | 68.2 | -13.4 | 2.52 H | 260 | 50.3 | 4.5 |
| 5 | 11650.00 | 46.7 PK | 74.0 | -27.3 | 2.64 H | 310 | 32.8 | 13.9 |
| 6 | 11650.00 | 33.5 AV | 54.0 | -20.5 | 2.64 H | 310 | 19.6 | 13.9 |
| 7 | #17475.00 | 45.9 PK | 68.2 | -22.3 | 2.69 H | 271 | 27.1 | 18.8 |

ANTENNA POLARITY & TEST DISTANCE: VERTICAL AT 3 M

| NO. | FREQ. (MHz) | EMISSION LEVEL (dBuV/m) | LIMIT (dBuV/m) | MARGIN (dB) | ANTENNA HEIGHT (m) | TABLE ANGLE (Degree) | RAW VALUE (dBuV) | CORRECTION FACTOR (dB/m) |
|-----|----------------|-------------------------------|-------------------|----------------|--------------------------|----------------------------|------------------------|--------------------------------|
| 1 | #5562.99 | 50.1 PK | 68.2 | -18.1 | 3.95 V | 170 | 46.4 | 3.7 |
| 2 | *5825.00 | 113.4 PK | | | 3.95 V | 170 | 108.9 | 4.5 |
| 3 | *5825.00 | 100.1 AV | | | 3.95 V | 170 | 95.6 | 4.5 |
| 4 | #5980.60 | 51.9 PK | 68.2 | -16.3 | 3.95 V | 170 | 47.4 | 4.5 |
| 5 | 11650.00 | 46.7 PK | 74.0 | -27.3 | 2.51 V | 86 | 32.8 | 13.9 |
| 6 | 11650.00 | 32.8 AV | 54.0 | -21.2 | 2.51 V | 86 | 18.9 | 13.9 |
| 7 | #17475.00 | 44.8 PK | 68.2 | -23.4 | 1.92 V | 360 | 26.0 | 18.8 |

REMARKS:

1. Emission Level(dBuV/m) = Raw Value(dBuV) + Correction Factor(dB/m)
2. Correction Factor(dB/m) = Antenna Factor(dB/m) + Cable Factor(dB) – Pre-Amplifier Factor(dB)
3. The other emission levels were very low against the limit.
4. Margin value = Emission Level – Limit value
5. " * ": Fundamental frequency.
6. " # ": The radiated frequency is out of the restricted band.

802.11ac (VHT40)

| | | | |
|------------------------|---------------|------------------------------|--------------|
| CHANNEL | TX Channel 38 | DETECTOR FUNCTION | Peak (PK) |
| FREQUENCY RANGE | 1GHz ~ 40GHz | | Average (AV) |

ANTENNA POLARITY & TEST DISTANCE: HORIZONTAL AT 3 M

| NO. | FREQ. (MHz) | EMISSION LEVEL (dBuV/m) | LIMIT (dBuV/m) | MARGIN (dB) | ANTENNA HEIGHT (m) | TABLE ANGLE (Degree) | RAW VALUE (dBuV) | CORRECTION FACTOR (dB/m) |
|-----|----------------|-------------------------------|-------------------|----------------|--------------------------|----------------------------|------------------------|--------------------------------|
| 1 | 5150.00 | 72.3 PK | 74.0 | -1.7 | 2.51 H | 250 | 68.9 | 3.4 |
| 2 | 5150.00 | 52.4 AV | 54.0 | -1.6 | 2.51 H | 250 | 49.0 | 3.4 |
| 3 | *5190.00 | 109.3 PK | | | 2.51 H | 250 | 105.8 | 3.5 |
| 4 | *5190.00 | 98.1 AV | | | 2.51 H | 250 | 94.6 | 3.5 |
| 5 | #10380.00 | 51.5 PK | 68.2 | -16.7 | 3.70 H | 261 | 38.0 | 13.5 |
| 6 | 15570.00 | 49.8 PK | 74.0 | -24.2 | 3.68 H | 66 | 36.0 | 13.8 |
| 7 | 15570.00 | 37.4 AV | 54.0 | -16.6 | 3.68 H | 66 | 23.6 | 13.8 |

ANTENNA POLARITY & TEST DISTANCE: VERTICAL AT 3 M

| NO. | FREQ. (MHz) | EMISSION LEVEL (dBuV/m) | LIMIT (dBuV/m) | MARGIN (dB) | ANTENNA HEIGHT (m) | TABLE ANGLE (Degree) | RAW VALUE (dBuV) | CORRECTION FACTOR (dB/m) |
|-----|----------------|-------------------------------|-------------------|----------------|--------------------------|----------------------------|------------------------|--------------------------------|
| 1 | 5150.00 | 64.7 PK | 74.0 | -9.3 | 4.00 V | 237 | 61.3 | 3.4 |
| 2 | 5150.00 | 49.6 AV | 54.0 | -4.4 | 4.00 V | 237 | 46.2 | 3.4 |
| 3 | *5190.00 | 106.4 PK | | | 4.00 V | 237 | 102.9 | 3.5 |
| 4 | *5190.00 | 95.4 AV | | | 4.00 V | 237 | 91.9 | 3.5 |
| 5 | #10380.00 | 49.1 PK | 68.2 | -19.1 | 2.28 V | 284 | 35.6 | 13.5 |
| 6 | 15570.00 | 55.0 PK | 74.0 | -19.0 | 3.12 V | 360 | 41.2 | 13.8 |
| 7 | 15570.00 | 41.6 AV | 54.0 | -12.4 | 3.12 V | 360 | 27.8 | 13.8 |

REMARKS:

1. Emission Level(dBuV/m) = Raw Value(dBuV) + Correction Factor(dB/m)
2. Correction Factor(dB/m) = Antenna Factor(dB/m) + Cable Factor(dB) – Pre-Amplifier Factor(dB)
3. The other emission levels were very low against the limit.
4. Margin value = Emission Level – Limit value
5. " * ": Fundamental frequency.
6. " # ": The radiated frequency is out of the restricted band.

| | | | |
|------------------------|---------------|------------------------------|--------------|
| CHANNEL | TX Channel 46 | DETECTOR FUNCTION | Peak (PK) |
| FREQUENCY RANGE | 1GHz ~ 40GHz | | Average (AV) |

ANTENNA POLARITY & TEST DISTANCE: HORIZONTAL AT 3 M

| NO. | FREQ. (MHz) | EMISSION LEVEL (dBuV/m) | LIMIT (dBuV/m) | MARGIN (dB) | ANTENNA HEIGHT (m) | TABLE ANGLE (Degree) | RAW VALUE (dBuV) | CORRECTION FACTOR (dB/m) |
|-----|----------------|-------------------------------|-------------------|----------------|--------------------------|----------------------------|------------------------|--------------------------------|
| 1 | 5150.00 | 63.8 PK | 74.0 | -10.2 | 1.76 H | 260 | 60.4 | 3.4 |
| 2 | 5150.00 | 47.5 AV | 54.0 | -6.5 | 1.76 H | 260 | 44.1 | 3.4 |
| 3 | *5230.00 | 113.4 PK | | | 1.76 H | 260 | 110.1 | 3.3 |
| 4 | *5230.00 | 100.5 AV | | | 1.76 H | 260 | 97.2 | 3.3 |
| 5 | 5350.00 | 57.3 PK | 74.0 | -16.7 | 1.76 H | 260 | 53.9 | 3.4 |
| 6 | 5350.00 | 41.8 AV | 54.0 | -12.2 | 1.76 H | 260 | 38.4 | 3.4 |
| 7 | #10460.00 | 51.8 PK | 68.2 | -16.4 | 3.64 H | 290 | 38.0 | 13.8 |
| 8 | 15690.00 | 50.2 PK | 74.0 | -23.8 | 3.69 H | 49 | 36.3 | 13.9 |
| 9 | 15690.00 | 37.8 AV | 54.0 | -16.2 | 3.69 H | 49 | 23.9 | 13.9 |

ANTENNA POLARITY & TEST DISTANCE: VERTICAL AT 3 M

| NO. | FREQ. (MHz) | EMISSION LEVEL (dBuV/m) | LIMIT (dBuV/m) | MARGIN (dB) | ANTENNA HEIGHT (m) | TABLE ANGLE (Degree) | RAW VALUE (dBuV) | CORRECTION FACTOR (dB/m) |
|-----|----------------|-------------------------------|-------------------|----------------|--------------------------|----------------------------|------------------------|--------------------------------|
| 1 | 5150.00 | 51.4 PK | 74.0 | -22.6 | 3.96 V | 232 | 48.0 | 3.4 |
| 2 | 5150.00 | 39.5 AV | 54.0 | -14.5 | 3.96 V | 232 | 36.1 | 3.4 |
| 3 | *5230.00 | 110.6 PK | | | 3.96 V | 232 | 107.3 | 3.3 |
| 4 | *5230.00 | 97.2 AV | | | 3.96 V | 232 | 93.9 | 3.3 |
| 5 | 5350.00 | 53.9 PK | 74.0 | -20.1 | 3.96 V | 232 | 50.5 | 3.4 |
| 6 | 5350.00 | 43.3 AV | 54.0 | -10.7 | 3.96 V | 232 | 39.9 | 3.4 |
| 7 | #10460.00 | 48.6 PK | 68.2 | -19.6 | 2.35 V | 281 | 34.8 | 13.8 |
| 8 | 15690.00 | 54.6 PK | 74.0 | -19.4 | 3.05 V | 360 | 40.7 | 13.9 |
| 9 | 15690.00 | 41.3 AV | 54.0 | -12.7 | 3.05 V | 360 | 27.4 | 13.9 |

REMARKS:

1. Emission Level(dBuV/m) = Raw Value(dBuV) + Correction Factor(dB/m)
2. Correction Factor(dB/m) = Antenna Factor(dB/m) + Cable Factor(dB) – Pre-Amplifier Factor(dB)
3. The other emission levels were very low against the limit.
4. Margin value = Emission Level – Limit value
5. " * ": Fundamental frequency.
6. " # ": The radiated frequency is out of the restricted band.

| | | | |
|------------------------|---------------|------------------------------|--------------|
| CHANNEL | TX Channel 54 | DETECTOR FUNCTION | Peak (PK) |
| FREQUENCY RANGE | 1GHz ~ 40GHz | | Average (AV) |

ANTENNA POLARITY & TEST DISTANCE: HORIZONTAL AT 3 M

| NO. | FREQ. (MHz) | EMISSION LEVEL (dBuV/m) | LIMIT (dBuV/m) | MARGIN (dB) | ANTENNA HEIGHT (m) | TABLE ANGLE (Degree) | RAW VALUE (dBuV) | CORRECTION FACTOR (dB/m) |
|-----|----------------|-------------------------------|-------------------|----------------|--------------------------|----------------------------|------------------------|--------------------------------|
| 1 | 5150.00 | 54.9 PK | 74.0 | -19.1 | 1.86 H | 261 | 51.5 | 3.4 |
| 2 | 5150.00 | 39.7 AV | 54.0 | -14.3 | 1.86 H | 261 | 36.3 | 3.4 |
| 3 | *5270.00 | 113.4 PK | | | 1.86 H | 261 | 110.2 | 3.2 |
| 4 | *5270.00 | 100.3 AV | | | 1.86 H | 261 | 97.1 | 3.2 |
| 5 | 5350.00 | 67.9 PK | 74.0 | -6.1 | 1.86 H | 261 | 64.5 | 3.4 |
| 6 | 5350.00 | 50.9 AV | 54.0 | -3.1 | 1.86 H | 261 | 47.5 | 3.4 |
| 7 | #10540.00 | 51.2 PK | 68.2 | -17.0 | 3.73 H | 267 | 37.5 | 13.7 |
| 8 | 15810.00 | 50.0 PK | 74.0 | -24.0 | 3.58 H | 60 | 36.5 | 13.5 |
| 9 | 15810.00 | 37.8 AV | 54.0 | -16.2 | 3.58 H | 60 | 24.3 | 13.5 |

ANTENNA POLARITY & TEST DISTANCE: VERTICAL AT 3 M

| NO. | FREQ. (MHz) | EMISSION LEVEL (dBuV/m) | LIMIT (dBuV/m) | MARGIN (dB) | ANTENNA HEIGHT (m) | TABLE ANGLE (Degree) | RAW VALUE (dBuV) | CORRECTION FACTOR (dB/m) |
|-----|----------------|-------------------------------|-------------------|----------------|--------------------------|----------------------------|------------------------|--------------------------------|
| 1 | 5150.00 | 51.0 PK | 74.0 | -23.0 | 3.96 V | 242 | 47.6 | 3.4 |
| 2 | 5150.00 | 38.7 AV | 54.0 | -15.3 | 3.96 V | 242 | 35.3 | 3.4 |
| 3 | *5270.00 | 110.1 PK | | | 3.96 V | 242 | 106.9 | 3.2 |
| 4 | *5270.00 | 96.6 AV | | | 3.96 V | 242 | 93.4 | 3.2 |
| 5 | 5350.00 | 60.6 PK | 74.0 | -13.4 | 3.96 V | 242 | 57.2 | 3.4 |
| 6 | 5350.00 | 45.7 AV | 54.0 | -8.3 | 3.96 V | 242 | 42.3 | 3.4 |
| 7 | #10540.00 | 48.6 PK | 68.2 | -19.6 | 2.24 V | 282 | 34.9 | 13.7 |
| 8 | 15810.00 | 54.9 PK | 74.0 | -19.1 | 3.13 V | 347 | 41.4 | 13.5 |
| 9 | 15810.00 | 41.7 AV | 54.0 | -12.3 | 3.13 V | 347 | 28.2 | 13.5 |

REMARKS:

1. Emission Level(dBuV/m) = Raw Value(dBuV) + Correction Factor(dB/m)
2. Correction Factor(dB/m) = Antenna Factor(dB/m) + Cable Factor(dB) – Pre-Amplifier Factor(dB)
3. The other emission levels were very low against the limit.
4. Margin value = Emission Level – Limit value
5. " * ": Fundamental frequency.
6. " # ": The radiated frequency is out of the restricted band.

| | | | |
|------------------------|---------------|------------------------------|--------------|
| CHANNEL | TX Channel 62 | DETECTOR FUNCTION | Peak (PK) |
| FREQUENCY RANGE | 1GHz ~ 40GHz | | Average (AV) |

ANTENNA POLARITY & TEST DISTANCE: HORIZONTAL AT 3 M

| NO. | FREQ. (MHz) | EMISSION LEVEL (dBuV/m) | LIMIT (dBuV/m) | MARGIN (dB) | ANTENNA HEIGHT (m) | TABLE ANGLE (Degree) | RAW VALUE (dBuV) | CORRECTION FACTOR (dB/m) |
|-----|----------------|-------------------------------|-------------------|----------------|--------------------------|----------------------------|------------------------|--------------------------------|
| 1 | *5310.00 | 110.9 PK | | | 1.76 H | 259 | 107.6 | 3.3 |
| 2 | *5310.00 | 97.3 AV | | | 1.76 H | 259 | 94.0 | 3.3 |
| 3 | 5350.00 | 72.1 PK | 74.0 | -1.9 | 1.76 H | 259 | 68.7 | 3.4 |
| 4 | 5350.00 | 52.5 AV | 54.0 | -1.5 | 1.76 H | 259 | 49.1 | 3.4 |
| 5 | 10620.00 | 51.3 PK | 74.0 | -22.7 | 3.68 H | 276 | 37.6 | 13.7 |
| 6 | 10620.00 | 39.2 AV | 54.0 | -14.8 | 3.68 H | 276 | 25.5 | 13.7 |
| 7 | 15930.00 | 49.6 PK | 74.0 | -24.4 | 3.64 H | 50 | 36.1 | 13.5 |
| 8 | 15930.00 | 37.4 AV | 54.0 | -16.6 | 3.64 H | 50 | 23.9 | 13.5 |

ANTENNA POLARITY & TEST DISTANCE: VERTICAL AT 3 M

| NO. | FREQ. (MHz) | EMISSION LEVEL (dBuV/m) | LIMIT (dBuV/m) | MARGIN (dB) | ANTENNA HEIGHT (m) | TABLE ANGLE (Degree) | RAW VALUE (dBuV) | CORRECTION FACTOR (dB/m) |
|-----|----------------|-------------------------------|-------------------|----------------|--------------------------|----------------------------|------------------------|--------------------------------|
| 1 | *5310.00 | 107.6 PK | | | 3.94 V | 234 | 104.3 | 3.3 |
| 2 | *5310.00 | 94.6 AV | | | 3.94 V | 234 | 91.3 | 3.3 |
| 3 | 5350.00 | 60.9 PK | 74.0 | -13.1 | 3.94 V | 234 | 57.5 | 3.4 |
| 4 | 5350.00 | 46.6 AV | 54.0 | -7.4 | 3.94 V | 234 | 43.2 | 3.4 |
| 5 | 10620.00 | 49.3 PK | 74.0 | -24.7 | 2.30 V | 290 | 35.6 | 13.7 |
| 6 | 10620.00 | 38.4 AV | 54.0 | -15.6 | 2.30 V | 290 | 24.7 | 13.7 |
| 7 | 15930.00 | 54.3 PK | 74.0 | -19.7 | 3.10 V | 358 | 40.8 | 13.5 |
| 8 | 15930.00 | 41.2 AV | 54.0 | -12.8 | 3.10 V | 358 | 27.7 | 13.5 |

REMARKS:

1. Emission Level(dBuV/m) = Raw Value(dBuV) + Correction Factor(dB/m)
2. Correction Factor(dB/m) = Antenna Factor(dB/m) + Cable Factor(dB) – Pre-Amplifier Factor(dB)
3. The other emission levels were very low against the limit.
4. Margin value = Emission Level – Limit value
5. " * ": Fundamental frequency.

| | | | |
|------------------------|----------------|------------------------------|--------------|
| CHANNEL | TX Channel 102 | DETECTOR FUNCTION | Peak (PK) |
| FREQUENCY RANGE | 1GHz ~ 40GHz | | Average (AV) |

ANTENNA POLARITY & TEST DISTANCE: HORIZONTAL AT 3 M

| NO. | FREQ. (MHz) | EMISSION LEVEL (dBuV/m) | LIMIT (dBuV/m) | MARGIN (dB) | ANTENNA HEIGHT (m) | TABLE ANGLE (Degree) | RAW VALUE (dBuV) | CORRECTION FACTOR (dB/m) |
|----------|-----------------|-------------------------------|-------------------|----------------|--------------------------|----------------------------|------------------------|--------------------------------|
| 1 | 5460.00 | 61.5 PK | 74.0 | -12.5 | 1.76 H | 251 | 57.9 | 3.6 |
| 2 | 5460.00 | 44.6 AV | 54.0 | -9.4 | 1.76 H | 251 | 41.0 | 3.6 |
| 3 | #5470.00 | 66.7 PK | 68.2 | -1.5 | 1.76 H | 251 | 63.1 | 3.6 |
| 4 | *5510.00 | 107.8 PK | | | 1.76 H | 251 | 104.2 | 3.6 |
| 5 | *5510.00 | 95.2 AV | | | 1.76 H | 251 | 91.6 | 3.6 |
| 6 | 11020.00 | 51.4 PK | 74.0 | -22.6 | 3.68 H | 282 | 37.5 | 13.9 |
| 7 | 11020.00 | 39.6 AV | 54.0 | -14.4 | 3.68 H | 282 | 25.7 | 13.9 |
| 8 | #16530.00 | 50.0 PK | 68.2 | -18.2 | 3.58 H | 43 | 34.0 | 16.0 |

ANTENNA POLARITY & TEST DISTANCE: VERTICAL AT 3 M

| NO. | FREQ. (MHz) | EMISSION LEVEL (dBuV/m) | LIMIT (dBuV/m) | MARGIN (dB) | ANTENNA HEIGHT (m) | TABLE ANGLE (Degree) | RAW VALUE (dBuV) | CORRECTION FACTOR (dB/m) |
|-----|----------------|-------------------------------|-------------------|----------------|--------------------------|----------------------------|------------------------|--------------------------------|
| 1 | 5460.00 | 57.6 PK | 74.0 | -16.4 | 3.91 V | 245 | 54.0 | 3.6 |
| 2 | 5460.00 | 42.0 AV | 54.0 | -12.0 | 3.91 V | 245 | 38.4 | 3.6 |
| 3 | #5470.00 | 61.1 PK | 68.2 | -7.1 | 3.91 V | 245 | 57.5 | 3.6 |
| 4 | *5510.00 | 104.2 PK | | | 3.91 V | 245 | 100.6 | 3.6 |
| 5 | *5510.00 | 92.4 AV | | | 3.91 V | 245 | 88.8 | 3.6 |
| 6 | 11020.00 | 49.0 PK | 74.0 | -25.0 | 2.29 V | 294 | 35.1 | 13.9 |
| 7 | 11020.00 | 38.1 AV | 54.0 | -15.9 | 2.29 V | 294 | 24.2 | 13.9 |
| 8 | #16530.00 | 54.4 PK | 68.2 | -13.8 | 3.06 V | 360 | 38.4 | 16.0 |

REMARKS:

1. Emission Level(dBuV/m) = Raw Value(dBuV) + Correction Factor(dB/m)
2. Correction Factor(dB/m) = Antenna Factor(dB/m) + Cable Factor(dB) – Pre-Amplifier Factor(dB)
3. The other emission levels were very low against the limit.
4. Margin value = Emission Level – Limit value
5. " * ": Fundamental frequency.
6. " # ": The radiated frequency is out of the restricted band.

| | | | |
|------------------------|----------------|------------------------------|--------------|
| CHANNEL | TX Channel 110 | DETECTOR FUNCTION | Peak (PK) |
| FREQUENCY RANGE | 1GHz ~ 40GHz | | Average (AV) |

ANTENNA POLARITY & TEST DISTANCE: HORIZONTAL AT 3 M

| NO. | FREQ. (MHz) | EMISSION LEVEL (dBuV/m) | LIMIT (dBuV/m) | MARGIN (dB) | ANTENNA HEIGHT (m) | TABLE ANGLE (Degree) | RAW VALUE (dBuV) | CORRECTION FACTOR (dB/m) |
|-----|----------------|-------------------------------|-------------------|----------------|--------------------------|----------------------------|------------------------|--------------------------------|
| 1 | 5460.00 | 60.2 PK | 74.0 | -13.8 | 1.73 H | 260 | 56.6 | 3.6 |
| 2 | 5460.00 | 44.3 AV | 54.0 | -9.7 | 1.73 H | 260 | 40.7 | 3.6 |
| 3 | #5470.00 | 65.4 PK | 68.2 | -2.8 | 1.73 H | 260 | 61.8 | 3.6 |
| 4 | *5550.00 | 112.7 PK | | | 1.73 H | 260 | 109.0 | 3.7 |
| 5 | *5550.00 | 99.1 AV | | | 1.73 H | 260 | 95.4 | 3.7 |
| 6 | 11100.00 | 51.4 PK | 74.0 | -22.6 | 3.64 H | 278 | 37.7 | 13.7 |
| 7 | 11100.00 | 39.5 AV | 54.0 | -14.5 | 3.64 H | 278 | 25.8 | 13.7 |
| 8 | #16650.00 | 50.2 PK | 68.2 | -18.0 | 3.59 H | 61 | 33.5 | 16.7 |

ANTENNA POLARITY & TEST DISTANCE: VERTICAL AT 3 M

| NO. | FREQ. (MHz) | EMISSION LEVEL (dBuV/m) | LIMIT (dBuV/m) | MARGIN (dB) | ANTENNA HEIGHT (m) | TABLE ANGLE (Degree) | RAW VALUE (dBuV) | CORRECTION FACTOR (dB/m) |
|-----|----------------|-------------------------------|-------------------|----------------|--------------------------|----------------------------|------------------------|--------------------------------|
| 1 | 5460.00 | 54.7 PK | 74.0 | -19.3 | 4.00 V | 248 | 51.1 | 3.6 |
| 2 | 5460.00 | 43.0 AV | 54.0 | -11.0 | 4.00 V | 248 | 39.4 | 3.6 |
| 3 | #5470.00 | 59.7 PK | 68.2 | -8.5 | 4.00 V | 248 | 56.1 | 3.6 |
| 4 | *5550.00 | 109.6 PK | | | 4.00 V | 248 | 105.9 | 3.7 |
| 5 | *5550.00 | 96.1 AV | | | 4.00 V | 248 | 92.4 | 3.7 |
| 6 | 11100.00 | 48.7 PK | 74.0 | -25.3 | 2.29 V | 298 | 35.0 | 13.7 |
| 7 | 11100.00 | 38.0 AV | 54.0 | -16.0 | 2.29 V | 298 | 24.3 | 13.7 |
| 8 | #16650.00 | 54.6 PK | 68.2 | -13.6 | 3.12 V | 360 | 37.9 | 16.7 |

REMARKS:

1. Emission Level(dBuV/m) = Raw Value(dBuV) + Correction Factor(dB/m)
2. Correction Factor(dB/m) = Antenna Factor(dB/m) + Cable Factor(dB) – Pre-Amplifier Factor(dB)
3. The other emission levels were very low against the limit.
4. Margin value = Emission Level – Limit value
5. " * ": Fundamental frequency.
6. " # ": The radiated frequency is out of the restricted band.

| | | | |
|------------------------|----------------|------------------------------|--------------|
| CHANNEL | TX Channel 134 | DETECTOR FUNCTION | Peak (PK) |
| FREQUENCY RANGE | 1GHz ~ 40GHz | | Average (AV) |

ANTENNA POLARITY & TEST DISTANCE: HORIZONTAL AT 3 M

| NO. | FREQ. (MHz) | EMISSION LEVEL (dBuV/m) | LIMIT (dBuV/m) | MARGIN (dB) | ANTENNA HEIGHT (m) | TABLE ANGLE (Degree) | RAW VALUE (dBuV) | CORRECTION FACTOR (dB/m) |
|-----|----------------|-------------------------------|-------------------|----------------|--------------------------|----------------------------|------------------------|--------------------------------|
| 1 | *5670.00 | 111.7 PK | | | 1.81 H | 262 | 107.7 | 4.0 |
| 2 | *5670.00 | 98.5 AV | | | 1.81 H | 262 | 94.5 | 4.0 |
| 3 | #5725.00 | 66.6 PK | 68.2 | -1.6 | 1.81 H | 262 | 62.4 | 4.2 |
| 4 | 11340.00 | 51.3 PK | 74.0 | -22.7 | 3.64 H | 288 | 37.0 | 14.3 |
| 5 | 11340.00 | 39.4 AV | 54.0 | -14.6 | 3.64 H | 288 | 25.1 | 14.3 |
| 6 | #17010.00 | 49.8 PK | 68.2 | -18.4 | 3.63 H | 57 | 32.2 | 17.6 |

ANTENNA POLARITY & TEST DISTANCE: VERTICAL AT 3 M

| NO. | FREQ. (MHz) | EMISSION LEVEL (dBuV/m) | LIMIT (dBuV/m) | MARGIN (dB) | ANTENNA HEIGHT (m) | TABLE ANGLE (Degree) | RAW VALUE (dBuV) | CORRECTION FACTOR (dB/m) |
|-----|----------------|-------------------------------|-------------------|----------------|--------------------------|----------------------------|------------------------|--------------------------------|
| 1 | *5670.00 | 108.5 PK | | | 3.92 V | 220 | 104.5 | 4.0 |
| 2 | *5670.00 | 95.4 AV | | | 3.92 V | 220 | 91.4 | 4.0 |
| 3 | #5725.00 | 58.0 PK | 68.2 | -10.2 | 3.92 V | 220 | 53.8 | 4.2 |
| 4 | 11340.00 | 49.2 PK | 74.0 | -24.8 | 2.25 V | 286 | 34.9 | 14.3 |
| 5 | 11340.00 | 38.1 AV | 54.0 | -15.9 | 2.25 V | 286 | 23.8 | 14.3 |
| 6 | #17010.00 | 54.5 PK | 68.2 | -13.7 | 3.07 V | 346 | 36.9 | 17.6 |

REMARKS:

1. Emission Level(dBuV/m) = Raw Value(dBuV) + Correction Factor(dB/m)
2. Correction Factor(dB/m) = Antenna Factor(dB/m) + Cable Factor(dB) – Pre-Amplifier Factor(dB)
3. The other emission levels were very low against the limit.
4. Margin value = Emission Level – Limit value
5. " * ": Fundamental frequency.
6. " # ": The radiated frequency is out of the restricted band.

| | | | |
|------------------------|----------------|------------------------------|--------------|
| CHANNEL | TX Channel 142 | DETECTOR FUNCTION | Peak (PK) |
| FREQUENCY RANGE | 1GHz ~ 40GHz | | Average (AV) |

ANTENNA POLARITY & TEST DISTANCE: HORIZONTAL AT 3 M

| NO. | FREQ. (MHz) | EMISSION LEVEL (dBuV/m) | LIMIT (dBuV/m) | MARGIN (dB) | ANTENNA HEIGHT (m) | TABLE ANGLE (Degree) | RAW VALUE (dBuV) | CORRECTION FACTOR (dB/m) |
|-----|----------------|-------------------------------|-------------------|----------------|--------------------------|----------------------------|------------------------|--------------------------------|
| 1 | 5460.00 | 52.0 PK | 74.0 | -22.0 | 1.84 H | 262 | 48.4 | 3.6 |
| 2 | 5460.00 | 39.8 AV | 54.0 | -14.2 | 1.84 H | 262 | 36.2 | 3.6 |
| 3 | #5470.00 | 52.1 PK | 68.2 | -16.1 | 1.84 H | 262 | 48.5 | 3.6 |
| 4 | *5710.00 | 112.6 PK | | | 1.84 H | 262 | 108.4 | 4.2 |
| 5 | *5710.00 | 99.5 AV | | | 1.84 H | 262 | 95.3 | 4.2 |
| 6 | #5850.00 | 53.3 PK | 68.2 | -14.9 | 1.84 H | 262 | 48.8 | 4.5 |
| 7 | 11420.00 | 51.9 PK | 74.0 | -22.1 | 3.64 H | 277 | 37.7 | 14.2 |
| 8 | 11420.00 | 39.6 AV | 54.0 | -14.4 | 3.64 H | 277 | 25.4 | 14.2 |
| 9 | #17130.00 | 49.9 PK | 68.2 | -18.3 | 3.59 H | 57 | 32.4 | 17.5 |

ANTENNA POLARITY & TEST DISTANCE: VERTICAL AT 3 M

| NO. | FREQ. (MHz) | EMISSION LEVEL (dBuV/m) | LIMIT (dBuV/m) | MARGIN (dB) | ANTENNA HEIGHT (m) | TABLE ANGLE (Degree) | RAW VALUE (dBuV) | CORRECTION FACTOR (dB/m) |
|-----|----------------|-------------------------------|-------------------|----------------|--------------------------|----------------------------|------------------------|--------------------------------|
| 1 | 5460.00 | 52.0 PK | 74.0 | -22.0 | 3.98 V | 227 | 48.4 | 3.6 |
| 2 | 5460.00 | 38.8 AV | 54.0 | -15.2 | 3.98 V | 227 | 35.2 | 3.6 |
| 3 | #5470.00 | 50.8 PK | 68.2 | -17.4 | 3.98 V | 227 | 47.2 | 3.6 |
| 4 | *5710.00 | 109.5 PK | | | 3.98 V | 227 | 105.3 | 4.2 |
| 5 | *5710.00 | 96.4 AV | | | 3.98 V | 227 | 92.2 | 4.2 |
| 6 | #5850.00 | 52.3 PK | 68.2 | -15.9 | 3.98 V | 227 | 47.8 | 4.5 |
| 7 | 11420.00 | 49.5 PK | 74.0 | -24.5 | 2.28 V | 287 | 35.3 | 14.2 |
| 8 | 11420.00 | 38.4 AV | 54.0 | -15.6 | 2.28 V | 287 | 24.2 | 14.2 |
| 9 | #17130.00 | 55.0 PK | 68.2 | -13.2 | 3.12 V | 360 | 37.5 | 17.5 |

REMARKS:

1. Emission Level(dBuV/m) = Raw Value(dBuV) + Correction Factor(dB/m)
2. Correction Factor(dB/m) = Antenna Factor(dB/m) + Cable Factor(dB) – Pre-Amplifier Factor(dB)
3. The other emission levels were very low against the limit.
4. Margin value = Emission Level – Limit value
5. " * ": Fundamental frequency.
6. " # ": The radiated frequency is out of the restricted band.

| | | | |
|------------------------|----------------|------------------------------|--------------|
| CHANNEL | TX Channel 151 | DETECTOR FUNCTION | Peak (PK) |
| FREQUENCY RANGE | 1GHz ~ 40GHz | | Average (AV) |

ANTENNA POLARITY & TEST DISTANCE: HORIZONTAL AT 3 M

| NO. | FREQ. (MHz) | EMISSION LEVEL (dBuV/m) | LIMIT (dBuV/m) | MARGIN (dB) | ANTENNA HEIGHT (m) | TABLE ANGLE (Degree) | RAW VALUE (dBuV) | CORRECTION FACTOR (dB/m) |
|-----|----------------|-------------------------------|-------------------|----------------|--------------------------|----------------------------|------------------------|--------------------------------|
| 1 | #5592.35 | 52.2 PK | 68.2 | -16.0 | 2.99 H | 272 | 48.4 | 3.8 |
| 2 | *5755.00 | 112.8 PK | | | 2.99 H | 272 | 108.6 | 4.2 |
| 3 | *5755.00 | 99.3 AV | | | 2.99 H | 272 | 95.1 | 4.2 |
| 4 | #5991.64 | 51.6 PK | 68.2 | -16.6 | 2.99 H | 272 | 47.1 | 4.5 |
| 5 | 11510.00 | 46.8 PK | 74.0 | -27.2 | 2.62 H | 308 | 32.6 | 14.2 |
| 6 | 11510.00 | 33.5 AV | 54.0 | -20.5 | 2.62 H | 308 | 19.3 | 14.2 |
| 7 | #17265.00 | 45.9 PK | 68.2 | -22.3 | 2.75 H | 257 | 28.5 | 17.4 |

ANTENNA POLARITY & TEST DISTANCE: VERTICAL AT 3 M

| NO. | FREQ. (MHz) | EMISSION LEVEL (dBuV/m) | LIMIT (dBuV/m) | MARGIN (dB) | ANTENNA HEIGHT (m) | TABLE ANGLE (Degree) | RAW VALUE (dBuV) | CORRECTION FACTOR (dB/m) |
|-----|----------------|-------------------------------|-------------------|----------------|--------------------------|----------------------------|------------------------|--------------------------------|
| 1 | #5591.81 | 50.8 PK | 68.2 | -17.4 | 3.88 V | 201 | 47.0 | 3.8 |
| 2 | *5755.00 | 109.8 PK | | | 3.88 V | 201 | 105.6 | 4.2 |
| 3 | *5755.00 | 96.2 AV | | | 3.88 V | 201 | 92.0 | 4.2 |
| 4 | #5944.55 | 50.7 PK | 68.2 | -17.5 | 3.88 V | 201 | 46.3 | 4.4 |
| 5 | 11510.00 | 46.7 PK | 74.0 | -27.3 | 2.54 V | 82 | 32.5 | 14.2 |
| 6 | 11510.00 | 33.1 AV | 54.0 | -20.9 | 2.54 V | 82 | 18.9 | 14.2 |
| 7 | #17265.00 | 44.6 PK | 68.2 | -23.6 | 1.91 V | 360 | 27.2 | 17.4 |

REMARKS:

1. Emission Level(dBuV/m) = Raw Value(dBuV) + Correction Factor(dB/m)
2. Correction Factor(dB/m) = Antenna Factor(dB/m) + Cable Factor(dB) – Pre-Amplifier Factor(dB)
3. The other emission levels were very low against the limit.
4. Margin value = Emission Level – Limit value
5. " * ": Fundamental frequency.
6. " # ": The radiated frequency is out of the restricted band.

| | | | |
|------------------------|----------------|------------------------------|--------------|
| CHANNEL | TX Channel 159 | DETECTOR FUNCTION | Peak (PK) |
| FREQUENCY RANGE | 1GHz ~ 40GHz | | Average (AV) |

ANTENNA POLARITY & TEST DISTANCE: HORIZONTAL AT 3 M

| NO. | FREQ. (MHz) | EMISSION LEVEL (dBuV/m) | LIMIT (dBuV/m) | MARGIN (dB) | ANTENNA HEIGHT (m) | TABLE ANGLE (Degree) | RAW VALUE (dBuV) | CORRECTION FACTOR (dB/m) |
|-----|----------------|-------------------------------|-------------------|----------------|--------------------------|----------------------------|------------------------|--------------------------------|
| 1 | #5638.09 | 53.4 PK | 68.2 | -14.8 | 3.04 H | 275 | 49.6 | 3.8 |
| 2 | *5795.00 | 112.8 PK | | | 3.04 H | 275 | 108.5 | 4.3 |
| 3 | *5795.00 | 99.4 AV | | | 3.04 H | 275 | 95.1 | 4.3 |
| 4 | #5949.59 | 55.6 PK | 68.2 | -12.6 | 3.04 H | 275 | 51.2 | 4.4 |
| 5 | 11590.00 | 46.8 PK | 74.0 | -27.2 | 2.61 H | 316 | 32.6 | 14.2 |
| 6 | 11590.00 | 33.5 AV | 54.0 | -20.5 | 2.61 H | 316 | 19.3 | 14.2 |
| 7 | #17385.00 | 45.8 PK | 68.2 | -22.4 | 2.73 H | 264 | 28.1 | 17.7 |

ANTENNA POLARITY & TEST DISTANCE: VERTICAL AT 3 M

| NO. | FREQ. (MHz) | EMISSION LEVEL (dBuV/m) | LIMIT (dBuV/m) | MARGIN (dB) | ANTENNA HEIGHT (m) | TABLE ANGLE (Degree) | RAW VALUE (dBuV) | CORRECTION FACTOR (dB/m) |
|-----|----------------|-------------------------------|-------------------|----------------|--------------------------|----------------------------|------------------------|--------------------------------|
| 1 | #5625.31 | 49.8 PK | 68.2 | -18.4 | 3.84 V | 188 | 46.0 | 3.8 |
| 2 | *5795.00 | 110.0 PK | | | 3.84 V | 188 | 105.7 | 4.3 |
| 3 | *5795.00 | 96.6 AV | | | 3.84 V | 188 | 92.3 | 4.3 |
| 4 | #5950.01 | 50.6 PK | 68.2 | -17.6 | 3.84 V | 188 | 46.1 | 4.5 |
| 5 | 11590.00 | 46.6 PK | 74.0 | -27.4 | 2.51 V | 80 | 32.4 | 14.2 |
| 6 | 11590.00 | 32.7 AV | 54.0 | -21.3 | 2.51 V | 80 | 18.5 | 14.2 |
| 7 | #17385.00 | 44.3 PK | 68.2 | -23.9 | 1.87 V | 360 | 26.6 | 17.7 |

REMARKS:

1. Emission Level(dBuV/m) = Raw Value(dBuV) + Correction Factor(dB/m)
2. Correction Factor(dB/m) = Antenna Factor(dB/m) + Cable Factor(dB) – Pre-Amplifier Factor(dB)
3. The other emission levels were very low against the limit.
4. Margin value = Emission Level – Limit value
5. " * ": Fundamental frequency.
6. " # ": The radiated frequency is out of the restricted band.

802.11ac (VHT80)

| | | | |
|------------------------|---------------|------------------------------|--------------|
| CHANNEL | TX Channel 42 | DETECTOR FUNCTION | Peak (PK) |
| FREQUENCY RANGE | 1GHz ~ 40GHz | | Average (AV) |

ANTENNA POLARITY & TEST DISTANCE: HORIZONTAL AT 3 M

| NO. | FREQ. (MHz) | EMISSION LEVEL (dBuV/m) | LIMIT (dBuV/m) | MARGIN (dB) | ANTENNA HEIGHT (m) | TABLE ANGLE (Degree) | RAW VALUE (dBuV) | CORRECTION FACTOR (dB/m) |
|-----|----------------|-------------------------------|-------------------|----------------|--------------------------|----------------------------|------------------------|--------------------------------|
| 1 | 5150.00 | 72.5 PK | 74.0 | -1.5 | 2.52 H | 275 | 69.1 | 3.4 |
| 2 | 5150.00 | 51.2 AV | 54.0 | -2.8 | 2.52 H | 275 | 47.8 | 3.4 |
| 3 | *5210.00 | 106.9 PK | | | 2.52 H | 275 | 103.5 | 3.4 |
| 4 | *5210.00 | 94.5 AV | | | 2.52 H | 275 | 91.1 | 3.4 |
| 5 | 5350.00 | 55.2 PK | 74.0 | -18.8 | 2.52 H | 275 | 51.8 | 3.4 |
| 6 | 5350.00 | 40.0 AV | 54.0 | -14.0 | 2.52 H | 275 | 36.6 | 3.4 |
| 7 | #10420.00 | 49.3 PK | 68.2 | -18.9 | 3.63 H | 284 | 35.7 | 13.6 |
| 8 | 15630.00 | 48.4 PK | 74.0 | -25.6 | 3.62 H | 62 | 34.5 | 13.9 |
| 9 | 15630.00 | 36.4 AV | 54.0 | -17.6 | 3.62 H | 62 | 22.5 | 13.9 |

ANTENNA POLARITY & TEST DISTANCE: VERTICAL AT 3 M

| NO. | FREQ. (MHz) | EMISSION LEVEL (dBuV/m) | LIMIT (dBuV/m) | MARGIN (dB) | ANTENNA HEIGHT (m) | TABLE ANGLE (Degree) | RAW VALUE (dBuV) | CORRECTION FACTOR (dB/m) |
|-----|----------------|-------------------------------|-------------------|----------------|--------------------------|----------------------------|------------------------|--------------------------------|
| 1 | 5150.00 | 62.1 PK | 74.0 | -11.9 | 3.86 V | 237 | 58.7 | 3.4 |
| 2 | 5150.00 | 42.4 AV | 54.0 | -11.6 | 3.86 V | 237 | 39.0 | 3.4 |
| 3 | *5210.00 | 103.2 PK | | | 3.86 V | 237 | 99.8 | 3.4 |
| 4 | *5210.00 | 91.4 AV | | | 3.86 V | 237 | 88.0 | 3.4 |
| 5 | 5350.00 | 51.7 PK | 74.0 | -22.3 | 3.86 V | 237 | 48.3 | 3.4 |
| 6 | 5350.00 | 38.4 AV | 54.0 | -15.6 | 3.86 V | 237 | 35.0 | 3.4 |
| 7 | #10420.00 | 48.4 PK | 68.2 | -19.8 | 2.28 V | 292 | 34.8 | 13.6 |
| 8 | 15630.00 | 53.2 PK | 74.0 | -20.8 | 3.12 V | 360 | 39.3 | 13.9 |
| 9 | 15630.00 | 40.3 AV | 54.0 | -13.7 | 3.12 V | 360 | 26.4 | 13.9 |

REMARKS:

- Emission Level(dBuV/m) = Raw Value(dBuV) + Correction Factor(dB/m)
- Correction Factor(dB/m) = Antenna Factor(dB/m) + Cable Factor(dB) – Pre-Amplifier Factor(dB)
- The other emission levels were very low against the limit.
- Margin value = Emission Level – Limit value
- " * ": Fundamental frequency.
- " # ": The radiated frequency is out of the restricted band.

| | | | |
|------------------------|---------------|------------------------------|--------------|
| CHANNEL | TX Channel 58 | DETECTOR FUNCTION | Peak (PK) |
| FREQUENCY RANGE | 1GHz ~ 40GHz | | Average (AV) |

ANTENNA POLARITY & TEST DISTANCE: HORIZONTAL AT 3 M

| NO. | FREQ. (MHz) | EMISSION LEVEL (dBuV/m) | LIMIT (dBuV/m) | MARGIN (dB) | ANTENNA HEIGHT (m) | TABLE ANGLE (Degree) | RAW VALUE (dBuV) | CORRECTION FACTOR (dB/m) |
|----------|----------------|-------------------------------|-------------------|----------------|--------------------------|----------------------------|------------------------|--------------------------------|
| 1 | 5150.00 | 53.2 PK | 74.0 | -20.8 | 2.52 H | 276 | 49.8 | 3.4 |
| 2 | 5150.00 | 40.1 AV | 54.0 | -13.9 | 2.52 H | 276 | 36.7 | 3.4 |
| 3 | *5290.00 | 107.3 PK | | | 2.52 H | 276 | 104.0 | 3.3 |
| 4 | *5290.00 | 95.5 AV | | | 2.52 H | 276 | 92.2 | 3.3 |
| 5 | 5350.00 | 72.5 PK | 74.0 | -1.5 | 2.52 H | 276 | 69.1 | 3.4 |
| 6 | 5350.00 | 49.5 AV | 54.0 | -4.5 | 2.52 H | 276 | 46.1 | 3.4 |
| 7 | #10580.00 | 49.6 PK | 68.2 | -18.6 | 3.62 H | 295 | 36.0 | 13.6 |
| 8 | 15870.00 | 48.8 PK | 74.0 | -25.2 | 3.60 H | 51 | 35.4 | 13.4 |
| 9 | 15870.00 | 36.8 AV | 54.0 | -17.2 | 3.60 H | 51 | 23.4 | 13.4 |

ANTENNA POLARITY & TEST DISTANCE: VERTICAL AT 3 M

| NO. | FREQ. (MHz) | EMISSION LEVEL (dBuV/m) | LIMIT (dBuV/m) | MARGIN (dB) | ANTENNA HEIGHT (m) | TABLE ANGLE (Degree) | RAW VALUE (dBuV) | CORRECTION FACTOR (dB/m) |
|-----|----------------|-------------------------------|-------------------|----------------|--------------------------|----------------------------|------------------------|--------------------------------|
| 1 | 5150.00 | 50.0 PK | 74.0 | -24.0 | 3.91 V | 248 | 46.6 | 3.4 |
| 2 | 5150.00 | 38.4 AV | 54.0 | -15.6 | 3.91 V | 248 | 35.0 | 3.4 |
| 3 | *5290.00 | 104.4 PK | | | 3.91 V | 248 | 101.1 | 3.3 |
| 4 | *5290.00 | 92.2 AV | | | 3.91 V | 248 | 88.9 | 3.3 |
| 5 | 5350.00 | 60.2 PK | 74.0 | -13.8 | 3.91 V | 248 | 56.8 | 3.4 |
| 6 | 5350.00 | 42.7 AV | 54.0 | -11.3 | 3.91 V | 248 | 39.3 | 3.4 |
| 7 | #10580.00 | 48.2 PK | 68.2 | -20.0 | 2.31 V | 293 | 34.6 | 13.6 |
| 8 | 15870.00 | 53.4 PK | 74.0 | -20.6 | 3.06 V | 349 | 40.0 | 13.4 |
| 9 | 15870.00 | 40.3 AV | 54.0 | -13.7 | 3.06 V | 349 | 26.9 | 13.4 |

REMARKS:

1. Emission Level(dBuV/m) = Raw Value(dBuV) + Correction Factor(dB/m)
2. Correction Factor(dB/m) = Antenna Factor(dB/m) + Cable Factor(dB) – Pre-Amplifier Factor(dB)
3. The other emission levels were very low against the limit.
4. Margin value = Emission Level – Limit value
5. " * ": Fundamental frequency.
6. " # ": The radiated frequency is out of the restricted band.

| | | | |
|------------------------|----------------|------------------------------|--------------|
| CHANNEL | TX Channel 106 | DETECTOR FUNCTION | Peak (PK) |
| FREQUENCY RANGE | 1GHz ~ 40GHz | | Average (AV) |

ANTENNA POLARITY & TEST DISTANCE: HORIZONTAL AT 3 M

| NO. | FREQ. (MHz) | EMISSION LEVEL (dBuV/m) | LIMIT (dBuV/m) | MARGIN (dB) | ANTENNA HEIGHT (m) | TABLE ANGLE (Degree) | RAW VALUE (dBuV) | CORRECTION FACTOR (dB/m) |
|-----|----------------|-------------------------------|-------------------|----------------|--------------------------|----------------------------|------------------------|--------------------------------|
| 1 | 5460.00 | 63.1 PK | 74.0 | -10.9 | 2.50 H | 253 | 59.5 | 3.6 |
| 2 | 5460.00 | 47.7 AV | 54.0 | -6.3 | 2.50 H | 253 | 44.1 | 3.6 |
| 3 | #5470.00 | 66.6 PK | 68.2 | -1.6 | 2.50 H | 253 | 63.0 | 3.6 |
| 4 | *5530.00 | 104.5 PK | | | 2.50 H | 253 | 100.8 | 3.7 |
| 5 | *5530.00 | 92.1 AV | | | 2.50 H | 253 | 88.4 | 3.7 |
| 6 | #5725.00 | 53.0 PK | 68.2 | -15.2 | 2.50 H | 253 | 48.8 | 4.2 |
| 7 | 11060.00 | 49.3 PK | 74.0 | -24.7 | 3.67 H | 278 | 35.5 | 13.8 |
| 8 | 11060.00 | 37.3 AV | 54.0 | -16.7 | 3.67 H | 278 | 23.5 | 13.8 |
| 9 | #16590.00 | 48.3 PK | 68.2 | -19.9 | 3.57 H | 77 | 31.9 | 16.4 |

ANTENNA POLARITY & TEST DISTANCE: VERTICAL AT 3 M

| NO. | FREQ. (MHz) | EMISSION LEVEL (dBuV/m) | LIMIT (dBuV/m) | MARGIN (dB) | ANTENNA HEIGHT (m) | TABLE ANGLE (Degree) | RAW VALUE (dBuV) | CORRECTION FACTOR (dB/m) |
|-----|----------------|-------------------------------|-------------------|----------------|--------------------------|----------------------------|------------------------|--------------------------------|
| 1 | 5460.00 | 51.3 PK | 74.0 | -22.7 | 4.00 V | 182 | 47.7 | 3.6 |
| 2 | 5460.00 | 39.6 AV | 54.0 | -14.4 | 4.00 V | 182 | 36.0 | 3.6 |
| 3 | #5470.00 | 50.8 PK | 68.2 | -17.4 | 4.00 V | 182 | 47.2 | 3.6 |
| 4 | *5530.00 | 105.7 PK | | | 4.00 V | 182 | 102.0 | 3.7 |
| 5 | *5530.00 | 89.4 AV | | | 4.00 V | 182 | 85.7 | 3.7 |
| 6 | #5725.00 | 51.2 PK | 68.2 | -17.0 | 4.00 V | 182 | 47.0 | 4.2 |
| 7 | 11060.00 | 47.4 PK | 74.0 | -26.6 | 2.30 V | 283 | 33.6 | 13.8 |
| 8 | 11060.00 | 37.5 AV | 54.0 | -16.5 | 2.30 V | 283 | 23.7 | 13.8 |
| 9 | #16590.00 | 53.2 PK | 68.2 | -15.0 | 3.16 V | 360 | 36.8 | 16.4 |

REMARKS:

1. Emission Level(dBuV/m) = Raw Value(dBuV) + Correction Factor(dB/m)
2. Correction Factor(dB/m) = Antenna Factor(dB/m) + Cable Factor(dB) – Pre-Amplifier Factor(dB)
3. The other emission levels were very low against the limit.
4. Margin value = Emission Level – Limit value
5. " * ": Fundamental frequency.
6. " # ": The radiated frequency is out of the restricted band.

| | | | |
|------------------------|----------------|------------------------------|--------------|
| CHANNEL | TX Channel 122 | DETECTOR FUNCTION | Peak (PK) |
| FREQUENCY RANGE | 1GHz ~ 40GHz | | Average (AV) |

ANTENNA POLARITY & TEST DISTANCE: HORIZONTAL AT 3 M

| NO. | FREQ. (MHz) | EMISSION LEVEL (dBuV/m) | LIMIT (dBuV/m) | MARGIN (dB) | ANTENNA HEIGHT (m) | TABLE ANGLE (Degree) | RAW VALUE (dBuV) | CORRECTION FACTOR (dB/m) |
|-----|----------------|-------------------------------|-------------------|----------------|--------------------------|----------------------------|------------------------|--------------------------------|
| 1 | *5610.00 | 110.9 PK | | | 2.47 H | 253 | 107.1 | 3.8 |
| 2 | *5610.00 | 97.8 AV | | | 2.47 H | 253 | 94.0 | 3.8 |
| 3 | #5725.00 | 66.7 PK | 68.2 | -1.5 | 2.47 H | 253 | 62.5 | 4.2 |
| 4 | 11220.00 | 49.0 PK | 74.0 | -25.0 | 3.66 H | 287 | 35.2 | 13.8 |
| 5 | 11220.00 | 37.3 AV | 54.0 | -16.7 | 3.66 H | 287 | 23.5 | 13.8 |
| 6 | #16830.00 | 48.1 PK | 68.2 | -20.1 | 3.65 H | 53 | 30.9 | 17.2 |

ANTENNA POLARITY & TEST DISTANCE: VERTICAL AT 3 M

| NO. | FREQ. (MHz) | EMISSION LEVEL (dBuV/m) | LIMIT (dBuV/m) | MARGIN (dB) | ANTENNA HEIGHT (m) | TABLE ANGLE (Degree) | RAW VALUE (dBuV) | CORRECTION FACTOR (dB/m) |
|-----|----------------|-------------------------------|-------------------|----------------|--------------------------|----------------------------|------------------------|--------------------------------|
| 1 | *5610.00 | 107.2 PK | | | 3.91 V | 242 | 103.4 | 3.8 |
| 2 | *5610.00 | 94.2 AV | | | 3.91 V | 242 | 90.4 | 3.8 |
| 3 | #5725.00 | 57.4 PK | 68.2 | -10.8 | 3.91 V | 242 | 53.2 | 4.2 |
| 4 | 11220.00 | 47.2 PK | 74.0 | -26.8 | 2.30 V | 279 | 33.4 | 13.8 |
| 5 | 11220.00 | 37.0 AV | 54.0 | -17.0 | 2.30 V | 279 | 23.2 | 13.8 |
| 6 | #16830.00 | 53.6 PK | 68.2 | -14.6 | 3.10 V | 354 | 36.4 | 17.2 |

REMARKS:

1. Emission Level(dBuV/m) = Raw Value(dBuV) + Correction Factor(dB/m)
2. Correction Factor(dB/m) = Antenna Factor(dB/m) + Cable Factor(dB) – Pre-Amplifier Factor(dB)
3. The other emission levels were very low against the limit.
4. Margin value = Emission Level – Limit value
5. " * ": Fundamental frequency.
6. " # ": The radiated frequency is out of the restricted band.

| | | | |
|------------------------|----------------|------------------------------|--------------|
| CHANNEL | TX Channel 138 | DETECTOR FUNCTION | Peak (PK) |
| FREQUENCY RANGE | 1GHz ~ 40GHz | | Average (AV) |

ANTENNA POLARITY & TEST DISTANCE: HORIZONTAL AT 3 M

| NO. | FREQ. (MHz) | EMISSION LEVEL (dBuV/m) | LIMIT (dBuV/m) | MARGIN (dB) | ANTENNA HEIGHT (m) | TABLE ANGLE (Degree) | RAW VALUE (dBuV) | CORRECTION FACTOR (dB/m) |
|-----|----------------|-------------------------------|-------------------|----------------|--------------------------|----------------------------|------------------------|--------------------------------|
| 1 | 5460.00 | 51.3 PK | 74.0 | -22.7 | 2.49 H | 254 | 47.7 | 3.6 |
| 2 | 5460.00 | 39.8 AV | 54.0 | -14.2 | 2.49 H | 254 | 36.2 | 3.6 |
| 3 | #5470.00 | 53.0 PK | 68.2 | -15.2 | 2.49 H | 254 | 49.4 | 3.6 |
| 4 | *5690.00 | 112.0 PK | | | 2.49 H | 254 | 107.8 | 4.2 |
| 5 | *5690.00 | 100.2 AV | | | 2.49 H | 254 | 96.0 | 4.2 |
| 6 | #5850.00 | 65.8 PK | 68.2 | -2.4 | 2.49 H | 254 | 61.3 | 4.5 |
| 7 | 11380.00 | 49.1 PK | 74.0 | -24.9 | 3.57 H | 288 | 34.9 | 14.2 |
| 8 | 11380.00 | 37.7 AV | 54.0 | -16.3 | 3.57 H | 288 | 23.5 | 14.2 |
| 9 | #17070.00 | 48.4 PK | 68.2 | -19.8 | 3.59 H | 57 | 30.8 | 17.6 |

ANTENNA POLARITY & TEST DISTANCE: VERTICAL AT 3 M

| NO. | FREQ. (MHz) | EMISSION LEVEL (dBuV/m) | LIMIT (dBuV/m) | MARGIN (dB) | ANTENNA HEIGHT (m) | TABLE ANGLE (Degree) | RAW VALUE (dBuV) | CORRECTION FACTOR (dB/m) |
|-----|----------------|-------------------------------|-------------------|----------------|--------------------------|----------------------------|------------------------|--------------------------------|
| 1 | 5460.00 | 50.9 PK | 74.0 | -23.1 | 3.89 V | 254 | 47.3 | 3.6 |
| 2 | 5460.00 | 38.2 AV | 54.0 | -15.8 | 3.89 V | 254 | 34.6 | 3.6 |
| 3 | #5470.00 | 49.8 PK | 68.2 | -18.4 | 3.89 V | 254 | 46.2 | 3.6 |
| 4 | *5690.00 | 108.8 PK | | | 3.89 V | 254 | 104.6 | 4.2 |
| 5 | *5690.00 | 96.8 AV | | | 3.89 V | 254 | 92.6 | 4.2 |
| 6 | #5850.00 | 51.4 PK | 68.2 | -16.8 | 3.89 V | 254 | 46.9 | 4.5 |
| 7 | 11380.00 | 47.5 PK | 74.0 | -26.5 | 2.30 V | 277 | 33.3 | 14.2 |
| 8 | 11380.00 | 37.9 AV | 54.0 | -16.1 | 2.30 V | 277 | 23.7 | 14.2 |
| 9 | #17070.00 | 53.4 PK | 68.2 | -14.8 | 3.08 V | 360 | 35.8 | 17.6 |

REMARKS:

1. Emission Level(dBuV/m) = Raw Value(dBuV) + Correction Factor(dB/m)
2. Correction Factor(dB/m) = Antenna Factor(dB/m) + Cable Factor(dB) – Pre-Amplifier Factor(dB)
3. The other emission levels were very low against the limit.
4. Margin value = Emission Level – Limit value
5. " * ": Fundamental frequency.
6. " # ": The radiated frequency is out of the restricted band.

| | | | |
|------------------------|----------------|------------------------------|--------------|
| CHANNEL | TX Channel 155 | DETECTOR FUNCTION | Peak (PK) |
| FREQUENCY RANGE | 1GHz ~ 40GHz | | Average (AV) |

ANTENNA POLARITY & TEST DISTANCE: HORIZONTAL AT 3 M

| NO. | FREQ. (MHz) | EMISSION LEVEL (dBuV/m) | LIMIT (dBuV/m) | MARGIN (dB) | ANTENNA HEIGHT (m) | TABLE ANGLE (Degree) | RAW VALUE (dBuV) | CORRECTION FACTOR (dB/m) |
|-----|----------------|-------------------------------|-------------------|----------------|--------------------------|----------------------------|------------------------|--------------------------------|
| 1 | #5641.45 | 66.3 PK | 68.2 | -1.9 | 2.47 H | 254 | 62.5 | 3.8 |
| 2 | *5775.00 | 110.7 PK | | | 2.47 H | 254 | 106.4 | 4.3 |
| 3 | *5775.00 | 98.7 AV | | | 2.47 H | 254 | 94.4 | 4.3 |
| 4 | #5931.13 | 62.5 PK | 68.2 | -5.7 | 2.47 H | 254 | 58.1 | 4.4 |
| 5 | 11550.00 | 48.7 PK | 74.0 | -25.3 | 3.59 H | 296 | 34.5 | 14.2 |
| 6 | 11550.00 | 37.2 AV | 54.0 | -16.8 | 3.59 H | 296 | 23.0 | 14.2 |
| 7 | #17325.00 | 49.1 PK | 68.2 | -19.1 | 3.57 H | 70 | 31.6 | 17.5 |

ANTENNA POLARITY & TEST DISTANCE: VERTICAL AT 3 M

| NO. | FREQ. (MHz) | EMISSION LEVEL (dBuV/m) | LIMIT (dBuV/m) | MARGIN (dB) | ANTENNA HEIGHT (m) | TABLE ANGLE (Degree) | RAW VALUE (dBuV) | CORRECTION FACTOR (dB/m) |
|-----|----------------|-------------------------------|-------------------|----------------|--------------------------|----------------------------|------------------------|--------------------------------|
| 1 | #5646.84 | 59.5 PK | 68.2 | -8.7 | 4.00 V | 182 | 55.6 | 3.9 |
| 2 | *5775.00 | 108.9 PK | | | 3.84 V | 256 | 104.6 | 4.3 |
| 3 | *5775.00 | 96.6 AV | | | 3.84 V | 256 | 92.3 | 4.3 |
| 4 | #5930.70 | 53.8 PK | 68.2 | -14.4 | 4.00 V | 182 | 49.4 | 4.4 |
| 5 | 11550.00 | 47.9 PK | 74.0 | -26.1 | 2.33 V | 291 | 33.7 | 14.2 |
| 6 | 11550.00 | 37.9 AV | 54.0 | -16.1 | 2.33 V | 291 | 23.7 | 14.2 |
| 7 | #17325.00 | 53.0 PK | 68.2 | -15.2 | 3.10 V | 360 | 35.5 | 17.5 |

REMARKS:

1. Emission Level(dBuV/m) = Raw Value(dBuV) + Correction Factor(dB/m)
2. Correction Factor(dB/m) = Antenna Factor(dB/m) + Cable Factor(dB) – Pre-Amplifier Factor(dB)
3. The other emission levels were very low against the limit.
4. Margin value = Emission Level – Limit value
5. " * ": Fundamental frequency.
6. " # ": The radiated frequency is out of the restricted band.

Below 1GHz Data:
802.11ac (VHT20)

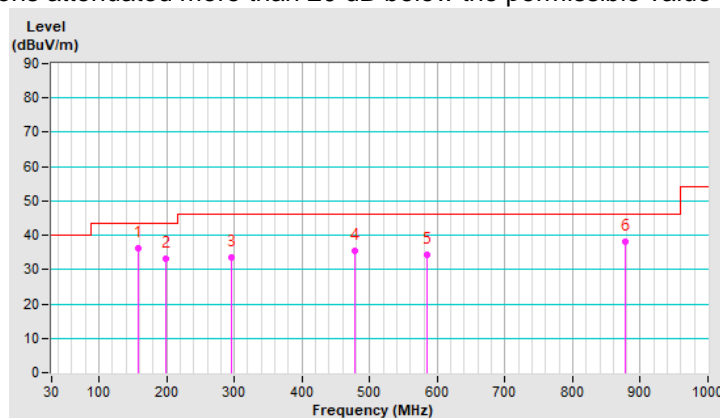
| | | | |
|------------------------|----------------|--------------------------|-----------------|
| CHANNEL | TX Channel 157 | DETECTOR FUNCTION | Quasi-Peak (QP) |
| FREQUENCY RANGE | 9kHz ~ 1GHz | | |

ANTENNA POLARITY & TEST DISTANCE: HORIZONTAL AT 3 M

| NO. | FREQ. (MHz) | EMISSION LEVEL (dBuV/m) | LIMIT (dBuV/m) | MARGIN (dB) | ANTENNA HEIGHT (m) | TABLE ANGLE (Degree) | RAW VALUE (dBuV) | CORRECTION FACTOR (dB/m) |
|-----|-------------|-------------------------|----------------|-------------|--------------------|----------------------|------------------|--------------------------|
| 1 | 158.28 | 36.2 QP | 43.5 | -7.3 | 1.06 H | 174 | 43.8 | -7.6 |
| 2 | 198.32 | 33.2 QP | 43.5 | -10.3 | 1.55 H | 171 | 44.2 | -11.0 |
| 3 | 296.20 | 33.6 QP | 46.0 | -12.4 | 2.08 H | 211 | 40.6 | -7.0 |
| 4 | 477.28 | 35.3 QP | 46.0 | -10.7 | 1.18 H | 121 | 37.4 | -2.1 |
| 5 | 585.26 | 34.4 QP | 46.0 | -11.6 | 1.18 H | 77 | 34.0 | 0.4 |
| 6 | 877.11 | 38.2 QP | 46.0 | -7.8 | 1.19 H | 231 | 32.8 | 5.4 |

REMARKS:

1. Emission Level(dBuV/m) = Raw Value(dBuV) + Correction Factor(dB/m)
2. Correction Factor(dB/m) = Antenna Factor(dB/m) + Cable Factor(dB) – Pre-Amplifier Factor(dB)
3. Margin value = Emission Level – Limit value
4. The other emission levels were very low against the limit of frequency range 30MHz~1000MHz.
5. The emission levels were very low against the limit of frequency range 9kHz~30MHz: the amplitude of spurious emissions attenuated more than 20 dB below the permissible value to be report.



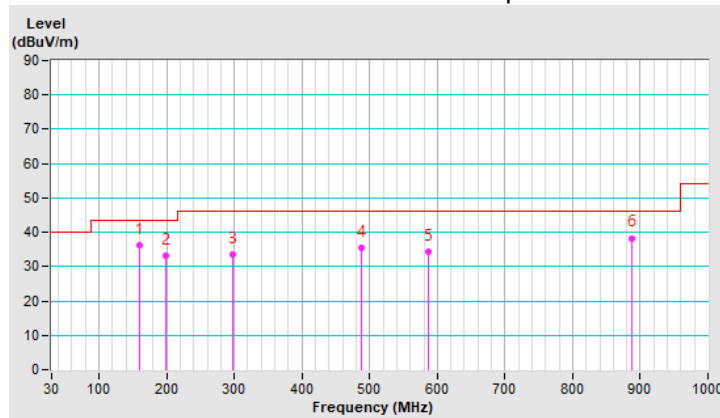
| | | | |
|------------------------|----------------|--------------------------|-----------------|
| CHANNEL | TX Channel 157 | DETECTOR FUNCTION | Quasi-Peak (QP) |
| FREQUENCY RANGE | 9kHz ~ 1GHz | | |

ANTENNA POLARITY & TEST DISTANCE: VERTICAL AT 3 M

| NO. | FREQ. (MHz) | EMISSION LEVEL (dBuV/m) | LIMIT (dBuV/m) | MARGIN (dB) | ANTENNA HEIGHT (m) | TABLE ANGLE (Degree) | RAW VALUE (dBuV) | CORRECTION FACTOR (dB/m) |
|-----|-------------|-------------------------|----------------|-------------|--------------------|----------------------|------------------|--------------------------|
| 1 | 160.38 | 36.3 QP | 43.5 | -7.2 | 1.26 V | 184 | 44.0 | -7.7 |
| 2 | 199.32 | 33.3 QP | 43.5 | -10.2 | 1.65 V | 191 | 44.3 | -11.0 |
| 3 | 298.20 | 33.7 QP | 46.0 | -12.3 | 2.18 V | 231 | 40.5 | -6.8 |
| 4 | 487.28 | 35.3 QP | 46.0 | -10.7 | 1.38 V | 131 | 37.2 | -1.9 |
| 5 | 586.26 | 34.4 QP | 46.0 | -11.6 | 1.28 V | 87 | 33.9 | 0.5 |
| 6 | 887.11 | 38.3 QP | 46.0 | -7.7 | 1.29 V | 201 | 32.7 | 5.6 |

REMARKS:

1. Emission Level(dBuV/m) = Raw Value(dBuV) + Correction Factor(dB/m)
2. Correction Factor(dB/m) = Antenna Factor(dB/m) + Cable Factor(dB) – Pre-Amplifier Factor(dB)
3. Margin value = Emission Level – Limit value
4. The other emission levels were very low against the limit of frequency range 30MHz~1000MHz.
5. The emission levels were very low against the limit of frequency range 9kHz~30MHz: the amplitude of spurious emissions attenuated more than 20 dB below the permissible value to be report.



4.1.8 Test Results (Mode 2)

Dipole Antenna
Above 1GHz Data:
802.11a

| | | | |
|------------------------|---------------|------------------------------|--------------|
| CHANNEL | TX Channel 36 | DETECTOR FUNCTION | Peak (PK) |
| FREQUENCY RANGE | 1GHz ~ 40GHz | | Average (AV) |

| ANTENNA POLARITY & TEST DISTANCE: HORIZONTAL AT 3 M | | | | | | | | |
|---|----------------|-------------------------------|-------------------|----------------|--------------------------|----------------------------|------------------------|--------------------------------|
| NO. | FREQ. (MHz) | EMISSION LEVEL (dBuV/m) | LIMIT (dBuV/m) | MARGIN (dB) | ANTENNA HEIGHT (m) | TABLE ANGLE (Degree) | RAW VALUE (dBuV) | CORRECTION FACTOR (dB/m) |
| 1 | 5150.00 | 57.9 PK | 74.0 | -16.1 | 1.19 H | 254 | 54.5 | 3.4 |
| 2 | 5150.00 | 42.3 AV | 54.0 | -11.7 | 1.19 H | 254 | 38.9 | 3.4 |
| 3 | *5180.00 | 101.3 PK | | | 1.19 H | 254 | 97.9 | 3.4 |
| 4 | *5180.00 | 91.8 AV | | | 1.19 H | 254 | 88.4 | 3.4 |
| 5 | #10360.00 | 47.5 PK | 68.2 | -20.7 | 2.43 H | 239 | 34.0 | 13.5 |
| 6 | 15540.00 | 46.5 PK | 74.0 | -27.5 | 1.71 H | 360 | 32.7 | 13.8 |
| 7 | 15540.00 | 34.9 AV | 54.0 | -19.1 | 1.71 H | 360 | 21.1 | 13.8 |

| ANTENNA POLARITY & TEST DISTANCE: VERTICAL AT 3 M | | | | | | | | |
|---|----------------|-------------------------------|-------------------|----------------|--------------------------|----------------------------|------------------------|--------------------------------|
| NO. | FREQ. (MHz) | EMISSION LEVEL (dBuV/m) | LIMIT (dBuV/m) | MARGIN (dB) | ANTENNA HEIGHT (m) | TABLE ANGLE (Degree) | RAW VALUE (dBuV) | CORRECTION FACTOR (dB/m) |
| 1 | 5150.00 | 66.4 PK | 74.0 | -7.6 | 1.20 V | 52 | 63.0 | 3.4 |
| 2 | 5150.00 | 50.2 AV | 54.0 | -3.8 | 1.20 V | 52 | 46.8 | 3.4 |
| 3 | *5180.00 | 109.2 PK | | | 1.20 V | 52 | 105.8 | 3.4 |
| 4 | *5180.00 | 100.4 AV | | | 1.20 V | 52 | 97.0 | 3.4 |
| 5 | #10360.00 | 47.8 PK | 68.2 | -20.4 | 1.53 V | 360 | 34.3 | 13.5 |
| 6 | 15540.00 | 47.3 PK | 74.0 | -26.7 | 3.06 V | 1 | 33.5 | 13.8 |
| 7 | 15540.00 | 34.8 AV | 54.0 | -19.2 | 3.06 V | 1 | 21.0 | 13.8 |

REMARKS:

1. Emission Level(dBuV/m) = Raw Value(dBuV) + Correction Factor(dB/m)
2. Correction Factor(dB/m) = Antenna Factor(dB/m) + Cable Factor(dB) – Pre-Amplifier Factor(dB)
3. The other emission levels were very low against the limit.
4. Margin value = Emission Level – Limit value
5. " * ": Fundamental frequency.
6. " # ": The radiated frequency is out of the restricted band.

| | | | |
|------------------------|---------------|------------------------------|--------------|
| CHANNEL | TX Channel 40 | DETECTOR FUNCTION | Peak (PK) |
| FREQUENCY RANGE | 1GHz ~ 40GHz | | Average (AV) |

ANTENNA POLARITY & TEST DISTANCE: HORIZONTAL AT 3 M

| NO. | FREQ. (MHz) | EMISSION LEVEL (dBuV/m) | LIMIT (dBuV/m) | MARGIN (dB) | ANTENNA HEIGHT (m) | TABLE ANGLE (Degree) | RAW VALUE (dBuV) | CORRECTION FACTOR (dB/m) |
|-----|----------------|-------------------------------|-------------------|----------------|--------------------------|----------------------------|------------------------|--------------------------------|
| 1 | *5200.00 | 102.7 PK | | | 1.34 H | 197 | 99.3 | 3.4 |
| 2 | *5200.00 | 93.1 AV | | | 1.34 H | 197 | 89.7 | 3.4 |
| 3 | #10400.00 | 47.1 PK | 68.2 | -21.1 | 2.46 H | 225 | 33.5 | 13.6 |
| 4 | 15600.00 | 47.0 PK | 74.0 | -27.0 | 1.77 H | 352 | 33.2 | 13.8 |
| 5 | 15600.00 | 35.2 AV | 54.0 | -18.8 | 1.77 H | 352 | 21.4 | 13.8 |

ANTENNA POLARITY & TEST DISTANCE: VERTICAL AT 3 M

| NO. | FREQ. (MHz) | EMISSION LEVEL (dBuV/m) | LIMIT (dBuV/m) | MARGIN (dB) | ANTENNA HEIGHT (m) | TABLE ANGLE (Degree) | RAW VALUE (dBuV) | CORRECTION FACTOR (dB/m) |
|-----|----------------|-------------------------------|-------------------|----------------|--------------------------|----------------------------|------------------------|--------------------------------|
| 1 | *5200.00 | 110.5 PK | | | 1.20 V | 53 | 107.1 | 3.4 |
| 2 | *5200.00 | 101.3 AV | | | 1.20 V | 53 | 97.9 | 3.4 |
| 3 | #10400.00 | 47.9 PK | 68.2 | -20.3 | 1.50 V | 360 | 34.3 | 13.6 |
| 4 | 15600.00 | 47.9 PK | 74.0 | -26.1 | 3.03 V | 0 | 34.1 | 13.8 |
| 5 | 15600.00 | 35.3 AV | 54.0 | -18.7 | 3.03 V | 0 | 21.5 | 13.8 |

REMARKS:

1. Emission Level(dBuV/m) = Raw Value(dBuV) + Correction Factor(dB/m)
2. Correction Factor(dB/m) = Antenna Factor(dB/m) + Cable Factor(dB) – Pre-Amplifier Factor(dB)
3. The other emission levels were very low against the limit.
4. Margin value = Emission Level – Limit value
5. " * ": Fundamental frequency.
6. " # ": The radiated frequency is out of the restricted band.

| | | | |
|------------------------|---------------|------------------------------|--------------|
| CHANNEL | TX Channel 48 | DETECTOR FUNCTION | Peak (PK) |
| FREQUENCY RANGE | 1GHz ~ 40GHz | | Average (AV) |

ANTENNA POLARITY & TEST DISTANCE: HORIZONTAL AT 3 M

| NO. | FREQ. (MHz) | EMISSION LEVEL (dBuV/m) | LIMIT (dBuV/m) | MARGIN (dB) | ANTENNA HEIGHT (m) | TABLE ANGLE (Degree) | RAW VALUE (dBuV) | CORRECTION FACTOR (dB/m) |
|-----|----------------|-------------------------------|-------------------|----------------|--------------------------|----------------------------|------------------------|--------------------------------|
| 1 | *5240.00 | 103.1 PK | | | 1.33 H | 211 | 99.8 | 3.3 |
| 2 | *5240.00 | 93.6 AV | | | 1.33 H | 211 | 90.3 | 3.3 |
| 3 | 5350.00 | 49.4 PK | 74.0 | -24.6 | 1.33 H | 211 | 46.0 | 3.4 |
| 4 | 5350.00 | 38.4 AV | 54.0 | -15.6 | 1.33 H | 211 | 35.0 | 3.4 |
| 5 | #10480.00 | 47.5 PK | 68.2 | -20.7 | 2.48 H | 209 | 33.7 | 13.8 |
| 6 | 15720.00 | 46.7 PK | 74.0 | -27.3 | 1.72 H | 336 | 32.9 | 13.8 |
| 7 | 15720.00 | 35.1 AV | 54.0 | -18.9 | 1.72 H | 336 | 21.3 | 13.8 |

ANTENNA POLARITY & TEST DISTANCE: VERTICAL AT 3 M

| NO. | FREQ. (MHz) | EMISSION LEVEL (dBuV/m) | LIMIT (dBuV/m) | MARGIN (dB) | ANTENNA HEIGHT (m) | TABLE ANGLE (Degree) | RAW VALUE (dBuV) | CORRECTION FACTOR (dB/m) |
|-----|----------------|-------------------------------|-------------------|----------------|--------------------------|----------------------------|------------------------|--------------------------------|
| 1 | *5240.00 | 111.1 PK | | | 1.21 V | 58 | 107.8 | 3.3 |
| 2 | *5240.00 | 101.1 AV | | | 1.21 V | 58 | 97.8 | 3.3 |
| 3 | 5350.00 | 51.3 PK | 74.0 | -22.7 | 1.21 V | 58 | 47.9 | 3.4 |
| 4 | 5350.00 | 40.7 AV | 54.0 | -13.3 | 1.21 V | 58 | 37.3 | 3.4 |
| 5 | #10480.00 | 47.5 PK | 68.2 | -20.7 | 1.51 V | 360 | 33.7 | 13.8 |
| 6 | 15720.00 | 47.8 PK | 74.0 | -26.2 | 3.08 V | 12 | 34.0 | 13.8 |
| 7 | 15720.00 | 35.2 AV | 54.0 | -18.8 | 3.08 V | 12 | 21.4 | 13.8 |

REMARKS:

1. Emission Level(dBuV/m) = Raw Value(dBuV) + Correction Factor(dB/m)
2. Correction Factor(dB/m) = Antenna Factor(dB/m) + Cable Factor(dB) – Pre-Amplifier Factor(dB)
3. The other emission levels were very low against the limit.
4. Margin value = Emission Level – Limit value
5. " * ": Fundamental frequency.
6. " # ": The radiated frequency is out of the restricted band.

| | | | |
|------------------------|---------------|------------------------------|--------------|
| CHANNEL | TX Channel 52 | DETECTOR FUNCTION | Peak (PK) |
| FREQUENCY RANGE | 1GHz ~ 40GHz | | Average (AV) |

ANTENNA POLARITY & TEST DISTANCE: HORIZONTAL AT 3 M

| NO. | FREQ. (MHz) | EMISSION LEVEL (dBuV/m) | LIMIT (dBuV/m) | MARGIN (dB) | ANTENNA HEIGHT (m) | TABLE ANGLE (Degree) | RAW VALUE (dBuV) | CORRECTION FACTOR (dB/m) |
|-----|----------------|-------------------------------|-------------------|----------------|--------------------------|----------------------------|------------------------|--------------------------------|
| 1 | 5150.00 | 48.9 PK | 74.0 | -25.1 | 1.36 H | 197 | 45.5 | 3.4 |
| 2 | 5150.00 | 37.7 AV | 54.0 | -16.3 | 1.36 H | 197 | 34.3 | 3.4 |
| 3 | *5260.00 | 101.8 PK | | | 1.36 H | 197 | 98.6 | 3.2 |
| 4 | *5260.00 | 93.1 AV | | | 1.36 H | 197 | 89.9 | 3.2 |
| 5 | #10520.00 | 47.1 PK | 68.2 | -21.1 | 2.48 H | 217 | 33.2 | 13.9 |
| 6 | 15780.00 | 46.4 PK | 74.0 | -27.6 | 1.73 H | 338 | 32.7 | 13.7 |
| 7 | 15780.00 | 35.1 AV | 54.0 | -18.9 | 1.73 H | 338 | 21.4 | 13.7 |

ANTENNA POLARITY & TEST DISTANCE: VERTICAL AT 3 M

| NO. | FREQ. (MHz) | EMISSION LEVEL (dBuV/m) | LIMIT (dBuV/m) | MARGIN (dB) | ANTENNA HEIGHT (m) | TABLE ANGLE (Degree) | RAW VALUE (dBuV) | CORRECTION FACTOR (dB/m) |
|-----|----------------|-------------------------------|-------------------|----------------|--------------------------|----------------------------|------------------------|--------------------------------|
| 1 | 5150.00 | 49.5 PK | 74.0 | -24.5 | 1.20 V | 58 | 46.1 | 3.4 |
| 2 | 5150.00 | 38.5 AV | 54.0 | -15.5 | 1.20 V | 58 | 35.1 | 3.4 |
| 3 | *5260.00 | 110.3 PK | | | 1.20 V | 58 | 107.1 | 3.2 |
| 4 | *5260.00 | 101.3 AV | | | 1.20 V | 58 | 98.1 | 3.2 |
| 5 | #10520.00 | 48.0 PK | 68.2 | -20.2 | 1.51 V | 360 | 34.1 | 13.9 |
| 6 | 15780.00 | 47.3 PK | 74.0 | -26.7 | 3.03 V | 22 | 33.6 | 13.7 |
| 7 | 15780.00 | 34.9 AV | 54.0 | -19.1 | 3.03 V | 22 | 21.2 | 13.7 |

REMARKS:

1. Emission Level(dBuV/m) = Raw Value(dBuV) + Correction Factor(dB/m)
2. Correction Factor(dB/m) = Antenna Factor(dB/m) + Cable Factor(dB) – Pre-Amplifier Factor(dB)
3. The other emission levels were very low against the limit.
4. Margin value = Emission Level – Limit value
5. " * ": Fundamental frequency.
6. " # ": The radiated frequency is out of the restricted band.

| | | | |
|------------------------|---------------|------------------------------|--------------|
| CHANNEL | TX Channel 60 | DETECTOR FUNCTION | Peak (PK) |
| FREQUENCY RANGE | 1GHz ~ 40GHz | | Average (AV) |

ANTENNA POLARITY & TEST DISTANCE: HORIZONTAL AT 3 M

| NO. | FREQ. (MHz) | EMISSION LEVEL (dBuV/m) | LIMIT (dBuV/m) | MARGIN (dB) | ANTENNA HEIGHT (m) | TABLE ANGLE (Degree) | RAW VALUE (dBuV) | CORRECTION FACTOR (dB/m) |
|-----|----------------|-------------------------------|-------------------|----------------|--------------------------|----------------------------|------------------------|--------------------------------|
| 1 | *5300.00 | 101.7 PK | | | 1.38 H | 192 | 98.4 | 3.3 |
| 2 | *5300.00 | 92.7 AV | | | 1.38 H | 192 | 89.4 | 3.3 |
| 3 | 10600.00 | 47.6 PK | 74.0 | -26.4 | 2.42 H | 228 | 34.1 | 13.5 |
| 4 | 10600.00 | 36.2 AV | 54.0 | -17.8 | 2.42 H | 228 | 22.7 | 13.5 |
| 5 | 15900.00 | 46.6 PK | 74.0 | -27.4 | 1.76 H | 352 | 33.3 | 13.3 |
| 6 | 15900.00 | 35.1 AV | 54.0 | -18.9 | 1.76 H | 352 | 21.8 | 13.3 |

ANTENNA POLARITY & TEST DISTANCE: VERTICAL AT 3 M

| NO. | FREQ. (MHz) | EMISSION LEVEL (dBuV/m) | LIMIT (dBuV/m) | MARGIN (dB) | ANTENNA HEIGHT (m) | TABLE ANGLE (Degree) | RAW VALUE (dBuV) | CORRECTION FACTOR (dB/m) |
|-----|----------------|-------------------------------|-------------------|----------------|--------------------------|----------------------------|------------------------|--------------------------------|
| 1 | *5300.00 | 110.6 PK | | | 1.25 V | 65 | 107.3 | 3.3 |
| 2 | *5300.00 | 101.7 AV | | | 1.25 V | 65 | 98.4 | 3.3 |
| 3 | 10600.00 | 47.4 PK | 74.0 | -26.6 | 1.48 V | 360 | 33.9 | 13.5 |
| 4 | 10600.00 | 33.2 AV | 54.0 | -20.8 | 1.48 V | 360 | 19.7 | 13.5 |
| 5 | 15900.00 | 47.9 PK | 74.0 | -26.1 | 3.06 V | 12 | 34.6 | 13.3 |
| 6 | 15900.00 | 35.4 AV | 54.0 | -18.6 | 3.06 V | 12 | 22.1 | 13.3 |

REMARKS:

1. Emission Level(dBuV/m) = Raw Value(dBuV) + Correction Factor(dB/m)
2. Correction Factor(dB/m) = Antenna Factor(dB/m) + Cable Factor(dB) – Pre-Amplifier Factor(dB)
3. The other emission levels were very low against the limit.
4. Margin value = Emission Level – Limit value
5. " * ": Fundamental frequency.

| | | | |
|------------------------|---------------|------------------------------|--------------|
| CHANNEL | TX Channel 64 | DETECTOR FUNCTION | Peak (PK) |
| FREQUENCY RANGE | 1GHz ~ 40GHz | | Average (AV) |

ANTENNA POLARITY & TEST DISTANCE: HORIZONTAL AT 3 M

| NO. | FREQ. (MHz) | EMISSION LEVEL (dBuV/m) | LIMIT (dBuV/m) | MARGIN (dB) | ANTENNA HEIGHT (m) | TABLE ANGLE (Degree) | RAW VALUE (dBuV) | CORRECTION FACTOR (dB/m) |
|-----|----------------|-------------------------------|-------------------|----------------|--------------------------|----------------------------|------------------------|--------------------------------|
| 1 | *5320.00 | 102.4 PK | | | 1.33 H | 186 | 99.1 | 3.3 |
| 2 | *5320.00 | 93.6 AV | | | 1.33 H | 186 | 90.3 | 3.3 |
| 3 | 5350.00 | 57.1 PK | 74.0 | -16.9 | 1.33 H | 186 | 53.7 | 3.4 |
| 4 | 5350.00 | 41.7 AV | 54.0 | -12.3 | 1.33 H | 186 | 38.3 | 3.4 |
| 5 | 10640.00 | 47.2 PK | 74.0 | -26.8 | 2.38 H | 219 | 33.5 | 13.7 |
| 6 | 10640.00 | 35.7 AV | 54.0 | -18.3 | 2.38 H | 219 | 22.0 | 13.7 |
| 7 | 15960.00 | 46.0 PK | 74.0 | -28.0 | 1.80 H | 360 | 32.4 | 13.6 |
| 8 | 15960.00 | 34.7 AV | 54.0 | -19.3 | 1.80 H | 360 | 21.1 | 13.6 |

ANTENNA POLARITY & TEST DISTANCE: VERTICAL AT 3 M

| NO. | FREQ. (MHz) | EMISSION LEVEL (dBuV/m) | LIMIT (dBuV/m) | MARGIN (dB) | ANTENNA HEIGHT (m) | TABLE ANGLE (Degree) | RAW VALUE (dBuV) | CORRECTION FACTOR (dB/m) |
|-----|----------------|-------------------------------|-------------------|----------------|--------------------------|----------------------------|------------------------|--------------------------------|
| 1 | *5320.00 | 110.9 PK | | | 1.88 V | 39 | 107.6 | 3.3 |
| 2 | *5320.00 | 101.1 AV | | | 1.88 V | 39 | 97.8 | 3.3 |
| 3 | 5350.00 | 68.3 PK | 74.0 | -5.7 | 1.88 V | 39 | 64.9 | 3.4 |
| 4 | 5350.00 | 52.4 AV | 54.0 | -1.6 | 1.88 V | 39 | 49.0 | 3.4 |
| 5 | 10640.00 | 47.9 PK | 74.0 | -26.1 | 1.44 V | 360 | 34.2 | 13.7 |
| 6 | 10640.00 | 33.7 AV | 54.0 | -20.3 | 1.44 V | 360 | 20.0 | 13.7 |
| 7 | 15960.00 | 47.9 PK | 74.0 | -26.1 | 3.02 V | 19 | 34.3 | 13.6 |
| 8 | 15960.00 | 35.6 AV | 54.0 | -18.4 | 3.02 V | 19 | 22.0 | 13.6 |

REMARKS:

1. Emission Level(dBuV/m) = Raw Value(dBuV) + Correction Factor(dB/m)
2. Correction Factor(dB/m) = Antenna Factor(dB/m) + Cable Factor(dB) – Pre-Amplifier Factor(dB)
3. The other emission levels were very low against the limit.
4. Margin value = Emission Level – Limit value
5. " * ": Fundamental frequency.

| | | | |
|------------------------|----------------|------------------------------|--------------|
| CHANNEL | TX Channel 100 | DETECTOR FUNCTION | Peak (PK) |
| FREQUENCY RANGE | 1GHz ~ 40GHz | | Average (AV) |

ANTENNA POLARITY & TEST DISTANCE: HORIZONTAL AT 3 M

| NO. | FREQ. (MHz) | EMISSION LEVEL (dBuV/m) | LIMIT (dBuV/m) | MARGIN (dB) | ANTENNA HEIGHT (m) | TABLE ANGLE (Degree) | RAW VALUE (dBuV) | CORRECTION FACTOR (dB/m) |
|-----|----------------|-------------------------------|-------------------|----------------|--------------------------|----------------------------|------------------------|--------------------------------|
| 1 | 5460.00 | 50.1 PK | 74.0 | -23.9 | 1.32 H | 199 | 46.5 | 3.6 |
| 2 | 5460.00 | 38.1 AV | 54.0 | -15.9 | 1.32 H | 199 | 34.5 | 3.6 |
| 3 | #5470.00 | 54.4 PK | 68.2 | -13.8 | 1.32 H | 199 | 50.8 | 3.6 |
| 4 | *5500.00 | 101.3 PK | | | 1.32 H | 199 | 97.6 | 3.7 |
| 5 | *5500.00 | 91.6 AV | | | 1.32 H | 199 | 87.9 | 3.7 |
| 6 | 11000.00 | 47.3 PK | 74.0 | -26.7 | 2.37 H | 228 | 33.3 | 14.0 |
| 7 | 11000.00 | 35.9 AV | 54.0 | -18.1 | 2.37 H | 228 | 21.9 | 14.0 |
| 8 | #16500.00 | 45.8 PK | 68.2 | -22.4 | 1.81 H | 360 | 30.0 | 15.8 |

ANTENNA POLARITY & TEST DISTANCE: VERTICAL AT 3 M

| NO. | FREQ. (MHz) | EMISSION LEVEL (dBuV/m) | LIMIT (dBuV/m) | MARGIN (dB) | ANTENNA HEIGHT (m) | TABLE ANGLE (Degree) | RAW VALUE (dBuV) | CORRECTION FACTOR (dB/m) |
|-----|----------------|-------------------------------|-------------------|----------------|--------------------------|----------------------------|------------------------|--------------------------------|
| 1 | 5460.00 | 59.8 PK | 74.0 | -14.2 | 1.98 V | 71 | 56.2 | 3.6 |
| 2 | 5460.00 | 41.4 AV | 54.0 | -12.6 | 1.98 V | 71 | 37.8 | 3.6 |
| 3 | #5470.00 | 66.7 PK | 68.2 | -1.5 | 1.98 V | 71 | 63.1 | 3.6 |
| 4 | *5500.00 | 109.2 PK | | | 1.98 V | 71 | 105.5 | 3.7 |
| 5 | *5500.00 | 99.5 AV | | | 1.98 V | 71 | 95.8 | 3.7 |
| 6 | 11000.00 | 47.7 PK | 74.0 | -26.3 | 1.49 V | 360 | 33.7 | 14.0 |
| 7 | 11000.00 | 33.3 AV | 54.0 | -20.7 | 1.49 V | 360 | 19.3 | 14.0 |
| 8 | #16500.00 | 47.6 PK | 68.2 | -20.6 | 3.06 V | 32 | 31.8 | 15.8 |

REMARKS:

- Emission Level(dBuV/m) = Raw Value(dBuV) + Correction Factor(dB/m)
- Correction Factor(dB/m) = Antenna Factor(dB/m) + Cable Factor(dB) – Pre-Amplifier Factor(dB)
- The other emission levels were very low against the limit.
- Margin value = Emission Level – Limit value
- " * ": Fundamental frequency.
- " # ": The radiated frequency is out of the restricted band.

| | | | |
|------------------------|----------------|------------------------------|--------------|
| CHANNEL | TX Channel 116 | DETECTOR FUNCTION | Peak (PK) |
| FREQUENCY RANGE | 1GHz ~ 40GHz | | Average (AV) |

ANTENNA POLARITY & TEST DISTANCE: HORIZONTAL AT 3 M

| NO. | FREQ. (MHz) | EMISSION LEVEL (dBuV/m) | LIMIT (dBuV/m) | MARGIN (dB) | ANTENNA HEIGHT (m) | TABLE ANGLE (Degree) | RAW VALUE (dBuV) | CORRECTION FACTOR (dB/m) |
|-----|----------------|-------------------------------|-------------------|----------------|--------------------------|----------------------------|------------------------|--------------------------------|
| 1 | *5580.00 | 102.8 PK | | | 1.40 H | 178 | 99.0 | 3.8 |
| 2 | *5580.00 | 92.7 AV | | | 1.40 H | 178 | 88.9 | 3.8 |
| 3 | 11160.00 | 46.8 PK | 74.0 | -27.2 | 2.41 H | 233 | 33.1 | 13.7 |
| 4 | 11160.00 | 35.7 AV | 54.0 | -18.3 | 2.41 H | 233 | 22.0 | 13.7 |
| 5 | #16740.00 | 46.4 PK | 68.2 | -21.8 | 1.77 H | 359 | 29.4 | 17.0 |

ANTENNA POLARITY & TEST DISTANCE: VERTICAL AT 3 M

| NO. | FREQ. (MHz) | EMISSION LEVEL (dBuV/m) | LIMIT (dBuV/m) | MARGIN (dB) | ANTENNA HEIGHT (m) | TABLE ANGLE (Degree) | RAW VALUE (dBuV) | CORRECTION FACTOR (dB/m) |
|-----|----------------|-------------------------------|-------------------|----------------|--------------------------|----------------------------|------------------------|--------------------------------|
| 1 | *5580.00 | 113.2 PK | | | 2.02 V | 68 | 109.4 | 3.8 |
| 2 | *5580.00 | 103.0 AV | | | 2.02 V | 68 | 99.2 | 3.8 |
| 3 | 11160.00 | 47.9 PK | 74.0 | -26.1 | 1.46 V | 360 | 34.2 | 13.7 |
| 4 | 11160.00 | 33.9 AV | 54.0 | -20.1 | 1.46 V | 360 | 20.2 | 13.7 |
| 5 | #16740.00 | 48.0 PK | 68.2 | -20.2 | 3.06 V | 18 | 31.0 | 17.0 |

REMARKS:

1. Emission Level(dBuV/m) = Raw Value(dBuV) + Correction Factor(dB/m)
2. Correction Factor(dB/m) = Antenna Factor(dB/m) + Cable Factor(dB) – Pre-Amplifier Factor(dB)
3. The other emission levels were very low against the limit.
4. Margin value = Emission Level – Limit value
5. " * ": Fundamental frequency.
6. " # ": The radiated frequency is out of the restricted band.

| | | | |
|------------------------|----------------|------------------------------|--------------|
| CHANNEL | TX Channel 140 | DETECTOR FUNCTION | Peak (PK) |
| FREQUENCY RANGE | 1GHz ~ 40GHz | | Average (AV) |

ANTENNA POLARITY & TEST DISTANCE: HORIZONTAL AT 3 M

| NO. | FREQ. (MHz) | EMISSION LEVEL (dBuV/m) | LIMIT (dBuV/m) | MARGIN (dB) | ANTENNA HEIGHT (m) | TABLE ANGLE (Degree) | RAW VALUE (dBuV) | CORRECTION FACTOR (dB/m) |
|-----|----------------|-------------------------------|-------------------|----------------|--------------------------|----------------------------|------------------------|--------------------------------|
| 1 | *5700.00 | 103.2 PK | | | 1.35 H | 190 | 99.0 | 4.2 |
| 2 | *5700.00 | 93.0 AV | | | 1.35 H | 190 | 88.8 | 4.2 |
| 3 | #5725.00 | 55.8 PK | 68.2 | -12.4 | 1.35 H | 190 | 51.6 | 4.2 |
| 4 | 11400.00 | 48.2 PK | 74.0 | -25.8 | 2.40 H | 220 | 33.9 | 14.3 |
| 5 | 11400.00 | 36.6 AV | 54.0 | -17.4 | 2.40 H | 220 | 22.3 | 14.3 |
| 6 | #17100.00 | 46.8 PK | 68.2 | -21.4 | 1.73 H | 348 | 29.1 | 17.7 |

ANTENNA POLARITY & TEST DISTANCE: VERTICAL AT 3 M

| NO. | FREQ. (MHz) | EMISSION LEVEL (dBuV/m) | LIMIT (dBuV/m) | MARGIN (dB) | ANTENNA HEIGHT (m) | TABLE ANGLE (Degree) | RAW VALUE (dBuV) | CORRECTION FACTOR (dB/m) |
|-----|----------------|-------------------------------|-------------------|----------------|--------------------------|----------------------------|------------------------|--------------------------------|
| 1 | *5700.00 | 111.4 PK | | | 1.97 V | 71 | 107.2 | 4.2 |
| 2 | *5700.00 | 101.4 AV | | | 1.97 V | 71 | 97.2 | 4.2 |
| 3 | #5725.00 | 66.7 PK | 68.2 | -1.5 | 1.97 V | 71 | 62.5 | 4.2 |
| 4 | 11400.00 | 48.5 PK | 74.0 | -25.5 | 1.48 V | 353 | 34.2 | 14.3 |
| 5 | 11400.00 | 34.2 AV | 54.0 | -19.8 | 1.48 V | 353 | 19.9 | 14.3 |
| 6 | #17100.00 | 47.5 PK | 68.2 | -20.7 | 3.05 V | 16 | 29.8 | 17.7 |

REMARKS:

1. Emission Level(dBuV/m) = Raw Value(dBuV) + Correction Factor(dB/m)
2. Correction Factor(dB/m) = Antenna Factor(dB/m) + Cable Factor(dB) – Pre-Amplifier Factor(dB)
3. The other emission levels were very low against the limit.
4. Margin value = Emission Level – Limit value
5. " * ": Fundamental frequency.
6. " # ": The radiated frequency is out of the restricted band.

| | | | |
|------------------------|----------------|------------------------------|--------------|
| CHANNEL | TX Channel 144 | DETECTOR FUNCTION | Peak (PK) |
| FREQUENCY RANGE | 1GHz ~ 40GHz | | Average (AV) |

ANTENNA POLARITY & TEST DISTANCE: HORIZONTAL AT 3 M

| NO. | FREQ. (MHz) | EMISSION LEVEL (dBuV/m) | LIMIT (dBuV/m) | MARGIN (dB) | ANTENNA HEIGHT (m) | TABLE ANGLE (Degree) | RAW VALUE (dBuV) | CORRECTION FACTOR (dB/m) |
|-----|----------------|-------------------------------|-------------------|----------------|--------------------------|----------------------------|------------------------|--------------------------------|
| 1 | 5460.00 | 50.2 PK | 74.0 | -23.8 | 1.34 H | 198 | 46.6 | 3.6 |
| 2 | 5460.00 | 37.7 AV | 54.0 | -16.3 | 1.34 H | 198 | 34.1 | 3.6 |
| 3 | #5470.00 | 49.6 PK | 68.2 | -18.6 | 1.34 H | 198 | 46.0 | 3.6 |
| 4 | *5720.00 | 104.4 PK | | | 1.34 H | 198 | 100.2 | 4.2 |
| 5 | *5720.00 | 95.3 AV | | | 1.34 H | 198 | 91.1 | 4.2 |
| 6 | #5850.00 | 50.4 PK | 68.2 | -17.8 | 1.34 H | 198 | 45.9 | 4.5 |
| 7 | 11440.00 | 47.6 PK | 74.0 | -26.4 | 2.46 H | 243 | 33.3 | 14.3 |
| 8 | 11440.00 | 36.2 AV | 54.0 | -17.8 | 2.46 H | 243 | 21.9 | 14.3 |
| 9 | #17160.00 | 46.4 PK | 68.2 | -21.8 | 1.75 H | 346 | 28.9 | 17.5 |

ANTENNA POLARITY & TEST DISTANCE: VERTICAL AT 3 M

| NO. | FREQ. (MHz) | EMISSION LEVEL (dBuV/m) | LIMIT (dBuV/m) | MARGIN (dB) | ANTENNA HEIGHT (m) | TABLE ANGLE (Degree) | RAW VALUE (dBuV) | CORRECTION FACTOR (dB/m) |
|-----|----------------|-------------------------------|-------------------|----------------|--------------------------|----------------------------|------------------------|--------------------------------|
| 1 | 5460.00 | 50.6 PK | 74.0 | -23.4 | 2.09 V | 72 | 47.0 | 3.6 |
| 2 | 5460.00 | 38.3 AV | 54.0 | -15.7 | 2.09 V | 72 | 34.7 | 3.6 |
| 3 | #5470.00 | 50.3 PK | 68.2 | -17.9 | 2.09 V | 72 | 46.7 | 3.6 |
| 4 | *5720.00 | 112.6 PK | | | 2.09 V | 72 | 108.4 | 4.2 |
| 5 | *5720.00 | 103.1 AV | | | 2.09 V | 72 | 98.9 | 4.2 |
| 6 | #5850.00 | 52.2 PK | 68.2 | -16.0 | 2.09 V | 72 | 47.7 | 4.5 |
| 7 | 11440.00 | 47.9 PK | 74.0 | -26.1 | 1.39 V | 359 | 33.6 | 14.3 |
| 8 | 11440.00 | 33.6 AV | 54.0 | -20.4 | 1.39 V | 359 | 19.3 | 14.3 |
| 9 | #17160.00 | 47.7 PK | 68.2 | -20.5 | 3.01 V | 18 | 30.2 | 17.5 |

REMARKS:

1. Emission Level(dBuV/m) = Raw Value(dBuV) + Correction Factor(dB/m)
2. Correction Factor(dB/m) = Antenna Factor(dB/m) + Cable Factor(dB) – Pre-Amplifier Factor(dB)
3. The other emission levels were very low against the limit.
4. Margin value = Emission Level – Limit value
5. " * ": Fundamental frequency.
6. " # ": The radiated frequency is out of the restricted band.

| | | | |
|------------------------|----------------|------------------------------|--------------|
| CHANNEL | TX Channel 149 | DETECTOR FUNCTION | Peak (PK) |
| FREQUENCY RANGE | 1GHz ~ 40GHz | | Average (AV) |

ANTENNA POLARITY & TEST DISTANCE: HORIZONTAL AT 3 M

| NO. | FREQ. (MHz) | EMISSION LEVEL (dBuV/m) | LIMIT (dBuV/m) | MARGIN (dB) | ANTENNA HEIGHT (m) | TABLE ANGLE (Degree) | RAW VALUE (dBuV) | CORRECTION FACTOR (dB/m) |
|-----|----------------|-------------------------------|-------------------|----------------|--------------------------|----------------------------|------------------------|--------------------------------|
| 1 | #5634.74 | 50.1 PK | 68.2 | -18.1 | 1.18 H | 59 | 46.3 | 3.8 |
| 2 | *5745.00 | 103.6 PK | | | 1.18 H | 59 | 99.4 | 4.2 |
| 3 | *5745.00 | 94.1 AV | | | 1.18 H | 59 | 89.9 | 4.2 |
| 4 | #5981.59 | 49.7 PK | 68.2 | -18.5 | 1.18 H | 59 | 45.2 | 4.5 |
| 5 | 11490.00 | 47.5 PK | 74.0 | -26.5 | 2.42 H | 215 | 33.2 | 14.3 |
| 6 | 11490.00 | 36.0 AV | 54.0 | -18.0 | 2.42 H | 215 | 21.7 | 14.3 |
| 7 | #17235.00 | 46.1 PK | 68.2 | -22.1 | 1.74 H | 341 | 28.8 | 17.3 |

ANTENNA POLARITY & TEST DISTANCE: VERTICAL AT 3 M

| NO. | FREQ. (MHz) | EMISSION LEVEL (dBuV/m) | LIMIT (dBuV/m) | MARGIN (dB) | ANTENNA HEIGHT (m) | TABLE ANGLE (Degree) | RAW VALUE (dBuV) | CORRECTION FACTOR (dB/m) |
|-----|----------------|-------------------------------|-------------------|----------------|--------------------------|----------------------------|------------------------|--------------------------------|
| 1 | #5602.90 | 47.5 PK | 68.2 | -20.7 | 2.06 V | 71 | 43.7 | 3.8 |
| 2 | *5745.00 | 112.7 PK | | | 2.06 V | 71 | 108.5 | 4.2 |
| 3 | *5745.00 | 102.8 AV | | | 2.06 V | 71 | 98.6 | 4.2 |
| 4 | #5969.52 | 47.2 PK | 68.2 | -21.0 | 2.06 V | 71 | 42.7 | 4.5 |
| 5 | 11490.00 | 47.8 PK | 74.0 | -26.2 | 1.49 V | 360 | 33.5 | 14.3 |
| 6 | 11490.00 | 33.6 AV | 54.0 | -20.4 | 1.49 V | 360 | 19.3 | 14.3 |
| 7 | #17235.00 | 48.5 PK | 68.2 | -19.7 | 3.02 V | 10 | 31.2 | 17.3 |

REMARKS:

1. Emission Level(dBuV/m) = Raw Value(dBuV) + Correction Factor(dB/m)
2. Correction Factor(dB/m) = Antenna Factor(dB/m) + Cable Factor(dB) – Pre-Amplifier Factor(dB)
3. The other emission levels were very low against the limit.
4. Margin value = Emission Level – Limit value
5. " * ": Fundamental frequency.
6. " # ": The radiated frequency is out of the restricted band.

| | | | |
|------------------------|----------------|------------------------------|--------------|
| CHANNEL | TX Channel 157 | DETECTOR FUNCTION | Peak (PK) |
| FREQUENCY RANGE | 1GHz ~ 40GHz | | Average (AV) |

ANTENNA POLARITY & TEST DISTANCE: HORIZONTAL AT 3 M

| NO. | FREQ. (MHz) | EMISSION LEVEL (dBuV/m) | LIMIT (dBuV/m) | MARGIN (dB) | ANTENNA HEIGHT (m) | TABLE ANGLE (Degree) | RAW VALUE (dBuV) | CORRECTION FACTOR (dB/m) |
|-----|----------------|-------------------------------|-------------------|----------------|--------------------------|----------------------------|------------------------|--------------------------------|
| 1 | #5622.79 | 49.3 PK | 68.2 | -18.9 | 1.17 H | 55 | 45.5 | 3.8 |
| 2 | *5785.00 | 104.4 PK | | | 1.17 H | 55 | 100.1 | 4.3 |
| 3 | *5785.00 | 94.4 AV | | | 1.17 H | 55 | 90.1 | 4.3 |
| 4 | #5952.43 | 50.7 PK | 68.2 | -17.5 | 1.17 H | 55 | 46.2 | 4.5 |
| 5 | 11570.00 | 47.1 PK | 74.0 | -26.9 | 2.44 H | 232 | 33.0 | 14.1 |
| 6 | 11570.00 | 36.0 AV | 54.0 | -18.0 | 2.44 H | 232 | 21.9 | 14.1 |
| 7 | #17355.00 | 46.9 PK | 68.2 | -21.3 | 1.76 H | 360 | 29.3 | 17.6 |

ANTENNA POLARITY & TEST DISTANCE: VERTICAL AT 3 M

| NO. | FREQ. (MHz) | EMISSION LEVEL (dBuV/m) | LIMIT (dBuV/m) | MARGIN (dB) | ANTENNA HEIGHT (m) | TABLE ANGLE (Degree) | RAW VALUE (dBuV) | CORRECTION FACTOR (dB/m) |
|-----|----------------|-------------------------------|-------------------|----------------|--------------------------|----------------------------|------------------------|--------------------------------|
| 1 | #5620.02 | 54.4 PK | 68.2 | -13.8 | 2.08 V | 68 | 50.6 | 3.8 |
| 2 | *5785.00 | 112.2 PK | | | 2.08 V | 68 | 107.9 | 4.3 |
| 3 | *5785.00 | 102.4 AV | | | 2.08 V | 68 | 98.1 | 4.3 |
| 4 | #5941.49 | 53.1 PK | 68.2 | -15.1 | 2.08 V | 68 | 48.7 | 4.4 |
| 5 | 11570.00 | 48.7 PK | 74.0 | -25.3 | 1.45 V | 360 | 34.6 | 14.1 |
| 6 | 11570.00 | 34.2 AV | 54.0 | -19.8 | 1.45 V | 360 | 20.1 | 14.1 |
| 7 | #17355.00 | 48.3 PK | 68.2 | -19.9 | 3.07 V | 11 | 30.7 | 17.6 |

REMARKS:

1. Emission Level(dBuV/m) = Raw Value(dBuV) + Correction Factor(dB/m)
2. Correction Factor(dB/m) = Antenna Factor(dB/m) + Cable Factor(dB) – Pre-Amplifier Factor(dB)
3. The other emission levels were very low against the limit.
4. Margin value = Emission Level – Limit value
5. " * ": Fundamental frequency.
6. " # ": The radiated frequency is out of the restricted band.

| | | | |
|------------------------|----------------|------------------------------|--------------|
| CHANNEL | TX Channel 165 | DETECTOR FUNCTION | Peak (PK) |
| FREQUENCY RANGE | 1GHz ~ 40GHz | | Average (AV) |

ANTENNA POLARITY & TEST DISTANCE: HORIZONTAL AT 3 M

| NO. | FREQ. (MHz) | EMISSION LEVEL (dBuV/m) | LIMIT (dBuV/m) | MARGIN (dB) | ANTENNA HEIGHT (m) | TABLE ANGLE (Degree) | RAW VALUE (dBuV) | CORRECTION FACTOR (dB/m) |
|-----|----------------|-------------------------------|-------------------|----------------|--------------------------|----------------------------|------------------------|--------------------------------|
| 1 | #5642.41 | 49.0 PK | 68.2 | -19.2 | 1.19 H | 55 | 45.1 | 3.9 |
| 2 | *5825.00 | 104.1 PK | | | 1.19 H | 55 | 99.6 | 4.5 |
| 3 | *5825.00 | 94.3 AV | | | 1.19 H | 55 | 89.8 | 4.5 |
| 4 | #5986.20 | 51.0 PK | 68.2 | -17.2 | 1.19 H | 55 | 46.5 | 4.5 |
| 5 | 11650.00 | 47.5 PK | 74.0 | -26.5 | 2.42 H | 218 | 33.6 | 13.9 |
| 6 | 11650.00 | 36.4 AV | 54.0 | -17.6 | 2.42 H | 218 | 22.5 | 13.9 |
| 7 | #17475.00 | 46.8 PK | 68.2 | -21.4 | 1.82 H | 355 | 28.0 | 18.8 |

ANTENNA POLARITY & TEST DISTANCE: VERTICAL AT 3 M

| NO. | FREQ. (MHz) | EMISSION LEVEL (dBuV/m) | LIMIT (dBuV/m) | MARGIN (dB) | ANTENNA HEIGHT (m) | TABLE ANGLE (Degree) | RAW VALUE (dBuV) | CORRECTION FACTOR (dB/m) |
|-----|----------------|-------------------------------|-------------------|----------------|--------------------------|----------------------------|------------------------|--------------------------------|
| 1 | #5647.15 | 51.2 PK | 68.2 | -17.0 | 2.00 V | 61 | 47.3 | 3.9 |
| 2 | *5825.00 | 112.4 PK | | | 2.00 V | 61 | 107.9 | 4.5 |
| 3 | *5825.00 | 102.5 AV | | | 2.00 V | 61 | 98.0 | 4.5 |
| 4 | #5982.44 | 54.2 PK | 68.2 | -14.0 | 2.00 V | 61 | 49.7 | 4.5 |
| 5 | 11650.00 | 47.7 PK | 74.0 | -26.3 | 1.46 V | 360 | 33.8 | 13.9 |
| 6 | 11650.00 | 33.4 AV | 54.0 | -20.6 | 1.46 V | 360 | 19.5 | 13.9 |
| 7 | #17475.00 | 47.5 PK | 68.2 | -20.7 | 3.00 V | 29 | 28.7 | 18.8 |

REMARKS:

1. Emission Level(dBuV/m) = Raw Value(dBuV) + Correction Factor(dB/m)
2. Correction Factor(dB/m) = Antenna Factor(dB/m) + Cable Factor(dB) – Pre-Amplifier Factor(dB)
3. The other emission levels were very low against the limit.
4. Margin value = Emission Level – Limit value
5. " * ": Fundamental frequency.
6. " # ": The radiated frequency is out of the restricted band.

802.11ac (VHT20)

| | | | |
|------------------------|---------------|------------------------------|--------------|
| CHANNEL | TX Channel 36 | DETECTOR FUNCTION | Peak (PK) |
| FREQUENCY RANGE | 1GHz ~ 40GHz | | Average (AV) |

| ANTENNA POLARITY & TEST DISTANCE: HORIZONTAL AT 3 M | | | | | | | | |
|---|----------------|-------------------------------|-------------------|----------------|--------------------------|----------------------------|------------------------|--------------------------------|
| NO. | FREQ. (MHz) | EMISSION LEVEL (dBuV/m) | LIMIT (dBuV/m) | MARGIN (dB) | ANTENNA HEIGHT (m) | TABLE ANGLE (Degree) | RAW VALUE (dBuV) | CORRECTION FACTOR (dB/m) |
| 1 | 5150.00 | 49.8 PK | 74.0 | -24.2 | 1.35 H | 156 | 46.4 | 3.4 |
| 2 | 5150.00 | 39.0 AV | 54.0 | -15.0 | 1.35 H | 156 | 35.6 | 3.4 |
| 3 | *5180.00 | 103.3 PK | | | 1.35 H | 156 | 99.9 | 3.4 |
| 4 | *5180.00 | 94.4 AV | | | 1.35 H | 156 | 91.0 | 3.4 |
| 5 | #10360.00 | 47.7 PK | 68.2 | -20.5 | 2.48 H | 231 | 34.2 | 13.5 |
| 6 | 15540.00 | 45.8 PK | 74.0 | -28.2 | 1.70 H | 360 | 32.0 | 13.8 |
| 7 | 15540.00 | 34.5 AV | 54.0 | -19.5 | 1.70 H | 360 | 20.7 | 13.8 |

| ANTENNA POLARITY & TEST DISTANCE: VERTICAL AT 3 M | | | | | | | | |
|---|----------------|-------------------------------|-------------------|----------------|--------------------------|----------------------------|------------------------|--------------------------------|
| NO. | FREQ. (MHz) | EMISSION LEVEL (dBuV/m) | LIMIT (dBuV/m) | MARGIN (dB) | ANTENNA HEIGHT (m) | TABLE ANGLE (Degree) | RAW VALUE (dBuV) | CORRECTION FACTOR (dB/m) |
| 1 | 5150.00 | 64.8 PK | 74.0 | -9.2 | 2.17 V | 70 | 61.4 | 3.4 |
| 2 | 5150.00 | 49.5 AV | 54.0 | -4.5 | 2.17 V | 70 | 46.1 | 3.4 |
| 3 | *5180.00 | 110.0 PK | | | 2.17 V | 70 | 106.6 | 3.4 |
| 4 | *5180.00 | 100.7 AV | | | 2.17 V | 70 | 97.3 | 3.4 |
| 5 | #10360.00 | 47.4 PK | 68.2 | -20.8 | 1.45 V | 360 | 33.9 | 13.5 |
| 6 | 15540.00 | 48.0 PK | 74.0 | -26.0 | 3.02 V | 20 | 34.2 | 13.8 |
| 7 | 15540.00 | 35.5 AV | 54.0 | -18.5 | 3.02 V | 20 | 21.7 | 13.8 |

REMARKS:

1. Emission Level(dBuV/m) = Raw Value(dBuV) + Correction Factor(dB/m)
2. Correction Factor(dB/m) = Antenna Factor(dB/m) + Cable Factor(dB) – Pre-Amplifier Factor(dB)
3. The other emission levels were very low against the limit.
4. Margin value = Emission Level – Limit value
5. " * ": Fundamental frequency.
6. " # ": The radiated frequency is out of the restricted band.

| | | | |
|------------------------|---------------|------------------------------|--------------|
| CHANNEL | TX Channel 40 | DETECTOR FUNCTION | Peak (PK) |
| FREQUENCY RANGE | 1GHz ~ 40GHz | | Average (AV) |

ANTENNA POLARITY & TEST DISTANCE: HORIZONTAL AT 3 M

| NO. | FREQ. (MHz) | EMISSION LEVEL (dBuV/m) | LIMIT (dBuV/m) | MARGIN (dB) | ANTENNA HEIGHT (m) | TABLE ANGLE (Degree) | RAW VALUE (dBuV) | CORRECTION FACTOR (dB/m) |
|-----|----------------|-------------------------------|-------------------|----------------|--------------------------|----------------------------|------------------------|--------------------------------|
| 1 | *5200.00 | 104.3 PK | | | 1.36 H | 150 | 100.9 | 3.4 |
| 2 | *5200.00 | 95.3 AV | | | 1.36 H | 150 | 91.9 | 3.4 |
| 3 | #10400.00 | 47.2 PK | 68.2 | -21.0 | 2.46 H | 231 | 33.6 | 13.6 |
| 4 | 15600.00 | 46.3 PK | 74.0 | -27.7 | 1.72 H | 360 | 32.5 | 13.8 |
| 5 | 15600.00 | 34.5 AV | 54.0 | -19.5 | 1.72 H | 360 | 20.7 | 13.8 |

ANTENNA POLARITY & TEST DISTANCE: VERTICAL AT 3 M

| NO. | FREQ. (MHz) | EMISSION LEVEL (dBuV/m) | LIMIT (dBuV/m) | MARGIN (dB) | ANTENNA HEIGHT (m) | TABLE ANGLE (Degree) | RAW VALUE (dBuV) | CORRECTION FACTOR (dB/m) |
|-----|----------------|-------------------------------|-------------------|----------------|--------------------------|----------------------------|------------------------|--------------------------------|
| 1 | *5200.00 | 110.6 PK | | | 2.05 V | 69 | 107.2 | 3.4 |
| 2 | *5200.00 | 101.6 AV | | | 2.05 V | 69 | 98.2 | 3.4 |
| 3 | #10400.00 | 48.2 PK | 68.2 | -20.0 | 1.41 V | 360 | 34.6 | 13.6 |
| 4 | 15600.00 | 47.2 PK | 74.0 | -26.8 | 2.96 V | 9 | 33.4 | 13.8 |
| 5 | 15600.00 | 34.8 AV | 54.0 | -19.2 | 2.96 V | 9 | 21.0 | 13.8 |

REMARKS:

1. Emission Level(dBuV/m) = Raw Value(dBuV) + Correction Factor(dB/m)
2. Correction Factor(dB/m) = Antenna Factor(dB/m) + Cable Factor(dB) – Pre-Amplifier Factor(dB)
3. The other emission levels were very low against the limit.
4. Margin value = Emission Level – Limit value
5. " * ": Fundamental frequency.
6. " # ": The radiated frequency is out of the restricted band.

| | | | |
|------------------------|---------------|------------------------------|--------------|
| CHANNEL | TX Channel 48 | DETECTOR FUNCTION | Peak (PK) |
| FREQUENCY RANGE | 1GHz ~ 40GHz | | Average (AV) |

ANTENNA POLARITY & TEST DISTANCE: HORIZONTAL AT 3 M

| NO. | FREQ. (MHz) | EMISSION LEVEL (dBuV/m) | LIMIT (dBuV/m) | MARGIN (dB) | ANTENNA HEIGHT (m) | TABLE ANGLE (Degree) | RAW VALUE (dBuV) | CORRECTION FACTOR (dB/m) |
|-----|----------------|-------------------------------|-------------------|----------------|--------------------------|----------------------------|------------------------|--------------------------------|
| 1 | *5240.00 | 104.9 PK | | | 1.31 H | 171 | 101.6 | 3.3 |
| 2 | *5240.00 | 95.6 AV | | | 1.31 H | 171 | 92.3 | 3.3 |
| 3 | 5350.00 | 48.6 PK | 74.0 | -25.4 | 1.31 H | 171 | 45.2 | 3.4 |
| 4 | 5350.00 | 36.4 AV | 54.0 | -17.6 | 1.31 H | 171 | 33.0 | 3.4 |
| 5 | #10480.00 | 47.3 PK | 68.2 | -20.9 | 2.48 H | 234 | 33.5 | 13.8 |
| 6 | 15720.00 | 46.3 PK | 74.0 | -27.7 | 1.75 H | 360 | 32.5 | 13.8 |
| 7 | 15720.00 | 34.9 AV | 54.0 | -19.1 | 1.75 H | 360 | 21.1 | 13.8 |

ANTENNA POLARITY & TEST DISTANCE: VERTICAL AT 3 M

| NO. | FREQ. (MHz) | EMISSION LEVEL (dBuV/m) | LIMIT (dBuV/m) | MARGIN (dB) | ANTENNA HEIGHT (m) | TABLE ANGLE (Degree) | RAW VALUE (dBuV) | CORRECTION FACTOR (dB/m) |
|-----|----------------|-------------------------------|-------------------|----------------|--------------------------|----------------------------|------------------------|--------------------------------|
| 1 | *5240.00 | 111.8 PK | | | 2.01 V | 68 | 108.5 | 3.3 |
| 2 | *5240.00 | 102.4 AV | | | 2.01 V | 68 | 99.1 | 3.3 |
| 3 | 5350.00 | 53.2 PK | 74.0 | -20.8 | 2.01 V | 68 | 49.8 | 3.4 |
| 4 | 5350.00 | 41.4 AV | 54.0 | -12.6 | 2.01 V | 68 | 38.0 | 3.4 |
| 5 | #10480.00 | 47.8 PK | 68.2 | -20.4 | 1.39 V | 349 | 34.0 | 13.8 |
| 6 | 15720.00 | 47.5 PK | 74.0 | -26.5 | 3.05 V | 16 | 33.7 | 13.8 |
| 7 | 15720.00 | 35.2 AV | 54.0 | -18.8 | 3.05 V | 16 | 21.4 | 13.8 |

REMARKS:

1. Emission Level(dBuV/m) = Raw Value(dBuV) + Correction Factor(dB/m)
2. Correction Factor(dB/m) = Antenna Factor(dB/m) + Cable Factor(dB) – Pre-Amplifier Factor(dB)
3. The other emission levels were very low against the limit.
4. Margin value = Emission Level – Limit value
5. " * ": Fundamental frequency.
6. " # ": The radiated frequency is out of the restricted band.

| | | | |
|------------------------|---------------|------------------------------|--------------|
| CHANNEL | TX Channel 52 | DETECTOR FUNCTION | Peak (PK) |
| FREQUENCY RANGE | 1GHz ~ 40GHz | | Average (AV) |

ANTENNA POLARITY & TEST DISTANCE: HORIZONTAL AT 3 M

| NO. | FREQ. (MHz) | EMISSION LEVEL (dBuV/m) | LIMIT (dBuV/m) | MARGIN (dB) | ANTENNA HEIGHT (m) | TABLE ANGLE (Degree) | RAW VALUE (dBuV) | CORRECTION FACTOR (dB/m) |
|-----|----------------|-------------------------------|-------------------|----------------|--------------------------|----------------------------|------------------------|--------------------------------|
| 1 | 5150.00 | 48.2 PK | 74.0 | -25.8 | 1.29 H | 179 | 44.8 | 3.4 |
| 2 | 5150.00 | 36.3 AV | 54.0 | -17.7 | 1.29 H | 179 | 32.9 | 3.4 |
| 3 | *5260.00 | 105.2 PK | | | 1.29 H | 179 | 102.0 | 3.2 |
| 4 | *5260.00 | 95.4 AV | | | 1.29 H | 179 | 92.2 | 3.2 |
| 5 | #10520.00 | 47.5 PK | 68.2 | -20.7 | 2.46 H | 233 | 33.6 | 13.9 |
| 6 | 15780.00 | 46.9 PK | 74.0 | -27.1 | 1.76 H | 360 | 33.2 | 13.7 |
| 7 | 15780.00 | 35.3 AV | 54.0 | -18.7 | 1.76 H | 360 | 21.6 | 13.7 |

ANTENNA POLARITY & TEST DISTANCE: VERTICAL AT 3 M

| NO. | FREQ. (MHz) | EMISSION LEVEL (dBuV/m) | LIMIT (dBuV/m) | MARGIN (dB) | ANTENNA HEIGHT (m) | TABLE ANGLE (Degree) | RAW VALUE (dBuV) | CORRECTION FACTOR (dB/m) |
|-----|----------------|-------------------------------|-------------------|----------------|--------------------------|----------------------------|------------------------|--------------------------------|
| 1 | 5150.00 | 50.0 PK | 74.0 | -24.0 | 2.03 V | 67 | 46.6 | 3.4 |
| 2 | 5150.00 | 39.7 AV | 54.0 | -14.3 | 2.03 V | 67 | 36.3 | 3.4 |
| 3 | *5260.00 | 112.0 PK | | | 2.03 V | 67 | 108.8 | 3.2 |
| 4 | *5260.00 | 102.5 AV | | | 2.03 V | 67 | 99.3 | 3.2 |
| 5 | #10520.00 | 48.1 PK | 68.2 | -20.1 | 1.35 V | 344 | 34.2 | 13.9 |
| 6 | 15780.00 | 48.4 PK | 74.0 | -25.6 | 3.03 V | 5 | 34.7 | 13.7 |
| 7 | 15780.00 | 35.7 AV | 54.0 | -18.3 | 3.03 V | 5 | 22.0 | 13.7 |

REMARKS:

1. Emission Level(dBuV/m) = Raw Value(dBuV) + Correction Factor(dB/m)
2. Correction Factor(dB/m) = Antenna Factor(dB/m) + Cable Factor(dB) – Pre-Amplifier Factor(dB)
3. The other emission levels were very low against the limit.
4. Margin value = Emission Level – Limit value
5. " * ": Fundamental frequency.
6. " # ": The radiated frequency is out of the restricted band.

| | | | |
|------------------------|---------------|------------------------------|--------------|
| CHANNEL | TX Channel 60 | DETECTOR FUNCTION | Peak (PK) |
| FREQUENCY RANGE | 1GHz ~ 40GHz | | Average (AV) |

ANTENNA POLARITY & TEST DISTANCE: HORIZONTAL AT 3 M

| NO. | FREQ. (MHz) | EMISSION LEVEL (dBuV/m) | LIMIT (dBuV/m) | MARGIN (dB) | ANTENNA HEIGHT (m) | TABLE ANGLE (Degree) | RAW VALUE (dBuV) | CORRECTION FACTOR (dB/m) |
|-----|----------------|-------------------------------|-------------------|----------------|--------------------------|----------------------------|------------------------|--------------------------------|
| 1 | *5300.00 | 105.5 PK | | | 1.31 H | 166 | 102.2 | 3.3 |
| 2 | *5300.00 | 95.6 AV | | | 1.31 H | 166 | 92.3 | 3.3 |
| 3 | 10600.00 | 47.8 PK | 74.0 | -26.2 | 2.49 H | 254 | 34.3 | 13.5 |
| 4 | 10600.00 | 36.3 AV | 54.0 | -17.7 | 2.49 H | 254 | 22.8 | 13.5 |
| 5 | 15900.00 | 46.2 PK | 74.0 | -27.8 | 1.69 H | 360 | 32.9 | 13.3 |
| 6 | 15900.00 | 34.7 AV | 54.0 | -19.3 | 1.69 H | 360 | 21.4 | 13.3 |

ANTENNA POLARITY & TEST DISTANCE: VERTICAL AT 3 M

| NO. | FREQ. (MHz) | EMISSION LEVEL (dBuV/m) | LIMIT (dBuV/m) | MARGIN (dB) | ANTENNA HEIGHT (m) | TABLE ANGLE (Degree) | RAW VALUE (dBuV) | CORRECTION FACTOR (dB/m) |
|-----|----------------|-------------------------------|-------------------|----------------|--------------------------|----------------------------|------------------------|--------------------------------|
| 1 | *5300.00 | 111.3 PK | | | 2.09 V | 72 | 108.0 | 3.3 |
| 2 | *5300.00 | 102.0 AV | | | 2.09 V | 72 | 98.7 | 3.3 |
| 3 | 10600.00 | 48.3 PK | 74.0 | -25.7 | 1.40 V | 344 | 34.8 | 13.5 |
| 4 | 10600.00 | 34.0 AV | 54.0 | -20.0 | 1.40 V | 344 | 20.5 | 13.5 |
| 5 | 15900.00 | 47.4 PK | 74.0 | -26.6 | 2.97 V | 12 | 34.1 | 13.3 |
| 6 | 15900.00 | 35.2 AV | 54.0 | -18.8 | 2.97 V | 12 | 21.9 | 13.3 |

REMARKS:

1. Emission Level(dBuV/m) = Raw Value(dBuV) + Correction Factor(dB/m)
2. Correction Factor(dB/m) = Antenna Factor(dB/m) + Cable Factor(dB) – Pre-Amplifier Factor(dB)
3. The other emission levels were very low against the limit.
4. Margin value = Emission Level – Limit value
5. " * ": Fundamental frequency.

| | | | |
|------------------------|---------------|------------------------------|--------------|
| CHANNEL | TX Channel 64 | DETECTOR FUNCTION | Peak (PK) |
| FREQUENCY RANGE | 1GHz ~ 40GHz | | Average (AV) |

ANTENNA POLARITY & TEST DISTANCE: HORIZONTAL AT 3 M

| NO. | FREQ. (MHz) | EMISSION LEVEL (dBuV/m) | LIMIT (dBuV/m) | MARGIN (dB) | ANTENNA HEIGHT (m) | TABLE ANGLE (Degree) | RAW VALUE (dBuV) | CORRECTION FACTOR (dB/m) |
|-----|----------------|-------------------------------|-------------------|----------------|--------------------------|----------------------------|------------------------|--------------------------------|
| 1 | *5320.00 | 104.2 PK | | | 1.32 H | 185 | 100.9 | 3.3 |
| 2 | *5320.00 | 94.3 AV | | | 1.32 H | 185 | 91.0 | 3.3 |
| 3 | 5350.00 | 52.1 PK | 74.0 | -21.9 | 1.32 H | 185 | 48.7 | 3.4 |
| 4 | 5350.00 | 41.1 AV | 54.0 | -12.9 | 1.32 H | 185 | 37.7 | 3.4 |
| 5 | 10640.00 | 46.8 PK | 74.0 | -27.2 | 2.40 H | 227 | 33.1 | 13.7 |
| 6 | 10640.00 | 35.9 AV | 54.0 | -18.1 | 2.40 H | 227 | 22.2 | 13.7 |
| 7 | 15960.00 | 46.7 PK | 74.0 | -27.3 | 1.70 H | 352 | 33.1 | 13.6 |
| 8 | 15960.00 | 35.1 AV | 54.0 | -18.9 | 1.70 H | 352 | 21.5 | 13.6 |

ANTENNA POLARITY & TEST DISTANCE: VERTICAL AT 3 M

| NO. | FREQ. (MHz) | EMISSION LEVEL (dBuV/m) | LIMIT (dBuV/m) | MARGIN (dB) | ANTENNA HEIGHT (m) | TABLE ANGLE (Degree) | RAW VALUE (dBuV) | CORRECTION FACTOR (dB/m) |
|----------|----------------|-------------------------------|-------------------|----------------|--------------------------|----------------------------|------------------------|--------------------------------|
| 1 | *5320.00 | 110.8 PK | | | 2.03 V | 67 | 107.5 | 3.3 |
| 2 | *5320.00 | 101.1 AV | | | 2.03 V | 67 | 97.8 | 3.3 |
| 3 | 5350.00 | 71.6 PK | 74.0 | -2.4 | 2.03 V | 67 | 68.2 | 3.4 |
| 4 | 5350.00 | 52.5 AV | 54.0 | -1.5 | 2.03 V | 67 | 49.1 | 3.4 |
| 5 | 10640.00 | 48.2 PK | 74.0 | -25.8 | 1.39 V | 359 | 34.5 | 13.7 |
| 6 | 10640.00 | 34.1 AV | 54.0 | -19.9 | 1.39 V | 359 | 20.4 | 13.7 |
| 7 | 15960.00 | 47.9 PK | 74.0 | -26.1 | 3.03 V | 25 | 34.3 | 13.6 |
| 8 | 15960.00 | 35.3 AV | 54.0 | -18.7 | 3.03 V | 25 | 21.7 | 13.6 |

REMARKS:

1. Emission Level(dBuV/m) = Raw Value(dBuV) + Correction Factor(dB/m)
2. Correction Factor(dB/m) = Antenna Factor(dB/m) + Cable Factor(dB) – Pre-Amplifier Factor(dB)
3. The other emission levels were very low against the limit.
4. Margin value = Emission Level – Limit value
5. " * ": Fundamental frequency.

| | | | |
|------------------------|----------------|------------------------------|--------------|
| CHANNEL | TX Channel 100 | DETECTOR FUNCTION | Peak (PK) |
| FREQUENCY RANGE | 1GHz ~ 40GHz | | Average (AV) |

ANTENNA POLARITY & TEST DISTANCE: HORIZONTAL AT 3 M

| NO. | FREQ. (MHz) | EMISSION LEVEL (dBuV/m) | LIMIT (dBuV/m) | MARGIN (dB) | ANTENNA HEIGHT (m) | TABLE ANGLE (Degree) | RAW VALUE (dBuV) | CORRECTION FACTOR (dB/m) |
|-----|----------------|-------------------------------|-------------------|----------------|--------------------------|----------------------------|------------------------|--------------------------------|
| 1 | 5460.00 | 50.2 PK | 74.0 | -23.8 | 1.32 H | 183 | 46.6 | 3.6 |
| 2 | 5460.00 | 37.9 AV | 54.0 | -16.1 | 1.32 H | 183 | 34.3 | 3.6 |
| 3 | #5470.00 | 51.9 PK | 68.2 | -16.3 | 1.32 H | 183 | 48.3 | 3.6 |
| 4 | *5500.00 | 103.6 PK | | | 1.32 H | 183 | 99.9 | 3.7 |
| 5 | *5500.00 | 103.4 AV | | | 1.32 H | 183 | 99.7 | 3.7 |
| 6 | 11000.00 | 47.2 PK | 74.0 | -26.8 | 2.38 H | 250 | 33.2 | 14.0 |
| 7 | 11000.00 | 36.6 AV | 54.0 | -17.4 | 2.38 H | 250 | 22.6 | 14.0 |
| 8 | #16500.00 | 47.3 PK | 68.2 | -20.9 | 1.73 H | 355 | 31.5 | 15.8 |

ANTENNA POLARITY & TEST DISTANCE: VERTICAL AT 3 M

| NO. | FREQ. (MHz) | EMISSION LEVEL (dBuV/m) | LIMIT (dBuV/m) | MARGIN (dB) | ANTENNA HEIGHT (m) | TABLE ANGLE (Degree) | RAW VALUE (dBuV) | CORRECTION FACTOR (dB/m) |
|----------|-----------------|-------------------------------|-------------------|----------------|--------------------------|----------------------------|------------------------|--------------------------------|
| 1 | 5460.00 | 56.3 PK | 74.0 | -17.7 | 2.01 V | 68 | 52.7 | 3.6 |
| 2 | 5460.00 | 40.5 AV | 54.0 | -13.5 | 2.01 V | 68 | 36.9 | 3.6 |
| 3 | #5470.00 | 66.7 PK | 68.2 | -1.5 | 2.01 V | 68 | 63.1 | 3.6 |
| 4 | *5500.00 | 110.2 PK | | | 2.01 V | 68 | 106.5 | 3.7 |
| 5 | *5500.00 | 100.2 AV | | | 2.01 V | 68 | 96.5 | 3.7 |
| 6 | 11000.00 | 48.0 PK | 74.0 | -26.0 | 1.33 V | 360 | 34.0 | 14.0 |
| 7 | 11000.00 | 33.8 AV | 54.0 | -20.2 | 1.33 V | 360 | 19.8 | 14.0 |
| 8 | #16500.00 | 47.6 PK | 68.2 | -20.6 | 2.97 V | 16 | 31.8 | 15.8 |

REMARKS:

1. Emission Level(dBuV/m) = Raw Value(dBuV) + Correction Factor(dB/m)
2. Correction Factor(dB/m) = Antenna Factor(dB/m) + Cable Factor(dB) – Pre-Amplifier Factor(dB)
3. The other emission levels were very low against the limit.
4. Margin value = Emission Level – Limit value
5. " * ": Fundamental frequency.
6. " # ": The radiated frequency is out of the restricted band.

| | | | |
|------------------------|----------------|------------------------------|--------------|
| CHANNEL | TX Channel 116 | DETECTOR FUNCTION | Peak (PK) |
| FREQUENCY RANGE | 1GHz ~ 40GHz | | Average (AV) |

ANTENNA POLARITY & TEST DISTANCE: HORIZONTAL AT 3 M

| NO. | FREQ. (MHz) | EMISSION LEVEL (dBuV/m) | LIMIT (dBuV/m) | MARGIN (dB) | ANTENNA HEIGHT (m) | TABLE ANGLE (Degree) | RAW VALUE (dBuV) | CORRECTION FACTOR (dB/m) |
|-----|----------------|-------------------------------|-------------------|----------------|--------------------------|----------------------------|------------------------|--------------------------------|
| 1 | *5580.00 | 106.1 PK | | | 1.43 H | 200 | 102.3 | 3.8 |
| 2 | *5580.00 | 96.1 AV | | | 1.43 H | 200 | 92.3 | 3.8 |
| 3 | 11160.00 | 47.3 PK | 74.0 | -26.7 | 2.42 H | 248 | 33.6 | 13.7 |
| 4 | 11160.00 | 36.3 AV | 54.0 | -17.7 | 2.42 H | 248 | 22.6 | 13.7 |
| 5 | #16740.00 | 46.8 PK | 68.2 | -21.4 | 1.67 H | 360 | 29.8 | 17.0 |

ANTENNA POLARITY & TEST DISTANCE: VERTICAL AT 3 M

| NO. | FREQ. (MHz) | EMISSION LEVEL (dBuV/m) | LIMIT (dBuV/m) | MARGIN (dB) | ANTENNA HEIGHT (m) | TABLE ANGLE (Degree) | RAW VALUE (dBuV) | CORRECTION FACTOR (dB/m) |
|-----|----------------|-------------------------------|-------------------|----------------|--------------------------|----------------------------|------------------------|--------------------------------|
| 1 | *5580.00 | 112.7 PK | | | 2.06 V | 71 | 108.9 | 3.8 |
| 2 | *5580.00 | 102.7 AV | | | 2.06 V | 71 | 98.9 | 3.8 |
| 3 | 11160.00 | 48.6 PK | 74.0 | -25.4 | 1.41 V | 360 | 34.9 | 13.7 |
| 4 | 11160.00 | 34.0 AV | 54.0 | -20.0 | 1.41 V | 360 | 20.3 | 13.7 |
| 5 | #16740.00 | 47.6 PK | 68.2 | -20.6 | 2.99 V | 23 | 30.6 | 17.0 |

REMARKS:

1. Emission Level(dBuV/m) = Raw Value(dBuV) + Correction Factor(dB/m)
2. Correction Factor(dB/m) = Antenna Factor(dB/m) + Cable Factor(dB) – Pre-Amplifier Factor(dB)
3. The other emission levels were very low against the limit.
4. Margin value = Emission Level – Limit value
5. " * ": Fundamental frequency.
6. " # ": The radiated frequency is out of the restricted band.

| | | | |
|------------------------|----------------|------------------------------|--------------|
| CHANNEL | TX Channel 140 | DETECTOR FUNCTION | Peak (PK) |
| FREQUENCY RANGE | 1GHz ~ 40GHz | | Average (AV) |

ANTENNA POLARITY & TEST DISTANCE: HORIZONTAL AT 3 M

| NO. | FREQ. (MHz) | EMISSION LEVEL (dBuV/m) | LIMIT (dBuV/m) | MARGIN (dB) | ANTENNA HEIGHT (m) | TABLE ANGLE (Degree) | RAW VALUE (dBuV) | CORRECTION FACTOR (dB/m) |
|-----|----------------|-------------------------------|-------------------|----------------|--------------------------|----------------------------|------------------------|--------------------------------|
| 1 | *5700.00 | 104.6 PK | | | 1.36 H | 188 | 100.4 | 4.2 |
| 2 | *5700.00 | 93.1 AV | | | 1.36 H | 188 | 88.9 | 4.2 |
| 3 | #5725.00 | 58.6 PK | 68.2 | -9.6 | 1.36 H | 188 | 54.4 | 4.2 |
| 4 | 11400.00 | 48.1 PK | 74.0 | -25.9 | 2.47 H | 231 | 33.8 | 14.3 |
| 5 | 11400.00 | 36.1 AV | 54.0 | -17.9 | 2.47 H | 231 | 21.8 | 14.3 |
| 6 | #17100.00 | 46.7 PK | 68.2 | -21.5 | 1.77 H | 360 | 29.0 | 17.7 |

ANTENNA POLARITY & TEST DISTANCE: VERTICAL AT 3 M

| NO. | FREQ. (MHz) | EMISSION LEVEL (dBuV/m) | LIMIT (dBuV/m) | MARGIN (dB) | ANTENNA HEIGHT (m) | TABLE ANGLE (Degree) | RAW VALUE (dBuV) | CORRECTION FACTOR (dB/m) |
|-----|----------------|-------------------------------|-------------------|----------------|--------------------------|----------------------------|------------------------|--------------------------------|
| 1 | *5700.00 | 110.3 PK | | | 2.06 V | 72 | 106.1 | 4.2 |
| 2 | *5700.00 | 100.5 AV | | | 2.06 V | 72 | 96.3 | 4.2 |
| 3 | #5725.00 | 66.6 PK | 68.2 | -1.6 | 2.06 V | 72 | 62.4 | 4.2 |
| 4 | 11400.00 | 47.8 PK | 74.0 | -26.2 | 1.40 V | 347 | 33.5 | 14.3 |
| 5 | 11400.00 | 33.3 AV | 54.0 | -20.7 | 1.40 V | 347 | 19.0 | 14.3 |
| 6 | #17100.00 | 47.7 PK | 68.2 | -20.5 | 3.02 V | 12 | 30.0 | 17.7 |

REMARKS:

1. Emission Level(dBuV/m) = Raw Value(dBuV) + Correction Factor(dB/m)
2. Correction Factor(dB/m) = Antenna Factor(dB/m) + Cable Factor(dB) – Pre-Amplifier Factor(dB)
3. The other emission levels were very low against the limit.
4. Margin value = Emission Level – Limit value
5. " * ": Fundamental frequency.
6. " # ": The radiated frequency is out of the restricted band.

| | | | |
|------------------------|----------------|------------------------------|--------------|
| CHANNEL | TX Channel 144 | DETECTOR FUNCTION | Peak (PK) |
| FREQUENCY RANGE | 1GHz ~ 40GHz | | Average (AV) |

ANTENNA POLARITY & TEST DISTANCE: HORIZONTAL AT 3 M

| NO. | FREQ. (MHz) | EMISSION LEVEL (dBuV/m) | LIMIT (dBuV/m) | MARGIN (dB) | ANTENNA HEIGHT (m) | TABLE ANGLE (Degree) | RAW VALUE (dBuV) | CORRECTION FACTOR (dB/m) |
|-----|----------------|-------------------------------|-------------------|----------------|--------------------------|----------------------------|------------------------|--------------------------------|
| 1 | 5460.00 | 50.0 PK | 74.0 | -24.0 | 1.40 H | 189 | 46.4 | 3.6 |
| 2 | 5460.00 | 37.5 AV | 54.0 | -16.5 | 1.40 H | 189 | 33.9 | 3.6 |
| 3 | #5470.00 | 48.8 PK | 68.2 | -19.4 | 1.40 H | 189 | 45.2 | 3.6 |
| 4 | *5720.00 | 106.2 PK | | | 1.40 H | 189 | 102.0 | 4.2 |
| 5 | *5720.00 | 96.5 AV | | | 1.40 H | 189 | 92.3 | 4.2 |
| 6 | #5850.00 | 47.2 PK | 68.2 | -21.0 | 1.40 H | 189 | 42.7 | 4.5 |
| 7 | 11440.00 | 47.8 PK | 74.0 | -26.2 | 2.41 H | 243 | 33.5 | 14.3 |
| 8 | 11440.00 | 36.9 AV | 54.0 | -17.1 | 2.41 H | 243 | 22.6 | 14.3 |
| 9 | #17160.00 | 46.6 PK | 68.2 | -21.6 | 1.67 H | 357 | 29.1 | 17.5 |

ANTENNA POLARITY & TEST DISTANCE: VERTICAL AT 3 M

| NO. | FREQ. (MHz) | EMISSION LEVEL (dBuV/m) | LIMIT (dBuV/m) | MARGIN (dB) | ANTENNA HEIGHT (m) | TABLE ANGLE (Degree) | RAW VALUE (dBuV) | CORRECTION FACTOR (dB/m) |
|-----|----------------|-------------------------------|-------------------|----------------|--------------------------|----------------------------|------------------------|--------------------------------|
| 1 | 5460.00 | 50.1 PK | 74.0 | -23.9 | 2.07 V | 70 | 46.5 | 3.6 |
| 2 | 5460.00 | 38.2 AV | 54.0 | -15.8 | 2.07 V | 70 | 34.6 | 3.6 |
| 3 | #5470.00 | 50.8 PK | 68.2 | -17.4 | 2.07 V | 70 | 47.2 | 3.6 |
| 4 | *5720.00 | 112.4 PK | | | 2.07 V | 70 | 108.2 | 4.2 |
| 5 | *5720.00 | 102.9 AV | | | 2.07 V | 70 | 98.7 | 4.2 |
| 6 | #5850.00 | 50.9 PK | 68.2 | -17.3 | 2.07 V | 70 | 46.4 | 4.5 |
| 7 | 11440.00 | 47.6 PK | 74.0 | -26.4 | 1.45 V | 360 | 33.3 | 14.3 |
| 8 | 11440.00 | 33.4 AV | 54.0 | -20.6 | 1.45 V | 360 | 19.1 | 14.3 |
| 9 | #17160.00 | 47.4 PK | 68.2 | -20.8 | 2.97 V | 27 | 29.9 | 17.5 |

REMARKS:

1. Emission Level(dBuV/m) = Raw Value(dBuV) + Correction Factor(dB/m)
2. Correction Factor(dB/m) = Antenna Factor(dB/m) + Cable Factor(dB) – Pre-Amplifier Factor(dB)
3. The other emission levels were very low against the limit.
4. Margin value = Emission Level – Limit value
5. " * ": Fundamental frequency.
6. " # ": The radiated frequency is out of the restricted band.

| | | | |
|------------------------|----------------|--------------------------|--------------|
| CHANNEL | TX Channel 149 | DETECTOR FUNCTION | Peak (PK) |
| FREQUENCY RANGE | 1GHz ~ 40GHz | | Average (AV) |

ANTENNA POLARITY & TEST DISTANCE: HORIZONTAL AT 3 M

| NO. | FREQ. (MHz) | EMISSION LEVEL (dBuV/m) | LIMIT (dBuV/m) | MARGIN (dB) | ANTENNA HEIGHT (m) | TABLE ANGLE (Degree) | RAW VALUE (dBuV) | CORRECTION FACTOR (dB/m) |
|-----|-------------|-------------------------|----------------|-------------|--------------------|----------------------|------------------|--------------------------|
| 1 | #5589.46 | 51.3 PK | 68.2 | -16.9 | 1.24 H | 43 | 47.5 | 3.8 |
| 2 | *5745.00 | 104.3 PK | | | 1.24 H | 43 | 100.1 | 4.2 |
| 3 | *5745.00 | 94.6 AV | | | 1.24 H | 43 | 90.4 | 4.2 |
| 4 | #5929.66 | 49.5 PK | 68.2 | -18.7 | 1.24 H | 43 | 45.1 | 4.4 |
| 5 | 11490.00 | 47.4 PK | 74.0 | -26.6 | 2.42 H | 240 | 33.1 | 14.3 |
| 6 | 11490.00 | 36.9 AV | 54.0 | -17.1 | 2.42 H | 240 | 22.6 | 14.3 |
| 7 | #17235.00 | 46.5 PK | 68.2 | -21.7 | 1.73 H | 354 | 29.2 | 17.3 |

ANTENNA POLARITY & TEST DISTANCE: VERTICAL AT 3 M

| NO. | FREQ. (MHz) | EMISSION LEVEL (dBuV/m) | LIMIT (dBuV/m) | MARGIN (dB) | ANTENNA HEIGHT (m) | TABLE ANGLE (Degree) | RAW VALUE (dBuV) | CORRECTION FACTOR (dB/m) |
|-----|-------------|-------------------------|----------------|-------------|--------------------|----------------------|------------------|--------------------------|
| 1 | #5588.12 | 54.0 PK | 68.2 | -14.2 | 2.06 V | 71 | 50.2 | 3.8 |
| 2 | *5745.00 | 112.2 PK | | | 2.06 V | 71 | 108.0 | 4.2 |
| 3 | *5745.00 | 102.7 AV | | | 2.06 V | 71 | 98.5 | 4.2 |
| 4 | #5994.73 | 50.4 PK | 68.2 | -17.8 | 2.06 V | 71 | 45.9 | 4.5 |
| 5 | 11490.00 | 48.3 PK | 74.0 | -25.7 | 1.34 V | 360 | 34.0 | 14.3 |
| 6 | 11490.00 | 33.9 AV | 54.0 | -20.1 | 1.34 V | 360 | 19.6 | 14.3 |
| 7 | #17235.00 | 47.8 PK | 68.2 | -20.4 | 2.99 V | 33 | 30.5 | 17.3 |

REMARKS:

1. Emission Level(dBuV/m) = Raw Value(dBuV) + Correction Factor(dB/m)
2. Correction Factor(dB/m) = Antenna Factor(dB/m) + Cable Factor(dB) – Pre-Amplifier Factor(dB)
3. The other emission levels were very low against the limit.
4. Margin value = Emission Level – Limit value
5. " * ": Fundamental frequency.
6. " # ": The radiated frequency is out of the restricted band.

| | | | |
|------------------------|----------------|------------------------------|--------------|
| CHANNEL | TX Channel 157 | DETECTOR FUNCTION | Peak (PK) |
| FREQUENCY RANGE | 1GHz ~ 40GHz | | Average (AV) |

ANTENNA POLARITY & TEST DISTANCE: HORIZONTAL AT 3 M

| NO. | FREQ. (MHz) | EMISSION LEVEL (dBuV/m) | LIMIT (dBuV/m) | MARGIN (dB) | ANTENNA HEIGHT (m) | TABLE ANGLE (Degree) | RAW VALUE (dBuV) | CORRECTION FACTOR (dB/m) |
|-----|----------------|-------------------------------|-------------------|----------------|--------------------------|----------------------------|------------------------|--------------------------------|
| 1 | #5583.67 | 49.7 PK | 68.2 | -18.5 | 1.23 H | 56 | 45.9 | 3.8 |
| 2 | *5785.00 | 104.2 PK | | | 1.23 H | 56 | 99.9 | 4.3 |
| 3 | *5785.00 | 94.3 AV | | | 1.23 H | 56 | 90.0 | 4.3 |
| 4 | #5946.95 | 49.8 PK | 68.2 | -18.4 | 1.23 H | 56 | 45.4 | 4.4 |
| 5 | 11570.00 | 47.0 PK | 74.0 | -27.0 | 2.41 H | 246 | 32.9 | 14.1 |
| 6 | 11570.00 | 36.2 AV | 54.0 | -17.8 | 2.41 H | 246 | 22.1 | 14.1 |
| 7 | #17355.00 | 46.1 PK | 68.2 | -22.1 | 1.67 H | 360 | 28.5 | 17.6 |

ANTENNA POLARITY & TEST DISTANCE: VERTICAL AT 3 M

| NO. | FREQ. (MHz) | EMISSION LEVEL (dBuV/m) | LIMIT (dBuV/m) | MARGIN (dB) | ANTENNA HEIGHT (m) | TABLE ANGLE (Degree) | RAW VALUE (dBuV) | CORRECTION FACTOR (dB/m) |
|-----|----------------|-------------------------------|-------------------|----------------|--------------------------|----------------------------|------------------------|--------------------------------|
| 1 | #5627.78 | 54.6 PK | 68.2 | -13.6 | 2.06 V | 85 | 50.8 | 3.8 |
| 2 | *5785.00 | 112.7 PK | | | 2.06 V | 85 | 108.4 | 4.3 |
| 3 | *5785.00 | 103.0 AV | | | 2.06 V | 85 | 98.7 | 4.3 |
| 4 | #5936.95 | 53.3 PK | 68.2 | -14.9 | 2.06 V | 85 | 48.9 | 4.4 |
| 5 | 11570.00 | 47.1 PK | 74.0 | -26.9 | 1.39 V | 346 | 33.0 | 14.1 |
| 6 | 11570.00 | 33.1 AV | 54.0 | -20.9 | 1.39 V | 346 | 19.0 | 14.1 |
| 7 | #17355.00 | 47.2 PK | 68.2 | -21.0 | 2.96 V | 12 | 29.6 | 17.6 |

REMARKS:

1. Emission Level(dBuV/m) = Raw Value(dBuV) + Correction Factor(dB/m)
2. Correction Factor(dB/m) = Antenna Factor(dB/m) + Cable Factor(dB) – Pre-Amplifier Factor(dB)
3. The other emission levels were very low against the limit.
4. Margin value = Emission Level – Limit value
5. " * ": Fundamental frequency.
6. " # ": The radiated frequency is out of the restricted band.

| | | | |
|------------------------|----------------|------------------------------|--------------|
| CHANNEL | TX Channel 165 | DETECTOR FUNCTION | Peak (PK) |
| FREQUENCY RANGE | 1GHz ~ 40GHz | | Average (AV) |

ANTENNA POLARITY & TEST DISTANCE: HORIZONTAL AT 3 M

| NO. | FREQ. (MHz) | EMISSION LEVEL (dBuV/m) | LIMIT (dBuV/m) | MARGIN (dB) | ANTENNA HEIGHT (m) | TABLE ANGLE (Degree) | RAW VALUE (dBuV) | CORRECTION FACTOR (dB/m) |
|-----|----------------|-------------------------------|-------------------|----------------|--------------------------|----------------------------|------------------------|--------------------------------|
| 1 | #5600.18 | 49.1 PK | 68.2 | -19.1 | 1.18 H | 45 | 45.3 | 3.8 |
| 2 | *5825.00 | 103.7 PK | | | 1.18 H | 45 | 99.2 | 4.5 |
| 3 | *5825.00 | 94.1 AV | | | 1.18 H | 45 | 89.6 | 4.5 |
| 4 | #5990.18 | 50.6 PK | 68.2 | -17.6 | 1.18 H | 45 | 46.1 | 4.5 |
| 5 | 11650.00 | 47.0 PK | 74.0 | -27.0 | 2.38 H | 247 | 33.1 | 13.9 |
| 6 | 11650.00 | 36.7 AV | 54.0 | -17.3 | 2.38 H | 247 | 22.8 | 13.9 |
| 7 | #17475.00 | 46.7 PK | 68.2 | -21.5 | 1.71 H | 350 | 27.9 | 18.8 |

ANTENNA POLARITY & TEST DISTANCE: VERTICAL AT 3 M

| NO. | FREQ. (MHz) | EMISSION LEVEL (dBuV/m) | LIMIT (dBuV/m) | MARGIN (dB) | ANTENNA HEIGHT (m) | TABLE ANGLE (Degree) | RAW VALUE (dBuV) | CORRECTION FACTOR (dB/m) |
|-----|----------------|-------------------------------|-------------------|----------------|--------------------------|----------------------------|------------------------|--------------------------------|
| 1 | #5576.85 | 50.7 PK | 68.2 | -17.5 | 2.02 V | 56 | 46.9 | 3.8 |
| 2 | *5825.00 | 112.7 PK | | | 2.02 V | 56 | 108.2 | 4.5 |
| 3 | *5825.00 | 103.2 AV | | | 2.02 V | 56 | 98.7 | 4.5 |
| 4 | #5982.08 | 54.3 PK | 68.2 | -13.9 | 2.02 V | 56 | 49.8 | 4.5 |
| 5 | 11650.00 | 48.4 PK | 74.0 | -25.6 | 1.35 V | 345 | 34.5 | 13.9 |
| 6 | 11650.00 | 34.0 AV | 54.0 | -20.0 | 1.35 V | 345 | 20.1 | 13.9 |
| 7 | #17475.00 | 47.9 PK | 68.2 | -20.3 | 3.01 V | 8 | 29.1 | 18.8 |

REMARKS:

1. Emission Level(dBuV/m) = Raw Value(dBuV) + Correction Factor(dB/m)
2. Correction Factor(dB/m) = Antenna Factor(dB/m) + Cable Factor(dB) – Pre-Amplifier Factor(dB)
3. The other emission levels were very low against the limit.
4. Margin value = Emission Level – Limit value
5. " * ": Fundamental frequency.
6. " # ": The radiated frequency is out of the restricted band.

802.11ac (VHT40)

| | | | |
|------------------------|---------------|------------------------------|--------------|
| CHANNEL | TX Channel 38 | DETECTOR FUNCTION | Peak (PK) |
| FREQUENCY RANGE | 1GHz ~ 40GHz | | Average (AV) |

ANTENNA POLARITY & TEST DISTANCE: HORIZONTAL AT 3 M

| NO. | FREQ. (MHz) | EMISSION LEVEL (dBuV/m) | LIMIT (dBuV/m) | MARGIN (dB) | ANTENNA HEIGHT (m) | TABLE ANGLE (Degree) | RAW VALUE (dBuV) | CORRECTION FACTOR (dB/m) |
|-----|----------------|-------------------------------|-------------------|----------------|--------------------------|----------------------------|------------------------|--------------------------------|
| 1 | 5150.00 | 52.2 PK | 74.0 | -21.8 | 1.35 H | 181 | 48.8 | 3.4 |
| 2 | 5150.00 | 40.7 AV | 54.0 | -13.3 | 1.35 H | 181 | 37.3 | 3.4 |
| 3 | *5190.00 | 98.6 PK | | | 1.35 H | 181 | 95.1 | 3.5 |
| 4 | *5190.00 | 88.4 AV | | | 1.35 H | 181 | 84.9 | 3.5 |
| 5 | #10380.00 | 46.2 PK | 68.2 | -22.0 | 2.29 H | 266 | 32.7 | 13.5 |
| 6 | 15570.00 | 45.3 PK | 74.0 | -28.7 | 1.72 H | 353 | 31.5 | 13.8 |
| 7 | 15570.00 | 33.2 AV | 54.0 | -20.8 | 1.72 H | 353 | 19.4 | 13.8 |

ANTENNA POLARITY & TEST DISTANCE: VERTICAL AT 3 M

| NO. | FREQ. (MHz) | EMISSION LEVEL (dBuV/m) | LIMIT (dBuV/m) | MARGIN (dB) | ANTENNA HEIGHT (m) | TABLE ANGLE (Degree) | RAW VALUE (dBuV) | CORRECTION FACTOR (dB/m) |
|-----|----------------|-------------------------------|-------------------|----------------|--------------------------|----------------------------|------------------------|--------------------------------|
| 1 | 5150.00 | 71.0 PK | 74.0 | -3.0 | 2.02 V | 262 | 67.6 | 3.4 |
| 2 | 5150.00 | 52.4 AV | 54.0 | -1.6 | 2.02 V | 262 | 49.0 | 3.4 |
| 3 | *5190.00 | 105.1 PK | | | 2.02 V | 262 | 101.6 | 3.5 |
| 4 | *5190.00 | 95.5 AV | | | 2.02 V | 262 | 92.0 | 3.5 |
| 5 | #10380.00 | 47.6 PK | 68.2 | -20.6 | 1.32 V | 360 | 34.1 | 13.5 |
| 6 | 15570.00 | 46.3 PK | 74.0 | -27.7 | 2.97 V | 14 | 32.5 | 13.8 |
| 7 | 15570.00 | 34.2 AV | 54.0 | -19.8 | 2.97 V | 14 | 20.4 | 13.8 |

REMARKS:

- Emission Level(dBuV/m) = Raw Value(dBuV) + Correction Factor(dB/m)
- Correction Factor(dB/m) = Antenna Factor(dB/m) + Cable Factor(dB) – Pre-Amplifier Factor(dB)
- The other emission levels were very low against the limit.
- Margin value = Emission Level – Limit value
- " * ": Fundamental frequency.
- " # ": The radiated frequency is out of the restricted band.

| | | | |
|------------------------|---------------|------------------------------|--------------|
| CHANNEL | TX Channel 46 | DETECTOR FUNCTION | Peak (PK) |
| FREQUENCY RANGE | 1GHz ~ 40GHz | | Average (AV) |

ANTENNA POLARITY & TEST DISTANCE: HORIZONTAL AT 3 M

| NO. | FREQ. (MHz) | EMISSION LEVEL (dBuV/m) | LIMIT (dBuV/m) | MARGIN (dB) | ANTENNA HEIGHT (m) | TABLE ANGLE (Degree) | RAW VALUE (dBuV) | CORRECTION FACTOR (dB/m) |
|-----|----------------|-------------------------------|-------------------|----------------|--------------------------|----------------------------|------------------------|--------------------------------|
| 1 | 5150.00 | 50.1 PK | 74.0 | -23.9 | 1.40 H | 177 | 46.7 | 3.4 |
| 2 | 5150.00 | 38.4 AV | 54.0 | -15.6 | 1.40 H | 177 | 35.0 | 3.4 |
| 3 | *5230.00 | 102.6 PK | | | 1.40 H | 177 | 99.3 | 3.3 |
| 4 | *5230.00 | 92.6 AV | | | 1.40 H | 177 | 89.3 | 3.3 |
| 5 | 5350.00 | 50.7 PK | 74.0 | -23.3 | 1.40 H | 177 | 47.3 | 3.4 |
| 6 | 5350.00 | 38.1 AV | 54.0 | -15.9 | 1.40 H | 177 | 34.7 | 3.4 |
| 7 | #10460.00 | 46.2 PK | 68.2 | -22.0 | 2.34 H | 272 | 32.4 | 13.8 |
| 8 | 15690.00 | 45.5 PK | 74.0 | -28.5 | 1.73 H | 357 | 31.6 | 13.9 |
| 9 | 15690.00 | 32.4 AV | 54.0 | -21.6 | 1.73 H | 357 | 18.5 | 13.9 |

ANTENNA POLARITY & TEST DISTANCE: VERTICAL AT 3 M

| NO. | FREQ. (MHz) | EMISSION LEVEL (dBuV/m) | LIMIT (dBuV/m) | MARGIN (dB) | ANTENNA HEIGHT (m) | TABLE ANGLE (Degree) | RAW VALUE (dBuV) | CORRECTION FACTOR (dB/m) |
|-----|----------------|-------------------------------|-------------------|----------------|--------------------------|----------------------------|------------------------|--------------------------------|
| 1 | 5150.00 | 56.1 PK | 74.0 | -17.9 | 1.98 V | 264 | 52.7 | 3.4 |
| 2 | 5150.00 | 41.6 AV | 54.0 | -12.4 | 1.98 V | 264 | 38.2 | 3.4 |
| 3 | *5230.00 | 108.2 PK | | | 1.98 V | 264 | 104.9 | 3.3 |
| 4 | *5230.00 | 99.7 AV | | | 1.98 V | 264 | 96.4 | 3.3 |
| 5 | 5350.00 | 52.3 PK | 74.0 | -21.7 | 1.98 V | 264 | 48.9 | 3.4 |
| 6 | 5350.00 | 40.2 AV | 54.0 | -13.8 | 1.98 V | 264 | 36.8 | 3.4 |
| 7 | #10460.00 | 48.8 PK | 68.2 | -19.4 | 1.36 V | 360 | 35.0 | 13.8 |
| 8 | 15690.00 | 47.6 PK | 74.0 | -26.4 | 3.07 V | 31 | 33.7 | 13.9 |
| 9 | 15690.00 | 35.1 AV | 54.0 | -18.9 | 3.07 V | 31 | 21.2 | 13.9 |

REMARKS:

1. Emission Level(dBuV/m) = Raw Value(dBuV) + Correction Factor(dB/m)
2. Correction Factor(dB/m) = Antenna Factor(dB/m) + Cable Factor(dB) – Pre-Amplifier Factor(dB)
3. The other emission levels were very low against the limit.
4. Margin value = Emission Level – Limit value
5. " * ": Fundamental frequency.
6. " # ": The radiated frequency is out of the restricted band.

| | | | |
|------------------------|---------------|------------------------------|--------------|
| CHANNEL | TX Channel 54 | DETECTOR FUNCTION | Peak (PK) |
| FREQUENCY RANGE | 1GHz ~ 40GHz | | Average (AV) |

ANTENNA POLARITY & TEST DISTANCE: HORIZONTAL AT 3 M

| NO. | FREQ. (MHz) | EMISSION LEVEL (dBuV/m) | LIMIT (dBuV/m) | MARGIN (dB) | ANTENNA HEIGHT (m) | TABLE ANGLE (Degree) | RAW VALUE (dBuV) | CORRECTION FACTOR (dB/m) |
|-----|----------------|-------------------------------|-------------------|----------------|--------------------------|----------------------------|------------------------|--------------------------------|
| 1 | 5150.00 | 50.4 PK | 74.0 | -23.6 | 1.44 H | 182 | 47.0 | 3.4 |
| 2 | 5150.00 | 38.1 AV | 54.0 | -15.9 | 1.44 H | 182 | 34.7 | 3.4 |
| 3 | *5270.00 | 101.6 PK | | | 1.44 H | 182 | 98.4 | 3.2 |
| 4 | *5270.00 | 93.4 AV | | | 1.44 H | 182 | 90.2 | 3.2 |
| 5 | 5350.00 | 51.7 PK | 74.0 | -22.3 | 1.44 H | 182 | 48.3 | 3.4 |
| 6 | 5350.00 | 39.0 AV | 54.0 | -15.0 | 1.44 H | 182 | 35.6 | 3.4 |
| 7 | #10540.00 | 45.7 PK | 68.2 | -22.5 | 2.32 H | 265 | 32.0 | 13.7 |
| 8 | 15810.00 | 46.4 PK | 74.0 | -27.6 | 1.69 H | 360 | 32.9 | 13.5 |
| 9 | 15810.00 | 33.3 AV | 54.0 | -20.7 | 1.69 H | 360 | 19.8 | 13.5 |

ANTENNA POLARITY & TEST DISTANCE: VERTICAL AT 3 M

| NO. | FREQ. (MHz) | EMISSION LEVEL (dBuV/m) | LIMIT (dBuV/m) | MARGIN (dB) | ANTENNA HEIGHT (m) | TABLE ANGLE (Degree) | RAW VALUE (dBuV) | CORRECTION FACTOR (dB/m) |
|-----|----------------|-------------------------------|-------------------|----------------|--------------------------|----------------------------|------------------------|--------------------------------|
| 1 | 5150.00 | 53.4 PK | 74.0 | -20.6 | 1.90 V | 264 | 50.0 | 3.4 |
| 2 | 5150.00 | 39.1 AV | 54.0 | -14.9 | 1.90 V | 264 | 35.7 | 3.4 |
| 3 | *5270.00 | 108.6 PK | | | 1.90 V | 264 | 105.4 | 3.2 |
| 4 | *5270.00 | 100.2 AV | | | 1.90 V | 264 | 97.0 | 3.2 |
| 5 | 5350.00 | 63.1 PK | 74.0 | -10.9 | 1.90 V | 264 | 59.7 | 3.4 |
| 6 | 5350.00 | 45.8 AV | 54.0 | -8.2 | 1.90 V | 264 | 42.4 | 3.4 |
| 7 | #10540.00 | 47.7 PK | 68.2 | -20.5 | 1.38 V | 360 | 34.0 | 13.7 |
| 8 | 15810.00 | 47.1 PK | 74.0 | -26.9 | 3.11 V | 32 | 33.6 | 13.5 |
| 9 | 15810.00 | 34.9 AV | 54.0 | -19.1 | 3.11 V | 32 | 21.4 | 13.5 |

REMARKS:

1. Emission Level(dBuV/m) = Raw Value(dBuV) + Correction Factor(dB/m)
2. Correction Factor(dB/m) = Antenna Factor(dB/m) + Cable Factor(dB) – Pre-Amplifier Factor(dB)
3. The other emission levels were very low against the limit.
4. Margin value = Emission Level – Limit value
5. " * ": Fundamental frequency.
6. " # ": The radiated frequency is out of the restricted band.

| | | | |
|------------------------|---------------|------------------------------|--------------|
| CHANNEL | TX Channel 62 | DETECTOR FUNCTION | Peak (PK) |
| FREQUENCY RANGE | 1GHz ~ 40GHz | | Average (AV) |

ANTENNA POLARITY & TEST DISTANCE: HORIZONTAL AT 3 M

| NO. | FREQ. (MHz) | EMISSION LEVEL (dBuV/m) | LIMIT (dBuV/m) | MARGIN (dB) | ANTENNA HEIGHT (m) | TABLE ANGLE (Degree) | RAW VALUE (dBuV) | CORRECTION FACTOR (dB/m) |
|-----|----------------|-------------------------------|-------------------|----------------|--------------------------|----------------------------|------------------------|--------------------------------|
| 1 | *5310.00 | 106.0 PK | | | 1.46 H | 183 | 102.7 | 3.3 |
| 2 | *5310.00 | 90.4 AV | | | 1.46 H | 183 | 87.1 | 3.3 |
| 3 | 5350.00 | 56.0 PK | 74.0 | -18.0 | 1.46 H | 183 | 52.6 | 3.4 |
| 4 | 5350.00 | 42.1 AV | 54.0 | -11.9 | 1.46 H | 183 | 38.7 | 3.4 |
| 5 | 10620.00 | 45.7 PK | 74.0 | -28.3 | 2.34 H | 262 | 32.0 | 13.7 |
| 6 | 10620.00 | 35.4 AV | 54.0 | -18.6 | 2.34 H | 262 | 21.7 | 13.7 |
| 7 | 15930.00 | 46.0 PK | 74.0 | -28.0 | 1.71 H | 352 | 32.5 | 13.5 |
| 8 | 15930.00 | 32.9 AV | 54.0 | -21.1 | 1.71 H | 352 | 19.4 | 13.5 |

ANTENNA POLARITY & TEST DISTANCE: VERTICAL AT 3 M

| NO. | FREQ. (MHz) | EMISSION LEVEL (dBuV/m) | LIMIT (dBuV/m) | MARGIN (dB) | ANTENNA HEIGHT (m) | TABLE ANGLE (Degree) | RAW VALUE (dBuV) | CORRECTION FACTOR (dB/m) |
|----------|----------------|-------------------------------|-------------------|----------------|--------------------------|----------------------------|------------------------|--------------------------------|
| 1 | *5310.00 | 106.4 PK | | | 2.03 V | 262 | 103.1 | 3.3 |
| 2 | *5310.00 | 97.5 AV | | | 2.03 V | 262 | 94.2 | 3.3 |
| 3 | 5350.00 | 71.3 PK | 74.0 | -2.7 | 2.03 V | 262 | 67.9 | 3.4 |
| 4 | 5350.00 | 52.5 AV | 54.0 | -1.5 | 2.03 V | 262 | 49.1 | 3.4 |
| 5 | 10620.00 | 48.2 PK | 74.0 | -25.8 | 1.38 V | 360 | 34.5 | 13.7 |
| 6 | 10620.00 | 32.6 AV | 54.0 | -21.4 | 1.38 V | 360 | 18.9 | 13.7 |
| 7 | 15930.00 | 46.9 PK | 74.0 | -27.1 | 3.06 V | 24 | 33.4 | 13.5 |
| 8 | 15930.00 | 34.7 AV | 54.0 | -19.3 | 3.06 V | 24 | 21.2 | 13.5 |

REMARKS:

1. Emission Level(dBuV/m) = Raw Value(dBuV) + Correction Factor(dB/m)
2. Correction Factor(dB/m) = Antenna Factor(dB/m) + Cable Factor(dB) – Pre-Amplifier Factor(dB)
3. The other emission levels were very low against the limit.
4. Margin value = Emission Level – Limit value
5. " * ": Fundamental frequency.

| | | | |
|------------------------|----------------|------------------------------|--------------|
| CHANNEL | TX Channel 102 | DETECTOR FUNCTION | Peak (PK) |
| FREQUENCY RANGE | 1GHz ~ 40GHz | | Average (AV) |

ANTENNA POLARITY & TEST DISTANCE: HORIZONTAL AT 3 M

| NO. | FREQ. (MHz) | EMISSION LEVEL (dBuV/m) | LIMIT (dBuV/m) | MARGIN (dB) | ANTENNA HEIGHT (m) | TABLE ANGLE (Degree) | RAW VALUE (dBuV) | CORRECTION FACTOR (dB/m) |
|-----|----------------|-------------------------------|-------------------|----------------|--------------------------|----------------------------|------------------------|--------------------------------|
| 1 | 5460.00 | 49.2 PK | 74.0 | -24.8 | 1.42 H | 163 | 45.6 | 3.6 |
| 2 | 5460.00 | 38.7 AV | 54.0 | -15.3 | 1.42 H | 163 | 35.1 | 3.6 |
| 3 | #5470.00 | 52.9 PK | 68.2 | -15.3 | 1.42 H | 163 | 49.3 | 3.6 |
| 4 | *5510.00 | 97.8 PK | | | 1.42 H | 163 | 94.2 | 3.6 |
| 5 | *5510.00 | 88.6 AV | | | 1.42 H | 163 | 85.0 | 3.6 |
| 6 | 11020.00 | 46.0 PK | 74.0 | -28.0 | 2.39 H | 250 | 32.1 | 13.9 |
| 7 | 11020.00 | 35.5 AV | 54.0 | -18.5 | 2.39 H | 250 | 21.6 | 13.9 |
| 8 | #16530.00 | 45.7 PK | 68.2 | -22.5 | 1.74 H | 351 | 29.7 | 16.0 |

ANTENNA POLARITY & TEST DISTANCE: VERTICAL AT 3 M

| NO. | FREQ. (MHz) | EMISSION LEVEL (dBuV/m) | LIMIT (dBuV/m) | MARGIN (dB) | ANTENNA HEIGHT (m) | TABLE ANGLE (Degree) | RAW VALUE (dBuV) | CORRECTION FACTOR (dB/m) |
|-----|----------------|-------------------------------|-------------------|----------------|--------------------------|----------------------------|------------------------|--------------------------------|
| 1 | 5460.00 | 58.7 PK | 74.0 | -15.3 | 1.91 V | 259 | 55.1 | 3.6 |
| 2 | 5460.00 | 42.9 AV | 54.0 | -11.1 | 1.91 V | 259 | 39.3 | 3.6 |
| 3 | #5470.00 | 63.3 PK | 68.2 | -4.9 | 1.91 V | 259 | 59.7 | 3.6 |
| 4 | *5510.00 | 104.9 PK | | | 1.91 V | 259 | 101.3 | 3.6 |
| 5 | *5510.00 | 95.4 AV | | | 1.91 V | 259 | 91.8 | 3.6 |
| 6 | 11020.00 | 48.5 PK | 74.0 | -25.5 | 1.33 V | 358 | 34.6 | 13.9 |
| 7 | 11020.00 | 32.8 AV | 54.0 | -21.2 | 1.33 V | 358 | 18.9 | 13.9 |
| 8 | #16530.00 | 46.5 PK | 68.2 | -21.7 | 3.05 V | 29 | 30.5 | 16.0 |

REMARKS:

1. Emission Level(dBuV/m) = Raw Value(dBuV) + Correction Factor(dB/m)
2. Correction Factor(dB/m) = Antenna Factor(dB/m) + Cable Factor(dB) – Pre-Amplifier Factor(dB)
3. The other emission levels were very low against the limit.
4. Margin value = Emission Level – Limit value
5. " * ": Fundamental frequency.
6. " # ": The radiated frequency is out of the restricted band.

| | | | |
|------------------------|----------------|------------------------------|--------------|
| CHANNEL | TX Channel 110 | DETECTOR FUNCTION | Peak (PK) |
| FREQUENCY RANGE | 1GHz ~ 40GHz | | Average (AV) |

ANTENNA POLARITY & TEST DISTANCE: HORIZONTAL AT 3 M

| NO. | FREQ. (MHz) | EMISSION LEVEL (dBuV/m) | LIMIT (dBuV/m) | MARGIN (dB) | ANTENNA HEIGHT (m) | TABLE ANGLE (Degree) | RAW VALUE (dBuV) | CORRECTION FACTOR (dB/m) |
|-----|----------------|-------------------------------|-------------------|----------------|--------------------------|----------------------------|------------------------|--------------------------------|
| 1 | *5550.00 | 99.8 PK | | | 1.43 H | 164 | 96.1 | 3.7 |
| 2 | *5550.00 | 92.0 AV | | | 1.43 H | 164 | 88.3 | 3.7 |
| 3 | 11100.00 | 46.4 PK | 74.0 | -27.6 | 2.31 H | 274 | 32.7 | 13.7 |
| 4 | 11100.00 | 35.8 AV | 54.0 | -18.2 | 2.31 H | 274 | 22.1 | 13.7 |
| 5 | #16650.00 | 45.7 PK | 68.2 | -22.5 | 1.70 H | 359 | 29.0 | 16.7 |

ANTENNA POLARITY & TEST DISTANCE: VERTICAL AT 3 M

| NO. | FREQ. (MHz) | EMISSION LEVEL (dBuV/m) | LIMIT (dBuV/m) | MARGIN (dB) | ANTENNA HEIGHT (m) | TABLE ANGLE (Degree) | RAW VALUE (dBuV) | CORRECTION FACTOR (dB/m) |
|-----|----------------|-------------------------------|-------------------|----------------|--------------------------|----------------------------|------------------------|--------------------------------|
| 1 | *5550.00 | 107.8 PK | | | 1.88 V | 259 | 104.1 | 3.7 |
| 2 | *5550.00 | 98.4 AV | | | 1.88 V | 259 | 94.7 | 3.7 |
| 3 | 11100.00 | 48.3 PK | 74.0 | -25.7 | 1.43 V | 360 | 34.6 | 13.7 |
| 4 | 11100.00 | 33.0 AV | 54.0 | -21.0 | 1.43 V | 360 | 19.3 | 13.7 |
| 5 | #16650.00 | 46.5 PK | 68.2 | -21.7 | 3.12 V | 34 | 29.8 | 16.7 |

REMARKS:

1. Emission Level(dBuV/m) = Raw Value(dBuV) + Correction Factor(dB/m)
2. Correction Factor(dB/m) = Antenna Factor(dB/m) + Cable Factor(dB) – Pre-Amplifier Factor(dB)
3. The other emission levels were very low against the limit.
4. Margin value = Emission Level – Limit value
5. " * ": Fundamental frequency.
6. " # ": The radiated frequency is out of the restricted band.

| | | | |
|------------------------|----------------|------------------------------|--------------|
| CHANNEL | TX Channel 134 | DETECTOR FUNCTION | Peak (PK) |
| FREQUENCY RANGE | 1GHz ~ 40GHz | | Average (AV) |

ANTENNA POLARITY & TEST DISTANCE: HORIZONTAL AT 3 M

| NO. | FREQ. (MHz) | EMISSION LEVEL (dBuV/m) | LIMIT (dBuV/m) | MARGIN (dB) | ANTENNA HEIGHT (m) | TABLE ANGLE (Degree) | RAW VALUE (dBuV) | CORRECTION FACTOR (dB/m) |
|-----|----------------|-------------------------------|-------------------|----------------|--------------------------|----------------------------|------------------------|--------------------------------|
| 1 | *5670.00 | 100.3 PK | | | 1.38 H | 162 | 96.3 | 4.0 |
| 2 | *5670.00 | 92.4 AV | | | 1.38 H | 162 | 88.4 | 4.0 |
| 3 | #5725.00 | 59.6 PK | 68.2 | -8.6 | 1.38 H | 162 | 55.4 | 4.2 |
| 4 | 11340.00 | 46.2 PK | 74.0 | -27.8 | 2.39 H | 270 | 31.9 | 14.3 |
| 5 | 11340.00 | 35.8 AV | 54.0 | -18.2 | 2.39 H | 270 | 21.5 | 14.3 |
| 6 | #17010.00 | 46.2 PK | 68.2 | -22.0 | 1.67 H | 357 | 28.6 | 17.6 |

ANTENNA POLARITY & TEST DISTANCE: VERTICAL AT 3 M

| NO. | FREQ. (MHz) | EMISSION LEVEL (dBuV/m) | LIMIT (dBuV/m) | MARGIN (dB) | ANTENNA HEIGHT (m) | TABLE ANGLE (Degree) | RAW VALUE (dBuV) | CORRECTION FACTOR (dB/m) |
|-----|----------------|-------------------------------|-------------------|----------------|--------------------------|----------------------------|------------------------|--------------------------------|
| 1 | *5670.00 | 107.7 PK | | | 1.73 V | 330 | 103.7 | 4.0 |
| 2 | *5670.00 | 99.1 AV | | | 1.73 V | 330 | 95.1 | 4.0 |
| 3 | #5725.00 | 63.7 PK | 68.2 | -4.5 | 1.73 V | 330 | 59.5 | 4.2 |
| 4 | 11340.00 | 48.0 PK | 74.0 | -26.0 | 1.36 V | 360 | 33.7 | 14.3 |
| 5 | 11340.00 | 32.1 AV | 54.0 | -21.9 | 1.36 V | 360 | 17.8 | 14.3 |
| 6 | #17010.00 | 47.7 PK | 68.2 | -20.5 | 3.05 V | 19 | 30.1 | 17.6 |

REMARKS:

1. Emission Level(dBuV/m) = Raw Value(dBuV) + Correction Factor(dB/m)
2. Correction Factor(dB/m) = Antenna Factor(dB/m) + Cable Factor(dB) – Pre-Amplifier Factor(dB)
3. The other emission levels were very low against the limit.
4. Margin value = Emission Level – Limit value
5. " * ": Fundamental frequency.
6. " # ": The radiated frequency is out of the restricted band.

| | | | |
|------------------------|----------------|------------------------------|--------------|
| CHANNEL | TX Channel 142 | DETECTOR FUNCTION | Peak (PK) |
| FREQUENCY RANGE | 1GHz ~ 40GHz | | Average (AV) |

ANTENNA POLARITY & TEST DISTANCE: HORIZONTAL AT 3 M

| NO. | FREQ. (MHz) | EMISSION LEVEL (dBuV/m) | LIMIT (dBuV/m) | MARGIN (dB) | ANTENNA HEIGHT (m) | TABLE ANGLE (Degree) | RAW VALUE (dBuV) | CORRECTION FACTOR (dB/m) |
|-----|----------------|-------------------------------|-------------------|----------------|--------------------------|----------------------------|------------------------|--------------------------------|
| 1 | 5460.00 | 50.8 PK | 74.0 | -23.2 | 1.39 H | 182 | 47.2 | 3.6 |
| 2 | 5460.00 | 37.8 AV | 54.0 | -16.2 | 1.39 H | 182 | 34.2 | 3.6 |
| 3 | #5470.00 | 50.6 PK | 68.2 | -17.6 | 1.39 H | 182 | 47.0 | 3.6 |
| 4 | *5710.00 | 100.4 PK | | | 1.39 H | 182 | 96.2 | 4.2 |
| 5 | *5710.00 | 91.2 AV | | | 1.39 H | 182 | 87.0 | 4.2 |
| 6 | #5850.00 | 51.2 PK | 68.2 | -17.0 | 1.39 H | 182 | 46.7 | 4.5 |
| 7 | 11420.00 | 45.4 PK | 74.0 | -28.6 | 2.39 H | 256 | 31.2 | 14.2 |
| 8 | 11420.00 | 35.2 AV | 54.0 | -18.8 | 2.39 H | 256 | 21.0 | 14.2 |
| 9 | #17130.00 | 45.7 PK | 68.2 | -22.5 | 1.68 H | 360 | 28.2 | 17.5 |

ANTENNA POLARITY & TEST DISTANCE: VERTICAL AT 3 M

| NO. | FREQ. (MHz) | EMISSION LEVEL (dBuV/m) | LIMIT (dBuV/m) | MARGIN (dB) | ANTENNA HEIGHT (m) | TABLE ANGLE (Degree) | RAW VALUE (dBuV) | CORRECTION FACTOR (dB/m) |
|-----|----------------|-------------------------------|-------------------|----------------|--------------------------|----------------------------|------------------------|--------------------------------|
| 1 | 5460.00 | 51.4 PK | 74.0 | -22.6 | 1.72 V | 327 | 47.8 | 3.6 |
| 2 | 5460.00 | 39.7 AV | 54.0 | -14.3 | 1.72 V | 327 | 36.1 | 3.6 |
| 3 | #5470.00 | 51.7 PK | 68.2 | -16.5 | 1.72 V | 327 | 48.1 | 3.6 |
| 4 | *5710.00 | 107.1 PK | | | 1.72 V | 327 | 102.9 | 4.2 |
| 5 | *5710.00 | 98.0 AV | | | 1.72 V | 327 | 93.8 | 4.2 |
| 6 | #5850.00 | 51.3 PK | 68.2 | -16.9 | 1.72 V | 327 | 46.8 | 4.5 |
| 7 | 11420.00 | 48.0 PK | 74.0 | -26.0 | 1.42 V | 360 | 33.8 | 14.2 |
| 8 | 11420.00 | 32.5 AV | 54.0 | -21.5 | 1.42 V | 360 | 18.3 | 14.2 |
| 9 | #17130.00 | 46.9 PK | 68.2 | -21.3 | 3.11 V | 10 | 29.4 | 17.5 |

REMARKS:

1. Emission Level(dBuV/m) = Raw Value(dBuV) + Correction Factor(dB/m)
2. Correction Factor(dB/m) = Antenna Factor(dB/m) + Cable Factor(dB) – Pre-Amplifier Factor(dB)
3. The other emission levels were very low against the limit.
4. Margin value = Emission Level – Limit value
5. " * ": Fundamental frequency.
6. " # ": The radiated frequency is out of the restricted band.

| | | | |
|------------------------|----------------|------------------------------|--------------|
| CHANNEL | TX Channel 151 | DETECTOR FUNCTION | Peak (PK) |
| FREQUENCY RANGE | 1GHz ~ 40GHz | | Average (AV) |

ANTENNA POLARITY & TEST DISTANCE: HORIZONTAL AT 3 M

| NO. | FREQ. (MHz) | EMISSION LEVEL (dBuV/m) | LIMIT (dBuV/m) | MARGIN (dB) | ANTENNA HEIGHT (m) | TABLE ANGLE (Degree) | RAW VALUE (dBuV) | CORRECTION FACTOR (dB/m) |
|-----|----------------|-------------------------------|-------------------|----------------|--------------------------|----------------------------|------------------------|--------------------------------|
| 1 | #5641.90 | 49.2 PK | 68.2 | -19.0 | 1.40 H | 180 | 45.3 | 3.9 |
| 2 | *5755.00 | 100.8 PK | | | 1.40 H | 180 | 96.6 | 4.2 |
| 3 | *5755.00 | 91.4 AV | | | 1.40 H | 180 | 87.2 | 4.2 |
| 4 | #6001.71 | 48.6 PK | 68.2 | -19.6 | 1.40 H | 180 | 44.1 | 4.5 |
| 5 | 11510.00 | 45.8 PK | 74.0 | -28.2 | 2.29 H | 264 | 31.6 | 14.2 |
| 6 | 11510.00 | 35.6 AV | 54.0 | -18.4 | 2.29 H | 264 | 21.4 | 14.2 |
| 7 | #17265.00 | 45.7 PK | 68.2 | -22.5 | 1.68 H | 360 | 28.3 | 17.4 |

ANTENNA POLARITY & TEST DISTANCE: VERTICAL AT 3 M

| NO. | FREQ. (MHz) | EMISSION LEVEL (dBuV/m) | LIMIT (dBuV/m) | MARGIN (dB) | ANTENNA HEIGHT (m) | TABLE ANGLE (Degree) | RAW VALUE (dBuV) | CORRECTION FACTOR (dB/m) |
|-----|----------------|-------------------------------|-------------------|----------------|--------------------------|----------------------------|------------------------|--------------------------------|
| 1 | #5647.64 | 52.2 PK | 68.2 | -16.0 | 1.62 V | 330 | 48.3 | 3.9 |
| 2 | *5755.00 | 106.5 PK | | | 1.62 V | 330 | 102.3 | 4.2 |
| 3 | *5755.00 | 97.1 AV | | | 1.62 V | 330 | 92.9 | 4.2 |
| 4 | #5964.60 | 49.8 PK | 68.2 | -18.4 | 1.62 V | 330 | 45.3 | 4.5 |
| 5 | 11510.00 | 47.7 PK | 74.0 | -26.3 | 1.42 V | 360 | 33.5 | 14.2 |
| 6 | 11510.00 | 32.3 AV | 54.0 | -21.7 | 1.42 V | 360 | 18.1 | 14.2 |
| 7 | #17265.00 | 46.9 PK | 68.2 | -21.3 | 3.07 V | 37 | 29.5 | 17.4 |

REMARKS:

1. Emission Level(dBuV/m) = Raw Value(dBuV) + Correction Factor(dB/m)
2. Correction Factor(dB/m) = Antenna Factor(dB/m) + Cable Factor(dB) – Pre-Amplifier Factor(dB)
3. The other emission levels were very low against the limit.
4. Margin value = Emission Level – Limit value
5. " * ": Fundamental frequency.
6. " # ": The radiated frequency is out of the restricted band.

| | | | |
|------------------------|----------------|------------------------------|--------------|
| CHANNEL | TX Channel 159 | DETECTOR FUNCTION | Peak (PK) |
| FREQUENCY RANGE | 1GHz ~ 40GHz | | Average (AV) |

ANTENNA POLARITY & TEST DISTANCE: HORIZONTAL AT 3 M

| NO. | FREQ. (MHz) | EMISSION LEVEL (dBuV/m) | LIMIT (dBuV/m) | MARGIN (dB) | ANTENNA HEIGHT (m) | TABLE ANGLE (Degree) | RAW VALUE (dBuV) | CORRECTION FACTOR (dB/m) |
|-----|----------------|-------------------------------|-------------------|----------------|--------------------------|----------------------------|------------------------|--------------------------------|
| 1 | #5607.85 | 48.3 PK | 68.2 | -19.9 | 1.35 H | 191 | 44.5 | 3.8 |
| 2 | *5795.00 | 101.2 PK | | | 1.35 H | 191 | 96.9 | 4.3 |
| 3 | *5795.00 | 91.6 AV | | | 1.35 H | 191 | 87.3 | 4.3 |
| 4 | #5995.57 | 48.6 PK | 68.2 | -19.6 | 1.35 H | 191 | 44.1 | 4.5 |
| 5 | 11590.00 | 45.6 PK | 74.0 | -28.4 | 2.29 H | 269 | 31.4 | 14.2 |
| 6 | 11590.00 | 35.1 AV | 54.0 | -18.9 | 2.29 H | 269 | 20.9 | 14.2 |
| 7 | #17385.00 | 46.1 PK | 68.2 | -22.1 | 1.65 H | 356 | 28.4 | 17.7 |

ANTENNA POLARITY & TEST DISTANCE: VERTICAL AT 3 M

| NO. | FREQ. (MHz) | EMISSION LEVEL (dBuV/m) | LIMIT (dBuV/m) | MARGIN (dB) | ANTENNA HEIGHT (m) | TABLE ANGLE (Degree) | RAW VALUE (dBuV) | CORRECTION FACTOR (dB/m) |
|-----|----------------|-------------------------------|-------------------|----------------|--------------------------|----------------------------|------------------------|--------------------------------|
| 1 | #5624.23 | 50.6 PK | 68.2 | -17.6 | 1.67 V | 325 | 46.8 | 3.8 |
| 2 | *5795.00 | 106.2 PK | | | 1.67 V | 325 | 101.9 | 4.3 |
| 3 | *5795.00 | 96.6 AV | | | 1.67 V | 325 | 92.3 | 4.3 |
| 4 | #5988.21 | 49.4 PK | 68.2 | -18.8 | 1.67 V | 325 | 44.9 | 4.5 |
| 5 | 11590.00 | 47.8 PK | 74.0 | -26.2 | 1.36 V | 355 | 33.6 | 14.2 |
| 6 | 11590.00 | 32.4 AV | 54.0 | -21.6 | 1.36 V | 355 | 18.2 | 14.2 |
| 7 | #17385.00 | 47.0 PK | 68.2 | -21.2 | 3.11 V | 36 | 29.3 | 17.7 |

REMARKS:

1. Emission Level(dBuV/m) = Raw Value(dBuV) + Correction Factor(dB/m)
2. Correction Factor(dB/m) = Antenna Factor(dB/m) + Cable Factor(dB) – Pre-Amplifier Factor(dB)
3. The other emission levels were very low against the limit.
4. Margin value = Emission Level – Limit value
5. " * ": Fundamental frequency.
6. " # ": The radiated frequency is out of the restricted band.

802.11ac (VHT80)

| | | | |
|------------------------|---------------|------------------------------|--------------|
| CHANNEL | TX Channel 42 | DETECTOR FUNCTION | Peak (PK) |
| FREQUENCY RANGE | 1GHz ~ 40GHz | | Average (AV) |

ANTENNA POLARITY & TEST DISTANCE: HORIZONTAL AT 3 M

| NO. | FREQ. (MHz) | EMISSION LEVEL (dBuV/m) | LIMIT (dBuV/m) | MARGIN (dB) | ANTENNA HEIGHT (m) | TABLE ANGLE (Degree) | RAW VALUE (dBuV) | CORRECTION FACTOR (dB/m) |
|-----|----------------|-------------------------------|-------------------|----------------|--------------------------|----------------------------|------------------------|--------------------------------|
| 1 | 5150.00 | 55.2 PK | 74.0 | -18.8 | 1.40 H | 154 | 51.8 | 3.4 |
| 2 | 5150.00 | 40.8 AV | 54.0 | -13.2 | 1.40 H | 154 | 37.4 | 3.4 |
| 3 | *5210.00 | 96.2 PK | | | 1.40 H | 154 | 92.8 | 3.4 |
| 4 | *5210.00 | 87.0 AV | | | 1.40 H | 154 | 83.6 | 3.4 |
| 5 | 5350.00 | 49.5 PK | 74.0 | -24.5 | 1.40 H | 154 | 46.1 | 3.4 |
| 6 | 5350.00 | 36.5 AV | 54.0 | -17.5 | 1.40 H | 154 | 33.1 | 3.4 |
| 7 | #10420.00 | 45.3 PK | 68.2 | -22.9 | 2.38 H | 260 | 31.7 | 13.6 |
| 8 | 15630.00 | 45.2 PK | 74.0 | -28.8 | 1.68 H | 350 | 31.3 | 13.9 |
| 9 | 15630.00 | 32.4 AV | 54.0 | -21.6 | 1.68 H | 350 | 18.5 | 13.9 |

ANTENNA POLARITY & TEST DISTANCE: VERTICAL AT 3 M

| NO. | FREQ. (MHz) | EMISSION LEVEL (dBuV/m) | LIMIT (dBuV/m) | MARGIN (dB) | ANTENNA HEIGHT (m) | TABLE ANGLE (Degree) | RAW VALUE (dBuV) | CORRECTION FACTOR (dB/m) |
|-----|----------------|-------------------------------|-------------------|----------------|--------------------------|----------------------------|------------------------|--------------------------------|
| 1 | 5150.00 | 69.9 PK | 74.0 | -4.1 | 1.37 V | 176 | 66.5 | 3.4 |
| 2 | 5150.00 | 52.4 AV | 54.0 | -1.6 | 1.37 V | 176 | 49.0 | 3.4 |
| 3 | *5210.00 | 102.7 PK | | | 1.37 V | 176 | 99.3 | 3.4 |
| 4 | *5210.00 | 93.7 AV | | | 1.37 V | 176 | 90.3 | 3.4 |
| 5 | 5350.00 | 53.4 PK | 74.0 | -20.6 | 1.37 V | 176 | 50.0 | 3.4 |
| 6 | 5350.00 | 40.1 AV | 54.0 | -13.9 | 1.37 V | 176 | 36.7 | 3.4 |
| 7 | #10420.00 | 47.2 PK | 68.2 | -21.0 | 1.34 V | 360 | 33.6 | 13.6 |
| 8 | 15630.00 | 46.1 PK | 74.0 | -27.9 | 3.01 V | 11 | 32.2 | 13.9 |
| 9 | 15630.00 | 34.0 AV | 54.0 | -20.0 | 3.01 V | 11 | 20.1 | 13.9 |

REMARKS:

- Emission Level(dBuV/m) = Raw Value(dBuV) + Correction Factor(dB/m)
- Correction Factor(dB/m) = Antenna Factor(dB/m) + Cable Factor(dB) – Pre-Amplifier Factor(dB)
- The other emission levels were very low against the limit.
- Margin value = Emission Level – Limit value
- " * ": Fundamental frequency.
- " # ": The radiated frequency is out of the restricted band.

| | | | |
|------------------------|---------------|------------------------------|--------------|
| CHANNEL | TX Channel 58 | DETECTOR FUNCTION | Peak (PK) |
| FREQUENCY RANGE | 1GHz ~ 40GHz | | Average (AV) |

ANTENNA POLARITY & TEST DISTANCE: HORIZONTAL AT 3 M

| NO. | FREQ. (MHz) | EMISSION LEVEL (dBuV/m) | LIMIT (dBuV/m) | MARGIN (dB) | ANTENNA HEIGHT (m) | TABLE ANGLE (Degree) | RAW VALUE (dBuV) | CORRECTION FACTOR (dB/m) |
|-----|----------------|-------------------------------|-------------------|----------------|--------------------------|----------------------------|------------------------|--------------------------------|
| 1 | 5150.00 | 48.3 PK | 74.0 | -25.7 | 1.38 H | 168 | 44.9 | 3.4 |
| 2 | 5150.00 | 36.3 AV | 54.0 | -17.7 | 1.38 H | 168 | 32.9 | 3.4 |
| 3 | *5290.00 | 95.4 PK | | | 1.38 H | 168 | 92.1 | 3.3 |
| 4 | *5290.00 | 85.7 AV | | | 1.38 H | 168 | 82.4 | 3.3 |
| 5 | 5350.00 | 54.3 PK | 74.0 | -19.7 | 1.38 H | 168 | 50.9 | 3.4 |
| 6 | 5350.00 | 38.5 AV | 54.0 | -15.5 | 1.38 H | 168 | 35.1 | 3.4 |
| 7 | #10580.00 | 45.0 PK | 68.2 | -23.2 | 2.42 H | 254 | 31.4 | 13.6 |
| 8 | 15870.00 | 45.1 PK | 74.0 | -28.9 | 1.64 H | 336 | 31.7 | 13.4 |
| 9 | 15870.00 | 32.6 AV | 54.0 | -21.4 | 1.64 H | 336 | 19.2 | 13.4 |

ANTENNA POLARITY & TEST DISTANCE: VERTICAL AT 3 M

| NO. | FREQ. (MHz) | EMISSION LEVEL (dBuV/m) | LIMIT (dBuV/m) | MARGIN (dB) | ANTENNA HEIGHT (m) | TABLE ANGLE (Degree) | RAW VALUE (dBuV) | CORRECTION FACTOR (dB/m) |
|-----|----------------|-------------------------------|-------------------|----------------|--------------------------|----------------------------|------------------------|--------------------------------|
| 1 | 5150.00 | 52.9 PK | 74.0 | -21.1 | 1.35 V | 177 | 49.5 | 3.4 |
| 2 | 5150.00 | 39.8 AV | 54.0 | -14.2 | 1.35 V | 177 | 36.4 | 3.4 |
| 3 | *5290.00 | 102.0 PK | | | 1.35 V | 177 | 98.7 | 3.3 |
| 4 | *5290.00 | 92.0 AV | | | 1.35 V | 177 | 88.7 | 3.3 |
| 5 | 5350.00 | 70.0 PK | 74.0 | -4.0 | 1.35 V | 177 | 66.6 | 3.4 |
| 6 | 5350.00 | 52.4 AV | 54.0 | -1.6 | 1.35 V | 177 | 49.0 | 3.4 |
| 7 | #10580.00 | 47.2 PK | 68.2 | -21.0 | 1.34 V | 360 | 33.6 | 13.6 |
| 8 | 15870.00 | 46.1 PK | 74.0 | -27.9 | 3.01 V | 11 | 32.7 | 13.4 |
| 9 | 15870.00 | 34.3 AV | 54.0 | -19.7 | 3.01 V | 11 | 20.9 | 13.4 |

REMARKS:

1. Emission Level(dBuV/m) = Raw Value(dBuV) + Correction Factor(dB/m)
2. Correction Factor(dB/m) = Antenna Factor(dB/m) + Cable Factor(dB) – Pre-Amplifier Factor(dB)
3. The other emission levels were very low against the limit.
4. Margin value = Emission Level – Limit value
5. " * ": Fundamental frequency.
6. " # ": The radiated frequency is out of the restricted band.

| | | | |
|------------------------|----------------|------------------------------|--------------|
| CHANNEL | TX Channel 106 | DETECTOR FUNCTION | Peak (PK) |
| FREQUENCY RANGE | 1GHz ~ 40GHz | | Average (AV) |

ANTENNA POLARITY & TEST DISTANCE: HORIZONTAL AT 3 M

| NO. | FREQ. (MHz) | EMISSION LEVEL (dBuV/m) | LIMIT (dBuV/m) | MARGIN (dB) | ANTENNA HEIGHT (m) | TABLE ANGLE (Degree) | RAW VALUE (dBuV) | CORRECTION FACTOR (dB/m) |
|-----|----------------|-------------------------------|-------------------|----------------|--------------------------|----------------------------|------------------------|--------------------------------|
| 1 | 5460.00 | 52.4 PK | 74.0 | -21.6 | 1.41 H | 157 | 48.8 | 3.6 |
| 2 | 5460.00 | 37.7 AV | 54.0 | -16.3 | 1.41 H | 157 | 34.1 | 3.6 |
| 3 | #5470.00 | 54.5 PK | 68.2 | -13.7 | 1.41 H | 157 | 50.9 | 3.6 |
| 4 | *5530.00 | 94.1 PK | | | 1.41 H | 157 | 90.4 | 3.7 |
| 5 | *5530.00 | 84.4 AV | | | 1.41 H | 157 | 80.7 | 3.7 |
| 6 | #5725.00 | 50.0 PK | 68.2 | -18.2 | 1.41 H | 157 | 45.8 | 4.2 |
| 7 | 11060.00 | 44.9 PK | 74.0 | -29.1 | 2.40 H | 269 | 31.1 | 13.8 |
| 8 | 11060.00 | 34.4 AV | 54.0 | -19.6 | 2.40 H | 269 | 20.6 | 13.8 |
| 9 | #16590.00 | 45.3 PK | 68.2 | -22.9 | 1.63 H | 337 | 28.9 | 16.4 |

ANTENNA POLARITY & TEST DISTANCE: VERTICAL AT 3 M

| NO. | FREQ. (MHz) | EMISSION LEVEL (dBuV/m) | LIMIT (dBuV/m) | MARGIN (dB) | ANTENNA HEIGHT (m) | TABLE ANGLE (Degree) | RAW VALUE (dBuV) | CORRECTION FACTOR (dB/m) |
|-----|----------------|-------------------------------|-------------------|----------------|--------------------------|----------------------------|------------------------|--------------------------------|
| 1 | 5460.00 | 61.6 PK | 74.0 | -12.4 | 1.33 V | 171 | 58.0 | 3.6 |
| 2 | 5460.00 | 44.6 AV | 54.0 | -9.4 | 1.33 V | 171 | 41.0 | 3.6 |
| 3 | #5470.00 | 65.3 PK | 68.2 | -2.9 | 1.33 V | 171 | 61.7 | 3.6 |
| 4 | *5530.00 | 100.9 PK | | | 1.33 V | 171 | 97.2 | 3.7 |
| 5 | *5530.00 | 91.2 AV | | | 1.33 V | 171 | 87.5 | 3.7 |
| 6 | #5725.00 | 52.7 PK | 68.2 | -15.5 | 1.33 V | 171 | 48.5 | 4.2 |
| 7 | 11060.00 | 47.2 PK | 74.0 | -26.8 | 1.34 V | 360 | 33.4 | 13.8 |
| 8 | 11060.00 | 31.5 AV | 54.0 | -22.5 | 1.34 V | 360 | 17.7 | 13.8 |
| 9 | #16590.00 | 46.1 PK | 68.2 | -22.1 | 3.01 V | 11 | 29.7 | 16.4 |

REMARKS:

1. Emission Level(dBuV/m) = Raw Value(dBuV) + Correction Factor(dB/m)
2. Correction Factor(dB/m) = Antenna Factor(dB/m) + Cable Factor(dB) – Pre-Amplifier Factor(dB)
3. The other emission levels were very low against the limit.
4. Margin value = Emission Level – Limit value
5. " * ": Fundamental frequency.
6. " # ": The radiated frequency is out of the restricted band.

| | | | |
|------------------------|----------------|------------------------------|--------------|
| CHANNEL | TX Channel 122 | DETECTOR FUNCTION | Peak (PK) |
| FREQUENCY RANGE | 1GHz ~ 40GHz | | Average (AV) |

ANTENNA POLARITY & TEST DISTANCE: HORIZONTAL AT 3 M

| NO. | FREQ. (MHz) | EMISSION LEVEL (dBuV/m) | LIMIT (dBuV/m) | MARGIN (dB) | ANTENNA HEIGHT (m) | TABLE ANGLE (Degree) | RAW VALUE (dBuV) | CORRECTION FACTOR (dB/m) |
|-----|----------------|-------------------------------|-------------------|----------------|--------------------------|----------------------------|------------------------|--------------------------------|
| 1 | *5610.00 | 97.7 PK | | | 1.43 H | 170 | 93.9 | 3.8 |
| 2 | *5610.00 | 88.5 AV | | | 1.43 H | 170 | 84.7 | 3.8 |
| 3 | #5725.00 | 48.9 PK | 68.2 | -19.3 | 1.43 H | 170 | 44.7 | 4.2 |
| 4 | 11220.00 | 45.1 PK | 74.0 | -28.9 | 2.35 H | 263 | 31.3 | 13.8 |
| 5 | 11220.00 | 34.8 AV | 54.0 | -19.2 | 2.35 H | 263 | 21.0 | 13.8 |
| 6 | #16830.00 | 45.5 PK | 68.2 | -22.7 | 1.59 H | 352 | 28.3 | 17.2 |

ANTENNA POLARITY & TEST DISTANCE: VERTICAL AT 3 M

| NO. | FREQ. (MHz) | EMISSION LEVEL (dBuV/m) | LIMIT (dBuV/m) | MARGIN (dB) | ANTENNA HEIGHT (m) | TABLE ANGLE (Degree) | RAW VALUE (dBuV) | CORRECTION FACTOR (dB/m) |
|-----|----------------|-------------------------------|-------------------|----------------|--------------------------|----------------------------|------------------------|--------------------------------|
| 1 | *5610.00 | 104.5 PK | | | 1.26 V | 174 | 100.7 | 3.8 |
| 2 | *5610.00 | 95.0 AV | | | 1.26 V | 174 | 91.2 | 3.8 |
| 3 | #5725.00 | 57.4 PK | 68.2 | -10.8 | 1.26 V | 174 | 53.2 | 4.2 |
| 4 | 11220.00 | 46.9 PK | 74.0 | -27.1 | 1.30 V | 360 | 33.1 | 13.8 |
| 5 | 11220.00 | 31.3 AV | 54.0 | -22.7 | 1.30 V | 360 | 17.5 | 13.8 |
| 6 | #16830.00 | 46.2 PK | 68.2 | -22.0 | 3.05 V | 12 | 29.0 | 17.2 |

REMARKS:

1. Emission Level(dBuV/m) = Raw Value(dBuV) + Correction Factor(dB/m)
2. Correction Factor(dB/m) = Antenna Factor(dB/m) + Cable Factor(dB) – Pre-Amplifier Factor(dB)
3. The other emission levels were very low against the limit.
4. Margin value = Emission Level – Limit value
5. " * ": Fundamental frequency.
6. " # ": The radiated frequency is out of the restricted band.

| | | | |
|------------------------|----------------|------------------------------|--------------|
| CHANNEL | TX Channel 138 | DETECTOR FUNCTION | Peak (PK) |
| FREQUENCY RANGE | 1GHz ~ 40GHz | | Average (AV) |

ANTENNA POLARITY & TEST DISTANCE: HORIZONTAL AT 3 M

| NO. | FREQ. (MHz) | EMISSION LEVEL (dBuV/m) | LIMIT (dBuV/m) | MARGIN (dB) | ANTENNA HEIGHT (m) | TABLE ANGLE (Degree) | RAW VALUE (dBuV) | CORRECTION FACTOR (dB/m) |
|-----|----------------|-------------------------------|-------------------|----------------|--------------------------|----------------------------|------------------------|--------------------------------|
| 1 | 5460.00 | 50.5 PK | 74.0 | -23.5 | 1.44 H | 162 | 46.9 | 3.6 |
| 2 | 5460.00 | 37.8 AV | 54.0 | -16.2 | 1.44 H | 162 | 34.2 | 3.6 |
| 3 | #5470.00 | 50.2 PK | 68.2 | -18.0 | 1.44 H | 162 | 46.6 | 3.6 |
| 4 | *5690.00 | 98.3 PK | | | 1.44 H | 162 | 94.1 | 4.2 |
| 5 | *5690.00 | 89.2 AV | | | 1.44 H | 162 | 85.0 | 4.2 |
| 6 | #5850.00 | 51.2 PK | 68.2 | -17.0 | 1.44 H | 162 | 46.7 | 4.5 |
| 7 | 11380.00 | 44.8 PK | 74.0 | -29.2 | 2.35 H | 269 | 30.6 | 14.2 |
| 8 | 11380.00 | 34.1 AV | 54.0 | -19.9 | 2.35 H | 269 | 19.9 | 14.2 |
| 9 | #17070.00 | 45.0 PK | 68.2 | -23.2 | 1.67 H | 339 | 27.4 | 17.6 |

ANTENNA POLARITY & TEST DISTANCE: VERTICAL AT 3 M

| NO. | FREQ. (MHz) | EMISSION LEVEL (dBuV/m) | LIMIT (dBuV/m) | MARGIN (dB) | ANTENNA HEIGHT (m) | TABLE ANGLE (Degree) | RAW VALUE (dBuV) | CORRECTION FACTOR (dB/m) |
|-----|----------------|-------------------------------|-------------------|----------------|--------------------------|----------------------------|------------------------|--------------------------------|
| 1 | 5460.00 | 51.6 PK | 74.0 | -22.4 | 1.10 V | 175 | 48.0 | 3.6 |
| 2 | 5460.00 | 39.6 AV | 54.0 | -14.4 | 1.10 V | 175 | 36.0 | 3.6 |
| 3 | #5470.00 | 51.2 PK | 68.2 | -17.0 | 1.10 V | 175 | 47.6 | 3.6 |
| 4 | *5690.00 | 105.1 PK | | | 1.10 V | 175 | 100.9 | 4.2 |
| 5 | *5690.00 | 95.9 AV | | | 1.10 V | 175 | 91.7 | 4.2 |
| 6 | #5850.00 | 53.1 PK | 68.2 | -15.1 | 1.10 V | 175 | 48.6 | 4.5 |
| 7 | 11380.00 | 47.2 PK | 74.0 | -26.8 | 1.38 V | 359 | 33.0 | 14.2 |
| 8 | 11380.00 | 31.6 AV | 54.0 | -22.4 | 1.38 V | 359 | 17.4 | 14.2 |
| 9 | #17070.00 | 45.6 PK | 68.2 | -22.6 | 3.06 V | 0 | 28.0 | 17.6 |

REMARKS:

1. Emission Level(dBuV/m) = Raw Value(dBuV) + Correction Factor(dB/m)
2. Correction Factor(dB/m) = Antenna Factor(dB/m) + Cable Factor(dB) – Pre-Amplifier Factor(dB)
3. The other emission levels were very low against the limit.
4. Margin value = Emission Level – Limit value
5. " * ": Fundamental frequency.
6. " # ": The radiated frequency is out of the restricted band.

| | | | |
|------------------------|----------------|------------------------------|--------------|
| CHANNEL | TX Channel 155 | DETECTOR FUNCTION | Peak (PK) |
| FREQUENCY RANGE | 1GHz ~ 40GHz | | Average (AV) |

ANTENNA POLARITY & TEST DISTANCE: HORIZONTAL AT 3 M

| NO. | FREQ. (MHz) | EMISSION LEVEL (dBuV/m) | LIMIT (dBuV/m) | MARGIN (dB) | ANTENNA HEIGHT (m) | TABLE ANGLE (Degree) | RAW VALUE (dBuV) | CORRECTION FACTOR (dB/m) |
|-----|----------------|-------------------------------|-------------------|----------------|--------------------------|----------------------------|------------------------|--------------------------------|
| 1 | #5629.19 | 49.4 PK | 68.2 | -18.8 | 1.04 H | 192 | 45.6 | 3.8 |
| 2 | *5775.00 | 99.2 PK | | | 1.04 H | 192 | 94.9 | 4.3 |
| 3 | *5775.00 | 89.4 AV | | | 1.04 H | 192 | 85.1 | 4.3 |
| 4 | #5940.52 | 49.2 PK | 68.2 | -19.0 | 1.04 H | 192 | 44.8 | 4.4 |
| 5 | 11550.00 | 44.4 PK | 74.0 | -29.6 | 2.44 H | 255 | 30.2 | 14.2 |
| 6 | 11550.00 | 34.2 AV | 54.0 | -19.8 | 2.44 H | 255 | 20.0 | 14.2 |
| 7 | #17325.00 | 44.5 PK | 68.2 | -23.7 | 1.64 H | 346 | 27.0 | 17.5 |

ANTENNA POLARITY & TEST DISTANCE: VERTICAL AT 3 M

| NO. | FREQ. (MHz) | EMISSION LEVEL (dBuV/m) | LIMIT (dBuV/m) | MARGIN (dB) | ANTENNA HEIGHT (m) | TABLE ANGLE (Degree) | RAW VALUE (dBuV) | CORRECTION FACTOR (dB/m) |
|-----|----------------|-------------------------------|-------------------|----------------|--------------------------|----------------------------|------------------------|--------------------------------|
| 1 | #5627.64 | 57.4 PK | 68.2 | -10.8 | 1.14 V | 175 | 53.6 | 3.8 |
| 2 | *5775.00 | 104.5 PK | | | 1.14 V | 175 | 100.2 | 4.3 |
| 3 | *5775.00 | 95.1 AV | | | 1.14 V | 175 | 90.8 | 4.3 |
| 4 | #5926.54 | 48.7 PK | 68.2 | -19.5 | 1.14 V | 175 | 44.4 | 4.3 |
| 5 | 11550.00 | 47.3 PK | 74.0 | -26.7 | 1.29 V | 360 | 33.1 | 14.2 |
| 6 | 11550.00 | 31.3 AV | 54.0 | -22.7 | 1.29 V | 360 | 17.1 | 14.2 |
| 7 | #17325.00 | 46.4 PK | 68.2 | -21.8 | 2.97 V | 14 | 28.9 | 17.5 |

REMARKS:

1. Emission Level(dBuV/m) = Raw Value(dBuV) + Correction Factor(dB/m)
2. Correction Factor(dB/m) = Antenna Factor(dB/m) + Cable Factor(dB) – Pre-Amplifier Factor(dB)
3. The other emission levels were very low against the limit.
4. Margin value = Emission Level – Limit value
5. " * ": Fundamental frequency.
6. " # ": The radiated frequency is out of the restricted band.

PIFA Antenna
Above 1GHz Data:
802.11a

| | | | |
|------------------------|---------------|------------------------------|--------------|
| CHANNEL | TX Channel 36 | DETECTOR FUNCTION | Peak (PK) |
| FREQUENCY RANGE | 1GHz ~ 40GHz | | Average (AV) |

ANTENNA POLARITY & TEST DISTANCE: HORIZONTAL AT 3 M

| NO. | FREQ. (MHz) | EMISSION LEVEL (dBuV/m) | LIMIT (dBuV/m) | MARGIN (dB) | ANTENNA HEIGHT (m) | TABLE ANGLE (Degree) | RAW VALUE (dBuV) | CORRECTION FACTOR (dB/m) |
|-----|----------------|-------------------------------|-------------------|----------------|--------------------------|----------------------------|------------------------|--------------------------------|
| 1 | 5150.00 | 69.2 PK | 74.0 | -4.8 | 3.33 H | 273 | 65.8 | 3.4 |
| 2 | 5150.00 | 52.5 AV | 54.0 | -1.5 | 3.33 H | 273 | 49.1 | 3.4 |
| 3 | *5180.00 | 113.1 PK | | | 3.33 H | 273 | 109.7 | 3.4 |
| 4 | *5180.00 | 103.9 AV | | | 3.33 H | 273 | 100.5 | 3.4 |
| 5 | #10360.00 | 50.5 PK | 68.2 | -17.7 | 2.64 H | 65 | 37.0 | 13.5 |
| 6 | 15540.00 | 50.7 PK | 74.0 | -23.3 | 2.55 H | 267 | 36.9 | 13.8 |
| 7 | 15540.00 | 38.1 AV | 54.0 | -15.9 | 2.55 H | 267 | 24.3 | 13.8 |

ANTENNA POLARITY & TEST DISTANCE: VERTICAL AT 3 M

| NO. | FREQ. (MHz) | EMISSION LEVEL (dBuV/m) | LIMIT (dBuV/m) | MARGIN (dB) | ANTENNA HEIGHT (m) | TABLE ANGLE (Degree) | RAW VALUE (dBuV) | CORRECTION FACTOR (dB/m) |
|-----|----------------|-------------------------------|-------------------|----------------|--------------------------|----------------------------|------------------------|--------------------------------|
| 1 | 5150.00 | 64.3 PK | 74.0 | -9.7 | 3.13 V | 271 | 60.9 | 3.4 |
| 2 | 5150.00 | 50.8 AV | 54.0 | -3.2 | 3.13 V | 271 | 47.4 | 3.4 |
| 3 | *5180.00 | 111.7 PK | | | 3.13 V | 271 | 108.3 | 3.4 |
| 4 | *5180.00 | 102.8 AV | | | 3.13 V | 271 | 99.4 | 3.4 |
| 5 | #10360.00 | 53.0 PK | 68.2 | -15.2 | 2.15 V | 118 | 39.5 | 13.5 |
| 6 | 15540.00 | 47.1 PK | 74.0 | -26.9 | 1.75 V | 126 | 33.3 | 13.8 |
| 7 | 15540.00 | 35.5 AV | 54.0 | -18.5 | 1.75 V | 126 | 21.7 | 13.8 |

REMARKS:

1. Emission Level(dBuV/m) = Raw Value(dBuV) + Correction Factor(dB/m)
2. Correction Factor(dB/m) = Antenna Factor(dB/m) + Cable Factor(dB) – Pre-Amplifier Factor(dB)
3. The other emission levels were very low against the limit.
4. Margin value = Emission Level – Limit value
5. " * ": Fundamental frequency.
6. " # ": The radiated frequency is out of the restricted band.

| | | | |
|------------------------|---------------|------------------------------|--------------|
| CHANNEL | TX Channel 40 | DETECTOR FUNCTION | Peak (PK) |
| FREQUENCY RANGE | 1GHz ~ 40GHz | | Average (AV) |

ANTENNA POLARITY & TEST DISTANCE: HORIZONTAL AT 3 M

| NO. | FREQ. (MHz) | EMISSION LEVEL (dBuV/m) | LIMIT (dBuV/m) | MARGIN (dB) | ANTENNA HEIGHT (m) | TABLE ANGLE (Degree) | RAW VALUE (dBuV) | CORRECTION FACTOR (dB/m) |
|-----|----------------|-------------------------------|-------------------|----------------|--------------------------|----------------------------|------------------------|--------------------------------|
| 1 | 5150.00 | 55.7 PK | 74.0 | -18.3 | 3.28 H | 273 | 52.3 | 3.4 |
| 2 | 5150.00 | 41.3 AV | 54.0 | -12.7 | 3.28 H | 273 | 37.9 | 3.4 |
| 3 | *5200.00 | 113.6 PK | | | 3.28 H | 273 | 110.2 | 3.4 |
| 4 | *5200.00 | 104.3 AV | | | 3.28 H | 273 | 100.9 | 3.4 |
| 5 | #10400.00 | 50.3 PK | 68.2 | -17.9 | 2.58 H | 49 | 36.7 | 13.6 |
| 6 | 15600.00 | 50.8 PK | 74.0 | -23.2 | 2.54 H | 280 | 37.0 | 13.8 |
| 7 | 15600.00 | 38.3 AV | 54.0 | -15.7 | 2.54 H | 280 | 24.5 | 13.8 |

ANTENNA POLARITY & TEST DISTANCE: VERTICAL AT 3 M

| NO. | FREQ. (MHz) | EMISSION LEVEL (dBuV/m) | LIMIT (dBuV/m) | MARGIN (dB) | ANTENNA HEIGHT (m) | TABLE ANGLE (Degree) | RAW VALUE (dBuV) | CORRECTION FACTOR (dB/m) |
|-----|----------------|-------------------------------|-------------------|----------------|--------------------------|----------------------------|------------------------|--------------------------------|
| 1 | 5150.00 | 56.0 PK | 74.0 | -18.0 | 3.16 V | 258 | 52.6 | 3.4 |
| 2 | 5150.00 | 41.1 AV | 54.0 | -12.9 | 3.16 V | 258 | 37.7 | 3.4 |
| 3 | *5200.00 | 112.3 PK | | | 3.16 V | 258 | 108.9 | 3.4 |
| 4 | *5200.00 | 103.2 AV | | | 3.16 V | 258 | 99.8 | 3.4 |
| 5 | #10400.00 | 52.5 PK | 68.2 | -15.7 | 2.11 V | 114 | 38.9 | 13.6 |
| 6 | 15600.00 | 47.1 PK | 74.0 | -26.9 | 1.77 V | 135 | 33.3 | 13.8 |
| 7 | 15600.00 | 35.6 AV | 54.0 | -18.4 | 1.77 V | 135 | 21.8 | 13.8 |

REMARKS:

1. Emission Level(dBuV/m) = Raw Value(dBuV) + Correction Factor(dB/m)
2. Correction Factor(dB/m) = Antenna Factor(dB/m) + Cable Factor(dB) – Pre-Amplifier Factor(dB)
3. The other emission levels were very low against the limit.
4. Margin value = Emission Level – Limit value
5. " * ": Fundamental frequency.
6. " # ": The radiated frequency is out of the restricted band.

| | | | |
|------------------------|---------------|------------------------------|--------------|
| CHANNEL | TX Channel 48 | DETECTOR FUNCTION | Peak (PK) |
| FREQUENCY RANGE | 1GHz ~ 40GHz | | Average (AV) |

ANTENNA POLARITY & TEST DISTANCE: HORIZONTAL AT 3 M

| NO. | FREQ. (MHz) | EMISSION LEVEL (dBuV/m) | LIMIT (dBuV/m) | MARGIN (dB) | ANTENNA HEIGHT (m) | TABLE ANGLE (Degree) | RAW VALUE (dBuV) | CORRECTION FACTOR (dB/m) |
|-----|----------------|-------------------------------|-------------------|----------------|--------------------------|----------------------------|------------------------|--------------------------------|
| 1 | *5240.00 | 114.4 PK | | | 3.29 H | 273 | 111.1 | 3.3 |
| 2 | *5240.00 | 105.1 AV | | | 3.29 H | 273 | 101.8 | 3.3 |
| 3 | 5350.00 | 53.7 PK | 74.0 | -20.3 | 3.29 H | 273 | 50.3 | 3.4 |
| 4 | 5350.00 | 42.4 AV | 54.0 | -11.6 | 3.29 H | 273 | 39.0 | 3.4 |
| 5 | #10480.00 | 50.2 PK | 68.2 | -18.0 | 2.60 H | 36 | 36.4 | 13.8 |
| 6 | 15720.00 | 51.1 PK | 74.0 | -22.9 | 2.50 H | 276 | 37.3 | 13.8 |
| 7 | 15720.00 | 38.3 AV | 54.0 | -15.7 | 2.50 H | 276 | 24.5 | 13.8 |

ANTENNA POLARITY & TEST DISTANCE: VERTICAL AT 3 M

| NO. | FREQ. (MHz) | EMISSION LEVEL (dBuV/m) | LIMIT (dBuV/m) | MARGIN (dB) | ANTENNA HEIGHT (m) | TABLE ANGLE (Degree) | RAW VALUE (dBuV) | CORRECTION FACTOR (dB/m) |
|-----|----------------|-------------------------------|-------------------|----------------|--------------------------|----------------------------|------------------------|--------------------------------|
| 1 | *5240.00 | 113.2 PK | | | 3.11 V | 275 | 109.9 | 3.3 |
| 2 | *5240.00 | 104.1 AV | | | 3.11 V | 275 | 100.8 | 3.3 |
| 3 | 5350.00 | 51.8 PK | 74.0 | -22.2 | 3.11 V | 275 | 48.4 | 3.4 |
| 4 | 5350.00 | 40.4 AV | 54.0 | -13.6 | 3.11 V | 275 | 37.0 | 3.4 |
| 5 | #10480.00 | 52.4 PK | 68.2 | -15.8 | 2.13 V | 112 | 38.6 | 13.8 |
| 6 | 15720.00 | 47.1 PK | 74.0 | -26.9 | 1.79 V | 124 | 33.3 | 13.8 |
| 7 | 15720.00 | 35.7 AV | 54.0 | -18.3 | 1.79 V | 124 | 21.9 | 13.8 |

REMARKS:

1. Emission Level(dBuV/m) = Raw Value(dBuV) + Correction Factor(dB/m)
2. Correction Factor(dB/m) = Antenna Factor(dB/m) + Cable Factor(dB) – Pre-Amplifier Factor(dB)
3. The other emission levels were very low against the limit.
4. Margin value = Emission Level – Limit value
5. " * ": Fundamental frequency.
6. " # ": The radiated frequency is out of the restricted band.

| | | | |
|------------------------|---------------|------------------------------|--------------|
| CHANNEL | TX Channel 52 | DETECTOR FUNCTION | Peak (PK) |
| FREQUENCY RANGE | 1GHz ~ 40GHz | | Average (AV) |

ANTENNA POLARITY & TEST DISTANCE: HORIZONTAL AT 3 M

| NO. | FREQ. (MHz) | EMISSION LEVEL (dBuV/m) | LIMIT (dBuV/m) | MARGIN (dB) | ANTENNA HEIGHT (m) | TABLE ANGLE (Degree) | RAW VALUE (dBuV) | CORRECTION FACTOR (dB/m) |
|-----|----------------|-------------------------------|-------------------|----------------|--------------------------|----------------------------|------------------------|--------------------------------|
| 1 | 5150.00 | 51.4 PK | 74.0 | -22.6 | 3.21 H | 273 | 48.0 | 3.4 |
| 2 | 5150.00 | 39.7 AV | 54.0 | -14.3 | 3.21 H | 273 | 36.3 | 3.4 |
| 3 | *5260.00 | 114.7 PK | | | 3.21 H | 273 | 111.5 | 3.2 |
| 4 | *5260.00 | 105.0 AV | | | 3.21 H | 273 | 101.8 | 3.2 |
| 5 | 5350.00 | 53.5 PK | 74.0 | -20.5 | 3.21 H | 273 | 50.1 | 3.4 |
| 6 | 5350.00 | 42.4 AV | 54.0 | -11.6 | 3.21 H | 273 | 39.0 | 3.4 |
| 7 | #10520.00 | 49.7 PK | 68.2 | -18.5 | 2.64 H | 37 | 35.8 | 13.9 |
| 8 | 15780.00 | 51.2 PK | 74.0 | -22.8 | 2.56 H | 283 | 37.5 | 13.7 |
| 9 | 15780.00 | 38.6 AV | 54.0 | -15.4 | 2.56 H | 283 | 24.9 | 13.7 |

ANTENNA POLARITY & TEST DISTANCE: VERTICAL AT 3 M

| NO. | FREQ. (MHz) | EMISSION LEVEL (dBuV/m) | LIMIT (dBuV/m) | MARGIN (dB) | ANTENNA HEIGHT (m) | TABLE ANGLE (Degree) | RAW VALUE (dBuV) | CORRECTION FACTOR (dB/m) |
|-----|----------------|-------------------------------|-------------------|----------------|--------------------------|----------------------------|------------------------|--------------------------------|
| 1 | 5150.00 | 51.8 PK | 74.0 | -22.2 | 3.17 V | 279 | 48.4 | 3.4 |
| 2 | 5150.00 | 39.6 AV | 54.0 | -14.4 | 3.17 V | 279 | 36.2 | 3.4 |
| 3 | *5260.00 | 113.1 PK | | | 3.17 V | 279 | 109.9 | 3.2 |
| 4 | *5260.00 | 103.8 AV | | | 3.17 V | 279 | 100.6 | 3.2 |
| 5 | 5350.00 | 53.3 PK | 74.0 | -20.7 | 3.17 V | 279 | 49.9 | 3.4 |
| 6 | 5350.00 | 41.2 AV | 54.0 | -12.8 | 3.17 V | 279 | 37.8 | 3.4 |
| 7 | #10520.00 | 52.1 PK | 68.2 | -16.1 | 2.11 V | 122 | 38.2 | 13.9 |
| 8 | 15780.00 | 47.4 PK | 74.0 | -26.6 | 1.78 V | 135 | 33.7 | 13.7 |
| 9 | 15780.00 | 36.0 AV | 54.0 | -18.0 | 1.78 V | 135 | 22.3 | 13.7 |

REMARKS:

1. Emission Level(dBuV/m) = Raw Value(dBuV) + Correction Factor(dB/m)
2. Correction Factor(dB/m) = Antenna Factor(dB/m) + Cable Factor(dB) – Pre-Amplifier Factor(dB)
3. The other emission levels were very low against the limit.
4. Margin value = Emission Level – Limit value
5. " * ": Fundamental frequency.
6. " # ": The radiated frequency is out of the restricted band.

| | | | |
|------------------------|---------------|------------------------------|--------------|
| CHANNEL | TX Channel 60 | DETECTOR FUNCTION | Peak (PK) |
| FREQUENCY RANGE | 1GHz ~ 40GHz | | Average (AV) |

ANTENNA POLARITY & TEST DISTANCE: HORIZONTAL AT 3 M

| NO. | FREQ. (MHz) | EMISSION LEVEL (dBuV/m) | LIMIT (dBuV/m) | MARGIN (dB) | ANTENNA HEIGHT (m) | TABLE ANGLE (Degree) | RAW VALUE (dBuV) | CORRECTION FACTOR (dB/m) |
|-----|----------------|-------------------------------|-------------------|----------------|--------------------------|----------------------------|------------------------|--------------------------------|
| 1 | *5300.00 | 115.5 PK | | | 3.24 H | 274 | 112.2 | 3.3 |
| 2 | *5300.00 | 105.5 AV | | | 3.24 H | 274 | 102.2 | 3.3 |
| 3 | 5350.00 | 61.1 PK | 74.0 | -12.9 | 3.24 H | 274 | 57.7 | 3.4 |
| 4 | 5350.00 | 45.0 AV | 54.0 | -9.0 | 3.24 H | 274 | 41.6 | 3.4 |
| 5 | 10600.00 | 49.7 PK | 74.0 | -24.3 | 2.59 H | 59 | 36.2 | 13.5 |
| 6 | 10600.00 | 38.3 AV | 54.0 | -15.7 | 2.59 H | 59 | 24.8 | 13.5 |
| 7 | 15900.00 | 51.4 PK | 74.0 | -22.6 | 2.50 H | 269 | 38.1 | 13.3 |
| 8 | 15900.00 | 38.6 AV | 54.0 | -15.4 | 2.50 H | 269 | 25.3 | 13.3 |

ANTENNA POLARITY & TEST DISTANCE: VERTICAL AT 3 M

| NO. | FREQ. (MHz) | EMISSION LEVEL (dBuV/m) | LIMIT (dBuV/m) | MARGIN (dB) | ANTENNA HEIGHT (m) | TABLE ANGLE (Degree) | RAW VALUE (dBuV) | CORRECTION FACTOR (dB/m) |
|-----|----------------|-------------------------------|-------------------|----------------|--------------------------|----------------------------|------------------------|--------------------------------|
| 1 | *5300.00 | 114.3 PK | | | 3.09 V | 258 | 111.0 | 3.3 |
| 2 | *5300.00 | 104.1 AV | | | 3.09 V | 258 | 100.8 | 3.3 |
| 3 | 5350.00 | 53.7 PK | 74.0 | -20.3 | 3.09 V | 258 | 50.3 | 3.4 |
| 4 | 5350.00 | 39.9 AV | 54.0 | -14.1 | 3.09 V | 258 | 36.5 | 3.4 |
| 5 | 10600.00 | 52.6 PK | 74.0 | -21.4 | 2.13 V | 128 | 39.1 | 13.5 |
| 6 | 10600.00 | 38.8 AV | 54.0 | -15.2 | 2.13 V | 128 | 25.3 | 13.5 |
| 7 | 15900.00 | 47.6 PK | 74.0 | -26.4 | 1.78 V | 147 | 34.3 | 13.3 |
| 8 | 15900.00 | 36.1 AV | 54.0 | -17.9 | 1.78 V | 147 | 22.8 | 13.3 |

REMARKS:

1. Emission Level(dBuV/m) = Raw Value(dBuV) + Correction Factor(dB/m)
2. Correction Factor(dB/m) = Antenna Factor(dB/m) + Cable Factor(dB) – Pre-Amplifier Factor(dB)
3. The other emission levels were very low against the limit.
4. Margin value = Emission Level – Limit value
5. " * ": Fundamental frequency.

| | | | |
|------------------------|---------------|------------------------------|--------------|
| CHANNEL | TX Channel 64 | DETECTOR FUNCTION | Peak (PK) |
| FREQUENCY RANGE | 1GHz ~ 40GHz | | Average (AV) |

ANTENNA POLARITY & TEST DISTANCE: HORIZONTAL AT 3 M

| NO. | FREQ. (MHz) | EMISSION LEVEL (dBuV/m) | LIMIT (dBuV/m) | MARGIN (dB) | ANTENNA HEIGHT (m) | TABLE ANGLE (Degree) | RAW VALUE (dBuV) | CORRECTION FACTOR (dB/m) |
|-----|----------------|-------------------------------|-------------------|----------------|--------------------------|----------------------------|------------------------|--------------------------------|
| 1 | *5320.00 | 114.6 PK | | | 3.23 H | 272 | 111.3 | 3.3 |
| 2 | *5320.00 | 104.3 AV | | | 3.23 H | 272 | 101.0 | 3.3 |
| 3 | 5350.00 | 67.5 PK | 74.0 | -6.5 | 3.23 H | 272 | 64.1 | 3.4 |
| 4 | 5350.00 | 52.5 AV | 54.0 | -1.5 | 3.23 H | 272 | 49.1 | 3.4 |
| 5 | 10640.00 | 49.9 PK | 74.0 | -24.1 | 2.60 H | 64 | 36.2 | 13.7 |
| 6 | 10640.00 | 38.3 AV | 54.0 | -15.7 | 2.60 H | 64 | 24.6 | 13.7 |
| 7 | 15960.00 | 50.6 PK | 74.0 | -23.4 | 2.59 H | 295 | 37.0 | 13.6 |
| 8 | 15960.00 | 38.0 AV | 54.0 | -16.0 | 2.59 H | 295 | 24.4 | 13.6 |

ANTENNA POLARITY & TEST DISTANCE: VERTICAL AT 3 M

| NO. | FREQ. (MHz) | EMISSION LEVEL (dBuV/m) | LIMIT (dBuV/m) | MARGIN (dB) | ANTENNA HEIGHT (m) | TABLE ANGLE (Degree) | RAW VALUE (dBuV) | CORRECTION FACTOR (dB/m) |
|-----|----------------|-------------------------------|-------------------|----------------|--------------------------|----------------------------|------------------------|--------------------------------|
| 1 | *5320.00 | 113.2 PK | | | 3.09 V | 281 | 109.9 | 3.3 |
| 2 | *5320.00 | 103.1 AV | | | 3.09 V | 281 | 99.8 | 3.3 |
| 3 | 5350.00 | 66.4 PK | 74.0 | -7.6 | 3.09 V | 281 | 63.0 | 3.4 |
| 4 | 5350.00 | 48.2 AV | 54.0 | -5.8 | 3.09 V | 281 | 44.8 | 3.4 |
| 5 | 10640.00 | 52.0 PK | 74.0 | -22.0 | 2.11 V | 120 | 38.3 | 13.7 |
| 6 | 10640.00 | 38.6 AV | 54.0 | -15.4 | 2.11 V | 120 | 24.9 | 13.7 |
| 7 | 15960.00 | 47.0 PK | 74.0 | -27.0 | 1.78 V | 129 | 33.4 | 13.6 |
| 8 | 15960.00 | 35.3 AV | 54.0 | -18.7 | 1.78 V | 129 | 21.7 | 13.6 |

REMARKS:

1. Emission Level(dBuV/m) = Raw Value(dBuV) + Correction Factor(dB/m)
2. Correction Factor(dB/m) = Antenna Factor(dB/m) + Cable Factor(dB) – Pre-Amplifier Factor(dB)
3. The other emission levels were very low against the limit.
4. Margin value = Emission Level – Limit value
5. " * ": Fundamental frequency.

| | | | |
|------------------------|----------------|------------------------------|--------------|
| CHANNEL | TX Channel 100 | DETECTOR FUNCTION | Peak (PK) |
| FREQUENCY RANGE | 1GHz ~ 40GHz | | Average (AV) |

ANTENNA POLARITY & TEST DISTANCE: HORIZONTAL AT 3 M

| NO. | FREQ. (MHz) | EMISSION LEVEL (dBuV/m) | LIMIT (dBuV/m) | MARGIN (dB) | ANTENNA HEIGHT (m) | TABLE ANGLE (Degree) | RAW VALUE (dBuV) | CORRECTION FACTOR (dB/m) |
|----------|-----------------|-------------------------------|-------------------|----------------|--------------------------|----------------------------|------------------------|--------------------------------|
| 1 | 5460.00 | 58.3 PK | 74.0 | -15.7 | 3.22 H | 274 | 54.7 | 3.6 |
| 2 | 5460.00 | 41.1 AV | 54.0 | -12.9 | 3.22 H | 274 | 37.5 | 3.6 |
| 3 | #5470.00 | 66.7 PK | 68.2 | -1.5 | 3.22 H | 274 | 63.1 | 3.6 |
| 4 | *5500.00 | 112.7 PK | | | 3.22 H | 274 | 109.0 | 3.7 |
| 5 | *5500.00 | 102.2 AV | | | 3.22 H | 274 | 98.5 | 3.7 |
| 6 | 11000.00 | 50.0 PK | 74.0 | -24.0 | 2.55 H | 51 | 36.0 | 14.0 |
| 7 | 11000.00 | 38.7 AV | 54.0 | -15.3 | 2.55 H | 51 | 24.7 | 14.0 |
| 8 | #16500.00 | 50.5 PK | 68.2 | -17.7 | 2.57 H | 292 | 34.7 | 15.8 |

ANTENNA POLARITY & TEST DISTANCE: VERTICAL AT 3 M

| NO. | FREQ. (MHz) | EMISSION LEVEL (dBuV/m) | LIMIT (dBuV/m) | MARGIN (dB) | ANTENNA HEIGHT (m) | TABLE ANGLE (Degree) | RAW VALUE (dBuV) | CORRECTION FACTOR (dB/m) |
|-----|----------------|-------------------------------|-------------------|----------------|--------------------------|----------------------------|------------------------|--------------------------------|
| 1 | 5460.00 | 50.5 PK | 74.0 | -23.5 | 3.09 V | 285 | 46.9 | 3.6 |
| 2 | 5460.00 | 38.2 AV | 54.0 | -15.8 | 3.09 V | 285 | 34.6 | 3.6 |
| 3 | #5470.00 | 53.8 PK | 68.2 | -14.4 | 3.09 V | 285 | 50.2 | 3.6 |
| 4 | *5500.00 | 111.3 PK | | | 3.09 V | 285 | 107.6 | 3.7 |
| 5 | *5500.00 | 101.4 AV | | | 3.09 V | 285 | 97.7 | 3.7 |
| 6 | 11000.00 | 53.2 PK | 74.0 | -20.8 | 2.09 V | 120 | 39.2 | 14.0 |
| 7 | 11000.00 | 39.3 AV | 54.0 | -14.7 | 2.09 V | 120 | 25.3 | 14.0 |
| 8 | #16500.00 | 47.5 PK | 68.2 | -20.7 | 1.74 V | 144 | 31.7 | 15.8 |

REMARKS:

1. Emission Level(dBuV/m) = Raw Value(dBuV) + Correction Factor(dB/m)
2. Correction Factor(dB/m) = Antenna Factor(dB/m) + Cable Factor(dB) – Pre-Amplifier Factor(dB)
3. The other emission levels were very low against the limit.
4. Margin value = Emission Level – Limit value
5. " * ": Fundamental frequency.
6. " # ": The radiated frequency is out of the restricted band.

| | | | |
|------------------------|----------------|------------------------------|--------------|
| CHANNEL | TX Channel 116 | DETECTOR FUNCTION | Peak (PK) |
| FREQUENCY RANGE | 1GHz ~ 40GHz | | Average (AV) |

ANTENNA POLARITY & TEST DISTANCE: HORIZONTAL AT 3 M

| NO. | FREQ. (MHz) | EMISSION LEVEL (dBuV/m) | LIMIT (dBuV/m) | MARGIN (dB) | ANTENNA HEIGHT (m) | TABLE ANGLE (Degree) | RAW VALUE (dBuV) | CORRECTION FACTOR (dB/m) |
|-----|----------------|-------------------------------|-------------------|----------------|--------------------------|----------------------------|------------------------|--------------------------------|
| 1 | *5580.00 | 114.0 PK | | | 3.00 H | 273 | 110.2 | 3.8 |
| 2 | *5580.00 | 104.0 AV | | | 3.00 H | 273 | 100.2 | 3.8 |
| 3 | 11160.00 | 50.3 PK | 74.0 | -23.7 | 2.53 H | 51 | 36.6 | 13.7 |
| 4 | 11160.00 | 39.0 AV | 54.0 | -15.0 | 2.53 H | 51 | 25.3 | 13.7 |
| 5 | #16740.00 | 51.3 PK | 68.2 | -16.9 | 2.54 H | 290 | 34.3 | 17.0 |

ANTENNA POLARITY & TEST DISTANCE: VERTICAL AT 3 M

| NO. | FREQ. (MHz) | EMISSION LEVEL (dBuV/m) | LIMIT (dBuV/m) | MARGIN (dB) | ANTENNA HEIGHT (m) | TABLE ANGLE (Degree) | RAW VALUE (dBuV) | CORRECTION FACTOR (dB/m) |
|-----|----------------|-------------------------------|-------------------|----------------|--------------------------|----------------------------|------------------------|--------------------------------|
| 1 | *5580.00 | 112.8 PK | | | 3.07 V | 259 | 109.0 | 3.8 |
| 2 | *5580.00 | 103.1 AV | | | 3.07 V | 259 | 99.3 | 3.8 |
| 3 | 11160.00 | 52.2 PK | 74.0 | -21.8 | 2.07 V | 125 | 38.5 | 13.7 |
| 4 | 11160.00 | 38.5 AV | 54.0 | -15.5 | 2.07 V | 125 | 24.8 | 13.7 |
| 5 | #16740.00 | 47.6 PK | 68.2 | -20.6 | 1.75 V | 124 | 30.6 | 17.0 |

REMARKS:

1. Emission Level(dBuV/m) = Raw Value(dBuV) + Correction Factor(dB/m)
2. Correction Factor(dB/m) = Antenna Factor(dB/m) + Cable Factor(dB) – Pre-Amplifier Factor(dB)
3. The other emission levels were very low against the limit.
4. Margin value = Emission Level – Limit value
5. " * ": Fundamental frequency.
6. " # ": The radiated frequency is out of the restricted band.

| | | | |
|------------------------|----------------|------------------------------|--------------|
| CHANNEL | TX Channel 140 | DETECTOR FUNCTION | Peak (PK) |
| FREQUENCY RANGE | 1GHz ~ 40GHz | | Average (AV) |

ANTENNA POLARITY & TEST DISTANCE: HORIZONTAL AT 3 M

| NO. | FREQ. (MHz) | EMISSION LEVEL (dBuV/m) | LIMIT (dBuV/m) | MARGIN (dB) | ANTENNA HEIGHT (m) | TABLE ANGLE (Degree) | RAW VALUE (dBuV) | CORRECTION FACTOR (dB/m) |
|-----|----------------|-------------------------------|-------------------|----------------|--------------------------|----------------------------|------------------------|--------------------------------|
| 1 | *5700.00 | 111.5 PK | | | 3.00 H | 274 | 107.3 | 4.2 |
| 2 | *5700.00 | 101.8 AV | | | 3.00 H | 274 | 97.6 | 4.2 |
| 3 | #5725.00 | 66.6 PK | 68.2 | -1.6 | 3.00 H | 274 | 62.4 | 4.2 |
| 4 | 11400.00 | 50.2 PK | 74.0 | -23.8 | 2.54 H | 45 | 35.9 | 14.3 |
| 5 | 11400.00 | 38.4 AV | 54.0 | -15.6 | 2.54 H | 45 | 24.1 | 14.3 |
| 6 | #17100.00 | 50.5 PK | 68.2 | -17.7 | 2.49 H | 292 | 32.8 | 17.7 |

ANTENNA POLARITY & TEST DISTANCE: VERTICAL AT 3 M

| NO. | FREQ. (MHz) | EMISSION LEVEL (dBuV/m) | LIMIT (dBuV/m) | MARGIN (dB) | ANTENNA HEIGHT (m) | TABLE ANGLE (Degree) | RAW VALUE (dBuV) | CORRECTION FACTOR (dB/m) |
|-----|----------------|-------------------------------|-------------------|----------------|--------------------------|----------------------------|------------------------|--------------------------------|
| 1 | *5700.00 | 110.3 PK | | | 3.13 V | 278 | 106.1 | 4.2 |
| 2 | *5700.00 | 100.2 AV | | | 3.13 V | 278 | 96.0 | 4.2 |
| 3 | #5725.00 | 52.1 PK | 68.2 | -16.1 | 3.13 V | 278 | 47.9 | 4.2 |
| 4 | 11400.00 | 52.2 PK | 74.0 | -21.8 | 2.16 V | 98 | 37.9 | 14.3 |
| 5 | 11400.00 | 38.8 AV | 54.0 | -15.2 | 2.16 V | 98 | 24.5 | 14.3 |
| 6 | #17100.00 | 46.9 PK | 68.2 | -21.3 | 1.77 V | 143 | 29.2 | 17.7 |

REMARKS:

1. Emission Level(dBuV/m) = Raw Value(dBuV) + Correction Factor(dB/m)
2. Correction Factor(dB/m) = Antenna Factor(dB/m) + Cable Factor(dB) – Pre-Amplifier Factor(dB)
3. The other emission levels were very low against the limit.
4. Margin value = Emission Level – Limit value
5. " * ": Fundamental frequency.
6. " # ": The radiated frequency is out of the restricted band.

| | | | |
|------------------------|----------------|------------------------------|--------------|
| CHANNEL | TX Channel 144 | DETECTOR FUNCTION | Peak (PK) |
| FREQUENCY RANGE | 1GHz ~ 40GHz | | Average (AV) |

ANTENNA POLARITY & TEST DISTANCE: HORIZONTAL AT 3 M

| NO. | FREQ. (MHz) | EMISSION LEVEL (dBuV/m) | LIMIT (dBuV/m) | MARGIN (dB) | ANTENNA HEIGHT (m) | TABLE ANGLE (Degree) | RAW VALUE (dBuV) | CORRECTION FACTOR (dB/m) |
|-----|----------------|-------------------------------|-------------------|----------------|--------------------------|----------------------------|------------------------|--------------------------------|
| 1 | 5460.00 | 50.1 PK | 74.0 | -23.9 | 3.02 H | 260 | 46.5 | 3.6 |
| 2 | 5460.00 | 39.1 AV | 54.0 | -14.9 | 3.02 H | 260 | 35.5 | 3.6 |
| 3 | #5470.00 | 50.2 PK | 68.2 | -18.0 | 3.02 H | 260 | 46.6 | 3.6 |
| 4 | *5720.00 | 113.6 PK | | | 3.02 H | 260 | 109.4 | 4.2 |
| 5 | *5720.00 | 104.0 AV | | | 3.02 H | 260 | 99.8 | 4.2 |
| 6 | #5850.00 | 52.3 PK | 68.2 | -15.9 | 3.02 H | 260 | 47.8 | 4.5 |
| 7 | 11440.00 | 51.0 PK | 74.0 | -23.0 | 2.63 H | 38 | 36.7 | 14.3 |
| 8 | 11440.00 | 39.2 AV | 54.0 | -14.8 | 2.63 H | 38 | 24.9 | 14.3 |
| 9 | #17160.00 | 50.8 PK | 68.2 | -17.4 | 2.60 H | 295 | 33.3 | 17.5 |

ANTENNA POLARITY & TEST DISTANCE: VERTICAL AT 3 M

| NO. | FREQ. (MHz) | EMISSION LEVEL (dBuV/m) | LIMIT (dBuV/m) | MARGIN (dB) | ANTENNA HEIGHT (m) | TABLE ANGLE (Degree) | RAW VALUE (dBuV) | CORRECTION FACTOR (dB/m) |
|-----|----------------|-------------------------------|-------------------|----------------|--------------------------|----------------------------|------------------------|--------------------------------|
| 1 | 5460.00 | 49.2 PK | 74.0 | -24.8 | 3.08 V | 269 | 45.6 | 3.6 |
| 2 | 5460.00 | 38.1 AV | 54.0 | -15.9 | 3.08 V | 269 | 34.5 | 3.6 |
| 3 | #5470.00 | 50.0 PK | 68.2 | -18.2 | 3.08 V | 269 | 46.4 | 3.6 |
| 4 | *5720.00 | 112.3 PK | | | 3.08 V | 269 | 108.1 | 4.2 |
| 5 | *5720.00 | 103.1 AV | | | 3.08 V | 269 | 98.9 | 4.2 |
| 6 | #5850.00 | 51.2 PK | 68.2 | -17.0 | 3.08 V | 269 | 46.7 | 4.5 |
| 7 | 11440.00 | 53.0 PK | 74.0 | -21.0 | 2.09 V | 125 | 38.7 | 14.3 |
| 8 | 11440.00 | 39.1 AV | 54.0 | -14.9 | 2.09 V | 125 | 24.8 | 14.3 |
| 9 | #17160.00 | 46.9 PK | 68.2 | -21.3 | 1.83 V | 142 | 29.4 | 17.5 |

REMARKS:

1. Emission Level(dBuV/m) = Raw Value(dBuV) + Correction Factor(dB/m)
2. Correction Factor(dB/m) = Antenna Factor(dB/m) + Cable Factor(dB) – Pre-Amplifier Factor(dB)
3. The other emission levels were very low against the limit.
4. Margin value = Emission Level – Limit value
5. " * ": Fundamental frequency.
6. " # ": The radiated frequency is out of the restricted band.

| | | | |
|------------------------|----------------|------------------------------|--------------|
| CHANNEL | TX Channel 149 | DETECTOR FUNCTION | Peak (PK) |
| FREQUENCY RANGE | 1GHz ~ 40GHz | | Average (AV) |

ANTENNA POLARITY & TEST DISTANCE: HORIZONTAL AT 3 M

| NO. | FREQ. (MHz) | EMISSION LEVEL (dBuV/m) | LIMIT (dBuV/m) | MARGIN (dB) | ANTENNA HEIGHT (m) | TABLE ANGLE (Degree) | RAW VALUE (dBuV) | CORRECTION FACTOR (dB/m) |
|-----|----------------|-------------------------------|-------------------|----------------|--------------------------|----------------------------|------------------------|--------------------------------|
| 1 | #5642.65 | 52.2 PK | 68.2 | -16.0 | 3.04 H | 273 | 48.3 | 3.9 |
| 2 | *5745.00 | 113.4 PK | | | 3.04 H | 273 | 109.2 | 4.2 |
| 3 | *5745.00 | 103.2 AV | | | 3.04 H | 273 | 99.0 | 4.2 |
| 4 | #5940.03 | 50.2 PK | 68.2 | -18.0 | 3.04 H | 273 | 45.8 | 4.4 |
| 5 | 11490.00 | 59.2 PK | 74.0 | -14.8 | 1.56 H | 73 | 44.9 | 14.3 |
| 6 | 11490.00 | 43.5 AV | 54.0 | -10.5 | 1.56 H | 73 | 29.2 | 14.3 |
| 7 | #17235.00 | 50.9 PK | 68.2 | -17.3 | 2.50 H | 283 | 33.6 | 17.3 |

ANTENNA POLARITY & TEST DISTANCE: VERTICAL AT 3 M

| NO. | FREQ. (MHz) | EMISSION LEVEL (dBuV/m) | LIMIT (dBuV/m) | MARGIN (dB) | ANTENNA HEIGHT (m) | TABLE ANGLE (Degree) | RAW VALUE (dBuV) | CORRECTION FACTOR (dB/m) |
|-----|----------------|-------------------------------|-------------------|----------------|--------------------------|----------------------------|------------------------|--------------------------------|
| 1 | #5588.56 | 51.3 PK | 68.2 | -16.9 | 3.00 V | 265 | 47.5 | 3.8 |
| 2 | *5745.00 | 110.2 PK | | | 3.00 V | 265 | 106.0 | 4.2 |
| 3 | *5745.00 | 100.4 AV | | | 3.00 V | 265 | 96.2 | 4.2 |
| 4 | #5998.28 | 50.1 PK | 68.2 | -18.1 | 3.00 V | 265 | 45.6 | 4.5 |
| 5 | 11490.00 | 59.3 PK | 74.0 | -14.7 | 3.49 V | 71 | 45.0 | 14.3 |
| 6 | 11490.00 | 44.6 AV | 54.0 | -9.4 | 3.49 V | 71 | 30.3 | 14.3 |
| 7 | #17235.00 | 51.6 PK | 68.2 | -16.6 | 1.81 V | 141 | 34.3 | 17.3 |

REMARKS:

- Emission Level(dBuV/m) = Raw Value(dBuV) + Correction Factor(dB/m)
- Correction Factor(dB/m) = Antenna Factor(dB/m) + Cable Factor(dB) – Pre-Amplifier Factor(dB)
- The other emission levels were very low against the limit.
- Margin value = Emission Level – Limit value
- " * ": Fundamental frequency.
- " # ": The radiated frequency is out of the restricted band.

| | | | |
|------------------------|----------------|------------------------------|--------------|
| CHANNEL | TX Channel 157 | DETECTOR FUNCTION | Peak (PK) |
| FREQUENCY RANGE | 1GHz ~ 40GHz | | Average (AV) |

ANTENNA POLARITY & TEST DISTANCE: HORIZONTAL AT 3 M

| NO. | FREQ. (MHz) | EMISSION LEVEL (dBuV/m) | LIMIT (dBuV/m) | MARGIN (dB) | ANTENNA HEIGHT (m) | TABLE ANGLE (Degree) | RAW VALUE (dBuV) | CORRECTION FACTOR (dB/m) |
|-----|----------------|-------------------------------|-------------------|----------------|--------------------------|----------------------------|------------------------|--------------------------------|
| 1 | #5624.66 | 54.5 PK | 68.2 | -13.7 | 3.06 H | 285 | 50.7 | 3.8 |
| 2 | *5785.00 | 113.0 PK | | | 3.06 H | 285 | 108.7 | 4.3 |
| 3 | *5785.00 | 102.9 AV | | | 3.06 H | 285 | 98.6 | 4.3 |
| 4 | #5946.83 | 53.9 PK | 68.2 | -14.3 | 3.06 H | 285 | 49.5 | 4.4 |
| 5 | 11570.00 | 58.9 PK | 74.0 | -15.1 | 1.51 H | 77 | 44.8 | 14.1 |
| 6 | 11570.00 | 43.0 AV | 54.0 | -11.0 | 1.51 H | 77 | 28.9 | 14.1 |
| 7 | #17355.00 | 51.5 PK | 68.2 | -16.7 | 2.53 H | 277 | 33.9 | 17.6 |

ANTENNA POLARITY & TEST DISTANCE: VERTICAL AT 3 M

| NO. | FREQ. (MHz) | EMISSION LEVEL (dBuV/m) | LIMIT (dBuV/m) | MARGIN (dB) | ANTENNA HEIGHT (m) | TABLE ANGLE (Degree) | RAW VALUE (dBuV) | CORRECTION FACTOR (dB/m) |
|-----|----------------|-------------------------------|-------------------|----------------|--------------------------|----------------------------|------------------------|--------------------------------|
| 1 | #5618.15 | 53.0 PK | 68.2 | -15.2 | 3.00 V | 258 | 49.2 | 3.8 |
| 2 | *5785.00 | 110.1 PK | | | 3.00 V | 258 | 105.8 | 4.3 |
| 3 | *5785.00 | 100.2 AV | | | 3.00 V | 258 | 95.9 | 4.3 |
| 4 | #5947.67 | 52.0 PK | 68.2 | -16.2 | 3.00 V | 258 | 47.6 | 4.4 |
| 5 | 11570.00 | 59.3 PK | 74.0 | -14.7 | 3.49 V | 71 | 45.2 | 14.1 |
| 6 | 11570.00 | 44.6 AV | 54.0 | -9.4 | 3.49 V | 71 | 30.5 | 14.1 |
| 7 | #17355.00 | 51.6 PK | 68.2 | -16.6 | 1.81 V | 141 | 34.0 | 17.6 |

REMARKS:

1. Emission Level(dBuV/m) = Raw Value(dBuV) + Correction Factor(dB/m)
2. Correction Factor(dB/m) = Antenna Factor(dB/m) + Cable Factor(dB) – Pre-Amplifier Factor(dB)
3. The other emission levels were very low against the limit.
4. Margin value = Emission Level – Limit value
5. " * ": Fundamental frequency.
6. " # ": The radiated frequency is out of the restricted band.

| | | | |
|------------------------|----------------|------------------------------|--------------|
| CHANNEL | TX Channel 165 | DETECTOR FUNCTION | Peak (PK) |
| FREQUENCY RANGE | 1GHz ~ 40GHz | | Average (AV) |

ANTENNA POLARITY & TEST DISTANCE: HORIZONTAL AT 3 M

| NO. | FREQ. (MHz) | EMISSION LEVEL (dBuV/m) | LIMIT (dBuV/m) | MARGIN (dB) | ANTENNA HEIGHT (m) | TABLE ANGLE (Degree) | RAW VALUE (dBuV) | CORRECTION FACTOR (dB/m) |
|-----|----------------|-------------------------------|-------------------|----------------|--------------------------|----------------------------|------------------------|--------------------------------|
| 1 | #5577.89 | 51.3 PK | 68.2 | -16.9 | 3.09 H | 266 | 47.5 | 3.8 |
| 2 | *5825.00 | 113.5 PK | | | 3.09 H | 266 | 109.0 | 4.5 |
| 3 | *5825.00 | 103.3 AV | | | 3.09 H | 266 | 98.8 | 4.5 |
| 4 | #5982.04 | 54.4 PK | 68.2 | -13.8 | 3.09 H | 266 | 49.9 | 4.5 |
| 5 | 11650.00 | 59.3 PK | 74.0 | -14.7 | 1.54 H | 73 | 45.4 | 13.9 |
| 6 | 11650.00 | 43.7 AV | 54.0 | -10.3 | 1.54 H | 73 | 29.8 | 13.9 |
| 7 | #17475.00 | 51.4 PK | 68.2 | -16.8 | 2.51 H | 277 | 32.6 | 18.8 |

ANTENNA POLARITY & TEST DISTANCE: VERTICAL AT 3 M

| NO. | FREQ. (MHz) | EMISSION LEVEL (dBuV/m) | LIMIT (dBuV/m) | MARGIN (dB) | ANTENNA HEIGHT (m) | TABLE ANGLE (Degree) | RAW VALUE (dBuV) | CORRECTION FACTOR (dB/m) |
|-----|----------------|-------------------------------|-------------------|----------------|--------------------------|----------------------------|------------------------|--------------------------------|
| 1 | #5584.19 | 51.0 PK | 68.2 | -17.2 | 2.96 V | 272 | 47.2 | 3.8 |
| 2 | *5825.00 | 110.2 PK | | | 2.96 V | 272 | 105.7 | 4.5 |
| 3 | *5825.00 | 100.4 AV | | | 2.96 V | 272 | 95.9 | 4.5 |
| 4 | #5977.90 | 52.0 PK | 68.2 | -16.2 | 2.96 V | 272 | 47.5 | 4.5 |
| 5 | 11650.00 | 59.3 PK | 74.0 | -14.7 | 3.49 V | 71 | 45.4 | 13.9 |
| 6 | 11650.00 | 44.6 AV | 54.0 | -9.4 | 3.49 V | 71 | 30.7 | 13.9 |
| 7 | #17475.00 | 51.6 PK | 68.2 | -16.6 | 1.81 V | 141 | 32.8 | 18.8 |

REMARKS:

1. Emission Level(dBuV/m) = Raw Value(dBuV) + Correction Factor(dB/m)
2. Correction Factor(dB/m) = Antenna Factor(dB/m) + Cable Factor(dB) – Pre-Amplifier Factor(dB)
3. The other emission levels were very low against the limit.
4. Margin value = Emission Level – Limit value
5. " * ": Fundamental frequency.
6. " # ": The radiated frequency is out of the restricted band.

802.11ac (VHT20)

| | | | |
|------------------------|---------------|------------------------------|--------------|
| CHANNEL | TX Channel 36 | DETECTOR FUNCTION | Peak (PK) |
| FREQUENCY RANGE | 1GHz ~ 40GHz | | Average (AV) |

ANTENNA POLARITY & TEST DISTANCE: HORIZONTAL AT 3 M

| NO. | FREQ. (MHz) | EMISSION LEVEL (dBuV/m) | LIMIT (dBuV/m) | MARGIN (dB) | ANTENNA HEIGHT (m) | TABLE ANGLE (Degree) | RAW VALUE (dBuV) | CORRECTION FACTOR (dB/m) |
|-----|----------------|-------------------------------|-------------------|----------------|--------------------------|----------------------------|------------------------|--------------------------------|
| 1 | 5150.00 | 67.6 PK | 74.0 | -6.4 | 3.14 H | 272 | 64.2 | 3.4 |
| 2 | 5150.00 | 52.3 AV | 54.0 | -1.7 | 3.14 H | 272 | 48.9 | 3.4 |
| 3 | *5180.00 | 111.7 PK | | | 3.14 H | 272 | 108.3 | 3.4 |
| 4 | *5180.00 | 102.3 AV | | | 3.14 H | 272 | 98.9 | 3.4 |
| 5 | #10360.00 | 50.5 PK | 68.2 | -17.7 | 2.64 H | 73 | 37.0 | 13.5 |
| 6 | 15540.00 | 50.3 PK | 74.0 | -23.7 | 2.58 H | 292 | 36.5 | 13.8 |
| 7 | 15540.00 | 37.9 AV | 54.0 | -16.1 | 2.58 H | 292 | 24.1 | 13.8 |

ANTENNA POLARITY & TEST DISTANCE: VERTICAL AT 3 M

| NO. | FREQ. (MHz) | EMISSION LEVEL (dBuV/m) | LIMIT (dBuV/m) | MARGIN (dB) | ANTENNA HEIGHT (m) | TABLE ANGLE (Degree) | RAW VALUE (dBuV) | CORRECTION FACTOR (dB/m) |
|-----|----------------|-------------------------------|-------------------|----------------|--------------------------|----------------------------|------------------------|--------------------------------|
| 1 | 5150.00 | 64.2 PK | 74.0 | -9.8 | 3.09 V | 275 | 60.8 | 3.4 |
| 2 | 5150.00 | 50.7 AV | 54.0 | -3.3 | 3.09 V | 275 | 47.3 | 3.4 |
| 3 | *5180.00 | 110.3 PK | | | 3.09 V | 275 | 106.9 | 3.4 |
| 4 | *5180.00 | 101.1 AV | | | 3.09 V | 275 | 97.7 | 3.4 |
| 5 | #10360.00 | 52.7 PK | 68.2 | -15.5 | 2.12 V | 131 | 39.2 | 13.5 |
| 6 | 15540.00 | 47.6 PK | 74.0 | -26.4 | 1.73 V | 147 | 33.8 | 13.8 |
| 7 | 15540.00 | 35.8 AV | 54.0 | -18.2 | 1.73 V | 147 | 22.0 | 13.8 |

REMARKS:

1. Emission Level(dBuV/m) = Raw Value(dBuV) + Correction Factor(dB/m)
2. Correction Factor(dB/m) = Antenna Factor(dB/m) + Cable Factor(dB) – Pre-Amplifier Factor(dB)
3. The other emission levels were very low against the limit.
4. Margin value = Emission Level – Limit value
5. " * ": Fundamental frequency.
6. " # ": The radiated frequency is out of the restricted band.

| | | | |
|------------------------|---------------|------------------------------|--------------|
| CHANNEL | TX Channel 40 | DETECTOR FUNCTION | Peak (PK) |
| FREQUENCY RANGE | 1GHz ~ 40GHz | | Average (AV) |

ANTENNA POLARITY & TEST DISTANCE: HORIZONTAL AT 3 M

| NO. | FREQ. (MHz) | EMISSION LEVEL (dBuV/m) | LIMIT (dBuV/m) | MARGIN (dB) | ANTENNA HEIGHT (m) | TABLE ANGLE (Degree) | RAW VALUE (dBuV) | CORRECTION FACTOR (dB/m) |
|-----|----------------|-------------------------------|-------------------|----------------|--------------------------|----------------------------|------------------------|--------------------------------|
| 1 | 5150.00 | 61.1 PK | 74.0 | -12.9 | 3.32 H | 274 | 57.7 | 3.4 |
| 2 | 5150.00 | 43.5 AV | 54.0 | -10.5 | 3.32 H | 274 | 40.1 | 3.4 |
| 3 | *5200.00 | 113.8 PK | | | 3.32 H | 274 | 110.4 | 3.4 |
| 4 | *5200.00 | 104.7 AV | | | 3.32 H | 274 | 101.3 | 3.4 |
| 5 | #10400.00 | 49.8 PK | 68.2 | -18.4 | 2.66 H | 50 | 36.2 | 13.6 |
| 6 | 15600.00 | 51.0 PK | 74.0 | -23.0 | 2.62 H | 279 | 37.2 | 13.8 |
| 7 | 15600.00 | 38.2 AV | 54.0 | -15.8 | 2.62 H | 279 | 24.4 | 13.8 |

ANTENNA POLARITY & TEST DISTANCE: VERTICAL AT 3 M

| NO. | FREQ. (MHz) | EMISSION LEVEL (dBuV/m) | LIMIT (dBuV/m) | MARGIN (dB) | ANTENNA HEIGHT (m) | TABLE ANGLE (Degree) | RAW VALUE (dBuV) | CORRECTION FACTOR (dB/m) |
|-----|----------------|-------------------------------|-------------------|----------------|--------------------------|----------------------------|------------------------|--------------------------------|
| 1 | 5150.00 | 57.5 PK | 74.0 | -16.5 | 3.04 V | 257 | 54.1 | 3.4 |
| 2 | 5150.00 | 42.9 AV | 54.0 | -11.1 | 3.04 V | 257 | 39.5 | 3.4 |
| 3 | *5200.00 | 112.4 PK | | | 3.04 V | 257 | 109.0 | 3.4 |
| 4 | *5200.00 | 103.1 AV | | | 3.04 V | 257 | 99.7 | 3.4 |
| 5 | #10400.00 | 52.4 PK | 68.2 | -15.8 | 2.18 V | 130 | 38.8 | 13.6 |
| 6 | 15600.00 | 47.0 PK | 74.0 | -27.0 | 1.81 V | 142 | 33.2 | 13.8 |
| 7 | 15600.00 | 35.6 AV | 54.0 | -18.4 | 1.81 V | 142 | 21.8 | 13.8 |

REMARKS:

1. Emission Level(dBuV/m) = Raw Value(dBuV) + Correction Factor(dB/m)
2. Correction Factor(dB/m) = Antenna Factor(dB/m) + Cable Factor(dB) – Pre-Amplifier Factor(dB)
3. The other emission levels were very low against the limit.
4. Margin value = Emission Level – Limit value
5. " * ": Fundamental frequency.
6. " # ": The radiated frequency is out of the restricted band.

| | | | |
|------------------------|---------------|------------------------------|--------------|
| CHANNEL | TX Channel 48 | DETECTOR FUNCTION | Peak (PK) |
| FREQUENCY RANGE | 1GHz ~ 40GHz | | Average (AV) |

ANTENNA POLARITY & TEST DISTANCE: HORIZONTAL AT 3 M

| NO. | FREQ. (MHz) | EMISSION LEVEL (dBuV/m) | LIMIT (dBuV/m) | MARGIN (dB) | ANTENNA HEIGHT (m) | TABLE ANGLE (Degree) | RAW VALUE (dBuV) | CORRECTION FACTOR (dB/m) |
|-----|----------------|-------------------------------|-------------------|----------------|--------------------------|----------------------------|------------------------|--------------------------------|
| 1 | *5240.00 | 113.7 PK | | | 2.50 H | 277 | 110.4 | 3.3 |
| 2 | *5240.00 | 104.4 AV | | | 2.50 H | 277 | 101.1 | 3.3 |
| 3 | 5350.00 | 52.7 PK | 74.0 | -21.3 | 2.50 H | 277 | 49.3 | 3.4 |
| 4 | 5350.00 | 41.6 AV | 54.0 | -12.4 | 2.50 H | 277 | 38.2 | 3.4 |
| 5 | #10480.00 | 49.8 PK | 68.2 | -18.4 | 2.61 H | 59 | 36.0 | 13.8 |
| 6 | 15720.00 | 51.0 PK | 74.0 | -23.0 | 2.63 H | 287 | 37.2 | 13.8 |
| 7 | 15720.00 | 38.4 AV | 54.0 | -15.6 | 2.63 H | 287 | 24.6 | 13.8 |

ANTENNA POLARITY & TEST DISTANCE: VERTICAL AT 3 M

| NO. | FREQ. (MHz) | EMISSION LEVEL (dBuV/m) | LIMIT (dBuV/m) | MARGIN (dB) | ANTENNA HEIGHT (m) | TABLE ANGLE (Degree) | RAW VALUE (dBuV) | CORRECTION FACTOR (dB/m) |
|-----|----------------|-------------------------------|-------------------|----------------|--------------------------|----------------------------|------------------------|--------------------------------|
| 1 | *5240.00 | 112.4 PK | | | 3.10 V | 280 | 109.1 | 3.3 |
| 2 | *5240.00 | 103.1 AV | | | 3.10 V | 280 | 99.8 | 3.3 |
| 3 | 5350.00 | 51.8 PK | 74.0 | -22.2 | 3.10 V | 280 | 48.4 | 3.4 |
| 4 | 5350.00 | 40.7 AV | 54.0 | -13.3 | 3.10 V | 280 | 37.3 | 3.4 |
| 5 | #10480.00 | 52.2 PK | 68.2 | -16.0 | 2.07 V | 136 | 38.4 | 13.8 |
| 6 | 15720.00 | 47.2 PK | 74.0 | -26.8 | 1.84 V | 146 | 33.4 | 13.8 |
| 7 | 15720.00 | 35.7 AV | 54.0 | -18.3 | 1.84 V | 146 | 21.9 | 13.8 |

REMARKS:

1. Emission Level(dBuV/m) = Raw Value(dBuV) + Correction Factor(dB/m)
2. Correction Factor(dB/m) = Antenna Factor(dB/m) + Cable Factor(dB) – Pre-Amplifier Factor(dB)
3. The other emission levels were very low against the limit.
4. Margin value = Emission Level – Limit value
5. " * ": Fundamental frequency.
6. " # ": The radiated frequency is out of the restricted band.

| | | | |
|------------------------|---------------|--------------------------|--------------|
| CHANNEL | TX Channel 52 | DETECTOR FUNCTION | Peak (PK) |
| FREQUENCY RANGE | 1GHz ~ 40GHz | | Average (AV) |

ANTENNA POLARITY & TEST DISTANCE: HORIZONTAL AT 3 M

| NO. | FREQ. (MHz) | EMISSION LEVEL (dBuV/m) | LIMIT (dBuV/m) | MARGIN (dB) | ANTENNA HEIGHT (m) | TABLE ANGLE (Degree) | RAW VALUE (dBuV) | CORRECTION FACTOR (dB/m) |
|-----|-------------|-------------------------|----------------|-------------|--------------------|----------------------|------------------|--------------------------|
| 1 | 5150.00 | 50.1 PK | 74.0 | -23.9 | 3.23 H | 274 | 46.7 | 3.4 |
| 2 | 5150.00 | 39.8 AV | 54.0 | -14.2 | 3.23 H | 274 | 36.4 | 3.4 |
| 3 | *5260.00 | 114.2 PK | | | 3.23 H | 274 | 111.0 | 3.2 |
| 4 | *5260.00 | 105.1 AV | | | 3.23 H | 274 | 101.9 | 3.2 |
| 5 | 5350.00 | 53.0 PK | 74.0 | -21.0 | 3.23 H | 274 | 49.6 | 3.4 |
| 6 | 5350.00 | 42.1 AV | 54.0 | -11.9 | 3.23 H | 274 | 38.7 | 3.4 |
| 7 | #10520.00 | 50.1 PK | 68.2 | -18.1 | 2.61 H | 79 | 36.2 | 13.9 |
| 8 | 15780.00 | 51.0 PK | 74.0 | -23.0 | 2.55 H | 285 | 37.3 | 13.7 |
| 9 | 15780.00 | 38.2 AV | 54.0 | -15.8 | 2.55 H | 285 | 24.5 | 13.7 |

ANTENNA POLARITY & TEST DISTANCE: VERTICAL AT 3 M

| NO. | FREQ. (MHz) | EMISSION LEVEL (dBuV/m) | LIMIT (dBuV/m) | MARGIN (dB) | ANTENNA HEIGHT (m) | TABLE ANGLE (Degree) | RAW VALUE (dBuV) | CORRECTION FACTOR (dB/m) |
|-----|-------------|-------------------------|----------------|-------------|--------------------|----------------------|------------------|--------------------------|
| 1 | 5150.00 | 51.0 PK | 74.0 | -23.0 | 3.14 V | 260 | 47.6 | 3.4 |
| 2 | 5150.00 | 39.8 AV | 54.0 | -14.2 | 3.14 V | 260 | 36.4 | 3.4 |
| 3 | *5260.00 | 113.1 PK | | | 3.14 V | 260 | 109.9 | 3.2 |
| 4 | *5260.00 | 104.1 AV | | | 3.14 V | 260 | 100.9 | 3.2 |
| 5 | 5350.00 | 52.7 PK | 74.0 | -21.3 | 3.14 V | 260 | 49.3 | 3.4 |
| 6 | 5350.00 | 41.3 AV | 54.0 | -12.7 | 3.14 V | 260 | 37.9 | 3.4 |
| 7 | #10520.00 | 53.2 PK | 68.2 | -15.0 | 2.16 V | 126 | 39.3 | 13.9 |
| 8 | 15780.00 | 47.7 PK | 74.0 | -26.3 | 1.72 V | 146 | 34.0 | 13.7 |
| 9 | 15780.00 | 36.0 AV | 54.0 | -18.0 | 1.72 V | 146 | 22.3 | 13.7 |

REMARKS:

1. Emission Level(dBuV/m) = Raw Value(dBuV) + Correction Factor(dB/m)
2. Correction Factor(dB/m) = Antenna Factor(dB/m) + Cable Factor(dB) – Pre-Amplifier Factor(dB)
3. The other emission levels were very low against the limit.
4. Margin value = Emission Level – Limit value
5. " * ": Fundamental frequency.
6. " # ": The radiated frequency is out of the restricted band.

| | | | |
|------------------------|---------------|------------------------------|--------------|
| CHANNEL | TX Channel 60 | DETECTOR FUNCTION | Peak (PK) |
| FREQUENCY RANGE | 1GHz ~ 40GHz | | Average (AV) |

ANTENNA POLARITY & TEST DISTANCE: HORIZONTAL AT 3 M

| NO. | FREQ. (MHz) | EMISSION LEVEL (dBuV/m) | LIMIT (dBuV/m) | MARGIN (dB) | ANTENNA HEIGHT (m) | TABLE ANGLE (Degree) | RAW VALUE (dBuV) | CORRECTION FACTOR (dB/m) |
|-----|----------------|-------------------------------|-------------------|----------------|--------------------------|----------------------------|------------------------|--------------------------------|
| 1 | *5300.00 | 114.4 PK | | | 3.21 H | 258 | 111.1 | 3.3 |
| 2 | *5300.00 | 105.1 AV | | | 3.21 H | 258 | 101.8 | 3.3 |
| 3 | 10600.00 | 49.7 PK | 74.0 | -24.3 | 2.59 H | 52 | 36.2 | 13.5 |
| 4 | 10600.00 | 38.1 AV | 54.0 | -15.9 | 2.59 H | 52 | 24.6 | 13.5 |
| 5 | 15900.00 | 50.9 PK | 74.0 | -23.1 | 2.64 H | 307 | 37.6 | 13.3 |
| 6 | 15900.00 | 38.4 AV | 54.0 | -15.6 | 2.64 H | 307 | 25.1 | 13.3 |

ANTENNA POLARITY & TEST DISTANCE: VERTICAL AT 3 M

| NO. | FREQ. (MHz) | EMISSION LEVEL (dBuV/m) | LIMIT (dBuV/m) | MARGIN (dB) | ANTENNA HEIGHT (m) | TABLE ANGLE (Degree) | RAW VALUE (dBuV) | CORRECTION FACTOR (dB/m) |
|-----|----------------|-------------------------------|-------------------|----------------|--------------------------|----------------------------|------------------------|--------------------------------|
| 1 | *5300.00 | 113.3 PK | | | 3.13 V | 265 | 110.0 | 3.3 |
| 2 | *5300.00 | 104.2 AV | | | 3.13 V | 265 | 100.9 | 3.3 |
| 3 | 10600.00 | 52.8 PK | 74.0 | -21.2 | 2.17 V | 119 | 39.3 | 13.5 |
| 4 | 10600.00 | 39.0 AV | 54.0 | -15.0 | 2.17 V | 119 | 25.5 | 13.5 |
| 5 | 15900.00 | 47.9 PK | 74.0 | -26.1 | 1.82 V | 138 | 34.6 | 13.3 |
| 6 | 15900.00 | 36.2 AV | 54.0 | -17.8 | 1.82 V | 138 | 22.9 | 13.3 |

REMARKS:

1. Emission Level(dBuV/m) = Raw Value(dBuV) + Correction Factor(dB/m)
2. Correction Factor(dB/m) = Antenna Factor(dB/m) + Cable Factor(dB) – Pre-Amplifier Factor(dB)
3. The other emission levels were very low against the limit.
4. Margin value = Emission Level – Limit value
5. " * ": Fundamental frequency.

| | | | |
|------------------------|---------------|------------------------------|--------------|
| CHANNEL | TX Channel 64 | DETECTOR FUNCTION | Peak (PK) |
| FREQUENCY RANGE | 1GHz ~ 40GHz | | Average (AV) |

ANTENNA POLARITY & TEST DISTANCE: HORIZONTAL AT 3 M

| NO. | FREQ. (MHz) | EMISSION LEVEL (dBuV/m) | LIMIT (dBuV/m) | MARGIN (dB) | ANTENNA HEIGHT (m) | TABLE ANGLE (Degree) | RAW VALUE (dBuV) | CORRECTION FACTOR (dB/m) |
|-----|----------------|-------------------------------|-------------------|----------------|--------------------------|----------------------------|------------------------|--------------------------------|
| 1 | *5320.00 | 113.2 PK | | | 3.21 H | 275 | 109.9 | 3.3 |
| 2 | *5320.00 | 103.6 AV | | | 3.21 H | 275 | 100.3 | 3.3 |
| 3 | 5350.00 | 67.7 PK | 74.0 | -6.3 | 3.21 H | 275 | 64.3 | 3.4 |
| 4 | 5350.00 | 52.4 AV | 54.0 | -1.6 | 3.21 H | 275 | 49.0 | 3.4 |
| 5 | 10640.00 | 50.4 PK | 74.0 | -23.6 | 2.59 H | 67 | 36.7 | 13.7 |
| 6 | 10640.00 | 38.8 AV | 54.0 | -15.2 | 2.59 H | 67 | 25.1 | 13.7 |
| 7 | 15960.00 | 50.2 PK | 74.0 | -23.8 | 2.54 H | 305 | 36.6 | 13.6 |
| 8 | 15960.00 | 37.8 AV | 54.0 | -16.2 | 2.54 H | 305 | 24.2 | 13.6 |

ANTENNA POLARITY & TEST DISTANCE: VERTICAL AT 3 M

| NO. | FREQ. (MHz) | EMISSION LEVEL (dBuV/m) | LIMIT (dBuV/m) | MARGIN (dB) | ANTENNA HEIGHT (m) | TABLE ANGLE (Degree) | RAW VALUE (dBuV) | CORRECTION FACTOR (dB/m) |
|-----|----------------|-------------------------------|-------------------|----------------|--------------------------|----------------------------|------------------------|--------------------------------|
| 1 | *5320.00 | 112.4 PK | | | 3.03 V | 265 | 109.1 | 3.3 |
| 2 | *5320.00 | 102.4 AV | | | 3.03 V | 265 | 99.1 | 3.3 |
| 3 | 5350.00 | 61.8 PK | 74.0 | -12.2 | 3.03 V | 265 | 58.4 | 3.4 |
| 4 | 5350.00 | 48.2 AV | 54.0 | -5.8 | 3.03 V | 265 | 44.8 | 3.4 |
| 5 | 10640.00 | 52.1 PK | 74.0 | -21.9 | 2.12 V | 120 | 38.4 | 13.7 |
| 6 | 10640.00 | 38.5 AV | 54.0 | -15.5 | 2.12 V | 120 | 24.8 | 13.7 |
| 7 | 15960.00 | 48.1 PK | 74.0 | -25.9 | 1.78 V | 162 | 34.5 | 13.6 |
| 8 | 15960.00 | 36.6 AV | 54.0 | -17.4 | 1.78 V | 162 | 23.0 | 13.6 |

REMARKS:

1. Emission Level(dBuV/m) = Raw Value(dBuV) + Correction Factor(dB/m)
2. Correction Factor(dB/m) = Antenna Factor(dB/m) + Cable Factor(dB) – Pre-Amplifier Factor(dB)
3. The other emission levels were very low against the limit.
4. Margin value = Emission Level – Limit value
5. " * ": Fundamental frequency.

| | | | |
|------------------------|----------------|------------------------------|--------------|
| CHANNEL | TX Channel 100 | DETECTOR FUNCTION | Peak (PK) |
| FREQUENCY RANGE | 1GHz ~ 40GHz | | Average (AV) |

ANTENNA POLARITY & TEST DISTANCE: HORIZONTAL AT 3 M

| NO. | FREQ. (MHz) | EMISSION LEVEL (dBuV/m) | LIMIT (dBuV/m) | MARGIN (dB) | ANTENNA HEIGHT (m) | TABLE ANGLE (Degree) | RAW VALUE (dBuV) | CORRECTION FACTOR (dB/m) |
|-----|----------------|-------------------------------|-------------------|----------------|--------------------------|----------------------------|------------------------|--------------------------------|
| 1 | 5460.00 | 59.0 PK | 74.0 | -15.0 | 3.19 H | 273 | 55.4 | 3.6 |
| 2 | 5460.00 | 42.6 AV | 54.0 | -11.4 | 3.19 H | 273 | 39.0 | 3.6 |
| 3 | #5470.00 | 66.6 PK | 68.2 | -1.6 | 3.19 H | 273 | 63.0 | 3.6 |
| 4 | *5500.00 | 111.4 PK | | | 3.19 H | 273 | 107.7 | 3.7 |
| 5 | *5500.00 | 101.2 AV | | | 3.19 H | 273 | 97.5 | 3.7 |
| 6 | 11000.00 | 49.3 PK | 74.0 | -24.7 | 2.57 H | 46 | 35.3 | 14.0 |
| 7 | 11000.00 | 37.6 AV | 54.0 | -16.4 | 2.57 H | 46 | 23.6 | 14.0 |
| 8 | #16500.00 | 51.0 PK | 68.2 | -17.2 | 2.70 H | 279 | 35.2 | 15.8 |

ANTENNA POLARITY & TEST DISTANCE: VERTICAL AT 3 M

| NO. | FREQ. (MHz) | EMISSION LEVEL (dBuV/m) | LIMIT (dBuV/m) | MARGIN (dB) | ANTENNA HEIGHT (m) | TABLE ANGLE (Degree) | RAW VALUE (dBuV) | CORRECTION FACTOR (dB/m) |
|-----|----------------|-------------------------------|-------------------|----------------|--------------------------|----------------------------|------------------------|--------------------------------|
| 1 | 5460.00 | 53.0 PK | 74.0 | -21.0 | 3.06 V | 272 | 49.4 | 3.6 |
| 2 | 5460.00 | 39.4 AV | 54.0 | -14.6 | 3.06 V | 272 | 35.8 | 3.6 |
| 3 | #5470.00 | 56.3 PK | 68.2 | -11.9 | 3.06 V | 272 | 52.7 | 3.6 |
| 4 | *5500.00 | 110.3 PK | | | 3.06 V | 272 | 106.6 | 3.7 |
| 5 | *5500.00 | 100.1 AV | | | 3.06 V | 272 | 96.4 | 3.7 |
| 6 | 11000.00 | 52.3 PK | 74.0 | -21.7 | 2.12 V | 126 | 38.3 | 14.0 |
| 7 | 11000.00 | 38.6 AV | 54.0 | -15.4 | 2.12 V | 126 | 24.6 | 14.0 |
| 8 | #16500.00 | 47.8 PK | 68.2 | -20.4 | 1.72 V | 160 | 32.0 | 15.8 |

REMARKS:

1. Emission Level(dBuV/m) = Raw Value(dBuV) + Correction Factor(dB/m)
2. Correction Factor(dB/m) = Antenna Factor(dB/m) + Cable Factor(dB) – Pre-Amplifier Factor(dB)
3. The other emission levels were very low against the limit.
4. Margin value = Emission Level – Limit value
5. " * ": Fundamental frequency.
6. " # ": The radiated frequency is out of the restricted band.

| | | | |
|------------------------|----------------|------------------------------|--------------|
| CHANNEL | TX Channel 116 | DETECTOR FUNCTION | Peak (PK) |
| FREQUENCY RANGE | 1GHz ~ 40GHz | | Average (AV) |

ANTENNA POLARITY & TEST DISTANCE: HORIZONTAL AT 3 M

| NO. | FREQ. (MHz) | EMISSION LEVEL (dBuV/m) | LIMIT (dBuV/m) | MARGIN (dB) | ANTENNA HEIGHT (m) | TABLE ANGLE (Degree) | RAW VALUE (dBuV) | CORRECTION FACTOR (dB/m) |
|-----|----------------|-------------------------------|-------------------|----------------|--------------------------|----------------------------|------------------------|--------------------------------|
| 1 | *5580.00 | 113.7 PK | | | 3.13 H | 260 | 109.9 | 3.8 |
| 2 | *5580.00 | 103.6 AV | | | 3.13 H | 260 | 99.8 | 3.8 |
| 3 | 11160.00 | 49.5 PK | 74.0 | -24.5 | 2.57 H | 48 | 35.8 | 13.7 |
| 4 | 11160.00 | 38.0 AV | 54.0 | -16.0 | 2.57 H | 48 | 24.3 | 13.7 |
| 5 | #16740.00 | 50.4 PK | 68.2 | -17.8 | 2.65 H | 283 | 33.4 | 17.0 |

ANTENNA POLARITY & TEST DISTANCE: VERTICAL AT 3 M

| NO. | FREQ. (MHz) | EMISSION LEVEL (dBuV/m) | LIMIT (dBuV/m) | MARGIN (dB) | ANTENNA HEIGHT (m) | TABLE ANGLE (Degree) | RAW VALUE (dBuV) | CORRECTION FACTOR (dB/m) |
|-----|----------------|-------------------------------|-------------------|----------------|--------------------------|----------------------------|------------------------|--------------------------------|
| 1 | *5580.00 | 112.4 PK | | | 3.10 V | 253 | 108.6 | 3.8 |
| 2 | *5580.00 | 102.4 AV | | | 3.10 V | 253 | 98.6 | 3.8 |
| 3 | 11160.00 | 52.4 PK | 74.0 | -21.6 | 2.18 V | 116 | 38.7 | 13.7 |
| 4 | 11160.00 | 38.5 AV | 54.0 | -15.5 | 2.18 V | 116 | 24.8 | 13.7 |
| 5 | #16740.00 | 47.4 PK | 68.2 | -20.8 | 1.80 V | 135 | 30.4 | 17.0 |

REMARKS:

1. Emission Level(dBuV/m) = Raw Value(dBuV) + Correction Factor(dB/m)
2. Correction Factor(dB/m) = Antenna Factor(dB/m) + Cable Factor(dB) – Pre-Amplifier Factor(dB)
3. The other emission levels were very low against the limit.
4. Margin value = Emission Level – Limit value
5. " * ": Fundamental frequency.
6. " # ": The radiated frequency is out of the restricted band.

| | | | |
|------------------------|----------------|------------------------------|--------------|
| CHANNEL | TX Channel 140 | DETECTOR FUNCTION | Peak (PK) |
| FREQUENCY RANGE | 1GHz ~ 40GHz | | Average (AV) |

ANTENNA POLARITY & TEST DISTANCE: HORIZONTAL AT 3 M

| NO. | FREQ. (MHz) | EMISSION LEVEL (dBuV/m) | LIMIT (dBuV/m) | MARGIN (dB) | ANTENNA HEIGHT (m) | TABLE ANGLE (Degree) | RAW VALUE (dBuV) | CORRECTION FACTOR (dB/m) |
|-----|----------------|-------------------------------|-------------------|----------------|--------------------------|----------------------------|------------------------|--------------------------------|
| 1 | *5700.00 | 111.0 PK | | | 3.11 H | 272 | 106.8 | 4.2 |
| 2 | *5700.00 | 101.6 AV | | | 3.11 H | 272 | 97.4 | 4.2 |
| 3 | #5725.00 | 66.7 PK | 68.2 | -1.5 | 3.11 H | 272 | 62.5 | 4.2 |
| 4 | 11400.00 | 49.6 PK | 74.0 | -24.4 | 2.63 H | 48 | 35.3 | 14.3 |
| 5 | 11400.00 | 38.0 AV | 54.0 | -16.0 | 2.63 H | 48 | 23.7 | 14.3 |
| 6 | #17100.00 | 50.4 PK | 68.2 | -17.8 | 2.54 H | 306 | 32.7 | 17.7 |

ANTENNA POLARITY & TEST DISTANCE: VERTICAL AT 3 M

| NO. | FREQ. (MHz) | EMISSION LEVEL (dBuV/m) | LIMIT (dBuV/m) | MARGIN (dB) | ANTENNA HEIGHT (m) | TABLE ANGLE (Degree) | RAW VALUE (dBuV) | CORRECTION FACTOR (dB/m) |
|-----|----------------|-------------------------------|-------------------|----------------|--------------------------|----------------------------|------------------------|--------------------------------|
| 1 | *5700.00 | 109.8 PK | | | 3.06 V | 264 | 105.6 | 4.2 |
| 2 | *5700.00 | 100.2 AV | | | 3.06 V | 264 | 96.0 | 4.2 |
| 3 | #5725.00 | 54.5 PK | 68.2 | -13.7 | 3.06 V | 264 | 50.3 | 4.2 |
| 4 | 11400.00 | 52.6 PK | 74.0 | -21.4 | 2.07 V | 133 | 38.3 | 14.3 |
| 5 | 11400.00 | 38.8 AV | 54.0 | -15.2 | 2.07 V | 133 | 24.5 | 14.3 |
| 6 | #17100.00 | 47.6 PK | 68.2 | -20.6 | 1.75 V | 133 | 29.9 | 17.7 |

REMARKS:

1. Emission Level(dBuV/m) = Raw Value(dBuV) + Correction Factor(dB/m)
2. Correction Factor(dB/m) = Antenna Factor(dB/m) + Cable Factor(dB) – Pre-Amplifier Factor(dB)
3. The other emission levels were very low against the limit.
4. Margin value = Emission Level – Limit value
5. " * ": Fundamental frequency.
6. " # ": The radiated frequency is out of the restricted band.

| | | | |
|------------------------|----------------|------------------------------|--------------|
| CHANNEL | TX Channel 144 | DETECTOR FUNCTION | Peak (PK) |
| FREQUENCY RANGE | 1GHz ~ 40GHz | | Average (AV) |

ANTENNA POLARITY & TEST DISTANCE: HORIZONTAL AT 3 M

| NO. | FREQ. (MHz) | EMISSION LEVEL (dBuV/m) | LIMIT (dBuV/m) | MARGIN (dB) | ANTENNA HEIGHT (m) | TABLE ANGLE (Degree) | RAW VALUE (dBuV) | CORRECTION FACTOR (dB/m) |
|-----|----------------|-------------------------------|-------------------|----------------|--------------------------|----------------------------|------------------------|--------------------------------|
| 1 | 5460.00 | 50.5 PK | 74.0 | -23.5 | 3.05 H | 274 | 46.9 | 3.6 |
| 2 | 5460.00 | 38.6 AV | 54.0 | -15.4 | 3.05 H | 274 | 35.0 | 3.6 |
| 3 | #5470.00 | 51.7 PK | 68.2 | -16.5 | 3.05 H | 274 | 48.1 | 3.6 |
| 4 | *5720.00 | 114.4 PK | | | 3.05 H | 274 | 110.2 | 4.2 |
| 5 | *5720.00 | 104.7 AV | | | 3.05 H | 274 | 100.5 | 4.2 |
| 6 | #5850.00 | 53.0 PK | 68.2 | -15.2 | 3.05 H | 274 | 48.5 | 4.5 |
| 7 | 11440.00 | 50.0 PK | 74.0 | -24.0 | 2.60 H | 78 | 35.7 | 14.3 |
| 8 | 11440.00 | 38.2 AV | 54.0 | -15.8 | 2.60 H | 78 | 23.9 | 14.3 |
| 9 | #17160.00 | 50.8 PK | 68.2 | -17.4 | 2.53 H | 285 | 33.3 | 17.5 |

ANTENNA POLARITY & TEST DISTANCE: VERTICAL AT 3 M

| NO. | FREQ. (MHz) | EMISSION LEVEL (dBuV/m) | LIMIT (dBuV/m) | MARGIN (dB) | ANTENNA HEIGHT (m) | TABLE ANGLE (Degree) | RAW VALUE (dBuV) | CORRECTION FACTOR (dB/m) |
|-----|----------------|-------------------------------|-------------------|----------------|--------------------------|----------------------------|------------------------|--------------------------------|
| 1 | 5460.00 | 51.4 PK | 74.0 | -22.6 | 3.11 V | 285 | 47.8 | 3.6 |
| 2 | 5460.00 | 38.4 AV | 54.0 | -15.6 | 3.11 V | 285 | 34.8 | 3.6 |
| 3 | #5470.00 | 50.7 PK | 68.2 | -17.5 | 3.11 V | 285 | 47.1 | 3.6 |
| 4 | *5720.00 | 113.1 PK | | | 3.11 V | 285 | 108.9 | 4.2 |
| 5 | *5720.00 | 103.2 AV | | | 3.11 V | 285 | 99.0 | 4.2 |
| 6 | #5850.00 | 52.2 PK | 68.2 | -16.0 | 3.11 V | 285 | 47.7 | 4.5 |
| 7 | 11440.00 | 53.2 PK | 74.0 | -20.8 | 2.18 V | 116 | 38.9 | 14.3 |
| 8 | 11440.00 | 39.2 AV | 54.0 | -14.8 | 2.18 V | 116 | 24.9 | 14.3 |
| 9 | #17160.00 | 48.2 PK | 68.2 | -20.0 | 1.74 V | 158 | 30.7 | 17.5 |

REMARKS:

1. Emission Level(dBuV/m) = Raw Value(dBuV) + Correction Factor(dB/m)
2. Correction Factor(dB/m) = Antenna Factor(dB/m) + Cable Factor(dB) – Pre-Amplifier Factor(dB)
3. The other emission levels were very low against the limit.
4. Margin value = Emission Level – Limit value
5. " * ": Fundamental frequency.
6. " # ": The radiated frequency is out of the restricted band.

| | | | |
|------------------------|----------------|------------------------------|--------------|
| CHANNEL | TX Channel 149 | DETECTOR FUNCTION | Peak (PK) |
| FREQUENCY RANGE | 1GHz ~ 40GHz | | Average (AV) |

ANTENNA POLARITY & TEST DISTANCE: HORIZONTAL AT 3 M

| NO. | FREQ. (MHz) | EMISSION LEVEL (dBuV/m) | LIMIT (dBuV/m) | MARGIN (dB) | ANTENNA HEIGHT (m) | TABLE ANGLE (Degree) | RAW VALUE (dBuV) | CORRECTION FACTOR (dB/m) |
|-----|----------------|-------------------------------|-------------------|----------------|--------------------------|----------------------------|------------------------|--------------------------------|
| 1 | #5633.40 | 51.9 PK | 68.2 | -16.3 | 3.08 H | 261 | 48.1 | 3.8 |
| 2 | *5745.00 | 113.3 PK | | | 3.08 H | 261 | 109.1 | 4.2 |
| 3 | *5745.00 | 103.6 AV | | | 3.08 H | 261 | 99.4 | 4.2 |
| 4 | #5977.87 | 50.7 PK | 68.2 | -17.5 | 3.08 H | 261 | 46.2 | 4.5 |
| 5 | 11490.00 | 58.9 PK | 74.0 | -15.1 | 1.57 H | 59 | 44.6 | 14.3 |
| 6 | 11490.00 | 43.5 AV | 54.0 | -10.5 | 1.57 H | 59 | 29.2 | 14.3 |
| 7 | #17235.00 | 51.3 PK | 68.2 | -16.9 | 2.48 H | 269 | 34.0 | 17.3 |

ANTENNA POLARITY & TEST DISTANCE: VERTICAL AT 3 M

| NO. | FREQ. (MHz) | EMISSION LEVEL (dBuV/m) | LIMIT (dBuV/m) | MARGIN (dB) | ANTENNA HEIGHT (m) | TABLE ANGLE (Degree) | RAW VALUE (dBuV) | CORRECTION FACTOR (dB/m) |
|-----|----------------|-------------------------------|-------------------|----------------|--------------------------|----------------------------|------------------------|--------------------------------|
| 1 | #5593.00 | 52.0 PK | 68.2 | -16.2 | 3.08 V | 263 | 48.2 | 3.8 |
| 2 | *5745.00 | 113.9 PK | | | 3.08 V | 263 | 109.7 | 4.2 |
| 3 | *5745.00 | 103.5 AV | | | 3.08 V | 263 | 99.3 | 4.2 |
| 4 | #5961.22 | 50.5 PK | 68.2 | -17.7 | 3.08 V | 263 | 46.0 | 4.5 |
| 5 | 11490.00 | 59.1 PK | 74.0 | -14.9 | 3.45 V | 56 | 44.8 | 14.3 |
| 6 | 11490.00 | 44.1 AV | 54.0 | -9.9 | 3.45 V | 56 | 29.8 | 14.3 |
| 7 | #17235.00 | 51.8 PK | 68.2 | -16.4 | 1.80 V | 133 | 34.5 | 17.3 |

REMARKS:

1. Emission Level(dBuV/m) = Raw Value(dBuV) + Correction Factor(dB/m)
2. Correction Factor(dB/m) = Antenna Factor(dB/m) + Cable Factor(dB) – Pre-Amplifier Factor(dB)
3. The other emission levels were very low against the limit.
4. Margin value = Emission Level – Limit value
5. " * ": Fundamental frequency.
6. " # ": The radiated frequency is out of the restricted band.

| | | | |
|------------------------|----------------|------------------------------|--------------|
| CHANNEL | TX Channel 157 | DETECTOR FUNCTION | Peak (PK) |
| FREQUENCY RANGE | 1GHz ~ 40GHz | | Average (AV) |

ANTENNA POLARITY & TEST DISTANCE: HORIZONTAL AT 3 M

| NO. | FREQ. (MHz) | EMISSION LEVEL (dBuV/m) | LIMIT (dBuV/m) | MARGIN (dB) | ANTENNA HEIGHT (m) | TABLE ANGLE (Degree) | RAW VALUE (dBuV) | CORRECTION FACTOR (dB/m) |
|-----|----------------|-------------------------------|-------------------|----------------|--------------------------|----------------------------|------------------------|--------------------------------|
| 1 | #5624.30 | 55.1 PK | 68.2 | -13.1 | 3.10 H | 258 | 51.3 | 3.8 |
| 2 | *5785.00 | 113.9 PK | | | 3.10 H | 258 | 109.6 | 4.3 |
| 3 | *5785.00 | 103.9 AV | | | 3.10 H | 258 | 99.6 | 4.3 |
| 4 | #5937.12 | 54.4 PK | 68.2 | -13.8 | 3.10 H | 258 | 50.0 | 4.4 |
| 5 | 11570.00 | 59.1 PK | 74.0 | -14.9 | 1.57 H | 87 | 45.0 | 14.1 |
| 6 | 11570.00 | 43.4 AV | 54.0 | -10.6 | 1.57 H | 87 | 29.3 | 14.1 |
| 7 | #17355.00 | 51.3 PK | 68.2 | -16.9 | 2.55 H | 284 | 33.7 | 17.6 |

ANTENNA POLARITY & TEST DISTANCE: VERTICAL AT 3 M

| NO. | FREQ. (MHz) | EMISSION LEVEL (dBuV/m) | LIMIT (dBuV/m) | MARGIN (dB) | ANTENNA HEIGHT (m) | TABLE ANGLE (Degree) | RAW VALUE (dBuV) | CORRECTION FACTOR (dB/m) |
|-----|----------------|-------------------------------|-------------------|----------------|--------------------------|----------------------------|------------------------|--------------------------------|
| 1 | #5625.82 | 53.7 PK | 68.2 | -14.5 | 3.13 V | 244 | 49.9 | 3.8 |
| 2 | *5785.00 | 113.6 PK | | | 3.13 V | 244 | 109.3 | 4.3 |
| 3 | *5785.00 | 103.3 AV | | | 3.13 V | 244 | 99.0 | 4.3 |
| 4 | #5948.89 | 54.4 PK | 68.2 | -13.8 | 3.13 V | 244 | 50.0 | 4.4 |
| 5 | 11570.00 | 59.6 PK | 74.0 | -14.4 | 3.46 V | 59 | 45.5 | 14.1 |
| 6 | 11570.00 | 45.0 AV | 54.0 | -9.0 | 3.46 V | 59 | 30.9 | 14.1 |
| 7 | #17355.00 | 51.4 PK | 68.2 | -16.8 | 1.81 V | 149 | 33.8 | 17.6 |

REMARKS:

1. Emission Level(dBuV/m) = Raw Value(dBuV) + Correction Factor(dB/m)
2. Correction Factor(dB/m) = Antenna Factor(dB/m) + Cable Factor(dB) – Pre-Amplifier Factor(dB)
3. The other emission levels were very low against the limit.
4. Margin value = Emission Level – Limit value
5. " * ": Fundamental frequency.
6. " # ": The radiated frequency is out of the restricted band.

| | | | |
|------------------------|----------------|------------------------------|--------------|
| CHANNEL | TX Channel 165 | DETECTOR FUNCTION | Peak (PK) |
| FREQUENCY RANGE | 1GHz ~ 40GHz | | Average (AV) |

ANTENNA POLARITY & TEST DISTANCE: HORIZONTAL AT 3 M

| NO. | FREQ. (MHz) | EMISSION LEVEL (dBuV/m) | LIMIT (dBuV/m) | MARGIN (dB) | ANTENNA HEIGHT (m) | TABLE ANGLE (Degree) | RAW VALUE (dBuV) | CORRECTION FACTOR (dB/m) |
|-----|----------------|-------------------------------|-------------------|----------------|--------------------------|----------------------------|------------------------|--------------------------------|
| 1 | #5585.52 | 52.1 PK | 68.2 | -16.1 | 3.10 H | 260 | 48.3 | 3.8 |
| 2 | *5825.00 | 113.4 PK | | | 3.10 H | 260 | 108.9 | 4.5 |
| 3 | *5825.00 | 103.7 AV | | | 3.10 H | 260 | 99.2 | 4.5 |
| 4 | #5987.12 | 54.5 PK | 68.2 | -13.7 | 3.10 H | 260 | 50.0 | 4.5 |
| 5 | 11650.00 | 59.3 PK | 74.0 | -14.7 | 1.55 H | 89 | 45.4 | 13.9 |
| 6 | 11650.00 | 43.8 AV | 54.0 | -10.2 | 1.55 H | 89 | 29.9 | 13.9 |
| 7 | #17475.00 | 51.9 PK | 68.2 | -16.3 | 2.49 H | 275 | 33.1 | 18.8 |

ANTENNA POLARITY & TEST DISTANCE: VERTICAL AT 3 M

| NO. | FREQ. (MHz) | EMISSION LEVEL (dBuV/m) | LIMIT (dBuV/m) | MARGIN (dB) | ANTENNA HEIGHT (m) | TABLE ANGLE (Degree) | RAW VALUE (dBuV) | CORRECTION FACTOR (dB/m) |
|-----|----------------|-------------------------------|-------------------|----------------|--------------------------|----------------------------|------------------------|--------------------------------|
| 1 | #5592.26 | 50.7 PK | 68.2 | -17.5 | 3.08 V | 251 | 46.9 | 3.8 |
| 2 | *5825.00 | 113.9 PK | | | 3.08 V | 251 | 109.4 | 4.5 |
| 3 | *5825.00 | 103.7 AV | | | 3.08 V | 251 | 99.2 | 4.5 |
| 4 | #5989.80 | 54.8 PK | 68.2 | -13.4 | 3.08 V | 251 | 50.3 | 4.5 |
| 5 | 11650.00 | 59.1 PK | 74.0 | -14.9 | 3.54 V | 63 | 45.2 | 13.9 |
| 6 | 11650.00 | 44.4 AV | 54.0 | -9.6 | 3.54 V | 63 | 30.5 | 13.9 |
| 7 | #17475.00 | 51.3 PK | 68.2 | -16.9 | 1.86 V | 134 | 32.5 | 18.8 |

REMARKS:

1. Emission Level(dBuV/m) = Raw Value(dBuV) + Correction Factor(dB/m)
2. Correction Factor(dB/m) = Antenna Factor(dB/m) + Cable Factor(dB) – Pre-Amplifier Factor(dB)
3. The other emission levels were very low against the limit.
4. Margin value = Emission Level – Limit value
5. " * ": Fundamental frequency.
6. " # ": The radiated frequency is out of the restricted band.

802.11ac (VHT40)

| | | | |
|------------------------|---------------|------------------------------|--------------|
| CHANNEL | TX Channel 38 | DETECTOR FUNCTION | Peak (PK) |
| FREQUENCY RANGE | 1GHz ~ 40GHz | | Average (AV) |

ANTENNA POLARITY & TEST DISTANCE: HORIZONTAL AT 3 M

| NO. | FREQ. (MHz) | EMISSION LEVEL (dBuV/m) | LIMIT (dBuV/m) | MARGIN (dB) | ANTENNA HEIGHT (m) | TABLE ANGLE (Degree) | RAW VALUE (dBuV) | CORRECTION FACTOR (dB/m) |
|-----|----------------|-------------------------------|-------------------|----------------|--------------------------|----------------------------|------------------------|--------------------------------|
| 1 | 5150.00 | 70.9 PK | 74.0 | -3.1 | 3.24 H | 275 | 67.5 | 3.4 |
| 2 | 5150.00 | 52.4 AV | 54.0 | -1.6 | 3.24 H | 275 | 49.0 | 3.4 |
| 3 | *5190.00 | 104.9 PK | | | 3.24 H | 275 | 101.4 | 3.5 |
| 4 | *5190.00 | 96.4 AV | | | 3.24 H | 275 | 92.9 | 3.5 |
| 5 | #10380.00 | 49.5 PK | 68.2 | -18.7 | 2.60 H | 80 | 36.0 | 13.5 |
| 6 | 15570.00 | 48.4 PK | 74.0 | -25.6 | 2.60 H | 294 | 34.6 | 13.8 |
| 7 | 15570.00 | 37.0 AV | 54.0 | -17.0 | 2.60 H | 294 | 23.2 | 13.8 |

ANTENNA POLARITY & TEST DISTANCE: VERTICAL AT 3 M

| NO. | FREQ. (MHz) | EMISSION LEVEL (dBuV/m) | LIMIT (dBuV/m) | MARGIN (dB) | ANTENNA HEIGHT (m) | TABLE ANGLE (Degree) | RAW VALUE (dBuV) | CORRECTION FACTOR (dB/m) |
|-----|----------------|-------------------------------|-------------------|----------------|--------------------------|----------------------------|------------------------|--------------------------------|
| 1 | 5150.00 | 70.8 PK | 74.0 | -3.2 | 3.08 V | 295 | 67.4 | 3.4 |
| 2 | 5150.00 | 52.0 AV | 54.0 | -2.0 | 3.08 V | 295 | 48.6 | 3.4 |
| 3 | *5190.00 | 103.6 PK | | | 3.08 V | 295 | 100.1 | 3.5 |
| 4 | *5190.00 | 95.1 AV | | | 3.08 V | 295 | 91.6 | 3.5 |
| 5 | #10380.00 | 50.5 PK | 68.2 | -17.7 | 2.12 V | 123 | 37.0 | 13.5 |
| 6 | 15570.00 | 46.2 PK | 74.0 | -27.8 | 1.72 V | 177 | 32.4 | 13.8 |
| 7 | 15570.00 | 35.4 AV | 54.0 | -18.6 | 1.72 V | 177 | 21.6 | 13.8 |

REMARKS:

1. Emission Level(dBuV/m) = Raw Value(dBuV) + Correction Factor(dB/m)
2. Correction Factor(dB/m) = Antenna Factor(dB/m) + Cable Factor(dB) – Pre-Amplifier Factor(dB)
3. The other emission levels were very low against the limit.
4. Margin value = Emission Level – Limit value
5. " * ": Fundamental frequency.
6. " # ": The radiated frequency is out of the restricted band.

| | | | |
|------------------------|---------------|------------------------------|--------------|
| CHANNEL | TX Channel 46 | DETECTOR FUNCTION | Peak (PK) |
| FREQUENCY RANGE | 1GHz ~ 40GHz | | Average (AV) |

ANTENNA POLARITY & TEST DISTANCE: HORIZONTAL AT 3 M

| NO. | FREQ. (MHz) | EMISSION LEVEL (dBuV/m) | LIMIT (dBuV/m) | MARGIN (dB) | ANTENNA HEIGHT (m) | TABLE ANGLE (Degree) | RAW VALUE (dBuV) | CORRECTION FACTOR (dB/m) |
|-----|----------------|-------------------------------|-------------------|----------------|--------------------------|----------------------------|------------------------|--------------------------------|
| 1 | 5150.00 | 53.5 PK | 74.0 | -20.5 | 3.27 H | 275 | 50.1 | 3.4 |
| 2 | 5150.00 | 41.2 AV | 54.0 | -12.8 | 3.27 H | 275 | 37.8 | 3.4 |
| 3 | *5230.00 | 107.9 PK | | | 3.27 H | 275 | 104.6 | 3.3 |
| 4 | *5230.00 | 99.5 AV | | | 3.27 H | 275 | 96.2 | 3.3 |
| 5 | 5350.00 | 52.3 PK | 74.0 | -21.7 | 3.27 H | 275 | 48.9 | 3.4 |
| 6 | 5350.00 | 41.0 AV | 54.0 | -13.0 | 3.27 H | 275 | 37.6 | 3.4 |
| 7 | #10460.00 | 49.7 PK | 68.2 | -18.5 | 2.64 H | 64 | 35.9 | 13.8 |
| 8 | 15690.00 | 49.7 PK | 74.0 | -24.3 | 2.49 H | 319 | 35.8 | 13.9 |
| 9 | 15690.00 | 37.7 AV | 54.0 | -16.3 | 2.49 H | 319 | 23.8 | 13.9 |

ANTENNA POLARITY & TEST DISTANCE: VERTICAL AT 3 M

| NO. | FREQ. (MHz) | EMISSION LEVEL (dBuV/m) | LIMIT (dBuV/m) | MARGIN (dB) | ANTENNA HEIGHT (m) | TABLE ANGLE (Degree) | RAW VALUE (dBuV) | CORRECTION FACTOR (dB/m) |
|-----|----------------|-------------------------------|-------------------|----------------|--------------------------|----------------------------|------------------------|--------------------------------|
| 1 | 5150.00 | 52.7 PK | 74.0 | -21.3 | 3.09 V | 285 | 49.3 | 3.4 |
| 2 | 5150.00 | 40.3 AV | 54.0 | -13.7 | 3.09 V | 285 | 36.9 | 3.4 |
| 3 | *5230.00 | 106.4 PK | | | 3.09 V | 285 | 103.1 | 3.3 |
| 4 | *5230.00 | 98.2 AV | | | 3.09 V | 285 | 94.9 | 3.3 |
| 5 | 5350.00 | 57.5 PK | 74.0 | -16.5 | 3.09 V | 285 | 54.1 | 3.4 |
| 6 | 5350.00 | 43.1 AV | 54.0 | -10.9 | 3.09 V | 285 | 39.7 | 3.4 |
| 7 | #10460.00 | 51.0 PK | 68.2 | -17.2 | 2.12 V | 132 | 37.2 | 13.8 |
| 8 | 15690.00 | 46.4 PK | 74.0 | -27.6 | 1.80 V | 156 | 32.5 | 13.9 |
| 9 | 15690.00 | 35.7 AV | 54.0 | -18.3 | 1.80 V | 156 | 21.8 | 13.9 |

REMARKS:

1. Emission Level(dBuV/m) = Raw Value(dBuV) + Correction Factor(dB/m)
2. Correction Factor(dB/m) = Antenna Factor(dB/m) + Cable Factor(dB) – Pre-Amplifier Factor(dB)
3. The other emission levels were very low against the limit.
4. Margin value = Emission Level – Limit value
5. " * ": Fundamental frequency.
6. " # ": The radiated frequency is out of the restricted band.

| | | | |
|------------------------|---------------|------------------------------|--------------|
| CHANNEL | TX Channel 54 | DETECTOR FUNCTION | Peak (PK) |
| FREQUENCY RANGE | 1GHz ~ 40GHz | | Average (AV) |

ANTENNA POLARITY & TEST DISTANCE: HORIZONTAL AT 3 M

| NO. | FREQ. (MHz) | EMISSION LEVEL (dBuV/m) | LIMIT (dBuV/m) | MARGIN (dB) | ANTENNA HEIGHT (m) | TABLE ANGLE (Degree) | RAW VALUE (dBuV) | CORRECTION FACTOR (dB/m) |
|-----|----------------|-------------------------------|-------------------|----------------|--------------------------|----------------------------|------------------------|--------------------------------|
| 1 | 5150.00 | 51.3 PK | 74.0 | -22.7 | 3.24 H | 276 | 47.9 | 3.4 |
| 2 | 5150.00 | 37.8 AV | 54.0 | -16.2 | 3.24 H | 276 | 34.4 | 3.4 |
| 3 | *5270.00 | 108.1 PK | | | 3.24 H | 276 | 104.9 | 3.2 |
| 4 | *5270.00 | 99.4 AV | | | 3.24 H | 276 | 96.2 | 3.2 |
| 5 | 5350.00 | 58.4 PK | 74.0 | -15.6 | 3.24 H | 276 | 55.0 | 3.4 |
| 6 | 5350.00 | 44.9 AV | 54.0 | -9.1 | 3.24 H | 276 | 41.5 | 3.4 |
| 7 | #10540.00 | 49.7 PK | 68.2 | -18.5 | 2.63 H | 62 | 36.0 | 13.7 |
| 8 | 15810.00 | 49.3 PK | 74.0 | -24.7 | 2.52 H | 320 | 35.8 | 13.5 |
| 9 | 15810.00 | 37.8 AV | 54.0 | -16.2 | 2.52 H | 320 | 24.3 | 13.5 |

ANTENNA POLARITY & TEST DISTANCE: VERTICAL AT 3 M

| NO. | FREQ. (MHz) | EMISSION LEVEL (dBuV/m) | LIMIT (dBuV/m) | MARGIN (dB) | ANTENNA HEIGHT (m) | TABLE ANGLE (Degree) | RAW VALUE (dBuV) | CORRECTION FACTOR (dB/m) |
|-----|----------------|-------------------------------|-------------------|----------------|--------------------------|----------------------------|------------------------|--------------------------------|
| 1 | 5150.00 | 51.1 PK | 74.0 | -22.9 | 3.10 V | 284 | 47.7 | 3.4 |
| 2 | 5150.00 | 39.5 AV | 54.0 | -14.5 | 3.10 V | 284 | 36.1 | 3.4 |
| 3 | *5270.00 | 107.6 PK | | | 3.10 V | 284 | 104.4 | 3.2 |
| 4 | *5270.00 | 98.1 AV | | | 3.10 V | 284 | 94.9 | 3.2 |
| 5 | 5350.00 | 58.4 PK | 74.0 | -15.6 | 3.10 V | 284 | 55.0 | 3.4 |
| 6 | 5350.00 | 42.6 AV | 54.0 | -11.4 | 3.10 V | 284 | 39.2 | 3.4 |
| 7 | #10540.00 | 51.7 PK | 68.2 | -16.5 | 2.09 V | 143 | 38.0 | 13.7 |
| 8 | 15810.00 | 46.2 PK | 74.0 | -27.8 | 1.71 V | 168 | 32.7 | 13.5 |
| 9 | 15810.00 | 35.4 AV | 54.0 | -18.6 | 1.71 V | 168 | 21.9 | 13.5 |

REMARKS:

1. Emission Level(dBuV/m) = Raw Value(dBuV) + Correction Factor(dB/m)
2. Correction Factor(dB/m) = Antenna Factor(dB/m) + Cable Factor(dB) – Pre-Amplifier Factor(dB)
3. The other emission levels were very low against the limit.
4. Margin value = Emission Level – Limit value
5. " * ": Fundamental frequency.
6. " # ": The radiated frequency is out of the restricted band.

| | | | |
|------------------------|---------------|------------------------------|--------------|
| CHANNEL | TX Channel 62 | DETECTOR FUNCTION | Peak (PK) |
| FREQUENCY RANGE | 1GHz ~ 40GHz | | Average (AV) |

ANTENNA POLARITY & TEST DISTANCE: HORIZONTAL AT 3 M

| NO. | FREQ. (MHz) | EMISSION LEVEL (dBuV/m) | LIMIT (dBuV/m) | MARGIN (dB) | ANTENNA HEIGHT (m) | TABLE ANGLE (Degree) | RAW VALUE (dBuV) | CORRECTION FACTOR (dB/m) |
|-----|----------------|-------------------------------|-------------------|----------------|--------------------------|----------------------------|------------------------|--------------------------------|
| 1 | *5310.00 | 107.2 PK | | | 3.23 H | 276 | 103.9 | 3.3 |
| 2 | *5310.00 | 98.5 AV | | | 3.23 H | 276 | 95.2 | 3.3 |
| 3 | 5350.00 | 70.9 PK | 74.0 | -3.1 | 3.23 H | 276 | 67.5 | 3.4 |
| 4 | 5350.00 | 52.4 AV | 54.0 | -1.6 | 3.23 H | 276 | 49.0 | 3.4 |
| 5 | 10620.00 | 49.2 PK | 74.0 | -24.8 | 2.61 H | 76 | 35.5 | 13.7 |
| 6 | 10620.00 | 38.1 AV | 54.0 | -15.9 | 2.61 H | 76 | 24.4 | 13.7 |
| 7 | 15930.00 | 49.1 PK | 74.0 | -24.9 | 2.54 H | 305 | 35.6 | 13.5 |
| 8 | 15930.00 | 37.4 AV | 54.0 | -16.6 | 2.54 H | 305 | 23.9 | 13.5 |

ANTENNA POLARITY & TEST DISTANCE: VERTICAL AT 3 M

| NO. | FREQ. (MHz) | EMISSION LEVEL (dBuV/m) | LIMIT (dBuV/m) | MARGIN (dB) | ANTENNA HEIGHT (m) | TABLE ANGLE (Degree) | RAW VALUE (dBuV) | CORRECTION FACTOR (dB/m) |
|-----|----------------|-------------------------------|-------------------|----------------|--------------------------|----------------------------|------------------------|--------------------------------|
| 1 | *5310.00 | 106.4 PK | | | 3.12 V | 296 | 103.1 | 3.3 |
| 2 | *5310.00 | 97.2 AV | | | 3.12 V | 296 | 93.9 | 3.3 |
| 3 | 5350.00 | 67.6 PK | 74.0 | -6.4 | 3.12 V | 296 | 64.2 | 3.4 |
| 4 | 5350.00 | 51.9 AV | 54.0 | -2.1 | 3.12 V | 296 | 48.5 | 3.4 |
| 5 | 10620.00 | 51.1 PK | 74.0 | -22.9 | 2.07 V | 135 | 37.4 | 13.7 |
| 6 | 10620.00 | 37.4 AV | 54.0 | -16.6 | 2.07 V | 135 | 23.7 | 13.7 |
| 7 | 15930.00 | 46.3 PK | 74.0 | -27.7 | 1.76 V | 170 | 32.8 | 13.5 |
| 8 | 15930.00 | 35.4 AV | 54.0 | -18.6 | 1.76 V | 170 | 21.9 | 13.5 |

REMARKS:

1. Emission Level(dBuV/m) = Raw Value(dBuV) + Correction Factor(dB/m)
2. Correction Factor(dB/m) = Antenna Factor(dB/m) + Cable Factor(dB) – Pre-Amplifier Factor(dB)
3. The other emission levels were very low against the limit.
4. Margin value = Emission Level – Limit value
5. " * ": Fundamental frequency.