

DFS Test Report

Report No.: RF131203E01B-3

FCC ID: TX2-RTL8821AU

Test Model: RTL8821AU

Received Date: Dec. 21, 2015

Test Date: Dec. 28, 2015

Issued Date: Feb. 03, 2016

Applicant: Realtek Semiconductor Corp.

Address: No. 2, Innovation Road II, Hsinchu Science Park, Hsinchu 300, Taiwan

Issued By: Bureau Veritas Consumer Products Services (H.K.) Ltd., Taoyuan Branch
Hsin Chu Laboratory

Lab Address: E-2, No.1, Li Hsin 1st Road, Hsinchu Science Park, Hsinchu City 300,
Taiwan R.O.C.

Test Location (1): E-2, No.1, Li Hsin 1st Road, Hsinchu Science Park, Hsinchu City 300,
Taiwan R.O.C.

Test Location (2): No. 49, Ln. 206, Wende Rd., Shangshan Tsuen, Chiung Lin Hsiang, Hsin
Chu Hsien 307, Taiwan R.O.C.



This report is for your exclusive use. Any copying or replication of this report to or for any other person or entity, or use of our name or trademark, is permitted only with our prior written permission. This report sets forth our findings solely with respect to the test samples identified herein. The results set forth in this report are not indicative or representative of the quality or characteristics of the lot from which a test sample was taken or any similar or identical product unless specifically and expressly noted. Our report includes all of the tests requested by you and the results thereof based upon the information that you provided to us. You have 60 days from date of issuance of this report to notify us of any material error or omission caused by our negligence, provided, however, that such notice shall be in writing and shall specifically address the issue you wish to raise. A failure to raise such issue within the prescribed time shall constitute your unqualified acceptance of the completeness of this report, the tests conducted and the correctness of the report contents. Unless specific mention, the uncertainty of measurement has been explicitly taken into account to declare the compliance or non-compliance to the specification. The report must not be used by the client to claim product certification, approval, or endorsement by TAF or any government agencies.



Table of Contents

Release Control Record	3
1 Certificate of Conformity	4
2 EUT Information	5
2.1 Operating Frequency Bands and Mode of EUT.....	5
2.2 EUT Software and Firmware Version.....	5
2.3 Description Of Available Antennas to The EUT	6
2.4 EUT Maximum Conducted Power.....	9
2.5 EUT Maximum EIRP Power.....	10
2.6 Transmit Power Control (TPc).....	11
2.7 Statement of Manufacturer.....	11
3. U-NII DFS Rule Requirements	12
3.1 Working Modes and Required Test Items	12
3.2 Test Limits And Radar Signal Parameters	13
4. Test & Support Equipment List	16
4.1 Test Instruments.....	16
4.2 Description of Support Units	16
5. Test Procedure	17
5.1 DFS Measurement System.....	17
5.2 Calibration of DFS Detection Threshold Level.....	18
5.3 Deviation From Test Standard.....	19
5.4 Conducted Test Setup Configuration	19
5.4.1 Client without Radar Detection Mode.....	19
6. Test Results	20
6.1 Summary of Test Results	20
6.2 Test Results.....	21
6.2.1 Test Mode: Device Operating In Client Without Radar Detection Mode	21
6.2.2 Channel Closing Transmission And Channel Move Time	22
6.2.3 Non-Occupancy Period	23
6.2.4 Non-Associated Test.....	25
6.2.5 Non- Co-Channel Test.....	25
7. Information on The Testing Laboratories	26
8. APPENDIX-A	27



A D T

Release Control Record

Issue No.	Description	Date Issued
RF131203E01B-3	Original release.	Feb. 03, 2016

2 EUT Information

2.1 Operating Frequency Bands and Mode of EUT

Table 1: Operating Frequency Bands and Mode of EUT

Operational Mode	Operating Frequency Range	
	5250~5350MHz	5470~5725MHz
Client without radar detection and ad hoc function	✓	✓

2.2 EUT Software and Firmware Version

Table 2: The EUT Software/Firmware Version

PLATFORM	No.	Product	Model No.	Software/Firmware Version
Windows 7	1	802.11a/b/g/n/ac RTL8821AU Combo module	RTL8821AU	1026.5.1118.2013

2.3 Description Of Available Antennas to The EUT

Table 3: Antenna List

1.

No.	Brand	Model	Antenna Type	Peak gain with cable loss (dBi) (2.4GHz)	Peak gain with cable loss(dBi) (5GHz)	Cable Loss (dB) (2.4GHz)	Cable Loss (dB) (5GHz)	Connector Type
1	LYNwave	ALA110-222050-300010 (Main) ALA110-222050-300010 (Aux)	PIFA	3.5 3.5	5 5	NA NA	NA NA	IPEX
2	WGT	SKA91WMPB02+A (Tx1) SKA91WMPB01+A (Tx2)	PIFA	0.82 -2.23	0.94 2.18	-1.32 -0.75	-2.04 -1.17	IPEX
3	JEM	1510-0122-0027 (Tx1) 1510-0122-0027 (Tx2)	PIFA	3.23 2.31	4.89 1.89	NA NA	NA NA	RF
4	FVC	K05007014501(6-23-7W25H-010) (Tx1) K05007014501(6-23-7W25H-010) (Tx2)	PIFA	2.85 1.59	2.46 2.91	NA NA	NA NA	IPEX
5	JEM	1510-0122-0022(IA-120073) (Tx1) 1510-0122-0022(IA-120073) (Tx2)	PIFA	2.23 2.21	1.69 1.84	NA NA	NA NA	RF
6	WGT	SK81WMPB01+A (Tx1) SK81WMPB02+A (Tx2)	PIFA	1.79 0.66	1.49 -0.40	-1.88 -2.95	-3.17 -4.96	IPEX
7	WGT	SKW2UWMPB01+A (Tx1) SKW2UWMPB01+A (Tx2)	PIFA	1.36 2.88	1.92 3.16	NA NA	NA NA	IPEX
8	WGT	SKW25WMPB01+A (Tx1) SKW25WMPB01+A (Tx2)	PIFA	0.72 0.49	-0.72 -0.71	-1.41 -1.39	-2.18 -2.15	IPEX
9	WGT	SK549WMPB01+A (Tx1) SK549WMPB02+A (Tx2)	PIFA	-0.17 -2.24	-0.13 0.03	-1.04 -0.88	-1.94 -1.64	IPEX
10	WGT	SK110WMPB01+A (Tx1) SK110WMPB02+A (Tx2)	PIFA	1.05 -0.41	1.08 2.32	-0.98 -0.99	-1.52 -1.54	IPEX
11	WGT	SKW31WMPB01+A (Tx1) SKW31WMPB01+A (Tx2)	PIFA	1.85 3.14	1.74 2.10	NA NA	NA NA	IPEX
12	FVC	6-23-7B51M-031 (Tx1) 6-23-7B51M-031 (Tx2)	PIFA	1.58 1.75	2.54 2.24	NA NA	NA NA	IPEX
13	FVC	6-23-7E51Q-011 (Tx1) 6-23-7E51Q-011 (Tx2)	PIFA	2.70 2.19	1.57 2.94	NA NA	NA NA	IPEX
14	FVC	6-23-7B710-022 (WM1) 6-23-7B710-022 (WM2)	PIFA	1.51 2.04	2.99 3.02	NA NA	NA NA	IPEX
15	WGT	SKM11WMPB03+A (Tx1) SKM11WMPB02+D (Tx2)	PIFA	-1.84 -2.93	0.44 1.35	1.17 0.89	2.02 1.54	IPEX
16	WGT	SKW23WMPB01+A (Tx1) SKW23WMPB02+A (Tx2)	PIFA	-1.61 -2.84	-0.14 -0.96	-2.10 -2.07	-3.25 -3.20	IPEX

No.	Brand	Model	Antenna Type	Peak gain with cable loss (dBi) (2.4GHz)	Peak gain with cable loss(dBi) (5GHz)	Cable Loss (dB) (2.4GHz)	Cable Loss (dB) (5GHz)	Connector Type
17	WGT	SKW24WMPB01+B (WM1) SKW24WMPB01+B (WM2)	PIFA	1.25 3.17	1.95 2.42	NA	NA	IPEX
18	FVC	K05007015501(6-23-7W244-020-1) (Tx1) K05007015501(6-23-7W244-020-1) (Tx2)	PIFA	2.53 2.28	2.86 2.97	NA	NA	IPEX
19	FVC	K05007014201(6-23-7W25P-020) (Tx1) K05007014201(6-23-7W25P-020) (Tx2)	PIFA	3.00 1.52	2.82 2.21	NA	NA	IPEX
20	WGT	SKW10WMPB01+A (Tx1) SKW10WMPB02+A (Tx2)	PIFA	0.85 0.44	0.75 1.24	-1.56 -1.53	-2.42 -2.36	IPEX
21	WGT	SKCZTWMPB01+A (Tx1) SKCZTWMPB02+A (Tx2)	PIFA	0.46 -0.79	2.80 1.03	-1.56 -1.53	-2.42 -2.36	IPEX
22	JEM	IA-120266 (Tx1) IA-120267 (Tx2)	PIFA	2.60 0.53	2.61 2.60	2.12 1.76	3.48 2.87	IPEX
23	WGT	SK547WMPB01+A (Tx1) SK549WMPB02+A (Tx2)	PIFA	-0.66 0.78	-0.19 2.06	-1.42 -1.43	-2.20 -2.21	IPEX
24	WGT	SK555WMPB01+B (Tx1) SK555WMPB02+B (Tx2)	PIFA	0.76 0.09	1.97 0.56	-1.83 -1.80	-2.83 -2.78	IPEX
25	WGT	SK65EWMPB01+A (Tx1) SK650WMPB02+A (Tx2)	PIFA	0.42 -0.13	0.11 1.27	-1.56 -0.61	-2.41 -0.94	IPEX
26	WGT	SK670WMPB01+A (Tx1) SK670WMPB02+A (Tx2)	PIFA	1.48 1.15	-0.44 0.42	-2.47 -1.93	-3.82 -2.99	IPEX
27	WGT	SK740WMPB01+A (Tx1) SK740WMPB02+A (Tx2)	PIFA	-0.93 0.20	0.96 0.86	-1.39 -1.26	-2.16 -1.95	IPEX
28	WGT	SK840WMPB01+B_SN (Tx1) SK840WMPB01+B_SN (Tx2)	PIFA	3.03 0.55	4.16 0.90	-1.12 -1.20	-1.74 -1.86	IPEX
29	WGT	SK94SWMPB01+B (TX1) SK94SWMPB01+B (TX2)	PIFA	0.76 0.46	1.12 1.44	-0.32 -0.44	-0.50 -0.68	IPEX
30	WGT	SK94TWMPB01+B (TX1) SK94TWMPB01+B (TX2)	PIFA	1.32 1.86	2.59 1.57	-0.59 -0.71	-0.91 -1.10	IPEX
31	WGT	SK50SWMPB01+A (TX1) SK50SWMPB02+A (TX2)	PIFA	-0.03 -0.13	1.25 2.13	-0.86 -0.72	-1.32 -1.12	IPEX
32	WGT	SK94TWMPB01+D (TX1) SK94TWMPB01+D (TX2)	PIFA	1.32 1.86	2.59 1.57	-0.59 -0.71	-0.91 -1.10	IPEX
33	WGT	SKC45WMPB03+B (WM1) SKC45WMPB03+B (WM2)	PIFA	2.46 2.91	2.90 2.67	NA	NA	IPEX
34	FVC	K05007015801 (WM1) K05007015901 (WM2)	PIFA	3.12 1.01	3.51 1.93	NA	NA	RF
35	WGT	SK345WMPB01+A (WM1) SK345WMPB02+A (WM2)	PIFA	0.86 2.51	2.94 3.25	NA	NA	IPEX

No.	Brand	Model	Antenna Type	Peak gain with cable loss (dBi) (2.4GHz)	Peak gain with cable loss(dBi) (5GHz)	Cable Loss (dB) (2.4GHz)	Cable Loss (dB) (5GHz)	Connector Type
36	FVC	K05007014901 (WM1) K05007015001 (WM2)	PIFA	1.85 1.94	1.35 1.99	NA	NA	IPEX
37	WGT	SKX51WMPB01+C (WM1) SKX51WMPB02+C (WM2)	PIFA	3.2 2.76	2.28 2.51	NA	NA	IPEX
38	INPAQ	WA-P-LB-02-122 (Main) WA-P-LB-01-072 (Aux)	PIFA	-1.41 -0.33	-2.44 -3.87	1.23 1.86	2.06 3.12	IPEX
39	Smart Approach	SE-ECZ50-001 (Tx1) SE-ECZ50-002 (Tx2)	PIFA	-1.37 -2.17	1.83 1.86	0.96 1.45	1.73 2.62	IPEX
40	INPAQ	WA-P-LB-02-121 (Main) WA-P-LB-01-071 (Aux)	PIFA	-2.26 -4.63	-2.87 -2.49	1.32 1.95	2.22 3.28	IPEX
41	Smart Approach	SE-ECZ70-001 (Tx1) SE-ECZ70-002 (Tx2)	PIFA	-0.65 -2.39	1.52 0.58	1.03 1.52	1.87 2.76	IPEX

2.4 EUT Maximum Conducted Power

Table 4: The Measured Conducted Output Power

IEEE 802.11a

FREQUENCY BAND (MHz)	MAX. POWER	
	OUTPUT POWER(dBm)	OUTPUT POWER(mW)
5250~5350	18.11	64.714
5470~5725	18.44	69.823

IEEE 802.11ac VHT20

FREQUENCY BAND (MHz)	MAX. POWER	
	OUTPUT POWER(dBm)	OUTPUT POWER(mW)
5250~5350	18.41	69.343
5470~5725	18.31	67.764

IEEE 802.11ac VHT40

FREQUENCY BAND (MHz)	MAX. POWER	
	OUTPUT POWER(dBm)	OUTPUT POWER(mW)
5250~5350	16.56	45.29
5470~5725	18.53	71.285

IEEE 802.11ac VHT80

FREQUENCY BAND (MHz)	MAX. POWER	
	OUTPUT POWER(dBm)	OUTPUT POWER(mW)
5250~5350	11.39	13.772
5470~5725	13.16	20.701

2.5 EUT Maximum EIRP Power

Table 5: The EIRP Output Power List

IEEE 802.11a

FREQUENCY BAND (MHz)	MAX. POWER	
	OUTPUT POWER(dBm)	OUTPUT POWER(mW)
5250~5350	23.11	204.644
5470~5725	23.44	220.8

IEEE 802.11ac VHT20

FREQUENCY BAND (MHz)	MAX. POWER	
	OUTPUT POWER(dBm)	OUTPUT POWER(mW)
5250~5350	23.41	219.28
5470~5725	23.31	214.289

IEEE 802.11ac VHT40

FREQUENCY BAND (MHz)	MAX. POWER	
	OUTPUT POWER(dBm)	OUTPUT POWER(mW)
5250~5350	21.56	143.219
5470~5725	23.53	225.424

IEEE 802.11ac VHT80

FREQUENCY BAND (MHz)	MAX. POWER	
	OUTPUT POWER(dBm)	OUTPUT POWER(mW)
5250~5350	16.39	43.551
5470~5725	18.16	65.464

2.6 Transmit Power Control (TPC)

U-NII devices operating in the 5.25-5.35 GHz band and the 5.47-5.725 GHz band shall employ a TPC mechanism. The U-NII device is required to have the capability to operate at least 6 dB below the mean EIRP value of 30 dBm. A TPC mechanism is not required for systems with an e.i.r.p. of less than 500 mW.

Maximum EIRP of this device is 225.424mW which less than 500mW, therefore it's not require TPC function.

2.7 Statement of Manufacturer

Manufacturer statement confirming that information regarding the parameters of the detected Radar Waveforms is not available to the end user. **And the device doesn't have Ad Hoc mode on DFS frequency band.**

3. U-NII DFS Rule Requirements

3.1 Working Modes and Required Test Items

The manufacturer shall state whether the UUT is capable of operating as a Master and/or a Client. If the UUT is capable of operating in more than one operating mode then each operating mode shall be tested separately. See tables 6 and 7 for the applicability of DFS requirements for each of the operational modes.

Table 6: Applicability of DFS Requirements Prior To Use a Channel

Requirement	Operational Mode		
	Master	Client without radar detection	Client with radar detection
Non-Occupancy Period	✓	Not required	✓
DFS Detection Threshold	✓	Not required	✓
Channel Availability Check Time	✓	Not required	Not required
U-NII Detection Bandwidth	✓	Not required	✓

Table 7: Applicability of DFS Requirements During Normal Operation.

Requirement	Operational Mode	
	Master or Client with radar detection	Client without radar detection
DFS Detection Threshold	✓	Not required
Channel Closing Transmission Time	✓	✓
Channel Move Time	✓	✓
U-NII Detection Bandwidth	✓	Not required

Additional requirements for devices with multiple bandwidth modes	Master or Client with radar detection	Client without radar detection
U-NII Detection Bandwidth and Statistical Performance Check	All BW modes must be tested	Not required
Channel Move Time and Channel Closing Transmission Time	Test using widest BW mode available	Test using the widest BW mode available for the link
All other tests	Any single BW mode	Not required

Note: Frequencies selected for statistical performance check (Section 7.8.4) should include several frequencies within the radar detection bandwidth and frequencies near the edge of the radar detection bandwidth. For 802.11 devices it is suggested to select frequencies in each of the bonded 20 MHz channels and the channel center frequency.

3.2 Test Limits And Radar Signal Parameters

Detection Threshold Values

Table 8: DFS Detection Thresholds For Master Devices And Client Devices With Radar Detection

Maximum Transmit Power	Value (See Notes 1, 2, and 3)
EIRP \geq 200 milliwatt	-64 dBm
EIRP < 200 milliwatt and power spectral density < 10 dBm/MHz	-62 dBm
EIRP < 200 milliwatt that do not meet the power spectral density requirement	-64 dBm

Note 1: This is the level at the input of the receiver assuming a 0 dBi receive antenna.
 Note 2: Throughout these test procedures an additional 1 dB has been added to the amplitude of the test transmission waveforms to account for variations in measurement equipment. This will ensure that the test signal is at or above the detection threshold level to trigger a DFS response.
 Note3: EIRP is based on the highest antenna gain. For MIMO devices refer to KDB Publication 662911 D01.

Table 9: DFS Response Requirement Values

Parameter	Value
Non-occupancy period	Minimum 30 minutes
Channel Availability Check Time	60 seconds
Channel Move Time	10 seconds See Note 1.
Channel Closing Transmission Time	200 milliseconds + an aggregate of 60 milliseconds over remaining 10 second period. See Notes 1 and 2.
U-NII Detection Bandwidth	Minimum 100% of the U-NII 99% transmission power bandwidth. See Note 3

Note 1: Channel Move Time and the Channel Closing Transmission Time should be performed with Radar Type 0. The measurement timing begins at the end of the Radar Type 0 burst.
 Note 2: The Channel Closing Transmission Time is comprised of 200 milliseconds starting at the beginning of the Channel Move Time plus any additional intermittent control signals required to facilitate a Channel move (an aggregate of 60 milliseconds) during the remainder of the 10 second period. The aggregate duration of control signals will not count quiet periods in between transmissions.
 Note 3: During the U-NII Detection Bandwidth detection test, radar type 0 should be used. For each frequency step the minimum percentage of detection is 90 percent. Measurements are performed with no data traffic.

Parameters of DFS Test Signals

Step intervals of 0.1 microsecond for Pulse Width, 1 microsecond for PRI, 1 MHz for chirp width and 1 for the number of pulses will be utilized for the random determination of specific test waveforms.

Table 10: Short Pulse Radar Test Waveforms

Radar Type	Pulse Width (μsec)	PRI (μsec)	Number of Pulses	Minimum Percentage of Successful Detection	Minimum Number of Trials
0	1	1428	18	See Note 1	See Note 1
1	1	Test A: 15 unique PRI values randomly selected from the list of 23 PRI values in Table 5a <hr/> Test B: 15 unique PRI values randomly selected within the range of 518-3066 μ sec, with a minimum increment of 1 μ sec, excluding PRI values selected in Test A	$\text{Roundup} \left\{ \begin{array}{l} \left(\frac{1}{360} \right) \cdot \\ \left(\frac{19 \cdot 10^6}{\text{PRI}_{\mu\text{sec}}} \right) \end{array} \right\}$	60%	30
2	1-5	150-230	23-29	60%	30
3	6-10	200-500	16-18	60%	30
4	11-20	200-500	12-16	60%	30
Aggregate (Radar Types 1-4)				80%	120
Note 1: Short Pulse Radar Type 0 should be used for the detection bandwidth test, channel move time, and channel closing time tests.					

Table 11: Long Pulse Radar Test Waveform

Radar Type	Pulse Width (μsec)	Chirp Width (MHz)	PRI (μsec)	Number Of Pulses Per Burst	Number Of Bursts	Minimum Percentage Of Successful Detection	Minimum Number Of Trials
5	50-100	5-20	1000-2000	1-3	8-20	80%	30

Table 12: Frequency Hopping Radar Test Waveform

Radar Type	Pulse Width (μsec)	PRI (μsec)	Pulses per Hop	Hopping Rate (kHz)	Hopping Sequence Length (msec)	Minimum Percentage Of Successful Detection	Minimum Number Of Trials
6	1	333	9	0.333	300	70%	30

4. Test & Support Equipment List

4.1 Test Instruments

Table 13: Test Instruments List

Description & Manufacturer	Model No.	Brand	Date Of Calibration	Due Date Of Calibration
Spectrum Analyzer R&S	FSP40	100036	Jan. 22, 2015	Jan. 21, 2016
Vector Signal Generator Agilent	N5182B	MY53051263	Aug. 10, 2015	Aug. 09, 2016

4.2 Description of Support Units

Table 14: Support Unit Information.

No.	Product	Brand	Model No.	Fcc Id	SPEC.
1	WIRELESS AC MODULE	D-Link	WMC-AC01	RRK2012060056-1	The maximum EIRP is 27.64 dBm, Antenna Gain is 3.428dBi

NOTE: This device was functioned as a Master Slave device during the DFS test.

Table 15: Software/Firmware Information.

No.	Product	Model No.	Software/Firmware Version
1.	WIRELESS AC MODULE	WMC-AC01	1.00 Wed 06 Mar 2013

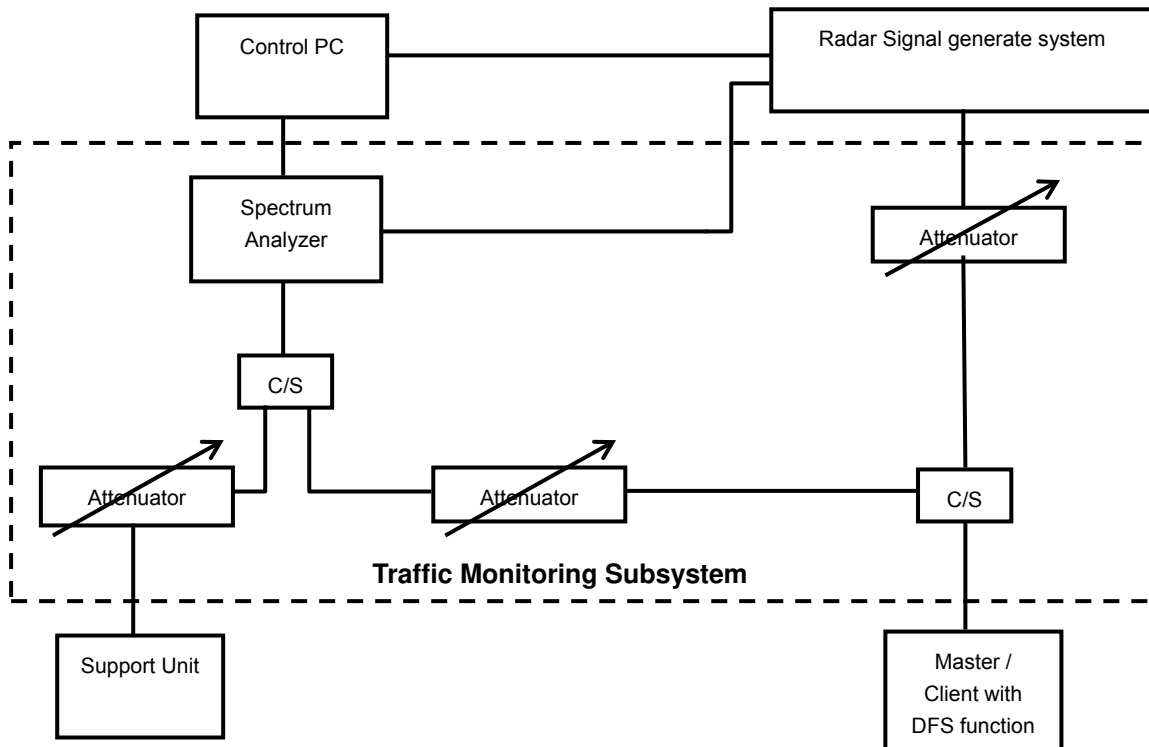
Note: This module WMC-AC01 was installed in the DIR-868L AP.

5. Test Procedure

5.1 DFS Measurement System

A complete DFS Measurement System consists of Radar signal generate system to generating the radar waveforms in Table 10, 11 and 12. The traffic monitoring system is specified to the type of unit under test (UUT).

Conducted Setup Configuration of ADT DFS Measurement System



Channel Loading

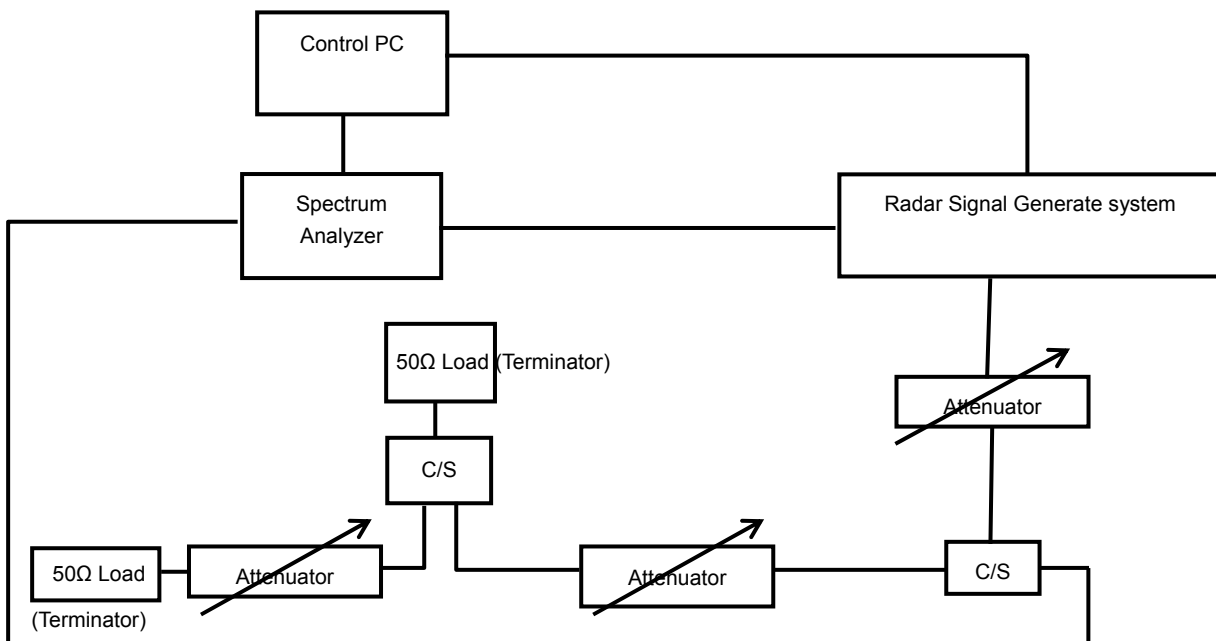
System testing will be performed with channel-loading using means appropriate to the data types that are used by the unlicensed device. The following requirements apply:

a)	The data file must be of a type that is typical for the device (i.e., MPEG-2, MPEG-4, WAV, MP3, MP4, AVI, etc.) and must generally be transmitting in a streaming mode.	
b)	Software to ping the client is permitted to simulate data transfer but must have random ping intervals.	
c)	Timing plots are required with calculations demonstrating a minimum channel loading of approximately 17% or greater.	✓
d)	Unicast or Multicast protocols are preferable but other protocols may be used. The appropriate protocol used must be described in the test procedures.	

5.2 Calibration of DFS Detection Threshold Level

The measured channel is 5500 MHz in 20MHz Bandwidth, 5510MHz in 40MHz Bandwidth and 5530 MHz in 80MHz Bandwidth. The radar signal was the same as transmitted channels, and injected into the antenna port of AP (master) or Client Device with Radar Detection, measured the channel closing transmission time and channel move time. The Master antenna gain is 3.428dBi and required detection threshold is $-64 + 1 + 3.428$. The calibrated conducted detection threshold level is set to -59.572 dBm.

Conducted Setup Configuration of Calibration of DFS Detection Threshold Level

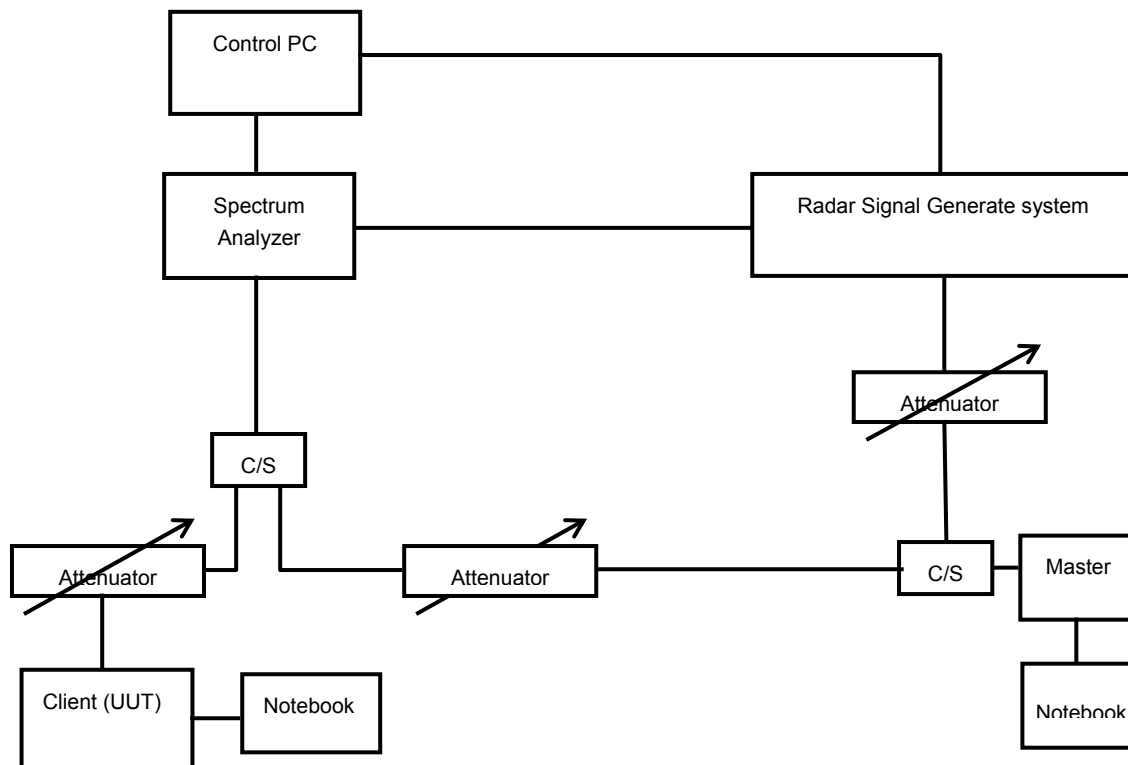


5.3 Deviation from Test Standard

No deviation.

5.4 Conducted Test Setup Configuration

5.4.1 Client without Radar Detection Mode



The UUT is a U-NII Device operating in Client mode without radar detection. The radar test signals are injected into the Master Device.

6. Test Results

6.1 Summary of Test Results

CLAUSE	TEST PARAMETER	REMARKS	PASS/FAIL
15.407	DFS Detection Threshold	Not Applicable	NA
15.407	Channel Availability Check Time	Not Applicable	NA
15.407	Channel Move Time	Applicable	Pass
15.407	Channel Closing Transmission Time	Applicable	Pass
15.407	Non- Occupancy Period	Applicable	Pass
15.407	U-NII Detection Bandwidth	Not Applicable	NA
15.407	Non-associated test	Applicable	Pass
15.407	Non-Co-Channel test	Applicable	Pass

6.2 Test Results

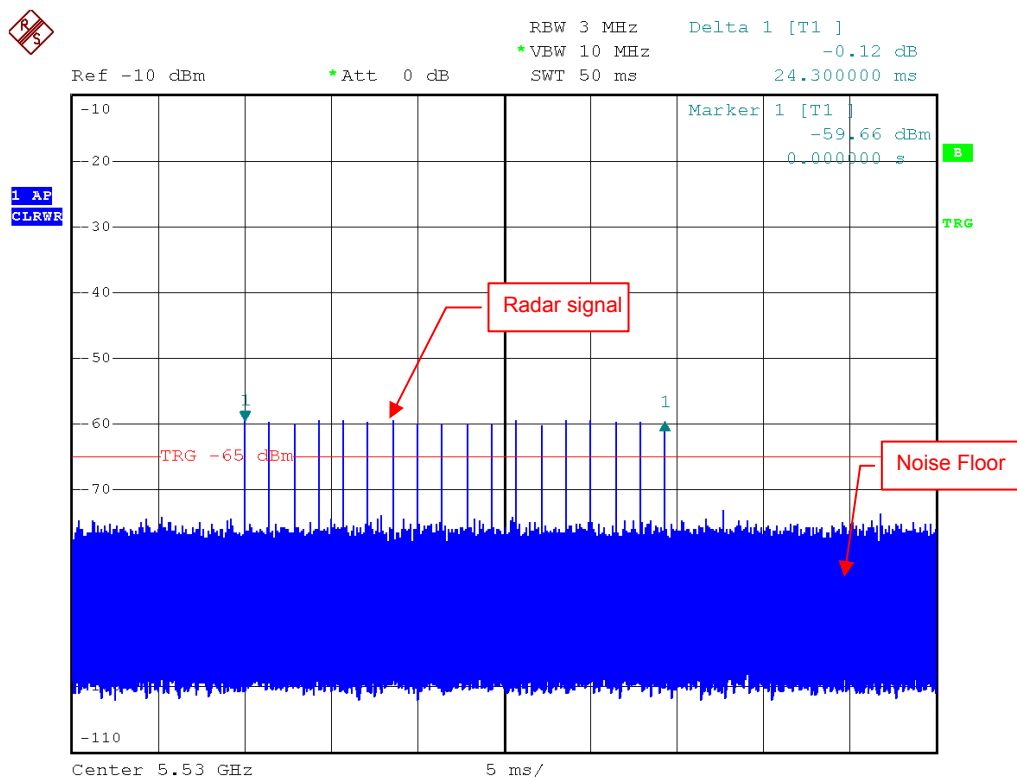
6.2.1 Test Mode: Device Operating In Client Without Radar Detection Mode.

The radar test signals are injected into the Master Device.
 This test was investigated for different bandwidth (20MHz - 40MHz and 80MHz).
 The following plots was done on 80MHz as a representative

DFS Detection Threshold

The Required detection threshold is -59.572dBm ($= -64 + 1 + 3.428$).

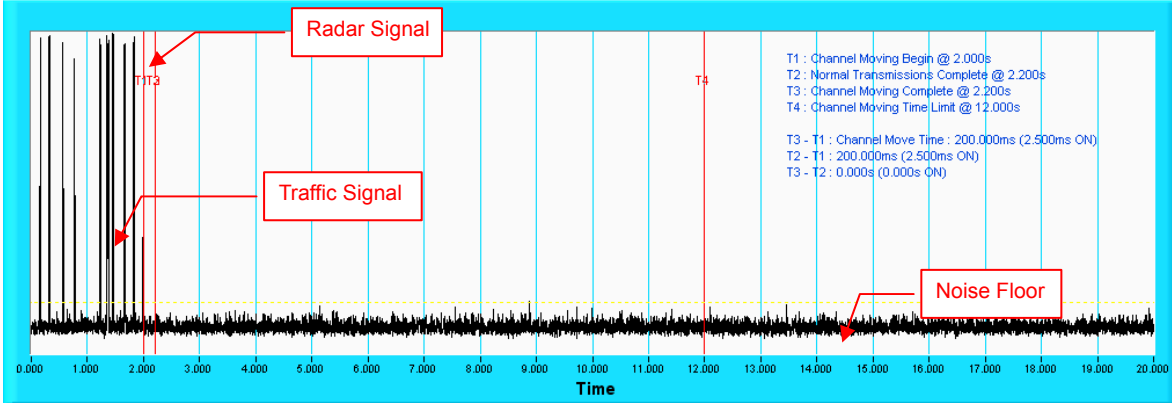
The conducted radar burst level is lower than -59.572dBm .



Radar Signal 0

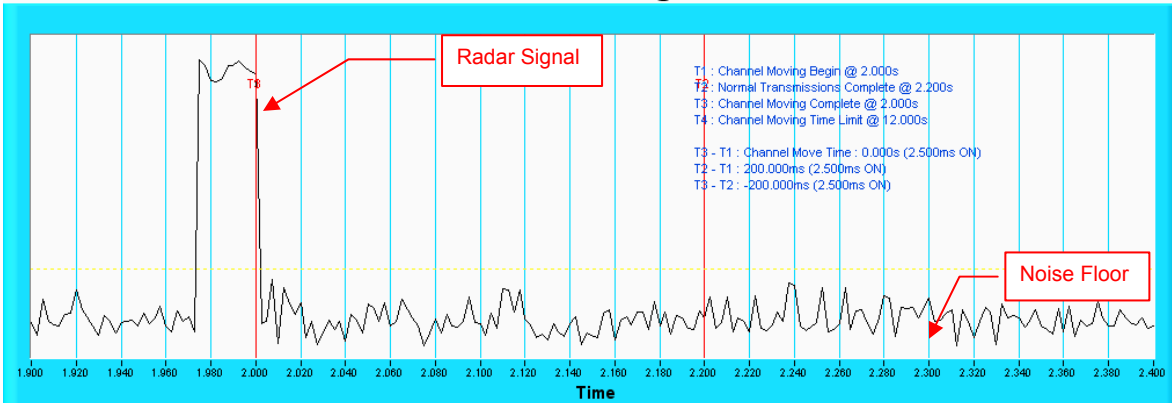
6.2.2 Channel Closing Transmission and Channel Move Time

Channel Closing Transmission Time & Channel Move Time @ CH 106 -5530MHz



NOTE: T1 denotes the start of Channel Move Time upon the end of the last Radar burst. T2 denotes the data transmission time of 200ms from T1. T4 denotes the 10 second from T1 to observe the aggregate duration of transmissions.

Channel Closing Transmission Time & Channel Move Time @ CH 106 -5530MHz

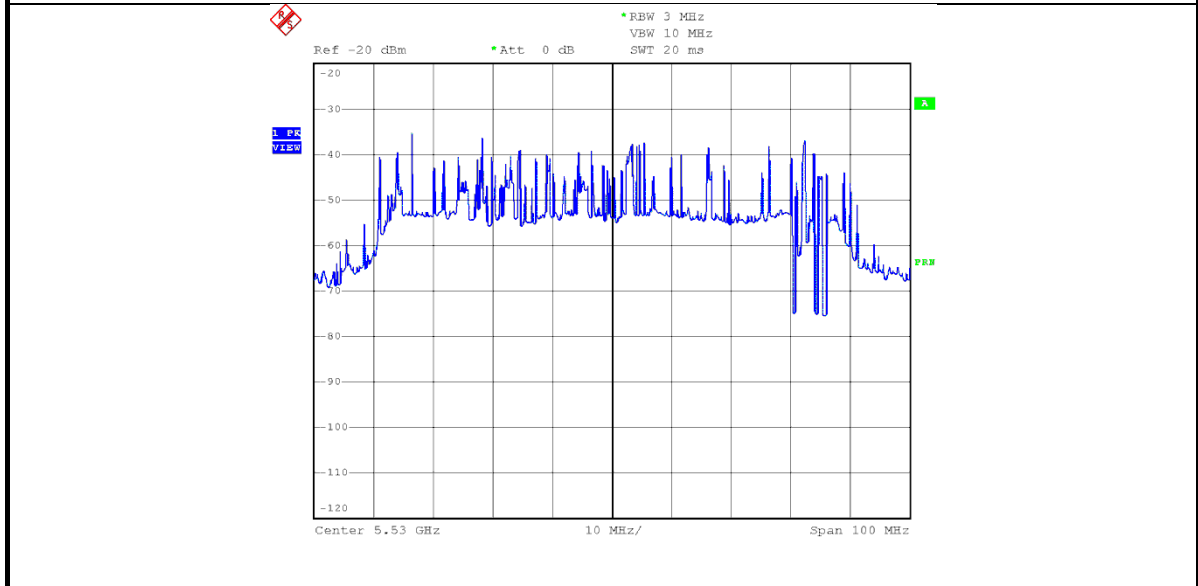


NOTE: An expanded plot for the device vacates the channel in the required 500ms.

6.2.3 Non-Occupancy Period

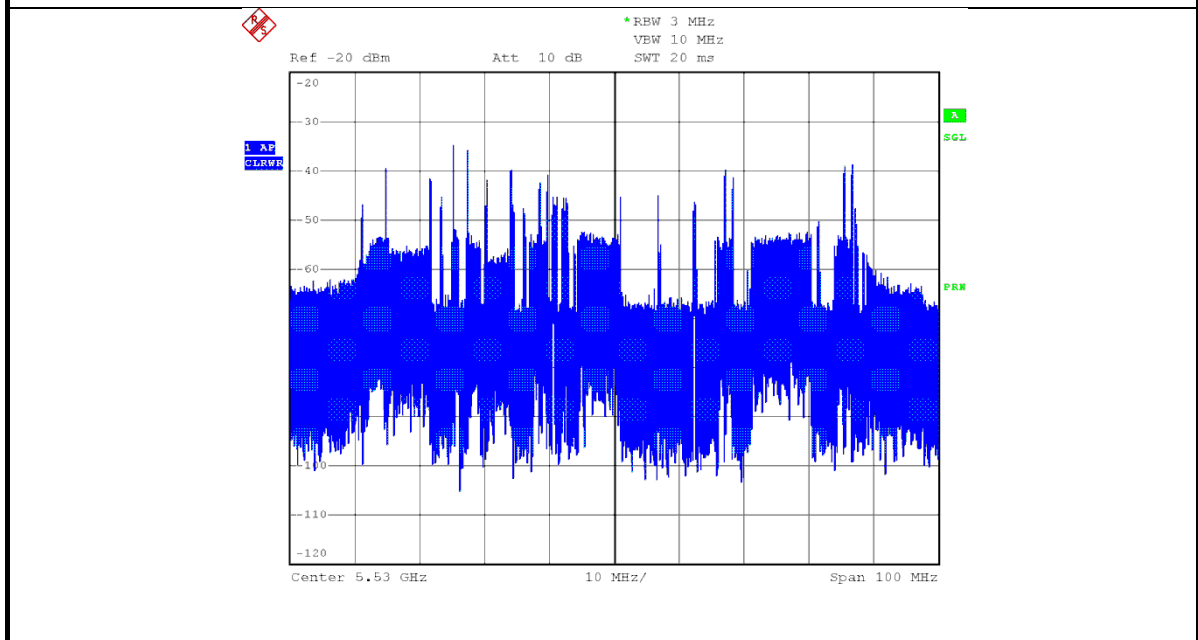
ASSOCIATED TEST

1) Test results demonstrating an associated client link is established with the master on a test frequency.



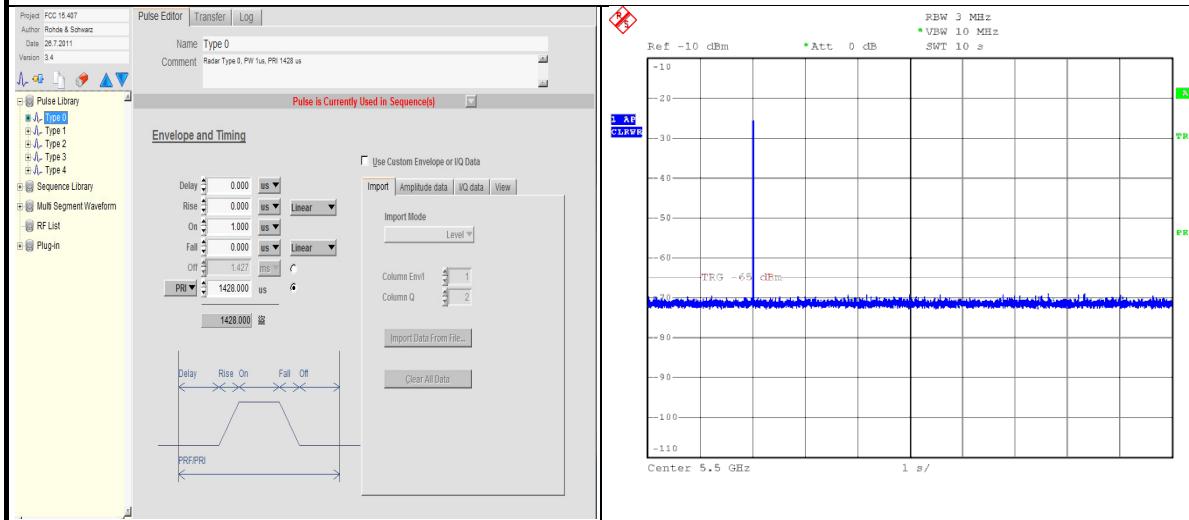
EUT (Client) links with master on 5530MHz

2) The client and DFS-certified master device are associated, and system testing will be performed with channel-loading for a non-occupancy period test.



Client performed with channel-loading via master.

3). The device transmits one type of radar as specified in the DFS Order.

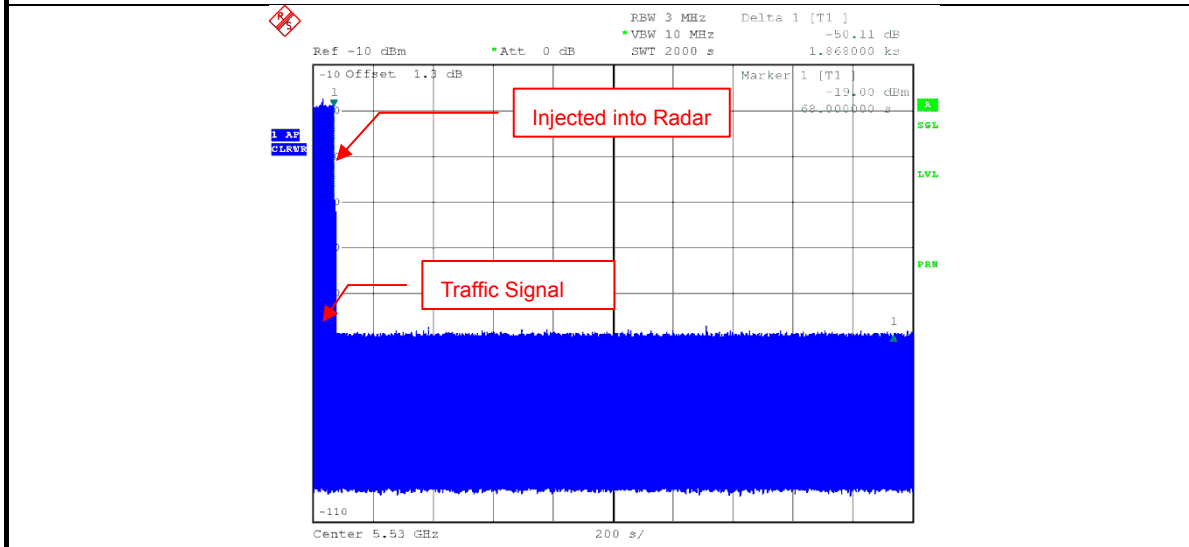


Radar 0 is used to test during DFS testing.

4) The test frequency has been monitored to ensure no transmission of any type has occurred for 30 minutes;

Note: If the client moves with the master, the device is considered compliant if nothing appears in the client non-occupancy period test. For devices that shut down (rather than moving channels), no beacons should appear;

5)An analyzer plot that contains a single 30-minute sweep on the original test frequency.

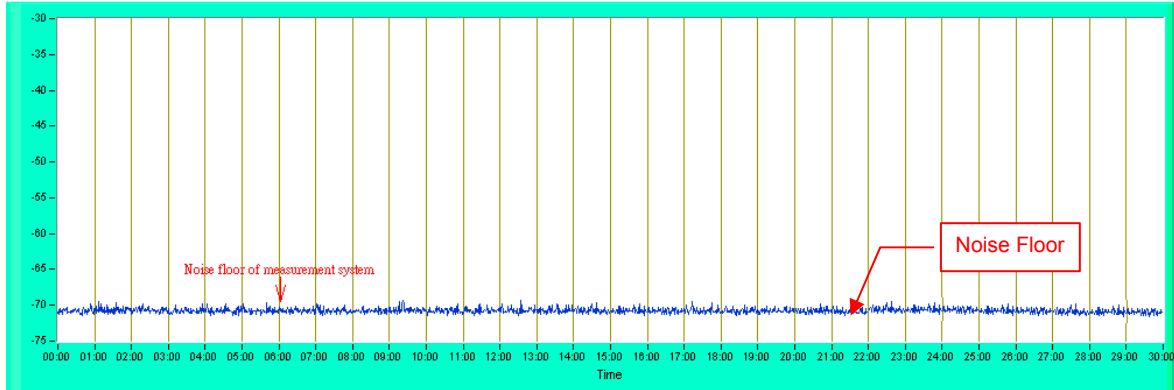


6.2.4 Non-Associated Test

Master was off.

During the 30 minutes observation time, The UUT did not make any transmissions in the DFS band after UUT power up.

Non - Associated Test @ CH 106 - 5530 MHz



6.2.5 Non- Co-Channel Test

The UUT was investigated after radar was detected the channel and made sure no co-channel operation with radars.

7. Information on the Testing Laboratories

We, Bureau Veritas Consumer Products Services (H.K.) Ltd., Taoyuan Branch, were founded in 1988 to provide our best service in EMC, Radio, Telecom and Safety consultation. Our laboratories are accredited and approved according to ISO/IEC 17025.

If you have any comments, please feel free to contact us at the following:

Linko EMC/RF Lab:

Tel: 886-2-26052180

Fax: 886-2-26051924

Hsin Chu EMC/RF/Telecom Lab:

Tel: 886-3-6668565

Fax: 886-3-6668323

Hwa Ya EMC/RF/Safety Lab:

Tel: 886-3-3183232

Fax: 886-3-3270892

Email: service.adt@tw.bureauveritas.com

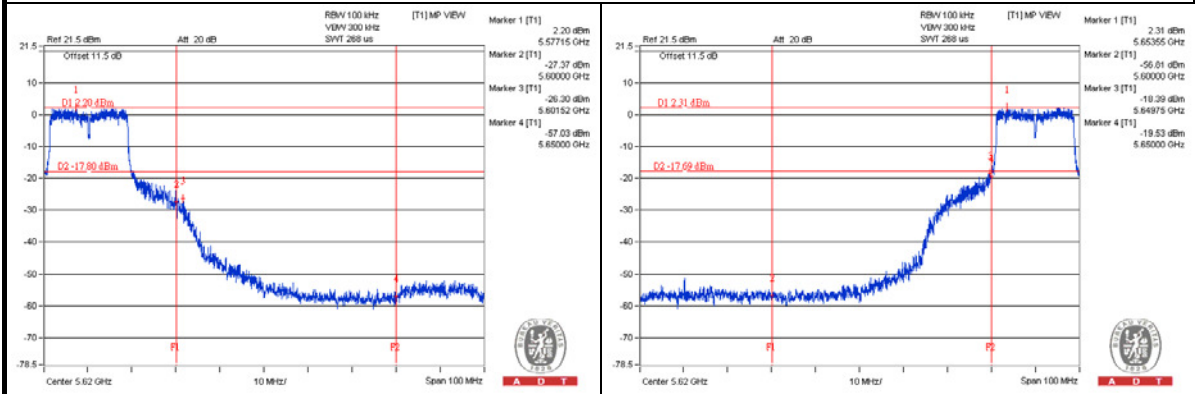
Web Site: www.bureauveritas-adt.com

The address and road map of all our labs can be found in our web site also.

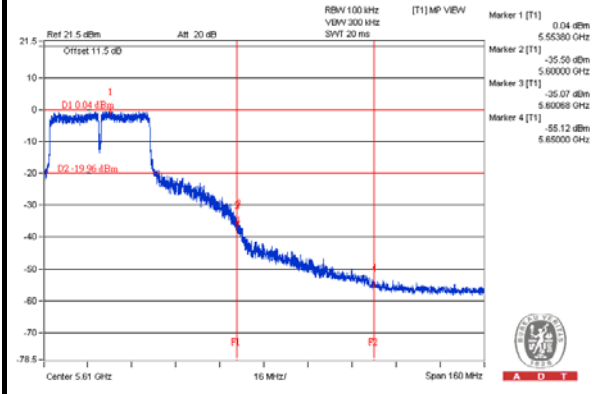
8. APPENDIX-A

NOTCH BAND IN 5600-5650MHZ

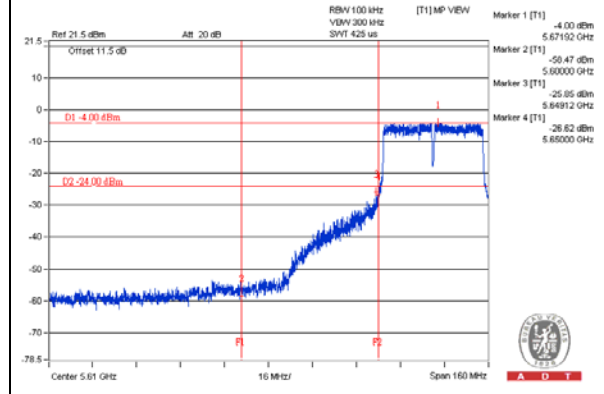
Verify that the 5600 – 5650 MHz band is notched.
 Test results demonstrating last channel shall not exceed the band edge on 5600~5650MHz.



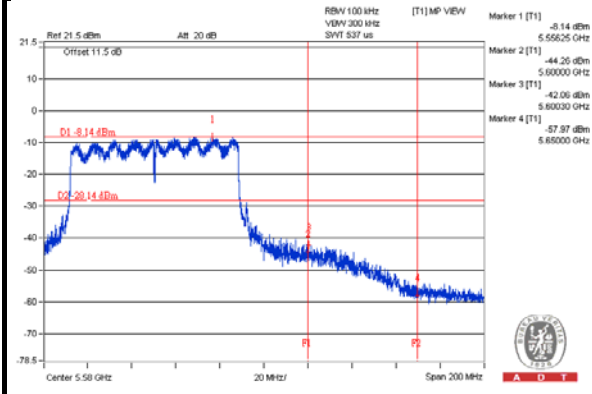
802.11ac (VHT20) MODULATION (CH 116: 5580MHz)



802.11ac (VHT20) MODULATION (CH 132: 5660MHz)



802.11ac (VHT40) MODULATION (CH 110: 5550MHz)



802.11ac (VHT40) MODULATION (CH 134: 5670MHz)

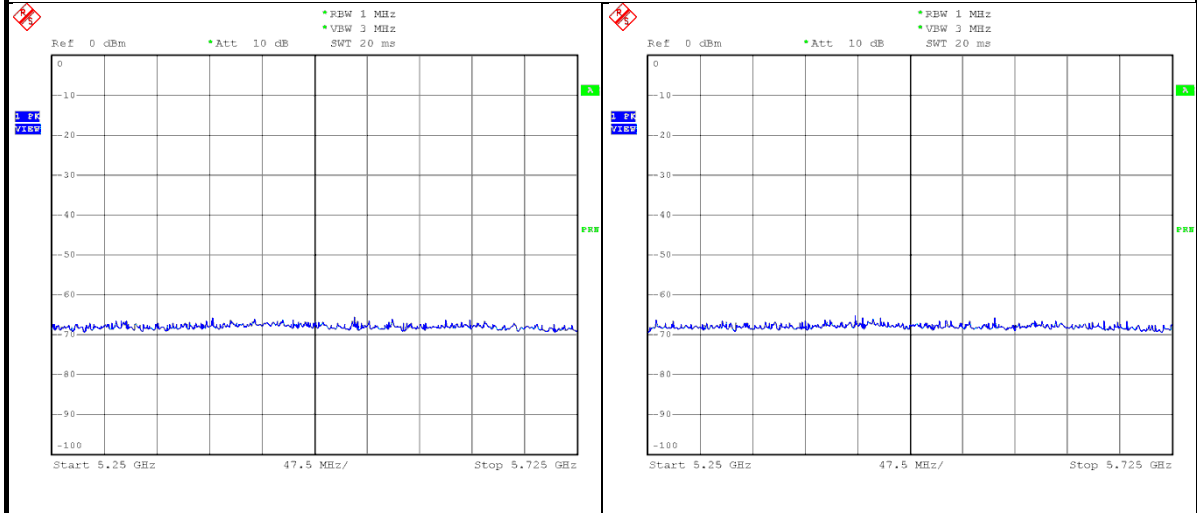


802.11ac (VHT80) MODULATION (CH 106: 5530MHz)



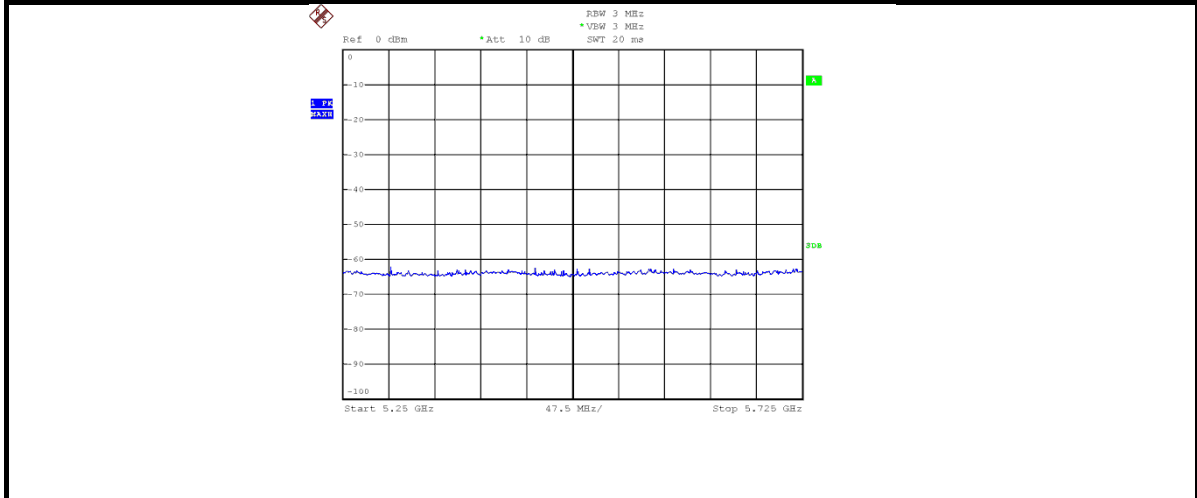
NON BEACON ON DFS BAND

- 1) Test results demonstrating no any beacon on DFS band after power up.
- 2) Observation time is 10min after power up.



EUT (Client) links with master on 802.11ac (VHT20) mode

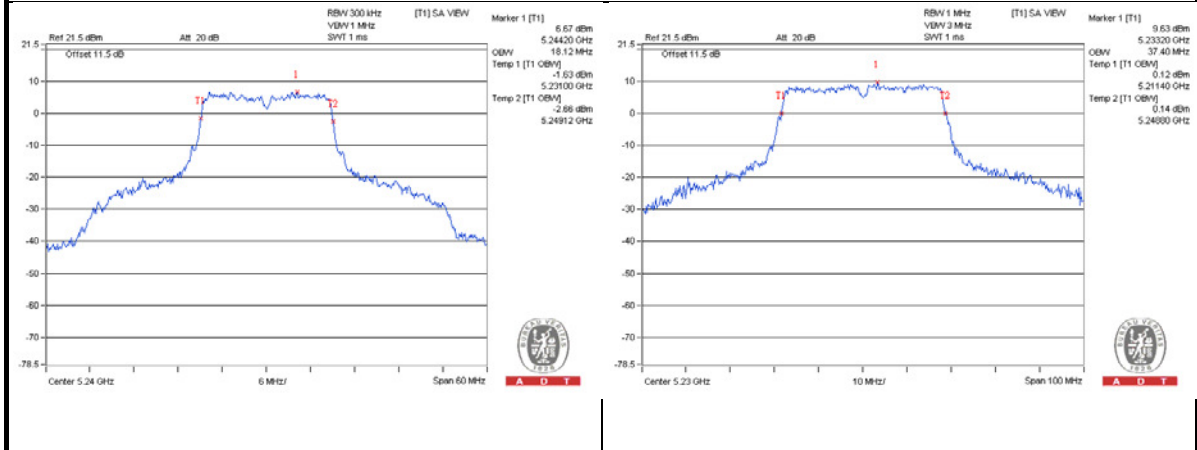
EUT (Client) links with master on 802.11ac (VHT40) mode



EUT (Client) links with master on 802.11ac (VHT80) mode

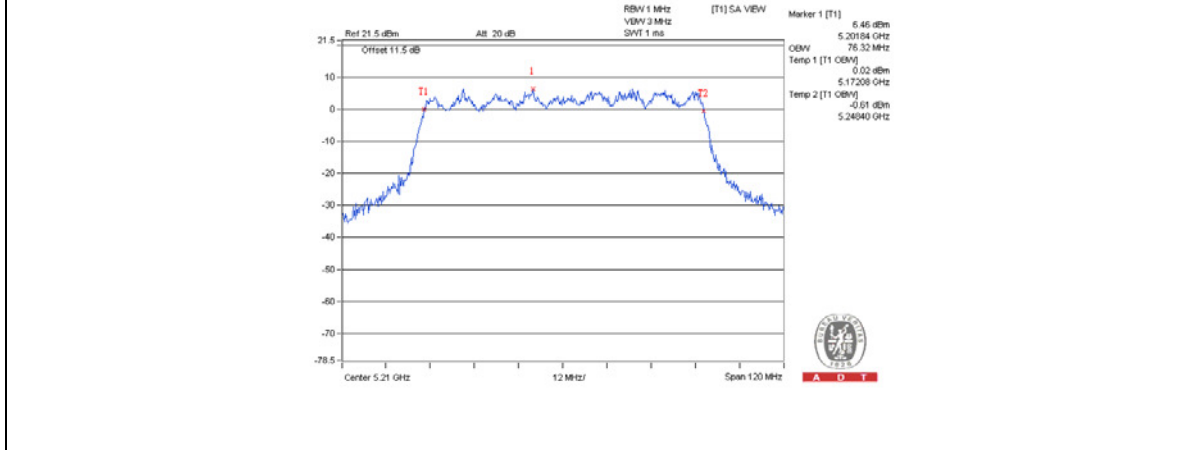
BAND EDGE AT NEARBY DFS BAND

1) Test results demonstrating last channel (99% Occupied Bandwidth) shall not exceed the band edge on 5150~5250MHz.



EUT(Client) links with master on 802.11ac (VHT20) mode

EUT(Client) links with master on 802.11ac (VHT40) mode



EUT(Client) links with master on 802.11ac (VHT80) mode

--- END ---