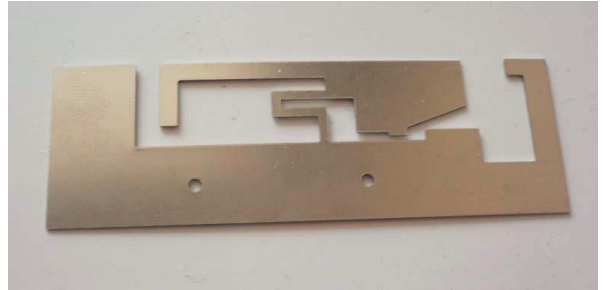


## Features

- Dual band IEEE 802.11 a/b/g/n standard
- On-board mount or case mounting
- High efficiency
- Quick integration

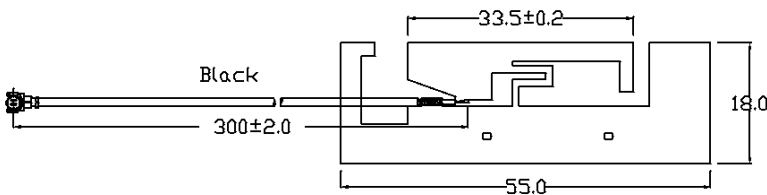


## Specification

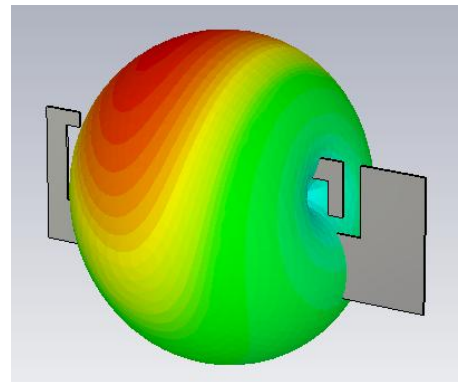
Frequency (MHz)	2400 -2500	4900 - 5825
Peak Gain (dBi)	3.5	5.0
VSWR	2.0 : 1	2.0 : 1
Power (Watts)	1	1
Impedance (Ohms)	50	50
Dimension (mm)	55 x 18 x 0.3	
Weight (g)	3	
Connector	IPEX MHF4	
Cable length (mm)	300	

Antenna type:PIFA Antenna

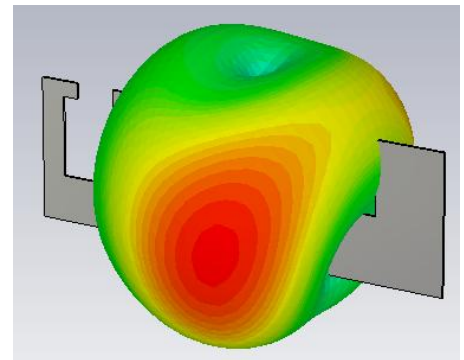
## Mechanical Dimensions



## Gain Pattern



2450 MHz



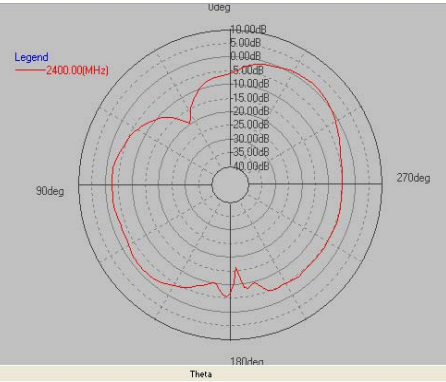
5470 MHz

## Gain Table

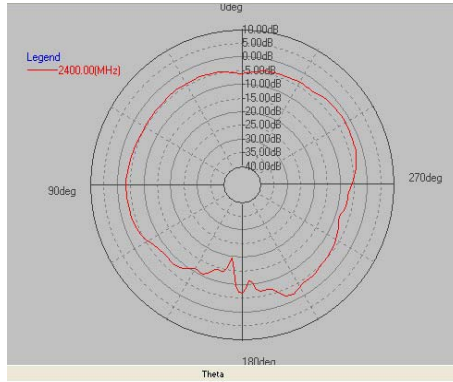
	Ant					
Frequency (MHz)	2400	2450	2500	5150	5470	5850
Peak Gain(dBi)	3.2	3.5	3.4	4.5	5.0	4.4
Efficiency(%)	60	61	60	62	66	60

## 2D Pattern

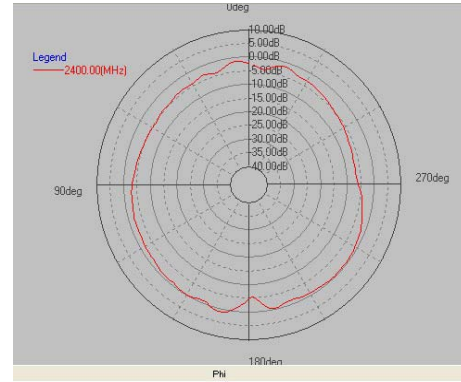
### 2.4GHz



X-Z plane

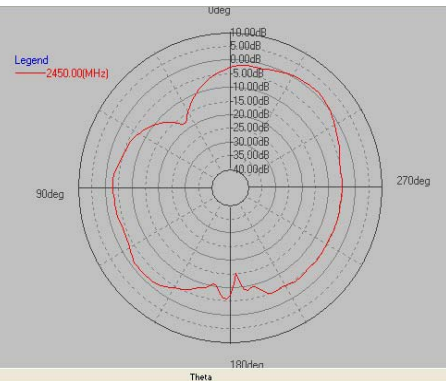


Y-Z plane

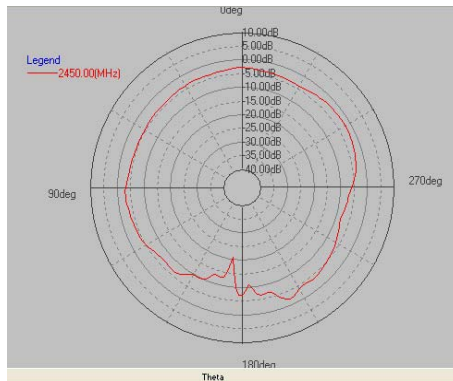


X-Y plane

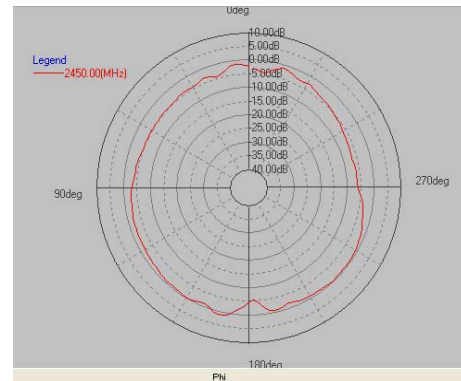
### 2.45GHz



X-Z plane



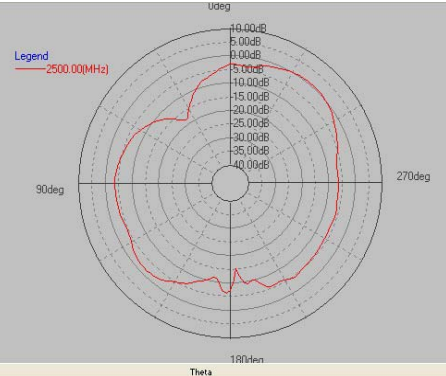
Y-Z plane



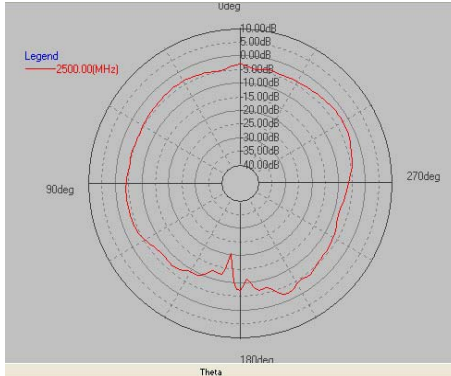
X-Y plane

## 2D Pattern

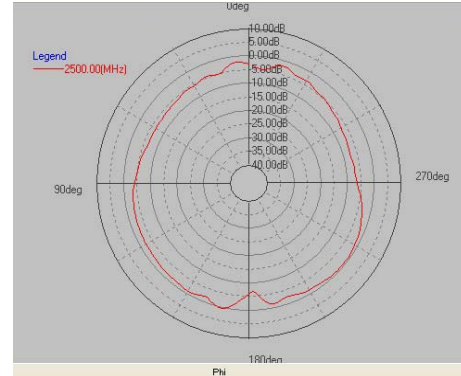
### 2.5GHz



X-Z plane

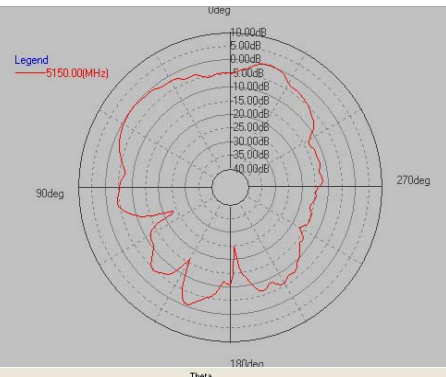


Y-Z plane

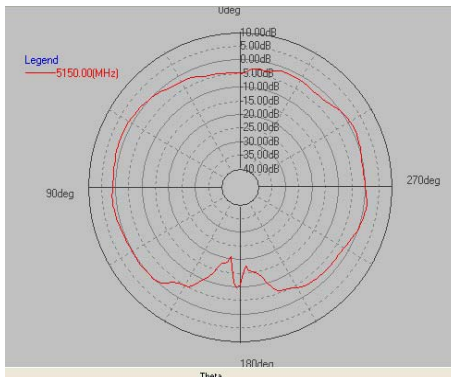


X-Y plane

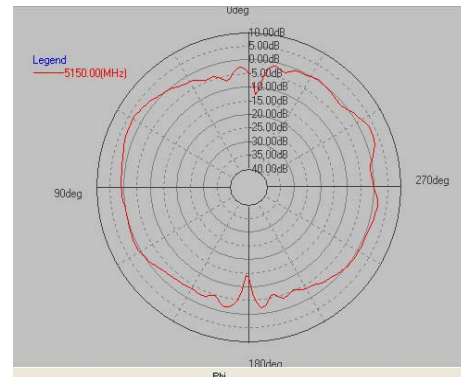
### 5.15 GHz



X-Z plane



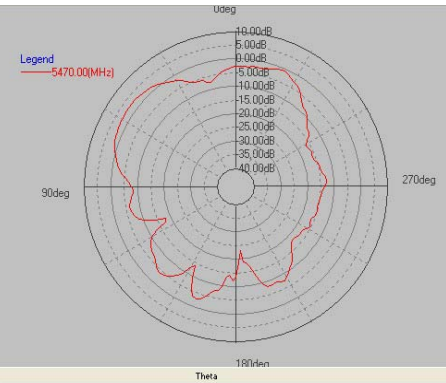
Y-Z plane



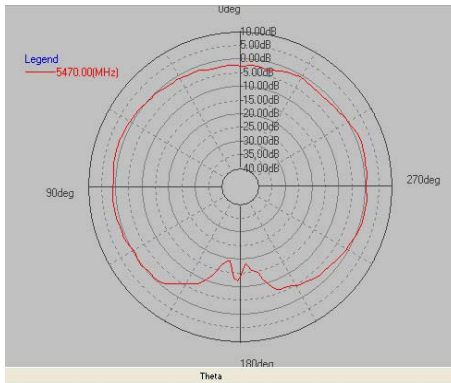
X-Y plane

## 2D Pattern

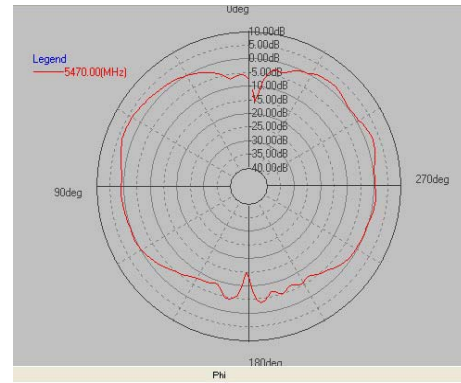
### 5.47GHz



X-Z plane

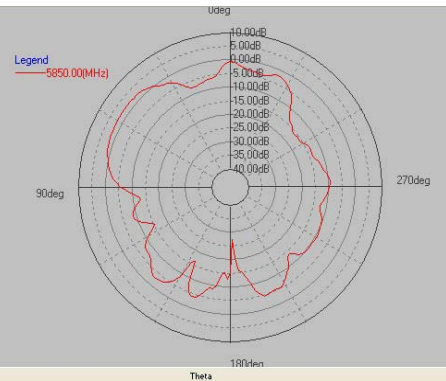


Y-Z plane

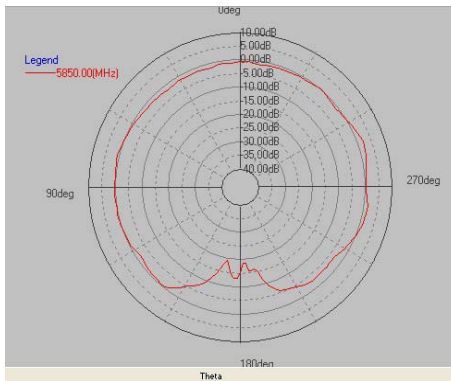


X-Y plane

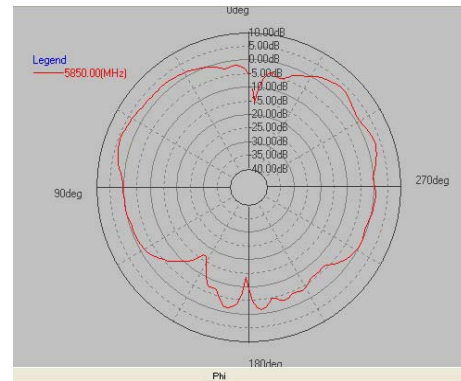
### 5.85 GHz



X-Z plane



Y-Z plane



X-Y plane