

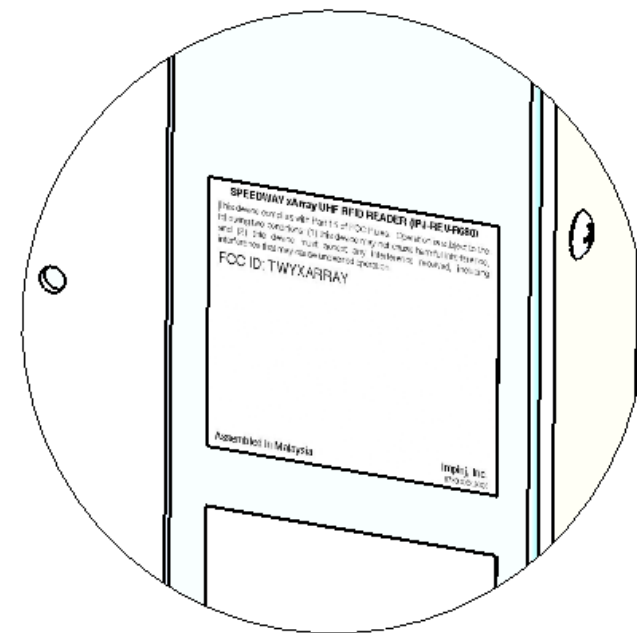
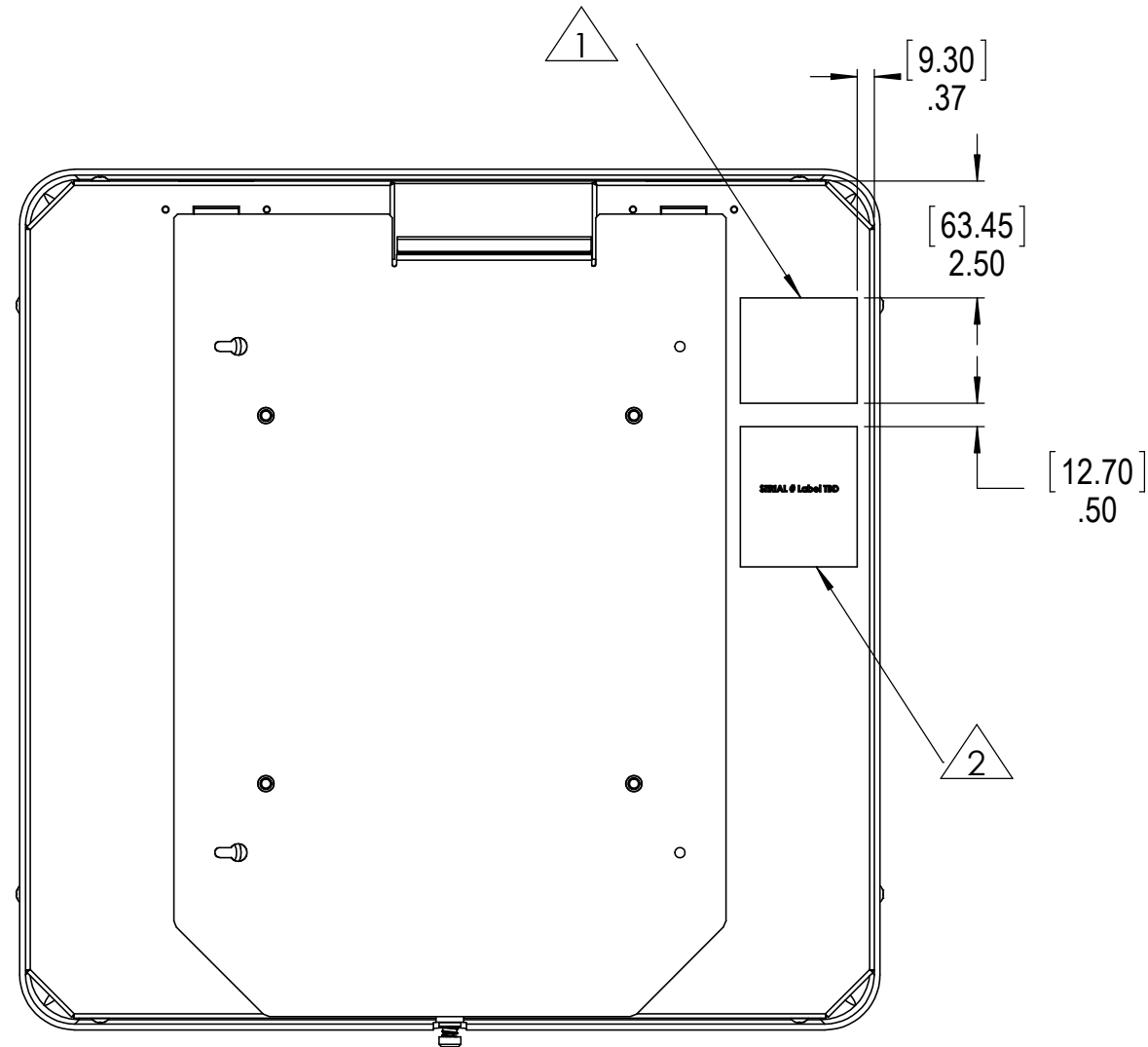
NOTES:

1 XARRAY FCC LABEL - 2.25 IN x 2.5 IN (xArray_common_product_label_v1.pdf)

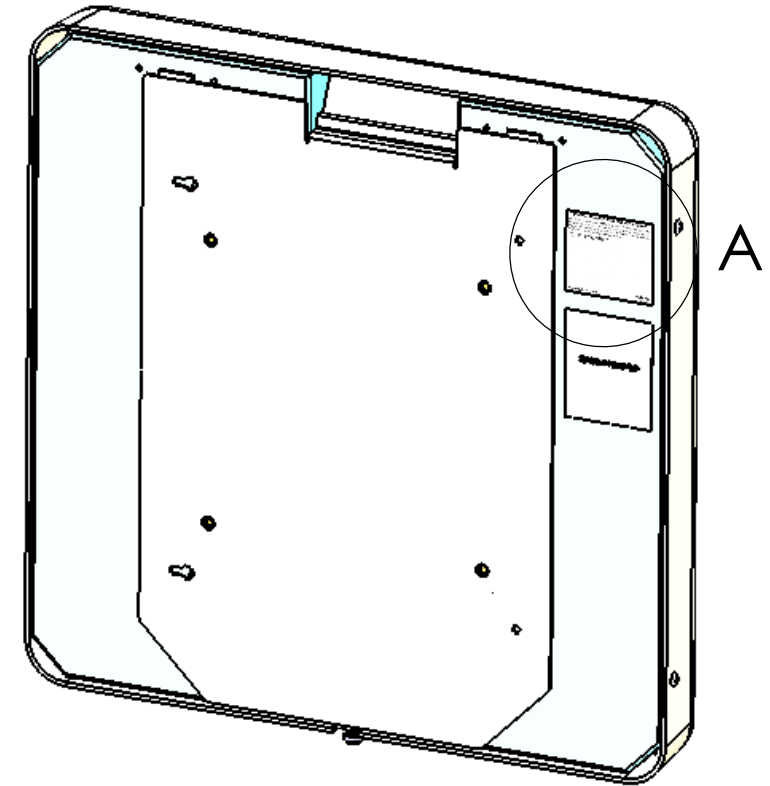
2 XARRAY SERIAL LABEL - 3 IN x 2.5 IN


3. ALL DIMENSIONS OFF OF BACKPLANE EDGE

REVISIONS				
ZONE	REV.	DESCRIPTION	DATE	APPROVED



DETAIL A
SCALE 1 : 1.5



ALL COMPONENTS AND MATERIALS TO BE ROHS COMPLIANT DIMENSIONS: IN [MM] TOLERANCES UNLESS OTHERWISE SPECIFIED: X = ± 0.04" X.X = ± 0.02" X.XX = ± 0.01" X.XXX = ± 0.005" HOLE = ± 0.003" ANGULAR: MACH ± 0.5° BEND ± 1.0°		NAME	DATE	 701 N. 34th Street Suite 300 Seattle, WA 98103 206-517-5300 WWW.IMPINJ.COM
	DRAWN			
	CHECKED			
	ENG APPR.			
				TITLE:
				xArray Label Loc
				SIZE DWG. NO. REV
				LabelLocation A00+
				SCALE: 1:4 WEIGHT: 23.19 SHEET 1 OF 1

PROPRIETARY AND CONFIDENTIAL
 THE INFORMATION CONTAINED IN THIS DRAWING IS THE SOLE PROPERTY OF IMPINJ, INC. ANY REPRODUCTION IN PART OR AS A WHOLE WITHOUT THE WRITTEN PERMISSION OF IMPINJ, INC. IS PROHIBITED.

MATERIAL	SEE NOTES
FINISH	SEE NOTES
DO NOT SCALE DRAWING	