

**Notes**

Stock label color: Black

Text color: White

Gloss: Level between 8 and 20

HLA Number: XX = Major Revision, Y = Minor Revision

PCBA Number: XX = Major Revision, Y = Minor Revision

Ethernet MAC Address: W = Serialized digits for MAC Address

Serial Number: V = Serialized digits for Serial Number

Model Number:

X = Region Identifier - 3 = Global

Y = Port Identifier --> 1 = 1-port; 2 = 2-port; 4 = 4-port

Z = Feature Identifier --> 1 = no added features

QR Code:

1. The following information should be encoded into QR code on the HLA and FG QR code label: HLA number, PCBA number, Ethernet Mac Address, Model Number and Serial Number.

2. The following format should be used when encoding and readout of the QR code: HLA:103000-XXY\r\nPCBA:102900-XXY\r\nETH MAC:00:16:25:WW:WW:WW\r\nMODEL:IPJ-R700-XYZ\r\nSERIAL:VVVVVVVVVV



#### Notes

Material: Matte lamination

Stock label color: Black

Gloss: Level between 8 and 20

Text color: White

X = Serialized Digits



### Notes

Material:

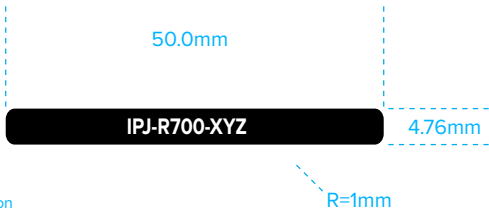
Stock label color: Black

Gloss: Level between 8 and 20

Text color: White

X = Serial Number

Serial number should be 11 digits long.



#### Notes

Material: Matte lamination

Stock label color: Black

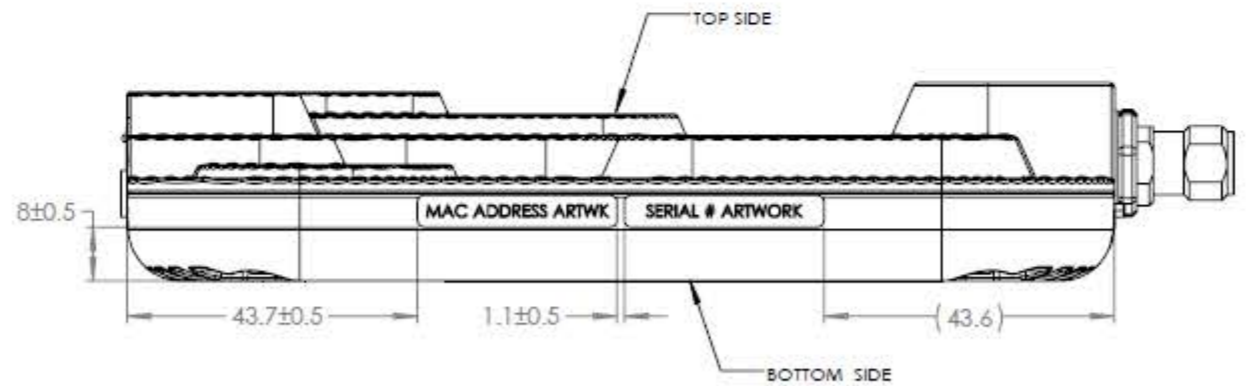
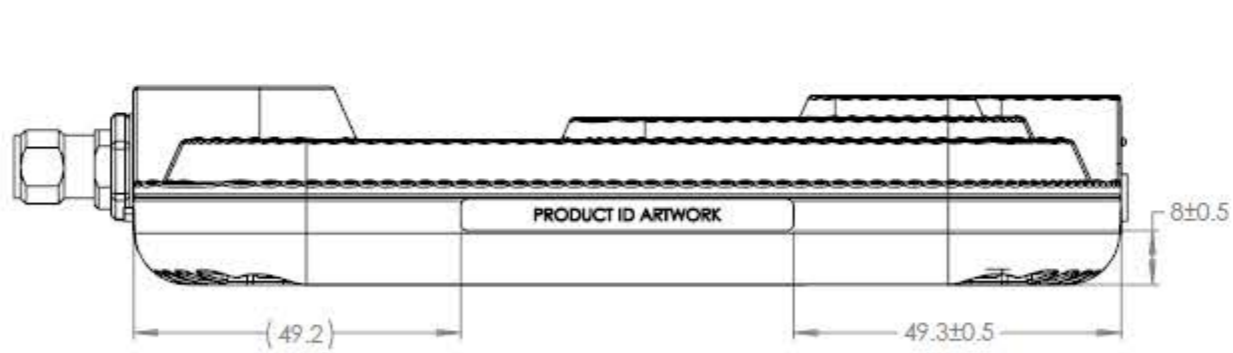
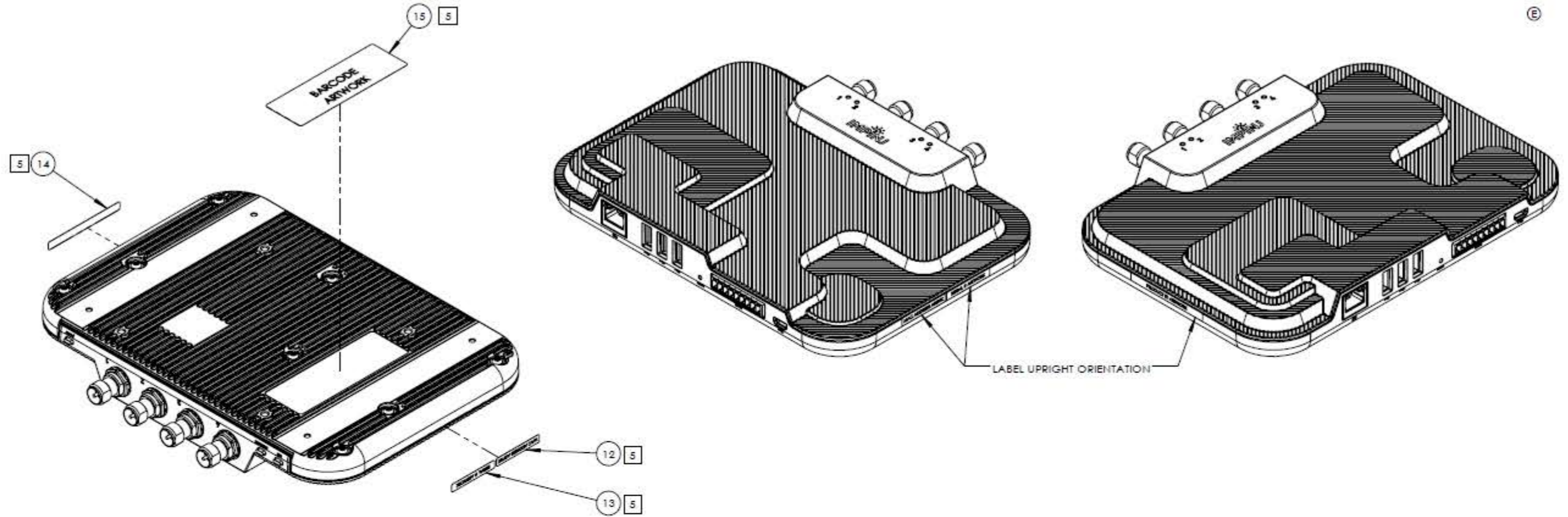
Gloss: Level between 8 and 20

Text color: White

X = Region Identifier - 1 = FCC; 2 = EU; 3 = FCC/GX; 4 = Japan;

Y = Port Identifier --> 1 = 1-port; 2 = 2-port; 4 = 4-port

Z = Feature Identifier --> 0 = no mounting brackets; 1 = mounting brackets



PROPRIETARY AND CONFIDENTIAL  
 THE INFORMATION CONTAINED IN THIS DRAWING IS THE SOLE PROPERTY OF IMPINJ, INC. ANY REPRODUCTION IN PART OR AS A WHOLE WITHOUT THE WRITTEN PERMISSION OF IMPINJ, INC. IS PROHIBITED.

		400 Fairview Ave N, Suite 1200 Seattle, WA 98109 206-517-5300 WWW.IMPINJ.COM	
		SIZE <b>B</b>	DWG. NO. <b>102426-01</b>
SCALE: 1:2		WEIGHT: n/a	SHEET 4 OF 4