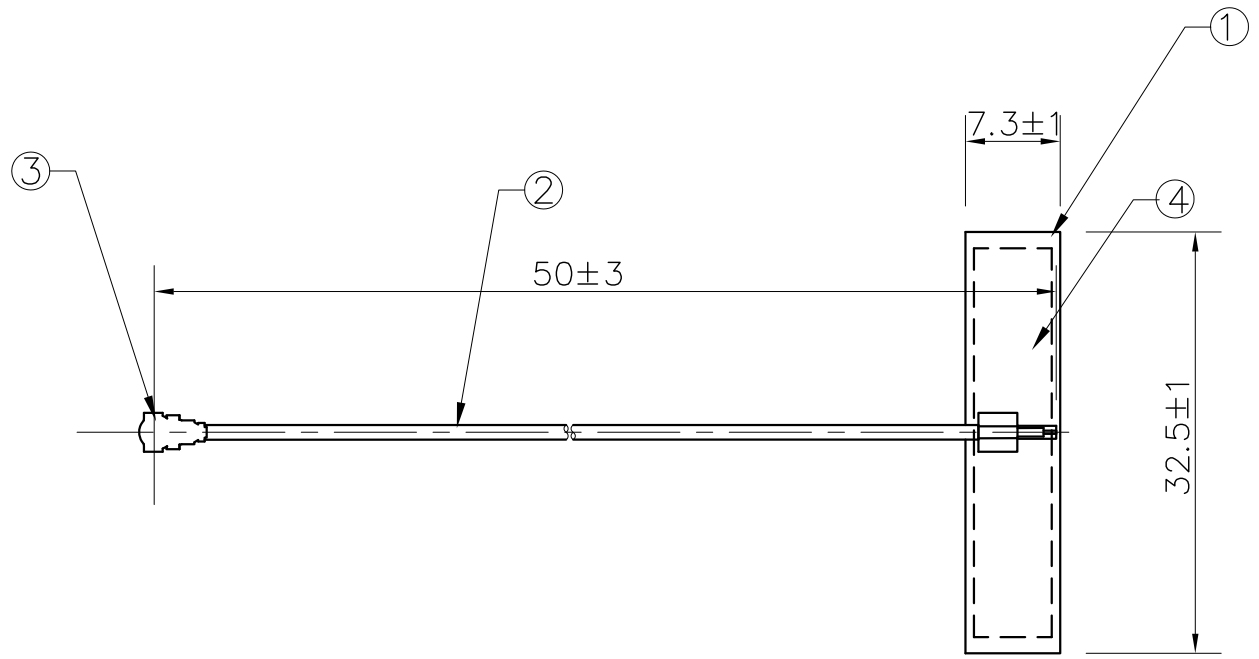


NO.	NAME	FINISH	MAT'L	Q'TY	MEMO
1.	PCB	BLACK	FR4	1	
2.	Cable	GRAY	--	1	∅1.13
3.	Connector	GOLD PLATED	BRASS	1	TNOV
4.	Tape	--	--	1	30*6



**ARISTOTLE** 亞 驪 企 業 股 份 有 限 公 司  
 ENTERPRISES INC.

				PROJECTION	UNITS	mm	TITLE	SHEET
					SCALE	1/1	RFA-02-P120-70-50	1/1
					PAPER	A4		REV.
4.				APPD.			DWG NO.	
3.				CHKD			RFA-02-P120-70-50	A
2.				DESIGN				
1.				DRAW	Vince Tsai	013/01/13		
REV	ECN	NAME	DATE					

### Top Antenna

Discription: 2400~2500 MHz

Chamber: RT-SATIMO STARLAB

Scanning: 1X

With Test Cable (D1.13mm; L100 mm; IPEX)

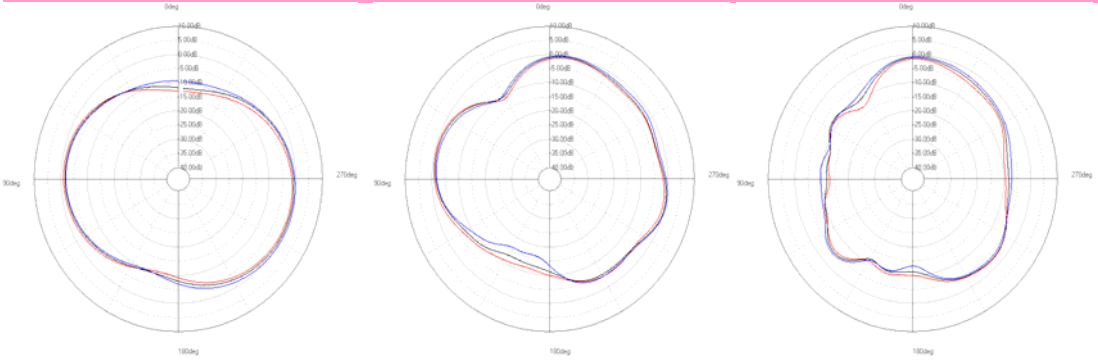
Frequency (MHz)	3D			V+H Avg. Gain			V+H Peak Gain		
	Efficiency	Avg. Gain	Peak Gain	XY-plane	YZ-plane	ZX-plane	XY-plane	YZ-plane	ZX-plane
2400	37%	-4.4	1.5	-4.2	-3.7	-6.4	-0.9	-0.5	-1.8
2450	38%	-4.3	2.0	-4.0	-3.6	-5.9	-0.3	0.1	-1.4
2500	41%	-3.9	2.3	-3.6	-3.4	-5.5	0.4	0.5	-1.0

XY-plane

YZ-plane

ZX-plane

Legend  
 — 2400(MHz)  
 — 2450(MHz)  
 — 2500(MHz)



### Bottom Antenna

Discription: 2400~2500 MHz

Chamber: RT-SATIMO STARLAB

Scanning: 1X

With Test Cable (D1.13mm; L100 mm; IPEX)

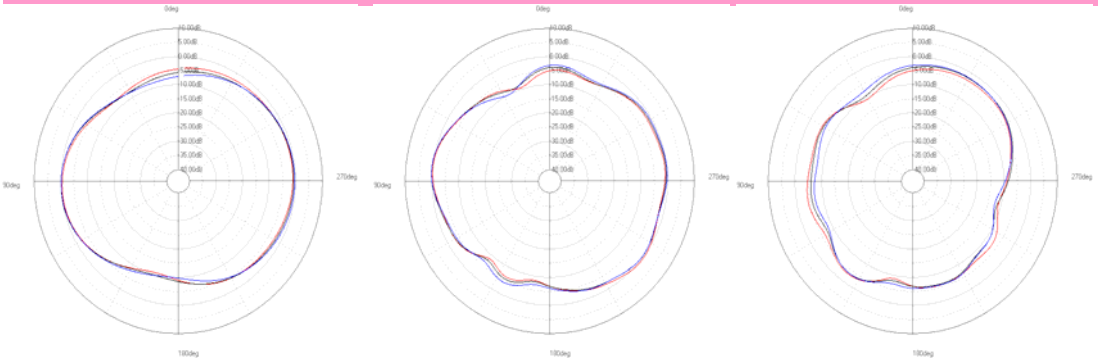
Frequency (MHz)	3D			V+H Avg. Gain			V+H Peak Gain		
	Efficiency	Avg. Gain	Peak Gain	XY-plane	YZ-plane	ZX-plane	XY-plane	YZ-plane	ZX-plane
2400	40%	-4.0	0.5	-3.4	-3.1	-5.7	-0.4	0.3	-3.0
2450	39%	-4.1	0.3	-3.3	-3.0	-5.7	0.0	0.3	-2.3
2500	40%	-4.0	0.3	-3.3	-2.8	-5.6	-0.1	0.3	-2.1

XY-plane

YZ-plane

ZX-plane

Legend  
 — 2400(MHz)  
 — 2450(MHz)  
 — 2500(MHz)



**PORT1 Top Antenna**  
**PORT2 Bottom Antenna**

