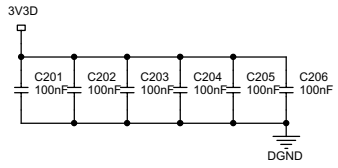
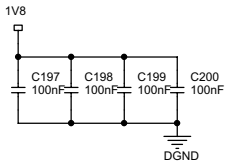
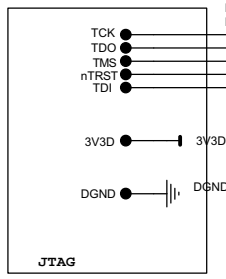


CONFIGURATION

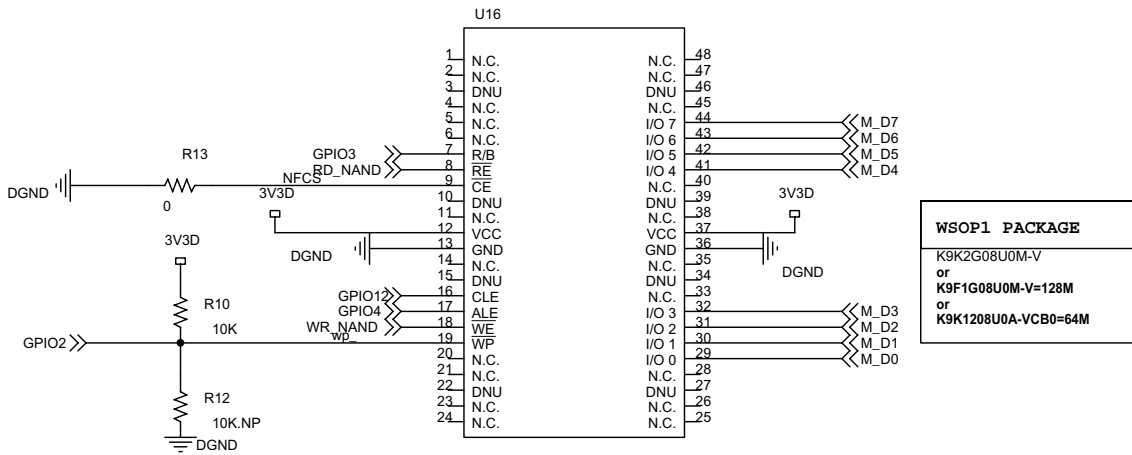
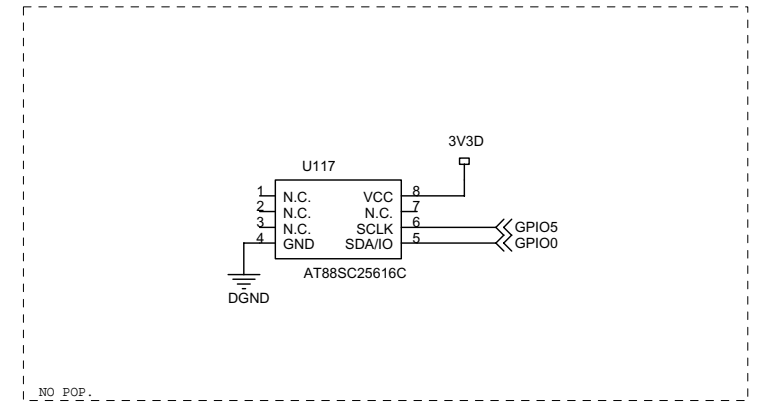
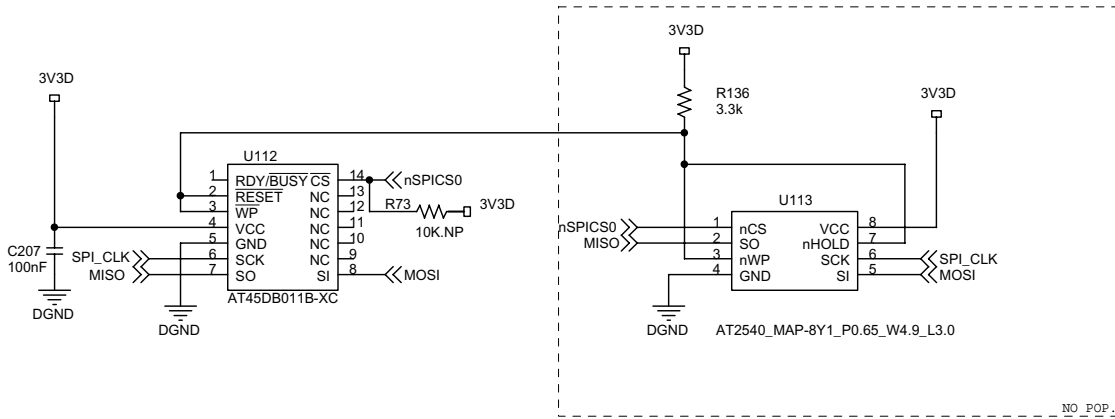
E2ORFL	1	EEPROM
	0	DATAFLASH



Stick505AR51rDatm

Patras Science Park, 26500
Plataní, Patras, Greece
Voice: 3061.961220
Fax: 3061.961221

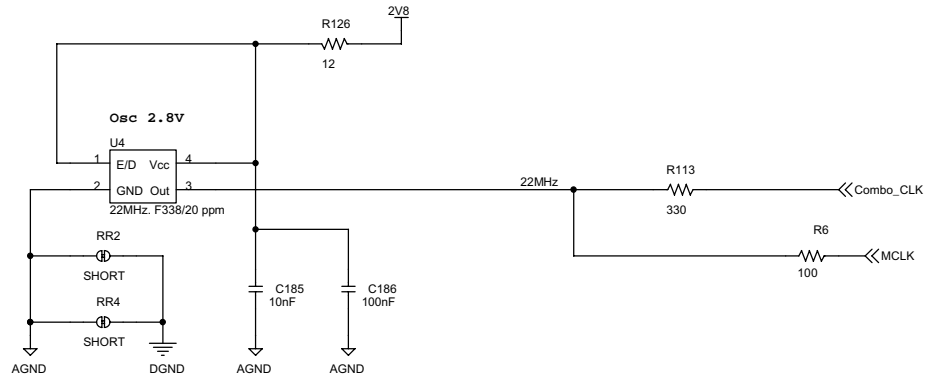
Title AT76C505A SECTION		Size A3
Engineer		Rev. A
Date: Friday, December 05, 2003	Sheet 1 of 6	



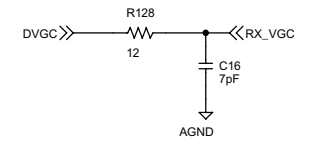
Stick505AR51rDatm

	Patras Science Park, 26500 Platani, Patra, Greece Voice: 3061-961220 Fax: 3061-961221	Document Number Stick505AR51rDml.C
--	--	---------------------------------------

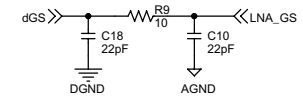
Title	STORAGE MEMORY	Size	Custom
Engineer		Rev.	A
Date:	Friday, December 05, 2003	Sheet	2 of 6



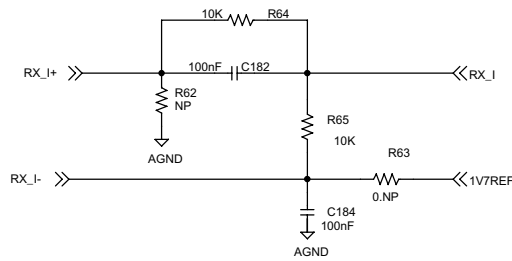
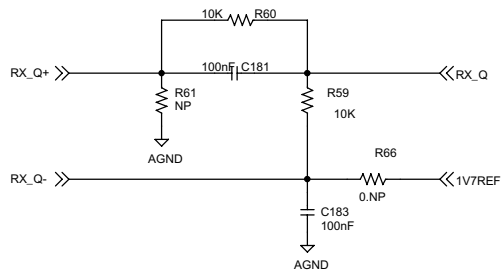
CLOCK TO DIGITAL/ANALOG



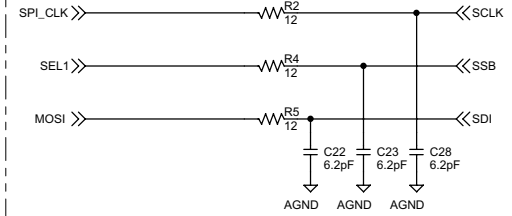
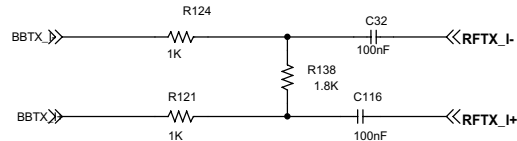
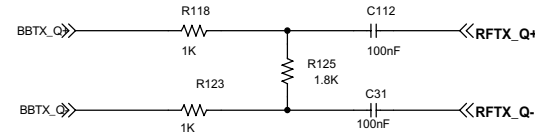
RX_VGC



LNA_GS



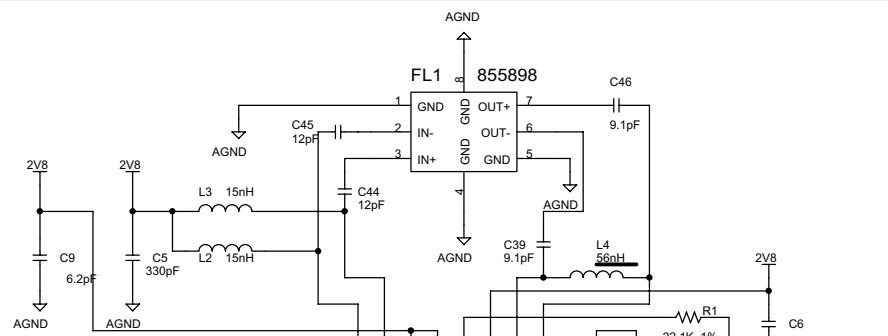
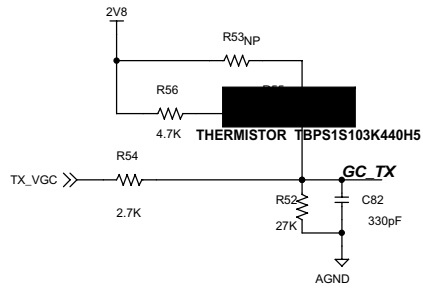
RX I & Q +/- INTERFACE



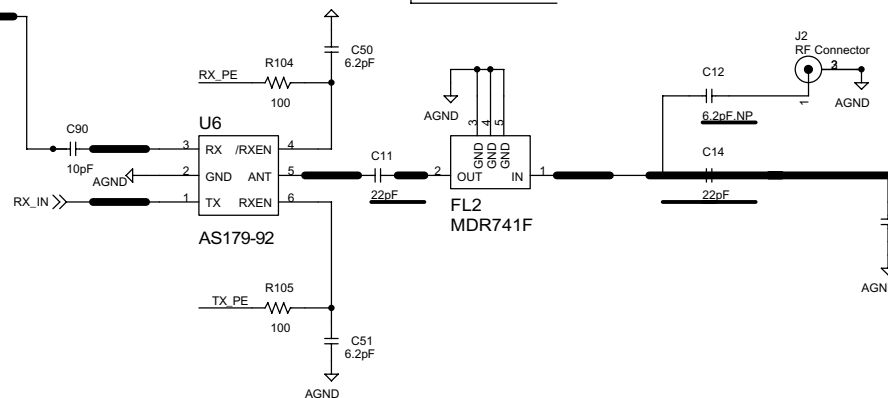
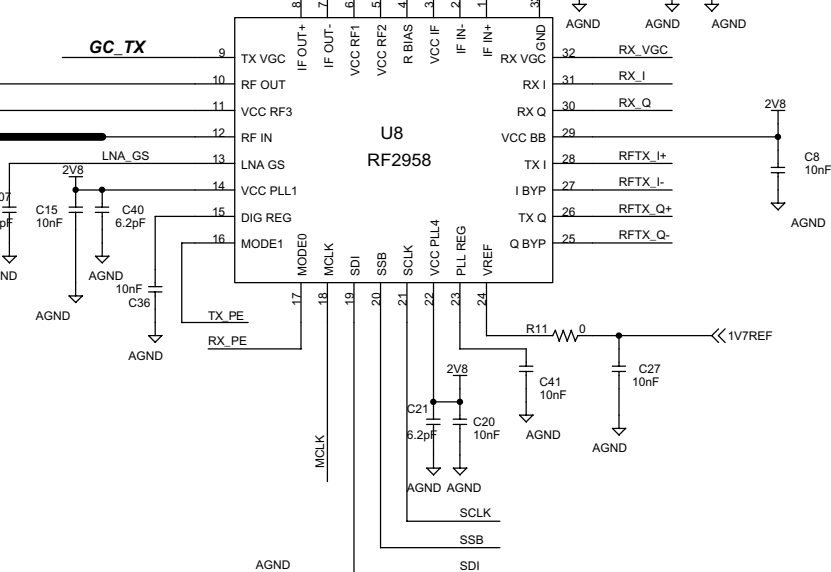
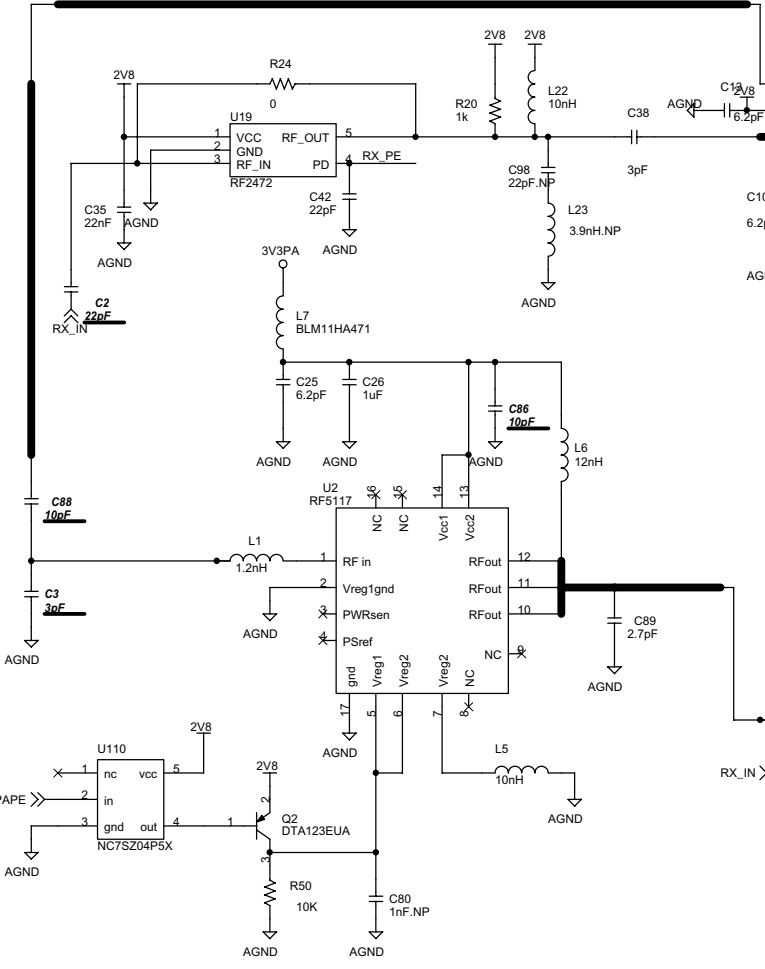
SPI

Stick505AR51rDatm

		Paltas Science Park, 26500 Paltas, Paltas, Greece Voice: 3061 961220 Fax: 3061 961221		Document Number Stick505AR51rDml.C
		Title RADIO INTERFACE	Size A3	
Engineer	Date: Friday, December 05, 2003	Sheet 3 of 6	Rev. A	

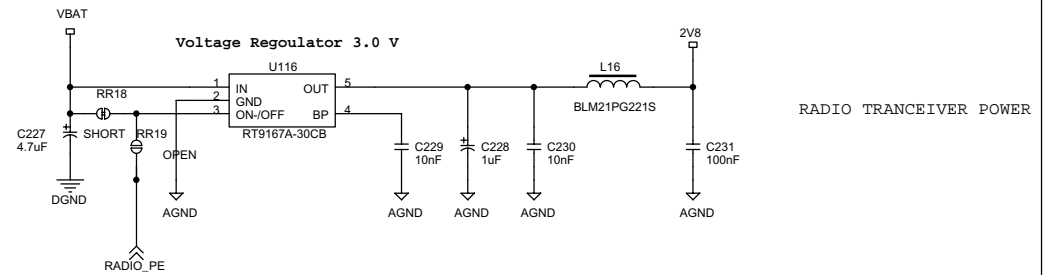
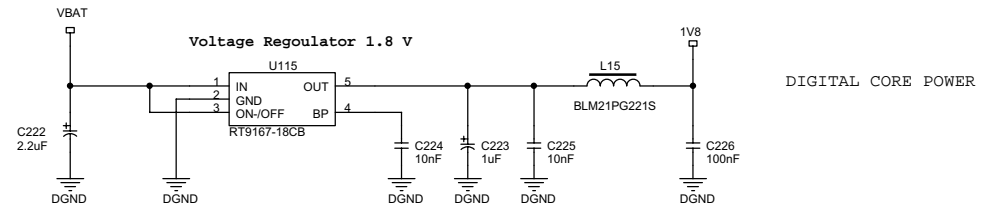
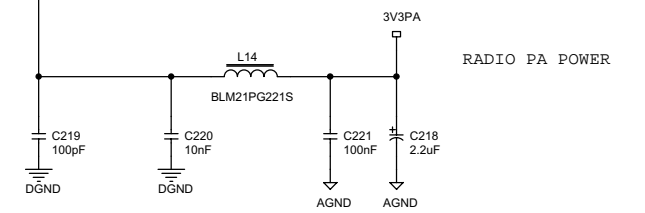
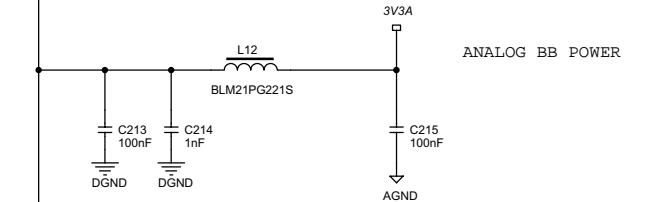
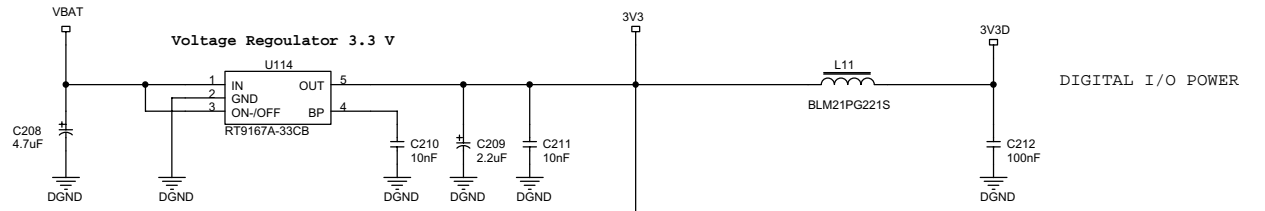
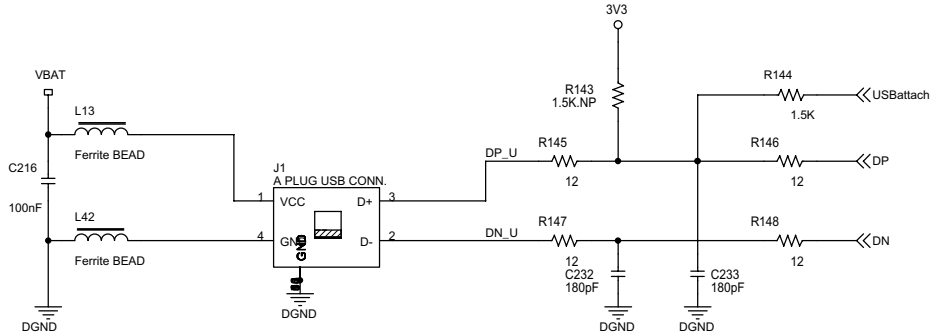
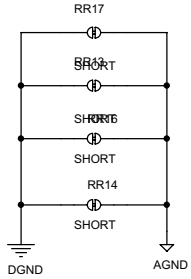
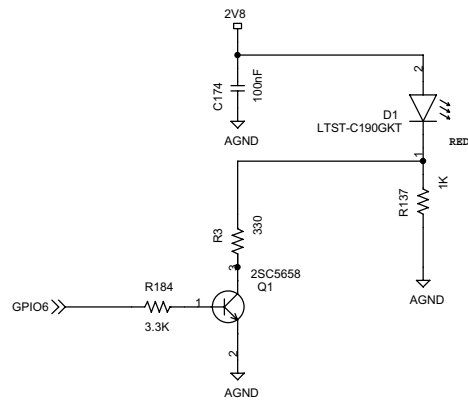


- RX_PE << RX_PE
- TX_PE << TX_PE
- SCLK << SCLK
- SSB << SSB
- SDI << SDI
- MCLK << MCLK
- RX_VGC << RX_VGC
- RX_I << RX_I
- RX_Q << RX_Q
- RFTX_I+ << RFTX_I+
- RFTX_I- << RFTX_I-
- RFTX_Q+ << RFTX_Q+
- RFTX_Q- << RFTX_Q-




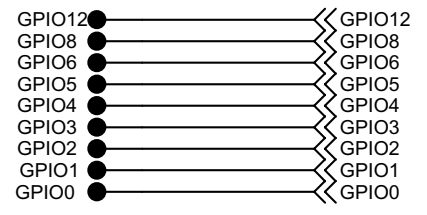
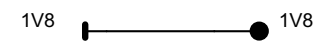
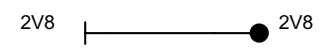
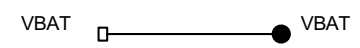
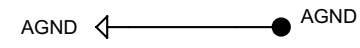
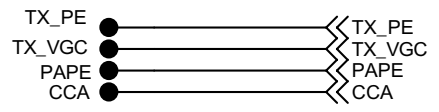
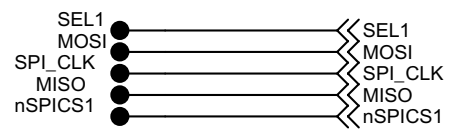
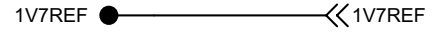
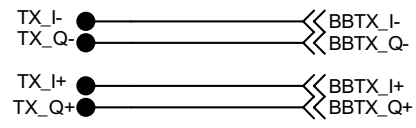
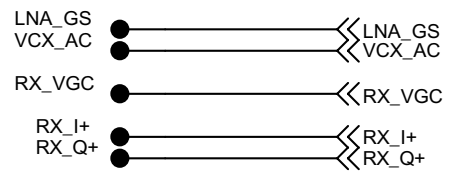
Stick505AR51rDatm

		Palras Science Park, 26500 Palras, Palras, Greece Voice: 3061 961220 Fax: 3061 961221	Document Number Stick505AR51rDml.C
Title	RADIO SECTION		Size A3
Engineer			Rev. A
Date:	Friday, December 05, 2003	Sheet	4 of 6



Stick505AR51rDatm

	Patras Science Park, 26500 Patras, Patra, Greece Voice: 3061 961220 Fax: 3061 961221	Document Number Stick505AR51rDml.C
	Title VOLTAGE REGULATORS	Size A3
Engineer	Rev. A	
Date: Friday, December 05, 2003	Sheet 5 of 6	



Stick505AR51rDatm

	Patras Science Park,26500 Platani,Patra,Greece Voice:3061-961220 Fax:3061-961221	Document Number
		Stick505AR51rDml.C
Title TEST POINTS		Size A
Engineer		Rev. A
Date: Friday, December 05, 2003	Sheet 6 of 6	