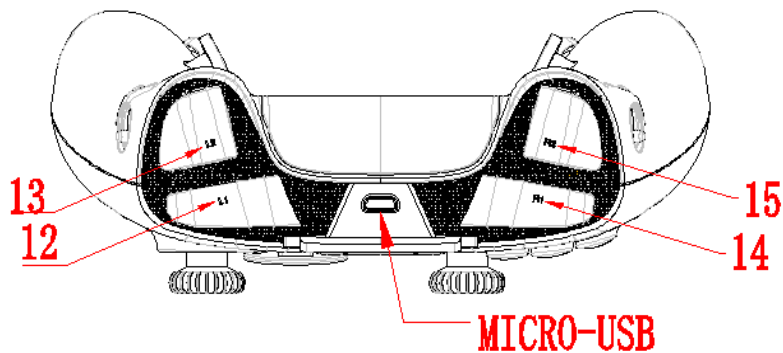
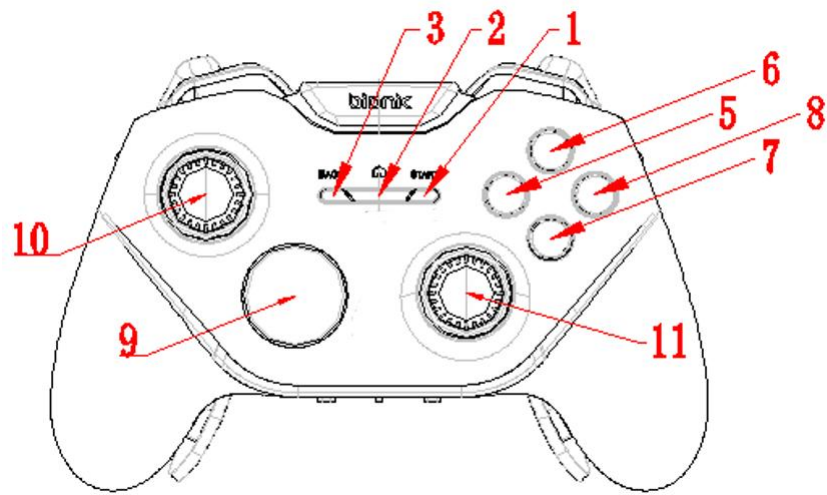


Falcon Controller Manual

Product Features:

- 3 Mode: Wired, 2.4G wireless, Bluetooth
- Support PC (Windows), Android
- L4 L5 R4 R5 Back Paddle
- L4 L5 R4 R5 Mapping switch
- Xinput (Wired) + Dinput (Bluetooth) + Xinput (2.4G)
- Include USB dongle
- LED indication for each Mode
- Powered by two AA Batteries
- Precise Hall Sensor Triggers
- Trigger lock support quick shot for FPS games



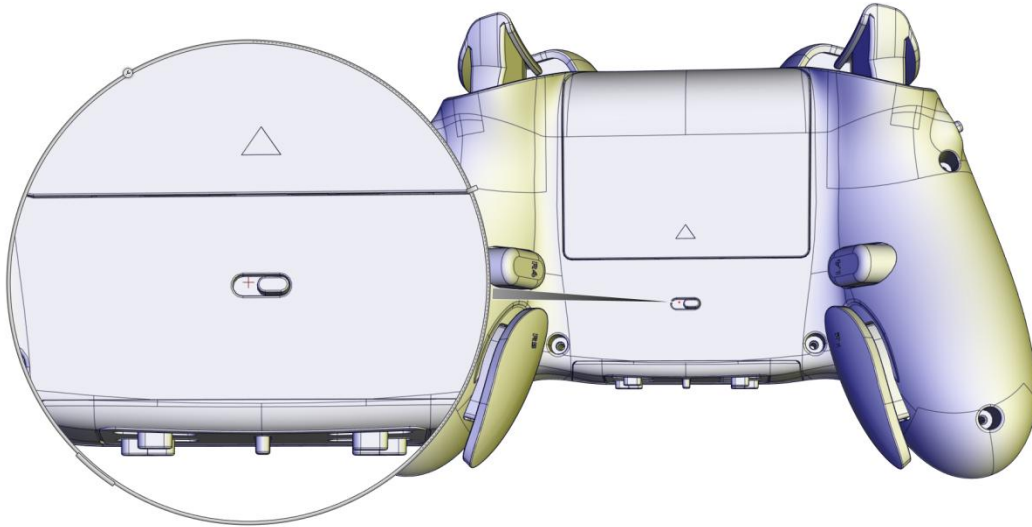
Button List:

		Wired	Android (Bluetooth)	Windows (2.4G)
NO	Button	USB with Xinput	Bluetooth Dinput Mode	2.4G Xinput Mode
1	1	BACK	KEYCODE_BACK	BACK
2	2	Xbox Home	KEYCODE_HOME	Xbox Home
3	3	START	KEYCODE_START (0x13B)	START
5	(X) BUTTON	X	Keycode_Button_X	X
6	(Y) BUTTON	Y	Keycode_Button_Y	Y
7	(A) BUTTON	A	Keycode_Button_A	A
8	(B) BUTTON	B	Keycode_Button_B	B
9	D-PAD UP	D-Pad	Keycode_DPAD_UP	D-Pad
	D-PAD DOWN		Keycode_DPAD_DOWN	
	D-PAD LEFT		Keycode_DPAD_LEFT	
	D-PAD RIGHT		Keycode_DPAD_RIGHT	
10	(L3) BUTTON analog stick	Left Stick Button	Keycode_Button_THUMB L	Left Stick Button
11	(R3) BUTTON analog stick	Right Stick Button	Keycode_Button_THUMB R	Right Stick Button
12	(L1) BUTTON	LB	Keycode_Button_L1	LB
13	(L2) BUTTON	LT	AXIS_BRAKE (0.0 to 1.0) & Keycode_Button_L2	LT
14	(R1) BUTTON	RB	Keycode_Button_R1	RB
15	(R2) BUTTON	RT	AXIS_GAS (0.0 to 1.0) & Keycode_Button_R2	RT
10	LEFT ANALOG	Left Stick	AXIS_X (-1.0 to 1.0) AXIS_Y (-1.0 to 1.0)	Left Stick
11	RIGHT ANALOG	Right Stick	AXIS_Z (-1.0 to 1.0) AXIS_RZ (-1.0 to 1.0)	Right Stick

Mode Switch:

- Left Mode: Bluetooth Mode
- Right Mode: 2.4G Mode

USB Mode will be activated when connect the USB cable to the PC.



Bluetooth Mode:

Bluetooth Pairing:

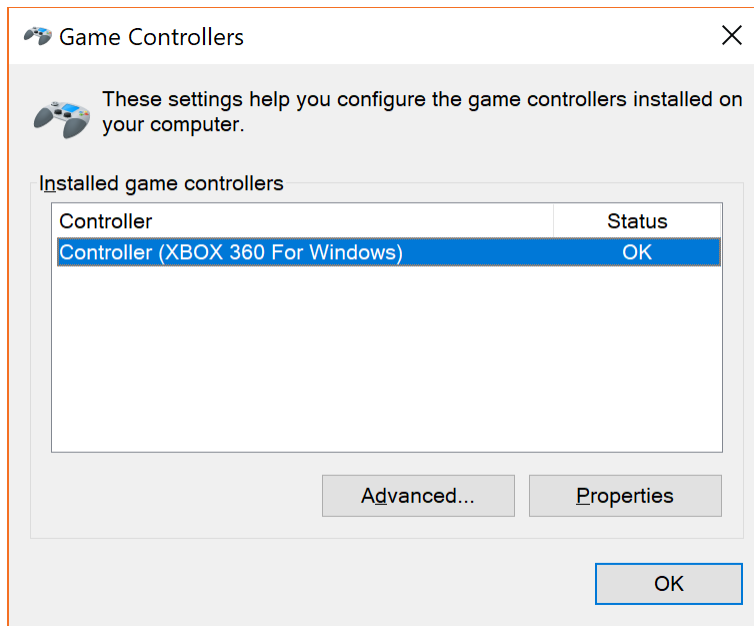
1. Install two AA batteries into the battery bay
2. Slide the Mode switch to left side
3. Holding Home button for 5 secs until the LED quick flash in Blue, now the controller entering the Bluetooth Pairing mode
4. Go to the Bluetooth setting on the Android device, click the "Bionik Falcon Controller" to connect
5. The LED will stay on Blue when success connected
6. If not success, please turn off the controller then repeat step 2 to 5

Bluetooth Connect: (Success connected with the Android before)

1. Once the controller Success connected with the Android, player could simply press the Home button to connect back the Android device
2. The LED will slow flash in Blue to searching the Android device
3. LED will stay on Blue when success connected

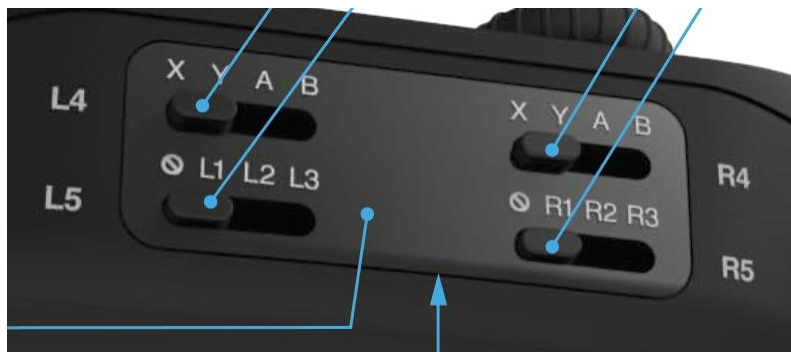
2.4G Mode:

1. Insert the USB dongle to the USB port of PC
2. Install two AA batteries into the battery bay
3. Slide the Mode switch to right side
4. Single press the Home button to connect to the USB dongle, the LED will slow flash in Green until success connected
5. LED will stay on GREEN when success connected
6. Go to "Game Controller" at the Control Panel to test the controller



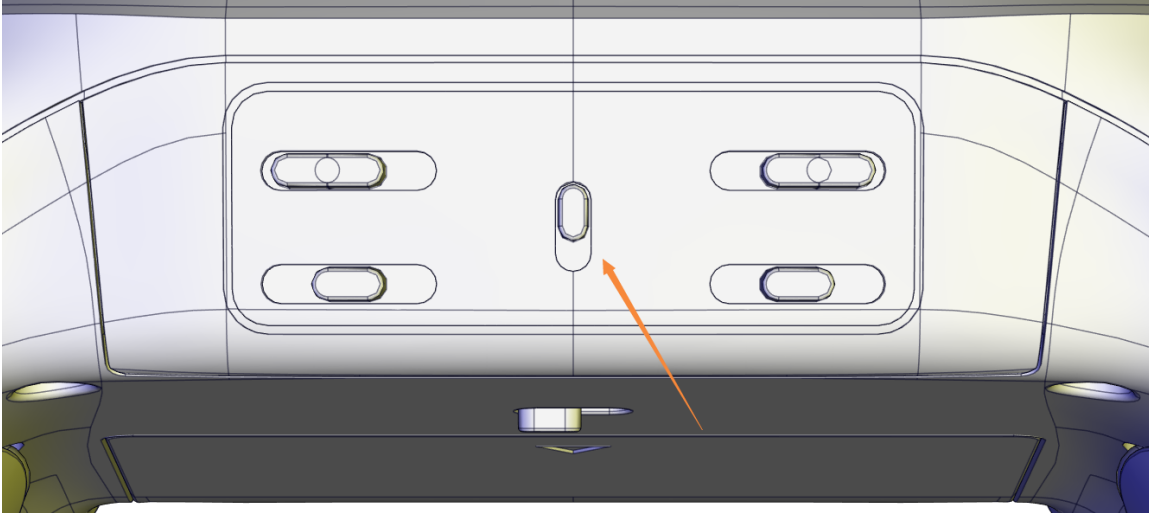
Button Mapping:

L3, L4, R3 and R4 button could be mapping to the designed button by 4 switches.



Mapping function ON/OFF Switch:

- Slide Up to Turn OFF the mapping functions
- Slide Down to Turn ON the mapping functions

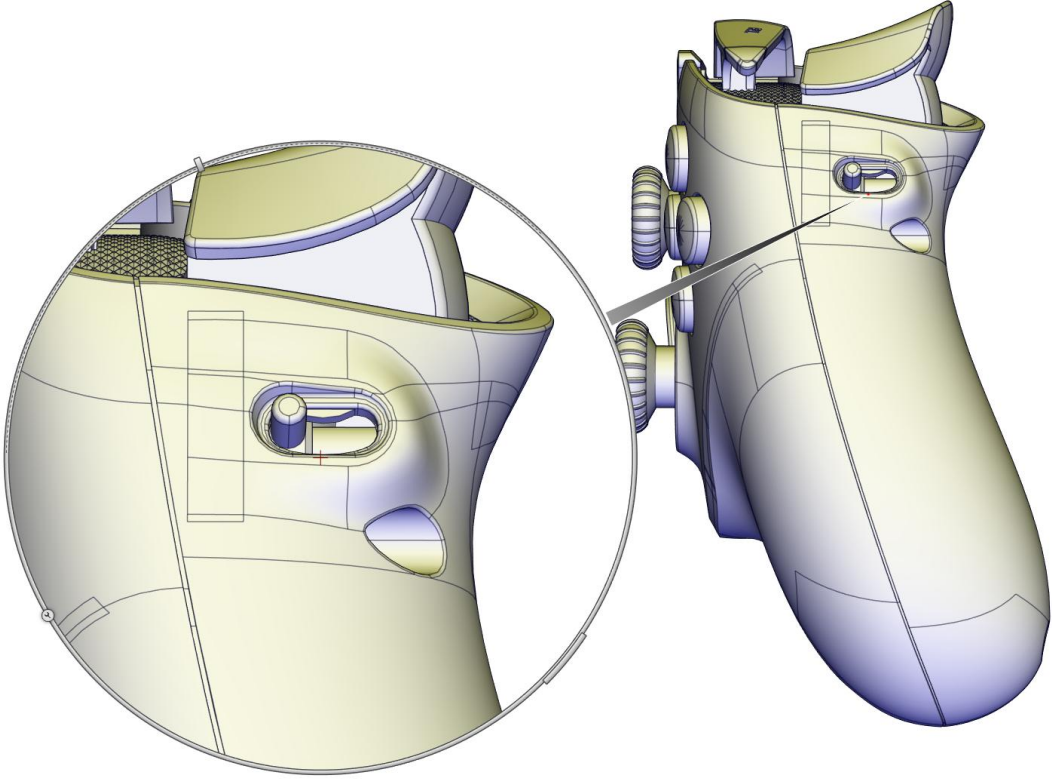


Low Power:

At the Bluetooth and 2.4G Mode, the LED will slow flash (10s once) when the battery in low.

Trigger Lock:

- Slide the trigger lock to the controller top to Turn the trigger to FPS Mode with shorter travel distance
- Slide the trigger lock to the controller back to Turn the trigger to Normal Mode with full travel distance



FCC Warnings

This device complies with part 15 of the FCC Rules.

Operation is subject to the following two conditions:

- (1) This device may not cause harmful interference, and
- (2) this device must accept any interference received, including interference that may cause undesired operation.

Note: This equipment has been tested and found to comply with the limits for a Class B digital device, pursuant to Part 15 of the FCC Rules. These limits are designed to provide reasonable protection against harmful interference in a residential installation. This equipment generates, uses and can radiate radio frequency energy and, if not installed and used in accordance with the instructions, may cause harmful interference to radio communications.

However, there is no guarantee that interference will not occur in a particular installation. If this equipment does cause harmful interference to radio or television reception, which can be determined by turning the equipment off and on, the user is encouraged to try to correct the interference by one or more of the following measures:

- Reorient or relocate the receiving antenna.
- Increase the separation between the equipment and receiver.
- Connect the equipment into an outlet on a circuit different from that to which the receiver is connected.
- Consult the dealer or an experienced radio/TV technician for help.

Warning: Changes or modifications to this unit not expressly approved by the part responsible for compliance could void the user's authority to operate the equipment.

FCC Radiation Exposure Statement

The device has been evaluated to meet general RF exposure requirement.

The device can be used in portable exposure condition without restriction.

Declaration of Conformance

DREAM GEAR,LLC declares that the radio equipment type BNK-9014 is in compliance with Directive 2014/53/EU