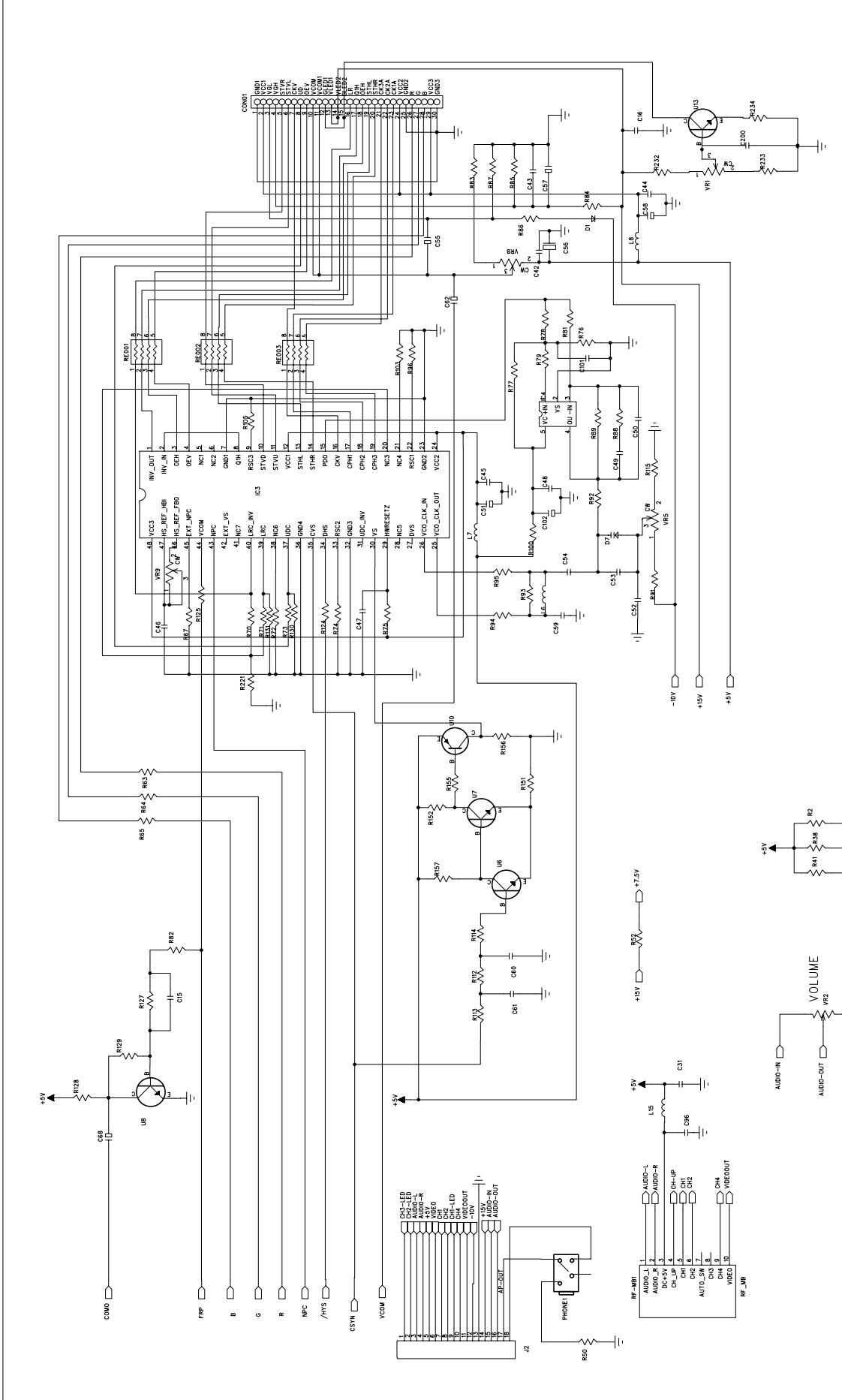
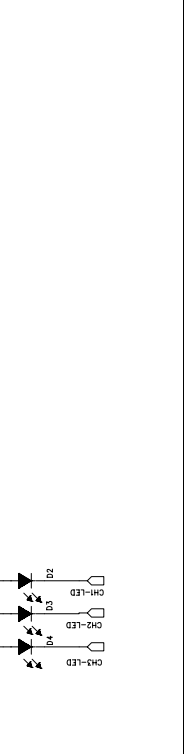


TITLE LCD DISPLAY CIRCUIT	
DOC NO:	
MODEL NO.:	ZT-713
CAD REF.:	V713LX04
PAGE	1 OF 3
APRD:	

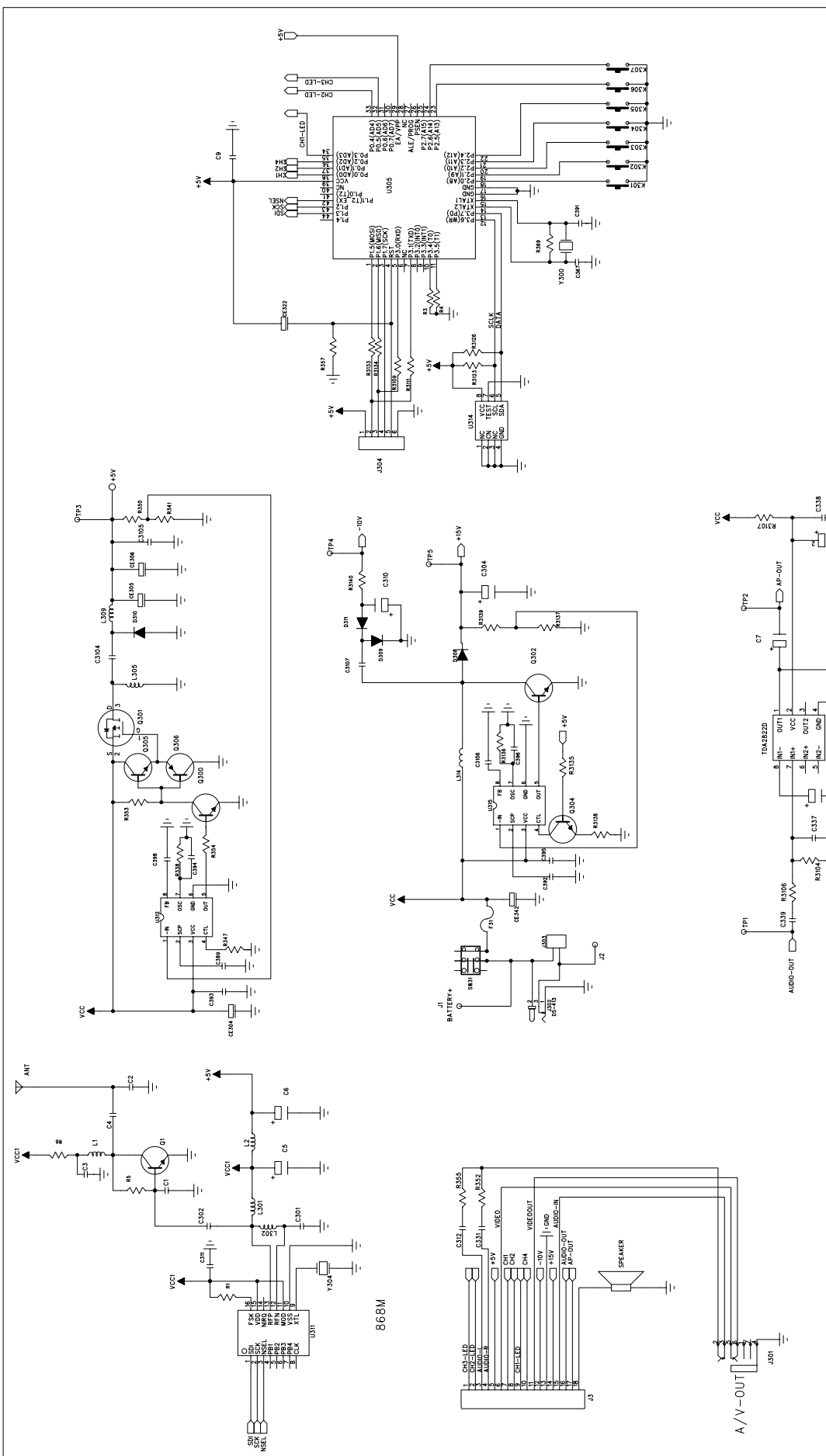
REVISION	1.0	UPDATED DESCRIPTION
ISSUE DATE	2005-8-19	
DRAWN: Lishen		
CHKD:		



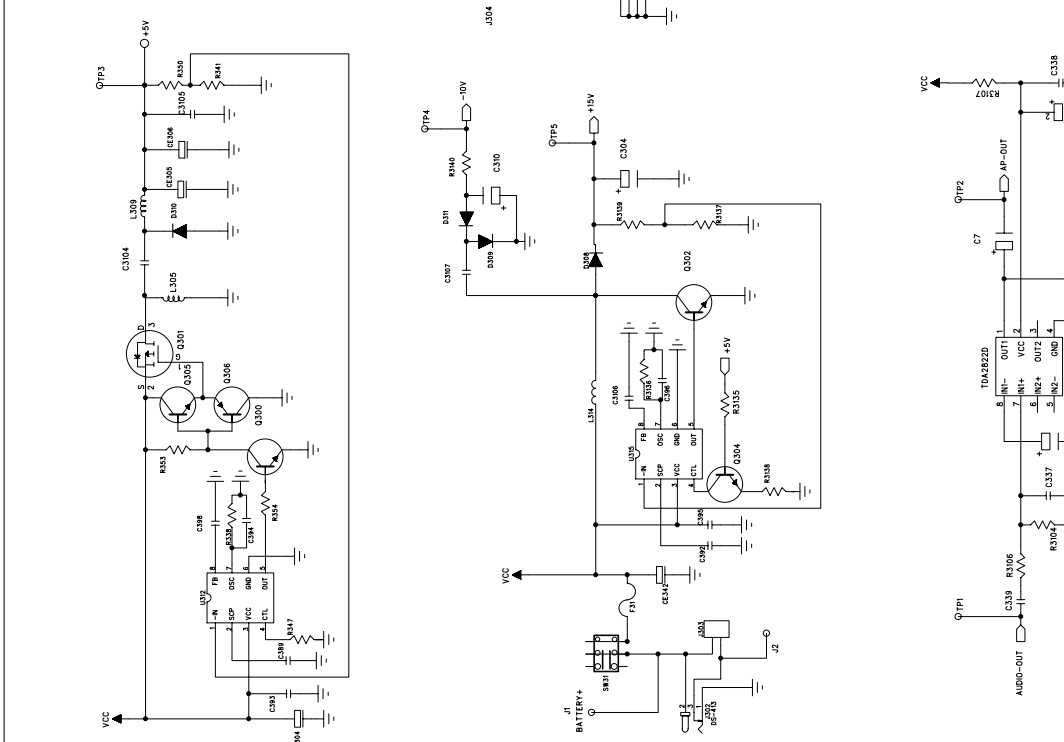
TITLE		LCD DISPLAY CIRCUIT	
DOC NO:		ZT-713	
MODEL NO.:		V713PX03	
CAD REF:		PAGE 2 OF 3	
REVISION		APRD.	
DRAWN:		Lishen	
CHKD.			



1.0	FIRST RELEASED	2005-8-19	ISSUE DATE
REVISION	UPDATED DESCRIPTION		



TITLE	LCD DISPLAY CIRCUIT		
DOC NO:			
MODEL NO.:	ZT-715	DRAWN:	GUO
CRD REF	V715PV03	CHKD.	
PAGE	1	OF	1
APRD.			



TITLE	AUDIO AMPLIFIER		
DOC NO:			
MODEL NO.:	ZT-715	DRAWN:	GUO
CRD REF	V715PV03	CHKD.	
PAGE	1	OF	1
APRD.			

03	FIRST RELEASED	2005-9-6
REVISION	UPDATED DESCRIPTION	ISSUE DATE