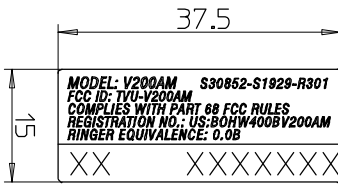
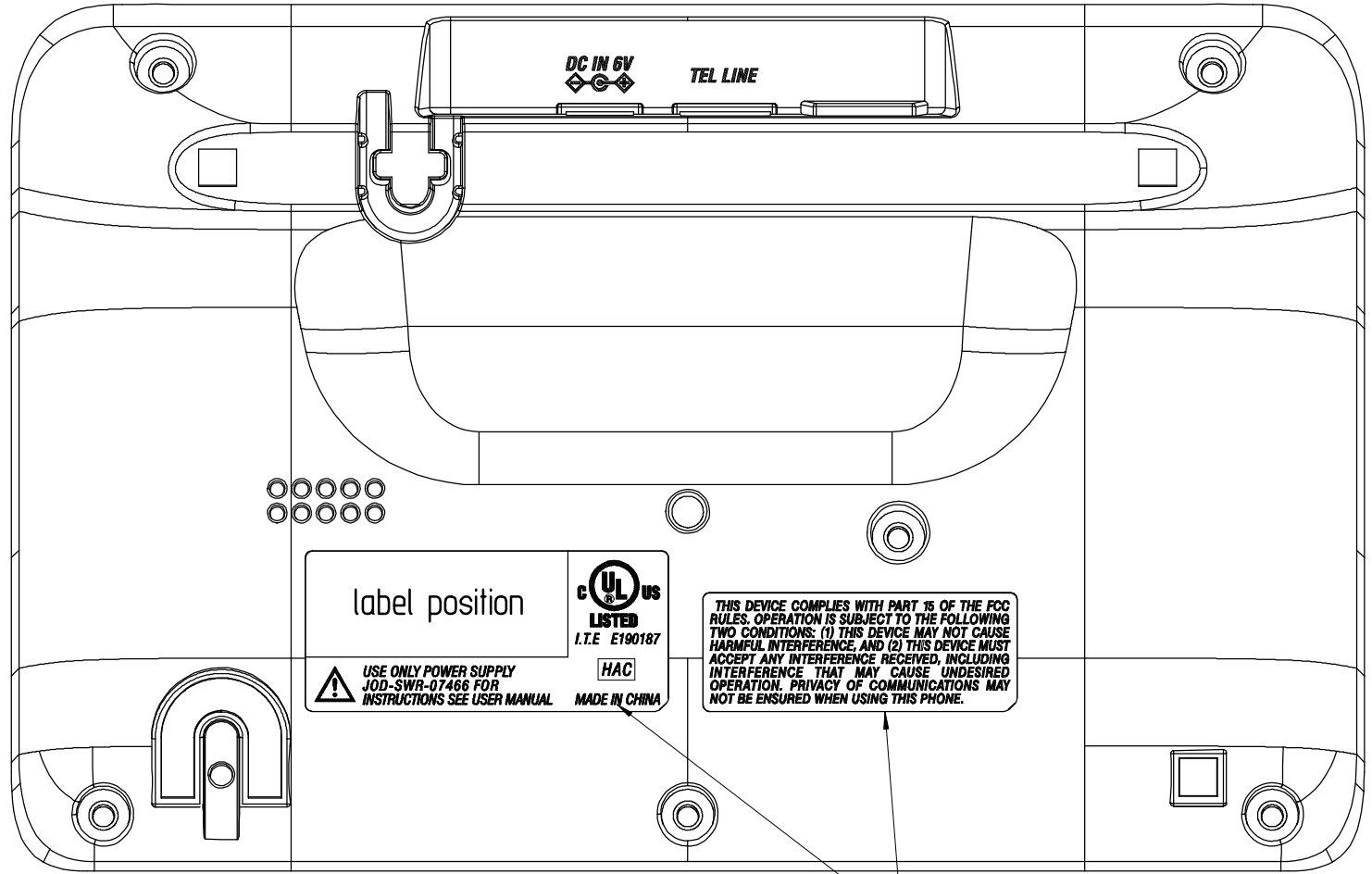


V200AM BASE



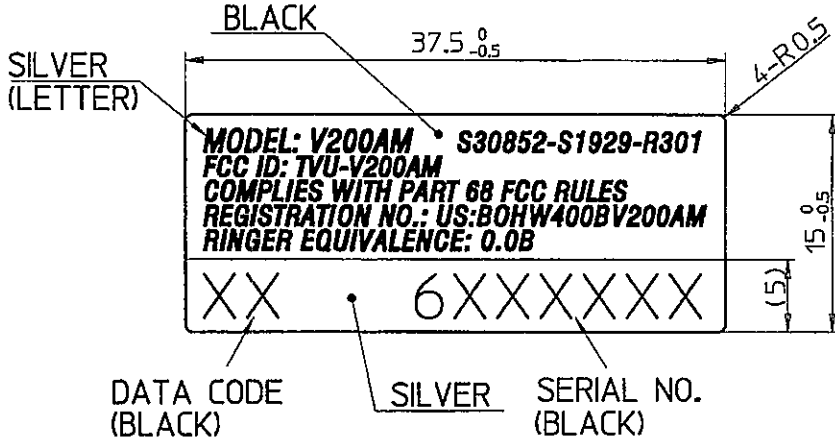
label

engrave

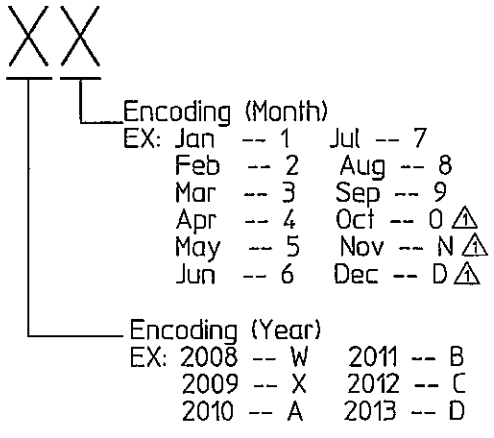
CAUTION:
 MATERIAL MUST BE MET DIRECTIVE 94/62/EC AS FOLLOWS;
 THE FOLLOWING SUBSTANCE TOTAL CONTENTS SHOULD BE LESS THAN 100ppm
 (1) Cadmium and Cadmium Compounds
 (2) Hexavalent Chromium Compounds
 (3) Lead and Lead Compounds
 (4) Mercury and Mercury Compounds
 MATERIAL MUST BE MET DIRECTIVE 2002/95/EC(RoHS) AS FOLLOWS
 THE FOLLOWING SUBSTANCE EACH CONTENT SHOULD BE LESS THAN 1000ppm
 (5) Polybrominated Biphenyls(PBBs)
 (6) Polybrominated Diphenyl ethers(PBDEs)
 At the time of parts approval request you have to prove and guarantee
 that the material comply with the above requirement by attaching SAMPLE and
 'GREEN PROCUREMENT BASIC INFORMATION SURVEY (CHEMICAL SUBSTANCE) TABLE'
 When material is changed after parts approval, it necessary to do same thing again.

GENERAL TOLERANCE					
	G	H	J	K	L
- 8	±0.1	±0.1	±0.2	±0.2	±0.4
8up - 25	±0.15	±0.15	±0.3	±0.3	±0.6
25up - 80	±0.2	±0.25	±0.4	±0.5	±0.8
80up - 250	±0.3	±0.4	±0.6	±0.8	±1.2
250over	±0.6	±0.8	±1.0	±1.5	±2.0

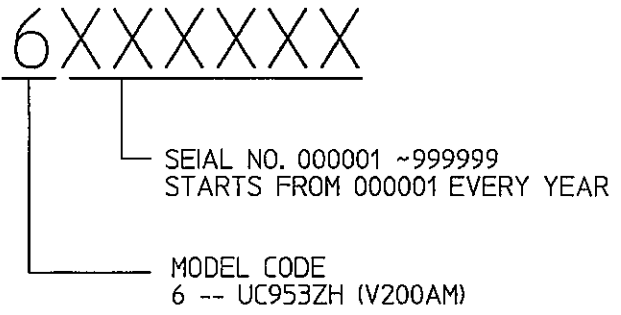
DO NOT SCALE DRAWING



INDICATION OF DATA CODE



INDICATION OF SERIAL NO.



- NOTE**
- MATERIAL :POLYESTER TRCK FORM (MATT) SILVER (T=0.05)
UL RECOGNIZED COMPONENT UNDER THE CATEGORY OF MARKING AND LABELING SYSTEMS (PGDQ2)
 - PRINT COLOR:BLACK
 - ARTWORK :PC DATA D10047
 - LAMINATE :POLYPROPYLENE (GLOSS) CLEAR T0.025
 - ADHESIVE STRENGTH : MORE THAN 1000g/25mm (180° PEEL OFF TEST)

△					ENG'G. DIM. REQMT. FOR UNIDEN IQC INSP.	YES	NO	
△					APPROVED BY	CHECKED BY	DESIGNED BY	DRAWN BY
△					ABE	ABE	ABE	ABE
△					Mar.31'08	Mar.31'08	Mar.19'08	Mar.19'08
1	CORRECT DATA CODE	ABE	APR	APR	MODEL	PARTS NAME		
REVMARK	CONTENTS	REVISED	CHECKED	APP'VD	V200AM	LABEL:ID		
ANGLE	UNITS	TOLERANCE	SCALE	MOLD CAVITIES	TOOL CODE	BASIC MODEL	BASIC PARTS CODE	PARTS CODE
⊙	m m	-	2:1	- pcs	-	-	-	PLBS4D8496Z