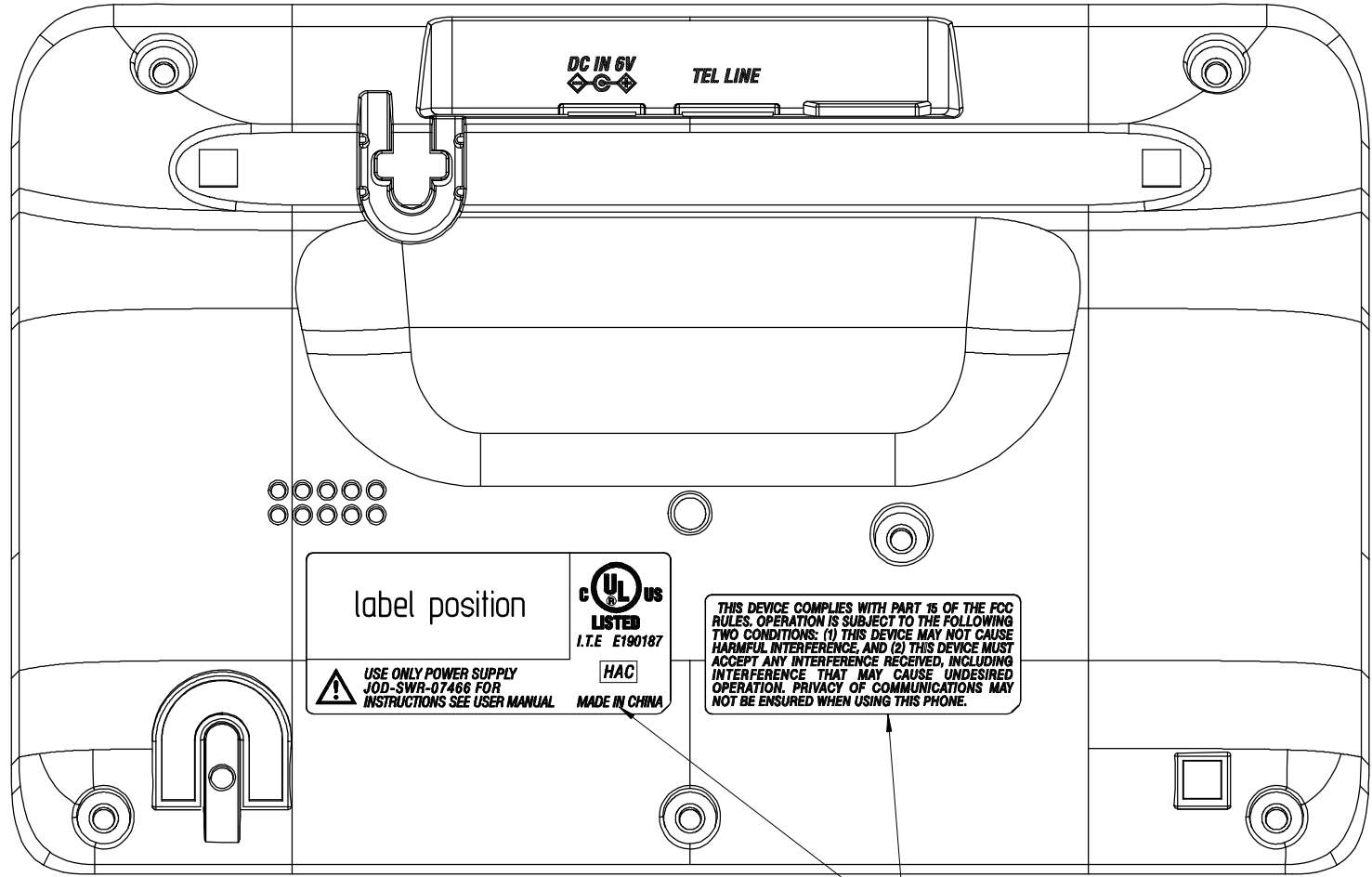


V100AM BASE



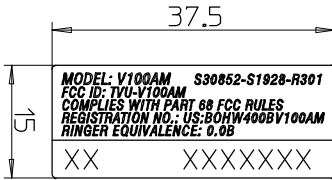
label position



HAC
MADE IN CHINA

⚠ USE ONLY POWER SUPPLY
JOD-SWR-07466 FOR
INSTRUCTIONS SEE USER MANUAL

THIS DEVICE COMPLIES WITH PART 15 OF THE FCC RULES. OPERATION IS SUBJECT TO THE FOLLOWING TWO CONDITIONS: (1) THIS DEVICE MAY NOT CAUSE HARMFUL INTERFERENCE, AND (2) THIS DEVICE MUST ACCEPT ANY INTERFERENCE RECEIVED, INCLUDING INTERFERENCE THAT MAY CAUSE UNDESIRABLE OPERATION. PRIVACY OF COMMUNICATIONS MAY NOT BE ENSURED WHEN USING THIS PHONE.



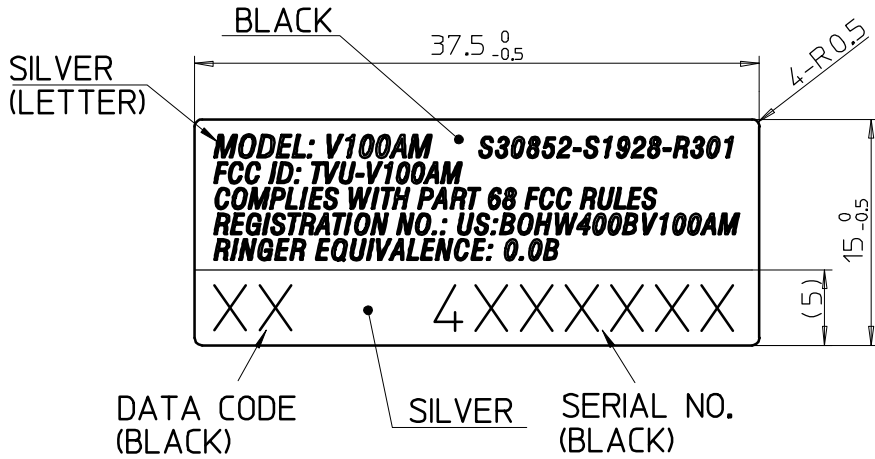
label

engrave

CAUTION:
MATERIAL MUST BE MET DIRECTIVE 94/62/EC AS FOLLOWS:
THE FOLLOWING SUBSTANCE TOTAL CONTENTS SHOULD BE LESS THAN 100ppm
(1) Cadmium and Cadmium Compounds
(2) Hexavalent Chromium Compounds
(3) Lead and Lead Compounds
(4) Mercury and Mercury Compounds
MATERIAL MUST BE MET DIRECTIVE 2002/95/EC(RoHS) AS FOLLOWS
THE FOLLOWING SUBSTANCE EACH CONTENT SHOULD BE LESS THAN 1000ppm
(5) Polybrominated Biphenyls(PBBs)
(6) Polybrominated Diphenyl ethers(PBDEs)
At the time of parts approval request you have to prove and gurantee
that the material comply with the above requirement by attaching SAMPLE and
'GREEN PROCUREMENT BASIC INFORMATION SURVEY (CHEMICAL SUBSTANCE) TABLE'
When material is changed after parts approval,it necessary to do same thing again.

GENERAL TOLERANCE						
	G	H	J	K	L	
~ 8	±0.1	±0.1	±0.2	±0.2	±0.4	
8up ~ 25	±0.15	±0.15	±0.3	±0.3	±0.6	
25up ~ 80	±0.2	±0.25	±0.4	±0.5	±0.8	
80up ~ 250	±0.3	±0.4	±0.6	±0.8	±1.2	
250over	±0.6	±0.8	±1.0	±1.5	±2.0	

DO NOT SCALE DRAWING



INDICATION OF DATA CODE

XX

Encoding (Month)
EX: Jan -- 1 Jul -- 7
Feb -- 2 Aug -- 8
Mar -- 3 Sep -- 9
Apr -- 4 Oct -- 0△
May -- 5 Nov -- N△
Jun -- 6 Dec -- D△

Encoding (Year)
EX: 2008 -- W 2011 -- B
2009 -- X 2012 -- C
2010 -- A 2013 -- D

INDICATION OF SERIAL NO.

4XXXXXXXXX

SEIAL NO. 000001 ~999999
STARTS FROM 000001 EVERY YEAR

MODEL CODE
4 -- UC952ZH (V100AM DUO)

NOTE

- MATERIAL :POLYESTER TRCK FORM (MATT) SILVER (T=0.05)
UL RECOGNIZED COMPONENT UNDER THE CATEGORY OF
MARKING AND LABELING SYSTEMS (PGDQ2)
- PRINT COLOR:BLACK
- ARTWORK :PC DATA D10759
- LAMINATE :POLYPROPYLENE (GLOSS) CLEAR T0.025
- ADHESIVE STRENGTH : MORE THAN 1000g/25mm (180° PEEL OFF TEST)

△					ENG'G. DIM. REQMT. FOR UNIDEN IQC INSP	YES	NO	
△					APPROVED BY	CHECKED BY	DESIGNED BY	DRAWN BY
△					ABE Mar.3'08	ABE Mar.3'08	ABE Mar.19'08	ABE Mar.19'08
△	CORRECT DATA CODE		ABE Apr.22'08		MODEL	PARTS NAME		
REV.MARK	CONTENTS	REVISED	CHECKED	APP'VD	UC-952Z	LABEL:ID		
ANGLE	UNITS	TOLERANCE	SCALE	MOLD CAVITIES	TOOL CODE	BASIC MODEL	BASIC PARTS CODE	PARTS CODE
⊕	m m	-	2:1	- pcs	-	-	-	PLBS4D8446Z