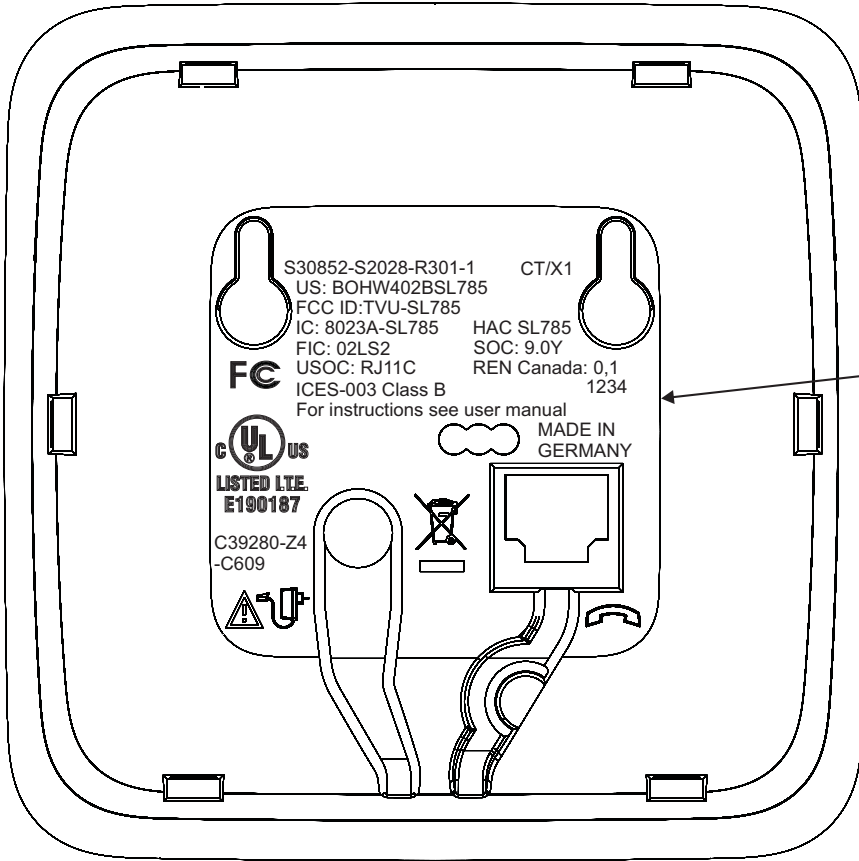


# Gigaset SL78H/785 USA

~~01.12.2008~~ / 02.12.2008

## Gigaset SL785 Basis (Laserbeschriftung)



S30852-S2028-R301-1 CT/X1  
 US: BOHW402BSL785  
 FCC ID:TVU-SL785  
 IC: 8023A-SL785 HAC SL785  
 FIC: 02LS2 SOC: 9.0Y  
 USOC: RJ11C REN Canada: 0,1  
 ICES-003 Class B 1234  
 For instructions see user manual  
 MADE IN GERMANY

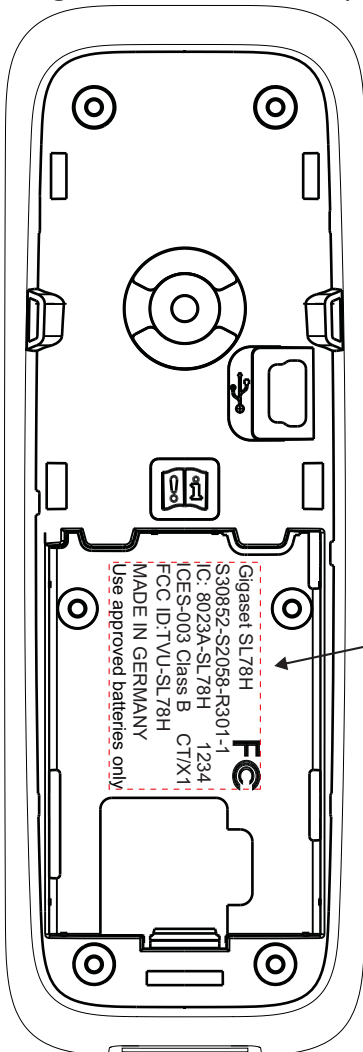
**FC**

**UL** US  
 LISTED L.T.E.  
 E190187

C39280-Z4  
 -C609

55,6x41,0 mm

## Gigaset SL78H HS (Laserbeschriftung)

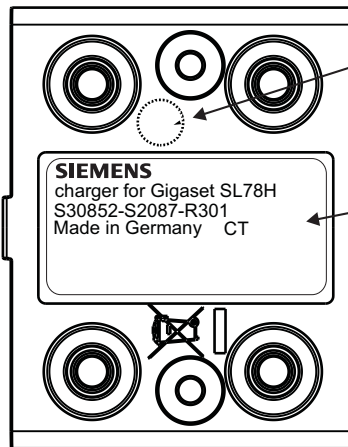


Gigaset SL78H  
 S30852-S2058-R301-1  
 IC: 8023A-SL78H 1234  
 ICES-003 Class B CT/X1  
 FCC ID:TVU-SL78H  
 MADE IN GERMANY  
 Use approved batteries only

Gigaset SL78H **FC**  
 S30852-S2058-R301-1  
 IC: 8023A-SL78H 1234  
 ICES-003 Class B CT/X1  
 FCC ID:TVU-SL78H  
 MADE IN GERMANY  
 Use approved batteries only

30,0x20,0 mm

## Gigaset SL78H LS (Aufkleber)



Produktionsdatum  
 (Datumsuhr) in  
 Gehäuseform integriert

**SIEMENS**  
 charger for Gigaset SL78H  
 S30852-S2087-R301  
 Made in Germany CT

**SIEMENS**  
 charger for Gigaset SL78H  
 S30852-S2087-R301  
 Made in Germany CT

37,0x18,0 mm