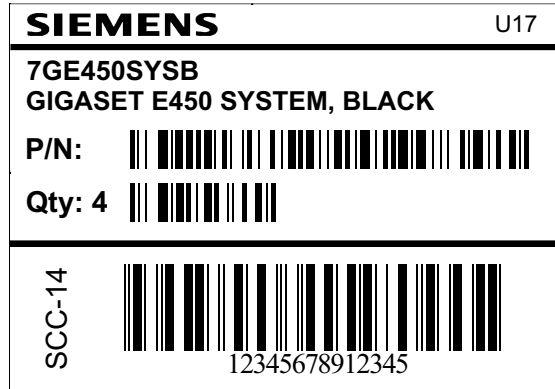
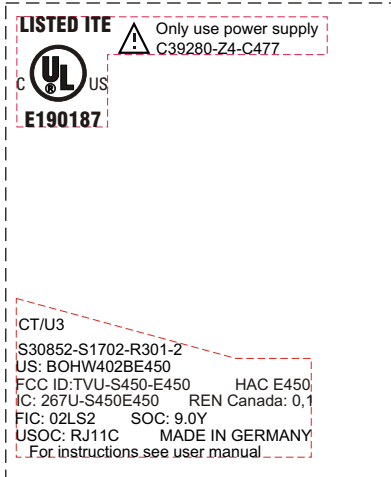


Proposal Laserdata / Label  
Gigaset E450 (Catalonia)  
USA

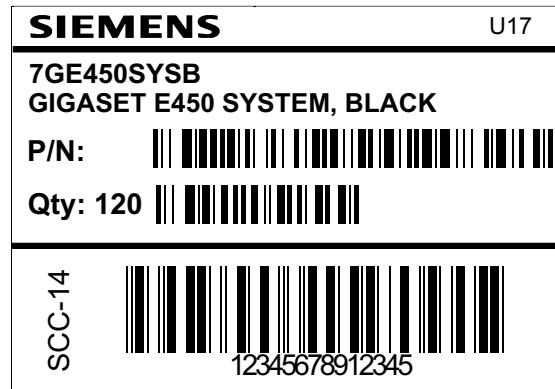
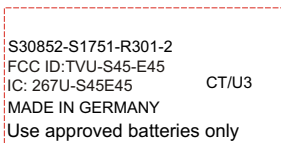
Com SD FB ED CV  
Fr. Vos  
20.02.2006  
22.02.2006

Laser data base  
area see sheet 2



packaging label  
4er box

Laser data handset  
area 37 x 18 mm

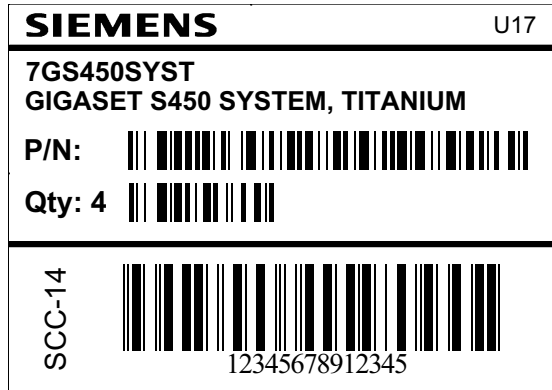
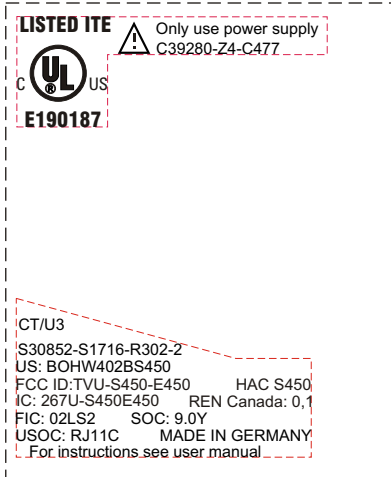


pallet label

Proposal Laserdata / Label  
Gigaset S450 (Oslo)  
USA

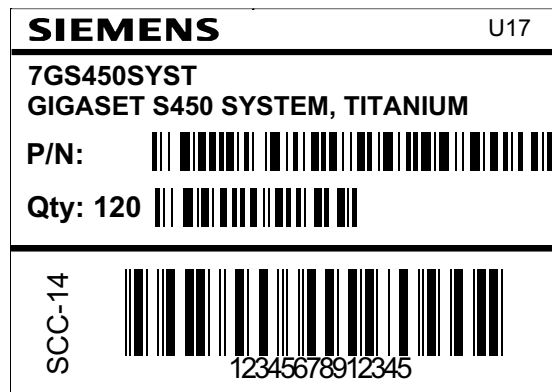
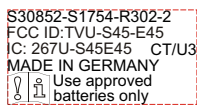
Com SD FB ED CV  
Fr. Vos  
20.02.2006  
22.02.2006

Laser data base  
area see sheet 2



packaging label  
4er box

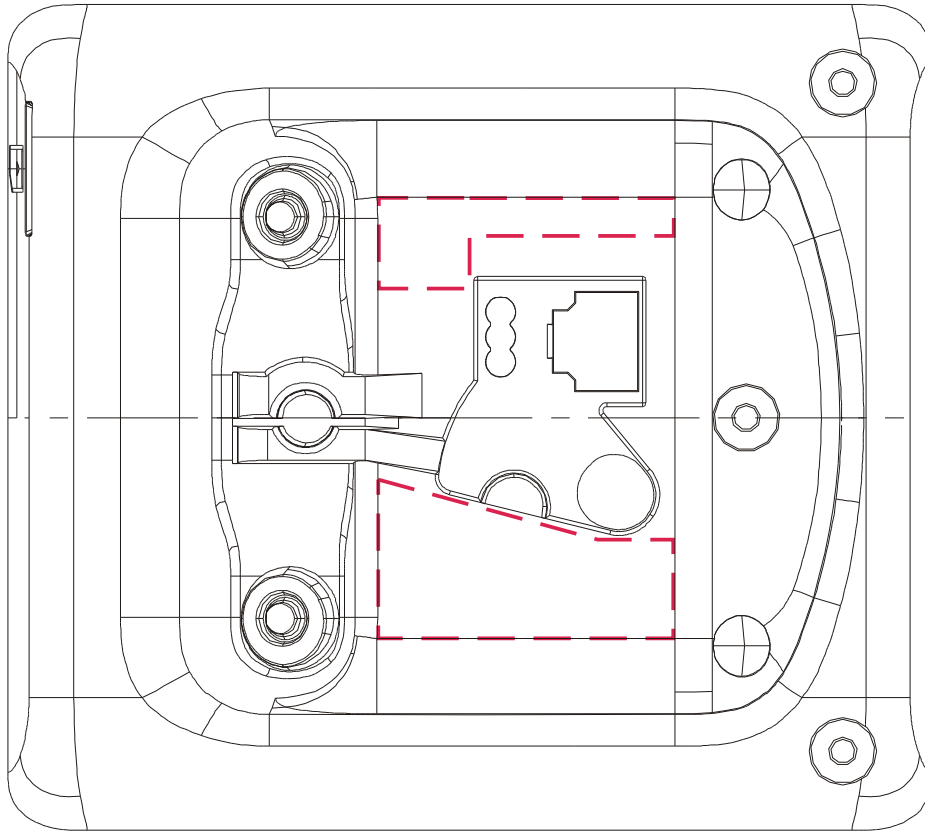
Laser data handset  
area 25 x 12,5 mm



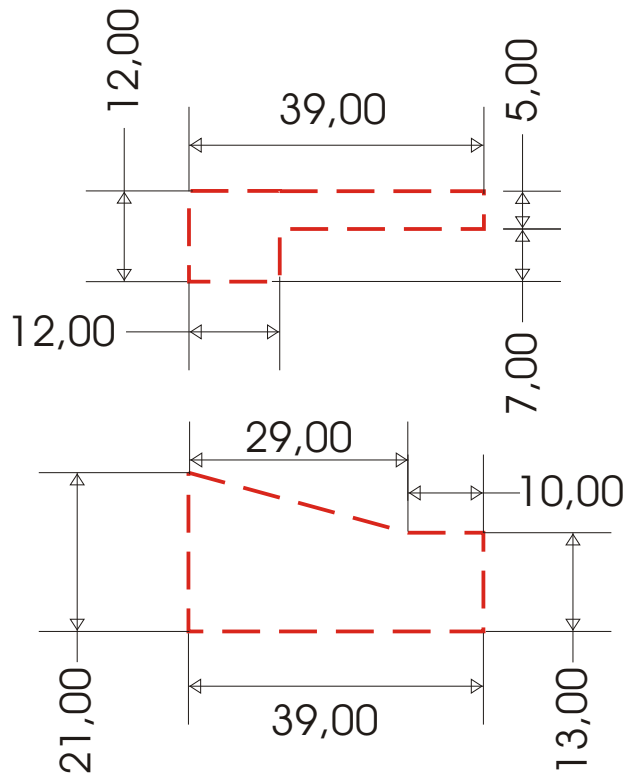
pallet label

base GS S450 (Oslo)

----- area for laser printing

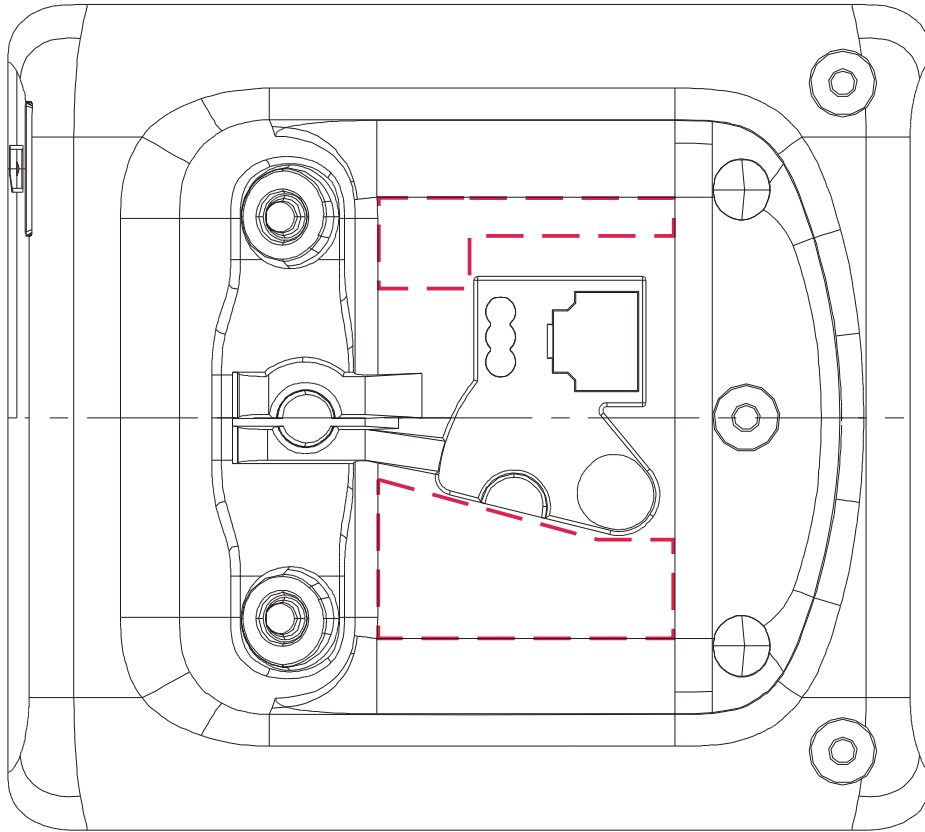


area for laser printing



base GS E450 (Catalonia)

----- area for laser printing



area for laser printing

