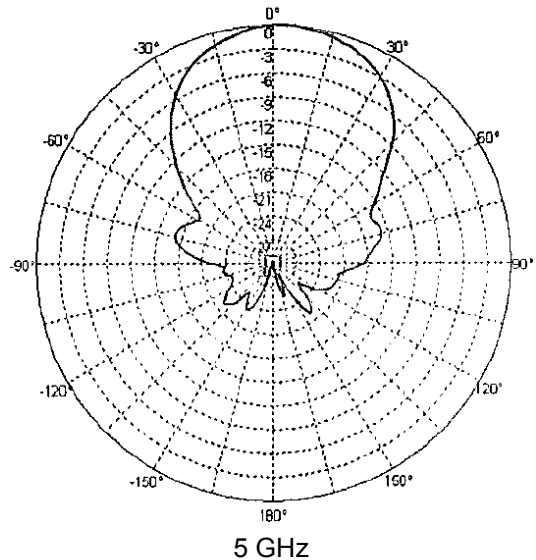
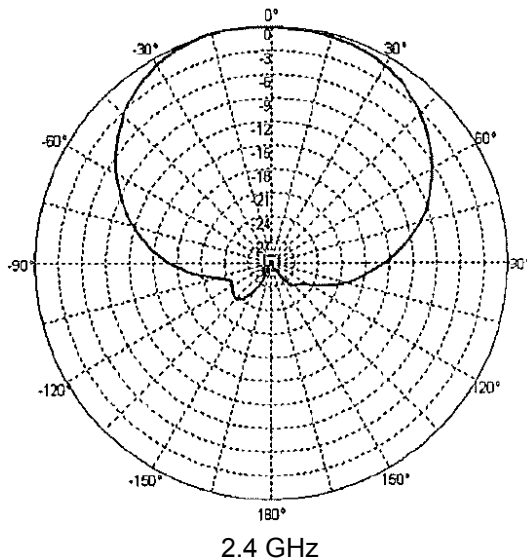


# 802.11n Quad Patch Antenna With RPSMA Plug Connectors

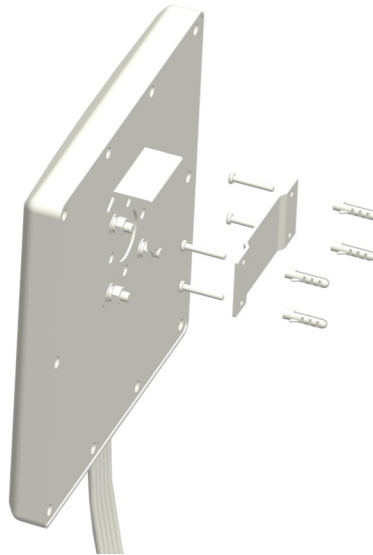
TerraWave's 2.4/5 GHz 6 dBi quad patch multiple-input and multiple-output (MIMO) antenna is designed to be operated with any manufacturer's enterprise-class 802.11n MIMO access points. The antenna comes with four RPSMA Plug connectors and 36" cables. With dual-band leads, each cable supports both 2.4 and 5 GHz, making it an ideal and aesthetically pleasing antenna to support demanding outdoor applications in next generation IEEE 802.11n wireless communication systems. The antenna radome is designed to withstand challenging environments where there is exposure to moisture and dust and comes with an articulating mount. All TerraWave antennas are covered by the Company's two-year TerraNet warranty program. For questions and to purchase product, contact a regional account executive at 210-375-8482, 800-851-4965 or sales@terrawave.com. Visit [www.terrawave.com](http://www.terrawave.com) for additional information.

Specifications		
Model	FANT-04ABGN-0606-P-R(M6060060MP1D43620)	
Frequency Range	2400 ~ 2500 MHz	5150 ~ 5850 MHz
Gain	6 dBi	
Vertical Beamwidth	80±20°	45±20°
Horizontal Beamwidth	80±20°	45±20°
VSWR	≤ 2.0	≤ 2.5
Front-to-back ratio	≥18	
Polarization	Vertical	
Max Power	100 Watts	
Connector	RPSMA Plug	
Pigtail Length	36" (w/ Connector)	
Dimensions	9.2" x 9.0" x 1.1"	
Weight	2.65 lbs	
Operating Temperature Range	-40° F to +140° F	
Mounting Style	Wall or Mast/Pole	

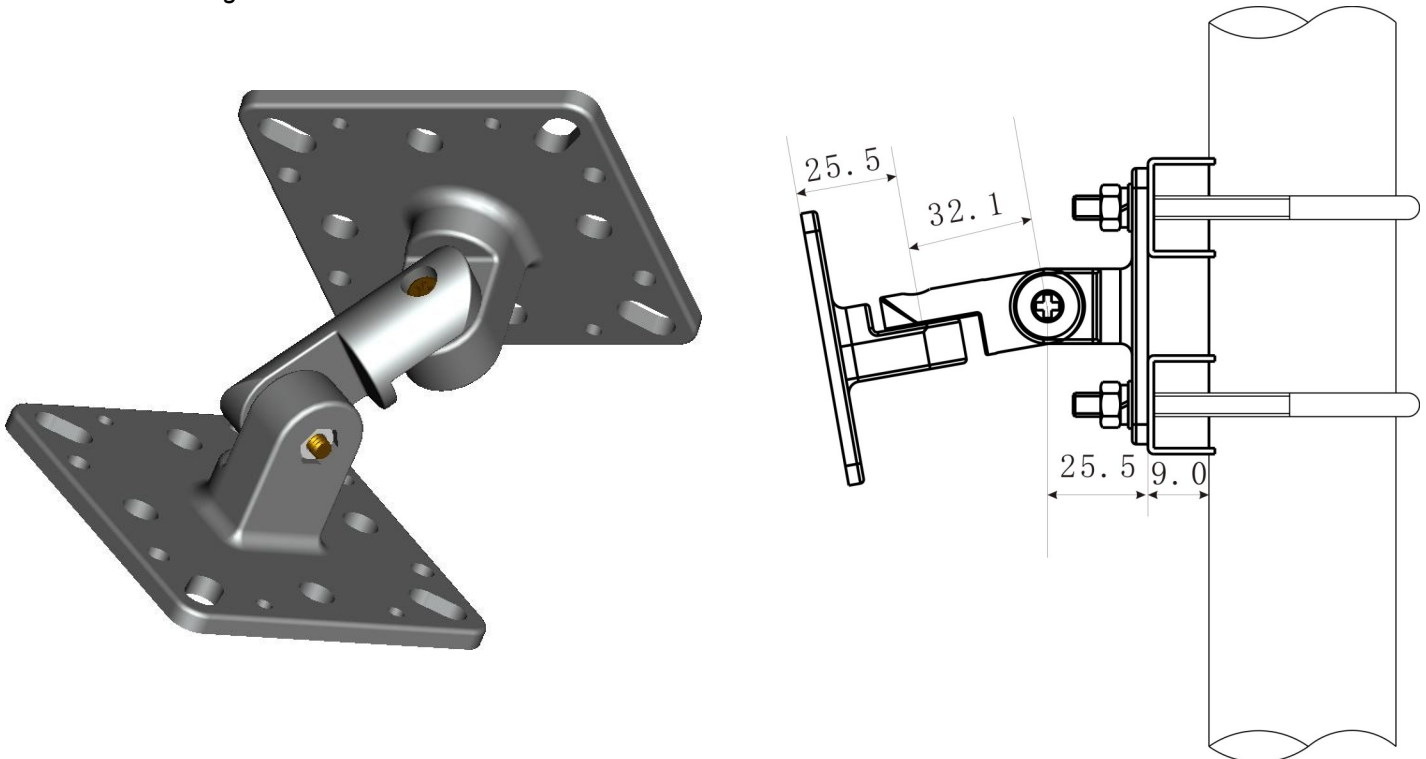


# 802.11n Quad Patch Antenna With RPSMA Plug Connectors

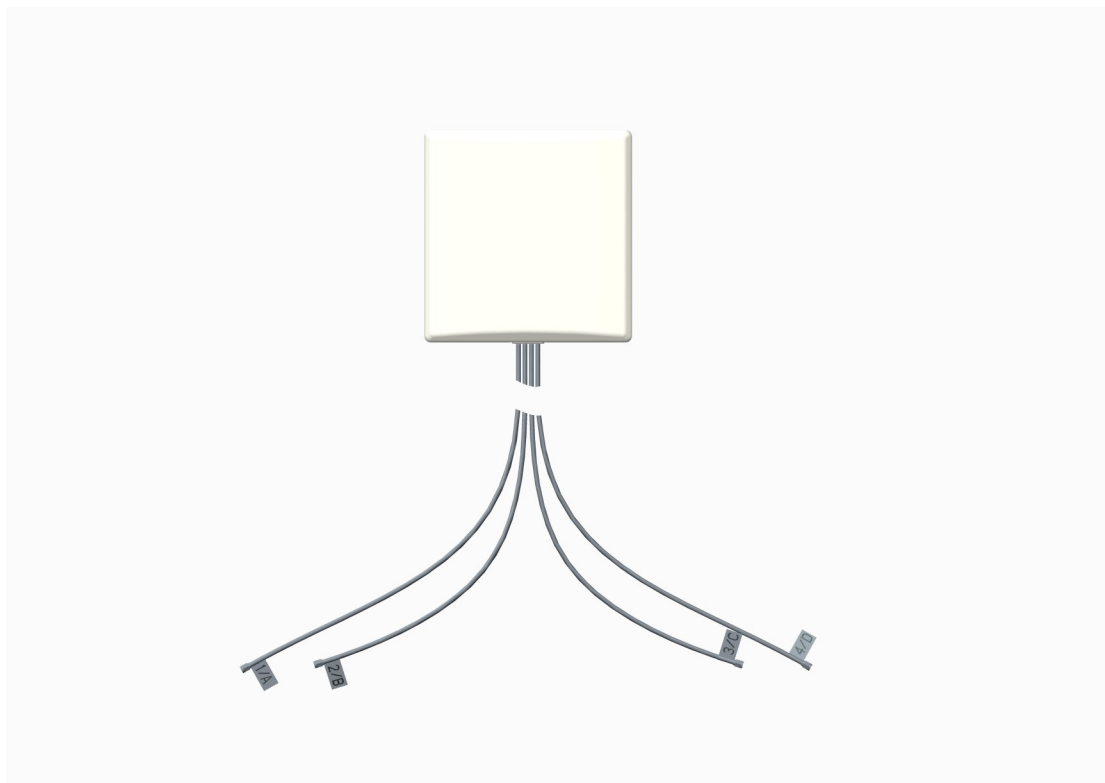
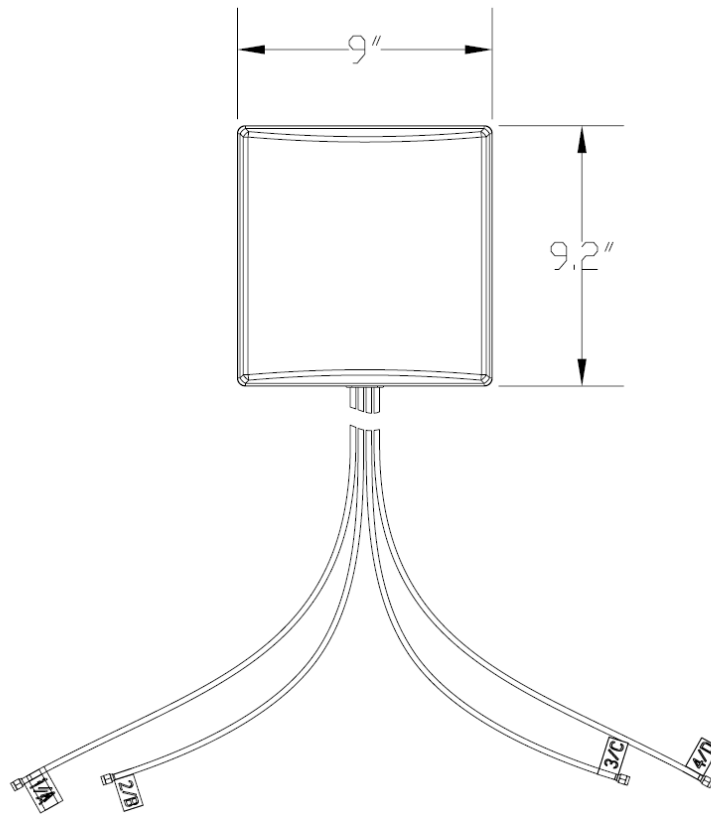
Wall Mount with screws:



Mast Mount with Articulating Mount:  
*Note: Articulating Mount can also be Wall Mounted*



# 802.11n Quad Patch Antenna With RPSMA Plug Connectors



**FANT-04ABGN-0606-P-R(M6060060MP1D43620) Test Report**

The FANT-04ABGN-0606-P-R(M6060060MP1D43620) is a four-lead dual-band directional antenna with RPMA male connectors. Each port of the antenna operates in the 2.4/5 GHz band. The peak gain of the antenna for each port (Include Cable loss) is listed in the chart below.

Freq	Peak Gain			
	P1	P2	P3	P4
2400	3.55	2.71	4.08	3.31
2450	4.81	4.13	4.77	4.26
2500	4.68	3.82	4.49	4.22
5150	5.70	5.81	6.28	6.01
5250	5.71	5.77	5.69	6.08
5350	5.68	5.75	5.35	5.77
5450	5.85	6.23	5.60	5.74
5550	6.13	6.78	5.74	6.05
5650	5.56	6.07	5.17	5.39
5750	5.78	5.62	6.31	5.62
5850	6.14	6.40	7.09	7.16

The gain of FANT-04ABGN-0606-P-R(M6060060MP1D43620) was also taken in one-degree increments across the frequency band of operation for the antenna at each port. This gain data is listed in the charts below.

Port 1:

Angle	FREQUENCY										
	2400	2450	2500	5150	5250	5350	5450	5550	5650	5750	5850
	Horizontal										
0	-6.49	-8.13	-10.55	3.49	3.60	3.55	3.34	2.24	1.64	-0.90	-3.94
1	-6.47	-7.99	-10.50	3.39	3.47	3.42	3.28	2.25	1.68	-0.81	-3.86
2	-6.44	-7.83	-10.42	3.27	3.32	3.28	3.20	2.26	1.71	-0.72	-3.74
3	-6.39	-7.64	-10.29	3.14	3.15	3.13	3.11	2.26	1.74	-0.62	-3.59
4	-6.33	-7.42	-10.12	3.00	2.97	2.95	3.01	2.25	1.76	-0.53	-3.41
5	-6.26	-7.19	-9.91	2.85	2.78	2.76	2.89	2.23	1.77	-0.43	-3.19
6	-6.18	-6.93	-9.65	2.69	2.57	2.56	2.76	2.19	1.77	-0.34	-2.94
7	-6.09	-6.66	-9.35	2.52	2.36	2.35	2.62	2.15	1.75	-0.26	-2.68
8	-5.99	-6.37	-9.01	2.35	2.13	2.13	2.46	2.08	1.72	-0.19	-2.40
9	-5.88	-6.07	-8.64	2.18	1.91	1.90	2.30	2.00	1.67	-0.13	-2.12
10	-5.76	-5.76	-8.23	2.00	1.67	1.67	2.12	1.90	1.61	-0.09	-1.84
11	-5.64	-5.45	-7.80	1.83	1.44	1.43	1.93	1.77	1.51	-0.06	-1.56
12	-5.50	-5.13	-7.35	1.65	1.21	1.18	1.73	1.62	1.40	-0.06	-1.31
13	-5.36	-4.80	-6.88	1.48	0.97	0.94	1.51	1.45	1.25	-0.07	-1.07

14	-5.21	-4.47	-6.41	1.30	0.73	0.69	1.28	1.25	1.08	-0.11	-0.86
15	-5.05	-4.15	-5.94	1.13	0.50	0.43	1.03	1.02	0.88	-0.17	-0.68
16	-4.88	-3.82	-5.47	0.95	0.26	0.17	0.77	0.77	0.65	-0.25	-0.52
17	-4.71	-3.50	-5.01	0.77	0.01	-0.10	0.48	0.48	0.39	-0.35	-0.41
18	-4.54	-3.19	-4.56	0.58	-0.24	-0.38	0.18	0.15	0.09	-0.48	-0.32
19	-4.36	-2.88	-4.12	0.38	-0.50	-0.67	-0.15	-0.21	-0.23	-0.63	-0.28
20	-4.18	-2.57	-3.69	0.17	-0.77	-0.98	-0.50	-0.60	-0.59	-0.80	-0.27
21	-3.99	-2.27	-3.28	-0.06	-1.07	-1.31	-0.89	-1.04	-0.98	-0.98	-0.30
22	-3.80	-1.98	-2.88	-0.30	-1.39	-1.67	-1.30	-1.51	-1.39	-1.19	-0.37
23	-3.61	-1.70	-2.50	-0.57	-1.73	-2.05	-1.74	-2.03	-1.83	-1.41	-0.49
24	-3.41	-1.43	-2.14	-0.86	-2.10	-2.47	-2.21	-2.59	-2.29	-1.63	-0.64
25	-3.22	-1.16	-1.79	-1.17	-2.51	-2.91	-2.73	-3.20	-2.76	-1.86	-0.83
26	-3.02	-0.91	-1.46	-1.52	-2.95	-3.39	-3.28	-3.85	-3.23	-2.08	-1.06
27	-2.83	-0.66	-1.14	-1.88	-3.42	-3.89	-3.86	-4.53	-3.67	-2.28	-1.32
28	-2.64	-0.42	-0.85	-2.27	-3.93	-4.41	-4.48	-5.23	-4.07	-2.45	-1.61
29	-2.45	-0.20	-0.56	-2.68	-4.45	-4.95	-5.12	-5.92	-4.38	-2.58	-1.93
30	-2.26	0.02	-0.30	-3.10	-4.98	-5.47	-5.77	-6.56	-4.57	-2.66	-2.27
31	-2.08	0.22	-0.04	-3.52	-5.50	-5.97	-6.41	-7.08	-4.62	-2.67	-2.62
32	-1.90	0.42	0.19	-3.92	-5.98	-6.40	-7.00	-7.40	-4.52	-2.62	-2.97
33	-1.72	0.60	0.41	-4.30	-6.39	-6.75	-7.49	-7.47	-4.28	-2.50	-3.30
34	-1.56	0.77	0.62	-4.63	-6.70	-6.98	-7.83	-7.27	-3.92	-2.33	-3.60
35	-1.39	0.94	0.81	-4.90	-6.88	-7.07	-7.96	-6.84	-3.49	-2.11	-3.85
36	-1.23	1.09	0.99	-5.09	-6.92	-7.03	-7.89	-6.27	-3.01	-1.86	-4.04
37	-1.08	1.23	1.16	-5.20	-6.82	-6.87	-7.61	-5.61	-2.52	-1.60	-4.16
38	-0.94	1.36	1.31	-5.22	-6.62	-6.63	-7.19	-4.95	-2.05	-1.34	-4.21
39	-0.80	1.48	1.45	-5.16	-6.34	-6.32	-6.69	-4.31	-1.61	-1.10	-4.20
40	-0.67	1.58	1.57	-5.05	-6.02	-5.99	-6.15	-3.72	-1.22	-0.88	-4.14
41	-0.55	1.68	1.69	-4.89	-5.69	-5.65	-5.62	-3.20	-0.89	-0.70	-4.04
42	-0.44	1.77	1.78	-4.72	-5.37	-5.33	-5.13	-2.75	-0.62	-0.56	-3.91
43	-0.33	1.85	1.87	-4.53	-5.08	-5.04	-4.69	-2.39	-0.41	-0.46	-3.78
44	-0.23	1.91	1.95	-4.36	-4.82	-4.78	-4.32	-2.10	-0.26	-0.41	-3.64
45	-0.13	1.97	2.01	-4.20	-4.60	-4.56	-4.02	-1.88	-0.18	-0.41	-3.52
46	-0.04	2.02	2.06	-4.06	-4.44	-4.40	-3.79	-1.74	-0.16	-0.46	-3.42
47	0.04	2.06	2.10	-3.96	-4.32	-4.27	-3.64	-1.67	-0.20	-0.54	-3.34
48	0.11	2.10	2.13	-3.90	-4.26	-4.20	-3.56	-1.67	-0.30	-0.67	-3.28
49	0.18	2.12	2.15	-3.87	-4.24	-4.18	-3.55	-1.73	-0.44	-0.83	-3.24
50	0.24	2.14	2.16	-3.88	-4.28	-4.22	-3.60	-1.84	-0.63	-1.01	-3.21
51	0.30	2.15	2.15	-3.94	-4.37	-4.30	-3.72	-2.01	-0.85	-1.20	-3.20
52	0.36	2.16	2.15	-4.04	-4.52	-4.43	-3.90	-2.22	-1.09	-1.40	-3.20
53	0.41	2.16	2.13	-4.19	-4.71	-4.62	-4.12	-2.47	-1.34	-1.57	-3.19
54	0.45	2.16	2.11	-4.39	-4.95	-4.85	-4.39	-2.73	-1.58	-1.72	-3.18
55	0.50	2.16	2.08	-4.63	-5.24	-5.12	-4.68	-2.99	-1.79	-1.82	-3.16
56	0.54	2.15	2.05	-4.92	-5.58	-5.42	-4.97	-3.24	-1.95	-1.87	-3.13
57	0.58	2.15	2.02	-5.25	-5.95	-5.75	-5.25	-3.45	-2.04	-1.86	-3.08

58	0.62	2.14	1.98	-5.62	-6.36	-6.08	-5.50	-3.60	-2.06	-1.80	-3.02
59	0.66	2.13	1.95	-6.02	-6.77	-6.39	-5.69	-3.68	-2.00	-1.68	-2.95
60	0.70	2.13	1.91	-6.44	-7.17	-6.66	-5.79	-3.68	-1.86	-1.52	-2.87
61	0.74	2.13	1.88	-6.85	-7.53	-6.86	-5.81	-3.60	-1.67	-1.34	-2.80
62	0.77	2.13	1.86	-7.23	-7.81	-6.96	-5.75	-3.46	-1.43	-1.15	-2.73
63	0.81	2.13	1.84	-7.53	-7.98	-6.95	-5.61	-3.26	-1.18	-0.96	-2.69
64	0.85	2.14	1.82	-7.72	-8.00	-6.84	-5.41	-3.03	-0.92	-0.79	-2.67
65	0.89	2.15	1.81	-7.76	-7.88	-6.63	-5.17	-2.80	-0.67	-0.65	-2.68
66	0.93	2.17	1.82	-7.64	-7.61	-6.35	-4.93	-2.57	-0.46	-0.54	-2.72
67	0.97	2.19	1.82	-7.36	-7.23	-6.04	-4.69	-2.37	-0.28	-0.48	-2.81
68	1.02	2.21	1.84	-6.95	-6.79	-5.71	-4.48	-2.20	-0.14	-0.46	-2.95
69	1.06	2.23	1.87	-6.47	-6.32	-5.39	-4.30	-2.08	-0.05	-0.49	-3.13
70	1.10	2.26	1.90	-5.95	-5.84	-5.10	-4.17	-2.00	-0.01	-0.58	-3.37
71	1.14	2.29	1.94	-5.42	-5.39	-4.85	-4.09	-1.97	-0.02	-0.71	-3.64
72	1.18	2.32	1.98	-4.91	-4.98	-4.65	-4.06	-1.99	-0.08	-0.89	-3.96
73	1.22	2.36	2.03	-4.44	-4.63	-4.51	-4.10	-2.07	-0.20	-1.12	-4.32
74	1.25	2.39	2.08	-4.02	-4.32	-4.43	-4.19	-2.19	-0.35	-1.39	-4.71
75	1.29	2.42	2.13	-3.65	-4.08	-4.41	-4.34	-2.36	-0.55	-1.70	-5.11
76	1.32	2.45	2.19	-3.33	-3.90	-4.46	-4.55	-2.57	-0.79	-2.03	-5.52
77	1.35	2.48	2.24	-3.07	-3.78	-4.57	-4.82	-2.81	-1.05	-2.38	-5.91
78	1.37	2.50	2.30	-2.86	-3.72	-4.75	-5.14	-3.09	-1.34	-2.74	-6.27
79	1.39	2.52	2.35	-2.70	-3.71	-4.99	-5.52	-3.38	-1.64	-3.10	-6.58
80	1.41	2.54	2.40	-2.59	-3.76	-5.29	-5.94	-3.69	-1.95	-3.44	-6.82
81	1.43	2.55	2.44	-2.52	-3.85	-5.66	-6.41	-4.00	-2.26	-3.75	-6.97
82	1.44	2.56	2.47	-2.48	-3.99	-6.10	-6.92	-4.31	-2.56	-4.02	-7.04
83	1.44	2.56	2.50	-2.48	-4.17	-6.59	-7.46	-4.61	-2.83	-4.25	-7.03
84	1.44	2.55	2.53	-2.51	-4.39	-7.15	-8.03	-4.88	-3.08	-4.42	-6.94
85	1.44	2.54	2.54	-2.55	-4.64	-7.77	-8.62	-5.12	-3.29	-4.54	-6.78
86	1.43	2.52	2.55	-2.62	-4.91	-8.45	-9.23	-5.32	-3.47	-4.60	-6.58
87	1.42	2.50	2.55	-2.71	-5.20	-9.20	-9.83	-5.49	-3.62	-4.61	-6.34
88	1.40	2.46	2.54	-2.81	-5.50	-10.01	-10.43	-5.61	-3.72	-4.58	-6.07
89	1.37	2.42	2.51	-2.92	-5.82	-10.89	-10.99	-5.69	-3.79	-4.50	-5.78
90	1.35	2.38	2.48	-3.05	-6.16	-11.85	-11.50	-5.74	-3.83	-4.39	-5.49
91	1.32	2.32	2.44	-3.20	-6.50	-12.89	-11.94	-5.74	-3.84	-4.26	-5.18
92	1.28	2.26	2.39	-3.36	-6.86	-14.04	-12.28	-5.72	-3.83	-4.10	-4.87
93	1.24	2.19	2.32	-3.55	-7.24	-15.31	-12.50	-5.68	-3.80	-3.92	-4.56
94	1.20	2.12	2.25	-3.75	-7.63	-16.75	-12.56	-5.61	-3.74	-3.73	-4.25
95	1.15	2.04	2.16	-3.98	-8.06	-18.42	-12.49	-5.52	-3.68	-3.53	-3.94
96	1.10	1.96	2.07	-4.24	-8.51	-20.44	-12.27	-5.42	-3.59	-3.32	-3.64
97	1.05	1.87	1.96	-4.52	-8.99	-23.00	-11.94	-5.32	-3.50	-3.11	-3.35
98	0.99	1.78	1.85	-4.83	-9.51	-26.58	-11.53	-5.20	-3.40	-2.89	-3.07
99	0.93	1.69	1.72	-5.18	-10.08	-32.56	-11.07	-5.08	-3.29	-2.67	-2.81
100	0.88	1.59	1.60	-5.55	-10.70	-42.61	-10.59	-4.96	-3.17	-2.45	-2.56
101	0.82	1.49	1.46	-5.95	-11.37	-31.52	-10.10	-4.85	-3.05	-2.25	-2.33

102	0.76	1.40	1.32	-6.38	-12.09	-25.98	-9.64	-4.73	-2.93	-2.05	-2.13
103	0.70	1.30	1.18	-6.83	-12.87	-22.55	-9.19	-4.63	-2.82	-1.87	-1.96
104	0.64	1.21	1.04	-7.32	-13.70	-20.08	-8.79	-4.53	-2.71	-1.72	-1.82
105	0.59	1.12	0.91	-7.83	-14.59	-18.14	-8.42	-4.45	-2.62	-1.59	-1.70
106	0.54	1.04	0.77	-8.37	-15.53	-16.55	-8.08	-4.39	-2.55	-1.49	-1.62
107	0.49	0.97	0.65	-8.94	-16.49	-15.20	-7.78	-4.34	-2.50	-1.43	-1.57
108	0.44	0.90	0.53	-9.55	-17.44	-14.04	-7.52	-4.32	-2.48	-1.40	-1.55
109	0.40	0.84	0.43	-10.19	-18.34	-13.02	-7.27	-4.31	-2.48	-1.40	-1.57
110	0.37	0.79	0.34	-10.89	-19.09	-12.12	-7.05	-4.33	-2.51	-1.44	-1.61
111	0.34	0.76	0.27	-11.65	-19.58	-11.31	-6.84	-4.37	-2.57	-1.52	-1.68
112	0.32	0.74	0.21	-12.51	-19.70	-10.58	-6.63	-4.43	-2.66	-1.63	-1.77
113	0.30	0.73	0.17	-13.50	-19.41	-9.91	-6.42	-4.50	-2.77	-1.78	-1.89
114	0.29	0.73	0.16	-14.66	-18.74	-9.29	-6.20	-4.59	-2.92	-1.95	-2.02
115	0.29	0.74	0.16	-16.09	-17.77	-8.71	-5.97	-4.70	-3.09	-2.15	-2.16
116	0.30	0.77	0.18	-17.93	-16.61	-8.15	-5.73	-4.81	-3.28	-2.38	-2.30
117	0.31	0.81	0.22	-20.45	-15.37	-7.62	-5.47	-4.92	-3.49	-2.62	-2.45
118	0.33	0.86	0.27	-24.26	-14.10	-7.09	-5.21	-5.05	-3.73	-2.88	-2.58
119	0.36	0.92	0.35	-30.89	-12.84	-6.58	-4.94	-5.17	-3.97	-3.14	-2.70
120	0.40	0.99	0.43	-30.94	-11.63	-6.07	-4.67	-5.29	-4.23	-3.41	-2.81
121	0.44	1.06	0.53	-23.61	-10.46	-5.57	-4.40	-5.41	-4.49	-3.66	-2.89
122	0.49	1.15	0.63	-19.18	-9.36	-5.08	-4.13	-5.52	-4.74	-3.90	-2.94
123	0.54	1.24	0.75	-16.09	-8.33	-4.60	-3.87	-5.62	-4.99	-4.11	-2.97
124	0.60	1.34	0.87	-13.73	-7.38	-4.13	-3.62	-5.70	-5.22	-4.28	-2.97
125	0.66	1.44	1.00	-11.83	-6.49	-3.68	-3.38	-5.76	-5.42	-4.42	-2.96
126	0.73	1.54	1.13	-10.24	-5.67	-3.26	-3.15	-5.80	-5.59	-4.51	-2.93
127	0.80	1.65	1.26	-8.88	-4.93	-2.86	-2.93	-5.80	-5.71	-4.56	-2.90
128	0.88	1.76	1.39	-7.71	-4.25	-2.48	-2.71	-5.77	-5.77	-4.58	-2.87
129	0.95	1.87	1.52	-6.69	-3.63	-2.14	-2.50	-5.69	-5.78	-4.55	-2.84
130	1.04	1.98	1.66	-5.79	-3.07	-1.82	-2.30	-5.56	-5.73	-4.50	-2.83
131	1.12	2.09	1.79	-5.00	-2.58	-1.53	-2.10	-5.38	-5.61	-4.42	-2.84
132	1.20	2.20	1.92	-4.31	-2.13	-1.26	-1.91	-5.15	-5.43	-4.32	-2.88
133	1.29	2.31	2.04	-3.69	-1.73	-1.03	-1.72	-4.88	-5.19	-4.20	-2.93
134	1.38	2.42	2.16	-3.14	-1.39	-0.81	-1.53	-4.56	-4.91	-4.08	-3.02
135	1.47	2.53	2.28	-2.66	-1.08	-0.62	-1.35	-4.20	-4.57	-3.94	-3.13
136	1.56	2.63	2.40	-2.24	-0.82	-0.45	-1.17	-3.80	-4.21	-3.79	-3.26
137	1.65	2.74	2.51	-1.87	-0.59	-0.30	-0.99	-3.39	-3.82	-3.64	-3.42
138	1.73	2.84	2.62	-1.55	-0.40	-0.17	-0.81	-2.96	-3.41	-3.50	-3.61
139	1.82	2.94	2.72	-1.27	-0.23	-0.04	-0.63	-2.52	-3.00	-3.35	-3.81
140	1.91	3.04	2.82	-1.03	-0.10	0.07	-0.44	-2.08	-2.60	-3.22	-4.03
141	2.00	3.14	2.92	-0.83	0.00	0.17	-0.25	-1.65	-2.21	-3.09	-4.27
142	2.08	3.23	3.01	-0.66	0.08	0.26	-0.05	-1.23	-1.84	-2.98	-4.52
143	2.17	3.32	3.10	-0.53	0.14	0.35	0.14	-0.84	-1.50	-2.90	-4.78
144	2.25	3.41	3.18	-0.43	0.17	0.43	0.34	-0.46	-1.19	-2.83	-5.03
145	2.33	3.50	3.26	-0.35	0.19	0.50	0.55	-0.11	-0.91	-2.79	-5.29

146	2.40	3.58	3.34	-0.30	0.19	0.57	0.74	0.20	-0.66	-2.77	-5.52
147	2.48	3.66	3.41	-0.28	0.18	0.63	0.94	0.49	-0.45	-2.77	-5.72
148	2.55	3.74	3.48	-0.27	0.15	0.69	1.12	0.75	-0.28	-2.80	-5.87
149	2.62	3.81	3.55	-0.29	0.10	0.74	1.30	0.98	-0.14	-2.84	-5.95
150	2.68	3.89	3.61	-0.32	0.05	0.79	1.46	1.17	-0.03	-2.89	-5.93
151	2.74	3.95	3.67	-0.37	-0.01	0.83	1.61	1.34	0.05	-2.94	-5.79
152	2.80	4.02	3.73	-0.43	-0.09	0.86	1.73	1.47	0.09	-2.99	-5.54
153	2.86	4.08	3.78	-0.49	-0.17	0.88	1.84	1.58	0.12	-3.01	-5.16
154	2.91	4.14	3.84	-0.57	-0.26	0.88	1.93	1.66	0.12	-2.99	-4.67
155	2.96	4.20	3.89	-0.65	-0.36	0.88	2.00	1.72	0.12	-2.93	-4.10
156	3.00	4.25	3.94	-0.73	-0.47	0.86	2.05	1.75	0.10	-2.79	-3.47
157	3.05	4.30	3.99	-0.81	-0.58	0.84	2.07	1.76	0.09	-2.59	-2.79
158	3.09	4.34	4.03	-0.89	-0.70	0.80	2.08	1.75	0.09	-2.30	-2.10
159	3.12	4.39	4.08	-0.96	-0.83	0.74	2.06	1.73	0.10	-1.93	-1.40
160	3.15	4.43	4.12	-1.03	-0.97	0.68	2.03	1.70	0.14	-1.49	-0.71
161	3.18	4.47	4.16	-1.09	-1.11	0.60	1.99	1.66	0.22	-1.00	-0.03
162	3.21	4.50	4.20	-1.14	-1.26	0.52	1.93	1.63	0.34	-0.46	0.61
163	3.24	4.54	4.24	-1.18	-1.42	0.42	1.86	1.59	0.50	0.10	1.23
164	3.26	4.57	4.27	-1.21	-1.57	0.32	1.79	1.57	0.70	0.67	1.81
165	3.28	4.60	4.31	-1.23	-1.73	0.21	1.71	1.56	0.95	1.23	2.36
166	3.30	4.62	4.34	-1.24	-1.89	0.10	1.64	1.57	1.23	1.78	2.87
167	3.32	4.65	4.37	-1.24	-2.05	-0.02	1.57	1.60	1.53	2.31	3.34
168	3.33	4.67	4.40	-1.23	-2.19	-0.14	1.50	1.66	1.86	2.81	3.77
169	3.34	4.69	4.43	-1.20	-2.33	-0.26	1.44	1.73	2.18	3.28	4.17
170	3.36	4.71	4.45	-1.16	-2.45	-0.38	1.38	1.81	2.51	3.70	4.52
171	3.37	4.73	4.47	-1.10	-2.56	-0.50	1.33	1.91	2.82	4.09	4.84
172	3.37	4.74	4.49	-1.03	-2.64	-0.62	1.28	2.01	3.12	4.44	5.12
173	3.38	4.75	4.51	-0.94	-2.69	-0.73	1.23	2.12	3.39	4.75	5.37
174	3.39	4.76	4.53	-0.83	-2.71	-0.83	1.18	2.22	3.63	5.01	5.58
175	3.39	4.77	4.54	-0.71	-2.69	-0.93	1.13	2.31	3.84	5.23	5.75
176	3.40	4.78	4.55	-0.56	-2.64	-1.02	1.07	2.40	4.02	5.41	5.89
177	3.40	4.79	4.57	-0.39	-2.54	-1.09	1.01	2.47	4.17	5.55	5.99
178	3.40	4.79	4.57	-0.20	-2.39	-1.15	0.95	2.52	4.28	5.65	6.07
179	3.40	4.80	4.58	0.01	-2.20	-1.19	0.88	2.56	4.36	5.71	6.11
180	3.40	4.80	4.59	0.25	-1.97	-1.19	0.81	2.58	4.41	5.73	6.11
181	3.39	4.79	4.59	0.50	-1.69	-1.16	0.73	2.58	4.42	5.71	6.09
182	3.39	4.79	4.60	0.76	-1.38	-1.09	0.66	2.57	4.41	5.66	6.04
183	3.38	4.79	4.60	1.04	-1.03	-0.98	0.60	2.54	4.36	5.57	5.95
184	3.37	4.78	4.60	1.33	-0.66	-0.81	0.55	2.50	4.29	5.45	5.83
185	3.36	4.77	4.60	1.62	-0.27	-0.59	0.53	2.45	4.20	5.29	5.69
186	3.35	4.76	4.60	1.92	0.14	-0.33	0.53	2.40	4.08	5.10	5.51
187	3.33	4.74	4.60	2.21	0.55	-0.02	0.57	2.35	3.95	4.89	5.31
188	3.31	4.73	4.60	2.50	0.96	0.32	0.65	2.30	3.81	4.64	5.07
189	3.29	4.71	4.59	2.78	1.36	0.68	0.77	2.27	3.66	4.38	4.81



190	3.26	4.69	4.59	3.05	1.75	1.07	0.95	2.26	3.51	4.09	4.51
191	3.24	4.67	4.58	3.30	2.13	1.46	1.18	2.28	3.38	3.79	4.20
192	3.21	4.64	4.57	3.53	2.48	1.84	1.45	2.34	3.25	3.48	3.85
193	3.17	4.61	4.55	3.75	2.82	2.23	1.75	2.43	3.16	3.17	3.49
194	3.14	4.58	4.54	3.95	3.13	2.59	2.08	2.56	3.09	2.87	3.10
195	3.10	4.55	4.52	4.12	3.41	2.94	2.42	2.73	3.06	2.58	2.70
196	3.06	4.51	4.50	4.28	3.67	3.27	2.78	2.94	3.07	2.33	2.30
197	3.01	4.48	4.48	4.41	3.90	3.57	3.13	3.17	3.12	2.11	1.89
198	2.96	4.44	4.45	4.52	4.11	3.84	3.47	3.42	3.21	1.93	1.48
199	2.91	4.39	4.42	4.61	4.29	4.09	3.80	3.69	3.33	1.81	1.09
200	2.86	4.35	4.39	4.67	4.44	4.32	4.10	3.96	3.47	1.73	0.73
201	2.80	4.30	4.35	4.72	4.57	4.52	4.38	4.22	3.64	1.70	0.40
202	2.75	4.25	4.31	4.75	4.67	4.69	4.63	4.48	3.81	1.71	0.12
203	2.68	4.20	4.26	4.75	4.75	4.83	4.86	4.72	3.99	1.74	-0.11
204	2.62	4.14	4.21	4.74	4.81	4.96	5.05	4.95	4.17	1.81	-0.29
205	2.55	4.09	4.16	4.71	4.85	5.06	5.22	5.15	4.33	1.88	-0.41
206	2.49	4.03	4.10	4.66	4.87	5.13	5.36	5.34	4.48	1.96	-0.48
207	2.42	3.96	4.04	4.60	4.86	5.18	5.47	5.49	4.62	2.03	-0.49
208	2.34	3.90	3.97	4.52	4.84	5.21	5.55	5.63	4.73	2.09	-0.47
209	2.27	3.83	3.90	4.41	4.79	5.22	5.61	5.74	4.83	2.14	-0.42
210	2.19	3.76	3.82	4.29	4.72	5.20	5.64	5.83	4.91	2.18	-0.34
211	2.11	3.69	3.74	4.15	4.63	5.16	5.65	5.89	4.97	2.20	-0.25
212	2.03	3.62	3.66	3.98	4.52	5.10	5.63	5.94	5.01	2.20	-0.16
213	1.95	3.54	3.57	3.79	4.38	5.01	5.59	5.96	5.04	2.18	-0.06
214	1.87	3.47	3.48	3.57	4.22	4.89	5.53	5.96	5.05	2.15	0.02
215	1.78	3.38	3.38	3.33	4.02	4.74	5.45	5.95	5.04	2.10	0.08
216	1.69	3.30	3.28	3.05	3.80	4.56	5.34	5.91	5.02	2.04	0.13
217	1.60	3.22	3.18	2.75	3.54	4.35	5.21	5.85	4.99	1.98	0.15
218	1.51	3.13	3.07	2.41	3.25	4.10	5.05	5.77	4.94	1.90	0.14
219	1.41	3.04	2.96	2.05	2.93	3.82	4.86	5.66	4.88	1.82	0.11
220	1.32	2.95	2.84	1.66	2.57	3.50	4.64	5.53	4.81	1.74	0.05
221	1.22	2.85	2.72	1.26	2.17	3.14	4.38	5.38	4.71	1.65	-0.04
222	1.12	2.76	2.60	0.84	1.74	2.74	4.09	5.19	4.60	1.56	-0.15
223	1.02	2.66	2.48	0.43	1.29	2.31	3.77	4.97	4.47	1.47	-0.28
224	0.92	2.56	2.35	0.04	0.81	1.83	3.40	4.72	4.32	1.38	-0.43
225	0.82	2.46	2.21	-0.30	0.32	1.33	3.00	4.44	4.15	1.29	-0.59
226	0.72	2.36	2.08	-0.58	-0.15	0.80	2.55	4.12	3.95	1.19	-0.76
227	0.61	2.26	1.94	-0.75	-0.59	0.26	2.07	3.76	3.72	1.09	-0.92
228	0.51	2.15	1.80	-0.81	-0.97	-0.28	1.57	3.37	3.47	0.98	-1.06
229	0.41	2.05	1.66	-0.75	-1.26	-0.78	1.04	2.94	3.20	0.87	-1.19
230	0.31	1.95	1.51	-0.58	-1.42	-1.24	0.51	2.49	2.90	0.76	-1.28
231	0.21	1.85	1.37	-0.31	-1.43	-1.60	-0.01	2.01	2.57	0.64	-1.35
232	0.12	1.76	1.23	0.04	-1.31	-1.85	-0.48	1.52	2.23	0.51	-1.37
233	0.03	1.67	1.09	0.43	-1.06	-1.96	-0.88	1.04	1.87	0.37	-1.36

234	-0.05	1.58	0.95	0.84	-0.72	-1.92	-1.18	0.58	1.50	0.23	-1.31
235	-0.12	1.50	0.82	1.27	-0.30	-1.73	-1.35	0.16	1.13	0.08	-1.23
236	-0.19	1.43	0.70	1.68	0.15	-1.44	-1.37	-0.19	0.77	-0.07	-1.13
237	-0.25	1.36	0.59	2.08	0.62	-1.05	-1.26	-0.45	0.43	-0.23	-1.02
238	-0.30	1.31	0.49	2.45	1.09	-0.62	-1.03	-0.60	0.13	-0.39	-0.91
239	-0.33	1.26	0.40	2.79	1.54	-0.15	-0.70	-0.63	-0.13	-0.56	-0.79
240	-0.36	1.23	0.33	3.10	1.96	0.32	-0.32	-0.54	-0.33	-0.72	-0.69
241	-0.37	1.21	0.27	3.37	2.36	0.79	0.10	-0.35	-0.46	-0.89	-0.61
242	-0.37	1.20	0.23	3.61	2.72	1.24	0.54	-0.07	-0.51	-1.06	-0.55
243	-0.36	1.20	0.22	3.81	3.04	1.66	0.97	0.26	-0.49	-1.21	-0.51
244	-0.34	1.22	0.22	3.98	3.32	2.06	1.38	0.63	-0.39	-1.36	-0.51
245	-0.30	1.25	0.24	4.12	3.57	2.42	1.78	1.02	-0.23	-1.49	-0.53
246	-0.26	1.28	0.28	4.23	3.78	2.74	2.15	1.42	0.00	-1.60	-0.59
247	-0.20	1.33	0.34	4.31	3.95	3.03	2.48	1.81	0.27	-1.67	-0.69
248	-0.13	1.39	0.41	4.36	4.09	3.29	2.79	2.18	0.57	-1.71	-0.81
249	-0.06	1.46	0.50	4.40	4.19	3.50	3.06	2.53	0.90	-1.69	-0.96
250	0.02	1.53	0.60	4.43	4.27	3.68	3.30	2.86	1.23	-1.62	-1.14
251	0.10	1.61	0.70	4.44	4.32	3.83	3.50	3.15	1.57	-1.50	-1.33
252	0.19	1.69	0.82	4.45	4.34	3.94	3.66	3.41	1.90	-1.33	-1.54
253	0.28	1.78	0.94	4.46	4.35	4.02	3.79	3.64	2.20	-1.12	-1.76
254	0.37	1.86	1.06	4.48	4.34	4.06	3.89	3.82	2.49	-0.88	-1.98
255	0.47	1.95	1.18	4.50	4.31	4.08	3.95	3.97	2.74	-0.62	-2.20
256	0.56	2.03	1.30	4.53	4.29	4.08	3.98	4.07	2.96	-0.36	-2.40
257	0.65	2.11	1.42	4.58	4.26	4.06	3.97	4.14	3.14	-0.11	-2.59
258	0.73	2.19	1.53	4.64	4.23	4.02	3.94	4.16	3.29	0.12	-2.75
259	0.82	2.26	1.64	4.70	4.20	3.96	3.88	4.14	3.39	0.32	-2.89
260	0.90	2.33	1.74	4.78	4.19	3.90	3.80	4.09	3.46	0.49	-3.01
261	0.98	2.40	1.84	4.86	4.18	3.84	3.70	4.00	3.48	0.64	-3.10
262	1.05	2.46	1.93	4.95	4.19	3.78	3.58	3.88	3.48	0.75	-3.16
263	1.12	2.51	2.01	5.04	4.21	3.72	3.46	3.73	3.44	0.84	-3.20
264	1.18	2.56	2.08	5.13	4.24	3.68	3.33	3.56	3.38	0.90	-3.21
265	1.24	2.60	2.14	5.22	4.29	3.65	3.21	3.38	3.30	0.95	-3.21
266	1.29	2.64	2.20	5.30	4.34	3.64	3.11	3.18	3.20	0.99	-3.17
267	1.34	2.67	2.24	5.38	4.40	3.65	3.02	2.99	3.09	1.01	-3.12
268	1.39	2.69	2.28	5.46	4.47	3.68	2.95	2.80	2.98	1.03	-3.04
269	1.42	2.71	2.31	5.52	4.55	3.73	2.91	2.62	2.86	1.06	-2.95
270	1.46	2.72	2.33	5.58	4.62	3.79	2.89	2.46	2.75	1.08	-2.83
271	1.49	2.72	2.34	5.61	4.68	3.86	2.91	2.32	2.64	1.10	-2.69
272	1.51	2.73	2.35	5.62	4.74	3.94	2.96	2.21	2.54	1.12	-2.54
273	1.53	2.72	2.34	5.61	4.78	4.02	3.02	2.13	2.44	1.15	-2.37
274	1.55	2.71	2.34	5.57	4.80	4.09	3.11	2.08	2.36	1.18	-2.18
275	1.56	2.70	2.32	5.50	4.80	4.15	3.21	2.07	2.30	1.21	-1.99
276	1.57	2.68	2.30	5.38	4.76	4.19	3.31	2.10	2.26	1.25	-1.79
277	1.57	2.66	2.28	5.23	4.69	4.21	3.40	2.15	2.23	1.30	-1.59

278	1.57	2.63	2.25	5.03	4.58	4.20	3.48	2.22	2.22	1.35	-1.39
279	1.56	2.61	2.22	4.79	4.44	4.15	3.54	2.30	2.23	1.40	-1.19
280	1.56	2.58	2.19	4.50	4.24	4.06	3.57	2.38	2.25	1.45	-1.00
281	1.55	2.54	2.16	4.17	4.01	3.93	3.56	2.45	2.28	1.50	-0.83
282	1.53	2.51	2.13	3.79	3.72	3.75	3.50	2.50	2.29	1.54	-0.68
283	1.51	2.48	2.10	3.38	3.40	3.53	3.41	2.51	2.30	1.57	-0.55
284	1.49	2.44	2.07	2.95	3.05	3.27	3.26	2.48	2.28	1.58	-0.44
285	1.47	2.40	2.05	2.50	2.67	2.97	3.06	2.40	2.23	1.56	-0.36
286	1.44	2.37	2.03	2.08	2.28	2.64	2.82	2.28	2.14	1.51	-0.30
287	1.41	2.33	2.02	1.69	1.90	2.30	2.53	2.11	2.02	1.44	-0.28
288	1.38	2.30	2.01	1.37	1.55	1.95	2.21	1.89	1.85	1.32	-0.28
289	1.35	2.26	2.01	1.16	1.27	1.63	1.87	1.62	1.64	1.17	-0.31
290	1.31	2.23	2.02	1.07	1.08	1.35	1.54	1.33	1.40	0.99	-0.37
291	1.27	2.20	2.04	1.11	1.00	1.15	1.23	1.03	1.12	0.77	-0.45
292	1.23	2.17	2.06	1.27	1.05	1.05	0.97	0.73	0.83	0.53	-0.56
293	1.19	2.14	2.08	1.53	1.21	1.07	0.80	0.47	0.54	0.26	-0.69
294	1.15	2.11	2.12	1.86	1.47	1.20	0.75	0.27	0.26	-0.01	-0.83
295	1.10	2.08	2.15	2.24	1.80	1.43	0.82	0.16	0.02	-0.29	-0.99
296	1.05	2.06	2.19	2.64	2.17	1.74	1.01	0.17	-0.16	-0.56	-1.16
297	1.00	2.03	2.24	3.04	2.57	2.11	1.31	0.29	-0.25	-0.79	-1.33
298	0.95	2.00	2.28	3.42	2.98	2.51	1.68	0.52	-0.24	-0.98	-1.51
299	0.90	1.97	2.32	3.78	3.37	2.92	2.11	0.85	-0.13	-1.12	-1.69
300	0.84	1.94	2.36	4.12	3.74	3.33	2.55	1.24	0.07	-1.18	-1.87
301	0.78	1.91	2.40	4.42	4.08	3.71	3.00	1.66	0.36	-1.16	-2.04
302	0.72	1.88	2.43	4.69	4.38	4.07	3.43	2.09	0.69	-1.07	-2.21
303	0.65	1.84	2.46	4.92	4.66	4.39	3.82	2.52	1.06	-0.92	-2.36
304	0.58	1.80	2.49	5.11	4.89	4.67	4.18	2.92	1.43	-0.72	-2.50
305	0.51	1.75	2.51	5.27	5.08	4.92	4.49	3.28	1.79	-0.48	-2.63
306	0.44	1.71	2.51	5.40	5.24	5.12	4.75	3.59	2.13	-0.23	-2.74
307	0.36	1.65	2.52	5.48	5.35	5.27	4.96	3.86	2.43	0.02	-2.84
308	0.28	1.59	2.51	5.53	5.43	5.39	5.12	4.07	2.69	0.26	-2.92
309	0.20	1.53	2.49	5.55	5.46	5.46	5.23	4.24	2.91	0.49	-2.99
310	0.11	1.46	2.46	5.53	5.46	5.48	5.29	4.35	3.08	0.69	-3.03
311	0.02	1.38	2.42	5.47	5.42	5.47	5.30	4.42	3.21	0.86	-3.05
312	-0.07	1.30	2.38	5.39	5.35	5.42	5.27	4.44	3.29	1.01	-3.05
313	-0.16	1.21	2.31	5.27	5.24	5.33	5.20	4.42	3.34	1.14	-3.02
314	-0.26	1.11	2.24	5.13	5.11	5.20	5.08	4.36	3.35	1.24	-2.96
315	-0.37	1.00	2.16	4.95	4.94	5.04	4.94	4.26	3.33	1.32	-2.87
316	-0.48	0.89	2.06	4.76	4.76	4.86	4.76	4.14	3.28	1.38	-2.76
317	-0.59	0.77	1.95	4.55	4.56	4.66	4.56	4.00	3.22	1.42	-2.62
318	-0.70	0.64	1.82	4.33	4.34	4.43	4.34	3.84	3.14	1.46	-2.45
319	-0.82	0.50	1.69	4.09	4.12	4.20	4.12	3.66	3.05	1.49	-2.27
320	-0.94	0.35	1.54	3.86	3.90	3.97	3.89	3.48	2.95	1.51	-2.07
321	-1.07	0.19	1.37	3.62	3.68	3.74	3.66	3.29	2.85	1.52	-1.85

322	-1.20	0.02	1.19	3.40	3.47	3.52	3.44	3.10	2.74	1.53	-1.64
323	-1.34	-0.16	1.00	3.19	3.29	3.32	3.23	2.92	2.64	1.53	-1.43
324	-1.48	-0.35	0.79	2.99	3.12	3.15	3.04	2.74	2.53	1.53	-1.22
325	-1.63	-0.55	0.56	2.83	2.98	2.99	2.88	2.57	2.43	1.52	-1.03
326	-1.78	-0.77	0.32	2.68	2.87	2.88	2.73	2.41	2.33	1.49	-0.85
327	-1.94	-0.99	0.07	2.57	2.79	2.79	2.61	2.25	2.22	1.46	-0.69
328	-2.10	-1.23	-0.20	2.49	2.74	2.73	2.51	2.10	2.12	1.41	-0.56
329	-2.27	-1.48	-0.49	2.43	2.72	2.70	2.44	1.96	2.01	1.34	-0.46
330	-2.44	-1.74	-0.79	2.40	2.72	2.69	2.38	1.82	1.90	1.25	-0.39
331	-2.61	-2.01	-1.11	2.39	2.74	2.71	2.34	1.69	1.78	1.15	-0.35
332	-2.79	-2.29	-1.45	2.41	2.78	2.74	2.31	1.57	1.67	1.03	-0.35
333	-2.98	-2.58	-1.80	2.44	2.83	2.78	2.29	1.45	1.55	0.90	-0.38
334	-3.17	-2.89	-2.17	2.49	2.89	2.83	2.28	1.34	1.42	0.75	-0.45
335	-3.36	-3.20	-2.55	2.54	2.95	2.88	2.27	1.24	1.30	0.59	-0.55
336	-3.55	-3.52	-2.95	2.60	3.03	2.94	2.28	1.15	1.19	0.42	-0.68
337	-3.74	-3.85	-3.37	2.67	3.10	3.00	2.29	1.07	1.08	0.25	-0.85
338	-3.94	-4.18	-3.79	2.74	3.17	3.05	2.30	1.01	0.98	0.07	-1.04
339	-4.13	-4.52	-4.24	2.82	3.24	3.11	2.33	0.97	0.90	-0.10	-1.25
340	-4.33	-4.86	-4.69	2.89	3.31	3.16	2.37	0.94	0.84	-0.27	-1.48
341	-4.52	-5.20	-5.15	2.97	3.39	3.22	2.41	0.94	0.79	-0.42	-1.72
342	-4.71	-5.54	-5.62	3.05	3.45	3.27	2.47	0.96	0.77	-0.56	-1.97
343	-4.89	-5.87	-6.08	3.12	3.52	3.33	2.53	1.00	0.76	-0.69	-2.21
344	-5.07	-6.19	-6.55	3.20	3.59	3.39	2.61	1.06	0.77	-0.81	-2.45
345	-5.24	-6.50	-7.01	3.28	3.66	3.45	2.69	1.13	0.80	-0.91	-2.67
346	-5.41	-6.80	-7.46	3.35	3.72	3.51	2.78	1.22	0.85	-0.99	-2.88
347	-5.57	-7.08	-7.90	3.43	3.78	3.57	2.87	1.31	0.90	-1.06	-3.06
348	-5.71	-7.33	-8.31	3.50	3.84	3.63	2.97	1.41	0.96	-1.12	-3.23
349	-5.85	-7.56	-8.70	3.56	3.89	3.69	3.06	1.52	1.02	-1.17	-3.37
350	-5.97	-7.77	-9.05	3.62	3.94	3.75	3.15	1.62	1.09	-1.20	-3.49
351	-6.09	-7.94	-9.37	3.67	3.97	3.79	3.23	1.71	1.16	-1.22	-3.60
352	-6.18	-8.09	-9.65	3.71	4.00	3.83	3.30	1.80	1.22	-1.23	-3.70
353	-6.27	-8.21	-9.90	3.74	4.01	3.86	3.36	1.89	1.29	-1.23	-3.78
354	-6.34	-8.29	-10.10	3.75	4.00	3.87	3.40	1.96	1.35	-1.21	-3.85
355	-6.40	-8.34	-10.26	3.75	3.98	3.86	3.43	2.03	1.40	-1.19	-3.91
356	-6.45	-8.36	-10.39	3.73	3.94	3.84	3.44	2.09	1.46	-1.15	-3.96
357	-6.48	-8.35	-10.48	3.69	3.89	3.79	3.44	2.14	1.51	-1.10	-3.99
358	-6.50	-8.31	-10.54	3.64	3.81	3.73	3.42	2.18	1.56	-1.04	-4.00
359	-6.50	-8.23	-10.56	3.57	3.72	3.65	3.39	2.21	1.60	-0.97	-3.98
Vertical											
0	-24.68	-22.45	-20.72	-23.19	-20.85	-18.54	-31.80	-30.43	-26.90	-33.93	-23.22
1	-24.42	-18.28	-19.27	-19.61	-18.05	-23.59	-20.69	-33.61	-29.66	-36.19	-27.23
2	-22.07	-16.15	-19.21	-20.66	-21.05	-24.73	-21.16	-29.55	-34.62	-30.76	-26.43
3	-21.09	-16.64	-20.75	-24.53	-22.54	-23.03	-28.86	-29.89	-27.94	-26.47	-22.72
4	-22.36	-20.16	-23.07	-19.62	-18.93	-25.04	-21.63	-35.49	-25.82	-26.49	-24.51

5	-26.61	-26.26	-22.49	-24.09	-25.22	-26.55	-20.51	-29.65	-28.57	-29.61	-22.85
6	-32.67	-21.96	-19.99	-26.82	-25.46	-30.98	-29.82	-25.97	-31.58	-26.11	-20.34
7	-28.25	-18.64	-18.58	-19.38	-20.25	-29.93	-25.20	-27.02	-25.15	-21.96	-21.05
8	-25.83	-18.30	-18.30	-24.27	-29.24	-29.79	-20.66	-29.77	-22.73	-20.83	-20.11
9	-26.50	-19.75	-18.25	-24.23	-23.36	-34.54	-25.07	-25.18	-23.29	-20.93	-17.55
10	-29.19	-20.81	-17.50	-18.56	-19.52	-23.32	-27.84	-21.75	-22.65	-19.38	-16.38
11	-30.59	-19.60	-16.26	-21.29	-24.83	-22.25	-19.40	-20.24	-19.03	-17.11	-15.36
12	-28.18	-18.08	-15.19	-20.20	-21.04	-24.11	-18.28	-18.57	-16.46	-15.45	-13.98
13	-25.63	-17.33	-14.41	-16.40	-17.26	-19.11	-20.32	-16.33	-15.19	-13.72	-12.62
14	-23.88	-17.10	-13.66	-17.22	-18.64	-16.57	-18.31	-14.43	-14.01	-11.75	-11.05
15	-22.79	-16.68	-12.74	-19.09	-20.03	-16.41	-14.26	-12.92	-12.09	-10.12	-9.48
16	-21.91	-15.53	-11.66	-17.07	-16.32	-15.26	-12.35	-11.30	-10.02	-8.94	-8.23
17	-20.63	-13.88	-10.51	-15.28	-13.85	-13.21	-11.69	-9.53	-8.38	-7.85	-7.11
18	-18.89	-12.30	-9.36	-14.72	-13.36	-12.01	-10.49	-8.05	-7.24	-6.67	-5.83
19	-17.23	-11.05	-8.22	-14.46	-13.32	-11.51	-8.69	-7.17	-6.49	-5.60	-4.55
20	-15.94	-10.12	-7.08	-13.27	-12.21	-10.97	-7.70	-6.94	-6.12	-4.96	-3.72
21	-14.99	-9.32	-5.97	-12.21	-11.60	-10.43	-8.14	-7.35	-6.29	-5.04	-3.75
22	-14.15	-8.50	-4.95	-12.70	-12.75	-10.79	-9.89	-8.40	-7.29	-6.10	-4.89
23	-13.23	-7.62	-4.11	-14.37	-15.22	-12.42	-11.73	-10.06	-9.46	-8.38	-7.28
24	-12.17	-6.76	-3.51	-14.43	-14.79	-13.35	-11.31	-11.77	-12.62	-11.39	-10.29
25	-11.07	-6.07	-3.17	-12.44	-11.53	-11.25	-9.66	-11.63	-12.73	-11.61	-10.44
26	-10.09	-5.63	-3.07	-10.90	-9.45	-8.91	-8.36	-9.44	-9.34	-9.04	-7.98
27	-9.33	-5.46	-3.17	-9.96	-8.37	-7.46	-7.21	-7.33	-6.91	-7.18	-6.33
28	-8.82	-5.53	-3.39	-8.58	-7.12	-6.51	-6.02	-6.06	-5.80	-6.51	-6.07
29	-8.51	-5.69	-3.62	-6.78	-5.71	-5.63	-5.16	-5.56	-5.63	-6.72	-6.87
30	-8.26	-5.79	-3.73	-5.52	-4.93	-4.98	-4.94	-5.49	-5.80	-7.12	-7.58
31	-7.91	-5.72	-3.67	-5.14	-5.00	-5.02	-5.25	-5.45	-5.75	-6.77	-6.89
32	-7.41	-5.51	-3.51	-5.42	-5.58	-5.71	-5.61	-5.31	-5.39	-5.78	-5.77
33	-6.81	-5.28	-3.37	-5.94	-5.92	-6.37	-5.68	-5.30	-5.17	-5.15	-5.48
34	-6.23	-5.14	-3.37	-6.32	-5.76	-6.36	-5.69	-5.63	-5.37	-5.41	-6.21
35	-5.78	-5.13	-3.57	-6.59	-5.88	-6.23	-5.99	-6.13	-5.79	-6.23	-6.93
36	-5.53	-5.22	-3.96	-6.96	-6.78	-6.76	-6.44	-6.27	-5.87	-6.34	-5.93
37	-5.45	-5.38	-4.54	-7.40	-7.96	-7.61	-6.49	-5.84	-5.38	-5.27	-4.07
38	-5.47	-5.58	-5.27	-7.82	-8.35	-7.49	-6.16	-5.31	-4.78	-4.19	-2.82
39	-5.54	-5.85	-6.11	-8.19	-7.91	-6.73	-6.00	-5.14	-4.46	-3.66	-2.24
40	-5.63	-6.24	-7.01	-8.38	-7.54	-6.72	-6.26	-5.31	-4.37	-3.38	-1.82
41	-5.75	-6.79	-7.87	-8.33	-7.63	-7.60	-6.60	-5.39	-4.24	-2.96	-1.33
42	-5.95	-7.49	-8.57	-8.39	-8.04	-8.37	-6.61	-5.16	-3.99	-2.58	-1.08
43	-6.24	-8.23	-8.99	-8.99	-8.55	-8.19	-6.47	-4.95	-3.87	-2.70	-1.39
44	-6.61	-8.83	-9.09	-10.02	-9.05	-8.00	-6.73	-5.17	-4.20	-3.46	-2.16
45	-6.96	-9.11	-8.99	-10.83	-9.72	-8.92	-7.64	-5.90	-5.03	-4.39	-2.83
46	-7.17	-9.09	-8.84	-11.48	-10.95	-11.00	-8.85	-6.80	-6.03	-4.78	-3.00
47	-7.22	-8.92	-8.79	-12.75	-12.80	-12.13	-9.44	-7.30	-6.63	-4.85	-3.04
48	-7.17	-8.76	-8.90	-14.42	-13.38	-11.09	-9.03	-7.29	-6.70	-5.27	-3.31

49	-7.14	-8.72	-9.15	-13.52	-11.50	-10.20	-8.36	-7.16	-6.66	-5.86	-3.44
50	-7.22	-8.77	-9.47	-10.95	-9.88	-9.90	-7.91	-7.06	-6.72	-5.76	-3.13
51	-7.42	-8.85	-9.69	-9.50	-9.40	-9.49	-7.59	-6.89	-6.72	-5.16	-2.87
52	-7.68	-8.90	-9.67	-9.12	-9.28	-8.82	-7.25	-6.67	-6.57	-5.02	-3.03
53	-7.84	-8.88	-9.39	-8.82	-8.69	-8.34	-7.05	-6.57	-6.44	-5.49	-3.23
54	-7.82	-8.81	-8.98	-8.26	-8.12	-8.29	-7.15	-6.64	-6.49	-5.76	-2.90
55	-7.63	-8.70	-8.64	-8.13	-8.33	-8.55	-7.39	-6.61	-6.53	-5.22	-2.32
56	-7.39	-8.56	-8.45	-8.75	-9.19	-8.71	-7.29	-6.28	-6.18	-4.49	-1.95
57	-7.20	-8.38	-8.45	-9.69	-9.43	-8.45	-6.74	-5.79	-5.47	-4.08	-1.68
58	-7.10	-8.14	-8.53	-9.94	-8.65	-7.89	-6.15	-5.39	-4.80	-3.79	-1.23
59	-7.08	-7.89	-8.60	-9.40	-8.10	-7.47	-5.81	-5.11	-4.43	-3.34	-0.82
60	-7.06	-7.65	-8.53	-8.97	-8.20	-7.24	-5.59	-4.88	-4.35	-2.98	-0.83
61	-7.00	-7.47	-8.32	-8.94	-8.16	-6.87	-5.27	-4.73	-4.42	-3.01	-1.19
62	-6.90	-7.38	-8.04	-8.88	-7.50	-6.21	-4.93	-4.75	-4.53	-3.29	-1.41
63	-6.82	-7.39	-7.81	-8.39	-6.85	-5.71	-4.84	-4.96	-4.67	-3.39	-1.25
64	-6.79	-7.49	-7.73	-7.76	-6.72	-5.76	-5.05	-5.18	-4.84	-3.22	-1.08
65	-6.88	-7.68	-7.82	-7.49	-6.91	-6.21	-5.26	-5.20	-4.99	-3.15	-1.23
66	-7.09	-7.96	-8.07	-7.71	-6.89	-6.43	-5.17	-5.09	-5.11	-3.38	-1.63
67	-7.42	-8.31	-8.43	-8.04	-6.59	-6.16	-4.91	-5.03	-5.24	-3.68	-2.02
68	-7.85	-8.71	-8.83	-7.89	-6.37	-5.88	-4.80	-5.11	-5.41	-3.76	-2.29
69	-8.30	-9.12	-9.26	-7.37	-6.34	-5.78	-4.83	-5.13	-5.50	-3.69	-2.53
70	-8.71	-9.50	-9.71	-7.07	-6.17	-5.47	-4.73	-4.88	-5.34	-3.74	-2.83
71	-9.00	-9.87	-10.21	-6.97	-5.60	-4.76	-4.34	-4.46	-4.97	-3.90	-3.22
72	-9.16	-10.23	-10.70	-6.34	-4.80	-4.07	-3.85	-4.16	-4.61	-3.95	-3.66
73	-9.25	-10.55	-11.05	-5.14	-4.10	-3.70	-3.50	-4.07	-4.43	-3.82	-4.04
74	-9.32	-10.72	-11.11	-4.21	-3.63	-3.45	-3.27	-3.98	-4.29	-3.72	-4.26
75	-9.36	-10.61	-10.84	-3.89	-3.29	-3.02	-2.91	-3.62	-3.89	-3.67	-4.33
76	-9.28	-10.21	-10.33	-3.61	-2.83	-2.46	-2.26	-2.96	-3.13	-3.42	-4.30
77	-8.98	-9.62	-9.79	-2.70	-2.12	-1.86	-1.41	-2.20	-2.30	-2.83	-4.13
78	-8.47	-9.01	-9.38	-1.61	-1.29	-1.11	-0.60	-1.52	-1.67	-2.21	-3.92
79	-7.86	-8.49	-9.17	-0.92	-0.52	-0.25	0.03	-0.95	-1.27	-1.87	-3.97
80	-7.32	-8.11	-9.13	-0.52	0.16	0.47	0.46	-0.48	-0.99	-1.81	-4.46
81	-6.95	-7.87	-9.23	0.07	0.75	0.94	0.80	-0.08	-0.69	-1.76	-5.03
82	-6.75	-7.75	-9.41	0.86	1.29	1.35	1.17	0.24	-0.38	-1.53	-5.14
83	-6.67	-7.75	-9.66	1.48	1.77	1.82	1.54	0.52	-0.09	-1.23	-5.13
84	-6.65	-7.86	-10.01	1.82	2.17	2.20	1.86	0.81	0.17	-1.10	-5.67
85	-6.63	-8.07	-10.46	2.15	2.48	2.42	2.15	1.14	0.43	-1.20	-6.61
86	-6.61	-8.33	-10.97	2.60	2.73	2.65	2.47	1.48	0.64	-1.37	-6.74
87	-6.61	-8.58	-11.35	3.00	2.99	3.04	2.82	1.74	0.78	-1.43	-5.95
88	-6.61	-8.69	-11.42	3.22	3.30	3.40	3.09	1.90	0.93	-1.30	-5.27
89	-6.59	-8.58	-11.10	3.37	3.57	3.57	3.26	2.02	1.22	-1.12	-4.75
90	-6.50	-8.23	-10.56	3.57	3.72	3.65	3.39	2.21	1.60	-0.97	-3.98
91	-6.31	-7.78	-10.12	3.76	3.79	3.86	3.55	2.49	1.92	-0.81	-3.20
92	-6.05	-7.40	-9.99	3.85	3.91	4.13	3.69	2.74	2.06	-0.55	-2.88

93	-5.78	-7.26	-10.28	3.90	4.02	4.19	3.76	2.81	2.08	-0.24	-2.94
94	-5.62	-7.46	-10.97	3.95	3.97	4.04	3.74	2.75	2.12	-0.07	-2.96
95	-5.61	-8.00	-11.91	3.91	3.72	3.89	3.68	2.69	2.20	-0.09	-2.88
96	-5.79	-8.79	-12.81	3.71	3.45	3.87	3.58	2.71	2.21	-0.16	-3.10
97	-6.16	-9.59	-13.46	3.43	3.31	3.84	3.42	2.69	2.07	-0.23	-3.86
98	-6.66	-10.14	-14.00	3.14	3.21	3.62	3.19	2.50	1.85	-0.45	-5.03
99	-7.22	-10.35	-14.80	2.86	3.05	3.31	2.97	2.21	1.67	-0.99	-6.35
100	-7.73	-10.47	-16.28	2.63	2.91	3.13	2.79	1.98	1.52	-1.75	-7.70
101	-8.10	-10.79	-18.75	2.51	2.90	3.07	2.56	1.82	1.22	-2.47	-9.43
102	-8.34	-11.44	-21.92	2.37	2.77	2.82	2.10	1.45	0.60	-3.20	-12.85
103	-8.52	-12.31	-22.53	1.90	2.22	2.12	1.30	0.60	-0.40	-4.42	-21.21
104	-8.76	-12.98	-19.79	1.00	1.18	0.99	0.21	-0.70	-1.72	-6.61	-15.06
105	-9.12	-13.06	-17.28	0.01	0.03	-0.17	-0.98	-2.12	-3.28	-9.87	-8.79
106	-9.60	-12.68	-15.54	-0.66	-0.75	-0.97	-2.11	-3.36	-5.14	-13.12	-5.65
107	-10.09	-12.24	-14.25	-1.18	-1.26	-1.73	-3.40	-4.77	-7.57	-12.90	-3.36
108	-10.43	-11.93	-13.14	-2.02	-2.03	-3.09	-5.30	-7.15	-11.12	-9.27	-1.16
109	-10.54	-11.62	-12.10	-3.26	-3.38	-5.40	-8.29	-11.54	-15.66	-5.61	0.69
110	-10.44	-11.17	-11.14	-4.56	-5.27	-8.58	-13.00	-21.23	-13.47	-2.94	1.90
111	-10.28	-10.59	-10.30	-5.83	-7.58	-12.68	-21.35	-22.45	-8.51	-1.11	2.65
112	-10.16	-10.03	-9.56	-7.49	-10.60	-20.08	-19.58	-12.79	-5.13	0.26	3.34
113	-10.14	-9.63	-8.87	-9.95	-15.23	-21.99	-12.01	-7.94	-2.82	1.50	4.01
114	-10.25	-9.40	-8.17	-13.11	-21.28	-13.23	-7.72	-4.69	-1.11	2.58	4.39
115	-10.50	-9.22	-7.48	-16.11	-17.85	-9.30	-4.91	-2.53	0.21	3.32	4.38
116	-10.89	-8.90	-6.86	-17.35	-13.07	-6.61	-2.91	-1.14	1.22	3.68	4.16
117	-11.38	-8.38	-6.39	-15.60	-9.61	-4.28	-1.42	-0.20	1.90	3.81	3.96
118	-11.86	-7.78	-6.10	-12.87	-7.02	-2.49	-0.35	0.54	2.29	3.91	3.62
119	-12.15	-7.26	-5.99	-10.54	-5.23	-1.41	0.34	1.12	2.48	3.93	2.87
120	-12.12	-6.91	-6.01	-8.59	-4.05	-0.82	0.76	1.43	2.57	3.70	1.73
121	-11.80	-6.74	-6.07	-7.01	-3.17	-0.33	1.07	1.46	2.57	3.11	0.62
122	-11.38	-6.69	-6.12	-5.87	-2.41	0.12	1.29	1.33	2.37	2.27	-0.39
123	-11.05	-6.70	-6.10	-5.17	-1.85	0.31	1.26	1.13	1.87	1.38	-1.89
124	-10.91	-6.74	-6.03	-4.74	-1.63	0.12	0.92	0.81	1.10	0.47	-3.92
125	-10.98	-6.80	-5.95	-4.45	-1.73	-0.24	0.40	0.22	0.23	-0.68	-4.59
126	-11.25	-6.90	-5.90	-4.37	-1.98	-0.54	-0.09	-0.71	-0.53	-2.08	-3.30
127	-11.68	-7.03	-5.90	-4.59	-2.30	-0.90	-0.52	-1.76	-1.24	-3.13	-2.25
128	-12.27	-7.15	-5.97	-5.03	-2.77	-1.54	-1.18	-2.51	-2.00	-3.23	-1.78
129	-13.04	-7.24	-6.14	-5.49	-3.37	-2.41	-2.19	-2.88	-2.67	-2.85	-1.04
130	-13.99	-7.30	-6.42	-5.87	-3.89	-3.13	-3.13	-3.23	-2.85	-2.49	0.16
131	-15.04	-7.36	-6.84	-6.25	-4.21	-3.58	-3.42	-3.69	-2.46	-2.02	1.10
132	-16.02	-7.46	-7.39	-6.65	-4.51	-3.99	-3.23	-3.87	-1.98	-1.23	1.45
133	-16.70	-7.63	-8.05	-6.90	-4.96	-4.27	-3.19	-3.41	-1.73	-0.36	1.48
134	-17.00	-7.84	-8.78	-6.87	-5.34	-4.11	-3.37	-2.65	-1.63	0.25	1.55
135	-17.11	-8.11	-9.47	-6.73	-5.28	-3.65	-3.37	-2.16	-1.38	0.50	1.73
136	-17.27	-8.44	-10.04	-6.62	-4.97	-3.37	-3.02	-2.09	-0.94	0.53	1.76

137	-17.59	-8.86	-10.44	-6.53	-4.84	-3.40	-2.65	-2.28	-0.60	0.47	1.44
138	-18.01	-9.41	-10.69	-6.45	-4.96	-3.49	-2.58	-2.41	-0.64	0.32	0.85
139	-18.38	-10.04	-10.85	-6.39	-5.11	-3.47	-2.78	-2.34	-1.09	0.04	0.15
140	-18.60	-10.66	-10.95	-6.40	-5.11	-3.50	-2.99	-2.23	-1.76	-0.37	-0.58
141	-18.72	-11.12	-11.01	-6.46	-5.07	-3.71	-3.08	-2.28	-2.34	-0.81	-1.44
142	-18.87	-11.34	-11.05	-6.55	-5.15	-3.96	-3.12	-2.56	-2.68	-1.25	-2.54
143	-19.12	-11.40	-11.14	-6.72	-5.45	-4.09	-3.30	-3.03	-2.97	-1.80	-3.83
144	-19.43	-11.48	-11.33	-7.00	-5.90	-4.23	-3.71	-3.57	-3.49	-2.64	-5.16
145	-19.65	-11.71	-11.70	-7.42	-6.42	-4.65	-4.31	-4.15	-4.41	-3.83	-6.41
146	-19.67	-12.07	-12.29	-7.98	-6.89	-5.35	-5.03	-4.82	-5.65	-5.21	-7.46
147	-19.57	-12.45	-13.05	-8.73	-7.20	-6.02	-5.74	-5.66	-6.94	-6.41	-8.14
148	-19.49	-12.67	-13.88	-9.71	-7.38	-6.32	-6.30	-6.68	-7.94	-7.01	-8.21
149	-19.52	-12.67	-14.65	-10.82	-7.75	-6.34	-6.65	-7.71	-8.63	-7.05	-7.66
150	-19.66	-12.57	-15.21	-11.78	-8.64	-6.47	-6.88	-8.47	-9.27	-6.95	-6.80
151	-19.83	-12.58	-15.54	-12.37	-10.12	-6.91	-7.14	-8.76	-9.96	-7.06	-5.93
152	-19.93	-12.84	-15.75	-12.62	-11.66	-7.54	-7.52	-8.62	-10.48	-7.35	-5.21
153	-19.98	-13.43	-16.00	-12.80	-12.32	-8.20	-7.87	-8.30	-10.37	-7.50	-4.66
154	-20.14	-14.28	-16.44	-13.04	-11.77	-8.81	-7.91	-8.01	-9.42	-7.18	-4.21
155	-20.60	-15.23	-17.09	-13.22	-10.74	-9.19	-7.63	-7.82	-8.06	-6.37	-3.80
156	-21.47	-16.03	-17.84	-13.18	-9.92	-9.11	-7.17	-7.61	-6.84	-5.39	-3.46
157	-22.75	-16.56	-18.45	-12.99	-9.49	-8.43	-6.67	-7.25	-6.08	-4.58	-3.25
158	-24.18	-16.96	-18.63	-12.60	-9.33	-7.41	-6.16	-6.65	-5.79	-4.09	-3.20
159	-25.00	-17.50	-18.22	-11.87	-9.20	-6.58	-5.67	-5.87	-5.81	-3.90	-3.29
160	-24.38	-18.35	-17.37	-10.90	-8.94	-6.08	-5.19	-5.03	-5.90	-3.89	-3.51
161	-22.83	-19.53	-16.42	-9.98	-8.54	-5.66	-4.77	-4.28	-5.83	-3.97	-3.89
162	-21.34	-20.76	-15.72	-9.31	-8.05	-5.11	-4.49	-3.75	-5.61	-4.14	-4.47
163	-20.34	-21.42	-15.45	-8.83	-7.52	-4.48	-4.32	-3.48	-5.38	-4.54	-5.35
164	-19.89	-21.40	-15.59	-8.37	-6.93	-4.00	-4.14	-3.46	-5.36	-5.32	-6.59
165	-19.85	-21.44	-16.04	-7.82	-6.31	-3.83	-3.83	-3.63	-5.67	-6.58	-8.10
166	-20.05	-22.30	-16.78	-7.22	-5.76	-3.86	-3.44	-3.89	-6.31	-8.29	-9.67
167	-20.29	-24.54	-18.02	-6.70	-5.38	-3.84	-3.14	-4.18	-7.17	-10.31	-11.13
168	-20.32	-29.23	-20.19	-6.34	-5.12	-3.60	-3.07	-4.51	-8.08	-12.55	-12.58
169	-19.92	-37.83	-23.56	-6.07	-4.83	-3.24	-3.23	-4.91	-8.92	-15.33	-13.92
170	-18.95	-28.35	-25.66	-5.81	-4.37	-3.00	-3.51	-5.39	-9.68	-20.03	-13.89
171	-17.60	-22.64	-23.49	-5.47	-3.83	-2.99	-3.79	-5.92	-10.43	-35.86	-11.97
172	-16.17	-19.66	-21.60	-5.01	-3.44	-3.17	-4.00	-6.40	-11.23	-22.76	-9.89
173	-14.91	-18.34	-21.33	-4.54	-3.33	-3.42	-4.20	-6.76	-12.01	-16.38	-8.53
174	-13.89	-18.26	-22.51	-4.18	-3.41	-3.57	-4.43	-7.02	-12.64	-13.63	-7.73
175	-13.06	-18.74	-25.27	-4.03	-3.43	-3.51	-4.70	-7.33	-13.03	-12.39	-7.13
176	-12.33	-18.22	-30.94	-4.12	-3.28	-3.24	-4.93	-7.83	-13.23	-11.83	-6.52
177	-11.65	-16.03	-28.26	-4.24	-3.03	-2.84	-5.11	-8.49	-13.29	-11.38	-5.99
178	-10.99	-13.56	-20.23	-4.09	-2.82	-2.52	-5.30	-9.08	-13.18	-10.92	-5.86
179	-10.35	-11.64	-15.59	-3.52	-2.66	-2.56	-5.52	-9.34	-12.92	-10.69	-6.39
180	-9.76	-10.38	-12.91	-2.78	-2.43	-2.94	-5.64	-9.17	-12.59	-10.97	-7.62



181	-9.28	-9.74	-11.63	-2.23	-2.11	-3.34	-5.56	-8.78	-12.33	-11.81	-9.33
182	-8.95	-9.61	-11.49	-2.07	-1.86	-3.35	-5.33	-8.45	-12.22	-13.03	-11.08
183	-8.74	-9.80	-12.28	-2.17	-1.80	-2.95	-5.13	-8.34	-12.18	-14.25	-12.56
184	-8.52	-10.07	-13.68	-2.25	-1.86	-2.53	-5.12	-8.45	-11.92	-14.59	-13.93
185	-8.15	-10.12	-15.03	-2.10	-1.83	-2.44	-5.30	-8.56	-11.15	-13.63	-16.00
186	-7.58	-9.75	-15.42	-1.77	-1.63	-2.67	-5.50	-8.42	-9.98	-12.37	-19.59
187	-6.91	-8.99	-14.44	-1.48	-1.37	-2.92	-5.54	-7.88	-8.73	-11.40	-21.51
188	-6.26	-8.06	-12.68	-1.34	-1.25	-2.88	-5.32	-7.00	-7.61	-10.44	-16.91
189	-5.71	-7.21	-10.95	-1.31	-1.32	-2.58	-4.96	-6.02	-6.65	-9.01	-12.87
190	-5.29	-6.58	-9.70	-1.29	-1.42	-2.31	-4.59	-5.13	-5.78	-7.18	-10.28
191	-5.00	-6.20	-9.03	-1.23	-1.42	-2.26	-4.27	-4.38	-4.94	-5.37	-8.70
192	-4.81	-5.98	-8.84	-1.15	-1.31	-2.32	-3.93	-3.73	-4.11	-3.95	-7.70
193	-4.65	-5.79	-8.85	-1.05	-1.20	-2.25	-3.47	-3.12	-3.27	-3.03	-6.83
194	-4.46	-5.50	-8.74	-0.91	-1.15	-1.96	-2.91	-2.49	-2.47	-2.52	-5.84
195	-4.22	-5.05	-8.26	-0.72	-1.05	-1.59	-2.34	-1.88	-1.71	-2.21	-4.80
196	-3.93	-4.53	-7.46	-0.53	-0.81	-1.31	-1.88	-1.33	-1.03	-1.92	-3.88
197	-3.65	-4.03	-6.57	-0.41	-0.45	-1.17	-1.58	-0.89	-0.44	-1.57	-3.20
198	-3.42	-3.67	-5.83	-0.35	-0.12	-1.04	-1.34	-0.58	0.00	-1.22	-2.69
199	-3.25	-3.48	-5.36	-0.26	0.10	-0.84	-1.07	-0.39	0.28	-0.94	-2.20
200	-3.14	-3.44	-5.16	-0.08	0.22	-0.61	-0.74	-0.28	0.39	-0.75	-1.70
201	-3.04	-3.50	-5.16	0.16	0.32	-0.42	-0.46	-0.23	0.36	-0.60	-1.27
202	-2.91	-3.55	-5.22	0.36	0.39	-0.28	-0.33	-0.22	0.25	-0.45	-0.97
203	-2.73	-3.54	-5.23	0.46	0.43	-0.12	-0.37	-0.24	0.12	-0.30	-0.81
204	-2.52	-3.45	-5.12	0.52	0.45	0.05	-0.48	-0.28	0.00	-0.26	-0.64
205	-2.30	-3.31	-4.97	0.59	0.53	0.13	-0.58	-0.36	-0.13	-0.38	-0.34
206	-2.12	-3.17	-4.87	0.69	0.68	0.04	-0.61	-0.48	-0.34	-0.65	0.07
207	-2.01	-3.07	-4.90	0.77	0.79	-0.14	-0.62	-0.68	-0.67	-0.95	0.49
208	-1.96	-3.00	-5.07	0.80	0.78	-0.29	-0.68	-0.96	-1.10	-1.12	0.82
209	-1.96	-2.95	-5.33	0.82	0.66	-0.33	-0.80	-1.31	-1.54	-1.09	1.04
210	-1.99	-2.90	-5.57	0.87	0.56	-0.37	-0.98	-1.66	-1.89	-0.90	1.18
211	-2.04	-2.88	-5.70	0.93	0.54	-0.48	-1.16	-1.97	-2.08	-0.68	1.25
212	-2.09	-2.91	-5.72	0.94	0.50	-0.61	-1.34	-2.20	-2.16	-0.54	1.25
213	-2.15	-3.00	-5.69	0.88	0.37	-0.63	-1.50	-2.37	-2.22	-0.53	1.22
214	-2.20	-3.18	-5.69	0.77	0.19	-0.58	-1.66	-2.54	-2.34	-0.64	1.18
215	-2.24	-3.42	-5.81	0.67	0.09	-0.63	-1.79	-2.74	-2.51	-0.78	1.17
216	-2.27	-3.66	-6.05	0.61	0.08	-0.85	-1.86	-2.96	-2.66	-0.85	1.16
217	-2.29	-3.86	-6.38	0.59	0.07	-1.10	-1.84	-3.15	-2.69	-0.76	1.16
218	-2.33	-4.00	-6.73	0.62	-0.01	-1.14	-1.73	-3.23	-2.61	-0.53	1.20
219	-2.40	-4.09	-7.02	0.68	-0.11	-0.95	-1.59	-3.20	-2.51	-0.22	1.32
220	-2.50	-4.20	-7.16	0.73	-0.13	-0.75	-1.51	-3.08	-2.47	0.08	1.49
221	-2.61	-4.37	-7.17	0.74	-0.06	-0.72	-1.53	-2.97	-2.49	0.32	1.61
222	-2.69	-4.61	-7.07	0.77	-0.01	-0.80	-1.61	-2.92	-2.45	0.54	1.63
223	-2.69	-4.89	-6.94	0.82	0.00	-0.82	-1.67	-2.96	-2.21	0.75	1.62
224	-2.61	-5.14	-6.85	0.84	0.03	-0.75	-1.70	-3.03	-1.74	0.94	1.69

225	-2.50	-5.29	-6.82	0.77	0.06	-0.75	-1.74	-3.04	-1.21	1.10	1.86
226	-2.41	-5.28	-6.86	0.60	-0.01	-0.91	-1.90	-2.94	-0.77	1.22	2.01
227	-2.40	-5.13	-6.90	0.46	-0.26	-1.12	-2.15	-2.72	-0.51	1.39	2.02
228	-2.48	-4.89	-6.82	0.42	-0.57	-1.31	-2.40	-2.46	-0.34	1.65	1.95
229	-2.61	-4.62	-6.51	0.41	-0.75	-1.54	-2.57	-2.21	-0.12	1.97	1.95
230	-2.71	-4.36	-5.92	0.30	-0.78	-1.93	-2.72	-1.98	0.26	2.25	2.12
231	-2.73	-4.11	-5.13	0.13	-0.84	-2.40	-2.93	-1.72	0.74	2.43	2.36
232	-2.65	-3.86	-4.28	0.00	-1.01	-2.72	-3.18	-1.40	1.19	2.56	2.58
233	-2.51	-3.60	-3.49	-0.09	-1.25	-2.86	-3.36	-1.02	1.54	2.75	2.78
234	-2.39	-3.32	-2.87	-0.31	-1.52	-3.02	-3.34	-0.67	1.79	3.06	3.04
235	-2.34	-3.05	-2.44	-0.77	-1.84	-3.34	-3.21	-0.40	2.01	3.40	3.38
236	-2.34	-2.79	-2.15	-1.30	-2.19	-3.65	-3.15	-0.23	2.22	3.69	3.74
237	-2.34	-2.55	-1.92	-1.70	-2.49	-3.76	-3.18	-0.11	2.38	3.85	4.09
238	-2.25	-2.32	-1.67	-1.97	-2.72	-3.78	-3.15	-0.01	2.44	3.93	4.44
239	-2.04	-2.07	-1.32	-2.35	-3.08	-3.95	-2.99	0.04	2.38	3.93	4.79
240	-1.75	-1.76	-0.90	-2.98	-3.67	-4.25	-2.83	-0.01	2.24	3.85	5.05
241	-1.44	-1.38	-0.46	-3.76	-4.34	-4.46	-2.87	-0.16	2.05	3.65	5.14
242	-1.19	-0.96	-0.06	-4.53	-4.83	-4.57	-3.12	-0.37	1.82	3.37	5.11
243	-1.01	-0.55	0.27	-5.23	-5.17	-4.83	-3.37	-0.62	1.50	3.05	5.04
244	-0.86	-0.20	0.54	-5.82	-5.71	-5.41	-3.54	-0.94	1.05	2.71	4.93
245	-0.68	0.07	0.80	-6.23	-6.56	-6.08	-3.80	-1.43	0.48	2.29	4.71
246	-0.44	0.28	1.07	-6.46	-7.41	-6.58	-4.39	-2.16	-0.27	1.67	4.35
247	-0.17	0.46	1.35	-6.78	-7.98	-7.19	-5.29	-3.06	-1.26	0.72	3.90
248	0.10	0.66	1.60	-7.38	-8.65	-8.40	-6.37	-4.07	-2.58	-0.53	3.35
249	0.33	0.92	1.80	-8.04	-9.82	-10.25	-7.55	-5.24	-4.24	-1.99	2.58
250	0.55	1.22	1.95	-8.23	-11.24	-12.11	-9.03	-6.88	-6.21	-3.58	1.54
251	0.82	1.57	2.11	-7.82	-12.22	-13.72	-11.16	-9.40	-8.67	-5.64	0.23
252	1.15	1.92	2.33	-7.35	-12.74	-16.03	-14.39	-13.37	-12.34	-9.23	-1.45
253	1.52	2.24	2.60	-7.23	-13.49	-18.64	-19.46	-19.93	-18.72	-17.73	-3.73
254	1.84	2.52	2.88	-7.29	-14.56	-18.08	-21.54	-25.44	-17.47	-19.67	-6.48
255	2.04	2.72	3.11	-6.99	-14.88	-15.44	-15.98	-16.98	-11.01	-10.77	-8.32
256	2.10	2.86	3.22	-6.21	-13.51	-12.26	-11.99	-11.51	-7.14	-7.00	-8.04
257	2.06	2.94	3.21	-5.35	-11.33	-9.26	-9.03	-7.86	-4.48	-4.07	-5.85
258	2.02	3.00	3.13	-4.72	-9.67	-7.15	-6.61	-5.35	-2.46	-1.46	-2.85
259	2.05	3.08	3.06	-4.26	-8.78	-5.93	-4.83	-3.62	-0.95	0.41	-0.44
260	2.19	3.18	3.05	-3.78	-8.09	-5.18	-3.78	-2.39	0.11	1.42	1.02
261	2.37	3.28	3.12	-3.24	-7.14	-4.47	-3.15	-1.45	0.85	1.89	1.92
262	2.54	3.38	3.23	-2.73	-6.26	-3.73	-2.41	-0.66	1.48	2.39	2.76
263	2.68	3.46	3.36	-2.29	-5.70	-3.04	-1.38	0.01	2.15	3.21	3.65
264	2.80	3.57	3.49	-1.96	-5.18	-2.39	-0.45	0.61	2.80	4.06	4.35
265	2.95	3.74	3.64	-1.77	-4.38	-1.84	0.08	1.17	3.33	4.62	4.78
266	3.12	4.00	3.83	-1.57	-3.59	-1.53	0.37	1.67	3.72	4.97	5.15
267	3.28	4.29	4.06	-1.13	-3.10	-1.40	0.72	2.07	4.01	5.28	5.60
268	3.38	4.56	4.29	-0.55	-2.76	-1.24	1.06	2.36	4.24	5.59	5.97

269	3.41	4.73	4.47	-0.14	-2.41	-1.09	1.12	2.52	4.38	5.75	6.13
270	3.40	4.80	4.58	0.01	-2.20	-1.19	0.88	2.56	4.36	5.71	6.11
271	3.41	4.79	4.63	0.16	-2.17	-1.48	0.61	2.48	4.21	5.56	6.06
272	3.47	4.77	4.63	0.38	-2.06	-1.63	0.40	2.27	3.96	5.34	5.99
273	3.53	4.76	4.61	0.44	-1.86	-1.68	0.03	1.93	3.67	4.95	5.78
274	3.54	4.74	4.56	0.28	-1.92	-2.09	-0.57	1.50	3.29	4.31	5.35
275	3.45	4.66	4.48	0.16	-2.27	-2.88	-1.17	0.96	2.79	3.54	4.75
276	3.27	4.49	4.33	0.16	-2.55	-3.57	-1.64	0.30	2.17	2.86	4.07
277	3.07	4.26	4.14	0.00	-2.73	-4.01	-2.32	-0.50	1.47	2.29	3.36
278	2.93	4.02	3.91	-0.44	-3.17	-4.74	-3.52	-1.44	0.69	1.63	2.59
279	2.87	3.87	3.69	-0.75	-3.76	-5.85	-4.97	-2.48	-0.20	0.84	1.73
280	2.85	3.83	3.52	-0.80	-3.97	-6.55	-6.07	-3.57	-1.20	0.02	0.84
281	2.81	3.85	3.43	-1.08	-4.00	-6.85	-7.03	-4.68	-2.19	-0.73	-0.05
282	2.71	3.84	3.41	-1.76	-4.50	-7.83	-8.72	-5.84	-3.10	-1.48	-0.89
283	2.57	3.74	3.44	-2.11	-5.04	-9.10	-11.28	-7.23	-4.09	-2.26	-1.49
284	2.43	3.54	3.47	-1.72	-4.63	-8.52	-13.30	-9.12	-5.44	-2.91	-1.64
285	2.33	3.27	3.43	-1.68	-4.15	-7.44	-13.56	-11.63	-7.19	-3.44	-1.51
286	2.21	2.98	3.25	-2.53	-4.50	-7.36	-12.35	-14.04	-8.86	-4.08	-1.33
287	2.02	2.69	2.91	-3.26	-4.75	-7.14	-10.02	-14.15	-9.76	-4.76	-1.00
288	1.73	2.39	2.43	-3.02	-4.06	-5.79	-8.06	-12.34	-9.82	-5.12	-0.50
289	1.38	2.05	1.89	-2.92	-3.64	-4.67	-7.03	-10.44	-9.27	-5.04	-0.14
290	1.06	1.69	1.43	-3.23	-3.76	-4.24	-6.26	-8.86	-8.32	-4.78	-0.11
291	0.82	1.31	1.11	-2.77	-3.01	-3.54	-5.24	-7.69	-7.36	-4.43	-0.16
292	0.62	0.92	0.88	-1.74	-1.45	-2.29	-4.30	-6.87	-6.72	-3.97	-0.01
293	0.34	0.45	0.58	-1.38	-0.62	-1.44	-3.68	-6.19	-6.32	-3.57	0.19
294	-0.08	-0.17	0.05	-1.51	-0.65	-1.15	-2.96	-5.38	-5.86	-3.32	0.20
295	-0.56	-0.91	-0.76	-0.81	-0.30	-0.70	-1.88	-4.49	-5.29	-3.12	0.20
296	-0.86	-1.57	-1.76	0.30	0.69	0.10	-0.90	-3.76	-4.87	-2.90	0.44
297	-0.79	-1.86	-2.63	0.50	1.11	0.60	-0.43	-3.34	-4.70	-2.85	0.67
298	-0.49	-1.71	-2.96	-0.03	0.67	0.61	-0.24	-3.09	-4.57	-3.14	0.54
299	-0.31	-1.46	-2.82	0.26	0.58	0.82	0.19	-2.77	-4.23	-3.55	0.15
300	-0.55	-1.52	-2.71	1.54	1.57	1.61	0.80	-2.39	-3.82	-3.71	0.02
301	-1.31	-2.15	-3.09	2.18	2.33	2.21	1.05	-2.11	-3.74	-3.71	0.22
302	-2.34	-3.40	-4.23	1.74	2.12	2.08	0.87	-1.98	-4.08	-4.04	0.21
303	-2.88	-4.80	-6.16	1.42	1.74	1.79	0.85	-1.72	-4.35	-4.91	-0.29
304	-2.27	-5.10	-8.45	2.40	2.43	2.19	1.39	-1.17	-3.93	-5.79	-1.06
305	-1.07	-3.93	-9.37	3.18	3.22	2.79	1.96	-0.65	-3.16	-5.72	-1.78
306	-0.17	-2.61	-8.22	2.59	2.84	2.62	1.88	-0.65	-2.85	-5.04	-2.52
307	0.05	-2.00	-6.87	0.83	1.27	1.44	0.96	-1.40	-3.38	-4.84	-3.43
308	-0.59	-2.34	-6.37	0.21	0.24	0.26	-0.11	-2.62	-4.53	-5.38	-4.10
309	-2.19	-3.79	-7.02	2.17	1.70	1.01	0.13	-3.08	-5.32	-5.99	-3.93
310	-4.81	-6.70	-9.17	4.05	3.53	2.63	1.39	-2.13	-4.85	-5.86	-3.44
311	-7.37	-11.34	-13.90	4.73	4.29	3.43	2.24	-1.05	-4.02	-5.43	-3.41
312	-6.65	-12.45	-29.11	4.11	3.84	3.03	2.08	-0.95	-4.02	-5.70	-4.11

313	-4.11	-8.09	-18.17	2.00	2.03	1.28	0.58	-2.40	-5.52	-7.32	-5.68
314	-2.23	-5.19	-12.00	-2.69	-1.99	-2.55	-3.12	-6.33	-9.48	-11.23	-8.71
315	-1.25	-3.72	-9.40	-14.19	-11.60	-10.84	-10.63	-13.78	-16.85	-20.39	-14.62
316	-0.95	-3.19	-8.21	-3.20	-4.16	-4.78	-5.08	-8.18	-11.50	-15.45	-13.56
317	-1.14	-3.21	-7.70	2.28	1.77	0.98	0.00	-3.66	-7.16	-10.01	-7.82
318	-1.63	-3.54	-7.54	4.12	3.70	2.91	1.56	-2.30	-6.02	-8.52	-5.87
319	-2.29	-4.00	-7.56	3.19	2.68	2.03	0.51	-3.19	-7.24	-9.63	-6.88
320	-3.07	-4.60	-7.76	-1.12	-1.96	-2.07	-3.45	-6.41	-11.02	-13.61	-11.15
321	-4.03	-5.47	-8.24	-12.82	-16.06	-12.45	-12.65	-13.07	-19.23	-22.04	-20.05
322	-5.23	-6.66	-8.93	-11.84	-11.72	-13.10	-15.60	-18.87	-29.48	-21.31	-20.58
323	-6.69	-7.94	-9.53	-8.25	-8.03	-9.34	-11.12	-14.25	-22.69	-18.41	-18.68
324	-8.23	-8.77	-9.63	-8.46	-7.46	-9.79	-11.28	-13.56	-23.55	-20.77	-19.71
325	-9.75	-9.12	-9.45	-9.88	-8.43	-10.76	-11.99	-14.49	-20.13	-28.72	-20.77
326	-11.33	-9.67	-9.55	-14.42	-12.84	-13.35	-12.86	-14.02	-16.24	-21.88	-20.44
327	-12.61	-10.74	-10.07	-13.41	-13.64	-17.16	-14.50	-12.65	-14.77	-17.10	-20.30
328	-12.11	-11.29	-10.43	-8.85	-9.38	-12.79	-12.98	-11.58	-14.20	-14.92	-21.99
329	-10.04	-10.15	-9.82	-7.08	-7.86	-8.96	-9.72	-10.59	-12.82	-13.37	-20.99
330	-8.05	-8.34	-8.50	-6.02	-7.21	-7.20	-8.05	-9.88	-11.23	-11.76	-17.78
331	-6.42	-6.65	-7.08	-3.97	-5.07	-5.97	-7.80	-10.16	-10.64	-10.38	-13.39
332	-4.92	-4.99	-5.67	-1.84	-2.55	-4.42	-7.75	-11.87	-11.45	-9.57	-9.00
333	-3.54	-3.42	-4.30	-1.19	-1.75	-3.59	-7.25	-14.89	-13.67	-9.51	-6.71
334	-2.58	-2.31	-3.17	-2.16	-2.72	-4.20	-7.27	-17.42	-17.08	-10.23	-6.67
335	-2.27	-1.90	-2.55	-3.73	-4.20	-5.80	-8.39	-17.78	-20.63	-11.64	-8.39
336	-2.73	-2.29	-2.59	-5.63	-5.91	-7.67	-10.35	-18.29	-22.12	-13.44	-10.61
337	-3.94	-3.41	-3.32	-9.00	-9.01	-10.06	-12.93	-19.68	-21.03	-14.97	-11.86
338	-5.79	-5.11	-4.67	-10.13	-9.61	-10.52	-14.34	-20.21	-19.36	-15.68	-11.68
339	-8.05	-7.11	-6.45	-8.46	-8.12	-8.95	-12.14	-19.35	-18.35	-15.86	-10.94
340	-10.32	-8.96	-8.25	-8.55	-8.51	-9.26	-10.89	-18.67	-18.14	-16.15	-11.35
341	-11.87	-10.11	-9.55	-9.29	-9.43	-11.20	-12.08	-18.80	-18.45	-16.94	-12.99
342	-12.22	-10.45	-10.06	-11.33	-11.42	-13.10	-14.74	-19.83	-19.09	-18.37	-14.31
343	-12.00	-10.56	-10.05	-18.11	-17.33	-16.10	-17.01	-21.87	-20.34	-19.99	-15.50
344	-12.03	-10.87	-10.05	-25.78	-23.24	-20.12	-20.31	-24.84	-22.65	-20.56	-18.68
345	-12.43	-11.31	-10.40	-22.68	-23.09	-21.26	-24.35	-27.89	-25.85	-20.55	-25.01
346	-12.86	-11.67	-11.11	-17.98	-17.87	-21.93	-24.40	-29.26	-27.77	-21.96	-27.59
347	-13.24	-12.17	-11.88	-14.51	-14.95	-17.70	-25.51	-29.59	-27.94	-25.86	-23.31
348	-14.01	-13.29	-12.41	-16.72	-18.35	-17.13	-21.15	-31.12	-29.43	-28.18	-23.63
349	-15.56	-15.23	-12.91	-18.58	-20.11	-21.63	-19.46	-34.33	-34.10	-26.00	-32.21
350	-17.64	-17.36	-13.85	-16.17	-17.03	-19.64	-23.04	-33.26	-37.69	-27.14	-27.78
351	-19.02	-18.18	-15.50	-20.83	-23.00	-18.82	-23.17	-30.92	-33.31	-32.75	-25.30
352	-19.34	-18.09	-17.53	-22.99	-24.61	-28.33	-20.21	-32.28	-33.28	-30.39	-37.37
353	-20.11	-18.93	-18.80	-18.72	-20.27	-23.07	-23.26	-34.92	-41.42	-28.16	-26.86
354	-22.25	-21.57	-18.89	-26.93	-31.66	-20.72	-23.13	-30.44	-36.45	-32.42	-24.37
355	-25.17	-23.94	-18.89	-22.15	-22.70	-30.89	-19.35	-28.65	-29.28	-42.54	-35.58
356	-24.97	-21.09	-19.58	-19.84	-22.43	-24.15	-22.30	-32.03	-28.00	-30.60	-25.27

357	-22.70	-18.75	-21.06	-26.39	-26.06	-22.30	-39.24	-38.47	-31.26	-30.21	-22.30
358	-21.77	-18.98	-22.73	-18.27	-17.96	-24.30	-23.27	-29.53	-35.86	-38.03	-29.64
359	-22.66	-21.79	-22.62	-17.72	-18.57	-19.01	-25.65	-27.55	-28.96	-39.23	-28.66

Port 2:

Angle	FREQUENCY										
	2400	2450	2500	5150	5250	5350	5450	5550	5650	5750	5850
	Horizontal										
0	1.19	2.10	1.44	5.48	4.36	3.34	2.68	2.48	2.29	0.49	-3.99
1	1.24	2.13	1.45	5.46	4.41	3.43	2.78	2.45	2.24	0.50	-3.84
2	1.28	2.15	1.46	5.40	4.45	3.50	2.88	2.43	2.18	0.48	-3.66
3	1.31	2.17	1.46	5.31	4.46	3.55	2.96	2.42	2.12	0.46	-3.48
4	1.35	2.19	1.45	5.19	4.43	3.58	3.04	2.42	2.06	0.42	-3.30
5	1.38	2.21	1.44	5.03	4.38	3.58	3.10	2.42	2.00	0.38	-3.12
6	1.41	2.22	1.43	4.84	4.30	3.56	3.14	2.42	1.95	0.34	-2.97
7	1.43	2.23	1.42	4.61	4.17	3.50	3.14	2.41	1.89	0.31	-2.83
8	1.45	2.24	1.40	4.34	4.01	3.40	3.12	2.40	1.84	0.27	-2.71
9	1.47	2.26	1.39	4.03	3.82	3.27	3.07	2.37	1.80	0.24	-2.61
10	1.48	2.27	1.37	3.69	3.58	3.11	2.98	2.33	1.76	0.22	-2.53
11	1.49	2.28	1.36	3.32	3.32	2.91	2.87	2.27	1.72	0.20	-2.46
12	1.50	2.29	1.35	2.92	3.02	2.68	2.72	2.20	1.68	0.18	-2.41
13	1.51	2.31	1.34	2.51	2.70	2.43	2.54	2.10	1.63	0.16	-2.36
14	1.51	2.32	1.34	2.08	2.36	2.15	2.33	1.99	1.57	0.14	-2.31
15	1.51	2.34	1.34	1.67	2.03	1.86	2.10	1.85	1.49	0.11	-2.26
16	1.51	2.35	1.34	1.29	1.71	1.57	1.86	1.70	1.40	0.06	-2.21
17	1.50	2.37	1.35	0.96	1.42	1.30	1.61	1.53	1.29	0.01	-2.17
18	1.49	2.39	1.36	0.71	1.19	1.06	1.36	1.35	1.16	-0.05	-2.12
19	1.48	2.41	1.38	0.57	1.03	0.88	1.14	1.16	1.01	-0.12	-2.07
20	1.47	2.43	1.41	0.54	0.95	0.77	0.96	0.97	0.85	-0.20	-2.04
21	1.45	2.45	1.44	0.64	0.97	0.74	0.83	0.80	0.69	-0.28	-2.01
22	1.43	2.47	1.47	0.84	1.08	0.79	0.77	0.67	0.54	-0.36	-2.00
23	1.40	2.49	1.51	1.14	1.28	0.94	0.80	0.57	0.40	-0.44	-1.99
24	1.38	2.51	1.55	1.49	1.53	1.17	0.92	0.54	0.30	-0.50	-1.99
25	1.35	2.52	1.59	1.88	1.84	1.45	1.11	0.57	0.23	-0.55	-1.99
26	1.31	2.53	1.64	2.28	2.17	1.78	1.38	0.68	0.22	-0.59	-1.99
27	1.27	2.54	1.68	2.68	2.52	2.14	1.70	0.86	0.26	-0.60	-2.00
28	1.23	2.55	1.73	3.07	2.86	2.52	2.06	1.11	0.36	-0.60	-2.00
29	1.19	2.55	1.77	3.42	3.20	2.89	2.44	1.40	0.50	-0.59	-2.00
30	1.14	2.55	1.81	3.75	3.52	3.25	2.82	1.72	0.67	-0.55	-1.99
31	1.09	2.54	1.85	4.05	3.82	3.60	3.19	2.06	0.88	-0.50	-2.00
32	1.03	2.52	1.88	4.30	4.09	3.92	3.54	2.41	1.10	-0.43	-2.01
33	0.97	2.50	1.90	4.52	4.34	4.21	3.87	2.74	1.34	-0.35	-2.04
34	0.91	2.47	1.92	4.70	4.55	4.47	4.17	3.06	1.57	-0.26	-2.08

35	0.84	2.43	1.93	4.84	4.72	4.69	4.43	3.35	1.81	-0.15	-2.15
36	0.77	2.39	1.93	4.94	4.86	4.88	4.66	3.61	2.04	-0.04	-2.23
37	0.69	2.33	1.92	4.99	4.96	5.03	4.86	3.85	2.26	0.09	-2.33
38	0.61	2.27	1.90	5.01	5.03	5.14	5.01	4.05	2.47	0.23	-2.43
39	0.53	2.20	1.86	4.99	5.05	5.21	5.13	4.21	2.65	0.38	-2.54
40	0.44	2.12	1.82	4.93	5.04	5.24	5.21	4.34	2.82	0.52	-2.63
41	0.34	2.02	1.76	4.84	4.99	5.23	5.25	4.44	2.97	0.66	-2.69
42	0.24	1.92	1.69	4.71	4.91	5.18	5.26	4.50	3.09	0.80	-2.72
43	0.14	1.81	1.60	4.56	4.79	5.09	5.23	4.53	3.19	0.93	-2.71
44	0.03	1.69	1.50	4.38	4.65	4.96	5.16	4.52	3.25	1.04	-2.66
45	-0.08	1.55	1.38	4.17	4.48	4.81	5.06	4.49	3.28	1.14	-2.56
46	-0.20	1.41	1.25	3.95	4.29	4.63	4.93	4.43	3.28	1.22	-2.43
47	-0.33	1.25	1.11	3.73	4.08	4.42	4.77	4.34	3.26	1.28	-2.26
48	-0.46	1.09	0.95	3.50	3.87	4.20	4.58	4.22	3.20	1.33	-2.07
49	-0.59	0.91	0.77	3.27	3.65	3.96	4.37	4.08	3.13	1.36	-1.86
50	-0.74	0.72	0.58	3.05	3.43	3.72	4.14	3.93	3.03	1.39	-1.64
51	-0.88	0.52	0.37	2.84	3.22	3.48	3.90	3.76	2.92	1.40	-1.41
52	-1.04	0.31	0.14	2.65	3.02	3.24	3.65	3.57	2.79	1.40	-1.18
53	-1.20	0.10	-0.10	2.47	2.84	3.02	3.40	3.37	2.65	1.39	-0.95
54	-1.36	-0.13	-0.36	2.32	2.67	2.81	3.14	3.16	2.51	1.38	-0.74
55	-1.54	-0.37	-0.64	2.18	2.52	2.62	2.89	2.94	2.36	1.34	-0.55
56	-1.71	-0.62	-0.93	2.06	2.39	2.44	2.64	2.71	2.20	1.30	-0.38
57	-1.90	-0.88	-1.24	1.96	2.28	2.29	2.41	2.48	2.04	1.23	-0.24
58	-2.09	-1.15	-1.56	1.87	2.19	2.16	2.19	2.24	1.86	1.13	-0.14
59	-2.28	-1.42	-1.90	1.81	2.12	2.06	1.99	1.99	1.68	1.01	-0.09
60	-2.49	-1.70	-2.26	1.77	2.08	1.99	1.83	1.75	1.48	0.86	-0.08
61	-2.69	-1.99	-2.64	1.75	2.06	1.96	1.69	1.51	1.28	0.69	-0.12
62	-2.90	-2.29	-3.02	1.76	2.07	1.95	1.59	1.28	1.08	0.48	-0.20
63	-3.12	-2.59	-3.43	1.79	2.11	1.99	1.53	1.07	0.88	0.25	-0.32
64	-3.34	-2.90	-3.85	1.86	2.18	2.05	1.51	0.89	0.68	0.01	-0.49
65	-3.57	-3.21	-4.28	1.94	2.28	2.15	1.54	0.75	0.50	-0.24	-0.68
66	-3.79	-3.53	-4.73	2.05	2.40	2.27	1.60	0.64	0.34	-0.49	-0.91
67	-4.02	-3.84	-5.19	2.18	2.53	2.41	1.69	0.57	0.20	-0.72	-1.15
68	-4.25	-4.16	-5.66	2.32	2.68	2.56	1.80	0.55	0.10	-0.94	-1.41
69	-4.48	-4.47	-6.14	2.47	2.83	2.72	1.94	0.56	0.03	-1.12	-1.66
70	-4.71	-4.79	-6.63	2.62	2.99	2.89	2.08	0.61	0.00	-1.26	-1.91
71	-4.94	-5.09	-7.12	2.78	3.14	3.05	2.23	0.69	0.00	-1.37	-2.15
72	-5.16	-5.39	-7.61	2.93	3.29	3.20	2.38	0.79	0.02	-1.44	-2.35
73	-5.38	-5.68	-8.11	3.06	3.43	3.34	2.53	0.91	0.08	-1.47	-2.53
74	-5.59	-5.96	-8.59	3.19	3.55	3.46	2.66	1.04	0.14	-1.47	-2.68
75	-5.80	-6.23	-9.06	3.30	3.65	3.56	2.78	1.17	0.22	-1.46	-2.79
76	-5.99	-6.48	-9.52	3.38	3.73	3.65	2.89	1.30	0.30	-1.43	-2.89
77	-6.17	-6.72	-9.95	3.44	3.79	3.71	2.98	1.42	0.38	-1.39	-2.97
78	-6.34	-6.93	-10.35	3.48	3.82	3.75	3.05	1.53	0.46	-1.37	-3.05

79	-6.50	-7.13	-10.72	3.48	3.84	3.77	3.10	1.63	0.52	-1.36	-3.15
80	-6.64	-7.30	-11.04	3.47	3.83	3.76	3.13	1.71	0.57	-1.36	-3.26
81	-6.77	-7.45	-11.32	3.43	3.80	3.74	3.15	1.78	0.62	-1.37	-3.40
82	-6.88	-7.57	-11.55	3.38	3.77	3.71	3.17	1.84	0.66	-1.40	-3.57
83	-6.97	-7.67	-11.73	3.31	3.73	3.68	3.18	1.91	0.71	-1.42	-3.75
84	-7.05	-7.74	-11.85	3.25	3.68	3.64	3.19	1.98	0.78	-1.42	-3.93
85	-7.10	-7.78	-11.92	3.18	3.65	3.61	3.22	2.06	0.87	-1.39	-4.08
86	-7.14	-7.79	-11.94	3.13	3.62	3.59	3.26	2.17	0.98	-1.33	-4.19
87	-7.16	-7.78	-11.90	3.08	3.60	3.58	3.32	2.29	1.12	-1.22	-4.24
88	-7.17	-7.74	-11.81	3.05	3.58	3.57	3.39	2.42	1.28	-1.07	-4.22
89	-7.15	-7.68	-11.68	3.02	3.57	3.57	3.46	2.57	1.46	-0.90	-4.14
90	-7.12	-7.59	-11.50	2.98	3.55	3.56	3.53	2.71	1.63	-0.72	-4.00
91	-7.08	-7.47	-11.27	2.94	3.51	3.54	3.58	2.84	1.80	-0.54	-3.83
92	-7.01	-7.34	-11.00	2.89	3.45	3.50	3.61	2.95	1.93	-0.39	-3.65
93	-6.93	-7.18	-10.70	2.81	3.37	3.43	3.61	3.02	2.04	-0.27	-3.47
94	-6.84	-7.00	-10.36	2.70	3.24	3.32	3.57	3.05	2.10	-0.19	-3.29
95	-6.73	-6.80	-9.99	2.55	3.08	3.18	3.49	3.04	2.11	-0.15	-3.13
96	-6.61	-6.58	-9.59	2.37	2.88	2.99	3.36	2.98	2.08	-0.15	-2.98
97	-6.48	-6.34	-9.17	2.15	2.63	2.76	3.19	2.87	2.00	-0.19	-2.83
98	-6.33	-6.10	-8.74	1.90	2.34	2.49	2.97	2.72	1.88	-0.26	-2.68
99	-6.18	-5.84	-8.29	1.62	2.02	2.18	2.71	2.53	1.71	-0.36	-2.53
100	-6.01	-5.57	-7.83	1.32	1.68	1.84	2.42	2.30	1.52	-0.46	-2.36
101	-5.84	-5.29	-7.37	1.02	1.31	1.48	2.10	2.05	1.30	-0.57	-2.18
102	-5.65	-5.00	-6.90	0.71	0.93	1.11	1.77	1.78	1.06	-0.69	-1.99
103	-5.46	-4.71	-6.44	0.42	0.56	0.73	1.43	1.49	0.81	-0.80	-1.79
104	-5.27	-4.42	-5.98	0.14	0.19	0.36	1.08	1.19	0.55	-0.90	-1.59
105	-5.07	-4.12	-5.53	-0.12	-0.16	-0.01	0.74	0.89	0.29	-1.00	-1.40
106	-4.86	-3.83	-5.08	-0.36	-0.48	-0.36	0.40	0.58	0.02	-1.11	-1.22
107	-4.65	-3.53	-4.65	-0.58	-0.78	-0.69	0.07	0.26	-0.26	-1.21	-1.05
108	-4.44	-3.24	-4.23	-0.79	-1.06	-1.01	-0.25	-0.07	-0.55	-1.32	-0.91
109	-4.23	-2.95	-3.82	-0.98	-1.32	-1.31	-0.58	-0.42	-0.86	-1.44	-0.79
110	-4.02	-2.67	-3.42	-1.17	-1.57	-1.61	-0.92	-0.80	-1.18	-1.56	-0.70
111	-3.81	-2.39	-3.04	-1.37	-1.81	-1.90	-1.27	-1.21	-1.53	-1.71	-0.65
112	-3.60	-2.12	-2.67	-1.58	-2.05	-2.19	-1.65	-1.66	-1.90	-1.86	-0.64
113	-3.39	-1.85	-2.31	-1.80	-2.30	-2.50	-2.05	-2.16	-2.28	-2.02	-0.66
114	-3.19	-1.59	-1.97	-2.05	-2.56	-2.81	-2.49	-2.70	-2.69	-2.19	-0.72
115	-2.99	-1.34	-1.65	-2.30	-2.84	-3.14	-2.97	-3.30	-3.10	-2.36	-0.82
116	-2.79	-1.10	-1.34	-2.58	-3.13	-3.49	-3.49	-3.94	-3.51	-2.52	-0.95
117	-2.59	-0.86	-1.04	-2.88	-3.44	-3.85	-4.05	-4.61	-3.88	-2.66	-1.12
118	-2.40	-0.63	-0.76	-3.19	-3.76	-4.23	-4.64	-5.29	-4.20	-2.78	-1.32
119	-2.22	-0.41	-0.49	-3.50	-4.09	-4.61	-5.26	-5.93	-4.43	-2.87	-1.55
120	-2.04	-0.20	-0.23	-3.82	-4.43	-4.99	-5.90	-6.50	-4.55	-2.90	-1.81
121	-1.86	0.00	0.01	-4.13	-4.75	-5.35	-6.52	-6.92	-4.54	-2.89	-2.09
122	-1.69	0.19	0.23	-4.41	-5.04	-5.69	-7.10	-7.14	-4.40	-2.83	-2.39

123	-1.53	0.38	0.45	-4.67	-5.30	-5.98	-7.59	-7.11	-4.13	-2.71	-2.69
124	-1.37	0.55	0.65	-4.87	-5.50	-6.21	-7.95	-6.85	-3.77	-2.55	-2.98
125	-1.22	0.72	0.84	-5.01	-5.62	-6.36	-8.13	-6.39	-3.34	-2.36	-3.26
126	-1.07	0.88	1.01	-5.07	-5.67	-6.42	-8.13	-5.82	-2.88	-2.14	-3.50
127	-0.93	1.03	1.17	-5.04	-5.62	-6.40	-7.94	-5.19	-2.41	-1.92	-3.70
128	-0.80	1.17	1.33	-4.93	-5.50	-6.29	-7.60	-4.54	-1.95	-1.70	-3.85
129	-0.67	1.30	1.47	-4.74	-5.30	-6.11	-7.16	-3.93	-1.52	-1.48	-3.93
130	-0.54	1.43	1.60	-4.48	-5.05	-5.88	-6.68	-3.36	-1.14	-1.29	-3.96
131	-0.42	1.55	1.72	-4.19	-4.77	-5.64	-6.19	-2.85	-0.80	-1.12	-3.93
132	-0.31	1.66	1.82	-3.87	-4.48	-5.38	-5.73	-2.40	-0.52	-0.98	-3.85
133	-0.20	1.77	1.92	-3.56	-4.20	-5.15	-5.32	-2.04	-0.29	-0.87	-3.72
134	-0.10	1.86	2.01	-3.26	-3.94	-4.95	-4.96	-1.74	-0.12	-0.79	-3.56
135	0.00	1.95	2.09	-2.99	-3.73	-4.80	-4.68	-1.51	-0.01	-0.74	-3.38
136	0.09	2.04	2.17	-2.76	-3.56	-4.69	-4.46	-1.36	0.06	-0.72	-3.17
137	0.18	2.11	2.23	-2.59	-3.44	-4.65	-4.31	-1.27	0.07	-0.71	-2.96
138	0.27	2.18	2.29	-2.46	-3.39	-4.68	-4.23	-1.24	0.04	-0.73	-2.74
139	0.35	2.25	2.34	-2.40	-3.40	-4.76	-4.20	-1.27	-0.02	-0.76	-2.53
140	0.42	2.31	2.39	-2.39	-3.48	-4.91	-4.23	-1.35	-0.11	-0.80	-2.34
141	0.50	2.36	2.43	-2.44	-3.62	-5.12	-4.29	-1.47	-0.23	-0.85	-2.16
142	0.57	2.41	2.46	-2.56	-3.84	-5.39	-4.39	-1.62	-0.35	-0.89	-2.01
143	0.63	2.45	2.49	-2.74	-4.12	-5.71	-4.51	-1.80	-0.48	-0.93	-1.88
144	0.70	2.49	2.51	-2.98	-4.47	-6.06	-4.63	-1.99	-0.61	-0.97	-1.79
145	0.76	2.52	2.53	-3.28	-4.89	-6.44	-4.75	-2.18	-0.72	-1.00	-1.74
146	0.82	2.55	2.55	-3.64	-5.36	-6.82	-4.86	-2.36	-0.82	-1.02	-1.73
147	0.87	2.58	2.56	-4.06	-5.88	-7.17	-4.95	-2.52	-0.89	-1.04	-1.75
148	0.93	2.60	2.57	-4.53	-6.44	-7.47	-5.00	-2.66	-0.94	-1.05	-1.81
149	0.98	2.62	2.58	-5.05	-7.01	-7.69	-5.01	-2.76	-0.97	-1.06	-1.91
150	1.03	2.63	2.59	-5.60	-7.57	-7.80	-4.98	-2.81	-0.98	-1.06	-2.04
151	1.07	2.65	2.60	-6.17	-8.07	-7.79	-4.92	-2.83	-0.96	-1.06	-2.20
152	1.12	2.66	2.60	-6.73	-8.48	-7.67	-4.83	-2.81	-0.93	-1.07	-2.38
153	1.16	2.67	2.61	-7.23	-8.74	-7.44	-4.71	-2.76	-0.89	-1.07	-2.58
154	1.20	2.67	2.61	-7.65	-8.83	-7.15	-4.58	-2.68	-0.85	-1.09	-2.79
155	1.24	2.68	2.61	-7.94	-8.75	-6.81	-4.44	-2.58	-0.80	-1.10	-3.01
156	1.28	2.68	2.62	-8.07	-8.51	-6.45	-4.30	-2.48	-0.75	-1.13	-3.23
157	1.31	2.69	2.62	-8.02	-8.16	-6.08	-4.17	-2.37	-0.70	-1.16	-3.46
158	1.35	2.69	2.62	-7.83	-7.73	-5.73	-4.05	-2.28	-0.67	-1.20	-3.70
159	1.38	2.69	2.63	-7.51	-7.27	-5.41	-3.94	-2.19	-0.64	-1.25	-3.94
160	1.40	2.69	2.63	-7.12	-6.80	-5.11	-3.86	-2.13	-0.64	-1.33	-4.20
161	1.43	2.69	2.63	-6.68	-6.34	-4.85	-3.80	-2.09	-0.65	-1.42	-4.48
162	1.45	2.69	2.64	-6.24	-5.90	-4.62	-3.77	-2.08	-0.69	-1.53	-4.79
163	1.48	2.68	2.64	-5.80	-5.50	-4.43	-3.77	-2.10	-0.76	-1.67	-5.13
164	1.49	2.68	2.64	-5.39	-5.14	-4.28	-3.81	-2.16	-0.86	-1.84	-5.50
165	1.51	2.67	2.64	-5.00	-4.81	-4.16	-3.87	-2.25	-1.00	-2.05	-5.92
166	1.52	2.67	2.64	-4.65	-4.53	-4.08	-3.98	-2.38	-1.17	-2.29	-6.37



167	1.53	2.66	2.64	-4.34	-4.28	-4.04	-4.12	-2.54	-1.37	-2.58	-6.87
168	1.53	2.65	2.64	-4.07	-4.08	-4.04	-4.30	-2.74	-1.62	-2.91	-7.39
169	1.54	2.64	2.64	-3.83	-3.92	-4.08	-4.52	-2.98	-1.90	-3.29	-7.94
170	1.53	2.63	2.63	-3.63	-3.80	-4.16	-4.79	-3.25	-2.20	-3.71	-8.49
171	1.53	2.62	2.62	-3.47	-3.72	-4.29	-5.11	-3.56	-2.54	-4.16	-9.01
172	1.52	2.60	2.61	-3.34	-3.69	-4.46	-5.48	-3.90	-2.89	-4.65	-9.46
173	1.50	2.58	2.59	-3.24	-3.69	-4.67	-5.91	-4.27	-3.24	-5.15	-9.80
174	1.49	2.56	2.57	-3.19	-3.74	-4.94	-6.39	-4.65	-3.59	-5.64	-9.96
175	1.46	2.53	2.55	-3.16	-3.83	-5.25	-6.94	-5.04	-3.93	-6.09	-9.92
176	1.44	2.50	2.52	-3.17	-3.96	-5.62	-7.55	-5.43	-4.23	-6.48	-9.65
177	1.41	2.47	2.48	-3.20	-4.13	-6.03	-8.23	-5.80	-4.49	-6.77	-9.19
178	1.37	2.44	2.44	-3.27	-4.33	-6.51	-8.98	-6.14	-4.69	-6.92	-8.58
179	1.33	2.40	2.40	-3.36	-4.58	-7.04	-9.81	-6.44	-4.85	-6.93	-7.88
180	1.29	2.36	2.35	-3.48	-4.85	-7.63	-10.70	-6.66	-4.95	-6.80	-7.14
181	1.24	2.32	2.29	-3.62	-5.16	-8.29	-11.67	-6.81	-5.00	-6.55	-6.40
182	1.19	2.27	2.23	-3.78	-5.51	-9.02	-12.67	-6.88	-5.00	-6.21	-5.69
183	1.13	2.22	2.17	-3.96	-5.88	-9.83	-13.67	-6.86	-4.96	-5.81	-5.02
184	1.07	2.16	2.09	-4.16	-6.28	-10.75	-14.57	-6.76	-4.88	-5.38	-4.41
185	1.01	2.11	2.02	-4.37	-6.71	-11.78	-15.24	-6.60	-4.78	-4.95	-3.86
186	0.94	2.05	1.93	-4.60	-7.17	-12.97	-15.53	-6.39	-4.64	-4.51	-3.38
187	0.88	1.99	1.85	-4.85	-7.66	-14.37	-15.36	-6.14	-4.48	-4.10	-2.96
188	0.80	1.92	1.75	-5.11	-8.18	-16.05	-14.78	-5.87	-4.29	-3.71	-2.61
189	0.73	1.86	1.66	-5.39	-8.74	-18.16	-13.95	-5.58	-4.10	-3.35	-2.31
190	0.66	1.79	1.56	-5.69	-9.35	-20.97	-13.00	-5.30	-3.90	-3.02	-2.08
191	0.58	1.72	1.45	-6.02	-10.01	-25.14	-12.03	-5.02	-3.69	-2.73	-1.89
192	0.50	1.65	1.35	-6.37	-10.73	-32.44	-11.10	-4.76	-3.50	-2.48	-1.75
193	0.43	1.59	1.25	-6.74	-11.51	-32.13	-10.23	-4.51	-3.32	-2.27	-1.65
194	0.35	1.52	1.14	-7.15	-12.37	-24.88	-9.43	-4.28	-3.17	-2.10	-1.59
195	0.27	1.46	1.04	-7.61	-13.30	-20.70	-8.69	-4.07	-3.03	-1.97	-1.55
196	0.20	1.40	0.94	-8.10	-14.31	-17.85	-8.02	-3.88	-2.93	-1.88	-1.55
197	0.12	1.34	0.85	-8.66	-15.38	-15.71	-7.41	-3.72	-2.85	-1.84	-1.56
198	0.05	1.29	0.76	-9.28	-16.43	-14.01	-6.85	-3.58	-2.81	-1.84	-1.60
199	-0.01	1.24	0.68	-9.99	-17.36	-12.61	-6.34	-3.47	-2.79	-1.88	-1.65
200	-0.08	1.20	0.61	-10.79	-17.95	-11.43	-5.87	-3.38	-2.80	-1.96	-1.72
201	-0.13	1.17	0.55	-11.71	-18.02	-10.42	-5.45	-3.32	-2.83	-2.06	-1.82
202	-0.19	1.14	0.50	-12.79	-17.52	-9.54	-5.07	-3.28	-2.88	-2.20	-1.92
203	-0.23	1.12	0.46	-14.05	-16.61	-8.77	-4.72	-3.27	-2.96	-2.36	-2.03
204	-0.28	1.11	0.44	-15.57	-15.49	-8.09	-4.41	-3.28	-3.06	-2.53	-2.14
205	-0.31	1.11	0.44	-17.43	-14.33	-7.48	-4.14	-3.32	-3.17	-2.72	-2.25
206	-0.33	1.11	0.44	-19.73	-13.19	-6.94	-3.89	-3.38	-3.31	-2.91	-2.34
207	-0.35	1.12	0.46	-22.39	-12.12	-6.45	-3.67	-3.46	-3.47	-3.10	-2.41
208	-0.36	1.14	0.50	-24.32	-11.12	-6.00	-3.48	-3.56	-3.65	-3.29	-2.44
209	-0.36	1.17	0.54	-23.21	-10.18	-5.58	-3.31	-3.67	-3.84	-3.47	-2.44
210	-0.36	1.21	0.60	-20.29	-9.31	-5.19	-3.15	-3.80	-4.07	-3.66	-2.41

211	-0.34	1.25	0.67	-17.51	-8.49	-4.81	-3.01	-3.93	-4.31	-3.86	-2.35
212	-0.32	1.30	0.75	-15.18	-7.72	-4.45	-2.87	-4.06	-4.57	-4.05	-2.28
213	-0.28	1.36	0.83	-13.23	-6.99	-4.10	-2.73	-4.18	-4.84	-4.26	-2.21
214	-0.24	1.42	0.92	-11.58	-6.30	-3.75	-2.60	-4.28	-5.11	-4.47	-2.16
215	-0.19	1.49	1.02	-10.15	-5.65	-3.41	-2.46	-4.35	-5.36	-4.68	-2.12
216	-0.14	1.56	1.12	-8.90	-5.04	-3.08	-2.32	-4.39	-5.59	-4.90	-2.11
217	-0.07	1.63	1.22	-7.79	-4.45	-2.75	-2.17	-4.39	-5.77	-5.10	-2.13
218	0.00	1.71	1.32	-6.80	-3.91	-2.42	-2.02	-4.35	-5.89	-5.29	-2.18
219	0.08	1.79	1.42	-5.91	-3.40	-2.11	-1.86	-4.26	-5.94	-5.44	-2.26
220	0.16	1.88	1.53	-5.12	-2.92	-1.81	-1.70	-4.13	-5.90	-5.55	-2.37
221	0.24	1.96	1.63	-4.41	-2.48	-1.53	-1.53	-3.96	-5.78	-5.60	-2.48
222	0.33	2.04	1.72	-3.77	-2.08	-1.26	-1.37	-3.76	-5.57	-5.60	-2.61
223	0.43	2.13	1.82	-3.21	-1.73	-1.02	-1.20	-3.52	-5.29	-5.54	-2.73
224	0.52	2.21	1.91	-2.71	-1.40	-0.80	-1.05	-3.26	-4.96	-5.43	-2.85
225	0.62	2.30	2.00	-2.27	-1.12	-0.60	-0.89	-2.98	-4.58	-5.27	-2.96
226	0.72	2.38	2.09	-1.88	-0.87	-0.43	-0.74	-2.70	-4.19	-5.07	-3.07
227	0.81	2.47	2.17	-1.55	-0.66	-0.28	-0.60	-2.41	-3.79	-4.85	-3.17
228	0.91	2.55	2.25	-1.26	-0.48	-0.15	-0.46	-2.13	-3.40	-4.62	-3.28
229	1.01	2.63	2.32	-1.02	-0.33	-0.03	-0.32	-1.85	-3.03	-4.40	-3.40
230	1.11	2.70	2.40	-0.82	-0.21	0.06	-0.19	-1.58	-2.69	-4.20	-3.53
231	1.20	2.78	2.47	-0.66	-0.12	0.15	-0.05	-1.31	-2.37	-4.01	-3.69
232	1.30	2.85	2.53	-0.54	-0.05	0.22	0.08	-1.06	-2.08	-3.86	-3.87
233	1.39	2.92	2.60	-0.45	0.00	0.28	0.22	-0.81	-1.82	-3.74	-4.08
234	1.47	2.99	2.66	-0.40	0.02	0.33	0.36	-0.57	-1.58	-3.65	-4.30
235	1.56	3.06	2.72	-0.39	0.03	0.38	0.50	-0.34	-1.36	-3.59	-4.51
236	1.64	3.12	2.77	-0.41	0.01	0.42	0.63	-0.11	-1.17	-3.54	-4.71
237	1.71	3.18	2.83	-0.47	-0.04	0.45	0.76	0.11	-0.99	-3.50	-4.86
238	1.79	3.24	2.88	-0.56	-0.11	0.47	0.88	0.31	-0.83	-3.46	-4.95
239	1.86	3.29	2.93	-0.69	-0.20	0.48	1.00	0.50	-0.68	-3.43	-4.95
240	1.92	3.34	2.98	-0.85	-0.32	0.48	1.10	0.68	-0.56	-3.39	-4.86
241	1.98	3.39	3.03	-1.04	-0.47	0.47	1.19	0.84	-0.46	-3.35	-4.69
242	2.04	3.44	3.07	-1.26	-0.63	0.45	1.26	0.97	-0.38	-3.30	-4.46
243	2.09	3.48	3.11	-1.50	-0.82	0.43	1.32	1.09	-0.33	-3.25	-4.17
244	2.13	3.52	3.15	-1.75	-1.02	0.40	1.36	1.18	-0.30	-3.20	-3.83
245	2.18	3.56	3.19	-2.00	-1.22	0.37	1.40	1.26	-0.30	-3.12	-3.46
246	2.21	3.59	3.23	-2.26	-1.43	0.34	1.42	1.31	-0.30	-3.01	-3.04
247	2.25	3.62	3.26	-2.49	-1.64	0.32	1.45	1.36	-0.31	-2.85	-2.56
248	2.28	3.65	3.29	-2.71	-1.83	0.30	1.47	1.40	-0.31	-2.61	-2.03
249	2.30	3.67	3.32	-2.90	-2.01	0.30	1.49	1.43	-0.27	-2.27	-1.44
250	2.33	3.70	3.34	-3.05	-2.18	0.29	1.52	1.47	-0.19	-1.83	-0.78
251	2.35	3.72	3.36	-3.16	-2.33	0.29	1.56	1.51	-0.04	-1.28	-0.08
252	2.36	3.73	3.38	-3.23	-2.47	0.28	1.59	1.57	0.18	-0.65	0.64
253	2.37	3.75	3.40	-3.27	-2.59	0.27	1.63	1.63	0.45	0.04	1.38
254	2.38	3.76	3.41	-3.27	-2.72	0.24	1.65	1.70	0.78	0.73	2.09

255	2.39	3.77	3.42	-3.25	-2.84	0.18	1.67	1.77	1.13	1.41	2.77
256	2.40	3.78	3.43	-3.21	-2.96	0.10	1.66	1.83	1.48	2.05	3.40
257	2.40	3.79	3.44	-3.16	-3.09	-0.02	1.63	1.87	1.82	2.62	3.95
258	2.40	3.80	3.44	-3.10	-3.22	-0.17	1.57	1.89	2.13	3.12	4.43
259	2.41	3.80	3.45	-3.03	-3.36	-0.35	1.47	1.88	2.40	3.54	4.82
260	2.41	3.81	3.45	-2.96	-3.48	-0.56	1.34	1.84	2.62	3.88	5.13
261	2.41	3.81	3.45	-2.88	-3.59	-0.79	1.17	1.78	2.79	4.15	5.37
262	2.41	3.82	3.45	-2.78	-3.68	-1.04	0.99	1.71	2.93	4.36	5.54
263	2.41	3.82	3.44	-2.66	-3.73	-1.30	0.78	1.63	3.03	4.52	5.66
264	2.41	3.83	3.44	-2.51	-3.73	-1.55	0.58	1.55	3.12	4.65	5.74
265	2.41	3.83	3.44	-2.31	-3.67	-1.78	0.38	1.50	3.20	4.77	5.80
266	2.41	3.83	3.44	-2.06	-3.55	-1.98	0.20	1.47	3.29	4.88	5.86
267	2.41	3.84	3.45	-1.76	-3.35	-2.14	0.06	1.48	3.38	5.01	5.93
268	2.41	3.85	3.45	-1.41	-3.09	-2.24	-0.05	1.53	3.48	5.14	6.02
269	2.42	3.86	3.46	-1.01	-2.76	-2.29	-0.13	1.60	3.59	5.27	6.11
270	2.42	3.87	3.46	-0.59	-2.39	-2.29	-0.18	1.69	3.68	5.39	6.21
271	2.43	3.88	3.47	-0.14	-1.97	-2.23	-0.21	1.77	3.76	5.49	6.29
272	2.43	3.89	3.48	0.32	-1.52	-2.12	-0.22	1.84	3.82	5.55	6.34
273	2.44	3.90	3.50	0.77	-1.05	-1.95	-0.22	1.89	3.84	5.57	6.35
274	2.45	3.91	3.51	1.21	-0.57	-1.73	-0.22	1.92	3.81	5.52	6.31
275	2.45	3.93	3.53	1.64	-0.09	-1.46	-0.20	1.91	3.74	5.41	6.20
276	2.46	3.94	3.55	2.04	0.38	-1.15	-0.16	1.87	3.63	5.24	6.04
277	2.46	3.96	3.57	2.41	0.85	-0.79	-0.09	1.83	3.48	5.00	5.82
278	2.47	3.97	3.59	2.76	1.29	-0.40	0.01	1.77	3.30	4.71	5.54
279	2.47	3.99	3.61	3.08	1.72	0.01	0.17	1.73	3.11	4.38	5.22
280	2.47	4.00	3.62	3.38	2.12	0.44	0.38	1.72	2.91	4.01	4.86
281	2.47	4.01	3.64	3.66	2.50	0.88	0.64	1.74	2.73	3.62	4.47
282	2.47	4.02	3.66	3.91	2.86	1.31	0.94	1.81	2.58	3.23	4.07
283	2.46	4.03	3.67	4.14	3.20	1.74	1.28	1.94	2.48	2.85	3.67
284	2.45	4.03	3.68	4.35	3.52	2.16	1.64	2.13	2.43	2.50	3.28
285	2.44	4.03	3.69	4.55	3.81	2.56	2.02	2.36	2.44	2.20	2.91
286	2.43	4.03	3.69	4.73	4.08	2.95	2.41	2.63	2.51	1.95	2.57
287	2.41	4.02	3.70	4.90	4.33	3.31	2.80	2.93	2.63	1.75	2.25
288	2.38	4.01	3.69	5.05	4.57	3.65	3.18	3.26	2.80	1.62	1.96
289	2.35	4.00	3.69	5.18	4.77	3.97	3.55	3.59	3.00	1.54	1.69
290	2.32	3.98	3.68	5.29	4.96	4.27	3.90	3.93	3.22	1.52	1.45
291	2.28	3.96	3.67	5.39	5.13	4.53	4.24	4.26	3.46	1.55	1.22
292	2.24	3.93	3.66	5.46	5.27	4.77	4.55	4.58	3.71	1.60	1.02
293	2.19	3.89	3.64	5.50	5.39	4.98	4.84	4.88	3.95	1.69	0.83
294	2.14	3.85	3.61	5.53	5.49	5.16	5.10	5.16	4.19	1.79	0.66
295	2.08	3.81	3.59	5.52	5.56	5.31	5.33	5.41	4.42	1.91	0.52
296	2.02	3.76	3.56	5.49	5.60	5.43	5.52	5.64	4.63	2.03	0.40
297	1.95	3.70	3.53	5.43	5.62	5.51	5.69	5.84	4.82	2.15	0.31
298	1.88	3.64	3.49	5.34	5.61	5.56	5.82	6.01	4.99	2.26	0.26

299	1.81	3.58	3.45	5.22	5.57	5.58	5.92	6.15	5.14	2.37	0.24
300	1.72	3.50	3.40	5.07	5.50	5.56	5.98	6.26	5.26	2.47	0.26
301	1.64	3.43	3.36	4.90	5.40	5.52	6.01	6.34	5.36	2.55	0.31
302	1.55	3.35	3.30	4.70	5.27	5.44	6.01	6.39	5.44	2.63	0.38
303	1.45	3.26	3.25	4.48	5.12	5.34	5.98	6.42	5.49	2.69	0.48
304	1.35	3.17	3.18	4.24	4.93	5.20	5.92	6.42	5.53	2.74	0.58
305	1.25	3.07	3.12	3.97	4.71	5.04	5.84	6.39	5.54	2.78	0.69
306	1.14	2.97	3.04	3.69	4.46	4.85	5.73	6.34	5.53	2.80	0.78
307	1.03	2.87	2.96	3.39	4.18	4.64	5.59	6.27	5.49	2.81	0.86
308	0.91	2.76	2.88	3.07	3.87	4.40	5.42	6.17	5.44	2.81	0.92
309	0.80	2.65	2.79	2.73	3.53	4.13	5.23	6.05	5.37	2.78	0.94
310	0.68	2.53	2.69	2.39	3.17	3.84	5.01	5.90	5.27	2.73	0.93
311	0.56	2.41	2.58	2.04	2.78	3.51	4.76	5.73	5.15	2.66	0.88
312	0.44	2.29	2.47	1.70	2.37	3.17	4.48	5.52	5.01	2.56	0.79
313	0.31	2.17	2.35	1.35	1.94	2.79	4.17	5.29	4.84	2.44	0.68
314	0.19	2.05	2.23	1.03	1.50	2.40	3.82	5.02	4.64	2.30	0.54
315	0.07	1.92	2.09	0.72	1.06	1.98	3.45	4.71	4.41	2.14	0.39
316	-0.05	1.80	1.95	0.45	0.63	1.54	3.05	4.37	4.16	1.97	0.23
317	-0.16	1.68	1.81	0.23	0.22	1.09	2.62	4.00	3.88	1.79	0.07
318	-0.28	1.55	1.66	0.06	-0.14	0.65	2.16	3.60	3.58	1.61	-0.09
319	-0.38	1.43	1.50	-0.04	-0.45	0.22	1.70	3.17	3.26	1.42	-0.23
320	-0.49	1.32	1.34	-0.06	-0.67	-0.18	1.23	2.71	2.91	1.24	-0.35
321	-0.58	1.20	1.18	-0.02	-0.81	-0.52	0.77	2.24	2.56	1.07	-0.45
322	-0.67	1.10	1.02	0.09	-0.85	-0.79	0.34	1.76	2.19	0.90	-0.54
323	-0.75	0.99	0.86	0.26	-0.79	-0.97	-0.03	1.28	1.82	0.74	-0.60
324	-0.82	0.90	0.70	0.48	-0.64	-1.04	-0.32	0.84	1.44	0.59	-0.65
325	-0.88	0.81	0.55	0.75	-0.42	-1.01	-0.53	0.43	1.07	0.43	-0.68
326	-0.93	0.74	0.41	1.03	-0.14	-0.88	-0.62	0.09	0.71	0.28	-0.71
327	-0.96	0.67	0.28	1.33	0.18	-0.67	-0.60	-0.17	0.37	0.11	-0.72
328	-0.99	0.61	0.16	1.64	0.51	-0.40	-0.48	-0.34	0.06	-0.06	-0.74
329	-1.00	0.57	0.05	1.94	0.85	-0.09	-0.28	-0.40	-0.22	-0.24	-0.74
330	-1.00	0.54	-0.04	2.23	1.19	0.23	-0.01	-0.35	-0.46	-0.43	-0.75
331	-0.98	0.52	-0.11	2.51	1.51	0.57	0.30	-0.21	-0.64	-0.63	-0.75
332	-0.96	0.51	-0.17	2.76	1.80	0.89	0.63	0.01	-0.76	-0.83	-0.76
333	-0.92	0.52	-0.20	3.00	2.08	1.20	0.96	0.29	-0.81	-1.03	-0.76
334	-0.87	0.53	-0.22	3.20	2.32	1.48	1.29	0.61	-0.78	-1.22	-0.78
335	-0.82	0.56	-0.21	3.39	2.54	1.73	1.60	0.96	-0.69	-1.39	-0.79
336	-0.75	0.60	-0.19	3.55	2.73	1.96	1.89	1.31	-0.52	-1.53	-0.82
337	-0.68	0.65	-0.15	3.69	2.89	2.16	2.15	1.65	-0.30	-1.64	-0.87
338	-0.60	0.71	-0.10	3.80	3.03	2.32	2.38	1.98	-0.03	-1.70	-0.93
339	-0.51	0.77	-0.03	3.90	3.14	2.46	2.57	2.28	0.26	-1.73	-1.02
340	-0.42	0.84	0.05	3.98	3.22	2.57	2.73	2.56	0.56	-1.71	-1.13
341	-0.33	0.91	0.13	4.05	3.29	2.65	2.86	2.81	0.87	-1.65	-1.28
342	-0.23	0.99	0.23	4.11	3.34	2.71	2.95	3.01	1.16	-1.57	-1.45

343	-0.14	1.07	0.33	4.17	3.38	2.74	3.02	3.19	1.43	-1.46	-1.66
344	-0.04	1.16	0.43	4.23	3.41	2.76	3.05	3.32	1.68	-1.33	-1.89
345	0.06	1.24	0.53	4.29	3.43	2.77	3.05	3.42	1.89	-1.19	-2.15
346	0.16	1.32	0.63	4.35	3.45	2.76	3.02	3.49	2.07	-1.04	-2.42
347	0.25	1.40	0.72	4.42	3.47	2.75	2.98	3.52	2.22	-0.89	-2.71
348	0.34	1.48	0.82	4.51	3.49	2.74	2.91	3.52	2.34	-0.74	-3.00
349	0.43	1.55	0.91	4.60	3.52	2.72	2.84	3.49	2.43	-0.59	-3.28
350	0.52	1.62	0.99	4.70	3.56	2.72	2.75	3.43	2.49	-0.44	-3.54
351	0.61	1.69	1.07	4.81	3.61	2.73	2.67	3.35	2.52	-0.29	-3.77
352	0.69	1.76	1.14	4.92	3.67	2.74	2.59	3.25	2.54	-0.15	-3.97
353	0.76	1.82	1.20	5.03	3.74	2.78	2.52	3.14	2.54	-0.02	-4.13
354	0.84	1.87	1.26	5.14	3.83	2.83	2.47	3.03	2.52	0.10	-4.24
355	0.91	1.92	1.31	5.24	3.92	2.89	2.45	2.91	2.50	0.21	-4.30
356	0.97	1.97	1.35	5.33	4.01	2.97	2.45	2.80	2.47	0.30	-4.32
357	1.03	2.01	1.38	5.40	4.11	3.06	2.47	2.70	2.43	0.38	-4.30
358	1.09	2.04	1.41	5.45	4.20	3.15	2.52	2.61	2.39	0.44	-4.23
359	1.14	2.08	1.43	5.48	4.29	3.25	2.60	2.54	2.34	0.47	-4.13
Vertical											
0	-33.30	-27.57	-22.92	-43.83	-36.28	-40.89	-40.17	-41.56	-33.47	-41.06	-42.40
1	-29.34	-22.96	-20.94	-31.91	-31.64	-33.87	-30.84	-40.38	-43.31	-28.57	-29.46
2	-27.44	-20.78	-21.05	-30.72	-32.87	-30.24	-28.14	-34.88	-32.30	-27.29	-27.32
3	-25.96	-20.17	-22.65	-39.21	-41.76	-31.34	-29.98	-33.97	-28.17	-29.47	-27.66
4	-24.89	-20.91	-24.71	-31.29	-32.77	-39.71	-36.23	-39.35	-29.97	-32.63	-29.00
5	-24.73	-22.63	-24.63	-28.65	-31.31	-40.74	-33.27	-42.60	-43.93	-38.29	-29.57
6	-25.57	-23.48	-22.81	-32.77	-38.42	-36.25	-32.31	-34.91	-33.82	-41.09	-27.71
7	-26.33	-21.89	-21.49	-29.72	-31.80	-39.31	-39.53	-35.32	-30.23	-33.61	-28.26
8	-25.09	-20.06	-21.02	-26.31	-28.13	-34.68	-33.74	-40.14	-33.56	-34.36	-33.46
9	-22.97	-19.15	-21.04	-28.35	-31.82	-32.23	-29.66	-34.06	-35.10	-35.37	-27.54
10	-21.52	-19.00	-20.91	-27.25	-32.59	-36.19	-32.78	-30.99	-29.63	-28.30	-23.16
11	-20.90	-18.95	-20.13	-22.42	-25.12	-33.15	-36.94	-32.32	-29.18	-25.37	-22.79
12	-20.66	-18.30	-18.87	-21.06	-23.50	-26.70	-27.08	-33.17	-31.15	-25.32	-24.17
13	-20.18	-17.10	-17.49	-21.20	-23.85	-24.57	-24.41	-27.86	-27.76	-25.19	-22.99
14	-19.20	-15.81	-16.16	-19.59	-21.42	-24.00	-25.08	-24.66	-24.26	-22.47	-20.47
15	-17.97	-14.68	-14.87	-17.41	-18.50	-22.06	-24.62	-23.73	-23.09	-19.93	-18.81
16	-16.77	-13.71	-13.56	-16.16	-16.99	-19.30	-20.95	-23.54	-22.98	-18.41	-17.32
17	-15.65	-12.74	-12.27	-15.19	-16.02	-17.26	-18.42	-21.98	-21.66	-17.01	-15.14
18	-14.54	-11.66	-11.02	-13.68	-14.65	-15.87	-17.42	-19.74	-19.14	-15.14	-12.64
19	-13.38	-10.43	-9.85	-11.85	-13.05	-14.65	-17.07	-18.52	-17.22	-13.44	-10.60
20	-12.16	-9.16	-8.76	-10.33	-11.74	-13.52	-16.45	-18.85	-16.50	-12.43	-9.35
21	-10.92	-7.97	-7.74	-9.41	-10.89	-12.74	-15.64	-20.88	-16.98	-12.15	-8.79
22	-9.78	-6.97	-6.83	-9.01	-10.40	-12.44	-15.19	-24.72	-18.38	-12.35	-8.67
23	-8.83	-6.20	-6.05	-8.88	-10.08	-12.30	-14.98	-27.80	-20.05	-12.82	-8.79
24	-8.10	-5.65	-5.45	-8.83	-9.66	-11.52	-14.10	-23.93	-20.73	-13.57	-9.20
25	-7.61	-5.30	-5.08	-8.64	-8.89	-9.91	-12.21	-19.11	-19.49	-15.05	-10.04

26	-7.32	-5.14	-4.96	-8.02	-7.65	-8.23	-10.16	-15.35	-17.51	-18.00	-11.10
27	-7.15	-5.14	-5.09	-6.84	-6.28	-6.98	-8.57	-12.61	-16.11	-23.38	-11.24
28	-7.04	-5.25	-5.41	-5.53	-5.22	-6.16	-7.47	-10.77	-15.60	-28.87	-10.12
29	-6.92	-5.42	-5.78	-4.56	-4.63	-5.56	-6.64	-9.66	-15.73	-25.64	-9.28
30	-6.77	-5.58	-6.04	-4.07	-4.30	-4.94	-5.89	-8.97	-15.70	-22.72	-9.72
31	-6.58	-5.66	-6.06	-3.81	-3.77	-4.25	-5.21	-8.34	-14.76	-21.19	-11.63
32	-6.41	-5.65	-5.90	-3.37	-2.89	-3.58	-4.70	-7.59	-13.39	-21.65	-13.92
33	-6.30	-5.59	-5.74	-2.65	-2.04	-3.07	-4.41	-6.96	-12.53	-25.41	-13.12
34	-6.28	-5.54	-5.78	-2.02	-1.67	-2.79	-4.28	-6.76	-12.52	-33.29	-10.65
35	-6.36	-5.58	-6.16	-1.81	-1.83	-2.70	-4.21	-7.02	-12.95	-25.49	-9.19
36	-6.51	-5.78	-6.91	-2.01	-2.16	-2.66	-4.12	-7.42	-12.70	-20.15	-9.09
37	-6.69	-6.16	-7.97	-2.31	-2.19	-2.56	-4.02	-7.42	-11.46	-16.75	-10.03
38	-6.83	-6.67	-9.07	-2.34	-1.95	-2.43	-3.93	-6.90	-10.09	-14.31	-11.05
39	-6.89	-7.17	-9.78	-2.16	-1.85	-2.42	-3.81	-6.20	-8.89	-12.42	-11.11
40	-6.87	-7.46	-9.75	-2.09	-2.09	-2.60	-3.58	-5.51	-7.69	-10.81	-10.70
41	-6.76	-7.37	-9.17	-2.30	-2.40	-2.75	-3.16	-4.75	-6.51	-9.55	-10.77
42	-6.58	-6.94	-8.44	-2.58	-2.32	-2.52	-2.57	-3.90	-5.62	-8.92	-11.79
43	-6.34	-6.38	-7.85	-2.61	-1.90	-1.93	-2.01	-3.15	-5.24	-8.95	-13.81
44	-6.03	-5.87	-7.48	-2.40	-1.56	-1.39	-1.66	-2.68	-5.27	-9.34	-15.70
45	-5.66	-5.52	-7.34	-2.21	-1.43	-1.19	-1.54	-2.52	-5.36	-9.59	-15.04
46	-5.25	-5.34	-7.39	-2.20	-1.39	-1.27	-1.50	-2.47	-5.22	-9.49	-13.16
47	-4.86	-5.31	-7.60	-2.24	-1.36	-1.24	-1.35	-2.37	-4.95	-9.15	-11.56
48	-4.54	-5.38	-7.95	-2.18	-1.34	-0.86	-1.05	-2.21	-4.78	-8.48	-10.08
49	-4.32	-5.48	-8.37	-2.00	-1.24	-0.38	-0.77	-2.09	-4.62	-7.39	-8.67
50	-4.23	-5.57	-8.77	-1.76	-0.92	-0.13	-0.59	-2.00	-4.22	-6.28	-7.66
51	-4.24	-5.63	-9.05	-1.47	-0.43	-0.15	-0.46	-1.85	-3.66	-5.61	-7.20
52	-4.32	-5.65	-9.14	-1.13	-0.09	-0.22	-0.27	-1.62	-3.28	-5.46	-7.08
53	-4.40	-5.67	-9.11	-0.83	-0.05	-0.16	-0.05	-1.42	-3.25	-5.50	-6.97
54	-4.43	-5.73	-9.13	-0.69	-0.12	-0.01	0.06	-1.32	-3.43	-5.40	-6.90
55	-4.41	-5.84	-9.32	-0.70	0.03	0.06	0.05	-1.28	-3.51	-5.24	-7.06
56	-4.36	-5.99	-9.71	-0.69	0.36	0.06	0.02	-1.24	-3.43	-5.29	-7.14
57	-4.31	-6.14	-10.19	-0.56	0.52	0.12	0.03	-1.23	-3.38	-5.45	-6.52
58	-4.29	-6.22	-10.46	-0.37	0.43	0.23	-0.05	-1.28	-3.46	-5.22	-5.45
59	-4.28	-6.17	-10.26	-0.30	0.28	0.24	-0.33	-1.34	-3.45	-4.52	-4.69
60	-4.25	-5.97	-9.66	-0.39	0.28	0.10	-0.64	-1.26	-3.19	-3.91	-4.54
61	-4.16	-5.66	-8.96	-0.47	0.32	-0.06	-0.67	-1.06	-2.83	-3.76	-4.79
62	-3.99	-5.29	-8.35	-0.36	0.24	-0.03	-0.42	-0.89	-2.63	-3.94	-5.08
63	-3.75	-4.92	-7.84	-0.15	0.18	0.14	-0.18	-0.88	-2.67	-4.08	-5.29
64	-3.50	-4.56	-7.34	0.04	0.32	0.22	-0.14	-1.01	-2.82	-4.18	-5.59
65	-3.26	-4.21	-6.77	0.15	0.53	0.10	-0.25	-1.21	-3.02	-4.56	-5.96
66	-3.04	-3.85	-6.11	0.21	0.53	-0.13	-0.33	-1.53	-3.34	-5.28	-6.09
67	-2.83	-3.49	-5.44	0.22	0.29	-0.32	-0.45	-2.02	-3.81	-5.86	-5.96
68	-2.62	-3.13	-4.82	0.17	0.12	-0.46	-0.75	-2.61	-4.30	-5.87	-6.00
69	-2.39	-2.79	-4.29	0.16	0.16	-0.66	-1.22	-3.04	-4.60	-5.72	-6.55

70	-2.16	-2.49	-3.84	0.30	0.22	-0.91	-1.61	-3.23	-4.78	-5.98	-7.55
71	-1.95	-2.19	-3.41	0.56	0.14	-1.10	-1.81	-3.41	-5.07	-6.65	-8.79
72	-1.76	-1.87	-2.98	0.78	0.11	-1.11	-1.99	-3.76	-5.54	-7.32	-10.33
73	-1.57	-1.52	-2.55	1.01	0.34	-1.04	-2.33	-4.17	-6.04	-7.85	-12.38
74	-1.37	-1.13	-2.13	1.37	0.62	-1.06	-2.69	-4.39	-6.36	-8.44	-14.29
75	-1.11	-0.74	-1.76	1.87	0.74	-1.10	-2.76	-4.32	-6.38	-8.77	-14.47
76	-0.81	-0.39	-1.41	2.28	0.80	-0.95	-2.46	-4.00	-5.97	-8.12	-13.82
77	-0.48	-0.09	-1.08	2.57	1.11	-0.50	-1.97	-3.39	-5.11	-6.92	-13.66
78	-0.18	0.16	-0.73	2.86	1.67	0.05	-1.40	-2.56	-4.05	-6.03	-13.61
79	0.07	0.38	-0.39	3.27	2.16	0.50	-0.80	-1.76	-3.13	-5.55	-13.20
80	0.26	0.60	-0.06	3.67	2.48	0.89	-0.24	-1.15	-2.47	-5.17	-12.76
81	0.41	0.81	0.20	3.94	2.78	1.33	0.26	-0.65	-1.95	-4.69	-12.05
82	0.54	1.01	0.39	4.16	3.20	1.83	0.71	-0.15	-1.46	-4.15	-10.31
83	0.67	1.18	0.53	4.50	3.60	2.24	1.12	0.31	-0.93	-3.49	-8.25
84	0.81	1.31	0.66	4.89	3.82	2.49	1.46	0.67	-0.36	-2.65	-6.82
85	0.94	1.43	0.81	5.14	3.89	2.65	1.71	0.99	0.26	-1.81	-6.11
86	1.04	1.55	0.98	5.19	3.99	2.86	1.95	1.40	0.90	-1.17	-5.63
87	1.10	1.69	1.16	5.22	4.18	3.10	2.23	1.86	1.47	-0.70	-5.02
88	1.13	1.85	1.31	5.36	4.34	3.24	2.47	2.21	1.87	-0.27	-4.49
89	1.14	1.99	1.39	5.50	4.36	3.25	2.59	2.40	2.13	0.15	-4.30
90	1.14	2.08	1.43	5.48	4.29	3.25	2.60	2.54	2.34	0.47	-4.13
91	1.15	2.11	1.46	5.31	4.27	3.32	2.59	2.74	2.58	0.76	-3.53
92	1.15	2.09	1.53	5.17	4.31	3.37	2.65	2.93	2.82	1.12	-2.79
93	1.14	2.05	1.65	5.12	4.24	3.25	2.67	2.98	2.98	1.49	-2.48
94	1.11	2.03	1.79	5.00	3.96	2.99	2.58	2.91	3.05	1.67	-2.67
95	1.05	2.04	1.90	4.73	3.57	2.79	2.40	2.86	3.05	1.59	-2.95
96	0.99	2.07	1.93	4.36	3.26	2.67	2.21	2.84	2.95	1.39	-3.05
97	0.93	2.07	1.87	4.02	3.05	2.46	2.01	2.66	2.70	1.18	-3.32
98	0.89	2.03	1.77	3.71	2.75	2.02	1.72	2.22	2.27	0.86	-4.13
99	0.86	1.96	1.68	3.32	2.28	1.50	1.29	1.70	1.77	0.32	-5.23
100	0.85	1.88	1.66	2.91	1.83	1.19	0.85	1.33	1.35	-0.28	-5.98
101	0.83	1.84	1.73	2.58	1.60	1.03	0.45	1.04	0.98	-0.68	-6.48
102	0.80	1.85	1.87	2.25	1.41	0.63	-0.06	0.46	0.44	-1.06	-7.64
103	0.76	1.89	2.02	1.65	0.84	-0.30	-0.95	-0.67	-0.52	-1.93	-9.99
104	0.69	1.93	2.10	0.70	-0.32	-1.68	-2.39	-2.21	-1.96	-3.51	-13.54
105	0.60	1.91	2.11	-0.39	-1.84	-3.12	-4.17	-3.64	-3.68	-5.57	-16.95
106	0.47	1.83	2.03	-1.26	-3.11	-4.34	-5.78	-4.74	-5.35	-7.61	-16.23
107	0.30	1.71	1.92	-1.98	-3.98	-5.63	-7.04	-6.04	-7.06	-9.93	-12.65
108	0.12	1.58	1.80	-3.03	-5.18	-7.48	-8.58	-8.21	-9.62	-13.68	-9.62
109	-0.06	1.49	1.70	-4.76	-7.39	-10.01	-11.11	-11.48	-14.65	-17.56	-7.43
110	-0.18	1.45	1.64	-7.03	-10.71	-12.82	-14.26	-15.14	-26.56	-14.66	-5.60
111	-0.24	1.45	1.59	-9.41	-14.32	-14.77	-14.87	-16.36	-16.13	-10.96	-3.88
112	-0.24	1.43	1.53	-11.95	-17.34	-14.17	-12.74	-13.42	-10.61	-7.82	-2.47
113	-0.22	1.37	1.43	-15.55	-18.34	-11.67	-10.38	-9.65	-7.46	-5.09	-1.46

114	-0.23	1.26	1.30	-19.28	-13.86	-9.22	-8.03	-6.74	-5.11	-3.08	-0.62
115	-0.32	1.09	1.11	-16.30	-9.66	-7.20	-5.89	-4.72	-3.21	-1.75	0.26
116	-0.50	0.90	0.87	-12.26	-7.10	-5.34	-4.18	-3.20	-1.72	-0.73	1.08
117	-0.75	0.70	0.57	-9.26	-5.45	-3.57	-2.85	-1.91	-0.59	0.28	1.61
118	-1.03	0.49	0.21	-6.84	-3.95	-2.10	-1.70	-0.82	0.29	1.20	1.81
119	-1.27	0.25	-0.22	-4.92	-2.38	-1.08	-0.62	0.00	1.01	1.82	1.94
120	-1.44	-0.02	-0.72	-3.53	-1.01	-0.37	0.29	0.55	1.60	2.11	2.16
121	-1.55	-0.34	-1.24	-2.52	-0.05	0.30	0.91	0.96	2.00	2.27	2.32
122	-1.64	-0.71	-1.77	-1.68	0.53	1.04	1.24	1.33	2.23	2.46	2.21
123	-1.76	-1.11	-2.26	-0.90	0.95	1.72	1.38	1.62	2.31	2.60	1.84
124	-1.95	-1.52	-2.70	-0.24	1.37	2.12	1.50	1.71	2.33	2.54	1.44
125	-2.25	-1.92	-3.12	0.21	1.83	2.19	1.66	1.58	2.28	2.27	1.15
126	-2.66	-2.31	-3.55	0.46	2.19	2.09	1.73	1.36	2.15	1.96	0.79
127	-3.13	-2.70	-4.05	0.60	2.34	2.04	1.62	1.24	1.92	1.72	0.16
128	-3.64	-3.11	-4.66	0.72	2.28	2.09	1.31	1.20	1.59	1.45	-0.71
129	-4.13	-3.54	-5.39	0.83	2.08	2.12	0.97	1.07	1.24	0.96	-1.53
130	-4.55	-3.99	-6.23	0.86	1.85	1.95	0.73	0.70	0.88	0.25	-2.19
131	-4.90	-4.45	-7.16	0.73	1.70	1.60	0.60	0.14	0.46	-0.51	-2.95
132	-5.18	-4.89	-8.14	0.44	1.62	1.21	0.42	-0.39	-0.07	-1.15	-4.07
133	-5.41	-5.32	-9.15	0.07	1.53	0.94	0.06	-0.71	-0.73	-1.71	-5.42
134	-5.64	-5.75	-10.17	-0.26	1.34	0.80	-0.49	-0.95	-1.44	-2.38	-6.55
135	-5.90	-6.20	-11.20	-0.51	1.01	0.65	-1.08	-1.33	-2.10	-3.24	-7.29
136	-6.21	-6.69	-12.22	-0.67	0.60	0.38	-1.57	-1.96	-2.71	-4.20	-8.14
137	-6.60	-7.24	-13.18	-0.83	0.20	0.00	-1.97	-2.74	-3.37	-5.14	-9.52
138	-7.07	-7.84	-14.01	-1.08	-0.11	-0.42	-2.38	-3.43	-4.15	-6.07	-11.30
139	-7.59	-8.46	-14.62	-1.46	-0.38	-0.85	-2.88	-3.95	-5.00	-7.06	-12.72
140	-8.15	-9.05	-14.97	-1.91	-0.65	-1.29	-3.49	-4.39	-5.75	-8.09	-13.46
141	-8.69	-9.58	-15.07	-2.36	-0.97	-1.77	-4.13	-4.91	-6.27	-9.00	-14.31
142	-9.17	-10.02	-14.99	-2.73	-1.35	-2.31	-4.74	-5.51	-6.58	-9.62	-15.92
143	-9.58	-10.38	-14.82	-3.01	-1.80	-2.86	-5.35	-6.03	-6.86	-9.91	-18.30
144	-9.92	-10.68	-14.63	-3.31	-2.31	-3.36	-6.01	-6.40	-7.28	-9.98	-20.68
145	-10.21	-10.96	-14.46	-3.71	-2.86	-3.81	-6.66	-6.68	-7.85	-9.97	-21.48
146	-10.51	-11.21	-14.35	-4.21	-3.34	-4.21	-7.19	-7.01	-8.45	-9.97	-19.74
147	-10.86	-11.44	-14.32	-4.78	-3.66	-4.56	-7.48	-7.37	-8.86	-10.03	-16.66
148	-11.26	-11.61	-14.36	-5.34	-3.83	-4.87	-7.53	-7.64	-8.95	-10.12	-13.71
149	-11.73	-11.74	-14.45	-5.83	-4.01	-5.12	-7.49	-7.71	-8.72	-10.09	-11.38
150	-12.21	-11.85	-14.56	-6.24	-4.34	-5.35	-7.52	-7.60	-8.33	-9.74	-9.64
151	-12.71	-11.96	-14.64	-6.54	-4.84	-5.53	-7.68	-7.48	-7.92	-8.99	-8.32
152	-13.19	-12.12	-14.67	-6.77	-5.40	-5.65	-7.90	-7.47	-7.59	-7.99	-7.20
153	-13.69	-12.36	-14.64	-6.98	-5.84	-5.67	-8.04	-7.60	-7.38	-6.99	-6.19
154	-14.21	-12.67	-14.59	-7.26	-6.10	-5.63	-7.99	-7.72	-7.24	-6.18	-5.26
155	-14.77	-13.02	-14.58	-7.69	-6.25	-5.58	-7.72	-7.68	-7.09	-5.60	-4.46
156	-15.36	-13.36	-14.66	-8.28	-6.42	-5.60	-7.37	-7.44	-6.85	-5.19	-3.82
157	-15.96	-13.64	-14.85	-8.99	-6.65	-5.73	-7.10	-7.10	-6.49	-4.83	-3.34



158	-16.55	-13.88	-15.07	-9.76	-6.85	-5.93	-7.03	-6.86	-6.09	-4.49	-2.98
159	-17.12	-14.11	-15.19	-10.53	-6.94	-6.14	-7.14	-6.83	-5.71	-4.19	-2.70
160	-17.67	-14.39	-15.05	-11.33	-6.91	-6.31	-7.35	-6.99	-5.44	-3.96	-2.51
161	-18.29	-14.78	-14.62	-12.27	-6.91	-6.42	-7.56	-7.26	-5.32	-3.80	-2.45
162	-19.07	-15.26	-14.02	-13.45	-7.13	-6.49	-7.70	-7.52	-5.34	-3.69	-2.51
163	-20.11	-15.79	-13.42	-14.87	-7.63	-6.61	-7.86	-7.73	-5.46	-3.64	-2.68
164	-21.39	-16.27	-12.98	-16.33	-8.31	-6.84	-8.12	-7.95	-5.62	-3.71	-2.90
165	-22.71	-16.64	-12.83	-17.46	-9.02	-7.20	-8.59	-8.26	-5.80	-3.94	-3.14
166	-23.73	-16.93	-13.06	-18.11	-9.62	-7.72	-9.23	-8.70	-6.02	-4.33	-3.44
167	-24.35	-17.26	-13.73	-18.64	-10.21	-8.38	-9.94	-9.21	-6.35	-4.82	-3.87
168	-24.79	-17.77	-14.73	-19.68	-10.97	-9.15	-10.56	-9.70	-6.84	-5.32	-4.50
169	-25.18	-18.60	-15.75	-21.77	-12.05	-9.98	-11.08	-10.13	-7.49	-5.83	-5.32
170	-25.56	-19.83	-16.32	-25.11	-13.45	-10.82	-11.62	-10.59	-8.27	-6.43	-6.24
171	-26.21	-21.39	-16.22	-28.47	-14.99	-11.70	-12.40	-11.23	-9.11	-7.29	-7.17
172	-27.77	-22.95	-15.70	-28.22	-16.51	-12.75	-13.57	-12.17	-10.00	-8.49	-8.08
173	-31.40	-23.82	-15.14	-26.45	-18.18	-14.15	-15.11	-13.43	-11.01	-10.04	-9.10
174	-38.85	-23.79	-14.84	-25.79	-20.62	-16.15	-16.80	-14.88	-12.30	-11.87	-10.39
175	-34.48	-23.61	-15.01	-25.82	-25.15	-18.92	-18.35	-16.30	-14.11	-13.83	-12.07
176	-29.31	-24.09	-15.84	-24.57	-37.00	-22.50	-19.78	-17.46	-16.67	-15.92	-14.22
177	-27.37	-25.82	-17.34	-22.20	-31.22	-26.75	-21.59	-18.43	-20.03	-18.35	-16.92
178	-27.17	-29.41	-19.01	-20.01	-24.70	-31.50	-24.51	-19.64	-23.10	-20.17	-19.76
179	-27.53	-32.34	-19.64	-18.13	-21.75	-33.63	-27.64	-21.33	-22.95	-18.45	-19.32
180	-27.20	-27.78	-19.05	-16.65	-19.94	-28.04	-25.59	-21.95	-20.65	-15.36	-15.63
181	-26.34	-23.77	-18.41	-15.87	-18.56	-22.78	-22.26	-19.67	-18.14	-13.08	-12.44
182	-25.83	-21.32	-18.17	-15.82	-17.34	-19.27	-20.20	-16.82	-15.57	-11.57	-10.30
183	-25.43	-19.65	-18.03	-16.18	-16.25	-17.21	-18.83	-14.65	-13.00	-10.46	-8.94
184	-23.94	-18.27	-17.66	-16.41	-15.35	-16.25	-17.48	-13.09	-10.70	-9.42	-8.00
185	-21.51	-17.00	-17.21	-16.17	-14.60	-15.95	-15.93	-11.90	-8.88	-8.32	-7.16
186	-19.29	-15.93	-17.02	-15.58	-13.92	-15.69	-14.35	-10.88	-7.59	-7.15	-6.25
187	-17.76	-15.21	-17.17	-15.14	-13.37	-14.97	-12.99	-9.88	-6.76	-6.04	-5.42
188	-16.86	-14.84	-17.43	-15.18	-13.04	-13.80	-11.95	-8.89	-6.25	-5.08	-4.82
189	-16.42	-14.71	-17.49	-15.65	-12.88	-12.57	-11.19	-8.02	-5.90	-4.32	-4.50
190	-16.18	-14.61	-17.23	-16.10	-12.76	-11.61	-10.66	-7.41	-5.60	-3.75	-4.34
191	-15.91	-14.35	-16.75	-16.11	-12.54	-11.06	-10.35	-7.03	-5.30	-3.32	-4.16
192	-15.46	-13.88	-16.13	-15.76	-12.28	-10.85	-10.30	-6.80	-5.01	-3.00	-3.89
193	-14.83	-13.26	-15.38	-15.41	-12.17	-10.84	-10.48	-6.60	-4.75	-2.76	-3.60
194	-14.13	-12.57	-14.60	-15.22	-12.40	-10.90	-10.81	-6.39	-4.51	-2.63	-3.38
195	-13.52	-11.93	-13.88	-15.05	-12.91	-10.93	-11.01	-6.23	-4.28	-2.65	-3.20
196	-13.07	-11.44	-13.32	-14.73	-13.36	-10.91	-10.90	-6.19	-4.06	-2.83	-2.98
197	-12.81	-11.17	-12.92	-14.43	-13.37	-10.88	-10.65	-6.32	-3.91	-3.12	-2.73
198	-12.67	-11.11	-12.66	-14.44	-12.97	-10.97	-10.62	-6.59	-3.91	-3.43	-2.58
199	-12.58	-11.21	-12.50	-14.95	-12.51	-11.28	-11.00	-6.91	-4.10	-3.66	-2.65
200	-12.45	-11.39	-12.38	-15.78	-12.25	-11.86	-11.70	-7.21	-4.51	-3.78	-3.02
201	-12.22	-11.54	-12.23	-16.29	-12.20	-12.53	-12.38	-7.53	-5.07	-3.87	-3.62

202	-11.89	-11.57	-12.04	-16.00	-12.29	-12.86	-12.76	-7.97	-5.68	-4.06	-4.34
203	-11.50	-11.43	-11.83	-15.42	-12.46	-12.59	-12.99	-8.63	-6.27	-4.47	-5.04
204	-11.08	-11.14	-11.67	-15.17	-12.69	-12.03	-13.53	-9.51	-6.79	-5.20	-5.63
205	-10.68	-10.81	-11.62	-15.39	-12.87	-11.71	-14.56	-10.47	-7.32	-6.33	-6.14
206	-10.32	-10.53	-11.70	-15.71	-12.78	-11.89	-15.67	-11.35	-8.01	-7.87	-6.72
207	-10.02	-10.33	-11.86	-15.56	-12.33	-12.52	-16.14	-12.17	-9.05	-9.62	-7.62
208	-9.81	-10.16	-12.04	-14.93	-11.71	-13.20	-15.91	-13.11	-10.59	-11.22	-9.14
209	-9.68	-9.97	-12.16	-14.40	-11.24	-13.41	-15.66	-14.43	-12.69	-12.58	-11.56
210	-9.63	-9.72	-12.18	-14.23	-11.10	-13.04	-15.80	-16.33	-15.11	-14.38	-14.98
211	-9.61	-9.44	-12.11	-14.20	-11.25	-12.45	-16.22	-18.85	-17.27	-17.80	-19.04
212	-9.57	-9.19	-12.01	-13.89	-11.50	-11.88	-16.55	-21.73	-19.04	-25.50	-21.76
213	-9.45	-9.06	-11.90	-13.20	-11.59	-11.44	-16.58	-24.37	-21.61	-32.11	-20.32
214	-9.22	-9.07	-11.83	-12.51	-11.36	-11.20	-16.54	-27.18	-27.05	-22.11	-16.74
215	-8.92	-9.19	-11.77	-12.18	-10.84	-11.25	-16.63	-33.14	-33.17	-18.90	-13.77
216	-8.62	-9.30	-11.68	-12.17	-10.18	-11.57	-16.86	-40.59	-25.52	-17.09	-11.82
217	-8.37	-9.27	-11.50	-11.95	-9.54	-11.94	-17.22	-28.39	-22.10	-15.62	-10.46
218	-8.20	-9.02	-11.22	-11.05	-9.07	-11.97	-17.71	-24.26	-20.24	-14.58	-9.18
219	-8.08	-8.63	-10.82	-9.80	-8.82	-11.50	-18.26	-22.17	-17.82	-13.87	-8.00
220	-7.91	-8.21	-10.36	-8.74	-8.67	-10.77	-18.61	-19.95	-14.99	-12.89	-7.33
221	-7.63	-7.89	-9.88	-8.06	-8.33	-10.11	-18.24	-17.06	-12.76	-11.48	-7.35
222	-7.21	-7.72	-9.42	-7.58	-7.65	-9.60	-16.74	-14.38	-11.24	-10.25	-7.75
223	-6.72	-7.67	-9.01	-7.04	-6.76	-9.06	-14.53	-12.41	-9.93	-9.47	-7.84
224	-6.25	-7.58	-8.65	-6.41	-5.93	-8.28	-12.41	-11.06	-8.37	-8.74	-7.40
225	-5.91	-7.31	-8.32	-5.82	-5.30	-7.29	-10.80	-9.91	-6.74	-7.53	-6.93
226	-5.73	-6.79	-7.98	-5.38	-4.83	-6.36	-9.71	-8.51	-5.46	-6.11	-6.73
227	-5.69	-6.17	-7.59	-4.97	-4.36	-5.68	-8.73	-6.95	-4.63	-4.98	-6.58
228	-5.70	-5.61	-7.13	-4.43	-3.83	-5.13	-7.45	-5.59	-4.02	-4.27	-6.26
229	-5.65	-5.24	-6.59	-3.76	-3.26	-4.46	-5.95	-4.61	-3.26	-3.77	-5.86
230	-5.45	-5.09	-6.01	-3.11	-2.71	-3.56	-4.65	-3.84	-2.28	-3.20	-5.51
231	-5.09	-5.08	-5.46	-2.59	-2.14	-2.64	-3.71	-3.00	-1.34	-2.51	-5.09
232	-4.67	-5.05	-4.98	-2.20	-1.54	-1.94	-3.00	-2.05	-0.62	-1.76	-4.55
233	-4.29	-4.83	-4.59	-1.86	-0.95	-1.45	-2.28	-1.18	-0.09	-1.02	-4.06
234	-3.98	-4.36	-4.27	-1.54	-0.49	-0.97	-1.47	-0.55	0.39	-0.33	-3.65
235	-3.73	-3.79	-3.99	-1.23	-0.18	-0.34	-0.68	-0.10	0.90	0.24	-3.15
236	-3.45	-3.31	-3.73	-0.90	0.06	0.33	-0.03	0.36	1.39	0.70	-2.40
237	-3.10	-3.04	-3.48	-0.52	0.30	0.82	0.51	0.91	1.77	1.14	-1.54
238	-2.66	-2.93	-3.25	-0.17	0.55	1.05	1.01	1.46	2.04	1.62	-0.77
239	-2.21	-2.87	-3.05	0.05	0.79	1.16	1.47	1.86	2.25	2.04	-0.17
240	-1.83	-2.65	-2.87	0.09	0.97	1.32	1.81	2.12	2.44	2.29	0.34
241	-1.57	-2.17	-2.65	0.08	1.09	1.55	1.97	2.31	2.57	2.39	0.83
242	-1.43	-1.54	-2.34	0.12	1.11	1.72	2.01	2.45	2.58	2.46	1.26
243	-1.33	-0.94	-1.91	0.19	1.03	1.74	2.01	2.49	2.49	2.52	1.59
244	-1.16	-0.52	-1.43	0.22	0.89	1.65	2.02	2.36	2.34	2.52	1.80
245	-0.86	-0.32	-0.98	0.21	0.82	1.58	2.00	2.15	2.17	2.42	1.94

246	-0.46	-0.27	-0.67	0.28	0.88	1.56	1.94	1.97	1.95	2.31	2.10
247	-0.05	-0.21	-0.51	0.44	0.92	1.51	1.82	1.83	1.67	2.23	2.31
248	0.28	0.01	-0.46	0.53	0.83	1.37	1.64	1.58	1.28	2.05	2.44
249	0.49	0.42	-0.39	0.45	0.62	1.13	1.35	1.11	0.75	1.64	2.36
250	0.60	0.92	-0.19	0.27	0.44	0.84	0.95	0.46	0.05	1.06	2.05
251	0.69	1.35	0.18	0.13	0.34	0.50	0.47	-0.19	-0.82	0.47	1.63
252	0.84	1.64	0.65	0.09	0.20	0.13	-0.03	-0.80	-1.81	-0.08	1.22
253	1.08	1.79	1.11	0.02	-0.12	-0.27	-0.55	-1.52	-2.83	-0.76	0.75
254	1.36	1.87	1.45	-0.10	-0.54	-0.63	-1.12	-2.51	-3.87	-1.68	0.05
255	1.60	1.97	1.63	-0.15	-0.84	-0.98	-1.79	-3.73	-5.04	-2.66	-0.88
256	1.72	2.14	1.68	-0.07	-0.94	-1.40	-2.56	-5.07	-6.53	-3.57	-1.87
257	1.71	2.35	1.68	-0.02	-1.00	-1.92	-3.45	-6.61	-8.45	-4.68	-2.83
258	1.61	2.53	1.68	-0.20	-1.20	-2.52	-4.49	-8.65	-10.82	-6.43	-3.95
259	1.50	2.60	1.72	-0.64	-1.56	-3.13	-5.63	-11.49	-13.53	-8.90	-5.42
260	1.46	2.58	1.80	-1.13	-2.03	-3.75	-6.80	-15.24	-16.18	-11.51	-7.14
261	1.49	2.49	1.89	-1.46	-2.57	-4.42	-8.00	-20.01	-17.35	-13.48	-8.90
262	1.56	2.42	1.95	-1.64	-3.15	-5.12	-9.35	-26.26	-15.87	-14.87	-10.88
263	1.59	2.41	2.00	-1.87	-3.68	-5.77	-10.96	-22.70	-13.35	-15.49	-13.44
264	1.56	2.47	2.06	-2.23	-4.05	-6.24	-12.64	-16.73	-11.02	-14.98	-15.94
265	1.48	2.53	2.14	-2.57	-4.24	-6.56	-13.80	-13.28	-9.12	-13.78	-16.57
266	1.39	2.56	2.25	-2.73	-4.32	-6.82	-13.87	-11.10	-7.64	-12.05	-15.19
267	1.35	2.54	2.35	-2.77	-4.40	-7.08	-13.02	-9.48	-6.55	-10.12	-12.81
268	1.36	2.49	2.43	-2.86	-4.45	-7.26	-11.87	-8.17	-5.79	-8.60	-10.53
269	1.37	2.44	2.44	-3.08	-4.47	-7.24	-10.80	-7.17	-5.26	-7.64	-8.93
270	1.33	2.40	2.40	-3.36	-4.58	-7.04	-9.81	-6.44	-4.85	-6.93	-7.88
271	1.21	2.35	2.31	-3.57	-4.89	-6.84	-8.87	-5.83	-4.44	-6.17	-7.03
272	1.04	2.24	2.17	-3.69	-5.35	-6.80	-8.14	-5.28	-4.05	-5.46	-6.29
273	0.89	2.06	2.00	-3.80	-5.69	-6.94	-7.82	-4.94	-3.78	-5.04	-5.75
274	0.79	1.83	1.79	-3.99	-5.74	-7.05	-7.87	-4.96	-3.75	-4.89	-5.45
275	0.73	1.59	1.54	-4.29	-5.72	-6.97	-8.00	-5.29	-3.97	-4.88	-5.27
276	0.65	1.37	1.25	-4.69	-5.92	-6.81	-7.84	-5.64	-4.32	-4.98	-5.24
277	0.46	1.17	0.95	-5.20	-6.42	-6.83	-7.43	-5.80	-4.62	-5.30	-5.49
278	0.15	0.95	0.63	-5.78	-7.02	-7.19	-7.16	-5.89	-4.79	-5.76	-6.02
279	-0.25	0.63	0.31	-6.36	-7.49	-7.81	-7.32	-6.19	-4.93	-6.09	-6.55
280	-0.63	0.20	-0.02	-6.82	-7.82	-8.42	-7.92	-6.84	-5.21	-6.22	-6.80
281	-0.88	-0.32	-0.38	-7.09	-8.23	-8.86	-8.77	-7.73	-5.73	-6.48	-6.96
282	-0.98	-0.83	-0.77	-7.31	-8.80	-9.23	-9.63	-8.66	-6.45	-7.19	-7.49
283	-0.98	-1.23	-1.23	-7.71	-9.40	-9.70	-10.40	-9.49	-7.32	-8.33	-8.61
284	-0.99	-1.46	-1.75	-8.51	-10.02	-10.28	-11.13	-10.22	-8.32	-9.65	-10.24
285	-1.06	-1.57	-2.32	-9.84	-10.83	-10.87	-11.92	-10.87	-9.40	-10.99	-12.16
286	-1.19	-1.64	-2.86	-11.63	-12.00	-11.53	-12.84	-11.46	-10.51	-12.60	-14.37
287	-1.28	-1.77	-3.30	-13.69	-13.46	-12.46	-13.95	-12.11	-11.66	-14.76	-17.41
288	-1.27	-1.96	-3.57	-15.86	-14.85	-13.72	-15.10	-13.05	-13.02	-17.43	-22.14
289	-1.17	-2.19	-3.69	-17.84	-15.64	-14.93	-15.99	-14.42	-14.86	-20.58	-26.54

290	-1.09	-2.42	-3.78	-18.60	-15.54	-15.40	-16.24	-15.91	-17.22	-24.75	-22.57
291	-1.13	-2.61	-4.01	-17.71	-14.66	-14.72	-15.69	-16.69	-19.65	-26.96	-18.43
292	-1.33	-2.78	-4.44	-16.28	-13.40	-13.24	-14.55	-16.07	-21.11	-23.63	-15.46
293	-1.61	-2.90	-5.07	-14.94	-12.15	-11.68	-13.25	-14.47	-20.85	-21.56	-13.47
294	-1.85	-2.93	-5.69	-13.85	-11.11	-10.50	-12.04	-12.83	-19.62	-21.11	-12.46
295	-1.92	-2.85	-6.02	-13.09	-10.31	-9.73	-10.92	-11.65	-18.51	-20.51	-12.26
296	-1.83	-2.67	-5.88	-12.60	-9.73	-9.19	-9.85	-10.96	-17.95	-18.74	-12.27
297	-1.71	-2.53	-5.47	-12.10	-9.22	-8.65	-8.87	-10.52	-17.87	-17.09	-11.74
298	-1.76	-2.56	-5.15	-11.31	-8.65	-8.12	-8.13	-10.18	-18.03	-16.41	-10.97
299	-2.10	-2.89	-5.24	-10.32	-8.05	-7.74	-7.75	-9.94	-18.17	-16.65	-10.91
300	-2.73	-3.51	-5.87	-9.57	-7.62	-7.56	-7.65	-9.84	-18.00	-17.34	-12.10
301	-3.41	-4.26	-7.00	-9.38	-7.47	-7.36	-7.51	-9.74	-17.18	-17.86	-14.42
302	-3.76	-4.74	-8.13	-9.65	-7.52	-6.95	-7.09	-9.42	-15.67	-17.67	-16.30
303	-3.50	-4.57	-8.32	-9.95	-7.60	-6.45	-6.54	-8.93	-13.98	-16.88	-16.27
304	-2.87	-3.92	-7.39	-10.11	-7.75	-6.25	-6.30	-8.60	-12.81	-16.24	-15.93
305	-2.31	-3.27	-6.25	-10.44	-8.22	-6.69	-6.69	-8.83	-12.60	-16.32	-16.03
306	-2.11	-2.97	-5.58	-11.18	-9.15	-7.87	-7.87	-9.85	-13.49	-17.05	-16.05
307	-2.43	-3.22	-5.63	-11.71	-9.90	-9.18	-9.57	-11.67	-15.36	-17.75	-14.96
308	-3.30	-4.12	-6.52	-10.53	-8.98	-8.94	-10.21	-13.25	-17.72	-17.48	-12.74
309	-4.65	-5.69	-8.40	-8.28	-6.95	-7.21	-8.67	-12.80	-19.82	-16.37	-10.92
310	-5.98	-7.57	-11.08	-6.75	-5.49	-5.75	-6.84	-11.28	-21.58	-15.64	-10.41
311	-6.22	-8.20	-12.25	-6.65	-5.26	-5.29	-5.93	-10.38	-23.14	-16.35	-11.43
312	-5.10	-6.68	-9.83	-8.33	-6.50	-6.10	-6.27	-10.59	-23.65	-19.32	-13.97
313	-3.62	-4.66	-7.10	-12.73	-9.81	-8.72	-8.22	-12.18	-22.37	-25.71	-18.72
314	-2.49	-3.15	-5.28	-28.25	-18.43	-15.45	-13.02	-15.98	-20.80	-27.02	-37.77
315	-1.83	-2.27	-4.26	-15.41	-17.53	-19.56	-23.32	-25.93	-20.41	-18.82	-15.75
316	-1.63	-1.92	-3.84	-8.71	-8.76	-9.59	-13.39	-22.78	-21.42	-13.47	-8.80
317	-1.82	-2.01	-3.88	-5.85	-5.35	-6.16	-9.01	-16.14	-21.85	-10.39	-5.42
318	-2.31	-2.45	-4.25	-5.21	-4.44	-5.58	-8.03	-14.55	-20.16	-9.35	-4.33
319	-3.00	-3.16	-4.84	-6.65	-5.73	-7.52	-9.68	-16.09	-19.22	-10.44	-5.32
320	-3.77	-3.99	-5.54	-10.54	-9.86	-13.18	-15.02	-22.06	-20.44	-14.25	-8.60
321	-4.49	-4.80	-6.23	-16.34	-19.70	-25.78	-42.31	-29.96	-23.68	-22.98	-14.21
322	-5.20	-5.52	-6.82	-16.03	-17.52	-14.81	-17.20	-19.57	-25.95	-24.27	-16.74
323	-6.02	-6.24	-7.35	-15.24	-13.89	-12.48	-14.04	-16.83	-26.36	-20.82	-16.18
324	-7.07	-7.10	-7.92	-18.27	-15.61	-14.33	-15.17	-17.22	-29.77	-24.09	-19.18
325	-8.21	-8.07	-8.56	-23.24	-23.43	-21.52	-20.93	-20.32	-30.67	-27.42	-27.69
326	-9.01	-8.75	-9.12	-18.58	-24.04	-27.53	-33.07	-28.35	-24.37	-19.86	-20.89
327	-8.97	-8.58	-9.16	-14.52	-16.72	-16.15	-18.49	-27.65	-21.65	-17.23	-15.82
328	-8.13	-7.56	-8.38	-11.77	-12.92	-11.55	-13.90	-19.93	-21.55	-17.57	-13.45
329	-6.91	-6.22	-7.10	-9.52	-9.71	-8.59	-11.27	-16.63	-23.87	-19.03	-12.27
330	-5.68	-4.99	-5.81	-7.85	-7.32	-6.76	-9.54	-15.30	-30.76	-18.09	-11.37
331	-4.67	-4.00	-4.76	-6.98	-6.15	-6.02	-8.65	-15.26	-36.49	-15.64	-9.94
332	-4.03	-3.30	-3.96	-6.95	-6.27	-6.29	-8.73	-16.14	-24.63	-14.05	-8.17
333	-3.84	-2.90	-3.42	-7.60	-7.44	-7.43	-9.83	-17.58	-20.41	-13.40	-6.98

334	-4.14	-2.85	-3.17	-8.53	-9.08	-9.13	-11.94	-19.02	-18.16	-13.15	-6.75
335	-4.96	-3.24	-3.33	-9.41	-10.45	-11.03	-14.81	-19.66	-16.58	-12.76	-7.32
336	-6.28	-4.16	-4.02	-10.17	-11.38	-12.64	-17.63	-19.15	-15.10	-12.25	-8.11
337	-8.12	-5.69	-5.30	-10.52	-11.59	-13.31	-18.91	-18.22	-13.73	-11.96	-8.61
338	-10.42	-7.78	-7.12	-10.12	-11.03	-12.99	-18.55	-17.77	-12.77	-12.04	-8.68
339	-12.88	-10.12	-9.20	-9.68	-10.68	-12.63	-18.06	-18.24	-12.55	-12.33	-8.61
340	-14.71	-11.94	-10.97	-10.04	-11.24	-12.98	-18.34	-19.68	-13.25	-12.77	-8.98
341	-15.25	-12.59	-11.87	-11.46	-12.79	-14.24	-19.60	-21.75	-14.86	-13.51	-10.14
342	-15.05	-12.39	-11.93	-13.74	-15.11	-16.35	-21.74	-23.48	-17.10	-14.80	-11.86
343	-14.80	-11.92	-11.57	-16.44	-17.71	-19.07	-24.59	-24.21	-19.20	-16.68	-13.57
344	-14.71	-11.57	-11.34	-18.87	-19.67	-21.77	-27.59	-24.93	-20.31	-18.69	-15.29
345	-14.83	-11.69	-11.67	-20.18	-20.38	-23.46	-29.33	-26.88	-20.85	-20.33	-17.59
346	-15.36	-12.52	-12.76	-20.55	-20.51	-23.79	-29.57	-30.54	-22.12	-22.13	-20.33
347	-16.48	-14.07	-14.37	-20.40	-20.56	-23.43	-28.83	-32.13	-24.75	-25.16	-21.51
348	-18.22	-15.86	-15.63	-19.86	-20.71	-23.40	-27.67	-30.23	-26.80	-29.70	-21.23
349	-20.14	-16.97	-16.02	-20.16	-21.06	-24.17	-27.01	-30.83	-26.26	-31.36	-22.51
350	-21.51	-17.60	-16.53	-21.80	-21.49	-24.91	-26.41	-35.53	-26.73	-30.09	-25.89
351	-22.52	-19.03	-18.34	-22.77	-22.17	-24.78	-25.49	-37.52	-29.16	-31.86	-25.96
352	-24.25	-22.39	-22.25	-22.45	-23.57	-25.38	-25.58	-34.64	-30.72	-35.23	-24.78
353	-27.18	-27.43	-26.28	-23.46	-24.60	-28.22	-27.86	-38.68	-32.04	-29.94	-26.31
354	-28.92	-25.63	-23.28	-24.47	-23.61	-30.34	-30.77	-40.58	-40.85	-27.83	-26.72
355	-27.37	-22.49	-21.05	-23.44	-23.03	-27.64	-29.66	-31.28	-37.50	-29.84	-24.86
356	-26.58	-21.93	-21.48	-23.97	-24.62	-27.13	-29.68	-29.22	-31.44	-29.01	-24.21
357	-28.21	-23.75	-25.11	-27.24	-28.51	-30.50	-33.96	-31.36	-33.48	-25.08	-24.21
358	-33.77	-28.78	-37.80	-29.78	-32.81	-39.61	-44.40	-38.68	-57.69	-24.94	-25.44
359	-46.99	-36.25	-28.96	-32.04	-37.00	-42.60	-49.14	-43.52	-34.60	-30.43	-31.04

Port 3:

Angle	FREQUENCY										
	2400	2450	2500	5150	5250	5350	5450	5550	5650	5750	5850
	Horizontal										
0	4.01	4.74	4.26	-0.69	-3.38	-1.51	0.83	2.08	4.06	6.18	6.96
1	4.00	4.73	4.25	-0.34	-3.08	-1.55	0.72	2.04	4.04	6.14	6.89
2	4.00	4.72	4.25	0.02	-2.72	-1.57	0.61	1.98	3.97	6.06	6.79
3	3.99	4.71	4.24	0.40	-2.32	-1.56	0.50	1.89	3.88	5.94	6.66
4	3.98	4.70	4.22	0.78	-1.89	-1.50	0.40	1.79	3.75	5.78	6.49
5	3.97	4.69	4.21	1.17	-1.43	-1.39	0.31	1.66	3.60	5.58	6.29
6	3.95	4.68	4.19	1.55	-0.96	-1.22	0.25	1.52	3.41	5.34	6.05
7	3.94	4.67	4.18	1.92	-0.48	-1.00	0.22	1.39	3.20	5.06	5.78
8	3.93	4.66	4.16	2.28	0.00	-0.71	0.24	1.27	2.97	4.74	5.48
9	3.91	4.65	4.13	2.62	0.47	-0.38	0.31	1.17	2.72	4.38	5.15
10	3.89	4.63	4.11	2.94	0.93	-0.02	0.43	1.10	2.48	4.00	4.78
11	3.87	4.62	4.09	3.24	1.38	0.38	0.61	1.08	2.24	3.60	4.39

12	3.85	4.60	4.06	3.52	1.80	0.79	0.85	1.12	2.02	3.18	3.96
13	3.82	4.58	4.04	3.77	2.20	1.21	1.13	1.21	1.84	2.75	3.51
14	3.79	4.56	4.01	4.00	2.57	1.62	1.44	1.36	1.71	2.33	3.03
15	3.76	4.54	3.99	4.20	2.92	2.03	1.78	1.55	1.64	1.93	2.54
16	3.73	4.52	3.96	4.39	3.25	2.41	2.14	1.79	1.64	1.56	2.03
17	3.69	4.49	3.93	4.55	3.54	2.78	2.50	2.06	1.69	1.23	1.52
18	3.65	4.46	3.90	4.68	3.81	3.11	2.85	2.35	1.81	0.96	1.01
19	3.61	4.42	3.88	4.80	4.04	3.42	3.19	2.65	1.97	0.75	0.51
20	3.56	4.38	3.85	4.89	4.25	3.70	3.51	2.95	2.16	0.61	0.03
21	3.50	4.34	3.82	4.96	4.43	3.95	3.82	3.25	2.38	0.52	-0.41
22	3.45	4.30	3.79	5.01	4.59	4.17	4.09	3.54	2.60	0.50	-0.81
23	3.39	4.24	3.76	5.03	4.71	4.35	4.35	3.81	2.83	0.51	-1.16
24	3.32	4.19	3.72	5.04	4.80	4.50	4.57	4.07	3.05	0.56	-1.46
25	3.25	4.13	3.68	5.02	4.86	4.63	4.77	4.30	3.26	0.64	-1.70
26	3.18	4.07	3.65	4.97	4.90	4.72	4.94	4.51	3.45	0.74	-1.88
27	3.10	4.00	3.60	4.90	4.90	4.77	5.08	4.70	3.63	0.85	-2.01
28	3.02	3.93	3.56	4.81	4.87	4.80	5.19	4.87	3.80	0.96	-2.08
29	2.94	3.85	3.51	4.68	4.81	4.80	5.27	5.01	3.95	1.07	-2.11
30	2.85	3.77	3.45	4.53	4.72	4.77	5.32	5.13	4.08	1.18	-2.09
31	2.76	3.69	3.39	4.36	4.59	4.70	5.35	5.22	4.20	1.28	-2.03
32	2.66	3.60	3.33	4.15	4.44	4.61	5.34	5.28	4.29	1.37	-1.94
33	2.56	3.50	3.26	3.91	4.24	4.49	5.31	5.32	4.37	1.45	-1.83
34	2.46	3.40	3.18	3.65	4.02	4.33	5.25	5.33	4.42	1.52	-1.69
35	2.35	3.30	3.10	3.36	3.76	4.14	5.15	5.32	4.45	1.57	-1.54
36	2.25	3.20	3.01	3.04	3.47	3.92	5.03	5.28	4.46	1.61	-1.39
37	2.14	3.09	2.91	2.70	3.15	3.66	4.88	5.22	4.45	1.64	-1.23
38	2.03	2.98	2.81	2.35	2.80	3.37	4.69	5.13	4.41	1.66	-1.08
39	1.91	2.86	2.71	1.99	2.42	3.05	4.48	5.02	4.36	1.67	-0.94
40	1.80	2.74	2.59	1.63	2.03	2.70	4.23	4.89	4.28	1.68	-0.82
41	1.68	2.62	2.47	1.30	1.62	2.32	3.95	4.73	4.19	1.68	-0.72
42	1.56	2.50	2.35	1.00	1.22	1.91	3.64	4.56	4.08	1.68	-0.64
43	1.45	2.37	2.22	0.75	0.83	1.48	3.31	4.35	3.96	1.68	-0.58
44	1.33	2.24	2.08	0.56	0.48	1.03	2.94	4.13	3.83	1.69	-0.54
45	1.21	2.11	1.95	0.45	0.17	0.57	2.54	3.88	3.70	1.70	-0.52
46	1.09	1.98	1.80	0.42	-0.07	0.11	2.12	3.60	3.55	1.71	-0.52
47	0.98	1.86	1.66	0.48	-0.24	-0.33	1.66	3.30	3.39	1.72	-0.53
48	0.86	1.73	1.51	0.60	-0.32	-0.75	1.18	2.96	3.22	1.73	-0.55
49	0.75	1.60	1.37	0.79	-0.31	-1.12	0.68	2.59	3.03	1.73	-0.56
50	0.65	1.47	1.22	1.03	-0.22	-1.41	0.17	2.18	2.82	1.71	-0.57
51	0.54	1.35	1.08	1.31	-0.04	-1.60	-0.34	1.74	2.58	1.68	-0.57
52	0.44	1.23	0.95	1.62	0.21	-1.67	-0.83	1.28	2.31	1.62	-0.56
53	0.35	1.11	0.82	1.95	0.52	-1.59	-1.26	0.80	2.02	1.54	-0.53
54	0.27	1.00	0.69	2.29	0.89	-1.38	-1.58	0.31	1.70	1.44	-0.48
55	0.19	0.89	0.58	2.64	1.29	-1.04	-1.75	-0.15	1.36	1.32	-0.42

56	0.12	0.79	0.47	2.99	1.71	-0.62	-1.74	-0.56	1.02	1.19	-0.35
57	0.06	0.70	0.38	3.33	2.14	-0.14	-1.55	-0.89	0.68	1.05	-0.27
58	0.01	0.62	0.30	3.65	2.56	0.36	-1.21	-1.10	0.37	0.90	-0.19
59	-0.02	0.55	0.24	3.96	2.96	0.87	-0.75	-1.18	0.11	0.75	-0.12
60	-0.05	0.48	0.18	4.23	3.34	1.36	-0.25	-1.13	-0.11	0.61	-0.05
61	-0.06	0.43	0.15	4.47	3.67	1.81	0.27	-0.96	-0.27	0.47	0.01
62	-0.07	0.39	0.12	4.68	3.97	2.23	0.78	-0.70	-0.38	0.34	0.06
63	-0.06	0.36	0.11	4.84	4.22	2.61	1.25	-0.39	-0.45	0.19	0.09
64	-0.04	0.34	0.11	4.98	4.43	2.95	1.69	-0.03	-0.48	0.04	0.09
65	-0.01	0.34	0.12	5.08	4.60	3.24	2.08	0.34	-0.49	-0.14	0.08
66	0.03	0.34	0.14	5.15	4.74	3.51	2.43	0.73	-0.47	-0.33	0.04
67	0.08	0.36	0.17	5.20	4.85	3.75	2.75	1.11	-0.42	-0.53	-0.01
68	0.13	0.38	0.20	5.24	4.94	3.96	3.04	1.50	-0.33	-0.75	-0.10
69	0.19	0.42	0.24	5.28	5.02	4.16	3.31	1.88	-0.18	-0.95	-0.20
70	0.26	0.46	0.29	5.32	5.09	4.34	3.56	2.25	0.04	-1.12	-0.33
71	0.33	0.51	0.34	5.38	5.16	4.50	3.80	2.61	0.32	-1.25	-0.48
72	0.41	0.57	0.39	5.44	5.23	4.65	4.02	2.96	0.65	-1.30	-0.65
73	0.48	0.63	0.44	5.51	5.29	4.77	4.22	3.27	1.02	-1.28	-0.84
74	0.56	0.70	0.49	5.59	5.35	4.87	4.39	3.55	1.39	-1.19	-1.06
75	0.64	0.77	0.55	5.66	5.38	4.93	4.52	3.77	1.75	-1.04	-1.30
76	0.72	0.84	0.61	5.71	5.40	4.95	4.61	3.94	2.06	-0.87	-1.56
77	0.80	0.92	0.67	5.74	5.37	4.92	4.65	4.05	2.32	-0.70	-1.85
78	0.88	0.99	0.73	5.74	5.31	4.85	4.62	4.09	2.50	-0.56	-2.16
79	0.96	1.07	0.79	5.70	5.20	4.73	4.53	4.05	2.60	-0.47	-2.50
80	1.04	1.16	0.86	5.63	5.05	4.56	4.39	3.95	2.63	-0.43	-2.86
81	1.12	1.24	0.93	5.54	4.88	4.36	4.19	3.79	2.59	-0.44	-3.22
82	1.19	1.32	1.00	5.44	4.69	4.14	3.95	3.57	2.49	-0.49	-3.58
83	1.27	1.40	1.08	5.34	4.51	3.92	3.71	3.32	2.36	-0.55	-3.91
84	1.35	1.49	1.16	5.28	4.37	3.73	3.48	3.07	2.23	-0.60	-4.17
85	1.42	1.57	1.25	5.26	4.30	3.61	3.30	2.85	2.13	-0.61	-4.34
86	1.49	1.65	1.34	5.30	4.32	3.57	3.20	2.69	2.09	-0.55	-4.37
87	1.57	1.73	1.42	5.40	4.42	3.62	3.20	2.60	2.11	-0.40	-4.27
88	1.64	1.81	1.51	5.54	4.60	3.75	3.29	2.60	2.19	-0.19	-4.03
89	1.71	1.89	1.60	5.72	4.83	3.95	3.45	2.67	2.32	0.06	-3.70
90	1.77	1.96	1.69	5.90	5.07	4.18	3.66	2.80	2.47	0.33	-3.31
91	1.84	2.03	1.77	6.06	5.29	4.41	3.88	2.95	2.61	0.57	-2.91
92	1.90	2.10	1.85	6.18	5.47	4.62	4.08	3.11	2.73	0.78	-2.52
93	1.96	2.17	1.93	6.25	5.60	4.79	4.26	3.24	2.81	0.93	-2.18
94	2.02	2.23	2.00	6.25	5.66	4.90	4.38	3.33	2.84	1.01	-1.89
95	2.06	2.29	2.06	6.19	5.65	4.96	4.46	3.38	2.84	1.03	-1.67
96	2.11	2.34	2.11	6.05	5.58	4.96	4.49	3.40	2.80	1.00	-1.52
97	2.15	2.39	2.16	5.85	5.45	4.90	4.47	3.37	2.75	0.93	-1.44
98	2.18	2.43	2.19	5.58	5.26	4.79	4.42	3.32	2.68	0.83	-1.41
99	2.21	2.46	2.22	5.26	5.02	4.63	4.34	3.25	2.61	0.72	-1.44

100	2.22	2.49	2.25	4.90	4.75	4.43	4.22	3.17	2.54	0.60	-1.50
101	2.23	2.52	2.26	4.51	4.46	4.19	4.08	3.07	2.47	0.50	-1.60
102	2.24	2.54	2.27	4.09	4.13	3.93	3.91	2.96	2.40	0.40	-1.71
103	2.23	2.55	2.27	3.65	3.79	3.64	3.72	2.84	2.31	0.31	-1.82
104	2.22	2.56	2.27	3.20	3.43	3.32	3.49	2.70	2.19	0.22	-1.94
105	2.20	2.56	2.27	2.75	3.05	2.98	3.22	2.52	2.04	0.12	-2.06
106	2.17	2.56	2.26	2.30	2.67	2.62	2.91	2.31	1.85	-0.01	-2.17
107	2.14	2.56	2.26	1.87	2.27	2.25	2.57	2.06	1.62	-0.15	-2.28
108	2.10	2.55	2.25	1.46	1.88	1.86	2.20	1.77	1.36	-0.31	-2.40
109	2.06	2.54	2.25	1.11	1.51	1.50	1.81	1.46	1.09	-0.48	-2.53
110	2.00	2.53	2.24	0.85	1.20	1.16	1.44	1.12	0.80	-0.66	-2.66
111	1.95	2.51	2.24	0.71	0.98	0.90	1.10	0.79	0.53	-0.83	-2.81
112	1.89	2.50	2.24	0.70	0.87	0.73	0.83	0.49	0.29	-0.99	-2.96
113	1.83	2.48	2.24	0.84	0.91	0.69	0.67	0.24	0.09	-1.11	-3.11
114	1.77	2.47	2.25	1.12	1.08	0.78	0.62	0.08	-0.06	-1.21	-3.25
115	1.70	2.45	2.25	1.50	1.36	0.99	0.71	0.01	-0.15	-1.27	-3.38
116	1.63	2.44	2.26	1.94	1.73	1.30	0.90	0.05	-0.19	-1.31	-3.48
117	1.57	2.42	2.26	2.41	2.15	1.68	1.18	0.17	-0.17	-1.33	-3.55
118	1.50	2.41	2.26	2.88	2.58	2.09	1.53	0.37	-0.10	-1.33	-3.59
119	1.43	2.39	2.26	3.32	3.00	2.50	1.90	0.62	0.03	-1.30	-3.62
120	1.36	2.37	2.26	3.72	3.40	2.90	2.29	0.90	0.20	-1.26	-3.63
121	1.29	2.35	2.25	4.08	3.77	3.27	2.67	1.21	0.43	-1.20	-3.64
122	1.22	2.33	2.24	4.40	4.11	3.61	3.04	1.53	0.69	-1.11	-3.66
123	1.14	2.30	2.22	4.67	4.41	3.92	3.40	1.85	0.99	-0.98	-3.69
124	1.07	2.28	2.19	4.89	4.67	4.19	3.72	2.16	1.30	-0.83	-3.74
125	0.99	2.24	2.15	5.07	4.89	4.42	4.02	2.47	1.62	-0.64	-3.79
126	0.91	2.20	2.11	5.22	5.08	4.62	4.29	2.77	1.93	-0.43	-3.85
127	0.82	2.15	2.05	5.32	5.22	4.78	4.52	3.04	2.21	-0.20	-3.90
128	0.73	2.10	1.99	5.39	5.33	4.91	4.70	3.28	2.47	0.04	-3.93
129	0.64	2.04	1.92	5.42	5.39	5.00	4.84	3.49	2.69	0.28	-3.93
130	0.53	1.97	1.83	5.42	5.42	5.06	4.94	3.66	2.88	0.50	-3.90
131	0.42	1.89	1.73	5.37	5.40	5.07	4.99	3.79	3.02	0.72	-3.82
132	0.31	1.79	1.63	5.29	5.35	5.06	5.00	3.87	3.12	0.91	-3.70
133	0.18	1.69	1.51	5.18	5.25	5.00	4.96	3.90	3.19	1.08	-3.54
134	0.05	1.58	1.38	5.03	5.12	4.90	4.87	3.90	3.23	1.23	-3.34
135	-0.09	1.46	1.24	4.84	4.95	4.77	4.75	3.84	3.23	1.35	-3.13
136	-0.24	1.32	1.09	4.63	4.75	4.60	4.60	3.75	3.20	1.45	-2.90
137	-0.39	1.18	0.92	4.40	4.53	4.40	4.41	3.63	3.15	1.52	-2.66
138	-0.56	1.02	0.75	4.16	4.30	4.18	4.21	3.47	3.06	1.57	-2.42
139	-0.73	0.85	0.56	3.91	4.06	3.94	3.98	3.29	2.95	1.59	-2.18
140	-0.91	0.67	0.35	3.67	3.82	3.69	3.73	3.09	2.82	1.58	-1.95
141	-1.09	0.48	0.14	3.44	3.59	3.44	3.48	2.87	2.65	1.54	-1.72
142	-1.29	0.28	-0.09	3.24	3.38	3.19	3.22	2.64	2.47	1.47	-1.51
143	-1.48	0.07	-0.34	3.06	3.19	2.96	2.96	2.39	2.26	1.37	-1.30



144	-1.69	-0.15	-0.60	2.92	3.02	2.74	2.70	2.13	2.04	1.24	-1.12
145	-1.89	-0.39	-0.88	2.82	2.89	2.56	2.46	1.87	1.80	1.10	-0.97
146	-2.10	-0.63	-1.17	2.76	2.79	2.41	2.23	1.61	1.57	0.93	-0.84
147	-2.31	-0.88	-1.49	2.73	2.73	2.29	2.02	1.36	1.33	0.74	-0.74
148	-2.53	-1.15	-1.82	2.73	2.71	2.21	1.85	1.11	1.10	0.54	-0.68
149	-2.74	-1.42	-2.17	2.76	2.71	2.16	1.71	0.88	0.88	0.33	-0.67
150	-2.96	-1.70	-2.55	2.81	2.75	2.15	1.62	0.68	0.68	0.11	-0.70
151	-3.17	-1.99	-2.94	2.88	2.82	2.18	1.56	0.51	0.49	-0.11	-0.77
152	-3.39	-2.28	-3.36	2.96	2.90	2.22	1.55	0.38	0.32	-0.33	-0.89
153	-3.60	-2.59	-3.80	3.04	3.00	2.30	1.57	0.29	0.17	-0.55	-1.06
154	-3.81	-2.90	-4.27	3.13	3.11	2.39	1.62	0.23	0.03	-0.77	-1.26
155	-4.02	-3.22	-4.76	3.22	3.23	2.50	1.69	0.21	-0.09	-0.99	-1.51
156	-4.23	-3.54	-5.27	3.31	3.34	2.61	1.78	0.21	-0.20	-1.21	-1.80
157	-4.43	-3.87	-5.80	3.38	3.44	2.73	1.87	0.23	-0.30	-1.42	-2.11
158	-4.63	-4.21	-6.36	3.45	3.54	2.84	1.95	0.26	-0.39	-1.62	-2.45
159	-4.82	-4.55	-6.93	3.51	3.62	2.95	2.04	0.30	-0.46	-1.82	-2.80
160	-5.02	-4.89	-7.53	3.56	3.68	3.05	2.12	0.33	-0.52	-2.00	-3.16
161	-5.20	-5.24	-8.14	3.60	3.74	3.13	2.18	0.37	-0.56	-2.17	-3.53
162	-5.38	-5.59	-8.76	3.62	3.78	3.20	2.24	0.39	-0.58	-2.32	-3.88
163	-5.56	-5.93	-9.39	3.63	3.80	3.25	2.29	0.42	-0.59	-2.46	-4.22
164	-5.72	-6.27	-10.01	3.63	3.81	3.28	2.33	0.44	-0.57	-2.57	-4.54
165	-5.88	-6.61	-10.63	3.63	3.82	3.30	2.37	0.46	-0.54	-2.66	-4.83
166	-6.03	-6.94	-11.22	3.61	3.81	3.31	2.40	0.49	-0.49	-2.71	-5.09
167	-6.17	-7.25	-11.79	3.59	3.80	3.30	2.43	0.53	-0.42	-2.74	-5.32
168	-6.30	-7.56	-12.31	3.57	3.78	3.29	2.46	0.58	-0.34	-2.74	-5.53
169	-6.42	-7.85	-12.78	3.53	3.75	3.27	2.50	0.65	-0.24	-2.71	-5.70
170	-6.53	-8.12	-13.19	3.49	3.72	3.24	2.53	0.73	-0.13	-2.65	-5.85
171	-6.62	-8.36	-13.54	3.45	3.68	3.21	2.57	0.82	-0.02	-2.56	-5.98
172	-6.70	-8.59	-13.81	3.39	3.63	3.18	2.60	0.93	0.11	-2.45	-6.09
173	-6.76	-8.78	-14.02	3.33	3.57	3.14	2.63	1.04	0.23	-2.33	-6.20
174	-6.80	-8.95	-14.16	3.25	3.49	3.09	2.66	1.16	0.35	-2.19	-6.28
175	-6.83	-9.09	-14.24	3.16	3.40	3.04	2.68	1.27	0.46	-2.04	-6.36
176	-6.84	-9.20	-14.27	3.05	3.29	2.98	2.69	1.38	0.57	-1.89	-6.41
177	-6.84	-9.28	-14.26	2.92	3.16	2.91	2.69	1.47	0.67	-1.75	-6.44
178	-6.81	-9.32	-14.20	2.78	3.02	2.82	2.67	1.55	0.75	-1.61	-6.43
179	-6.77	-9.33	-14.10	2.62	2.85	2.71	2.63	1.61	0.82	-1.48	-6.38
180	-6.71	-9.31	-13.96	2.45	2.66	2.58	2.58	1.64	0.87	-1.36	-6.28
181	-6.64	-9.26	-13.77	2.26	2.46	2.44	2.50	1.66	0.91	-1.25	-6.13
182	-6.55	-9.18	-13.55	2.06	2.23	2.26	2.41	1.65	0.93	-1.16	-5.92
183	-6.44	-9.07	-13.29	1.85	1.99	2.07	2.30	1.61	0.94	-1.08	-5.65
184	-6.32	-8.93	-12.98	1.63	1.73	1.85	2.17	1.56	0.93	-1.02	-5.35
185	-6.19	-8.76	-12.62	1.41	1.47	1.60	2.02	1.48	0.90	-0.97	-5.01
186	-6.04	-8.56	-12.23	1.20	1.19	1.34	1.86	1.38	0.85	-0.94	-4.66
187	-5.88	-8.34	-11.80	0.99	0.91	1.06	1.68	1.27	0.78	-0.92	-4.29

188	-5.71	-8.10	-11.33	0.80	0.62	0.77	1.48	1.14	0.69	-0.92	-3.93
189	-5.54	-7.84	-10.83	0.61	0.34	0.46	1.27	1.00	0.59	-0.93	-3.57
190	-5.35	-7.55	-10.31	0.45	0.06	0.14	1.04	0.84	0.46	-0.96	-3.24
191	-5.15	-7.25	-9.77	0.30	-0.22	-0.18	0.79	0.66	0.30	-1.00	-2.92
192	-4.95	-6.94	-9.23	0.17	-0.49	-0.51	0.53	0.46	0.13	-1.06	-2.63
193	-4.75	-6.62	-8.67	0.05	-0.75	-0.83	0.25	0.23	-0.07	-1.13	-2.37
194	-4.54	-6.29	-8.12	-0.05	-1.00	-1.16	-0.05	-0.02	-0.30	-1.22	-2.13
195	-4.33	-5.95	-7.57	-0.15	-1.24	-1.50	-0.37	-0.30	-0.56	-1.32	-1.92
196	-4.11	-5.61	-7.03	-0.25	-1.48	-1.83	-0.71	-0.61	-0.85	-1.45	-1.75
197	-3.89	-5.26	-6.50	-0.36	-1.72	-2.17	-1.07	-0.96	-1.18	-1.58	-1.60
198	-3.67	-4.92	-5.98	-0.48	-1.95	-2.52	-1.46	-1.35	-1.53	-1.73	-1.48
199	-3.46	-4.58	-5.47	-0.61	-2.19	-2.88	-1.88	-1.79	-1.91	-1.89	-1.39
200	-3.24	-4.24	-4.98	-0.77	-2.45	-3.26	-2.32	-2.27	-2.31	-2.06	-1.34
201	-3.02	-3.91	-4.51	-0.95	-2.72	-3.65	-2.79	-2.80	-2.74	-2.23	-1.31
202	-2.81	-3.58	-4.06	-1.16	-3.01	-4.07	-3.29	-3.38	-3.17	-2.40	-1.32
203	-2.60	-3.26	-3.62	-1.40	-3.33	-4.52	-3.82	-4.00	-3.59	-2.55	-1.37
204	-2.39	-2.95	-3.20	-1.67	-3.69	-5.00	-4.37	-4.66	-3.98	-2.69	-1.45
205	-2.18	-2.65	-2.79	-1.98	-4.07	-5.50	-4.95	-5.35	-4.33	-2.80	-1.56
206	-1.98	-2.35	-2.41	-2.31	-4.49	-6.03	-5.54	-6.04	-4.62	-2.88	-1.71
207	-1.78	-2.07	-2.04	-2.68	-4.93	-6.57	-6.14	-6.69	-4.82	-2.93	-1.90
208	-1.59	-1.79	-1.69	-3.07	-5.41	-7.11	-6.73	-7.26	-4.92	-2.94	-2.13
209	-1.40	-1.52	-1.36	-3.47	-5.89	-7.63	-7.27	-7.67	-4.92	-2.91	-2.40
210	-1.21	-1.27	-1.05	-3.89	-6.38	-8.07	-7.75	-7.89	-4.82	-2.85	-2.71
211	-1.03	-1.02	-0.75	-4.32	-6.85	-8.40	-8.12	-7.86	-4.64	-2.76	-3.06
212	-0.86	-0.78	-0.47	-4.73	-7.26	-8.59	-8.34	-7.62	-4.38	-2.65	-3.44
213	-0.69	-0.56	-0.20	-5.12	-7.60	-8.59	-8.39	-7.21	-4.06	-2.52	-3.87
214	-0.52	-0.34	0.05	-5.47	-7.82	-8.43	-8.27	-6.70	-3.70	-2.39	-4.32
215	-0.36	-0.13	0.28	-5.77	-7.91	-8.12	-8.00	-6.14	-3.32	-2.26	-4.78
216	-0.20	0.07	0.50	-5.99	-7.85	-7.72	-7.63	-5.57	-2.93	-2.13	-5.25
217	-0.05	0.25	0.71	-6.12	-7.66	-7.27	-7.19	-5.03	-2.55	-2.01	-5.70
218	0.09	0.43	0.90	-6.16	-7.36	-6.81	-6.72	-4.53	-2.20	-1.90	-6.09
219	0.23	0.60	1.07	-6.10	-6.99	-6.36	-6.25	-4.08	-1.87	-1.82	-6.41
220	0.37	0.76	1.24	-5.97	-6.57	-5.95	-5.81	-3.68	-1.58	-1.75	-6.62
221	0.50	0.92	1.39	-5.77	-6.14	-5.58	-5.40	-3.33	-1.34	-1.71	-6.69
222	0.63	1.06	1.52	-5.52	-5.73	-5.26	-5.04	-3.04	-1.15	-1.68	-6.63
223	0.75	1.19	1.64	-5.26	-5.35	-5.00	-4.73	-2.80	-1.01	-1.68	-6.43
224	0.87	1.32	1.76	-5.00	-5.01	-4.78	-4.48	-2.62	-0.92	-1.69	-6.14
225	0.98	1.44	1.85	-4.77	-4.73	-4.62	-4.29	-2.48	-0.87	-1.72	-5.78
226	1.09	1.55	1.94	-4.57	-4.51	-4.51	-4.15	-2.41	-0.86	-1.76	-5.37
227	1.19	1.66	2.02	-4.42	-4.35	-4.46	-4.07	-2.38	-0.89	-1.80	-4.95
228	1.29	1.76	2.08	-4.33	-4.27	-4.45	-4.05	-2.40	-0.94	-1.85	-4.53
229	1.38	1.85	2.14	-4.30	-4.26	-4.50	-4.08	-2.46	-1.01	-1.89	-4.13
230	1.48	1.94	2.18	-4.34	-4.32	-4.60	-4.15	-2.57	-1.10	-1.93	-3.74
231	1.56	2.02	2.22	-4.45	-4.45	-4.75	-4.27	-2.71	-1.18	-1.95	-3.39

232	1.65	2.10	2.24	-4.62	-4.65	-4.95	-4.42	-2.87	-1.27	-1.96	-3.06
233	1.73	2.17	2.26	-4.85	-4.91	-5.20	-4.59	-3.05	-1.36	-1.94	-2.76
234	1.80	2.24	2.27	-5.13	-5.23	-5.48	-4.77	-3.22	-1.44	-1.91	-2.49
235	1.87	2.30	2.28	-5.47	-5.60	-5.78	-4.95	-3.38	-1.51	-1.84	-2.25
236	1.94	2.36	2.28	-5.84	-5.99	-6.08	-5.11	-3.50	-1.57	-1.76	-2.04
237	2.00	2.41	2.27	-6.23	-6.40	-6.35	-5.24	-3.59	-1.62	-1.64	-1.87
238	2.06	2.46	2.26	-6.64	-6.79	-6.57	-5.31	-3.63	-1.64	-1.51	-1.73
239	2.12	2.51	2.25	-7.04	-7.12	-6.71	-5.33	-3.62	-1.63	-1.36	-1.62
240	2.17	2.55	2.23	-7.42	-7.38	-6.75	-5.30	-3.58	-1.60	-1.20	-1.55
241	2.22	2.59	2.21	-7.74	-7.52	-6.68	-5.20	-3.50	-1.52	-1.03	-1.52
242	2.26	2.63	2.19	-7.98	-7.54	-6.52	-5.06	-3.41	-1.41	-0.87	-1.53
243	2.29	2.66	2.17	-8.13	-7.43	-6.29	-4.89	-3.30	-1.27	-0.72	-1.58
244	2.32	2.69	2.15	-8.14	-7.20	-6.01	-4.71	-3.21	-1.12	-0.60	-1.67
245	2.34	2.72	2.12	-8.02	-6.89	-5.71	-4.52	-3.12	-0.97	-0.50	-1.80
246	2.36	2.74	2.10	-7.76	-6.50	-5.40	-4.36	-3.06	-0.83	-0.44	-1.98
247	2.37	2.75	2.07	-7.37	-6.09	-5.11	-4.22	-3.01	-0.72	-0.42	-2.19
248	2.38	2.77	2.04	-6.88	-5.66	-4.85	-4.12	-3.00	-0.64	-0.44	-2.44
249	2.38	2.78	2.02	-6.33	-5.23	-4.62	-4.07	-3.00	-0.61	-0.51	-2.73
250	2.37	2.78	1.99	-5.75	-4.83	-4.43	-4.07	-3.04	-0.62	-0.62	-3.07
251	2.36	2.78	1.96	-5.17	-4.46	-4.29	-4.13	-3.10	-0.68	-0.77	-3.45
252	2.34	2.78	1.93	-4.61	-4.13	-4.19	-4.26	-3.19	-0.77	-0.95	-3.87
253	2.31	2.77	1.89	-4.10	-3.86	-4.15	-4.46	-3.31	-0.91	-1.18	-4.36
254	2.28	2.76	1.86	-3.65	-3.64	-4.16	-4.73	-3.46	-1.07	-1.43	-4.91
255	2.24	2.74	1.82	-3.27	-3.49	-4.25	-5.09	-3.66	-1.27	-1.73	-5.55
256	2.19	2.72	1.79	-2.95	-3.41	-4.40	-5.52	-3.89	-1.49	-2.07	-6.28
257	2.15	2.70	1.75	-2.72	-3.40	-4.64	-6.05	-4.17	-1.76	-2.46	-7.15
258	2.09	2.67	1.71	-2.56	-3.46	-4.96	-6.68	-4.50	-2.07	-2.91	-8.17
259	2.04	2.64	1.67	-2.48	-3.61	-5.38	-7.41	-4.87	-2.44	-3.43	-9.38
260	1.98	2.61	1.63	-2.47	-3.83	-5.91	-8.25	-5.29	-2.87	-4.03	-10.82
261	1.92	2.57	1.59	-2.52	-4.12	-6.55	-9.22	-5.75	-3.38	-4.73	-12.47
262	1.86	2.54	1.56	-2.63	-4.48	-7.31	-10.29	-6.24	-3.96	-5.51	-14.19
263	1.79	2.50	1.52	-2.79	-4.91	-8.19	-11.46	-6.73	-4.60	-6.37	-15.41
264	1.73	2.47	1.49	-2.99	-5.38	-9.21	-12.68	-7.18	-5.26	-7.27	-15.28
265	1.67	2.43	1.46	-3.21	-5.89	-10.36	-13.84	-7.57	-5.90	-8.13	-13.82
266	1.61	2.39	1.43	-3.44	-6.42	-11.63	-14.78	-7.84	-6.43	-8.83	-11.92
267	1.55	2.35	1.40	-3.67	-6.96	-13.04	-15.30	-7.96	-6.78	-9.25	-10.10
268	1.49	2.31	1.38	-3.90	-7.48	-14.57	-15.33	-7.93	-6.92	-9.31	-8.51
269	1.44	2.28	1.35	-4.10	-7.98	-16.22	-14.94	-7.77	-6.85	-9.04	-7.17
270	1.38	2.24	1.33	-4.30	-8.45	-18.00	-14.31	-7.52	-6.64	-8.54	-6.03
271	1.33	2.20	1.30	-4.48	-8.89	-19.98	-13.59	-7.22	-6.36	-7.93	-5.08
272	1.28	2.15	1.27	-4.67	-9.32	-22.27	-12.86	-6.90	-6.08	-7.30	-4.28
273	1.23	2.11	1.24	-4.86	-9.73	-25.02	-12.18	-6.61	-5.83	-6.68	-3.61
274	1.18	2.06	1.20	-5.07	-10.15	-28.09	-11.53	-6.35	-5.61	-6.08	-3.06
275	1.13	2.01	1.15	-5.30	-10.57	-29.30	-10.92	-6.13	-5.42	-5.52	-2.60

276	1.08	1.96	1.09	-5.57	-11.02	-26.65	-10.34	-5.94	-5.24	-4.98	-2.24
277	1.02	1.90	1.02	-5.87	-11.49	-23.31	-9.79	-5.78	-5.06	-4.47	-1.95
278	0.96	1.84	0.95	-6.21	-11.98	-20.57	-9.26	-5.63	-4.85	-4.00	-1.73
279	0.89	1.77	0.86	-6.59	-12.49	-18.40	-8.76	-5.47	-4.61	-3.56	-1.57
280	0.82	1.70	0.76	-7.01	-13.01	-16.68	-8.28	-5.31	-4.37	-3.17	-1.46
281	0.75	1.62	0.64	-7.46	-13.53	-15.28	-7.83	-5.13	-4.11	-2.82	-1.41
282	0.67	1.54	0.52	-7.95	-14.06	-14.13	-7.42	-4.94	-3.88	-2.54	-1.39
283	0.58	1.45	0.39	-8.47	-14.56	-13.19	-7.03	-4.75	-3.67	-2.31	-1.41
284	0.49	1.35	0.25	-9.03	-15.04	-12.40	-6.69	-4.56	-3.50	-2.14	-1.46
285	0.39	1.25	0.10	-9.63	-15.46	-11.73	-6.38	-4.39	-3.37	-2.03	-1.54
286	0.28	1.15	-0.05	-10.27	-15.80	-11.16	-6.10	-4.24	-3.29	-1.97	-1.64
287	0.18	1.05	-0.20	-10.97	-16.02	-10.64	-5.85	-4.13	-3.25	-1.96	-1.76
288	0.06	0.95	-0.34	-11.74	-16.08	-10.17	-5.63	-4.05	-3.25	-1.99	-1.91
289	-0.05	0.85	-0.47	-12.59	-15.93	-9.71	-5.43	-4.01	-3.27	-2.05	-2.06
290	-0.16	0.76	-0.59	-13.54	-15.56	-9.26	-5.25	-4.01	-3.31	-2.14	-2.23
291	-0.27	0.67	-0.70	-14.59	-14.97	-8.81	-5.09	-4.03	-3.36	-2.26	-2.41
292	-0.37	0.59	-0.78	-15.73	-14.20	-8.34	-4.93	-4.08	-3.41	-2.39	-2.59
293	-0.47	0.52	-0.83	-16.84	-13.32	-7.86	-4.78	-4.15	-3.46	-2.54	-2.77
294	-0.56	0.47	-0.85	-17.69	-12.37	-7.38	-4.63	-4.22	-3.51	-2.69	-2.92
295	-0.64	0.43	-0.85	-17.92	-11.41	-6.88	-4.48	-4.29	-3.57	-2.86	-3.06
296	-0.70	0.41	-0.81	-17.32	-10.47	-6.39	-4.32	-4.35	-3.65	-3.05	-3.16
297	-0.74	0.41	-0.74	-16.11	-9.57	-5.90	-4.15	-4.40	-3.74	-3.24	-3.22
298	-0.77	0.43	-0.65	-14.66	-8.72	-5.43	-3.98	-4.43	-3.85	-3.44	-3.23
299	-0.77	0.46	-0.53	-13.21	-7.92	-4.97	-3.79	-4.45	-3.99	-3.65	-3.19
300	-0.76	0.52	-0.38	-11.86	-7.18	-4.54	-3.60	-4.46	-4.15	-3.85	-3.10
301	-0.72	0.59	-0.22	-10.66	-6.49	-4.13	-3.40	-4.46	-4.34	-4.06	-2.96
302	-0.67	0.68	-0.05	-9.59	-5.85	-3.73	-3.19	-4.47	-4.54	-4.24	-2.79
303	-0.60	0.78	0.13	-8.65	-5.27	-3.37	-2.98	-4.48	-4.75	-4.40	-2.60
304	-0.51	0.90	0.32	-7.81	-4.73	-3.02	-2.77	-4.50	-4.96	-4.53	-2.40
305	-0.40	1.02	0.52	-7.07	-4.22	-2.68	-2.56	-4.52	-5.18	-4.63	-2.20
306	-0.28	1.15	0.72	-6.41	-3.76	-2.37	-2.36	-4.55	-5.38	-4.69	-2.01
307	-0.16	1.29	0.91	-5.82	-3.33	-2.07	-2.16	-4.57	-5.56	-4.72	-1.83
308	-0.02	1.43	1.11	-5.28	-2.93	-1.78	-1.97	-4.58	-5.73	-4.73	-1.69
309	0.12	1.57	1.30	-4.80	-2.56	-1.51	-1.79	-4.58	-5.87	-4.71	-1.56
310	0.27	1.72	1.49	-4.35	-2.22	-1.25	-1.62	-4.54	-5.98	-4.69	-1.47
311	0.42	1.86	1.67	-3.94	-1.90	-1.01	-1.46	-4.47	-6.05	-4.66	-1.41
312	0.57	2.00	1.85	-3.56	-1.60	-0.79	-1.31	-4.35	-6.07	-4.64	-1.38
313	0.72	2.14	2.02	-3.21	-1.33	-0.59	-1.17	-4.19	-6.05	-4.62	-1.39
314	0.87	2.27	2.18	-2.89	-1.08	-0.41	-1.03	-3.99	-5.96	-4.60	-1.43
315	1.02	2.41	2.34	-2.60	-0.86	-0.25	-0.90	-3.75	-5.80	-4.59	-1.50
316	1.17	2.53	2.50	-2.33	-0.66	-0.11	-0.77	-3.49	-5.58	-4.59	-1.61
317	1.31	2.66	2.64	-2.08	-0.48	0.01	-0.65	-3.21	-5.30	-4.58	-1.75
318	1.45	2.77	2.78	-1.86	-0.32	0.11	-0.53	-2.93	-4.96	-4.57	-1.92
319	1.59	2.89	2.91	-1.66	-0.18	0.19	-0.41	-2.63	-4.58	-4.55	-2.12

320	1.73	3.00	3.03	-1.48	-0.07	0.25	-0.29	-2.34	-4.17	-4.53	-2.35
321	1.86	3.11	3.15	-1.33	0.01	0.31	-0.17	-2.05	-3.75	-4.48	-2.61
322	1.98	3.21	3.26	-1.19	0.08	0.35	-0.06	-1.76	-3.34	-4.43	-2.88
323	2.11	3.31	3.36	-1.08	0.12	0.39	0.06	-1.48	-2.94	-4.36	-3.16
324	2.23	3.40	3.46	-0.98	0.14	0.42	0.17	-1.20	-2.57	-4.28	-3.45
325	2.35	3.49	3.54	-0.89	0.15	0.45	0.29	-0.92	-2.23	-4.20	-3.72
326	2.46	3.58	3.62	-0.83	0.13	0.46	0.41	-0.65	-1.93	-4.11	-3.97
327	2.57	3.67	3.70	-0.78	0.10	0.47	0.54	-0.38	-1.66	-4.02	-4.16
328	2.68	3.75	3.76	-0.74	0.05	0.47	0.66	-0.13	-1.44	-3.94	-4.29
329	2.78	3.83	3.82	-0.72	-0.01	0.47	0.78	0.10	-1.26	-3.86	-4.33
330	2.88	3.91	3.87	-0.72	-0.08	0.45	0.90	0.32	-1.10	-3.77	-4.28
331	2.98	3.98	3.92	-0.74	-0.18	0.41	1.02	0.50	-0.98	-3.68	-4.11
332	3.07	4.05	3.96	-0.78	-0.29	0.37	1.13	0.66	-0.88	-3.58	-3.84
333	3.16	4.12	4.00	-0.85	-0.41	0.32	1.22	0.79	-0.80	-3.45	-3.47
334	3.25	4.18	4.03	-0.93	-0.56	0.27	1.31	0.88	-0.74	-3.30	-3.01
335	3.33	4.24	4.05	-1.05	-0.72	0.21	1.38	0.94	-0.69	-3.10	-2.48
336	3.40	4.30	4.07	-1.18	-0.91	0.14	1.44	0.97	-0.64	-2.85	-1.91
337	3.47	4.36	4.09	-1.33	-1.11	0.08	1.48	0.98	-0.60	-2.54	-1.30
338	3.54	4.41	4.11	-1.50	-1.34	0.03	1.51	0.98	-0.56	-2.17	-0.68
339	3.60	4.45	4.12	-1.68	-1.57	-0.03	1.53	0.96	-0.50	-1.73	-0.06
340	3.66	4.50	4.13	-1.87	-1.81	-0.08	1.54	0.95	-0.42	-1.24	0.56
341	3.72	4.54	4.14	-2.05	-2.06	-0.13	1.55	0.94	-0.31	-0.69	1.17
342	3.76	4.57	4.15	-2.23	-2.30	-0.18	1.56	0.94	-0.16	-0.12	1.76
343	3.81	4.61	4.16	-2.38	-2.53	-0.24	1.57	0.95	0.04	0.48	2.33
344	3.85	4.64	4.17	-2.52	-2.75	-0.30	1.58	0.98	0.29	1.08	2.88
345	3.88	4.66	4.17	-2.64	-2.95	-0.37	1.59	1.03	0.58	1.67	3.39
346	3.91	4.69	4.18	-2.72	-3.14	-0.44	1.60	1.10	0.91	2.25	3.88
347	3.94	4.70	4.19	-2.78	-3.31	-0.52	1.60	1.17	1.27	2.80	4.34
348	3.96	4.72	4.20	-2.80	-3.46	-0.61	1.60	1.26	1.64	3.31	4.76
349	3.98	4.73	4.21	-2.79	-3.60	-0.69	1.59	1.35	2.01	3.79	5.15
350	3.99	4.74	4.22	-2.75	-3.73	-0.78	1.58	1.45	2.36	4.22	5.50
351	4.01	4.75	4.22	-2.68	-3.84	-0.87	1.55	1.55	2.69	4.62	5.82
352	4.02	4.76	4.23	-2.58	-3.94	-0.95	1.51	1.64	2.99	4.96	6.10
353	4.02	4.76	4.24	-2.45	-4.02	-1.03	1.46	1.74	3.26	5.27	6.34
354	4.03	4.76	4.25	-2.28	-4.06	-1.11	1.39	1.83	3.49	5.52	6.54
355	4.03	4.76	4.25	-2.09	-4.07	-1.18	1.32	1.91	3.68	5.74	6.71
356	4.03	4.76	4.26	-1.87	-4.04	-1.25	1.24	1.98	3.83	5.91	6.83
357	4.03	4.75	4.26	-1.61	-3.96	-1.32	1.15	2.04	3.94	6.04	6.92
358	4.02	4.75	4.26	-1.33	-3.83	-1.39	1.05	2.07	4.02	6.13	6.97
359	4.02	4.74	4.26	-1.03	-3.63	-1.46	0.94	2.09	4.06	6.17	6.98
Vertical											
0	-22.71	-23.38	-22.23	-34.57	-35.72	-39.38	-40.53	-32.78	-34.57	-34.84	-32.00
1	-24.41	-23.00	-20.45	-28.88	-31.39	-37.70	-38.55	-41.77	-43.58	-31.08	-27.40
2	-27.04	-24.37	-21.21	-29.22	-33.88	-42.02	-49.45	-36.50	-33.51	-26.96	-24.01

3	-26.96	-26.86	-23.94	-34.26	-36.50	-34.13	-35.08	-33.09	-31.60	-34.80	-27.85
4	-24.75	-27.57	-25.70	-36.03	-33.92	-32.77	-31.48	-33.91	-35.17	-29.06	-31.16
5	-23.42	-25.26	-23.16	-33.10	-37.60	-39.78	-34.46	-38.86	-36.37	-24.16	-24.74
6	-22.95	-23.02	-21.02	-36.95	-43.40	-36.72	-50.65	-48.40	-33.21	-27.54	-26.74
7	-22.41	-21.51	-20.45	-45.60	-31.83	-30.23	-33.69	-39.89	-36.44	-33.59	-32.84
8	-21.21	-20.43	-21.02	-32.79	-30.57	-29.84	-31.97	-36.80	-46.07	-23.87	-27.81
9	-19.83	-19.47	-21.77	-31.48	-33.24	-30.02	-33.20	-36.83	-33.53	-23.30	-34.56
10	-18.75	-18.52	-21.46	-36.47	-28.53	-26.22	-28.42	-38.25	-31.46	-28.19	-28.31
11	-17.93	-17.54	-20.19	-33.57	-24.31	-23.75	-25.04	-37.05	-30.51	-25.11	-22.39
12	-17.05	-16.50	-18.89	-27.27	-23.15	-22.88	-24.34	-33.48	-27.05	-21.57	-23.85
13	-15.91	-15.36	-17.76	-24.91	-22.87	-21.07	-23.75	-30.72	-24.72	-21.77	-22.63
14	-14.64	-14.18	-16.60	-23.83	-20.62	-18.16	-21.03	-28.69	-24.00	-21.44	-17.40
15	-13.43	-13.04	-15.20	-21.83	-17.81	-15.94	-18.46	-26.60	-23.22	-18.59	-15.84
16	-12.39	-11.98	-13.62	-19.04	-15.90	-14.55	-16.93	-24.25	-21.53	-16.75	-16.26
17	-11.45	-10.98	-12.08	-16.53	-14.52	-13.33	-15.73	-21.93	-20.03	-16.12	-15.54
18	-10.49	-9.99	-10.72	-14.43	-12.94	-11.79	-14.08	-19.90	-19.16	-15.43	-13.52
19	-9.46	-8.98	-9.57	-12.50	-10.96	-10.06	-12.17	-18.22	-18.55	-14.07	-12.01
20	-8.34	-7.97	-8.59	-10.60	-9.02	-8.53	-10.59	-16.88	-17.81	-12.85	-11.27
21	-7.24	-7.01	-7.73	-8.85	-7.49	-7.41	-9.61	-15.90	-17.02	-12.57	-11.09
22	-6.23	-6.17	-6.99	-7.38	-6.49	-6.74	-9.20	-15.34	-16.60	-13.36	-11.13
23	-5.42	-5.52	-6.40	-6.20	-5.87	-6.35	-9.07	-15.26	-16.92	-14.58	-11.20
24	-4.83	-5.11	-6.01	-5.18	-5.30	-6.04	-8.92	-15.63	-17.90	-14.72	-11.32
25	-4.47	-4.95	-5.89	-4.27	-4.65	-5.75	-8.78	-16.06	-18.48	-13.78	-11.51
26	-4.32	-5.03	-6.06	-3.56	-4.13	-5.67	-8.91	-15.74	-17.51	-13.12	-11.86
27	-4.32	-5.28	-6.51	-3.24	-4.08	-6.00	-9.40	-14.42	-15.88	-13.18	-12.64
28	-4.39	-5.62	-7.13	-3.41	-4.59	-6.65	-9.65	-12.86	-14.67	-13.69	-14.00
29	-4.45	-5.91	-7.72	-3.94	-5.34	-7.06	-8.90	-11.61	-14.09	-14.12	-14.91
30	-4.43	-6.04	-8.06	-4.34	-5.46	-6.65	-7.56	-10.71	-13.89	-14.27	-13.57
31	-4.32	-5.97	-8.10	-4.02	-4.57	-5.67	-6.51	-9.96	-13.50	-14.41	-11.74
32	-4.10	-5.80	-8.07	-3.17	-3.48	-4.76	-5.97	-9.19	-12.60	-14.67	-11.20
33	-3.81	-5.63	-8.27	-2.42	-2.82	-4.15	-5.60	-8.47	-11.68	-14.94	-11.91
34	-3.46	-5.53	-8.88	-2.04	-2.54	-3.71	-5.02	-7.96	-11.32	-14.99	-12.13
35	-3.06	-5.53	-9.98	-1.83	-2.26	-3.30	-4.35	-7.82	-11.58	-14.48	-10.58
36	-2.63	-5.55	-11.32	-1.51	-1.80	-2.96	-4.02	-7.96	-11.85	-13.14	-9.10
37	-2.21	-5.49	-12.15	-1.09	-1.47	-2.90	-4.21	-8.02	-11.23	-11.39	-8.81
38	-1.82	-5.28	-11.72	-0.91	-1.61	-3.15	-4.58	-7.56	-9.94	-10.05	-9.66
39	-1.50	-4.92	-10.58	-1.20	-2.22	-3.41	-4.39	-6.65	-8.81	-9.52	-10.68
40	-1.25	-4.52	-9.60	-1.85	-2.75	-3.24	-3.55	-5.74	-8.12	-9.76	-10.66
41	-1.08	-4.18	-9.18	-2.27	-2.54	-2.67	-2.73	-5.08	-7.73	-10.24	-10.27
42	-0.98	-4.00	-9.37	-2.06	-1.89	-2.08	-2.28	-4.67	-7.40	-10.35	-10.33
43	-0.95	-4.03	-10.14	-1.62	-1.46	-1.66	-1.99	-4.32	-7.04	-10.21	-10.06
44	-0.99	-4.25	-11.37	-1.43	-1.30	-1.26	-1.51	-3.90	-6.72	-10.24	-8.72
45	-1.10	-4.66	-12.78	-1.38	-1.00	-0.67	-0.87	-3.44	-6.47	-10.26	-7.38
46	-1.31	-5.16	-13.87	-1.03	-0.30	0.04	-0.37	-3.06	-6.26	-9.94	-6.79

47	-1.59	-5.66	-14.20	-0.30	0.46	0.62	-0.12	-2.83	-6.10	-9.64	-6.55
48	-1.92	-6.01	-13.86	0.37	0.93	0.96	-0.01	-2.73	-6.04	-9.80	-5.84
49	-2.21	-6.13	-13.25	0.70	1.13	1.14	0.15	-2.74	-6.09	-9.85	-4.65
50	-2.37	-5.99	-12.56	0.82	1.33	1.27	0.31	-2.81	-6.12	-8.84	-3.62
51	-2.34	-5.70	-11.80	1.06	1.65	1.37	0.34	-2.89	-5.97	-7.42	-2.93
52	-2.16	-5.36	-10.93	1.46	1.91	1.39	0.24	-2.89	-5.68	-6.53	-2.32
53	-1.93	-5.05	-9.91	1.74	1.96	1.34	0.20	-2.78	-5.38	-6.07	-1.54
54	-1.73	-4.80	-8.76	1.70	1.89	1.33	0.32	-2.61	-5.06	-5.35	-0.65
55	-1.63	-4.57	-7.54	1.51	1.95	1.41	0.49	-2.46	-4.62	-4.30	0.12
56	-1.64	-4.31	-6.32	1.52	2.17	1.55	0.60	-2.30	-4.06	-3.42	0.66
57	-1.72	-3.95	-5.20	1.79	2.33	1.68	0.65	-2.06	-3.56	-2.93	1.09
58	-1.78	-3.47	-4.24	2.01	2.31	1.77	0.73	-1.76	-3.27	-2.57	1.51
59	-1.76	-2.91	-3.45	1.94	2.20	1.83	0.78	-1.55	-3.21	-2.15	1.85
60	-1.63	-2.33	-2.81	1.66	2.17	1.82	0.71	-1.54	-3.28	-1.87	1.96
61	-1.42	-1.79	-2.26	1.46	2.17	1.72	0.53	-1.75	-3.37	-1.89	1.93
62	-1.18	-1.31	-1.75	1.43	2.05	1.55	0.34	-2.08	-3.52	-1.98	2.07
63	-0.94	-0.89	-1.25	1.35	1.79	1.38	0.16	-2.45	-3.77	-1.86	2.39
64	-0.71	-0.52	-0.74	1.08	1.52	1.20	-0.17	-2.93	-4.11	-1.69	2.58
65	-0.48	-0.15	-0.26	0.68	1.34	0.84	-0.76	-3.64	-4.46	-1.78	2.46
66	-0.23	0.24	0.17	0.34	1.04	0.19	-1.59	-4.59	-4.84	-2.12	2.27
67	0.04	0.65	0.55	0.03	0.40	-0.71	-2.53	-5.70	-5.33	-2.40	2.25
68	0.35	1.08	0.87	-0.46	-0.53	-1.66	-3.56	-6.82	-5.95	-2.53	2.21
69	0.68	1.49	1.18	-1.18	-1.46	-2.55	-4.80	-7.91	-6.51	-2.74	1.89
70	1.01	1.87	1.47	-1.87	-2.13	-3.48	-6.27	-9.00	-6.94	-3.14	1.48
71	1.34	2.21	1.75	-2.28	-2.71	-4.60	-7.77	-10.10	-7.45	-3.43	1.28
72	1.65	2.50	2.01	-2.49	-3.39	-5.83	-9.32	-11.19	-8.03	-3.46	1.16
73	1.93	2.75	2.24	-2.73	-4.08	-7.00	-11.45	-11.93	-8.16	-3.41	0.81
74	2.19	2.97	2.45	-2.90	-4.59	-8.28	-14.22	-11.66	-7.54	-3.41	0.35
75	2.43	3.18	2.65	-2.80	-5.08	-9.93	-14.71	-10.34	-6.73	-3.21	0.22
76	2.65	3.37	2.85	-2.54	-5.72	-11.37	-12.31	-8.82	-6.03	-2.59	0.41
77	2.85	3.55	3.06	-2.41	-6.21	-11.26	-10.41	-7.55	-5.12	-1.73	0.62
78	3.05	3.72	3.25	-2.44	-6.18	-10.34	-9.17	-6.43	-3.87	-0.87	0.88
79	3.25	3.88	3.42	-2.39	-5.97	-9.82	-7.84	-5.21	-2.63	-0.12	1.29
80	3.44	4.02	3.56	-2.15	-6.06	-9.35	-6.22	-3.93	-1.64	0.60	1.79
81	3.62	4.14	3.68	-1.92	-6.33	-8.17	-4.69	-2.80	-0.82	1.40	2.39
82	3.76	4.25	3.79	-1.88	-6.25	-6.62	-3.50	-1.91	0.02	2.28	3.15
83	3.87	4.34	3.90	-1.98	-5.72	-5.41	-2.61	-1.20	0.85	3.11	3.99
84	3.95	4.42	3.99	-1.96	-5.17	-4.61	-1.89	-0.51	1.57	3.83	4.70
85	4.00	4.50	4.06	-1.73	-4.76	-3.96	-1.22	0.20	2.22	4.43	5.26
86	4.04	4.57	4.09	-1.43	-4.33	-3.28	-0.56	0.86	2.86	4.98	5.77
87	4.06	4.63	4.10	-1.20	-3.88	-2.62	0.04	1.40	3.43	5.45	6.28
88	4.07	4.68	4.12	-1.07	-3.61	-2.12	0.51	1.77	3.80	5.79	6.67
89	4.06	4.72	4.17	-1.01	-3.59	-1.75	0.81	1.99	3.97	6.02	6.89
90	4.02	4.74	4.26	-1.03	-3.63	-1.46	0.94	2.09	4.06	6.17	6.98

91	3.95	4.75	4.37	-1.11	-3.55	-1.26	0.95	2.09	4.19	6.27	7.05
92	3.87	4.75	4.46	-1.22	-3.46	-1.26	0.83	1.98	4.27	6.23	7.07
93	3.79	4.73	4.48	-1.32	-3.64	-1.51	0.57	1.76	4.14	6.01	6.88
94	3.72	4.69	4.43	-1.41	-4.17	-1.93	0.17	1.42	3.77	5.65	6.44
95	3.66	4.62	4.31	-1.58	-4.88	-2.44	-0.31	0.96	3.30	5.24	5.87
96	3.59	4.52	4.16	-1.89	-5.55	-3.03	-0.86	0.36	2.86	4.77	5.34
97	3.50	4.39	4.03	-2.30	-6.24	-3.82	-1.58	-0.38	2.32	4.11	4.73
98	3.38	4.24	3.93	-2.70	-7.25	-4.90	-2.56	-1.25	1.52	3.21	3.79
99	3.24	4.10	3.86	-3.02	-8.65	-6.19	-3.72	-2.17	0.52	2.18	2.58
100	3.10	3.99	3.80	-3.27	-10.11	-7.48	-4.80	-3.11	-0.38	1.20	1.56
101	3.00	3.91	3.73	-3.50	-11.03	-8.74	-5.71	-4.16	-1.16	0.14	0.80
102	2.95	3.86	3.64	-3.71	-11.24	-10.25	-6.86	-5.64	-2.36	-1.40	-0.50
103	2.93	3.81	3.54	-3.87	-11.04	-12.45	-8.84	-8.07	-4.67	-3.92	-3.07
104	2.92	3.74	3.43	-3.96	-10.70	-15.61	-12.13	-12.32	-8.80	-7.94	-6.01
105	2.88	3.62	3.28	-4.01	-10.43	-19.01	-16.90	-21.59	-15.30	-14.03	-5.47
106	2.78	3.44	3.09	-4.03	-10.15	-19.07	-19.61	-21.87	-16.92	-16.73	-3.64
107	2.61	3.21	2.83	-4.04	-9.53	-16.02	-15.79	-13.61	-13.14	-11.49	-2.41
108	2.40	2.95	2.52	-3.98	-8.45	-12.84	-11.57	-9.70	-9.93	-7.20	-0.82
109	2.18	2.69	2.16	-3.82	-7.28	-10.13	-8.37	-6.95	-6.78	-4.01	1.17
110	1.99	2.44	1.81	-3.64	-6.37	-7.96	-6.14	-4.77	-4.15	-1.67	2.79
111	1.85	2.22	1.48	-3.53	-5.74	-6.33	-4.66	-3.09	-2.27	0.02	3.84
112	1.76	2.01	1.20	-3.51	-5.20	-5.14	-3.63	-1.85	-0.95	1.26	4.57
113	1.68	1.78	0.91	-3.50	-4.58	-4.27	-2.80	-0.97	0.05	2.22	5.23
114	1.58	1.51	0.58	-3.39	-3.94	-3.59	-2.07	-0.30	0.86	2.95	5.79
115	1.42	1.18	0.15	-3.13	-3.44	-3.06	-1.53	0.25	1.49	3.46	6.12
116	1.20	0.78	-0.40	-2.78	-3.16	-2.68	-1.22	0.68	1.94	3.78	6.24
117	0.93	0.34	-1.06	-2.47	-3.01	-2.47	-1.07	0.97	2.23	3.97	6.26
118	0.63	-0.12	-1.75	-2.27	-2.86	-2.39	-0.97	1.09	2.40	4.10	6.24
119	0.33	-0.60	-2.43	-2.17	-2.63	-2.39	-0.86	1.12	2.48	4.20	6.15
120	0.06	-1.06	-3.03	-2.05	-2.38	-2.37	-0.81	1.10	2.49	4.25	5.91
121	-0.17	-1.51	-3.56	-1.83	-2.18	-2.30	-0.92	1.04	2.45	4.20	5.56
122	-0.36	-1.94	-4.07	-1.51	-2.06	-2.20	-1.21	0.93	2.38	4.07	5.17
123	-0.53	-2.37	-4.62	-1.18	-1.95	-2.14	-1.55	0.73	2.29	3.90	4.78
124	-0.69	-2.79	-5.25	-0.91	-1.74	-2.15	-1.79	0.46	2.17	3.72	4.35
125	-0.86	-3.21	-6.00	-0.71	-1.44	-2.22	-1.89	0.17	1.96	3.54	3.88
126	-1.03	-3.60	-6.85	-0.55	-1.13	-2.25	-1.90	-0.07	1.67	3.30	3.42
127	-1.19	-3.96	-7.78	-0.35	-0.92	-2.19	-1.93	-0.26	1.34	3.03	3.02
128	-1.35	-4.29	-8.76	-0.11	-0.84	-1.99	-2.00	-0.47	1.01	2.77	2.73
129	-1.48	-4.60	-9.77	0.08	-0.82	-1.72	-2.04	-0.74	0.73	2.58	2.54
130	-1.60	-4.90	-10.79	0.16	-0.77	-1.43	-1.97	-1.07	0.46	2.44	2.43
131	-1.70	-5.19	-11.80	0.08	-0.61	-1.16	-1.78	-1.40	0.18	2.29	2.39
132	-1.82	-5.49	-12.77	-0.09	-0.38	-0.93	-1.56	-1.64	-0.13	2.06	2.41
133	-1.94	-5.77	-13.66	-0.23	-0.13	-0.69	-1.42	-1.76	-0.42	1.77	2.46
134	-2.09	-6.03	-14.40	-0.24	0.09	-0.45	-1.38	-1.79	-0.70	1.49	2.47



135	-2.25	-6.24	-14.92	-0.11	0.26	-0.23	-1.41	-1.78	-0.99	1.28	2.40
136	-2.43	-6.38	-15.17	0.08	0.38	-0.08	-1.45	-1.79	-1.30	1.12	2.26
137	-2.60	-6.46	-15.13	0.23	0.46	-0.01	-1.43	-1.83	-1.63	0.92	2.08
138	-2.75	-6.47	-14.83	0.28	0.48	-0.02	-1.35	-1.87	-1.91	0.62	1.92
139	-2.87	-6.44	-14.34	0.25	0.44	-0.08	-1.25	-1.88	-2.03	0.21	1.79
140	-2.96	-6.40	-13.72	0.20	0.37	-0.17	-1.15	-1.84	-1.98	-0.22	1.64
141	-3.03	-6.36	-13.08	0.17	0.30	-0.27	-1.06	-1.76	-1.83	-0.59	1.45
142	-3.07	-6.32	-12.47	0.20	0.26	-0.38	-0.99	-1.67	-1.72	-0.86	1.21
143	-3.12	-6.28	-11.92	0.26	0.24	-0.50	-0.95	-1.58	-1.71	-1.10	0.89
144	-3.18	-6.24	-11.43	0.31	0.23	-0.65	-0.98	-1.48	-1.77	-1.37	0.52
145	-3.27	-6.16	-11.01	0.30	0.24	-0.77	-1.05	-1.38	-1.81	-1.66	0.13
146	-3.41	-6.06	-10.63	0.20	0.27	-0.83	-1.14	-1.26	-1.73	-1.88	-0.24
147	-3.60	-5.93	-10.28	0.02	0.35	-0.81	-1.16	-1.14	-1.50	-1.91	-0.52
148	-3.83	-5.78	-9.94	-0.17	0.45	-0.71	-1.08	-1.00	-1.21	-1.69	-0.67
149	-4.07	-5.63	-9.59	-0.28	0.53	-0.56	-0.91	-0.85	-0.97	-1.34	-0.70
150	-4.31	-5.51	-9.23	-0.27	0.54	-0.40	-0.72	-0.69	-0.83	-1.02	-0.64
151	-4.51	-5.40	-8.85	-0.11	0.46	-0.26	-0.56	-0.50	-0.77	-0.86	-0.58
152	-4.65	-5.33	-8.51	0.12	0.32	-0.15	-0.47	-0.31	-0.71	-0.88	-0.62
153	-4.73	-5.29	-8.22	0.34	0.20	-0.09	-0.42	-0.15	-0.54	-1.00	-0.79
154	-4.78	-5.27	-8.02	0.47	0.20	-0.05	-0.36	-0.04	-0.26	-1.10	-1.05
155	-4.82	-5.28	-7.88	0.48	0.35	-0.02	-0.26	0.00	0.06	-1.11	-1.33
156	-4.89	-5.31	-7.76	0.39	0.57	0.00	-0.13	-0.03	0.31	-1.07	-1.56
157	-5.01	-5.35	-7.58	0.28	0.78	0.01	-0.03	-0.08	0.42	-1.05	-1.74
158	-5.19	-5.39	-7.29	0.21	0.89	0.01	0.01	-0.12	0.39	-1.14	-1.99
159	-5.38	-5.42	-6.87	0.23	0.87	-0.01	-0.05	-0.14	0.26	-1.31	-2.42
160	-5.55	-5.43	-6.39	0.31	0.79	-0.04	-0.20	-0.13	0.08	-1.51	-3.08
161	-5.66	-5.41	-5.94	0.39	0.68	-0.09	-0.42	-0.15	-0.12	-1.66	-3.85
162	-5.67	-5.38	-5.62	0.42	0.59	-0.16	-0.67	-0.23	-0.32	-1.79	-4.54
163	-5.60	-5.35	-5.45	0.35	0.50	-0.25	-0.94	-0.43	-0.58	-2.00	-5.06
164	-5.50	-5.35	-5.43	0.21	0.37	-0.36	-1.22	-0.76	-0.93	-2.38	-5.54
165	-5.44	-5.40	-5.53	0.04	0.17	-0.51	-1.53	-1.19	-1.36	-2.93	-6.22
166	-5.48	-5.52	-5.70	-0.12	-0.08	-0.68	-1.86	-1.67	-1.84	-3.54	-7.26
167	-5.65	-5.72	-5.87	-0.29	-0.33	-0.89	-2.21	-2.15	-2.32	-4.10	-8.52
168	-5.96	-5.97	-5.97	-0.49	-0.53	-1.09	-2.56	-2.60	-2.77	-4.55	-9.71
169	-6.37	-6.24	-5.93	-0.79	-0.67	-1.29	-2.87	-3.04	-3.23	-4.98	-10.70
170	-6.81	-6.48	-5.79	-1.19	-0.80	-1.49	-3.11	-3.54	-3.78	-5.47	-11.68
171	-7.17	-6.66	-5.62	-1.68	-0.99	-1.72	-3.30	-4.12	-4.50	-6.08	-12.91
172	-7.37	-6.74	-5.49	-2.21	-1.30	-2.02	-3.51	-4.76	-5.39	-6.77	-14.10
173	-7.39	-6.75	-5.44	-2.70	-1.73	-2.40	-3.83	-5.40	-6.31	-7.52	-14.64
174	-7.29	-6.74	-5.46	-3.13	-2.24	-2.84	-4.28	-5.95	-7.08	-8.32	-14.83
175	-7.17	-6.80	-5.57	-3.55	-2.75	-3.26	-4.81	-6.39	-7.65	-9.09	-15.28
176	-7.18	-7.00	-5.78	-4.02	-3.22	-3.58	-5.29	-6.82	-8.14	-9.67	-15.43
177	-7.42	-7.37	-6.11	-4.63	-3.66	-3.77	-5.55	-7.33	-8.77	-9.95	-14.17
178	-7.95	-7.94	-6.54	-5.38	-4.08	-3.85	-5.54	-7.96	-9.66	-10.13	-11.93

179	-8.79	-8.68	-7.03	-6.19	-4.49	-3.93	-5.36	-8.59	-10.74	-10.64	-9.99
180	-9.87	-9.50	-7.56	-6.93	-4.88	-4.08	-5.18	-9.03	-11.73	-11.80	-8.96
181	-11.02	-10.26	-8.11	-7.44	-5.18	-4.32	-5.14	-9.16	-12.31	-13.59	-8.81
182	-11.98	-10.81	-8.63	-7.60	-5.35	-4.61	-5.27	-9.05	-12.50	-15.30	-9.02
183	-12.43	-11.01	-8.94	-7.46	-5.33	-4.87	-5.47	-8.89	-12.60	-15.80	-9.05
184	-12.26	-10.85	-8.93	-7.19	-5.18	-5.04	-5.62	-8.79	-12.89	-15.19	-8.89
185	-11.62	-10.44	-8.69	-6.98	-4.96	-5.09	-5.61	-8.75	-13.40	-14.42	-8.83
186	-10.80	-9.98	-8.50	-6.91	-4.74	-5.04	-5.43	-8.68	-13.91	-13.99	-9.04
187	-10.10	-9.64	-8.58	-6.91	-4.59	-4.92	-5.12	-8.43	-14.13	-14.18	-9.47
188	-9.68	-9.54	-9.03	-6.90	-4.52	-4.75	-4.77	-7.97	-13.99	-15.24	-9.78
189	-9.65	-9.75	-9.84	-6.78	-4.54	-4.53	-4.45	-7.38	-13.64	-17.40	-9.81
190	-10.03	-10.30	-10.88	-6.55	-4.65	-4.24	-4.21	-6.81	-13.24	-20.53	-9.82
191	-10.77	-11.16	-11.98	-6.27	-4.83	-3.92	-4.07	-6.38	-12.75	-22.01	-10.08
192	-11.78	-12.29	-12.89	-6.04	-5.04	-3.65	-4.04	-6.08	-12.08	-19.24	-10.49
193	-12.90	-13.57	-13.44	-5.96	-5.20	-3.51	-4.08	-5.85	-11.20	-15.80	-10.83
194	-13.94	-14.90	-13.73	-6.10	-5.29	-3.57	-4.13	-5.61	-10.21	-13.03	-10.98
195	-14.71	-16.17	-13.99	-6.48	-5.33	-3.80	-4.13	-5.37	-9.23	-10.99	-10.93
196	-15.18	-17.38	-14.49	-7.05	-5.41	-4.14	-4.10	-5.21	-8.36	-9.63	-10.55
197	-15.46	-18.64	-15.41	-7.75	-5.64	-4.48	-4.10	-5.22	-7.67	-8.82	-9.74
198	-15.71	-20.09	-16.77	-8.45	-6.02	-4.77	-4.22	-5.42	-7.21	-8.36	-8.65
199	-16.09	-21.85	-18.42	-9.10	-6.46	-5.01	-4.51	-5.76	-7.03	-8.00	-7.55
200	-16.70	-23.65	-19.96	-9.70	-6.86	-5.26	-4.93	-6.12	-7.15	-7.63	-6.65
201	-17.58	-24.38	-20.80	-10.30	-7.16	-5.60	-5.37	-6.45	-7.52	-7.28	-6.02
202	-18.75	-23.41	-20.66	-10.88	-7.48	-6.04	-5.74	-6.80	-8.03	-6.98	-5.70
203	-20.24	-21.85	-19.77	-11.39	-7.97	-6.53	-6.05	-7.29	-8.52	-6.70	-5.66
204	-22.15	-20.48	-18.46	-11.81	-8.71	-6.99	-6.40	-7.92	-8.90	-6.47	-5.76
205	-24.73	-19.27	-17.01	-12.29	-9.62	-7.32	-6.84	-8.55	-9.20	-6.40	-5.85
206	-28.52	-17.94	-15.61	-13.09	-10.47	-7.53	-7.36	-8.92	-9.54	-6.59	-5.87
207	-34.51	-16.36	-14.37	-14.35	-11.03	-7.69	-7.79	-8.93	-9.99	-6.96	-5.93
208	-35.50	-14.69	-13.33	-15.70	-11.34	-7.89	-7.97	-8.71	-10.45	-7.19	-6.09
209	-29.44	-13.14	-12.46	-15.89	-11.54	-8.20	-7.83	-8.51	-10.70	-6.96	-6.30
210	-25.57	-11.84	-11.69	-14.53	-11.68	-8.62	-7.50	-8.44	-10.53	-6.27	-6.47
211	-23.00	-10.84	-10.94	-12.97	-11.64	-9.02	-7.21	-8.46	-9.90	-5.47	-6.50
212	-21.11	-10.11	-10.15	-12.00	-11.40	-9.15	-7.11	-8.36	-8.99	-4.85	-6.29
213	-19.60	-9.58	-9.34	-11.55	-11.11	-8.95	-7.25	-7.99	-8.04	-4.43	-5.80
214	-18.33	-9.16	-8.57	-11.26	-10.83	-8.58	-7.52	-7.42	-7.21	-4.01	-5.07
215	-17.22	-8.75	-7.88	-10.76	-10.34	-8.29	-7.71	-6.87	-6.52	-3.50	-4.19
216	-16.26	-8.27	-7.31	-10.06	-9.48	-8.14	-7.61	-6.51	-5.90	-3.02	-3.31
217	-15.48	-7.74	-6.86	-9.39	-8.52	-8.06	-7.26	-6.37	-5.33	-2.66	-2.50
218	-14.90	-7.21	-6.50	-8.81	-7.86	-7.82	-6.86	-6.30	-4.84	-2.37	-1.80
219	-14.51	-6.79	-6.17	-8.21	-7.65	-7.29	-6.57	-6.13	-4.48	-2.04	-1.22
220	-14.30	-6.53	-5.84	-7.53	-7.61	-6.56	-6.27	-5.81	-4.29	-1.72	-0.73
221	-14.21	-6.43	-5.50	-6.93	-7.25	-5.83	-5.75	-5.47	-4.19	-1.56	-0.29
222	-14.18	-6.46	-5.17	-6.59	-6.46	-5.27	-5.01	-5.26	-4.06	-1.58	0.14

223	-14.14	-6.55	-4.91	-6.49	-5.67	-4.92	-4.35	-5.16	-3.86	-1.67	0.52
224	-14.07	-6.58	-4.74	-6.44	-5.22	-4.66	-3.95	-5.02	-3.73	-1.80	0.76
225	-13.98	-6.51	-4.69	-6.30	-5.06	-4.31	-3.72	-4.65	-3.80	-2.06	0.77
226	-13.89	-6.35	-4.73	-6.16	-4.90	-3.79	-3.36	-4.10	-3.94	-2.51	0.57
227	-13.85	-6.18	-4.82	-6.19	-4.58	-3.22	-2.76	-3.52	-3.85	-3.01	0.27
228	-13.89	-6.11	-4.88	-6.40	-4.24	-2.81	-2.18	-3.00	-3.39	-3.43	-0.07
229	-14.01	-6.21	-4.89	-6.67	-4.11	-2.60	-1.82	-2.51	-2.80	-3.85	-0.56
230	-14.20	-6.51	-4.86	-6.89	-4.19	-2.51	-1.68	-1.96	-2.27	-4.15	-1.33
231	-14.40	-6.98	-4.87	-7.15	-4.28	-2.39	-1.53	-1.40	-1.72	-3.85	-2.32
232	-14.52	-7.52	-5.00	-7.48	-4.24	-2.22	-1.23	-0.92	-1.01	-2.95	-3.16
233	-14.49	-8.03	-5.30	-7.70	-4.16	-2.08	-0.90	-0.59	-0.24	-2.04	-3.57
234	-14.28	-8.39	-5.80	-7.65	-4.17	-2.07	-0.72	-0.36	0.37	-1.25	-3.59
235	-13.95	-8.60	-6.42	-7.54	-4.31	-2.18	-0.73	-0.16	0.75	-0.38	-3.20
236	-13.61	-8.75	-7.07	-7.74	-4.49	-2.36	-0.84	-0.02	0.99	0.58	-2.32
237	-13.36	-8.96	-7.63	-8.28	-4.68	-2.56	-1.01	-0.02	1.19	1.36	-1.18
238	-13.26	-9.29	-8.10	-8.77	-4.94	-2.84	-1.25	-0.21	1.30	1.85	-0.11
239	-13.29	-9.76	-8.58	-9.00	-5.41	-3.21	-1.58	-0.50	1.25	2.15	0.73
240	-13.36	-10.33	-9.18	-9.35	-6.18	-3.69	-1.94	-0.79	1.05	2.34	1.37
241	-13.33	-10.91	-10.01	-10.17	-7.30	-4.37	-2.34	-1.09	0.83	2.41	1.79
242	-13.04	-11.38	-11.02	-10.98	-8.67	-5.36	-2.95	-1.56	0.61	2.30	2.02
243	-12.44	-11.68	-12.09	-10.92	-9.99	-6.78	-4.00	-2.33	0.24	2.08	2.16
244	-11.64	-11.78	-13.01	-10.48	-11.00	-8.51	-5.50	-3.42	-0.42	1.83	2.32
245	-10.80	-11.69	-13.75	-10.64	-11.94	-10.26	-7.31	-4.83	-1.35	1.46	2.49
246	-10.04	-11.44	-14.50	-10.97	-12.89	-11.91	-9.46	-6.70	-2.48	0.90	2.48
247	-9.39	-11.04	-15.36	-9.96	-12.66	-13.24	-12.35	-9.47	-3.95	0.15	2.25
248	-8.85	-10.55	-15.99	-7.99	-10.74	-12.93	-14.75	-13.79	-6.10	-0.74	1.90
249	-8.41	-10.04	-15.69	-6.44	-8.66	-10.75	-12.74	-19.98	-9.49	-1.87	1.55
250	-8.04	-9.60	-14.53	-5.43	-7.04	-8.49	-9.97	-18.40	-15.01	-3.43	1.06
251	-7.73	-9.28	-13.35	-4.48	-5.56	-6.69	-8.15	-12.92	-24.89	-5.42	0.21
252	-7.47	-9.08	-12.68	-3.28	-4.02	-5.08	-6.40	-8.97	-17.80	-7.83	-1.07
253	-7.26	-8.98	-12.62	-2.09	-2.61	-3.51	-4.38	-6.18	-11.30	-11.02	-2.64
254	-7.08	-8.93	-13.06	-1.11	-1.51	-2.10	-2.61	-4.27	-7.52	-14.76	-4.41
255	-6.92	-8.89	-13.72	-0.26	-0.61	-0.91	-1.38	-2.92	-5.13	-14.03	-6.55
256	-6.76	-8.83	-14.12	0.60	0.31	0.12	-0.44	-1.73	-3.48	-10.85	-9.24
257	-6.62	-8.73	-13.91	1.40	1.29	1.07	0.52	-0.55	-2.10	-8.28	-12.11
258	-6.51	-8.64	-13.31	1.98	2.10	1.87	1.51	0.50	-0.87	-5.86	-13.59
259	-6.42	-8.57	-12.74	2.29	2.59	2.38	2.22	1.24	0.04	-3.93	-12.40
260	-6.37	-8.54	-12.44	2.48	2.79	2.58	2.51	1.64	0.52	-2.93	-10.08
261	-6.30	-8.51	-12.37	2.71	2.87	2.62	2.54	1.86	0.71	-2.75	-8.23
262	-6.21	-8.47	-12.38	2.99	2.98	2.70	2.65	2.03	0.88	-2.75	-7.18
263	-6.05	-8.40	-12.29	3.18	3.07	2.90	2.93	2.17	1.17	-2.33	-6.68
264	-5.86	-8.32	-12.15	3.20	3.08	3.11	3.18	2.24	1.49	-1.73	-6.45
265	-5.69	-8.27	-12.12	3.11	3.05	3.22	3.22	2.25	1.67	-1.37	-6.33
266	-5.63	-8.31	-12.36	2.99	3.09	3.23	3.11	2.24	1.69	-1.24	-6.12

267	-5.72	-8.46	-12.89	2.90	3.18	3.18	3.01	2.20	1.64	-1.15	-5.69
268	-5.98	-8.72	-13.54	2.81	3.20	3.09	2.96	2.07	1.49	-1.10	-5.37
269	-6.36	-9.04	-14.01	2.72	3.06	2.92	2.85	1.83	1.20	-1.22	-5.63
270	-6.77	-9.33	-14.10	2.62	2.85	2.71	2.63	1.61	0.82	-1.48	-6.38
271	-7.09	-9.50	-13.89	2.45	2.67	2.52	2.44	1.50	0.50	-1.72	-7.00
272	-7.23	-9.50	-13.59	2.14	2.46	2.35	2.33	1.41	0.32	-1.92	-7.20
273	-7.22	-9.33	-13.29	1.71	2.12	2.08	2.18	1.17	0.17	-2.14	-7.44
274	-7.14	-9.09	-12.92	1.27	1.60	1.64	1.85	0.77	-0.07	-2.31	-7.69
275	-7.07	-8.83	-12.42	0.92	1.03	1.09	1.41	0.34	-0.39	-2.40	-7.50
276	-7.02	-8.58	-11.80	0.58	0.55	0.58	1.01	-0.03	-0.66	-2.48	-7.06
277	-6.99	-8.35	-11.19	0.12	0.12	0.20	0.71	-0.38	-0.86	-2.53	-6.79
278	-6.92	-8.11	-10.68	-0.49	-0.40	-0.15	0.39	-0.84	-1.10	-2.54	-6.41
279	-6.81	-7.84	-10.31	-1.11	-1.02	-0.58	-0.09	-1.42	-1.48	-2.61	-5.59
280	-6.69	-7.55	-10.04	-1.64	-1.64	-1.10	-0.71	-1.99	-1.94	-2.95	-4.76
281	-6.62	-7.26	-9.77	-2.14	-2.18	-1.63	-1.34	-2.46	-2.38	-3.63	-4.56
282	-6.63	-7.01	-9.45	-2.79	-2.69	-2.12	-1.91	-2.85	-2.77	-4.36	-5.01
283	-6.75	-6.85	-9.07	-3.58	-3.25	-2.61	-2.48	-3.24	-3.16	-4.71	-5.46
284	-6.93	-6.79	-8.69	-4.33	-3.84	-3.17	-3.07	-3.58	-3.58	-4.75	-5.37
285	-7.11	-6.85	-8.41	-4.85	-4.36	-3.85	-3.61	-3.80	-3.93	-4.82	-5.16
286	-7.21	-7.02	-8.30	-5.21	-4.81	-4.60	-4.08	-3.95	-4.13	-4.94	-5.12
287	-7.20	-7.27	-8.41	-5.55	-5.30	-5.34	-4.58	-4.16	-4.27	-4.88	-4.75
288	-7.10	-7.53	-8.69	-5.80	-5.74	-5.94	-5.10	-4.50	-4.53	-4.63	-3.80
289	-6.97	-7.73	-9.05	-5.85	-5.90	-6.21	-5.45	-4.86	-4.92	-4.38	-2.86
290	-6.82	-7.79	-9.32	-5.76	-5.75	-6.17	-5.42	-5.12	-5.28	-4.24	-2.32
291	-6.66	-7.72	-9.30	-5.77	-5.58	-5.96	-5.15	-5.27	-5.45	-4.10	-1.95
292	-6.46	-7.54	-8.98	-6.01	-5.63	-5.77	-4.94	-5.41	-5.38	-3.85	-1.48
293	-6.20	-7.34	-8.52	-6.36	-5.86	-5.63	-4.92	-5.51	-5.20	-3.54	-1.04
294	-5.93	-7.21	-8.13	-6.68	-6.05	-5.51	-4.99	-5.57	-5.02	-3.27	-0.83
295	-5.71	-7.20	-8.00	-6.95	-6.13	-5.41	-5.06	-5.61	-4.89	-3.07	-0.65
296	-5.60	-7.35	-8.23	-7.33	-6.22	-5.45	-5.16	-5.74	-4.86	-3.02	-0.29
297	-5.68	-7.65	-8.83	-7.86	-6.50	-5.72	-5.41	-5.95	-4.96	-3.24	-0.06
298	-5.94	-8.06	-9.73	-8.27	-6.93	-6.17	-5.75	-6.04	-5.13	-3.73	-0.37
299	-6.35	-8.45	-10.67	-8.37	-7.26	-6.60	-5.97	-5.86	-5.20	-4.18	-1.13
300	-6.80	-8.70	-11.21	-8.48	-7.47	-6.97	-6.01	-5.65	-5.18	-4.36	-1.52
301	-7.14	-8.71	-11.03	-9.04	-7.86	-7.43	-6.09	-5.80	-5.34	-4.60	-1.34
302	-7.26	-8.54	-10.35	-9.89	-8.46	-7.95	-6.33	-6.33	-5.83	-5.32	-1.55
303	-7.20	-8.34	-9.64	-9.86	-8.64	-8.06	-6.39	-6.49	-6.25	-6.29	-2.58
304	-7.11	-8.27	-9.18	-8.60	-7.92	-7.37	-5.82	-5.70	-5.79	-6.21	-3.41
305	-7.12	-8.45	-9.11	-7.63	-7.13	-6.54	-5.09	-4.81	-4.77	-4.83	-2.57
306	-7.39	-8.94	-9.50	-7.97	-7.28	-6.49	-5.10	-4.82	-4.29	-3.77	-1.44
307	-8.00	-9.77	-10.38	-9.90	-8.83	-7.72	-6.38	-6.21	-5.02	-4.08	-1.68
308	-9.02	-10.92	-11.76	-11.73	-10.92	-9.72	-8.54	-8.60	-7.01	-5.87	-3.60
309	-10.44	-12.23	-13.34	-9.40	-9.47	-9.18	-8.29	-8.39	-7.96	-7.05	-5.20
310	-12.09	-13.29	-14.05	-6.35	-6.29	-6.41	-5.42	-5.23	-5.39	-4.82	-3.34

311	-13.42	-13.51	-12.94	-4.81	-4.48	-4.65	-3.34	-3.00	-2.93	-2.49	-1.33
312	-13.72	-12.84	-11.02	-4.95	-4.43	-4.55	-2.82	-2.47	-2.12	-1.66	-0.74
313	-13.12	-11.84	-9.34	-7.23	-6.57	-6.49	-4.22	-4.00	-3.35	-2.60	-1.69
314	-12.35	-10.98	-8.17	-13.94	-13.12	-12.36	-9.02	-9.28	-8.00	-6.35	-5.00
315	-11.84	-10.45	-7.50	-16.96	-17.11	-19.82	-27.89	-25.24	-26.99	-21.34	-15.99
316	-11.74	-10.33	-7.24	-7.62	-7.06	-7.83	-7.74	-6.68	-6.98	-7.36	-6.78
317	-12.09	-10.67	-7.37	-4.29	-3.54	-3.82	-3.02	-2.28	-2.11	-1.41	-0.22
318	-12.90	-11.52	-7.86	-3.58	-2.73	-2.71	-1.68	-1.06	-0.61	0.57	2.05
319	-14.11	-12.89	-8.73	-4.86	-4.05	-3.81	-2.64	-2.08	-1.32	0.11	1.62
320	-15.43	-14.64	-9.94	-8.27	-7.88	-7.53	-6.06	-5.53	-4.19	-2.61	-1.42
321	-16.31	-16.30	-11.28	-14.57	-16.62	-16.76	-13.63	-12.42	-9.67	-7.35	-6.79
322	-16.54	-17.12	-12.26	-20.68	-22.26	-21.49	-18.29	-14.17	-13.61	-9.83	-8.27
323	-16.64	-17.11	-12.47	-18.13	-15.37	-13.93	-12.56	-10.44	-10.84	-8.90	-7.03
324	-17.23	-16.88	-12.12	-19.16	-16.15	-14.28	-12.33	-10.53	-10.24	-9.54	-7.86
325	-18.53	-16.60	-11.61	-28.08	-24.74	-20.70	-16.38	-14.07	-12.42	-12.14	-10.22
326	-20.27	-16.02	-11.04	-20.24	-20.15	-25.06	-31.73	-21.85	-18.19	-17.36	-14.68
327	-21.16	-15.03	-10.28	-12.69	-11.74	-13.30	-16.38	-16.26	-17.93	-23.73	-31.20
328	-20.15	-13.90	-9.35	-8.99	-7.81	-8.59	-10.03	-10.17	-10.97	-13.97	-17.07
329	-18.23	-12.85	-8.44	-7.14	-5.72	-5.90	-6.45	-6.60	-7.28	-9.23	-11.20
330	-16.30	-11.90	-7.66	-6.44	-4.81	-4.45	-4.28	-4.50	-5.34	-6.93	-8.86
331	-14.61	-10.98	-6.92	-6.39	-4.72	-3.96	-3.23	-3.57	-4.38	-5.65	-7.17
332	-13.28	-10.10	-6.16	-6.57	-5.14	-4.25	-3.18	-3.62	-4.10	-4.75	-5.10
333	-12.44	-9.43	-5.45	-6.92	-5.85	-5.15	-4.01	-4.44	-4.45	-4.40	-3.85
334	-12.15	-9.13	-4.98	-7.68	-6.82	-6.43	-5.50	-5.76	-5.53	-5.08	-4.38
335	-12.44	-9.31	-4.96	-9.01	-8.11	-7.84	-7.15	-7.23	-7.18	-6.92	-6.52
336	-13.29	-10.02	-5.49	-10.72	-9.61	-9.11	-8.35	-8.50	-8.72	-8.89	-8.26
337	-14.64	-11.24	-6.58	-12.18	-10.94	-10.01	-8.91	-9.37	-9.27	-9.30	-8.26
338	-16.41	-12.84	-8.11	-12.85	-11.68	-10.50	-9.07	-9.75	-9.04	-8.80	-8.13
339	-18.43	-14.51	-9.77	-12.81	-11.80	-10.71	-9.07	-9.67	-8.70	-8.28	-7.75
340	-20.22	-15.81	-11.14	-12.65	-11.78	-10.95	-9.20	-9.42	-8.65	-8.08	-7.34
341	-21.01	-16.42	-11.87	-13.02	-12.17	-11.59	-9.83	-9.52	-9.14	-8.58	-7.64
342	-20.74	-16.51	-11.96	-14.23	-13.25	-12.76	-11.02	-10.31	-10.20	-9.67	-8.51
343	-20.28	-16.42	-11.75	-15.88	-14.78	-14.27	-12.43	-11.79	-11.46	-10.63	-9.86
344	-20.20	-16.43	-11.75	-17.10	-16.12	-15.63	-13.76	-13.52	-12.47	-11.61	-12.19
345	-20.48	-16.67	-12.30	-18.14	-17.31	-16.91	-15.39	-14.99	-13.58	-13.58	-15.45
346	-20.75	-17.14	-13.48	-20.30	-19.26	-18.84	-17.99	-16.58	-15.52	-16.71	-17.86
347	-20.87	-17.78	-14.88	-24.17	-22.36	-21.69	-21.35	-19.12	-18.18	-18.81	-17.86
348	-21.18	-18.63	-15.60	-26.75	-24.74	-23.87	-23.18	-22.77	-19.81	-18.79	-17.65
349	-22.09	-19.87	-15.66	-26.47	-25.13	-24.47	-23.82	-25.28	-20.47	-19.88	-19.11
350	-23.40	-21.67	-16.13	-28.72	-27.11	-26.31	-26.37	-25.68	-22.45	-23.21	-20.73
351	-23.68	-23.65	-17.92	-38.60	-32.89	-31.00	-32.00	-27.13	-25.62	-23.38	-20.18
352	-22.44	-24.05	-21.40	-36.40	-32.93	-33.59	-31.84	-30.11	-26.33	-21.47	-20.67
353	-21.45	-22.70	-23.51	-31.89	-30.53	-33.28	-29.75	-31.60	-27.14	-23.03	-21.17
354	-21.88	-21.74	-20.70	-36.39	-35.54	-41.81	-33.32	-32.16	-32.55	-24.84	-19.70

355	-24.54	-22.20	-18.83	-39.28	-38.11	-32.98	-39.78	-37.00	-33.05	-22.36	-19.53
356	-32.13	-24.68	-19.20	-28.68	-27.82	-26.90	-29.10	-46.02	-27.68	-23.23	-21.32
357	-35.24	-30.38	-22.34	-26.19	-25.77	-26.00	-26.37	-32.19	-26.99	-30.62	-22.99
358	-25.84	-32.15	-31.27	-27.94	-28.25	-29.23	-27.82	-28.81	-28.61	-27.91	-23.29
359	-22.95	-26.04	-28.60	-36.32	-39.44	-40.34	-33.94	-29.04	-30.59	-25.95	-25.12

Port 4:

Angle	FREQUENCY										
	2400	2450	2500	5150.00	5250	5350	5450	5550	5650	5750	5850
	Horizontal										
0	1.09	1.60	1.45	-3.52	-5.01	-7.32	-8.30	-6.10	-5.14	-7.65	-7.47
1	1.03	1.53	1.42	-3.55	-5.28	-7.97	-9.06	-6.55	-5.28	-7.28	-6.61
2	0.97	1.45	1.38	-3.62	-5.59	-8.70	-9.84	-6.95	-5.37	-6.76	-5.85
3	0.91	1.37	1.33	-3.71	-5.92	-9.53	-10.61	-7.25	-5.39	-6.16	-5.18
4	0.84	1.29	1.28	-3.82	-6.28	-10.48	-11.33	-7.43	-5.36	-5.52	-4.60
5	0.77	1.20	1.23	-3.95	-6.67	-11.56	-11.95	-7.47	-5.25	-4.89	-4.09
6	0.70	1.11	1.16	-4.10	-7.09	-12.82	-12.39	-7.38	-5.10	-4.30	-3.66
7	0.62	1.02	1.10	-4.27	-7.55	-14.29	-12.63	-7.19	-4.89	-3.78	-3.31
8	0.54	0.92	1.02	-4.46	-8.03	-16.06	-12.63	-6.93	-4.67	-3.33	-3.02
9	0.46	0.83	0.94	-4.66	-8.56	-18.25	-12.44	-6.64	-4.44	-2.96	-2.80
10	0.38	0.73	0.86	-4.88	-9.13	-21.15	-12.10	-6.36	-4.21	-2.67	-2.63
11	0.29	0.63	0.77	-5.11	-9.74	-25.44	-11.67	-6.10	-4.01	-2.46	-2.52
12	0.20	0.53	0.68	-5.37	-10.39	-33.93	-11.18	-5.88	-3.84	-2.32	-2.45
13	0.11	0.44	0.59	-5.64	-11.10	-37.95	-10.67	-5.69	-3.71	-2.24	-2.42
14	0.03	0.34	0.51	-5.95	-11.85	-27.02	-10.17	-5.54	-3.60	-2.22	-2.42
15	-0.06	0.25	0.42	-6.28	-12.66	-22.41	-9.67	-5.43	-3.53	-2.24	-2.45
16	-0.15	0.17	0.34	-6.65	-13.51	-19.47	-9.19	-5.33	-3.49	-2.29	-2.49
17	-0.24	0.09	0.26	-7.07	-14.39	-17.31	-8.74	-5.26	-3.47	-2.37	-2.54
18	-0.33	0.03	0.19	-7.53	-15.29	-15.62	-8.32	-5.20	-3.46	-2.46	-2.59
19	-0.41	-0.03	0.13	-8.05	-16.17	-14.23	-7.92	-5.14	-3.46	-2.56	-2.64
20	-0.48	-0.08	0.09	-8.63	-16.96	-13.05	-7.56	-5.09	-3.47	-2.65	-2.69
21	-0.56	-0.11	0.05	-9.28	-17.55	-12.04	-7.22	-5.04	-3.48	-2.75	-2.73
22	-0.62	-0.13	0.04	-10.00	-17.84	-11.14	-6.91	-4.99	-3.50	-2.84	-2.77
23	-0.68	-0.14	0.04	-10.80	-17.73	-10.35	-6.63	-4.96	-3.53	-2.93	-2.80
24	-0.72	-0.13	0.05	-11.68	-17.23	-9.64	-6.38	-4.94	-3.57	-3.01	-2.82
25	-0.76	-0.11	0.09	-12.63	-16.42	-9.01	-6.14	-4.94	-3.62	-3.10	-2.83
26	-0.79	-0.07	0.14	-13.62	-15.43	-8.43	-5.92	-4.95	-3.68	-3.18	-2.82
27	-0.80	-0.01	0.20	-14.58	-14.35	-7.90	-5.72	-4.97	-3.77	-3.27	-2.80
28	-0.80	0.05	0.29	-15.40	-13.26	-7.41	-5.53	-5.01	-3.86	-3.34	-2.75
29	-0.79	0.13	0.39	-15.92	-12.20	-6.95	-5.36	-5.07	-3.98	-3.41	-2.69
30	-0.77	0.23	0.50	-15.96	-11.18	-6.52	-5.18	-5.13	-4.10	-3.47	-2.60
31	-0.73	0.33	0.62	-15.50	-10.22	-6.12	-5.01	-5.18	-4.23	-3.50	-2.50
32	-0.69	0.44	0.75	-14.66	-9.33	-5.72	-4.84	-5.23	-4.35	-3.52	-2.38

33	-0.63	0.56	0.88	-13.61	-8.49	-5.34	-4.67	-5.27	-4.46	-3.52	-2.26
34	-0.56	0.69	1.03	-12.50	-7.72	-4.97	-4.49	-5.28	-4.55	-3.50	-2.14
35	-0.48	0.82	1.17	-11.40	-7.00	-4.60	-4.30	-5.26	-4.62	-3.48	-2.03
36	-0.39	0.95	1.32	-10.35	-6.34	-4.24	-4.10	-5.21	-4.65	-3.45	-1.95
37	-0.29	1.09	1.46	-9.37	-5.73	-3.88	-3.89	-5.12	-4.66	-3.43	-1.89
38	-0.19	1.23	1.61	-8.46	-5.17	-3.53	-3.67	-5.00	-4.63	-3.42	-1.87
39	-0.08	1.37	1.75	-7.62	-4.65	-3.18	-3.43	-4.83	-4.56	-3.43	-1.88
40	0.04	1.51	1.89	-6.85	-4.17	-2.84	-3.19	-4.63	-4.47	-3.47	-1.93
41	0.16	1.65	2.03	-6.14	-3.73	-2.52	-2.93	-4.40	-4.34	-3.53	-2.02
42	0.29	1.79	2.16	-5.48	-3.32	-2.21	-2.66	-4.15	-4.18	-3.62	-2.15
43	0.42	1.92	2.29	-4.89	-2.95	-1.91	-2.38	-3.87	-4.00	-3.72	-2.31
44	0.55	2.06	2.42	-4.34	-2.60	-1.63	-2.11	-3.58	-3.79	-3.84	-2.50
45	0.68	2.19	2.54	-3.85	-2.28	-1.37	-1.84	-3.28	-3.57	-3.97	-2.71
46	0.81	2.32	2.65	-3.40	-1.99	-1.12	-1.57	-2.97	-3.33	-4.10	-2.94
47	0.95	2.44	2.76	-3.00	-1.72	-0.90	-1.30	-2.67	-3.09	-4.22	-3.18
48	1.08	2.56	2.87	-2.64	-1.47	-0.69	-1.05	-2.37	-2.84	-4.33	-3.43
49	1.21	2.68	2.97	-2.33	-1.25	-0.51	-0.81	-2.07	-2.61	-4.43	-3.67
50	1.34	2.80	3.06	-2.06	-1.05	-0.34	-0.58	-1.79	-2.38	-4.52	-3.90
51	1.47	2.91	3.15	-1.83	-0.87	-0.20	-0.37	-1.51	-2.17	-4.60	-4.12
52	1.59	3.02	3.24	-1.64	-0.72	-0.07	-0.16	-1.25	-1.97	-4.68	-4.32
53	1.71	3.12	3.33	-1.49	-0.59	0.04	0.03	-0.99	-1.80	-4.75	-4.50
54	1.83	3.22	3.40	-1.38	-0.48	0.14	0.21	-0.75	-1.63	-4.81	-4.65
55	1.95	3.32	3.48	-1.30	-0.40	0.22	0.38	-0.51	-1.49	-4.87	-4.77
56	2.06	3.41	3.55	-1.25	-0.35	0.28	0.53	-0.29	-1.36	-4.93	-4.87
57	2.16	3.49	3.62	-1.23	-0.32	0.33	0.68	-0.08	-1.25	-4.97	-4.93
58	2.26	3.58	3.68	-1.23	-0.31	0.37	0.82	0.12	-1.15	-5.00	-4.95
59	2.35	3.65	3.74	-1.25	-0.33	0.40	0.95	0.30	-1.07	-5.02	-4.92
60	2.44	3.72	3.79	-1.29	-0.36	0.42	1.06	0.47	-0.99	-5.02	-4.85
61	2.53	3.79	3.84	-1.35	-0.42	0.43	1.16	0.63	-0.93	-4.99	-4.71
62	2.60	3.85	3.88	-1.41	-0.50	0.43	1.25	0.76	-0.88	-4.93	-4.50
63	2.67	3.91	3.92	-1.48	-0.58	0.43	1.33	0.87	-0.85	-4.83	-4.20
64	2.73	3.96	3.95	-1.55	-0.68	0.41	1.39	0.97	-0.83	-4.68	-3.82
65	2.79	4.00	3.98	-1.61	-0.79	0.40	1.44	1.04	-0.83	-4.47	-3.34
66	2.84	4.04	4.00	-1.67	-0.91	0.37	1.48	1.08	-0.83	-4.19	-2.78
67	2.89	4.07	4.01	-1.72	-1.02	0.35	1.50	1.11	-0.84	-3.82	-2.14
68	2.92	4.10	4.03	-1.77	-1.13	0.32	1.51	1.12	-0.85	-3.37	-1.46
69	2.95	4.12	4.03	-1.80	-1.24	0.28	1.51	1.11	-0.84	-2.83	-0.73
70	2.98	4.13	4.03	-1.83	-1.35	0.24	1.50	1.10	-0.80	-2.22	0.01
71	3.00	4.14	4.03	-1.84	-1.45	0.20	1.47	1.08	-0.72	-1.55	0.75
72	3.01	4.15	4.02	-1.85	-1.55	0.14	1.45	1.06	-0.59	-0.84	1.46
73	3.02	4.15	4.01	-1.86	-1.66	0.08	1.41	1.06	-0.39	-0.13	2.13
74	3.03	4.15	4.00	-1.87	-1.76	0.01	1.37	1.06	-0.13	0.55	2.76
75	3.03	4.15	3.98	-1.88	-1.87	-0.08	1.33	1.09	0.17	1.20	3.32
76	3.02	4.14	3.96	-1.89	-1.98	-0.18	1.27	1.13	0.51	1.79	3.83

77	3.02	4.13	3.94	-1.90	-2.11	-0.30	1.22	1.19	0.86	2.30	4.26
78	3.01	4.11	3.92	-1.91	-2.25	-0.43	1.15	1.25	1.21	2.75	4.63
79	3.00	4.10	3.90	-1.92	-2.40	-0.58	1.07	1.32	1.54	3.12	4.94
80	2.99	4.09	3.88	-1.93	-2.55	-0.75	0.99	1.37	1.85	3.43	5.19
81	2.97	4.07	3.86	-1.91	-2.69	-0.93	0.90	1.43	2.12	3.68	5.40
82	2.96	4.06	3.85	-1.87	-2.82	-1.11	0.80	1.47	2.37	3.87	5.57
83	2.95	4.04	3.83	-1.80	-2.92	-1.29	0.71	1.51	2.60	4.03	5.72
84	2.94	4.03	3.82	-1.67	-2.97	-1.46	0.63	1.54	2.81	4.18	5.85
85	2.92	4.02	3.81	-1.50	-2.96	-1.61	0.56	1.59	3.00	4.31	5.99
86	2.91	4.01	3.80	-1.26	-2.87	-1.72	0.51	1.64	3.20	4.44	6.13
87	2.90	4.00	3.79	-0.98	-2.70	-1.80	0.49	1.71	3.38	4.58	6.27
88	2.89	3.99	3.79	-0.64	-2.46	-1.83	0.49	1.80	3.56	4.73	6.42
89	2.88	3.98	3.79	-0.27	-2.15	-1.80	0.51	1.89	3.72	4.87	6.56
90	2.87	3.98	3.79	0.13	-1.79	-1.72	0.54	1.98	3.86	4.99	6.69
91	2.86	3.98	3.79	0.54	-1.39	-1.59	0.58	2.07	3.97	5.09	6.79
92	2.85	3.97	3.79	0.96	-0.98	-1.41	0.62	2.13	4.03	5.14	6.85
93	2.84	3.97	3.79	1.36	-0.57	-1.19	0.65	2.17	4.04	5.14	6.87
94	2.83	3.96	3.79	1.75	-0.16	-0.93	0.67	2.17	3.99	5.09	6.83
95	2.82	3.96	3.79	2.12	0.24	-0.64	0.68	2.15	3.88	4.96	6.73
96	2.81	3.96	3.78	2.47	0.62	-0.33	0.69	2.09	3.72	4.77	6.57
97	2.79	3.95	3.78	2.79	0.99	0.01	0.70	2.00	3.50	4.51	6.35
98	2.77	3.94	3.77	3.08	1.34	0.35	0.74	1.91	3.24	4.19	6.07
99	2.75	3.93	3.76	3.34	1.68	0.70	0.81	1.83	2.95	3.82	5.74
100	2.72	3.92	3.74	3.58	2.01	1.06	0.92	1.77	2.66	3.41	5.36
101	2.69	3.90	3.73	3.80	2.32	1.41	1.09	1.75	2.39	2.97	4.94
102	2.66	3.88	3.70	4.00	2.63	1.77	1.30	1.79	2.16	2.53	4.49
103	2.62	3.85	3.68	4.17	2.93	2.11	1.57	1.89	1.99	2.09	4.03
104	2.57	3.83	3.65	4.33	3.21	2.45	1.88	2.05	1.89	1.69	3.56
105	2.52	3.79	3.61	4.48	3.49	2.77	2.21	2.25	1.87	1.33	3.10
106	2.47	3.76	3.57	4.61	3.75	3.08	2.56	2.49	1.93	1.02	2.65
107	2.41	3.72	3.53	4.73	4.00	3.37	2.91	2.76	2.05	0.77	2.21
108	2.35	3.67	3.49	4.84	4.23	3.64	3.25	3.03	2.21	0.57	1.80
109	2.28	3.63	3.44	4.94	4.44	3.89	3.58	3.30	2.40	0.41	1.41
110	2.21	3.58	3.38	5.02	4.63	4.12	3.88	3.57	2.60	0.29	1.03
111	2.14	3.52	3.33	5.10	4.80	4.32	4.16	3.82	2.81	0.21	0.67
112	2.06	3.46	3.27	5.15	4.93	4.50	4.42	4.06	3.03	0.16	0.33
113	1.98	3.40	3.21	5.19	5.05	4.66	4.65	4.29	3.25	0.15	0.00
114	1.90	3.34	3.15	5.21	5.13	4.79	4.85	4.51	3.47	0.18	-0.30
115	1.81	3.27	3.08	5.20	5.19	4.90	5.03	4.72	3.68	0.25	-0.58
116	1.73	3.20	3.01	5.17	5.21	4.98	5.19	4.92	3.89	0.37	-0.81
117	1.64	3.13	2.94	5.12	5.21	5.03	5.32	5.11	4.10	0.51	-0.99
118	1.55	3.05	2.87	5.04	5.18	5.07	5.42	5.28	4.29	0.68	-1.13
119	1.47	2.98	2.80	4.93	5.13	5.07	5.50	5.44	4.47	0.87	-1.20
120	1.38	2.90	2.73	4.79	5.04	5.05	5.55	5.57	4.62	1.05	-1.24



121	1.29	2.82	2.66	4.62	4.93	5.00	5.57	5.67	4.75	1.22	-1.24
122	1.21	2.74	2.58	4.43	4.78	4.92	5.56	5.75	4.85	1.38	-1.21
123	1.13	2.66	2.51	4.21	4.61	4.82	5.52	5.79	4.91	1.50	-1.18
124	1.05	2.58	2.43	3.97	4.41	4.69	5.44	5.80	4.95	1.59	-1.15
125	0.97	2.50	2.35	3.70	4.18	4.52	5.33	5.77	4.95	1.65	-1.14
126	0.90	2.42	2.28	3.42	3.91	4.33	5.18	5.71	4.92	1.69	-1.14
127	0.82	2.33	2.20	3.12	3.62	4.11	4.99	5.61	4.87	1.70	-1.16
128	0.75	2.25	2.12	2.81	3.29	3.86	4.78	5.49	4.80	1.69	-1.20
129	0.69	2.17	2.04	2.49	2.93	3.57	4.53	5.33	4.70	1.67	-1.24
130	0.62	2.08	1.95	2.17	2.55	3.25	4.25	5.15	4.59	1.64	-1.29
131	0.56	1.99	1.87	1.85	2.14	2.91	3.93	4.95	4.47	1.61	-1.33
132	0.49	1.91	1.79	1.53	1.72	2.53	3.59	4.72	4.33	1.57	-1.35
133	0.44	1.82	1.70	1.23	1.29	2.12	3.23	4.47	4.18	1.53	-1.35
134	0.38	1.73	1.62	0.96	0.87	1.69	2.83	4.19	4.01	1.49	-1.34
135	0.32	1.64	1.53	0.72	0.48	1.25	2.42	3.89	3.82	1.44	-1.31
136	0.27	1.56	1.45	0.53	0.12	0.79	1.98	3.56	3.61	1.38	-1.26
137	0.22	1.47	1.37	0.40	-0.17	0.34	1.53	3.21	3.37	1.32	-1.21
138	0.17	1.38	1.29	0.35	-0.38	-0.08	1.06	2.82	3.11	1.24	-1.15
139	0.13	1.29	1.21	0.37	-0.50	-0.46	0.60	2.41	2.82	1.15	-1.09
140	0.08	1.21	1.13	0.46	-0.52	-0.77	0.16	1.97	2.50	1.05	-1.02
141	0.05	1.13	1.06	0.63	-0.44	-0.99	-0.25	1.51	2.16	0.94	-0.96
142	0.01	1.05	1.00	0.85	-0.27	-1.09	-0.60	1.04	1.81	0.82	-0.90
143	-0.02	0.97	0.94	1.12	-0.02	-1.07	-0.86	0.59	1.45	0.70	-0.83
144	-0.05	0.90	0.90	1.42	0.28	-0.94	-1.01	0.18	1.09	0.58	-0.75
145	-0.07	0.84	0.86	1.73	0.62	-0.72	-1.05	-0.17	0.74	0.46	-0.67
146	-0.09	0.79	0.83	2.04	0.99	-0.42	-0.96	-0.44	0.42	0.35	-0.57
147	-0.10	0.74	0.82	2.35	1.37	-0.07	-0.77	-0.61	0.14	0.23	-0.48
148	-0.11	0.70	0.81	2.65	1.74	0.31	-0.49	-0.66	-0.11	0.11	-0.38
149	-0.11	0.67	0.83	2.92	2.11	0.70	-0.15	-0.60	-0.30	-0.01	-0.28
150	-0.10	0.65	0.85	3.17	2.46	1.08	0.23	-0.45	-0.44	-0.14	-0.19
151	-0.09	0.64	0.88	3.40	2.78	1.45	0.62	-0.22	-0.52	-0.28	-0.12
152	-0.07	0.63	0.93	3.60	3.08	1.81	1.01	0.07	-0.53	-0.43	-0.07
153	-0.05	0.64	0.99	3.78	3.35	2.14	1.39	0.40	-0.49	-0.59	-0.04
154	-0.02	0.66	1.06	3.94	3.58	2.44	1.76	0.76	-0.38	-0.74	-0.02
155	0.01	0.69	1.14	4.08	3.79	2.73	2.10	1.13	-0.21	-0.89	-0.03
156	0.05	0.72	1.22	4.21	3.96	2.98	2.42	1.50	0.01	-1.00	-0.06
157	0.09	0.77	1.31	4.31	4.10	3.21	2.71	1.86	0.28	-1.09	-0.10
158	0.13	0.81	1.41	4.40	4.22	3.42	2.97	2.22	0.58	-1.13	-0.16
159	0.18	0.87	1.50	4.47	4.31	3.60	3.19	2.54	0.89	-1.12	-0.23
160	0.23	0.92	1.60	4.53	4.37	3.75	3.39	2.84	1.21	-1.06	-0.31
161	0.28	0.99	1.70	4.58	4.42	3.88	3.55	3.11	1.52	-0.97	-0.39
162	0.33	1.05	1.80	4.61	4.45	3.98	3.67	3.34	1.81	-0.85	-0.50
163	0.38	1.11	1.89	4.64	4.46	4.06	3.77	3.53	2.06	-0.71	-0.61
164	0.44	1.18	1.98	4.65	4.46	4.12	3.83	3.67	2.29	-0.57	-0.75

165	0.49	1.25	2.07	4.66	4.45	4.15	3.86	3.78	2.48	-0.43	-0.91
166	0.54	1.31	2.15	4.66	4.44	4.16	3.86	3.84	2.63	-0.31	-1.09
167	0.59	1.37	2.22	4.67	4.42	4.15	3.84	3.87	2.75	-0.19	-1.29
168	0.64	1.43	2.29	4.67	4.39	4.12	3.79	3.86	2.83	-0.09	-1.51
169	0.69	1.49	2.35	4.68	4.37	4.09	3.73	3.82	2.89	0.00	-1.74
170	0.73	1.55	2.41	4.70	4.35	4.04	3.66	3.75	2.92	0.07	-1.97
171	0.78	1.60	2.45	4.73	4.33	4.00	3.59	3.66	2.92	0.14	-2.20
172	0.82	1.65	2.49	4.77	4.32	3.95	3.51	3.55	2.91	0.20	-2.42
173	0.86	1.70	2.52	4.82	4.31	3.92	3.43	3.43	2.87	0.25	-2.60
174	0.90	1.74	2.54	4.87	4.31	3.89	3.36	3.31	2.82	0.30	-2.76
175	0.94	1.79	2.56	4.93	4.32	3.87	3.30	3.17	2.75	0.33	-2.88
176	0.97	1.82	2.57	4.98	4.34	3.87	3.25	3.03	2.67	0.35	-2.97
177	1.00	1.86	2.57	5.03	4.37	3.88	3.22	2.90	2.58	0.36	-3.02
178	1.03	1.89	2.57	5.06	4.41	3.90	3.21	2.76	2.47	0.36	-3.05
179	1.06	1.92	2.55	5.08	4.44	3.92	3.21	2.64	2.36	0.34	-3.05
180	1.09	1.95	2.54	5.08	4.48	3.95	3.24	2.53	2.25	0.30	-3.04
181	1.11	1.97	2.52	5.06	4.51	3.97	3.28	2.44	2.14	0.26	-3.01
182	1.13	1.99	2.49	5.01	4.53	3.98	3.33	2.37	2.05	0.21	-2.98
183	1.15	2.01	2.46	4.93	4.53	3.99	3.39	2.32	1.97	0.16	-2.93
184	1.16	2.02	2.43	4.82	4.51	3.97	3.45	2.31	1.91	0.10	-2.87
185	1.18	2.04	2.39	4.67	4.46	3.94	3.51	2.31	1.87	0.05	-2.80
186	1.19	2.05	2.36	4.50	4.38	3.89	3.56	2.34	1.86	0.01	-2.72
187	1.20	2.06	2.32	4.30	4.26	3.81	3.59	2.37	1.86	-0.03	-2.64
188	1.20	2.06	2.29	4.07	4.11	3.71	3.60	2.41	1.88	-0.06	-2.55
189	1.21	2.07	2.25	3.81	3.93	3.58	3.57	2.44	1.90	-0.08	-2.46
190	1.21	2.07	2.22	3.52	3.70	3.43	3.52	2.46	1.92	-0.10	-2.37
191	1.21	2.08	2.18	3.22	3.44	3.25	3.42	2.45	1.93	-0.12	-2.30
192	1.20	2.08	2.16	2.90	3.15	3.04	3.29	2.41	1.92	-0.15	-2.24
193	1.20	2.08	2.13	2.57	2.83	2.81	3.12	2.34	1.90	-0.17	-2.19
194	1.19	2.08	2.11	2.24	2.50	2.56	2.92	2.25	1.86	-0.21	-2.17
195	1.18	2.08	2.09	1.93	2.17	2.29	2.69	2.12	1.80	-0.24	-2.15
196	1.17	2.07	2.08	1.66	1.85	2.01	2.45	1.97	1.73	-0.28	-2.15
197	1.16	2.07	2.08	1.43	1.56	1.73	2.19	1.81	1.64	-0.32	-2.15
198	1.15	2.07	2.08	1.29	1.33	1.48	1.93	1.63	1.55	-0.36	-2.15
199	1.13	2.06	2.08	1.23	1.18	1.26	1.70	1.46	1.46	-0.39	-2.15
200	1.11	2.05	2.09	1.28	1.13	1.10	1.50	1.30	1.36	-0.43	-2.14
201	1.10	2.05	2.10	1.43	1.18	1.03	1.35	1.15	1.27	-0.47	-2.11
202	1.08	2.04	2.11	1.68	1.34	1.05	1.27	1.04	1.18	-0.51	-2.08
203	1.05	2.03	2.13	2.01	1.60	1.18	1.26	0.97	1.10	-0.55	-2.03
204	1.03	2.01	2.15	2.39	1.93	1.41	1.33	0.93	1.03	-0.60	-1.98
205	1.01	2.00	2.17	2.81	2.32	1.72	1.47	0.95	0.97	-0.66	-1.93
206	0.98	1.98	2.19	3.23	2.74	2.09	1.67	1.01	0.93	-0.72	-1.88
207	0.95	1.97	2.21	3.65	3.16	2.50	1.93	1.13	0.91	-0.78	-1.84
208	0.92	1.95	2.23	4.04	3.59	2.93	2.24	1.29	0.92	-0.84	-1.82

209	0.89	1.92	2.25	4.40	3.99	3.34	2.58	1.49	0.96	-0.89	-1.82
210	0.86	1.90	2.27	4.73	4.36	3.74	2.93	1.74	1.04	-0.94	-1.84
211	0.82	1.86	2.28	5.01	4.70	4.11	3.29	2.01	1.16	-0.96	-1.89
212	0.78	1.83	2.29	5.25	4.99	4.44	3.65	2.30	1.32	-0.95	-1.97
213	0.74	1.79	2.30	5.44	5.25	4.73	3.99	2.61	1.51	-0.92	-2.08
214	0.69	1.75	2.30	5.59	5.46	4.97	4.30	2.91	1.72	-0.86	-2.23
215	0.65	1.70	2.30	5.69	5.62	5.18	4.59	3.20	1.95	-0.76	-2.40
216	0.60	1.65	2.29	5.75	5.75	5.33	4.85	3.47	2.18	-0.65	-2.60
217	0.54	1.60	2.27	5.78	5.82	5.45	5.06	3.72	2.40	-0.51	-2.82
218	0.49	1.54	2.25	5.76	5.86	5.52	5.23	3.93	2.61	-0.36	-3.05
219	0.43	1.47	2.22	5.71	5.85	5.56	5.36	4.11	2.80	-0.20	-3.29
220	0.36	1.40	2.18	5.63	5.81	5.56	5.44	4.24	2.96	-0.05	-3.52
221	0.30	1.32	2.13	5.52	5.73	5.53	5.48	4.34	3.09	0.09	-3.74
222	0.23	1.23	2.08	5.39	5.62	5.47	5.47	4.39	3.18	0.23	-3.91
223	0.15	1.14	2.01	5.24	5.49	5.38	5.43	4.40	3.25	0.35	-4.04
224	0.08	1.05	1.94	5.07	5.33	5.27	5.34	4.37	3.28	0.45	-4.09
225	0.00	0.94	1.86	4.88	5.15	5.14	5.22	4.31	3.28	0.54	-4.07
226	-0.09	0.83	1.77	4.68	4.96	4.99	5.06	4.22	3.26	0.62	-3.98
227	-0.17	0.72	1.67	4.48	4.75	4.82	4.88	4.10	3.22	0.69	-3.81
228	-0.26	0.60	1.56	4.27	4.55	4.64	4.68	3.96	3.15	0.74	-3.59
229	-0.36	0.47	1.43	4.06	4.34	4.45	4.47	3.80	3.08	0.78	-3.32
230	-0.45	0.33	1.30	3.85	4.13	4.25	4.25	3.63	2.99	0.82	-3.03
231	-0.55	0.19	1.15	3.64	3.93	4.05	4.02	3.46	2.89	0.84	-2.73
232	-0.66	0.03	1.00	3.43	3.74	3.84	3.80	3.28	2.78	0.84	-2.44
233	-0.76	-0.12	0.83	3.24	3.56	3.62	3.58	3.10	2.66	0.84	-2.16
234	-0.87	-0.29	0.65	3.04	3.39	3.41	3.38	2.92	2.54	0.81	-1.92
235	-0.98	-0.46	0.45	2.87	3.24	3.21	3.18	2.74	2.40	0.77	-1.71
236	-1.10	-0.65	0.24	2.70	3.10	3.02	3.00	2.56	2.25	0.70	-1.54
237	-1.21	-0.83	0.02	2.55	2.99	2.84	2.83	2.38	2.09	0.61	-1.41
238	-1.33	-1.03	-0.21	2.42	2.89	2.69	2.68	2.20	1.92	0.49	-1.34
239	-1.46	-1.23	-0.46	2.32	2.80	2.55	2.54	2.02	1.73	0.34	-1.32
240	-1.58	-1.45	-0.73	2.24	2.74	2.45	2.41	1.85	1.54	0.16	-1.35
241	-1.71	-1.67	-1.00	2.19	2.70	2.38	2.30	1.67	1.33	-0.05	-1.44
242	-1.85	-1.89	-1.30	2.17	2.69	2.35	2.20	1.51	1.12	-0.28	-1.58
243	-1.98	-2.13	-1.60	2.18	2.70	2.35	2.12	1.35	0.91	-0.53	-1.78
244	-2.12	-2.37	-1.93	2.23	2.74	2.39	2.06	1.21	0.71	-0.79	-2.02
245	-2.26	-2.61	-2.26	2.32	2.80	2.46	2.03	1.10	0.53	-1.05	-2.30
246	-2.41	-2.87	-2.61	2.43	2.89	2.56	2.02	1.01	0.37	-1.30	-2.63
247	-2.55	-3.12	-2.97	2.57	3.01	2.70	2.04	0.95	0.24	-1.53	-2.98
248	-2.70	-3.39	-3.35	2.73	3.14	2.85	2.09	0.93	0.15	-1.74	-3.35
249	-2.86	-3.66	-3.74	2.91	3.30	3.02	2.17	0.95	0.09	-1.91	-3.73
250	-3.01	-3.93	-4.13	3.10	3.47	3.20	2.28	1.01	0.08	-2.03	-4.11
251	-3.16	-4.20	-4.54	3.29	3.64	3.38	2.42	1.10	0.11	-2.12	-4.48
252	-3.32	-4.47	-4.95	3.48	3.81	3.55	2.57	1.21	0.18	-2.16	-4.82

253	-3.47	-4.75	-5.37	3.65	3.98	3.71	2.72	1.34	0.26	-2.16	-5.14
254	-3.62	-5.02	-5.79	3.81	4.13	3.85	2.88	1.48	0.37	-2.14	-5.41
255	-3.77	-5.29	-6.21	3.94	4.26	3.97	3.03	1.62	0.49	-2.10	-5.66
256	-3.92	-5.55	-6.63	4.05	4.36	4.05	3.16	1.75	0.60	-2.06	-5.87
257	-4.06	-5.81	-7.04	4.13	4.44	4.11	3.27	1.86	0.70	-2.02	-6.06
258	-4.20	-6.05	-7.43	4.18	4.48	4.13	3.34	1.93	0.78	-2.01	-6.22
259	-4.33	-6.29	-7.82	4.19	4.48	4.12	3.38	1.98	0.84	-2.01	-6.35
260	-4.46	-6.51	-8.18	4.18	4.46	4.08	3.39	1.99	0.87	-2.04	-6.46
261	-4.57	-6.72	-8.52	4.14	4.40	4.02	3.36	1.97	0.89	-2.09	-6.55
262	-4.68	-6.91	-8.83	4.08	4.32	3.93	3.31	1.91	0.88	-2.16	-6.59
263	-4.77	-7.08	-9.12	4.01	4.22	3.83	3.24	1.84	0.86	-2.23	-6.60
264	-4.85	-7.24	-9.38	3.92	4.11	3.72	3.16	1.76	0.83	-2.29	-6.55
265	-4.92	-7.37	-9.60	3.84	4.01	3.62	3.08	1.68	0.82	-2.33	-6.44
266	-4.97	-7.47	-9.79	3.75	3.90	3.52	3.02	1.62	0.82	-2.33	-6.28
267	-5.01	-7.55	-9.95	3.68	3.82	3.44	2.98	1.59	0.85	-2.29	-6.07
268	-5.02	-7.61	-10.07	3.61	3.74	3.37	2.96	1.59	0.89	-2.20	-5.84
269	-5.03	-7.64	-10.15	3.55	3.68	3.31	2.96	1.62	0.96	-2.08	-5.58
270	-5.01	-7.64	-10.19	3.49	3.63	3.27	2.97	1.67	1.05	-1.93	-5.33
271	-4.98	-7.62	-10.20	3.44	3.57	3.22	2.98	1.73	1.14	-1.78	-5.08
272	-4.94	-7.57	-10.16	3.38	3.51	3.17	2.98	1.79	1.22	-1.63	-4.85
273	-4.87	-7.49	-10.07	3.31	3.43	3.11	2.95	1.84	1.28	-1.49	-4.64
274	-4.80	-7.40	-9.94	3.23	3.33	3.02	2.90	1.86	1.32	-1.39	-4.45
275	-4.71	-7.27	-9.76	3.12	3.20	2.91	2.81	1.84	1.33	-1.31	-4.28
276	-4.61	-7.13	-9.54	3.00	3.03	2.77	2.67	1.79	1.30	-1.27	-4.11
277	-4.50	-6.97	-9.27	2.84	2.82	2.59	2.49	1.69	1.24	-1.26	-3.95
278	-4.38	-6.79	-8.96	2.67	2.57	2.38	2.26	1.56	1.14	-1.29	-3.78
279	-4.25	-6.60	-8.61	2.47	2.29	2.12	2.00	1.38	1.01	-1.33	-3.60
280	-4.12	-6.39	-8.23	2.25	1.97	1.84	1.70	1.17	0.85	-1.39	-3.41
281	-3.98	-6.17	-7.82	2.01	1.63	1.51	1.38	0.93	0.66	-1.46	-3.20
282	-3.84	-5.94	-7.40	1.76	1.26	1.16	1.03	0.67	0.45	-1.53	-2.97
283	-3.69	-5.70	-6.95	1.50	0.87	0.79	0.68	0.39	0.23	-1.60	-2.73
284	-3.55	-5.45	-6.50	1.23	0.47	0.39	0.31	0.09	-0.01	-1.66	-2.49
285	-3.40	-5.19	-6.04	0.96	0.07	-0.02	-0.05	-0.21	-0.25	-1.71	-2.25
286	-3.26	-4.93	-5.58	0.69	-0.33	-0.45	-0.41	-0.51	-0.49	-1.75	-2.03
287	-3.12	-4.67	-5.12	0.41	-0.73	-0.88	-0.77	-0.82	-0.73	-1.78	-1.82
288	-2.97	-4.41	-4.67	0.13	-1.13	-1.32	-1.11	-1.12	-0.97	-1.82	-1.64
289	-2.83	-4.14	-4.22	-0.15	-1.52	-1.76	-1.45	-1.43	-1.22	-1.87	-1.49
290	-2.70	-3.88	-3.79	-0.45	-1.91	-2.20	-1.80	-1.76	-1.48	-1.93	-1.39
291	-2.56	-3.61	-3.37	-0.75	-2.30	-2.65	-2.15	-2.10	-1.76	-2.01	-1.33
292	-2.43	-3.34	-2.96	-1.06	-2.69	-3.10	-2.53	-2.48	-2.07	-2.13	-1.33
293	-2.30	-3.08	-2.57	-1.39	-3.10	-3.55	-2.93	-2.90	-2.42	-2.28	-1.39
294	-2.17	-2.82	-2.19	-1.73	-3.52	-4.01	-3.37	-3.38	-2.80	-2.46	-1.50
295	-2.04	-2.56	-1.82	-2.10	-3.97	-4.48	-3.85	-3.93	-3.23	-2.67	-1.68
296	-1.92	-2.30	-1.47	-2.49	-4.46	-4.96	-4.37	-4.53	-3.69	-2.90	-1.93

297	-1.79	-2.04	-1.14	-2.91	-4.98	-5.44	-4.93	-5.18	-4.16	-3.14	-2.24
298	-1.67	-1.79	-0.82	-3.36	-5.54	-5.93	-5.49	-5.86	-4.61	-3.36	-2.62
299	-1.55	-1.54	-0.52	-3.86	-6.12	-6.40	-6.05	-6.51	-4.99	-3.55	-3.07
300	-1.42	-1.30	-0.23	-4.38	-6.69	-6.84	-6.55	-7.05	-5.24	-3.70	-3.58
301	-1.30	-1.06	0.04	-4.92	-7.21	-7.20	-6.95	-7.41	-5.34	-3.78	-4.15
302	-1.17	-0.82	0.30	-5.47	-7.63	-7.45	-7.21	-7.52	-5.26	-3.81	-4.78
303	-1.05	-0.59	0.54	-5.97	-7.87	-7.54	-7.32	-7.39	-5.03	-3.78	-5.45
304	-0.93	-0.37	0.77	-6.40	-7.90	-7.48	-7.28	-7.05	-4.70	-3.70	-6.15
305	-0.80	-0.15	0.98	-6.69	-7.73	-7.26	-7.13	-6.59	-4.31	-3.59	-6.84
306	-0.68	0.06	1.17	-6.80	-7.38	-6.92	-6.89	-6.08	-3.90	-3.46	-7.46
307	-0.55	0.26	1.35	-6.71	-6.93	-6.50	-6.61	-5.55	-3.50	-3.31	-7.95
308	-0.43	0.46	1.52	-6.45	-6.44	-6.06	-6.30	-5.05	-3.14	-3.15	-8.24
309	-0.31	0.65	1.67	-6.06	-5.95	-5.63	-5.99	-4.59	-2.80	-3.00	-8.28
310	-0.19	0.83	1.80	-5.61	-5.50	-5.24	-5.68	-4.16	-2.50	-2.84	-8.07
311	-0.07	1.00	1.92	-5.15	-5.11	-4.90	-5.38	-3.77	-2.23	-2.68	-7.67
312	0.05	1.16	2.03	-4.72	-4.78	-4.62	-5.09	-3.43	-1.98	-2.54	-7.15
313	0.16	1.31	2.12	-4.33	-4.52	-4.41	-4.82	-3.12	-1.77	-2.40	-6.59
314	0.27	1.46	2.20	-4.01	-4.31	-4.28	-4.58	-2.85	-1.58	-2.29	-6.04
315	0.38	1.59	2.26	-3.76	-4.16	-4.21	-4.37	-2.62	-1.42	-2.20	-5.53
316	0.49	1.72	2.31	-3.58	-4.06	-4.20	-4.21	-2.45	-1.30	-2.15	-5.07
317	0.59	1.83	2.35	-3.48	-4.01	-4.25	-4.10	-2.33	-1.22	-2.13	-4.68
318	0.69	1.93	2.38	-3.44	-4.01	-4.35	-4.05	-2.27	-1.19	-2.15	-4.34
319	0.79	2.03	2.39	-3.46	-4.05	-4.50	-4.07	-2.28	-1.21	-2.21	-4.06
320	0.88	2.11	2.39	-3.54	-4.14	-4.70	-4.15	-2.35	-1.27	-2.30	-3.82
321	0.96	2.19	2.38	-3.67	-4.29	-4.93	-4.30	-2.48	-1.39	-2.42	-3.61
322	1.05	2.26	2.36	-3.84	-4.49	-5.21	-4.52	-2.67	-1.54	-2.55	-3.43
323	1.12	2.31	2.33	-4.06	-4.75	-5.53	-4.80	-2.91	-1.71	-2.68	-3.28
324	1.20	2.36	2.29	-4.32	-5.09	-5.90	-5.13	-3.19	-1.89	-2.80	-3.14
325	1.27	2.41	2.24	-4.62	-5.50	-6.31	-5.49	-3.48	-2.06	-2.88	-3.02
326	1.33	2.44	2.19	-4.96	-5.99	-6.77	-5.85	-3.78	-2.19	-2.93	-2.92
327	1.39	2.47	2.13	-5.34	-6.57	-7.28	-6.18	-4.05	-2.28	-2.93	-2.84
328	1.45	2.49	2.07	-5.78	-7.23	-7.84	-6.47	-4.27	-2.31	-2.89	-2.79
329	1.50	2.50	2.00	-6.27	-7.97	-8.43	-6.67	-4.43	-2.29	-2.81	-2.76
330	1.55	2.51	1.93	-6.81	-8.76	-9.01	-6.78	-4.52	-2.21	-2.69	-2.77
331	1.59	2.51	1.87	-7.41	-9.56	-9.54	-6.79	-4.52	-2.11	-2.55	-2.80
332	1.63	2.51	1.80	-8.06	-10.32	-9.94	-6.71	-4.44	-1.98	-2.38	-2.87
333	1.66	2.51	1.74	-8.72	-10.92	-10.12	-6.54	-4.28	-1.85	-2.21	-2.96
334	1.69	2.50	1.68	-9.37	-11.28	-10.04	-6.32	-4.05	-1.71	-2.03	-3.08
335	1.72	2.49	1.62	-9.95	-11.33	-9.70	-6.05	-3.78	-1.58	-1.86	-3.21
336	1.74	2.47	1.57	-10.36	-11.10	-9.15	-5.74	-3.47	-1.44	-1.69	-3.37
337	1.75	2.46	1.53	-10.54	-10.64	-8.48	-5.42	-3.14	-1.31	-1.53	-3.54
338	1.76	2.44	1.49	-10.45	-10.06	-7.77	-5.09	-2.80	-1.19	-1.41	-3.73
339	1.77	2.42	1.46	-10.11	-9.43	-7.08	-4.77	-2.48	-1.07	-1.31	-3.95
340	1.77	2.40	1.44	-9.61	-8.80	-6.44	-4.45	-2.18	-0.96	-1.25	-4.20

341	1.77	2.38	1.42	-9.01	-8.18	-5.87	-4.16	-1.92	-0.87	-1.24	-4.49
342	1.76	2.35	1.41	-8.38	-7.61	-5.38	-3.90	-1.70	-0.80	-1.29	-4.84
343	1.75	2.33	1.41	-7.76	-7.07	-4.98	-3.68	-1.55	-0.76	-1.39	-5.26
344	1.74	2.30	1.41	-7.19	-6.58	-4.65	-3.51	-1.45	-0.77	-1.56	-5.76
345	1.72	2.28	1.42	-6.66	-6.12	-4.39	-3.38	-1.41	-0.82	-1.79	-6.36
346	1.70	2.25	1.43	-6.19	-5.71	-4.21	-3.31	-1.43	-0.93	-2.09	-7.06
347	1.67	2.22	1.44	-5.77	-5.35	-4.09	-3.30	-1.51	-1.09	-2.46	-7.88
348	1.64	2.19	1.45	-5.40	-5.03	-4.04	-3.34	-1.65	-1.31	-2.89	-8.83
349	1.61	2.15	1.47	-5.07	-4.76	-4.04	-3.44	-1.85	-1.58	-3.37	-9.90
350	1.57	2.12	1.48	-4.77	-4.53	-4.09	-3.60	-2.08	-1.90	-3.90	-11.06
351	1.54	2.08	1.49	-4.51	-4.36	-4.20	-3.82	-2.36	-2.25	-4.47	-12.23
352	1.50	2.04	1.50	-4.29	-4.24	-4.35	-4.09	-2.68	-2.63	-5.06	-13.22
353	1.45	2.00	1.51	-4.09	-4.17	-4.55	-4.42	-3.03	-3.02	-5.66	-13.76
354	1.41	1.95	1.52	-3.92	-4.16	-4.79	-4.80	-3.40	-3.40	-6.24	-13.63
355	1.36	1.90	1.52	-3.78	-4.19	-5.08	-5.24	-3.80	-3.77	-6.79	-12.90
356	1.31	1.85	1.51	-3.67	-4.27	-5.41	-5.74	-4.23	-4.12	-7.26	-11.82
357	1.26	1.79	1.51	-3.58	-4.39	-5.80	-6.30	-4.68	-4.43	-7.61	-10.64
358	1.21	1.73	1.49	-3.53	-4.56	-6.24	-6.91	-5.14	-4.71	-7.82	-9.49
359	1.15	1.67	1.47	-3.51	-4.77	-6.75	-7.58	-5.62	-4.95	-7.84	-8.43

Vertical

0	-26.99	-21.26	-18.22	-30.76	-31.85	-34.40	-36.88	-31.68	-34.00	-24.21	-24.31
1	-24.65	-19.55	-15.72	-27.63	-27.31	-26.24	-27.81	-30.66	-31.34	-27.81	-23.44
2	-24.65	-19.50	-15.70	-23.63	-26.17	-25.18	-26.97	-32.92	-31.45	-33.73	-29.22
3	-27.73	-22.50	-18.91	-28.22	-29.07	-28.39	-29.98	-39.05	-42.53	-26.36	-27.26
4	-38.95	-33.66	-29.77	-31.81	-45.04	-36.58	-30.12	-33.84	-33.61	-26.11	-24.54
5	-31.62	-24.98	-23.28	-23.93	-27.19	-28.34	-29.37	-30.18	-30.38	-37.03	-32.91
6	-25.24	-19.22	-17.93	-28.39	-26.45	-26.77	-30.97	-31.78	-36.56	-29.66	-28.14
7	-23.29	-17.64	-17.21	-27.32	-35.67	-35.24	-31.42	-43.74	-32.55	-25.19	-24.70
8	-23.80	-18.36	-19.49	-21.49	-27.02	-30.94	-32.33	-34.10	-27.36	-28.56	-30.98
9	-25.95	-19.84	-22.91	-23.93	-24.72	-25.51	-32.48	-30.00	-29.09	-28.76	-24.77
10	-25.91	-19.09	-20.62	-28.02	-29.02	-28.62	-30.92	-32.13	-35.04	-22.81	-20.92
11	-22.54	-17.10	-17.78	-21.93	-25.81	-31.80	-35.08	-40.74	-27.89	-21.99	-20.84
12	-20.01	-16.05	-16.87	-22.10	-22.59	-25.06	-36.66	-32.23	-25.61	-22.73	-18.82
13	-18.80	-15.99	-17.13	-27.00	-24.04	-25.02	-28.69	-28.41	-26.69	-20.37	-16.60
14	-18.40	-16.15	-17.08	-25.69	-25.47	-27.89	-28.48	-28.09	-25.65	-18.13	-15.90
15	-17.97	-15.56	-15.43	-21.52	-22.85	-25.33	-31.91	-29.22	-22.40	-17.33	-14.85
16	-16.81	-14.09	-13.04	-19.53	-21.39	-23.11	-28.38	-28.80	-20.51	-16.66	-13.17
17	-15.17	-12.40	-10.98	-19.21	-20.92	-22.60	-25.78	-25.90	-19.63	-15.28	-12.09
18	-13.61	-10.95	-9.52	-18.52	-20.11	-22.18	-25.87	-23.21	-18.50	-13.66	-11.45
19	-12.37	-9.82	-8.53	-15.87	-17.90	-20.49	-26.08	-21.74	-16.52	-12.21	-10.48
20	-11.40	-8.90	-7.70	-13.76	-15.44	-17.72	-24.18	-21.54	-14.62	-11.03	-9.14
21	-10.58	-8.05	-6.79	-12.99	-14.09	-15.78	-20.95	-22.35	-13.68	-10.34	-8.12
22	-9.76	-7.20	-5.80	-13.17	-13.99	-15.33	-18.52	-23.40	-13.92	-10.46	-8.00
23	-8.91	-6.42	-4.93	-13.72	-14.75	-16.04	-17.65	-23.13	-15.31	-11.73	-8.81

24	-8.13	-5.83	-4.34	-13.79	-15.65	-16.73	-17.68	-20.94	-17.69	-14.28	-9.66
25	-7.55	-5.49	-4.11	-13.30	-15.53	-15.60	-16.88	-18.42	-21.00	-17.01	-9.50
26	-7.25	-5.43	-4.27	-12.98	-14.16	-13.17	-14.89	-16.82	-25.62	-17.34	-9.07
27	-7.27	-5.63	-4.73	-12.81	-12.61	-11.25	-12.97	-16.48	-31.58	-16.51	-9.31
28	-7.56	-5.98	-5.31	-12.12	-11.48	-10.40	-11.91	-17.35	-30.61	-16.24	-9.86
29	-7.94	-6.27	-5.72	-11.02	-10.85	-10.56	-12.04	-19.12	-27.39	-16.15	-9.81
30	-8.13	-6.28	-5.73	-10.45	-10.77	-11.35	-13.23	-20.95	-27.52	-15.59	-9.36
31	-7.94	-5.97	-5.47	-10.90	-11.08	-11.95	-13.82	-20.07	-29.64	-14.67	-9.26
32	-7.43	-5.56	-5.22	-11.69	-11.00	-11.32	-12.39	-17.08	-23.90	-13.74	-9.43
33	-6.86	-5.29	-5.19	-10.99	-9.73	-9.80	-10.92	-15.20	-19.00	-12.89	-9.22
34	-6.46	-5.27	-5.42	-9.16	-8.20	-8.64	-10.63	-15.29	-17.16	-12.40	-8.59
35	-6.29	-5.46	-5.89	-7.88	-7.55	-8.50	-11.70	-17.63	-17.90	-12.79	-8.40
36	-6.32	-5.77	-6.50	-7.66	-8.12	-9.47	-13.76	-22.43	-21.29	-14.37	-9.19
37	-6.39	-6.10	-7.17	-8.40	-9.74	-10.96	-14.68	-23.18	-27.92	-16.82	-10.73
38	-6.38	-6.35	-7.75	-9.52	-11.29	-11.35	-13.23	-19.17	-36.38	-18.43	-11.98
39	-6.19	-6.48	-8.11	-10.22	-11.26	-10.57	-12.05	-17.24	-35.36	-18.67	-12.50
40	-5.89	-6.49	-8.09	-10.47	-10.72	-10.36	-12.09	-16.78	-28.26	-19.71	-13.04
41	-5.55	-6.35	-7.68	-10.77	-11.11	-11.37	-12.58	-16.20	-23.33	-23.26	-13.84
42	-5.23	-6.05	-7.07	-11.25	-12.34	-12.45	-12.14	-14.58	-20.79	-28.20	-14.47
43	-4.92	-5.65	-6.53	-11.79	-12.90	-11.60	-11.00	-13.10	-20.20	-24.18	-14.67
44	-4.60	-5.27	-6.27	-12.47	-12.19	-10.26	-10.24	-12.52	-20.89	-22.13	-14.80
45	-4.27	-5.00	-6.37	-13.29	-11.71	-9.99	-10.00	-12.45	-20.27	-24.03	-14.99
46	-3.99	-4.93	-6.80	-13.80	-11.99	-10.55	-9.77	-12.07	-18.02	-30.33	-15.10
47	-3.81	-5.04	-7.40	-13.84	-12.19	-10.56	-9.19	-11.40	-16.87	-35.13	-15.40
48	-3.76	-5.24	-7.86	-13.90	-11.53	-9.46	-8.61	-11.07	-17.15	-30.69	-16.41
49	-3.81	-5.39	-7.96	-13.98	-10.72	-8.56	-8.42	-11.21	-17.41	-25.74	-18.10
50	-3.85	-5.41	-7.77	-13.40	-10.46	-8.54	-8.58	-11.36	-16.66	-22.83	-19.57
51	-3.78	-5.30	-7.59	-12.33	-10.60	-8.92	-8.73	-11.07	-16.22	-22.73	-19.60
52	-3.59	-5.19	-7.64	-11.70	-10.66	-8.90	-8.67	-10.63	-16.75	-22.70	-18.68
53	-3.35	-5.18	-7.98	-11.83	-10.55	-8.75	-8.65	-10.51	-17.21	-19.83	-18.48
54	-3.20	-5.31	-8.54	-12.19	-10.48	-9.16	-8.88	-10.57	-16.25	-18.00	-19.88
55	-3.23	-5.57	-9.20	-12.12	-10.51	-10.03	-9.14	-10.31	-14.94	-18.72	-22.10
56	-3.43	-5.87	-9.82	-12.03	-10.51	-10.41	-9.10	-9.86	-14.66	-21.43	-21.41
57	-3.73	-6.14	-10.25	-12.49	-10.55	-9.96	-8.95	-9.89	-15.57	-21.38	-19.19
58	-3.98	-6.32	-10.37	-13.20	-10.88	-9.58	-9.15	-10.61	-16.33	-19.36	-18.04
59	-4.06	-6.38	-10.12	-13.42	-11.53	-9.79	-9.79	-11.47	-15.41	-20.10	-17.38
60	-3.97	-6.31	-9.56	-13.32	-12.23	-10.24	-10.58	-11.66	-14.39	-24.58	-16.28
61	-3.79	-6.12	-8.88	-13.77	-12.78	-10.45	-11.06	-11.42	-14.55	-25.52	-15.14
62	-3.63	-5.83	-8.28	-15.03	-13.21	-10.77	-11.24	-11.60	-15.82	-21.97	-14.65
63	-3.54	-5.48	-7.80	-16.26	-13.56	-11.75	-11.54	-12.35	-17.38	-22.51	-14.52
64	-3.47	-5.12	-7.38	-16.45	-13.84	-13.22	-12.22	-13.26	-18.31	-26.30	-14.06
65	-3.37	-4.79	-6.88	-16.22	-14.22	-14.41	-13.22	-13.82	-18.83	-26.04	-13.45
66	-3.21	-4.46	-6.24	-16.12	-14.88	-15.01	-14.35	-14.19	-19.46	-24.22	-13.34
67	-2.99	-4.09	-5.52	-15.98	-15.80	-15.48	-15.46	-14.75	-19.82	-26.28	-13.89

68	-2.73	-3.68	-4.83	-15.47	-16.58	-16.17	-16.43	-15.42	-19.24	-32.10	-14.80
69	-2.47	-3.26	-4.25	-14.43	-16.72	-16.70	-16.99	-15.59	-17.94	-29.51	-15.79
70	-2.19	-2.89	-3.77	-13.20	-16.10	-16.12	-16.72	-14.94	-16.61	-28.64	-16.89
71	-1.91	-2.58	-3.35	-12.20	-15.05	-14.58	-15.64	-13.88	-15.52	-29.25	-18.00
72	-1.63	-2.30	-2.92	-11.36	-13.74	-13.11	-14.21	-12.95	-14.40	-21.48	-18.21
73	-1.38	-2.01	-2.46	-10.31	-12.15	-12.11	-12.74	-12.29	-12.81	-17.03	-16.82
74	-1.17	-1.66	-2.01	-9.02	-10.55	-11.42	-11.33	-11.64	-11.00	-15.09	-14.65
75	-0.99	-1.26	-1.61	-7.84	-9.39	-10.59	-10.12	-10.65	-9.51	-13.48	-12.62
76	-0.80	-0.84	-1.25	-7.05	-8.83	-9.54	-9.21	-9.34	-8.49	-11.15	-11.14
77	-0.58	-0.47	-0.91	-6.63	-8.54	-8.60	-8.50	-8.04	-7.74	-9.27	-10.20
78	-0.33	-0.16	-0.55	-6.40	-8.02	-7.90	-7.77	-7.04	-7.11	-8.52	-9.45
79	-0.05	0.10	-0.18	-6.16	-7.24	-7.29	-7.02	-6.38	-6.59	-8.42	-8.51
80	0.21	0.32	0.15	-5.78	-6.60	-6.67	-6.49	-5.94	-6.17	-7.87	-7.52
81	0.44	0.52	0.38	-5.23	-6.21	-6.15	-6.33	-5.52	-5.76	-6.70	-6.86
82	0.63	0.69	0.51	-4.64	-5.88	-5.86	-6.37	-5.01	-5.22	-5.80	-6.63
83	0.79	0.82	0.60	-4.20	-5.48	-5.80	-6.19	-4.54	-4.62	-5.51	-6.66
84	0.91	0.92	0.72	-3.99	-5.18	-5.81	-5.74	-4.23	-4.15	-5.54	-6.73
85	0.99	1.01	0.93	-3.94	-5.14	-5.78	-5.43	-4.13	-3.91	-5.61	-6.89
86	1.02	1.12	1.20	-3.94	-5.20	-5.68	-5.53	-4.14	-3.90	-5.82	-7.28
87	1.02	1.28	1.42	-3.92	-5.08	-5.65	-5.98	-4.19	-4.04	-6.28	-7.74
88	1.02	1.46	1.53	-3.85	-4.80	-5.82	-6.49	-4.39	-4.28	-6.80	-7.96
89	1.07	1.60	1.53	-3.70	-4.65	-6.25	-6.94	-4.89	-4.59	-7.25	-8.05
90	1.15	1.67	1.47	-3.51	-4.77	-6.75	-7.58	-5.62	-4.95	-7.84	-8.43
91	1.23	1.65	1.47	-3.36	-4.97	-7.06	-8.53	-6.31	-5.37	-8.63	-9.27
92	1.26	1.58	1.59	-3.30	-5.04	-7.17	-9.61	-6.84	-5.95	-9.32	-10.41
93	1.18	1.51	1.80	-3.27	-4.92	-7.31	-10.55	-7.53	-6.79	-9.80	-11.91
94	1.03	1.51	2.00	-3.25	-4.80	-7.58	-11.27	-8.79	-7.86	-10.58	-14.37
95	0.86	1.56	2.11	-3.20	-4.74	-7.72	-11.86	-10.75	-9.06	-12.04	-18.85
96	0.74	1.62	2.09	-3.12	-4.66	-7.39	-12.20	-13.18	-10.35	-13.84	-24.16
97	0.71	1.66	1.97	-2.95	-4.45	-6.63	-12.05	-15.74	-11.82	-14.72	-18.52
98	0.74	1.63	1.84	-2.65	-4.08	-5.90	-11.26	-17.90	-13.46	-13.70	-13.43
99	0.77	1.55	1.75	-2.33	-3.66	-5.47	-9.94	-17.52	-14.67	-11.53	-9.88
100	0.73	1.45	1.75	-2.07	-3.25	-5.17	-8.41	-14.66	-14.33	-9.50	-7.21
101	0.61	1.37	1.85	-1.81	-2.81	-4.54	-6.94	-11.77	-12.45	-7.89	-5.18
102	0.47	1.35	2.01	-1.46	-2.31	-3.50	-5.59	-9.26	-9.96	-6.34	-3.65
103	0.37	1.38	2.18	-1.07	-1.74	-2.51	-4.35	-7.07	-7.59	-4.69	-2.45
104	0.34	1.45	2.31	-0.79	-1.20	-1.89	-3.25	-5.32	-5.72	-3.25	-1.43
105	0.35	1.50	2.37	-0.66	-0.81	-1.55	-2.37	-4.06	-4.39	-2.21	-0.54
106	0.33	1.50	2.33	-0.50	-0.59	-1.20	-1.73	-3.12	-3.40	-1.41	0.15
107	0.23	1.42	2.20	-0.16	-0.39	-0.68	-1.23	-2.26	-2.47	-0.63	0.64
108	0.04	1.28	2.02	0.24	-0.09	-0.18	-0.76	-1.40	-1.45	0.12	1.02
109	-0.16	1.14	1.86	0.45	0.28	0.13	-0.30	-0.60	-0.49	0.70	1.38
110	-0.30	1.03	1.76	0.46	0.57	0.27	0.11	0.05	0.24	1.15	1.71
111	-0.32	1.01	1.75	0.45	0.68	0.39	0.41	0.57	0.72	1.61	1.92



112	-0.25	1.05	1.80	0.58	0.69	0.57	0.65	1.00	1.12	2.07	2.06
113	-0.17	1.10	1.82	0.71	0.76	0.76	0.88	1.37	1.59	2.42	2.28
114	-0.18	1.11	1.74	0.69	0.90	0.91	1.10	1.64	2.08	2.65	2.56
115	-0.29	1.03	1.55	0.55	0.99	1.00	1.25	1.84	2.45	2.87	2.67
116	-0.49	0.86	1.23	0.48	0.96	1.04	1.27	2.01	2.62	3.12	2.51
117	-0.72	0.64	0.83	0.53	0.88	0.99	1.18	2.14	2.67	3.21	2.21
118	-0.91	0.40	0.39	0.55	0.83	0.84	1.04	2.14	2.72	3.04	2.02
119	-1.03	0.18	-0.06	0.41	0.76	0.60	0.90	1.99	2.76	2.73	1.84
120	-1.10	-0.06	-0.50	0.18	0.57	0.35	0.74	1.75	2.69	2.55	1.41
121	-1.18	-0.34	-0.95	-0.04	0.23	0.14	0.47	1.52	2.46	2.48	0.69
122	-1.32	-0.70	-1.43	-0.30	-0.13	-0.05	0.05	1.27	2.15	2.22	0.04
123	-1.52	-1.13	-1.93	-0.71	-0.39	-0.32	-0.48	0.90	1.82	1.60	-0.33
124	-1.76	-1.61	-2.43	-1.26	-0.63	-0.72	-1.04	0.33	1.46	0.83	-0.79
125	-2.03	-2.07	-2.90	-1.73	-0.97	-1.26	-1.66	-0.37	0.93	0.26	-1.81
126	-2.29	-2.46	-3.36	-1.99	-1.44	-1.87	-2.43	-1.04	0.21	-0.19	-3.32
127	-2.57	-2.79	-3.83	-2.22	-1.92	-2.48	-3.41	-1.65	-0.61	-0.96	-4.57
128	-2.86	-3.08	-4.35	-2.65	-2.31	-3.08	-4.53	-2.36	-1.35	-2.26	-5.24
129	-3.18	-3.40	-4.95	-3.32	-2.69	-3.72	-5.59	-3.33	-2.04	-3.76	-6.16
130	-3.53	-3.77	-5.65	-4.06	-3.22	-4.50	-6.49	-4.55	-2.94	-4.84	-8.03
131	-3.89	-4.16	-6.43	-4.68	-3.98	-5.39	-7.37	-5.83	-4.25	-5.64	-10.35
132	-4.21	-4.54	-7.26	-5.18	-4.82	-6.24	-8.47	-6.99	-5.93	-7.03	-11.42
133	-4.49	-4.85	-8.11	-5.70	-5.50	-6.86	-9.87	-8.16	-7.58	-9.46	-11.69
134	-4.74	-5.09	-8.93	-6.32	-5.93	-7.24	-11.40	-9.68	-8.92	-12.17	-12.75
135	-4.98	-5.31	-9.70	-7.05	-6.26	-7.56	-12.73	-11.79	-10.32	-13.29	-13.57
136	-5.24	-5.58	-10.41	-7.87	-6.66	-7.97	-13.63	-14.51	-12.53	-13.96	-12.35
137	-5.52	-5.94	-11.05	-8.79	-7.15	-8.51	-14.18	-17.56	-16.20	-16.57	-10.98
138	-5.79	-6.42	-11.62	-9.68	-7.70	-9.03	-14.54	-20.52	-22.12	-22.69	-10.59
139	-6.02	-6.97	-12.07	-10.33	-8.28	-9.38	-14.83	-23.02	-32.67	-22.66	-10.48
140	-6.18	-7.50	-12.32	-10.69	-8.85	-9.54	-15.04	-23.79	-40.30	-18.00	-9.73
141	-6.31	-7.95	-12.31	-11.02	-9.37	-9.63	-15.02	-22.13	-29.42	-16.86	-8.84
142	-6.44	-8.28	-12.08	-11.63	-9.72	-9.77	-14.64	-20.06	-23.81	-17.89	-8.65
143	-6.66	-8.54	-11.72	-12.53	-9.84	-9.97	-14.03	-18.40	-20.42	-19.14	-9.35
144	-6.99	-8.81	-11.33	-13.40	-9.80	-10.11	-13.45	-17.06	-18.41	-18.26	-10.54
145	-7.44	-9.13	-11.02	-13.86	-9.75	-10.05	-12.96	-15.94	-16.81	-16.57	-11.57
146	-7.95	-9.46	-10.84	-13.99	-9.73	-9.76	-12.48	-15.05	-15.06	-15.19	-12.10
147	-8.47	-9.71	-10.79	-14.22	-9.69	-9.29	-11.92	-14.32	-13.38	-13.77	-12.05
148	-8.90	-9.77	-10.85	-14.72	-9.56	-8.72	-11.28	-13.59	-12.13	-12.20	-11.20
149	-9.24	-9.63	-10.96	-15.11	-9.33	-8.18	-10.65	-12.73	-11.28	-10.77	-9.79
150	-9.51	-9.40	-11.05	-14.97	-9.13	-7.76	-10.10	-11.78	-10.55	-9.56	-8.39
151	-9.78	-9.21	-11.08	-14.31	-9.02	-7.50	-9.65	-10.85	-9.65	-8.44	-7.19
152	-10.09	-9.17	-11.07	-13.41	-8.96	-7.33	-9.25	-10.05	-8.61	-7.30	-6.07
153	-10.42	-9.30	-11.05	-12.67	-8.78	-7.14	-8.89	-9.40	-7.67	-6.17	-4.94
154	-10.73	-9.55	-11.09	-12.21	-8.39	-6.83	-8.55	-8.88	-6.98	-5.17	-3.91
155	-10.92	-9.80	-11.24	-11.82	-7.85	-6.41	-8.22	-8.48	-6.52	-4.38	-3.11

156	-10.98	-9.97	-11.55	-11.30	-7.35	-5.98	-7.87	-8.19	-6.14	-3.80	-2.54
157	-10.98	-10.08	-11.96	-10.77	-7.01	-5.66	-7.48	-8.01	-5.70	-3.36	-2.17
158	-11.03	-10.21	-12.35	-10.36	-6.82	-5.47	-7.11	-7.92	-5.23	-3.03	-1.91
159	-11.25	-10.47	-12.48	-10.07	-6.70	-5.36	-6.84	-7.83	-4.83	-2.77	-1.77
160	-11.69	-10.94	-12.15	-9.83	-6.54	-5.24	-6.70	-7.70	-4.62	-2.58	-1.72
161	-12.35	-11.58	-11.41	-9.56	-6.37	-5.10	-6.71	-7.55	-4.61	-2.49	-1.73
162	-13.09	-12.20	-10.56	-9.33	-6.27	-4.97	-6.82	-7.44	-4.75	-2.49	-1.77
163	-13.70	-12.58	-9.91	-9.32	-6.30	-4.90	-7.00	-7.46	-4.95	-2.59	-1.89
164	-13.97	-12.59	-9.64	-9.59	-6.42	-4.94	-7.25	-7.63	-5.13	-2.77	-2.18
165	-13.89	-12.37	-9.83	-10.05	-6.54	-5.09	-7.58	-7.90	-5.31	-3.01	-2.70
166	-13.64	-12.18	-10.45	-10.40	-6.59	-5.34	-8.00	-8.21	-5.55	-3.32	-3.37
167	-13.45	-12.25	-11.38	-10.51	-6.61	-5.67	-8.47	-8.51	-5.92	-3.70	-4.02
168	-13.47	-12.72	-12.41	-10.55	-6.77	-6.08	-8.93	-8.83	-6.44	-4.18	-4.52
169	-13.78	-13.59	-13.04	-10.76	-7.21	-6.53	-9.40	-9.27	-7.06	-4.76	-4.96
170	-14.35	-14.68	-12.80	-11.26	-7.90	-7.01	-9.93	-9.92	-7.74	-5.45	-5.60
171	-15.09	-15.51	-11.95	-11.92	-8.68	-7.57	-10.67	-10.81	-8.46	-6.32	-6.66
172	-15.81	-15.69	-11.18	-12.40	-9.37	-8.31	-11.70	-11.85	-9.24	-7.44	-8.10
173	-16.35	-15.45	-10.88	-12.62	-9.98	-9.32	-13.01	-12.85	-10.19	-8.90	-9.67
174	-16.68	-15.28	-11.11	-12.79	-10.76	-10.69	-14.44	-13.74	-11.44	-10.73	-11.22
175	-16.91	-15.55	-11.80	-13.15	-12.09	-12.36	-15.84	-14.65	-13.15	-12.86	-12.74
176	-17.27	-16.46	-12.80	-13.99	-14.12	-14.12	-17.26	-15.99	-15.54	-15.35	-14.49
177	-17.95	-18.19	-13.78	-15.53	-16.75	-15.87	-19.03	-18.41	-18.95	-18.68	-16.82
178	-19.01	-20.75	-14.16	-17.60	-19.62	-17.94	-21.77	-23.15	-23.88	-24.67	-19.09
179	-20.24	-23.23	-13.67	-19.66	-22.72	-21.29	-26.68	-34.34	-32.09	-41.26	-19.75
180	-21.00	-23.30	-13.00	-21.14	-27.18	-28.93	-37.35	-27.72	-36.16	-22.33	-18.47
181	-20.68	-21.52	-12.87	-22.01	-31.96	-32.15	-27.23	-22.29	-25.83	-16.94	-15.77
182	-19.52	-19.47	-13.50	-23.12	-25.55	-21.82	-20.76	-19.83	-20.29	-14.14	-13.07
183	-18.05	-17.35	-14.57	-25.20	-21.36	-17.66	-17.02	-18.18	-16.43	-12.40	-11.07
184	-16.56	-15.36	-15.16	-27.79	-19.46	-15.18	-14.59	-16.52	-13.68	-11.02	-9.71
185	-15.24	-13.78	-14.79	-29.23	-18.24	-13.29	-12.94	-14.71	-11.90	-9.73	-8.70
186	-14.22	-12.71	-14.07	-28.59	-16.60	-11.68	-11.74	-13.03	-10.90	-8.60	-7.68
187	-13.53	-12.10	-13.48	-26.42	-14.58	-10.31	-10.77	-11.72	-10.32	-7.72	-6.52
188	-13.13	-11.80	-13.04	-23.58	-12.79	-9.19	-9.91	-10.82	-9.76	-7.07	-5.45
189	-12.97	-11.68	-12.75	-21.12	-11.58	-8.27	-9.16	-10.27	-9.02	-6.59	-4.76
190	-12.96	-11.69	-12.74	-19.43	-10.88	-7.54	-8.58	-9.93	-8.17	-6.19	-4.49
191	-13.03	-11.75	-13.03	-18.30	-10.43	-7.02	-8.17	-9.68	-7.45	-5.84	-4.47
192	-13.10	-11.74	-13.32	-17.30	-10.03	-6.70	-7.89	-9.38	-6.98	-5.56	-4.49
193	-13.07	-11.52	-13.12	-16.27	-9.66	-6.47	-7.62	-8.91	-6.74	-5.35	-4.44
194	-12.93	-11.07	-12.26	-15.46	-9.38	-6.24	-7.32	-8.26	-6.64	-5.20	-4.40
195	-12.71	-10.50	-11.15	-15.10	-9.12	-5.89	-7.04	-7.56	-6.69	-5.15	-4.48
196	-12.52	-9.98	-10.18	-15.06	-8.79	-5.52	-6.86	-7.04	-6.90	-5.22	-4.69
197	-12.40	-9.62	-9.55	-14.90	-8.42	-5.33	-6.80	-6.83	-7.20	-5.39	-4.93
198	-12.33	-9.50	-9.30	-14.29	-8.16	-5.44	-6.77	-6.89	-7.39	-5.60	-5.16
199	-12.21	-9.63	-9.38	-13.46	-8.11	-5.73	-6.71	-7.07	-7.33	-5.81	-5.40

200	-11.96	-9.96	-9.65	-12.81	-8.13	-5.95	-6.64	-7.20	-7.16	-6.11	-5.71
201	-11.53	-10.34	-9.89	-12.48	-7.98	-5.96	-6.65	-7.27	-7.21	-6.55	-6.07
202	-11.00	-10.56	-9.91	-12.24	-7.61	-5.88	-6.73	-7.42	-7.63	-7.07	-6.48
203	-10.49	-10.51	-9.73	-11.78	-7.21	-5.96	-6.84	-7.76	-8.18	-7.60	-7.05
204	-10.13	-10.21	-9.50	-11.04	-7.00	-6.25	-6.93	-8.25	-8.50	-8.21	-7.91
205	-9.92	-9.80	-9.41	-10.23	-6.95	-6.50	-7.01	-8.73	-8.53	-9.14	-8.97
206	-9.84	-9.44	-9.51	-9.46	-6.89	-6.42	-7.14	-9.06	-8.65	-10.56	-9.82
207	-9.79	-9.17	-9.75	-8.70	-6.65	-6.03	-7.32	-9.27	-9.19	-12.28	-10.26
208	-9.68	-9.00	-10.02	-7.90	-6.23	-5.59	-7.49	-9.46	-10.22	-13.67	-10.74
209	-9.50	-8.90	-10.16	-7.18	-5.72	-5.31	-7.56	-9.65	-11.46	-14.39	-11.86
210	-9.27	-8.85	-10.14	-6.59	-5.16	-5.11	-7.54	-9.80	-12.50	-14.95	-13.99
211	-9.07	-8.82	-10.04	-6.02	-4.54	-4.85	-7.46	-9.88	-13.17	-15.90	-17.13
212	-8.93	-8.85	-9.96	-5.31	-3.91	-4.45	-7.26	-9.97	-13.54	-17.35	-20.24
213	-8.84	-8.94	-9.96	-4.50	-3.38	-4.01	-6.86	-10.11	-13.56	-19.05	-21.57
214	-8.71	-9.08	-10.05	-3.83	-2.97	-3.59	-6.30	-10.23	-13.14	-20.24	-22.24
215	-8.46	-9.21	-10.17	-3.46	-2.58	-3.13	-5.75	-10.06	-12.41	-20.08	-23.71
216	-8.08	-9.20	-10.27	-3.26	-2.11	-2.59	-5.35	-9.42	-11.71	-18.81	-24.16
217	-7.65	-9.01	-10.33	-2.95	-1.60	-2.02	-5.04	-8.46	-11.21	-16.57	-20.79
218	-7.27	-8.67	-10.35	-2.43	-1.16	-1.55	-4.58	-7.52	-10.67	-13.80	-17.56
219	-7.04	-8.31	-10.29	-1.89	-0.81	-1.18	-3.82	-6.78	-9.56	-11.56	-16.07
220	-6.94	-8.04	-10.14	-1.49	-0.44	-0.81	-2.96	-6.13	-7.85	-10.26	-15.78
221	-6.91	-7.91	-9.85	-1.18	-0.06	-0.34	-2.29	-5.35	-6.24	-9.59	-14.65
222	-6.80	-7.87	-9.42	-0.86	0.23	0.14	-1.87	-4.42	-5.24	-8.63	-12.13
223	-6.54	-7.80	-8.88	-0.58	0.40	0.54	-1.55	-3.50	-4.74	-6.94	-10.18
224	-6.16	-7.55	-8.34	-0.48	0.57	0.81	-1.11	-2.77	-4.20	-5.25	-9.43
225	-5.77	-7.06	-7.86	-0.52	0.87	1.02	-0.56	-2.20	-3.23	-4.18	-9.22
226	-5.50	-6.43	-7.48	-0.54	1.22	1.20	-0.05	-1.69	-2.14	-3.64	-8.32
227	-5.42	-5.85	-7.15	-0.42	1.37	1.33	0.29	-1.17	-1.37	-3.10	-6.76
228	-5.49	-5.47	-6.78	-0.26	1.24	1.44	0.48	-0.70	-0.94	-2.30	-5.55
229	-5.57	-5.35	-6.29	-0.23	1.01	1.57	0.62	-0.34	-0.59	-1.48	-4.94
230	-5.47	-5.43	-5.69	-0.35	0.94	1.70	0.74	-0.06	-0.06	-0.89	-4.40
231	-5.08	-5.58	-5.08	-0.58	1.02	1.70	0.89	0.20	0.52	-0.45	-3.46
232	-4.49	-5.55	-4.56	-0.89	1.01	1.54	1.07	0.44	0.93	0.01	-2.43
233	-3.90	-5.19	-4.19	-1.22	0.82	1.35	1.19	0.60	1.11	0.47	-1.69
234	-3.45	-4.56	-3.94	-1.44	0.49	1.29	1.15	0.69	1.19	0.82	-1.20
235	-3.20	-3.89	-3.74	-1.58	0.11	1.27	0.94	0.75	1.27	1.07	-0.74
236	-3.08	-3.37	-3.50	-1.84	-0.30	1.05	0.74	0.81	1.33	1.29	-0.23
237	-2.97	-3.08	-3.20	-2.35	-0.68	0.54	0.68	0.80	1.36	1.46	0.23
238	-2.74	-2.98	-2.88	-2.93	-1.01	-0.02	0.59	0.66	1.35	1.50	0.62
239	-2.33	-2.92	-2.60	-3.32	-1.47	-0.44	0.20	0.40	1.27	1.42	0.95
240	-1.83	-2.74	-2.40	-3.74	-2.26	-0.85	-0.51	0.03	1.05	1.28	1.16
241	-1.34	-2.36	-2.25	-4.63	-3.26	-1.58	-1.25	-0.45	0.64	1.07	1.19
242	-0.97	-1.81	-2.05	-5.97	-4.06	-2.67	-1.80	-1.10	0.05	0.70	1.06
243	-0.73	-1.25	-1.71	-7.17	-4.74	-3.85	-2.47	-1.92	-0.71	0.17	0.86

244	-0.57	-0.80	-1.26	-7.94	-6.00	-4.93	-3.64	-2.85	-1.68	-0.43	0.62
245	-0.42	-0.51	-0.79	-8.87	-8.16	-6.23	-5.22	-3.87	-2.85	-1.12	0.30
246	-0.19	-0.35	-0.41	-10.29	-10.23	-8.18	-6.77	-5.17	-4.15	-2.07	-0.10
247	0.10	-0.21	-0.17	-10.92	-11.04	-10.68	-8.43	-6.94	-5.74	-3.43	-0.59
248	0.43	0.01	-0.07	-9.78	-11.81	-12.63	-11.08	-9.15	-8.10	-5.18	-1.23
249	0.73	0.37	-0.01	-8.38	-12.25	-12.85	-14.45	-11.49	-11.80	-7.33	-2.08
250	0.96	0.82	0.16	-7.45	-10.30	-11.90	-14.99	-13.84	-16.40	-10.12	-3.12
251	1.13	1.25	0.51	-6.47	-8.04	-10.26	-13.98	-15.10	-18.41	-13.88	-4.35
252	1.28	1.58	0.99	-4.95	-6.53	-8.13	-12.54	-12.73	-16.45	-18.16	-6.03
253	1.45	1.77	1.49	-3.27	-5.01	-6.01	-9.21	-9.54	-11.63	-17.20	-8.64
254	1.65	1.85	1.87	-1.98	-3.26	-4.25	-6.21	-7.25	-7.56	-12.47	-12.61
255	1.85	1.90	2.10	-1.13	-1.89	-2.86	-4.47	-5.52	-5.08	-9.14	-18.57
256	2.00	2.01	2.16	-0.28	-1.02	-1.58	-3.33	-3.87	-3.52	-7.12	-24.15
257	2.06	2.20	2.13	0.87	-0.14	-0.33	-1.95	-2.27	-2.13	-5.55	-17.27
258	2.02	2.41	2.10	1.96	0.95	0.71	-0.50	-0.95	-0.76	-3.86	-12.68
259	1.91	2.55	2.13	2.51	1.86	1.38	0.41	0.00	0.21	-2.36	-10.37
260	1.79	2.56	2.21	2.61	2.31	1.74	0.71	0.64	0.67	-1.53	-9.14
261	1.74	2.45	2.27	2.81	2.50	2.06	0.89	1.09	0.93	-1.28	-8.05
262	1.79	2.31	2.28	3.37	2.76	2.49	1.39	1.46	1.35	-1.00	-6.83
263	1.87	2.24	2.27	3.91	3.11	2.93	2.04	1.79	1.87	-0.33	-5.79
264	1.93	2.29	2.28	4.09	3.34	3.25	2.47	2.09	2.23	0.34	-5.10
265	1.87	2.43	2.39	4.11	3.49	3.52	2.70	2.35	2.44	0.62	-4.48
266	1.69	2.53	2.56	4.34	3.76	3.79	2.94	2.53	2.67	0.65	-3.75
267	1.43	2.50	2.73	4.72	4.11	3.99	3.19	2.63	2.89	0.76	-3.14
268	1.19	2.34	2.80	4.93	4.32	4.02	3.31	2.68	2.89	0.87	-2.90
269	1.06	2.11	2.73	4.97	4.38	3.95	3.28	2.70	2.64	0.72	-2.95
270	1.06	1.92	2.55	5.08	4.44	3.92	3.21	2.64	2.36	0.34	-3.05
271	1.11	1.84	2.36	5.25	4.54	3.89	3.10	2.47	2.16	-0.03	-3.20
272	1.09	1.82	2.21	5.22	4.49	3.71	2.80	2.21	1.84	-0.39	-3.53
273	0.96	1.77	2.11	5.00	4.29	3.41	2.33	1.85	1.27	-0.97	-4.03
274	0.71	1.57	1.98	4.81	4.06	3.11	1.90	1.36	0.58	-1.84	-4.57
275	0.43	1.23	1.74	4.68	3.79	2.80	1.57	0.75	-0.02	-2.76	-5.19
276	0.19	0.82	1.39	4.40	3.34	2.35	1.20	0.11	-0.62	-3.53	-6.11
277	0.01	0.46	0.99	3.92	2.74	1.79	0.71	-0.48	-1.42	-4.32	-7.35
278	-0.16	0.17	0.63	3.52	2.27	1.30	0.22	-1.06	-2.34	-5.19	-8.60
279	-0.39	-0.09	0.37	3.32	2.04	0.96	-0.19	-1.81	-3.12	-5.94	-9.55
280	-0.71	-0.44	0.12	3.03	1.79	0.55	-0.68	-2.70	-3.85	-6.56	-10.54
281	-1.06	-0.93	-0.22	2.46	1.34	-0.01	-1.35	-3.46	-4.81	-7.53	-12.06
282	-1.34	-1.53	-0.74	1.90	0.87	-0.57	-2.02	-3.92	-5.87	-9.03	-14.06
283	-1.42	-2.06	-1.45	1.64	0.55	-1.00	-2.54	-4.38	-6.51	-10.13	-15.87
284	-1.31	-2.33	-2.24	1.40	0.16	-1.49	-3.10	-5.15	-6.96	-10.21	-17.36
285	-1.11	-2.31	-2.91	0.80	-0.45	-2.09	-3.75	-5.98	-7.94	-10.50	-19.24
286	-0.95	-2.19	-3.31	0.15	-0.93	-2.49	-4.04	-6.23	-9.05	-11.51	-21.47
287	-0.87	-2.15	-3.49	-0.11	-1.08	-2.59	-3.81	-5.91	-8.63	-11.83	-23.01

288	-0.86	-2.29	-3.59	-0.24	-1.23	-2.67	-3.63	-5.52	-7.24	-10.68	-22.04
289	-0.86	-2.54	-3.72	-0.62	-1.56	-2.75	-3.73	-5.15	-6.35	-9.51	-18.02
290	-0.81	-2.76	-3.90	-0.89	-1.59	-2.52	-3.66	-4.64	-5.87	-8.74	-14.56
291	-0.77	-2.86	-4.14	-0.72	-1.17	-2.09	-3.19	-4.07	-5.22	-7.92	-12.73
292	-0.77	-2.85	-4.48	-0.55	-0.87	-1.92	-2.76	-3.59	-4.44	-6.99	-11.91
293	-0.86	-2.81	-4.95	-0.72	-0.89	-1.94	-2.57	-3.14	-3.87	-6.24	-10.88
294	-1.01	-2.76	-5.47	-0.76	-0.78	-1.61	-2.25	-2.58	-3.43	-5.64	-9.20
295	-1.15	-2.69	-5.78	-0.32	-0.33	-0.96	-1.60	-2.01	-2.84	-4.97	-7.67
296	-1.22	-2.56	-5.62	-0.07	-0.04	-0.57	-1.01	-1.63	-2.21	-4.23	-6.62
297	-1.23	-2.45	-5.10	-0.45	-0.20	-0.64	-0.82	-1.54	-1.93	-3.71	-5.75
298	-1.29	-2.48	-4.65	-0.94	-0.33	-0.64	-0.84	-1.55	-2.05	-3.53	-4.87
299	-1.50	-2.79	-4.66	-0.64	0.08	-0.07	-0.64	-1.49	-2.24	-3.56	-4.28
300	-1.87	-3.39	-5.34	0.04	0.64	0.56	-0.24	-1.39	-2.16	-3.56	-4.28
301	-2.29	-4.06	-6.62	0.12	0.68	0.63	-0.07	-1.38	-2.01	-3.47	-4.62
302	-2.49	-4.33	-7.76	-0.45	0.28	0.26	-0.22	-1.41	-2.09	-3.43	-4.67
303	-2.25	-3.85	-7.32	-0.61	0.22	0.19	-0.28	-1.25	-2.25	-3.51	-4.37
304	-1.71	-2.94	-5.61	-0.05	0.64	0.65	0.02	-0.94	-2.10	-3.69	-4.38
305	-1.20	-2.15	-4.07	0.03	0.73	0.89	0.27	-0.79	-1.75	-3.97	-5.10
306	-1.02	-1.79	-3.27	-1.04	-0.04	0.38	-0.06	-1.17	-1.79	-4.45	-6.26
307	-1.33	-2.04	-3.32	-2.74	-1.37	-0.77	-1.04	-2.12	-2.55	-5.21	-7.07
308	-2.23	-2.94	-4.25	-2.75	-1.61	-1.25	-1.78	-3.06	-3.66	-6.12	-7.28
309	-3.74	-4.50	-6.09	-0.61	-0.01	-0.07	-1.03	-2.84	-3.94	-6.81	-7.61
310	-5.59	-6.40	-8.48	1.16	1.55	1.32	0.37	-1.68	-3.18	-6.95	-8.53
311	-6.67	-7.44	-9.55	1.62	2.02	1.77	1.15	-0.81	-2.55	-6.75	-10.02
312	-5.84	-6.48	-7.88	0.58	1.15	1.04	0.86	-0.90	-2.77	-6.71	-11.83
313	-4.16	-4.71	-5.69	-2.34	-1.37	-1.15	-0.82	-2.38	-4.08	-7.28	-13.69
314	-2.81	-3.27	-4.15	-9.02	-7.12	-6.05	-4.81	-6.12	-6.84	-8.72	-14.41
315	-2.06	-2.41	-3.27	-15.61	-16.55	-15.42	-13.50	-14.18	-11.47	-10.93	-12.71
316	-1.89	-2.09	-2.89	-3.90	-3.64	-4.48	-6.89	-9.49	-12.17	-12.58	-10.66
317	-2.23	-2.24	-2.87	0.52	0.94	0.21	-1.75	-4.39	-8.06	-12.34	-9.66
318	-3.02	-2.81	-3.12	2.00	2.31	1.54	-0.22	-2.96	-6.38	-12.18	-9.80
319	-4.17	-3.75	-3.66	0.90	1.09	0.23	-1.28	-4.14	-7.41	-13.58	-10.96
320	-5.51	-5.03	-4.55	-3.49	-3.43	-4.38	-5.23	-8.29	-11.68	-16.14	-13.36
321	-6.71	-6.53	-5.84	-14.94	-16.33	-17.10	-13.74	-16.70	-18.13	-16.48	-16.95
322	-7.54	-7.92	-7.36	-14.32	-14.02	-13.58	-13.80	-14.35	-14.26	-14.86	-18.89
323	-8.09	-8.81	-8.57	-12.17	-10.77	-10.51	-10.71	-11.35	-12.60	-14.51	-19.52
324	-8.71	-9.22	-8.97	-15.27	-13.34	-12.84	-12.05	-12.06	-14.23	-16.22	-24.11
325	-9.53	-9.52	-8.93	-15.55	-15.32	-16.50	-16.13	-15.07	-17.90	-20.47	-26.14
326	-10.17	-9.73	-8.94	-13.99	-14.02	-15.96	-18.76	-18.92	-22.55	-25.52	-18.73
327	-9.94	-9.33	-8.73	-11.01	-11.32	-12.39	-14.90	-17.63	-24.55	-23.01	-15.83
328	-8.74	-8.18	-7.85	-7.82	-7.86	-8.42	-10.17	-12.46	-17.53	-21.51	-14.75
329	-7.21	-6.82	-6.55	-5.80	-5.39	-5.61	-6.89	-8.95	-13.29	-23.41	-14.44
330	-5.80	-5.63	-5.29	-4.68	-4.16	-4.19	-5.20	-7.35	-11.64	-31.73	-14.39
331	-4.65	-4.58	-4.13	-3.95	-3.77	-3.85	-4.83	-7.31	-11.88	-31.50	-13.60

332	-3.80	-3.60	-3.02	-3.39	-3.72	-4.04	-5.40	-8.47	-13.59	-22.92	-12.17
333	-3.30	-2.81	-2.12	-3.60	-4.08	-4.60	-6.56	-10.43	-16.04	-20.29	-11.39
334	-3.22	-2.45	-1.68	-5.22	-5.53	-6.13	-8.47	-13.02	-18.75	-19.53	-11.68
335	-3.65	-2.69	-1.86	-7.75	-8.24	-9.22	-11.81	-16.90	-22.73	-18.89	-12.32
336	-4.64	-3.64	-2.73	-9.69	-11.13	-13.60	-17.15	-24.05	-22.66	-17.42	-12.20
337	-6.19	-5.24	-4.22	-12.09	-13.70	-17.84	-23.72	-36.41	-18.33	-15.51	-11.26
338	-8.13	-7.30	-6.08	-13.05	-14.60	-17.52	-23.94	-30.97	-16.94	-14.08	-10.16
339	-10.07	-9.30	-7.81	-10.55	-11.98	-13.56	-18.55	-35.77	-18.17	-13.61	-9.53
340	-11.37	-10.53	-8.83	-9.78	-10.92	-12.32	-16.23	-39.78	-21.05	-14.16	-9.93
341	-11.82	-10.76	-9.07	-10.37	-11.95	-13.98	-17.18	-33.41	-23.29	-15.48	-11.52
342	-11.76	-10.53	-9.05	-11.36	-13.39	-16.75	-20.38	-34.15	-22.52	-17.05	-13.54
343	-11.65	-10.45	-9.26	-14.40	-15.28	-18.83	-22.10	-29.74	-20.90	-18.12	-14.95
344	-11.84	-10.80	-9.83	-22.34	-20.18	-24.32	-24.08	-27.27	-20.82	-18.82	-16.10
345	-12.55	-11.61	-10.64	-30.55	-28.03	-31.32	-32.97	-29.87	-22.47	-20.26	-17.84
346	-13.81	-12.72	-11.53	-26.00	-28.42	-24.87	-32.93	-42.34	-23.76	-22.94	-20.39
347	-15.33	-13.93	-12.47	-19.26	-25.09	-25.42	-31.05	-32.78	-24.32	-24.90	-20.51
348	-16.53	-15.16	-13.58	-17.44	-20.54	-22.87	-34.49	-30.99	-27.17	-24.41	-18.73
349	-17.12	-16.48	-14.86	-19.57	-20.79	-21.69	-28.16	-37.18	-31.51	-25.16	-20.03
350	-17.66	-17.88	-16.04	-18.65	-22.86	-24.52	-28.23	-36.58	-29.74	-28.10	-23.86
351	-18.78	-19.12	-16.83	-17.80	-20.50	-23.21	-34.48	-30.70	-30.16	-27.40	-21.25
352	-20.72	-19.98	-17.56	-21.31	-20.68	-21.34	-30.13	-30.94	-36.17	-25.82	-21.29
353	-22.85	-20.55	-18.82	-20.72	-23.84	-23.83	-29.04	-35.71	-36.51	-29.21	-27.78
354	-23.28	-20.99	-20.28	-19.35	-22.91	-25.89	-33.27	-36.04	-30.09	-39.34	-22.24
355	-22.22	-21.06	-19.92	-23.83	-23.70	-24.84	-31.82	-31.15	-28.30	-27.31	-19.97
356	-21.73	-20.70	-18.37	-24.32	-33.96	-29.01	-30.98	-30.02	-30.77	-25.37	-24.32
357	-22.74	-20.61	-18.07	-22.55	-31.56	-32.36	-32.10	-32.68	-44.82	-29.24	-25.38
358	-25.58	-21.39	-19.79	-29.64	-29.12	-28.26	-30.68	-42.89	-35.19	-33.22	-21.72
359	-28.80	-22.32	-21.26	-34.78	-40.31	-33.62	-34.68	-37.17	-32.38	-25.79	-23.70

Ventev  
11126 McCormick Road  
Hunt Valley, MD 21031-1494