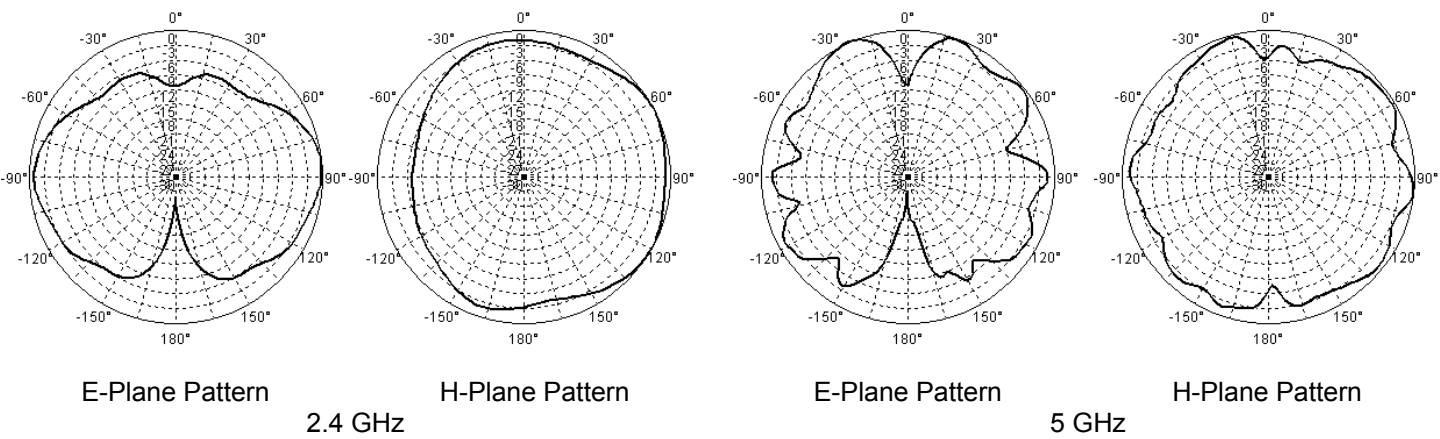




**TerraWave Solutions® 802.11n 2.4/5 GHz 6 dBi Outdoor  
MIMO Omnidirectional Antenna with RPSMA Plug Connectors**

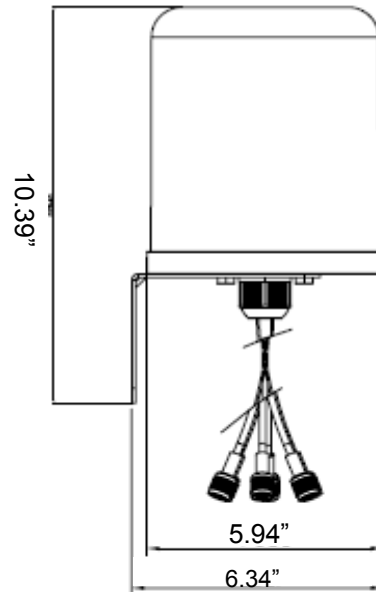
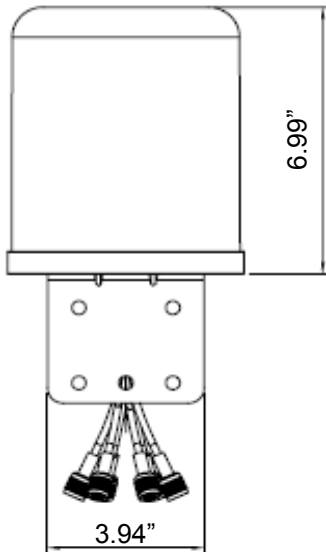
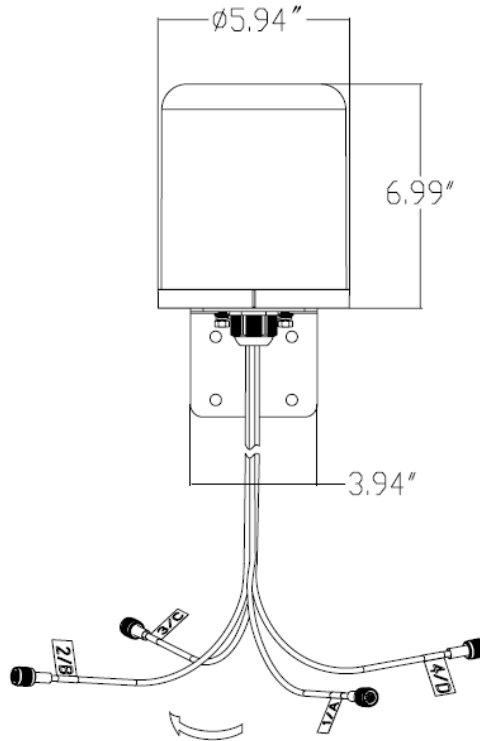
TerraWave’s 6 dBi outdoor multiple-input and multiple-output (MIMO) omnidirectional antenna is designed to operate enterprise class 802.11n MIMO access points. With dual-band leads, each of the four cables support both 2.4 and 5 GHz, making it an ideal and aesthetically pleasing antenna to support demanding outdoor applications in next generation IEEE 802.11n wireless communication systems. The rugged enclosure makes this antenna perfectly suited for use in a warehouse or manufacturing environment where it must withstand exposure to moisture and dust. Includes an L-Bracket for mast and or wall mounting. Industrial beam clamps are available as an additional option. Every TerraWave antenna is covered by the Company’s two-year TerraNet warranty program. For questions and to purchase product, contact a wireless networking solutions sales engineer at 210-375-8482, 800-851-4965 or sales@terrawave.com. Visit www.terrawave.com for additional information.

Specifications	
Model	FANT-04ABGN-0606-O-R(M060060MO1D43620)
Frequency Range	2400~2500 / 5150~5850 MHz
Bandwidth	100 / 700 MHz
Gain	6 dBi
Vertical Beamwidth	45°/20°
Horizontal Beamwidth	360°
VSWR	≤2.0 / ≤2.2
Nominal Impedance	50 Ohms
Polarization	Vertical
Isolation	≤ -15dB
Max Power	10W
Lightning Protection	Not DC Grounded
Connector	RPSMA Plug with 36” Cable
Dimensions	5.9” x 7”
Weight	2.64 lbs
Mast Mount Diameter	1.37”-1.97”
Operating Temperature Range	-40°F to +158°F
Wind Load	134 mph





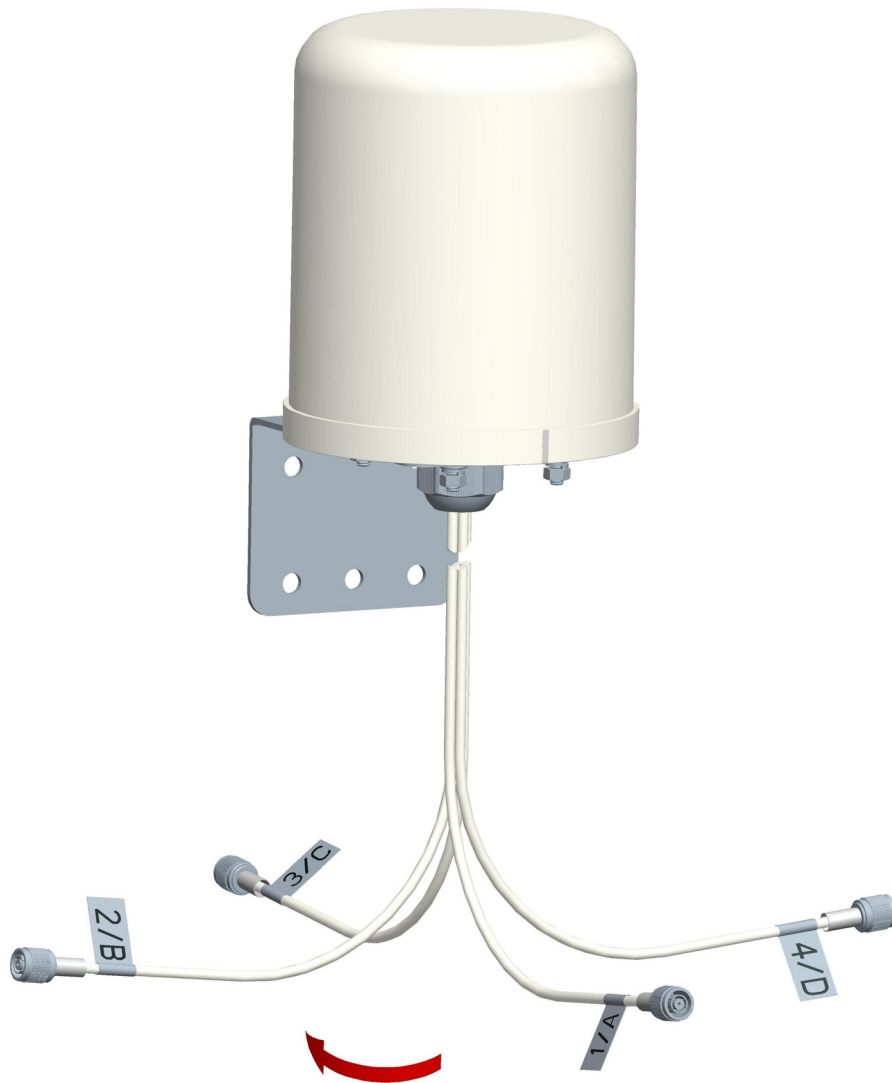
**TerraWave Solutions® 802.11n 2.4/5 GHz 6 dBi Outdoor  
MIMO Omnidirectional Antenna with RPSMA Plug Connectors  
Mounting Information for FANT-04ABGN-0606-O-R  
(M6060060MO1D43620)**





**TerraWave Solutions® 802.11n 2.4/5 GHz 6 dBi Outdoor  
MIMO Omnidirectional Antenna with RPSMA Plug Connectors**

**Mounting Information for FANT-04ABGN-0606-O-R  
(M6060060MO1D43620)**



### FANT-04ABGN-0606-O-R Test Report

The FANT-04ABGN-0606-O-R(M6060060MO1D43620) is a four-lead dual-band omni-directional antenna with RPMA male connectors. Each port of the antenna operates in the 2.4/5 GHz band. The peak gain of the antenna for each port (Include Cable loss). is listed in the chart below.

Freq	Peak Gain			
	P1	P2	P3	P4
2400	5.68	6.30	6.34	5.36
2450	6.11	6.23	6.32	5.77
2500	5.90	5.83	5.92	5.94
5150	5.24	6.42	6.34	6.64
5250	5.49	6.51	6.31	7.61
5350	5.32	6.58	6.24	7.76
5450	5.48	6.54	6.02	6.93
5550	5.80	6.26	5.65	6.14
5650	5.33	6.27	5.48	6.12
5750	5.40	5.60	5.01	6.14
5850	5.20	4.86	4.80	6.45

The gain of FANT-04ABGN-0606-O-R(M6060060MO1D43620) was also taken in one-degree increments across the frequency band of operation for the antenna at each port. This gain data is listed in the charts below.

Port 1:

Angle	FREQUENCY										
	2400	2450	2500	5150	5250	5350	5450	5550	5560	5750	5850
	Horizontal										
0	-17.66	-17.88	-19.80	-26.96	-30.32	-28.55	-32.39	-26.61	-22.12	-23.72	-26.50
1	-17.94	-18.20	-20.10	-28.38	-32.96	-29.82	-33.21	-28.12	-22.77	-24.32	-26.77
2	-18.29	-18.61	-20.50	-30.11	-36.76	-30.91	-32.59	-29.80	-23.53	-25.05	-27.34
3	-18.74	-19.12	-21.01	-32.42	-39.64	-31.30	-31.35	-30.68	-24.20	-25.68	-28.22
4	-19.28	-19.75	-21.65	-36.00	-36.13	-30.92	-30.31	-30.14	-24.63	-26.07	-29.46
5	-19.95	-20.52	-22.44	-41.32	-32.04	-30.30	-29.74	-28.99	-24.80	-26.27	-31.03
6	-20.76	-21.47	-23.41	-38.03	-29.18	-29.97	-29.68	-28.09	-24.85	-26.41	-32.54
7	-21.74	-22.64	-24.56	-32.03	-27.26	-30.23	-30.13	-27.74	-24.88	-26.58	-33.07
8	-22.94	-24.08	-25.85	-28.15	-26.09	-31.33	-31.15	-28.05	-24.88	-26.67	-32.09
9	-24.41	-25.88	-27.11	-25.56	-25.59	-33.71	-33.02	-29.08	-24.70	-26.42	-30.23
10	-26.27	-28.08	-27.90	-23.85	-25.79	-38.25	-36.50	-30.90	-24.12	-25.57	-28.02
11	-28.65	-30.49	-27.67	-22.82	-26.84	-41.03	-44.72	-32.88	-23.05	-24.13	-25.62

12	-31.65	-31.86	-26.45	-22.39	-29.16	-34.19	-40.97	-32.08	-21.58	-22.35	-23.16
13	-34.60	-30.60	-24.78	-22.49	-34.10	-29.29	-32.40	-28.42	-19.91	-20.49	-20.82
14	-34.26	-28.04	-23.08	-23.05	-48.31	-25.99	-27.55	-24.85	-18.22	-18.69	-18.76
15	-31.12	-25.62	-21.54	-23.81	-33.14	-23.60	-24.18	-21.98	-16.59	-17.03	-17.04
16	-28.17	-23.60	-20.19	-24.21	-26.92	-21.77	-21.66	-19.71	-15.08	-15.54	-15.70
17	-25.85	-21.95	-19.03	-23.61	-23.33	-20.35	-19.73	-17.90	-13.72	-14.27	-14.71
18	-24.03	-20.60	-18.04	-22.15	-20.96	-19.20	-18.25	-16.45	-12.54	-13.22	-14.07
19	-22.57	-19.48	-17.20	-20.52	-19.32	-18.27	-17.13	-15.30	-11.54	-12.40	-13.75
20	-21.39	-18.55	-16.49	-19.14	-18.19	-17.49	-16.31	-14.39	-10.75	-11.81	-13.72
21	-20.42	-17.78	-15.91	-18.16	-17.43	-16.84	-15.74	-13.67	-10.15	-11.45	-13.94
22	-19.63	-17.15	-15.44	-17.57	-16.93	-16.29	-15.37	-13.10	-9.76	-11.33	-14.36
23	-18.98	-16.64	-15.07	-17.35	-16.59	-15.85	-15.15	-12.67	-9.58	-11.43	-14.92
24	-18.46	-16.23	-14.79	-17.43	-16.30	-15.52	-15.05	-12.37	-9.62	-11.75	-15.57
25	-18.04	-15.91	-14.61	-17.70	-16.01	-15.31	-15.05	-12.19	-9.87	-12.29	-16.28
26	-17.72	-15.68	-14.50	-18.00	-15.69	-15.25	-15.14	-12.18	-10.36	-13.04	-17.08
27	-17.47	-15.52	-14.46	-18.09	-15.37	-15.35	-15.33	-12.36	-11.09	-14.00	-18.04
28	-17.29	-15.42	-14.48	-17.85	-15.11	-15.63	-15.67	-12.79	-12.10	-15.20	-19.31
29	-17.17	-15.37	-14.56	-17.31	-14.98	-16.12	-16.21	-13.52	-13.44	-16.65	-21.06
30	-17.10	-15.36	-14.67	-16.67	-15.04	-16.83	-17.02	-14.64	-15.18	-18.43	-23.49
31	-17.05	-15.38	-14.82	-16.10	-15.32	-17.77	-18.17	-16.28	-17.47	-20.67	-26.64
32	-17.03	-15.41	-14.98	-15.73	-15.86	-18.97	-19.76	-18.66	-20.62	-23.60	-28.82
33	-17.00	-15.45	-15.13	-15.60	-16.64	-20.38	-21.87	-22.18	-25.41	-27.34	-26.89
34	-16.97	-15.47	-15.26	-15.72	-17.59	-21.89	-24.38	-27.37	-34.22	-29.65	-23.78
35	-16.92	-15.47	-15.35	-16.06	-18.53	-23.19	-26.15	-28.93	-31.31	-26.76	-21.35
36	-16.84	-15.45	-15.40	-16.55	-19.19	-23.74	-25.27	-24.02	-24.70	-23.19	-19.61
37	-16.72	-15.39	-15.40	-17.08	-19.32	-23.29	-22.90	-20.51	-21.14	-20.55	-18.38
38	-16.56	-15.30	-15.36	-17.49	-18.94	-22.18	-20.68	-18.29	-18.86	-18.69	-17.54
39	-16.37	-15.18	-15.29	-17.67	-18.34	-20.89	-18.95	-16.86	-17.28	-17.40	-17.02
40	-16.16	-15.05	-15.20	-17.60	-17.78	-19.68	-17.65	-15.95	-16.17	-16.59	-16.80
41	-15.94	-14.92	-15.12	-17.38	-17.41	-18.63	-16.67	-15.42	-15.43	-16.19	-16.88
42	-15.71	-14.80	-15.05	-17.16	-17.25	-17.76	-15.97	-15.15	-15.00	-16.17	-17.29
43	-15.50	-14.70	-15.02	-17.05	-17.29	-17.05	-15.48	-15.09	-14.86	-16.53	-18.07
44	-15.30	-14.64	-15.03	-17.12	-17.45	-16.50	-15.19	-15.21	-15.03	-17.28	-19.31
45	-15.14	-14.62	-15.11	-17.38	-17.66	-16.12	-15.10	-15.49	-15.53	-18.49	-21.14
46	-15.02	-14.66	-15.25	-17.81	-17.80	-15.91	-15.21	-15.94	-16.40	-20.22	-23.80
47	-14.95	-14.75	-15.48	-18.34	-17.81	-15.88	-15.55	-16.63	-17.73	-22.65	-27.90
48	-14.93	-14.92	-15.80	-18.85	-17.70	-16.04	-16.14	-17.60	-19.63	-26.14	-35.61
49	-14.97	-15.16	-16.23	-19.16	-17.55	-16.41	-17.03	-18.96	-22.40	-31.64	-45.72
50	-15.08	-15.49	-16.76	-19.18	-17.45	-17.00	-18.28	-20.88	-26.63	-40.83	-32.43
51	-15.26	-15.92	-17.43	-18.89	-17.49	-17.85	-20.00	-23.61	-33.57	-34.83	-28.11
52	-15.52	-16.45	-18.23	-18.45	-17.75	-19.01	-22.34	-27.57	-33.22	-29.72	-25.75
53	-15.86	-17.10	-19.19	-18.01	-18.29	-20.56	-25.56	-31.62	-27.22	-27.02	-24.22
54	-16.29	-17.90	-20.33	-17.69	-19.15	-22.63	-29.76	-29.02	-23.84	-25.40	-23.09
55	-16.83	-18.87	-21.66	-17.58	-20.44	-25.51	-31.85	-24.89	-21.81	-24.35	-22.17

56	-17.48	-20.03	-23.14	-17.72	-22.27	-29.96	-28.65	-22.07	-20.56	-23.60	-21.42
57	-18.27	-21.44	-24.64	-18.16	-24.88	-39.38	-25.44	-20.19	-19.83	-23.04	-20.84
58	-19.22	-23.16	-25.80	-18.93	-28.71	-40.40	-23.24	-18.96	-19.46	-22.61	-20.51
59	-20.36	-25.24	-26.06	-20.06	-33.68	-30.86	-21.77	-18.22	-19.36	-22.31	-20.49
60	-21.75	-27.59	-25.26	-21.56	-32.70	-26.72	-20.79	-17.88	-19.47	-22.17	-20.87
61	-23.46	-29.49	-23.86	-23.36	-28.07	-24.19	-20.18	-17.87	-19.75	-22.28	-21.77
62	-25.59	-29.33	-22.34	-25.06	-24.89	-22.48	-19.85	-18.18	-20.14	-22.71	-23.38
63	-28.26	-27.28	-20.94	-25.77	-22.77	-21.30	-19.73	-18.78	-20.64	-23.59	-26.11
64	-31.23	-24.94	-19.70	-25.07	-21.35	-20.49	-19.79	-19.64	-21.21	-25.16	-30.78
65	-32.48	-22.90	-18.63	-23.71	-20.40	-19.98	-20.00	-20.71	-21.83	-27.85	-33.87
66	-30.31	-21.21	-17.72	-22.43	-19.79	-19.71	-20.31	-21.84	-22.44	-32.77	-27.62
67	-27.37	-19.81	-16.94	-21.42	-19.42	-19.65	-20.70	-22.66	-22.85	-36.73	-22.92
68	-24.89	-18.64	-16.28	-20.67	-19.18	-19.74	-21.08	-22.67	-22.76	-29.20	-19.79
69	-22.91	-17.65	-15.72	-20.05	-18.98	-19.89	-21.30	-21.66	-21.93	-24.08	-17.59
70	-21.31	-16.82	-15.25	-19.41	-18.68	-19.98	-21.15	-20.05	-20.46	-20.69	-16.01
71	-20.00	-16.11	-14.85	-18.63	-18.23	-19.85	-20.46	-18.30	-18.73	-18.26	-14.90
72	-18.90	-15.51	-14.52	-17.68	-17.59	-19.35	-19.29	-16.64	-17.03	-16.46	-14.18
73	-17.96	-14.99	-14.25	-16.60	-16.83	-18.48	-17.85	-15.16	-15.51	-15.13	-13.80
74	-17.17	-14.56	-14.04	-15.49	-16.00	-17.37	-16.35	-13.88	-14.24	-14.18	-13.72
75	-16.48	-14.19	-13.86	-14.46	-15.20	-16.16	-14.95	-12.81	-13.23	-13.55	-13.93
76	-15.89	-13.88	-13.73	-13.55	-14.45	-14.99	-13.70	-11.92	-12.48	-13.22	-14.40
77	-15.38	-13.62	-13.62	-12.80	-13.79	-13.93	-12.65	-11.23	-11.99	-13.16	-15.06
78	-14.93	-13.40	-13.53	-12.22	-13.21	-12.99	-11.79	-10.73	-11.74	-13.37	-15.80
79	-14.54	-13.21	-13.45	-11.82	-12.71	-12.19	-11.14	-10.41	-11.74	-13.82	-16.42
80	-14.20	-13.05	-13.37	-11.57	-12.27	-11.53	-10.67	-10.28	-11.97	-14.45	-16.68
81	-13.89	-12.91	-13.29	-11.46	-11.88	-11.00	-10.39	-10.33	-12.40	-15.17	-16.40
82	-13.62	-12.78	-13.18	-11.46	-11.50	-10.58	-10.27	-10.56	-12.99	-15.76	-15.70
83	-13.37	-12.65	-13.05	-11.53	-11.12	-10.27	-10.31	-10.94	-13.59	-15.90	-14.79
84	-13.14	-12.52	-12.89	-11.59	-10.73	-10.03	-10.46	-11.43	-14.01	-15.42	-13.86
85	-12.93	-12.37	-12.69	-11.59	-10.33	-9.85	-10.67	-11.92	-14.00	-14.43	-12.99
86	-12.71	-12.21	-12.45	-11.44	-9.91	-9.71	-10.88	-12.26	-13.44	-13.22	-12.19
87	-12.50	-12.02	-12.18	-11.12	-9.49	-9.58	-10.98	-12.28	-12.48	-12.01	-11.47
88	-12.27	-11.81	-11.88	-10.64	-9.08	-9.45	-10.91	-11.91	-11.34	-10.93	-10.79
89	-12.04	-11.56	-11.56	-10.05	-8.68	-9.28	-10.60	-11.22	-10.22	-9.99	-10.14
90	-11.79	-11.30	-11.21	-9.41	-8.29	-9.05	-10.10	-10.36	-9.20	-9.20	-9.53
91	-11.53	-11.00	-10.86	-8.77	-7.93	-8.77	-9.47	-9.49	-8.34	-8.55	-8.95
92	-11.24	-10.68	-10.51	-8.18	-7.59	-8.44	-8.78	-8.69	-7.63	-8.00	-8.41
93	-10.93	-10.35	-10.15	-7.66	-7.27	-8.05	-8.10	-8.00	-7.05	-7.54	-7.94
94	-10.61	-10.00	-9.80	-7.21	-6.96	-7.62	-7.47	-7.43	-6.61	-7.15	-7.54
95	-10.27	-9.64	-9.46	-6.84	-6.66	-7.16	-6.90	-6.97	-6.26	-6.81	-7.22
96	-9.91	-9.28	-9.13	-6.54	-6.37	-6.70	-6.42	-6.61	-5.99	-6.50	-6.96
97	-9.55	-8.91	-8.82	-6.29	-6.08	-6.25	-6.01	-6.34	-5.78	-6.20	-6.77
98	-9.18	-8.55	-8.51	-6.09	-5.78	-5.81	-5.68	-6.12	-5.60	-5.92	-6.63
99	-8.80	-8.20	-8.22	-5.91	-5.49	-5.39	-5.41	-5.96	-5.43	-5.65	-6.54

100	-8.43	-7.85	-7.95	-5.74	-5.19	-5.01	-5.20	-5.82	-5.24	-5.38	-6.47
101	-8.06	-7.51	-7.68	-5.58	-4.89	-4.67	-5.03	-5.69	-5.03	-5.12	-6.41
102	-7.69	-7.18	-7.43	-5.41	-4.60	-4.37	-4.90	-5.56	-4.79	-4.87	-6.34
103	-7.34	-6.87	-7.18	-5.23	-4.32	-4.11	-4.80	-5.42	-4.52	-4.64	-6.26
104	-6.99	-6.56	-6.94	-5.03	-4.05	-3.89	-4.71	-5.27	-4.22	-4.42	-6.16
105	-6.65	-6.27	-6.71	-4.83	-3.80	-3.72	-4.64	-5.09	-3.91	-4.22	-6.03
106	-6.33	-5.98	-6.48	-4.62	-3.57	-3.58	-4.56	-4.90	-3.61	-4.06	-5.89
107	-6.01	-5.71	-6.26	-4.42	-3.37	-3.47	-4.47	-4.69	-3.32	-3.92	-5.75
108	-5.71	-5.45	-6.04	-4.24	-3.21	-3.40	-4.38	-4.47	-3.06	-3.81	-5.62
109	-5.42	-5.19	-5.81	-4.08	-3.07	-3.35	-4.26	-4.25	-2.84	-3.73	-5.51
110	-5.15	-4.95	-5.59	-3.96	-2.97	-3.33	-4.13	-4.03	-2.67	-3.68	-5.44
111	-4.88	-4.72	-5.38	-3.88	-2.91	-3.31	-3.98	-3.83	-2.56	-3.66	-5.42
112	-4.62	-4.49	-5.16	-3.84	-2.87	-3.31	-3.83	-3.64	-2.51	-3.66	-5.45
113	-4.38	-4.27	-4.94	-3.84	-2.87	-3.31	-3.67	-3.47	-2.53	-3.70	-5.54
114	-4.14	-4.06	-4.72	-3.89	-2.89	-3.31	-3.51	-3.34	-2.60	-3.75	-5.67
115	-3.91	-3.85	-4.50	-3.98	-2.95	-3.32	-3.37	-3.23	-2.72	-3.84	-5.86
116	-3.69	-3.65	-4.28	-4.11	-3.02	-3.32	-3.25	-3.17	-2.90	-3.95	-6.09
117	-3.47	-3.45	-4.06	-4.28	-3.12	-3.34	-3.16	-3.14	-3.12	-4.08	-6.36
118	-3.26	-3.26	-3.84	-4.47	-3.24	-3.36	-3.10	-3.17	-3.39	-4.24	-6.64
119	-3.05	-3.07	-3.63	-4.70	-3.38	-3.40	-3.10	-3.26	-3.69	-4.43	-6.92
120	-2.84	-2.88	-3.41	-4.94	-3.55	-3.47	-3.14	-3.42	-4.02	-4.64	-7.18
121	-2.64	-2.70	-3.20	-5.21	-3.73	-3.56	-3.23	-3.64	-4.39	-4.86	-7.39
122	-2.44	-2.52	-3.00	-5.50	-3.94	-3.68	-3.37	-3.93	-4.77	-5.08	-7.52
123	-2.25	-2.33	-2.79	-5.80	-4.18	-3.84	-3.57	-4.29	-5.15	-5.29	-7.56
124	-2.05	-2.15	-2.59	-6.12	-4.44	-4.04	-3.82	-4.70	-5.52	-5.47	-7.50
125	-1.86	-1.97	-2.39	-6.44	-4.73	-4.27	-4.12	-5.14	-5.86	-5.60	-7.34
126	-1.67	-1.78	-2.20	-6.77	-5.05	-4.55	-4.45	-5.59	-6.14	-5.67	-7.10
127	-1.48	-1.60	-2.01	-7.08	-5.39	-4.85	-4.81	-6.01	-6.36	-5.68	-6.80
128	-1.29	-1.41	-1.82	-7.36	-5.74	-5.18	-5.18	-6.35	-6.50	-5.62	-6.47
129	-1.10	-1.23	-1.63	-7.59	-6.10	-5.54	-5.53	-6.60	-6.57	-5.52	-6.13
130	-0.91	-1.04	-1.44	-7.75	-6.46	-5.89	-5.86	-6.71	-6.58	-5.38	-5.80
131	-0.73	-0.85	-1.25	-7.83	-6.79	-6.25	-6.12	-6.69	-6.55	-5.24	-5.50
132	-0.55	-0.65	-1.07	-7.82	-7.07	-6.57	-6.32	-6.55	-6.48	-5.11	-5.26
133	-0.36	-0.46	-0.88	-7.72	-7.28	-6.86	-6.44	-6.32	-6.39	-5.01	-5.08
134	-0.18	-0.26	-0.69	-7.54	-7.40	-7.09	-6.48	-6.04	-6.30	-4.96	-4.96
135	-0.01	-0.06	-0.50	-7.29	-7.43	-7.25	-6.44	-5.74	-6.21	-4.95	-4.92
136	0.17	0.14	-0.30	-6.99	-7.35	-7.33	-6.34	-5.45	-6.14	-5.01	-4.95
137	0.35	0.34	-0.11	-6.66	-7.17	-7.32	-6.21	-5.19	-6.09	-5.11	-5.03
138	0.52	0.54	0.09	-6.32	-6.89	-7.22	-6.04	-4.97	-6.06	-5.26	-5.16
139	0.69	0.74	0.29	-5.95	-6.55	-7.04	-5.86	-4.78	-6.05	-5.44	-5.32
140	0.86	0.94	0.49	-5.59	-6.16	-6.78	-5.67	-4.63	-6.07	-5.62	-5.48
141	1.03	1.14	0.69	-5.21	-5.74	-6.46	-5.48	-4.50	-6.10	-5.79	-5.60
142	1.20	1.34	0.89	-4.84	-5.30	-6.09	-5.28	-4.39	-6.12	-5.91	-5.68
143	1.37	1.53	1.09	-4.46	-4.86	-5.70	-5.08	-4.29	-6.12	-5.97	-5.70

144	1.54	1.72	1.29	-4.08	-4.44	-5.29	-4.87	-4.21	-6.08	-5.95	-5.65
145	1.70	1.91	1.48	-3.70	-4.03	-4.88	-4.66	-4.15	-6.00	-5.85	-5.52
146	1.87	2.10	1.68	-3.32	-3.64	-4.50	-4.46	-4.12	-5.88	-5.68	-5.35
147	2.03	2.28	1.87	-2.95	-3.28	-4.16	-4.26	-4.12	-5.73	-5.44	-5.13
148	2.19	2.46	2.05	-2.59	-2.94	-3.85	-4.09	-4.16	-5.56	-5.15	-4.88
149	2.35	2.64	2.24	-2.26	-2.62	-3.59	-3.95	-4.23	-5.37	-4.82	-4.60
150	2.51	2.81	2.41	-1.95	-2.33	-3.38	-3.84	-4.32	-5.17	-4.46	-4.29
151	2.67	2.98	2.58	-1.69	-2.06	-3.20	-3.76	-4.42	-4.96	-4.07	-3.95
152	2.82	3.14	2.75	-1.46	-1.81	-3.06	-3.71	-4.49	-4.73	-3.66	-3.58
153	2.98	3.30	2.91	-1.28	-1.57	-2.94	-3.68	-4.53	-4.48	-3.23	-3.17
154	3.13	3.45	3.06	-1.13	-1.35	-2.81	-3.67	-4.51	-4.21	-2.78	-2.72
155	3.28	3.60	3.21	-1.01	-1.14	-2.68	-3.65	-4.41	-3.90	-2.32	-2.25
156	3.43	3.75	3.35	-0.89	-0.93	-2.51	-3.60	-4.24	-3.56	-1.86	-1.75
157	3.57	3.89	3.49	-0.76	-0.71	-2.31	-3.51	-3.99	-3.19	-1.39	-1.25
158	3.71	4.03	3.62	-0.59	-0.49	-2.05	-3.36	-3.67	-2.78	-0.92	-0.75
159	3.85	4.16	3.75	-0.38	-0.25	-1.73	-3.12	-3.30	-2.35	-0.47	-0.27
160	3.98	4.28	3.87	-0.11	0.02	-1.37	-2.79	-2.89	-1.91	-0.04	0.19
161	4.11	4.41	3.99	0.21	0.30	-0.97	-2.38	-2.45	-1.48	0.37	0.63
162	4.23	4.52	4.10	0.58	0.60	-0.54	-1.88	-1.98	-1.06	0.74	1.05
163	4.34	4.64	4.21	0.98	0.92	-0.09	-1.31	-1.48	-0.66	1.07	1.44
164	4.45	4.74	4.32	1.40	1.26	0.36	-0.71	-0.96	-0.28	1.37	1.81
165	4.56	4.84	4.41	1.81	1.60	0.81	-0.08	-0.42	0.10	1.64	2.14
166	4.65	4.94	4.51	2.21	1.95	1.24	0.54	0.14	0.49	1.88	2.45
167	4.74	5.03	4.60	2.59	2.29	1.65	1.14	0.71	0.89	2.11	2.72
168	4.83	5.11	4.68	2.94	2.62	2.02	1.70	1.27	1.33	2.34	2.96
169	4.90	5.18	4.76	3.27	2.94	2.37	2.21	1.80	1.78	2.58	3.17
170	4.96	5.25	4.84	3.56	3.24	2.68	2.66	2.30	2.25	2.83	3.35
171	5.02	5.31	4.90	3.82	3.53	2.97	3.04	2.74	2.72	3.11	3.50
172	5.07	5.36	4.96	4.05	3.79	3.22	3.36	3.12	3.17	3.40	3.65
173	5.11	5.40	5.01	4.26	4.03	3.44	3.61	3.44	3.58	3.70	3.79
174	5.14	5.43	5.06	4.45	4.25	3.63	3.80	3.70	3.94	4.00	3.92
175	5.17	5.46	5.09	4.62	4.45	3.81	3.94	3.89	4.24	4.28	4.06
176	5.18	5.47	5.11	4.78	4.63	3.96	4.03	4.03	4.47	4.54	4.20
177	5.18	5.48	5.13	4.91	4.79	4.09	4.08	4.12	4.64	4.75	4.33
178	5.18	5.48	5.13	5.02	4.92	4.21	4.11	4.18	4.75	4.92	4.44
179	5.17	5.47	5.13	5.11	5.04	4.31	4.12	4.22	4.81	5.03	4.53
180	5.15	5.45	5.11	5.16	5.12	4.38	4.12	4.24	4.82	5.09	4.59
181	5.12	5.42	5.08	5.18	5.19	4.43	4.11	4.24	4.81	5.10	4.60
182	5.09	5.38	5.04	5.16	5.22	4.46	4.09	4.24	4.77	5.05	4.56
183	5.04	5.34	5.00	5.10	5.22	4.46	4.07	4.24	4.73	4.97	4.47
184	4.99	5.28	4.94	4.99	5.19	4.44	4.03	4.22	4.67	4.85	4.34
185	4.94	5.22	4.87	4.83	5.13	4.38	3.98	4.19	4.61	4.70	4.16
186	4.88	5.16	4.80	4.64	5.04	4.30	3.90	4.13	4.54	4.54	3.94
187	4.81	5.09	4.72	4.40	4.92	4.20	3.79	4.05	4.44	4.37	3.70



188	4.73	5.01	4.63	4.14	4.77	4.07	3.66	3.93	4.32	4.18	3.45
189	4.65	4.93	4.53	3.85	4.59	3.93	3.49	3.77	4.17	3.98	3.18
190	4.57	4.85	4.43	3.56	4.39	3.77	3.29	3.58	3.97	3.76	2.90
191	4.48	4.76	4.33	3.27	4.18	3.60	3.06	3.34	3.73	3.51	2.60
192	4.39	4.67	4.23	2.99	3.95	3.42	2.80	3.08	3.45	3.24	2.29
193	4.30	4.57	4.12	2.73	3.71	3.24	2.53	2.78	3.14	2.94	1.95
194	4.20	4.47	4.01	2.49	3.47	3.05	2.25	2.45	2.81	2.62	1.59
195	4.10	4.38	3.90	2.27	3.22	2.85	1.97	2.10	2.47	2.29	1.21
196	4.00	4.27	3.79	2.07	2.96	2.63	1.69	1.74	2.14	1.97	0.81
197	3.89	4.17	3.68	1.88	2.70	2.40	1.41	1.35	1.83	1.66	0.42
198	3.79	4.07	3.57	1.69	2.43	2.15	1.12	0.95	1.52	1.39	0.05
199	3.68	3.96	3.46	1.49	2.15	1.87	0.82	0.53	1.23	1.16	-0.26
200	3.57	3.85	3.35	1.28	1.85	1.56	0.49	0.09	0.94	0.97	-0.51
201	3.46	3.74	3.24	1.04	1.54	1.21	0.12	-0.38	0.63	0.81	-0.68
202	3.34	3.62	3.13	0.78	1.20	0.83	-0.30	-0.88	0.30	0.66	-0.80
203	3.23	3.50	3.01	0.50	0.83	0.40	-0.77	-1.41	-0.06	0.49	-0.90
204	3.11	3.38	2.90	0.18	0.43	-0.07	-1.29	-1.98	-0.48	0.28	-1.01
205	2.99	3.26	2.78	-0.17	-0.01	-0.58	-1.88	-2.59	-0.95	0.00	-1.17
206	2.86	3.13	2.66	-0.55	-0.49	-1.13	-2.51	-3.26	-1.49	-0.36	-1.43
207	2.74	2.99	2.53	-0.96	-1.00	-1.71	-3.18	-3.99	-2.09	-0.81	-1.81
208	2.61	2.85	2.40	-1.40	-1.56	-2.32	-3.87	-4.79	-2.76	-1.38	-2.32
209	2.47	2.71	2.26	-1.88	-2.17	-2.97	-4.58	-5.67	-3.50	-2.06	-2.99
210	2.33	2.56	2.11	-2.40	-2.82	-3.64	-5.28	-6.66	-4.31	-2.86	-3.81
211	2.19	2.41	1.96	-2.95	-3.52	-4.34	-5.96	-7.74	-5.19	-3.76	-4.79
212	2.04	2.25	1.81	-3.56	-4.27	-5.06	-6.61	-8.95	-6.14	-4.76	-5.91
213	1.89	2.09	1.65	-4.20	-5.07	-5.81	-7.25	-10.30	-7.16	-5.84	-7.14
214	1.73	1.93	1.48	-4.89	-5.91	-6.58	-7.87	-11.77	-8.23	-6.96	-8.46
215	1.57	1.76	1.31	-5.62	-6.79	-7.38	-8.49	-13.37	-9.36	-8.10	-9.81
216	1.40	1.58	1.13	-6.37	-7.70	-8.20	-9.15	-15.09	-10.49	-9.21	-11.11
217	1.22	1.40	0.95	-7.14	-8.64	-9.03	-9.88	-16.91	-11.57	-10.26	-12.29
218	1.04	1.22	0.76	-7.91	-9.57	-9.89	-10.70	-18.84	-12.50	-11.19	-13.24
219	0.85	1.03	0.57	-8.66	-10.50	-10.76	-11.64	-20.94	-13.19	-11.95	-13.90
220	0.66	0.84	0.38	-9.37	-11.38	-11.63	-12.72	-23.33	-13.59	-12.50	-14.24
221	0.47	0.65	0.18	-10.02	-12.19	-12.50	-13.95	-26.12	-13.69	-12.82	-14.29
222	0.26	0.45	-0.01	-10.60	-12.91	-13.34	-15.33	-28.41	-13.58	-12.92	-14.10
223	0.06	0.25	-0.21	-11.09	-13.50	-14.12	-16.81	-27.38	-13.34	-12.86	-13.77
224	-0.15	0.05	-0.42	-11.49	-13.94	-14.82	-18.29	-24.17	-13.03	-12.71	-13.36
225	-0.36	-0.16	-0.62	-11.80	-14.22	-15.40	-19.59	-21.23	-12.67	-12.50	-12.94
226	-0.57	-0.37	-0.83	-12.02	-14.34	-15.82	-20.52	-18.94	-12.29	-12.28	-12.55
227	-0.79	-0.59	-1.04	-12.15	-14.32	-16.05	-21.01	-17.21	-11.87	-12.05	-12.22
228	-1.00	-0.81	-1.25	-12.20	-14.16	-16.08	-21.13	-15.92	-11.45	-11.80	-11.96
229	-1.22	-1.03	-1.46	-12.18	-13.91	-15.92	-21.02	-15.00	-11.04	-11.52	-11.77
230	-1.43	-1.25	-1.68	-12.08	-13.59	-15.60	-20.75	-14.38	-10.66	-11.19	-11.60
231	-1.65	-1.48	-1.91	-11.93	-13.23	-15.16	-20.29	-14.02	-10.34	-10.80	-11.41

232	-1.86	-1.72	-2.13	-11.72	-12.85	-14.65	-19.60	-13.87	-10.10	-10.36	-11.14
233	-2.07	-1.95	-2.37	-11.44	-12.45	-14.11	-18.68	-13.89	-9.95	-9.89	-10.76
234	-2.29	-2.19	-2.61	-11.11	-12.06	-13.57	-17.61	-13.98	-9.90	-9.42	-10.24
235	-2.50	-2.43	-2.85	-10.73	-11.66	-13.08	-16.48	-14.04	-9.93	-9.00	-9.64
236	-2.71	-2.68	-3.10	-10.29	-11.26	-12.64	-15.39	-13.93	-10.04	-8.64	-9.00
237	-2.92	-2.92	-3.36	-9.80	-10.85	-12.27	-14.39	-13.57	-10.18	-8.36	-8.38
238	-3.13	-3.17	-3.62	-9.28	-10.43	-11.95	-13.51	-12.93	-10.30	-8.17	-7.83
239	-3.35	-3.42	-3.89	-8.74	-9.99	-11.69	-12.78	-12.11	-10.33	-8.07	-7.38
240	-3.57	-3.67	-4.17	-8.20	-9.54	-11.47	-12.19	-11.22	-10.21	-8.05	-7.04
241	-3.79	-3.92	-4.45	-7.68	-9.07	-11.25	-11.73	-10.36	-9.91	-8.07	-6.81
242	-4.02	-4.18	-4.74	-7.20	-8.60	-11.01	-11.41	-9.61	-9.46	-8.11	-6.68
243	-4.26	-4.43	-5.03	-6.77	-8.14	-10.72	-11.20	-8.99	-8.93	-8.11	-6.63
244	-4.51	-4.69	-5.33	-6.40	-7.69	-10.37	-11.08	-8.52	-8.37	-8.06	-6.64
245	-4.77	-4.94	-5.64	-6.10	-7.27	-9.94	-11.00	-8.20	-7.87	-7.93	-6.67
246	-5.05	-5.21	-5.94	-5.86	-6.89	-9.45	-10.91	-8.02	-7.45	-7.73	-6.70
247	-5.34	-5.47	-6.25	-5.69	-6.56	-8.93	-10.76	-7.95	-7.14	-7.47	-6.70
248	-5.65	-5.74	-6.56	-5.59	-6.27	-8.39	-10.50	-7.96	-6.94	-7.19	-6.64
249	-5.98	-6.02	-6.88	-5.55	-6.04	-7.88	-10.12	-8.02	-6.84	-6.93	-6.53
250	-6.33	-6.31	-7.20	-5.57	-5.87	-7.40	-9.63	-8.09	-6.84	-6.71	-6.37
251	-6.70	-6.61	-7.53	-5.63	-5.76	-6.99	-9.07	-8.11	-6.90	-6.53	-6.18
252	-7.10	-6.93	-7.87	-5.74	-5.70	-6.65	-8.51	-8.06	-6.99	-6.42	-5.99
253	-7.53	-7.26	-8.21	-5.89	-5.71	-6.40	-7.99	-7.93	-7.07	-6.37	-5.83
254	-7.99	-7.61	-8.56	-6.07	-5.78	-6.25	-7.54	-7.73	-7.12	-6.36	-5.71
255	-8.48	-7.98	-8.93	-6.27	-5.91	-6.19	-7.19	-7.47	-7.11	-6.39	-5.64
256	-9.01	-8.38	-9.31	-6.50	-6.10	-6.25	-6.95	-7.21	-7.05	-6.45	-5.64
257	-9.58	-8.80	-9.71	-6.74	-6.36	-6.41	-6.82	-6.98	-6.94	-6.52	-5.71
258	-10.20	-9.26	-10.13	-6.99	-6.66	-6.69	-6.82	-6.80	-6.81	-6.59	-5.84
259	-10.87	-9.76	-10.57	-7.25	-7.02	-7.07	-6.95	-6.71	-6.68	-6.67	-6.03
260	-11.59	-10.31	-11.05	-7.50	-7.40	-7.55	-7.20	-6.71	-6.60	-6.75	-6.27
261	-12.37	-10.90	-11.56	-7.75	-7.78	-8.12	-7.58	-6.84	-6.60	-6.85	-6.54
262	-13.22	-11.54	-12.11	-7.99	-8.14	-8.74	-8.09	-7.09	-6.69	-6.97	-6.83
263	-14.14	-12.25	-12.70	-8.20	-8.43	-9.36	-8.70	-7.47	-6.89	-7.14	-7.12
264	-15.15	-13.04	-13.34	-8.40	-8.65	-9.91	-9.40	-7.97	-7.21	-7.36	-7.40
265	-16.24	-13.91	-14.04	-8.58	-8.76	-10.30	-10.11	-8.59	-7.65	-7.65	-7.66
266	-17.42	-14.87	-14.81	-8.76	-8.79	-10.49	-10.75	-9.28	-8.20	-8.02	-7.89
267	-18.69	-15.95	-15.65	-8.95	-8.76	-10.47	-11.22	-9.97	-8.81	-8.48	-8.10
268	-19.99	-17.18	-16.57	-9.18	-8.72	-10.29	-11.44	-10.57	-9.43	-9.00	-8.30
269	-21.27	-18.57	-17.59	-9.47	-8.70	-10.04	-11.41	-10.99	-9.98	-9.56	-8.52
270	-22.36	-20.17	-18.73	-9.84	-8.75	-9.78	-11.20	-11.18	-10.40	-10.15	-8.78
271	-23.07	-22.03	-19.98	-10.32	-8.90	-9.59	-10.93	-11.16	-10.65	-10.70	-9.09
272	-23.23	-24.20	-21.38	-10.93	-9.18	-9.50	-10.68	-11.04	-10.74	-11.19	-9.47
273	-22.88	-26.61	-22.90	-11.69	-9.61	-9.53	-10.52	-10.89	-10.75	-11.59	-9.93
274	-22.22	-28.79	-24.51	-12.63	-10.22	-9.69	-10.47	-10.80	-10.75	-11.90	-10.45
275	-21.43	-29.49	-26.06	-13.74	-11.02	-10.01	-10.53	-10.81	-10.79	-12.15	-11.02

276	-20.66	-28.27	-27.21	-15.03	-12.05	-10.49	-10.72	-10.92	-10.91	-12.37	-11.62
277	-19.95	-26.36	-27.57	-16.41	-13.35	-11.13	-11.01	-11.14	-11.12	-12.58	-12.19
278	-19.34	-24.60	-27.08	-17.73	-14.96	-11.94	-11.39	-11.43	-11.39	-12.81	-12.73
279	-18.83	-23.13	-26.08	-18.67	-16.96	-12.96	-11.85	-11.77	-11.70	-13.05	-13.19
280	-18.42	-21.96	-24.96	-18.90	-19.40	-14.22	-12.38	-12.11	-11.99	-13.28	-13.56
281	-18.11	-21.03	-23.90	-18.45	-22.08	-15.76	-12.99	-12.41	-12.23	-13.47	-13.85
282	-17.89	-20.29	-22.97	-17.62	-23.85	-17.71	-13.69	-12.68	-12.37	-13.59	-14.06
283	-17.76	-19.72	-22.20	-16.72	-23.13	-20.23	-14.50	-12.91	-12.42	-13.61	-14.20
284	-17.70	-19.29	-21.57	-15.91	-21.04	-23.76	-15.46	-13.14	-12.40	-13.54	-14.26
285	-17.72	-18.99	-21.07	-15.25	-19.03	-29.35	-16.64	-13.41	-12.36	-13.39	-14.26
286	-17.82	-18.79	-20.69	-14.75	-17.43	-36.49	-18.13	-13.79	-12.35	-13.20	-14.19
287	-17.98	-18.70	-20.43	-14.42	-16.21	-29.21	-20.11	-14.32	-12.45	-13.04	-14.08
288	-18.21	-18.70	-20.26	-14.23	-15.30	-24.21	-22.93	-15.08	-12.69	-12.95	-13.95
289	-18.50	-18.78	-20.19	-14.20	-14.66	-21.18	-27.43	-16.15	-13.14	-12.99	-13.83
290	-18.85	-18.95	-20.22	-14.30	-14.23	-19.12	-37.31	-17.65	-13.85	-13.19	-13.78
291	-19.26	-19.19	-20.32	-14.55	-14.01	-17.67	-33.98	-19.78	-14.89	-13.62	-13.83
292	-19.72	-19.51	-20.52	-14.95	-13.99	-16.63	-26.23	-22.97	-16.32	-14.33	-14.05
293	-20.23	-19.90	-20.79	-15.52	-14.15	-15.94	-22.38	-28.41	-18.27	-15.35	-14.49
294	-20.79	-20.35	-21.15	-16.29	-14.52	-15.53	-20.02	-42.56	-20.91	-16.77	-15.21
295	-21.37	-20.86	-21.58	-17.29	-15.11	-15.38	-18.50	-30.89	-24.42	-18.64	-16.25
296	-21.98	-21.44	-22.09	-18.56	-15.94	-15.50	-17.57	-24.90	-28.02	-20.93	-17.69
297	-22.61	-22.06	-22.68	-20.15	-17.05	-15.88	-17.11	-21.86	-27.91	-23.16	-19.55
298	-23.24	-22.72	-23.34	-22.04	-18.49	-16.54	-17.06	-20.12	-25.23	-24.02	-21.74
299	-23.86	-23.41	-24.06	-23.99	-20.29	-17.51	-17.39	-19.19	-23.17	-23.04	-23.62
300	-24.45	-24.12	-24.85	-25.10	-22.40	-18.82	-18.09	-18.86	-22.02	-21.58	-23.94
301	-25.00	-24.81	-25.69	-24.48	-24.34	-20.51	-19.18	-19.04	-21.60	-20.49	-22.73
302	-25.50	-25.46	-26.56	-22.80	-24.92	-22.51	-20.68	-19.66	-21.79	-19.94	-21.25
303	-25.93	-26.05	-27.44	-21.09	-23.74	-24.49	-22.63	-20.66	-22.44	-19.93	-20.12
304	-26.30	-26.54	-28.29	-19.70	-21.97	-25.44	-25.12	-21.90	-23.30	-20.40	-19.40
305	-26.60	-26.93	-29.07	-18.71	-20.40	-24.69	-28.25	-23.07	-23.88	-21.24	-19.06
306	-26.83	-27.18	-29.76	-18.07	-19.21	-23.11	-31.97	-23.73	-23.65	-22.19	-19.00
307	-26.97	-27.31	-30.30	-17.76	-18.39	-21.56	-34.85	-23.70	-22.66	-22.72	-19.10
308	-27.03	-27.32	-30.68	-17.75	-17.90	-20.31	-33.78	-23.31	-21.49	-22.39	-19.24
309	-27.01	-27.22	-30.91	-18.03	-17.70	-19.38	-30.89	-23.03	-20.54	-21.38	-19.31
310	-26.88	-27.03	-31.00	-18.57	-17.77	-18.73	-28.25	-23.19	-19.98	-20.24	-19.25
311	-26.67	-26.75	-30.99	-19.35	-18.07	-18.29	-26.04	-23.98	-19.89	-19.34	-19.09
312	-26.35	-26.40	-30.90	-20.35	-18.58	-18.03	-24.18	-25.68	-20.31	-18.80	-18.90
313	-25.96	-25.99	-30.73	-21.47	-19.30	-17.93	-22.63	-28.73	-21.28	-18.69	-18.76
314	-25.50	-25.54	-30.49	-22.57	-20.18	-17.98	-21.35	-33.38	-22.79	-19.03	-18.77
315	-25.00	-25.04	-30.17	-23.45	-21.21	-18.17	-20.35	-32.52	-24.54	-19.84	-18.97
316	-24.47	-24.53	-29.79	-23.92	-22.36	-18.51	-19.61	-27.20	-25.37	-21.15	-19.38
317	-23.93	-24.00	-29.33	-23.97	-23.60	-19.02	-19.15	-23.56	-24.17	-22.90	-19.97
318	-23.39	-23.47	-28.80	-23.75	-24.90	-19.74	-18.95	-21.19	-22.04	-24.68	-20.66
319	-22.88	-22.96	-28.21	-23.48	-26.22	-20.70	-19.03	-19.66	-20.15	-25.40	-21.27

320	-22.39	-22.45	-27.59	-23.29	-27.49	-21.95	-19.40	-18.76	-18.79	-24.43	-21.57
321	-21.93	-21.98	-26.94	-23.25	-28.54	-23.57	-20.06	-18.39	-17.93	-22.84	-21.41
322	-21.51	-21.53	-26.29	-23.39	-29.13	-25.69	-21.05	-18.50	-17.55	-21.48	-20.89
323	-21.13	-21.12	-25.66	-23.72	-29.03	-28.60	-22.37	-19.05	-17.58	-20.58	-20.23
324	-20.78	-20.74	-25.05	-24.22	-28.29	-32.98	-24.06	-20.03	-18.01	-20.14	-19.63
325	-20.48	-20.40	-24.47	-24.90	-27.16	-42.00	-26.20	-21.46	-18.78	-20.08	-19.20
326	-20.21	-20.10	-23.93	-25.76	-25.88	-44.06	-28.92	-23.30	-19.86	-20.32	-18.97
327	-19.98	-19.83	-23.44	-26.76	-24.62	-33.86	-32.67	-25.49	-21.19	-20.76	-18.96
328	-19.78	-19.60	-23.00	-27.85	-23.42	-29.33	-39.15	-27.89	-22.69	-21.29	-19.19
329	-19.62	-19.41	-22.60	-28.84	-22.32	-26.37	-56.30	-30.34	-24.30	-21.83	-19.69
330	-19.48	-19.24	-22.26	-29.45	-21.35	-24.20	-36.59	-32.89	-26.06	-22.36	-20.51
331	-19.38	-19.11	-21.95	-29.46	-20.51	-22.54	-30.75	-35.64	-28.10	-22.95	-21.74
332	-19.29	-19.00	-21.69	-28.98	-19.85	-21.27	-27.21	-36.55	-30.50	-23.71	-23.51
333	-19.22	-18.91	-21.48	-28.35	-19.37	-20.35	-24.78	-33.24	-32.35	-24.67	-25.99
334	-19.17	-18.84	-21.29	-27.87	-19.12	-19.76	-23.12	-29.53	-31.37	-25.79	-29.19
335	-19.12	-18.79	-21.15	-27.74	-19.12	-19.49	-22.07	-26.84	-28.74	-26.82	-31.57
336	-19.08	-18.75	-21.02	-28.09	-19.41	-19.57	-21.60	-25.14	-26.51	-27.47	-30.37
337	-19.05	-18.71	-20.93	-29.02	-20.02	-20.02	-21.69	-24.30	-25.11	-27.69	-28.00
338	-19.01	-18.67	-20.85	-30.65	-21.02	-20.88	-22.37	-24.30	-24.51	-27.76	-26.32
339	-18.96	-18.62	-20.78	-33.00	-22.49	-22.22	-23.70	-25.20	-24.63	-27.84	-25.32
340	-18.90	-18.57	-20.71	-35.07	-24.58	-24.10	-25.60	-26.96	-25.31	-27.52	-24.61
341	-18.82	-18.51	-20.65	-34.21	-27.60	-26.42	-27.21	-28.56	-25.90	-26.04	-23.65
342	-18.73	-18.44	-20.58	-31.51	-32.29	-28.38	-26.63	-27.06	-25.19	-23.55	-22.16
343	-18.63	-18.36	-20.51	-29.23	-41.55	-28.22	-24.28	-23.65	-23.05	-20.94	-20.37
344	-18.51	-18.26	-20.42	-27.76	-41.80	-26.34	-21.99	-20.71	-20.68	-18.70	-18.65
345	-18.38	-18.15	-20.33	-27.08	-34.23	-24.46	-20.30	-18.57	-18.71	-16.94	-17.25
346	-18.23	-18.03	-20.22	-27.13	-31.02	-23.10	-19.19	-17.12	-17.26	-15.67	-16.25
347	-18.08	-17.91	-20.11	-27.98	-29.43	-22.28	-18.59	-16.25	-16.32	-14.86	-15.70
348	-17.92	-17.78	-19.99	-29.74	-28.66	-21.94	-18.46	-15.89	-15.85	-14.49	-15.58
349	-17.77	-17.66	-19.87	-32.57	-28.34	-22.03	-18.73	-16.00	-15.83	-14.54	-15.92
350	-17.62	-17.54	-19.75	-35.35	-28.15	-22.48	-19.37	-16.57	-16.22	-15.02	-16.72
351	-17.48	-17.44	-19.63	-33.72	-27.86	-23.20	-20.32	-17.60	-17.01	-15.94	-18.04
352	-17.37	-17.35	-19.53	-30.15	-27.41	-24.09	-21.52	-19.08	-18.14	-17.29	-19.93
353	-17.27	-17.28	-19.44	-27.48	-26.87	-24.96	-22.85	-20.95	-19.50	-19.06	-22.44
354	-17.20	-17.24	-19.37	-25.75	-26.41	-25.61	-24.16	-22.98	-20.80	-21.06	-25.49
355	-17.16	-17.23	-19.33	-24.76	-26.15	-25.97	-25.35	-24.60	-21.67	-22.84	-28.28
356	-17.16	-17.26	-19.32	-24.34	-26.17	-26.15	-26.44	-25.26	-21.90	-23.75	-29.05
357	-17.21	-17.33	-19.36	-24.43	-26.54	-26.35	-27.60	-25.24	-21.76	-23.75	-28.10
358	-17.30	-17.45	-19.44	-24.93	-27.30	-26.76	-28.99	-25.23	-21.63	-23.48	-27.10
359	-17.45	-17.63	-19.59	-25.80	-28.51	-27.49	-30.69	-25.63	-21.73	-23.42	-26.58
Vertical											
0	-17.66	-17.88	-19.80	-26.96	-30.32	-28.55	-32.39	-26.61	-22.12	-23.72	-26.50
1	-18.11	-18.78	-20.79	-23.92	-27.68	-27.32	-30.93	-25.17	-21.84	-23.13	-27.04
2	-18.74	-19.86	-21.67	-21.77	-25.72	-27.37	-30.10	-24.26	-22.42	-23.54	-28.25

3	-19.48	-20.84	-22.19	-20.72	-24.66	-28.41	-29.94	-24.12	-23.89	-24.96	-29.62
4	-20.26	-21.47	-22.30	-20.72	-24.41	-30.30	-30.27	-24.89	-25.60	-26.16	-28.83
5	-21.00	-21.70	-22.28	-21.77	-24.98	-32.81	-30.61	-26.07	-25.36	-25.14	-25.36
6	-21.68	-21.80	-22.43	-23.66	-26.55	-35.20	-30.39	-26.47	-23.65	-23.31	-22.53
7	-22.35	-22.04	-22.98	-25.40	-29.39	-36.22	-29.71	-26.21	-22.90	-22.19	-21.44
8	-23.08	-22.63	-24.09	-25.56	-32.65	-35.79	-29.15	-26.68	-23.61	-21.82	-22.04
9	-23.90	-23.62	-25.83	-24.71	-32.49	-34.65	-29.17	-28.38	-24.59	-21.77	-23.40
10	-24.72	-24.89	-28.10	-24.10	-30.96	-33.09	-29.86	-29.49	-23.81	-21.80	-23.47
11	-25.35	-26.01	-30.27	-24.05	-31.16	-31.40	-30.81	-27.75	-22.61	-22.46	-23.07
12	-25.67	-26.33	-30.91	-24.63	-32.79	-30.02	-30.91	-26.05	-22.94	-24.87	-24.55
13	-25.72	-25.75	-29.85	-26.50	-32.49	-29.24	-29.64	-26.00	-26.04	-29.64	-26.98
14	-25.63	-24.84	-28.31	-32.01	-29.97	-28.97	-28.07	-27.81	-31.74	-26.18	-23.23
15	-25.52	-24.09	-26.78	-38.91	-28.41	-28.51	-26.94	-30.44	-25.26	-21.29	-19.53
16	-25.39	-23.65	-25.29	-27.22	-27.77	-26.81	-26.26	-28.73	-20.83	-19.41	-18.31
17	-25.26	-23.41	-23.90	-23.35	-26.18	-24.30	-25.72	-25.05	-19.46	-19.88	-19.12
18	-25.10	-23.16	-22.69	-22.05	-23.16	-22.11	-25.05	-22.76	-20.22	-22.31	-20.66
19	-24.82	-22.61	-21.74	-21.05	-20.37	-20.77	-24.35	-21.89	-22.48	-24.08	-19.95
20	-24.22	-21.72	-21.07	-18.80	-18.57	-20.48	-24.03	-22.35	-24.69	-22.08	-18.13
21	-23.13	-20.70	-20.67	-16.41	-17.88	-21.42	-24.43	-24.17	-25.20	-20.37	-17.53
22	-21.72	-19.78	-20.44	-15.03	-18.36	-24.00	-25.54	-26.77	-24.63	-20.36	-18.54
23	-20.37	-19.14	-20.26	-14.94	-20.27	-28.35	-26.22	-26.05	-23.04	-21.48	-20.70
24	-19.33	-18.80	-19.96	-16.26	-24.32	-28.23	-24.59	-22.35	-20.83	-21.71	-21.98
25	-18.75	-18.71	-19.40	-19.24	-31.86	-23.88	-21.97	-19.56	-19.27	-20.06	-20.67
26	-18.61	-18.70	-18.59	-24.21	-29.78	-21.42	-20.00	-18.12	-18.97	-18.51	-19.04
27	-18.82	-18.56	-17.69	-27.61	-25.32	-20.70	-19.02	-17.93	-19.87	-17.89	-18.44
28	-19.17	-18.17	-16.88	-24.66	-24.36	-21.38	-19.00	-18.99	-20.99	-18.16	-19.38
29	-19.34	-17.58	-16.28	-22.82	-26.05	-22.97	-19.84	-21.14	-20.88	-19.39	-22.86
30	-19.11	-16.97	-15.96	-22.90	-30.05	-23.90	-21.18	-22.69	-20.34	-22.24	-33.63
31	-18.55	-16.45	-15.92	-24.89	-29.47	-22.79	-22.08	-21.39	-20.87	-28.09	-25.56
32	-17.86	-16.07	-16.12	-29.21	-25.15	-21.29	-21.67	-19.82	-23.03	-26.31	-18.97
33	-17.17	-15.80	-16.47	-30.59	-22.97	-20.66	-20.65	-19.76	-25.12	-19.85	-16.02
34	-16.49	-15.60	-16.84	-25.24	-22.74	-21.00	-19.91	-21.26	-22.08	-16.35	-14.79
35	-15.82	-15.44	-17.06	-22.10	-24.29	-21.84	-19.62	-22.31	-18.34	-14.60	-14.67
36	-15.20	-15.33	-16.99	-21.07	-27.85	-22.09	-19.58	-19.95	-16.05	-14.05	-15.25
37	-14.68	-15.25	-16.59	-21.81	-31.35	-21.23	-19.43	-17.27	-14.96	-14.31	-16.21
38	-14.30	-15.11	-15.92	-24.33	-27.73	-20.20	-19.06	-15.90	-14.76	-14.96	-17.27
39	-14.05	-14.78	-15.15	-28.92	-24.07	-19.82	-18.65	-15.83	-15.29	-15.50	-17.74
40	-13.84	-14.21	-14.45	-32.81	-22.18	-20.24	-18.34	-16.80	-16.19	-15.42	-16.55
41	-13.62	-13.49	-13.94	-28.70	-21.64	-21.12	-18.10	-18.10	-16.48	-14.55	-14.64
42	-13.32	-12.81	-13.69	-24.53	-22.25	-21.41	-17.73	-18.23	-15.55	-13.47	-13.47
43	-13.01	-12.33	-13.69	-21.43	-23.85	-20.33	-17.15	-17.00	-14.38	-12.96	-13.51
44	-12.76	-12.14	-13.85	-19.15	-25.78	-18.76	-16.54	-15.87	-13.98	-13.49	-14.72
45	-12.68	-12.28	-14.00	-17.78	-26.26	-17.66	-16.21	-15.61	-14.80	-15.25	-16.32
46	-12.80	-12.66	-13.94	-17.45	-25.17	-17.33	-16.36	-16.41	-17.00	-17.52	-16.45

47	-13.13	-13.19	-13.65	-18.22	-24.32	-17.86	-17.11	-18.38	-19.51	-17.28	-15.22
48	-13.61	-13.67	-13.27	-19.97	-24.50	-19.28	-18.47	-21.47	-18.60	-15.12	-14.40
49	-14.19	-14.01	-13.04	-22.22	-25.97	-21.46	-20.20	-22.95	-15.94	-13.72	-14.41
50	-14.79	-14.24	-13.16	-23.76	-29.14	-23.38	-21.40	-19.61	-14.04	-13.35	-14.46
51	-15.34	-14.50	-13.73	-23.78	-35.62	-23.18	-21.07	-16.23	-13.00	-13.39	-13.58
52	-15.80	-14.92	-14.85	-23.26	-46.04	-21.78	-19.91	-14.26	-12.59	-13.10	-12.43
53	-16.16	-15.59	-16.57	-23.41	-34.06	-20.91	-19.06	-13.65	-12.62	-12.53	-12.22
54	-16.44	-16.47	-18.95	-24.71	-29.95	-21.07	-18.95	-14.39	-13.06	-12.55	-13.58
55	-16.65	-17.49	-21.97	-26.77	-28.41	-22.38	-19.66	-16.42	-14.17	-13.98	-16.73
56	-16.87	-18.55	-25.41	-28.42	-28.44	-24.90	-21.11	-19.26	-16.26	-17.16	-19.86
57	-17.16	-19.59	-28.40	-29.88	-29.60	-28.40	-22.82	-20.99	-19.20	-19.64	-19.41
58	-17.63	-20.66	-29.20	-32.94	-30.67	-30.35	-23.81	-20.98	-21.60	-18.36	-19.23
59	-18.34	-21.72	-27.12	-36.81	-29.35	-28.65	-23.69	-21.30	-22.65	-18.00	-21.17
60	-19.33	-22.47	-23.99	-33.27	-26.62	-26.49	-23.32	-22.71	-23.29	-19.77	-24.41
61	-20.57	-22.39	-21.18	-28.46	-24.28	-24.87	-23.28	-24.80	-23.12	-22.80	-27.97
62	-21.94	-21.42	-19.04	-24.82	-22.69	-23.77	-23.58	-26.27	-23.14	-27.56	-31.28
63	-23.14	-20.09	-17.57	-22.22	-21.83	-23.29	-24.12	-26.12	-25.11	-36.48	-26.66
64	-23.65	-18.85	-16.69	-20.63	-21.73	-23.67	-24.93	-25.45	-27.73	-23.46	-23.45
65	-23.09	-17.85	-16.32	-19.99	-22.53	-25.11	-25.95	-25.31	-25.48	-19.27	-23.35
66	-21.61	-17.08	-16.35	-20.23	-24.46	-27.32	-26.26	-25.61	-23.94	-18.82	-25.06
67	-19.72	-16.47	-16.69	-21.35	-27.36	-27.83	-24.89	-25.48	-24.47	-21.00	-26.33
68	-17.84	-15.96	-17.18	-23.55	-28.09	-25.47	-22.83	-24.05	-22.87	-24.71	-25.43
69	-16.19	-15.52	-17.64	-27.97	-25.06	-23.18	-21.18	-21.55	-19.75	-27.00	-23.09
70	-14.88	-15.14	-17.87	-35.29	-22.42	-21.84	-20.11	-19.11	-18.54	-26.27	-22.34
71	-13.91	-14.82	-17.74	-24.86	-20.96	-21.23	-19.49	-17.59	-19.57	-25.15	-25.64
72	-13.29	-14.55	-17.26	-19.32	-20.45	-21.05	-19.23	-17.40	-22.06	-25.63	-25.68
73	-12.97	-14.35	-16.58	-16.74	-20.55	-21.18	-19.40	-18.81	-23.46	-23.50	-18.62
74	-12.90	-14.22	-15.90	-16.12	-20.97	-21.75	-20.26	-22.42	-23.28	-18.84	-16.13
75	-12.98	-14.16	-15.38	-17.23	-21.68	-23.17	-22.18	-30.53	-22.11	-16.48	-17.25
76	-13.11	-14.17	-15.09	-20.15	-23.05	-26.09	-25.87	-35.78	-19.85	-16.73	-21.42
77	-13.21	-14.25	-15.07	-25.55	-25.91	-32.04	-33.37	-26.74	-18.71	-19.52	-20.59
78	-13.23	-14.37	-15.31	-38.70	-32.14	-46.18	-42.05	-23.75	-20.01	-23.35	-17.62
79	-13.20	-14.49	-15.75	-32.24	-37.14	-34.21	-32.73	-22.88	-25.12	-22.69	-18.09
80	-13.18	-14.60	-16.32	-25.35	-29.46	-31.12	-31.27	-23.80	-45.01	-21.10	-22.43
81	-13.23	-14.69	-16.91	-22.57	-27.27	-31.72	-33.97	-27.46	-26.00	-21.07	-34.89
82	-13.40	-14.78	-17.45	-21.95	-28.89	-33.74	-42.30	-32.39	-21.48	-22.26	-28.77
83	-13.70	-14.91	-17.90	-22.79	-37.61	-31.62	-35.39	-24.61	-20.43	-24.41	-24.62
84	-14.12	-15.12	-18.30	-23.31	-34.67	-27.98	-29.85	-19.76	-20.91	-24.19	-23.08
85	-14.62	-15.46	-18.73	-22.18	-26.38	-25.77	-27.33	-17.32	-17.86	-18.52	-18.42
86	-15.18	-16.00	-19.30	-21.54	-23.41	-24.60	-25.93	-16.25	-13.52	-13.77	-13.25
87	-15.80	-16.79	-20.13	-22.92	-22.64	-23.54	-24.39	-16.00	-11.16	-10.93	-10.03
88	-16.49	-17.93	-21.35	-26.51	-23.03	-21.92	-22.09	-16.32	-10.63	-9.57	-8.61
89	-17.35	-19.57	-23.23	-28.76	-23.64	-19.85	-19.40	-17.21	-11.05	-9.04	-8.24
90	-18.49	-22.01	-26.10	-28.67	-23.67	-17.77	-16.85	-18.81	-11.13	-8.66	-7.90

91	-20.14	-25.94	-29.33	-26.31	-22.72	-15.90	-14.68	-20.60	-10.96	-8.39	-7.35
92	-22.72	-32.33	-26.95	-18.95	-20.44	-14.25	-12.93	-19.94	-11.61	-8.73	-7.41
93	-27.53	-28.90	-21.88	-13.73	-17.41	-12.80	-11.54	-16.10	-12.76	-9.63	-8.40
94	-47.49	-22.48	-17.89	-10.58	-14.59	-11.49	-10.40	-12.07	-11.80	-9.87	-9.49
95	-27.77	-18.31	-14.83	-8.82	-12.36	-10.29	-9.38	-8.93	-9.19	-8.55	-8.95
96	-20.58	-15.25	-12.40	-7.95	-10.67	-9.13	-8.37	-6.76	-7.03	-6.70	-7.00
97	-16.29	-12.81	-10.43	-7.53	-9.38	-8.01	-7.34	-5.47	-5.57	-5.12	-4.97
98	-13.19	-10.76	-8.80	-7.20	-8.35	-6.95	-6.33	-4.91	-4.72	-4.03	-3.50
99	-10.77	-8.99	-7.44	-6.71	-7.47	-6.00	-5.41	-4.85	-4.44	-3.47	-2.75
100	-8.82	-7.43	-6.28	-5.96	-6.70	-5.18	-4.64	-4.96	-4.66	-3.36	-2.54
101	-7.22	-6.04	-5.27	-5.05	-6.01	-4.54	-4.06	-4.95	-5.06	-3.45	-2.52
102	-5.91	-4.82	-4.38	-4.19	-5.41	-4.07	-3.69	-4.66	-5.17	-3.45	-2.35
103	-4.83	-3.76	-3.58	-3.57	-4.92	-3.76	-3.50	-4.17	-4.72	-3.19	-1.98
104	-3.94	-2.86	-2.88	-3.24	-4.58	-3.58	-3.47	-3.73	-3.92	-2.77	-1.66
105	-3.21	-2.11	-2.26	-3.15	-4.37	-3.50	-3.52	-3.51	-3.27	-2.43	-1.67
106	-2.61	-1.53	-1.72	-3.17	-4.24	-3.46	-3.56	-3.59	-3.13	-2.38	-2.08
107	-2.12	-1.09	-1.27	-3.13	-4.11	-3.37	-3.52	-3.92	-3.60	-2.61	-2.62
108	-1.72	-0.79	-0.90	-2.92	-3.91	-3.20	-3.36	-4.29	-4.44	-2.84	-2.70
109	-1.41	-0.59	-0.60	-2.51	-3.60	-2.94	-3.08	-4.46	-5.08	-2.73	-2.07
110	-1.18	-0.47	-0.35	-1.98	-3.19	-2.60	-2.75	-4.26	-5.02	-2.37	-1.22
111	-1.01	-0.39	-0.15	-1.47	-2.73	-2.25	-2.42	-3.74	-4.35	-2.11	-0.76
112	-0.89	-0.32	0.01	-1.07	-2.31	-1.93	-2.15	-3.12	-3.54	-2.08	-0.91
113	-0.80	-0.23	0.15	-0.84	-1.98	-1.67	-1.96	-2.58	-3.02	-2.22	-1.46
114	-0.70	-0.11	0.26	-0.74	-1.76	-1.49	-1.84	-2.24	-2.94	-2.39	-1.87
115	-0.58	0.05	0.35	-0.68	-1.64	-1.37	-1.75	-2.09	-3.14	-2.39	-1.59
116	-0.41	0.25	0.42	-0.57	-1.58	-1.31	-1.66	-2.01	-3.24	-2.10	-0.69
117	-0.21	0.45	0.46	-0.43	-1.53	-1.24	-1.52	-1.87	-2.98	-1.73	0.24
118	0.03	0.64	0.49	-0.30	-1.42	-1.15	-1.33	-1.64	-2.43	-1.63	0.66
119	0.26	0.80	0.50	-0.22	-1.23	-1.00	-1.09	-1.35	-1.90	-1.89	0.41
120	0.48	0.92	0.51	-0.18	-0.96	-0.78	-0.82	-1.08	-1.67	-2.35	-0.36
121	0.67	1.00	0.54	-0.16	-0.65	-0.50	-0.55	-0.91	-1.78	-2.75	-1.23
122	0.80	1.05	0.58	-0.11	-0.38	-0.19	-0.30	-0.87	-2.07	-2.91	-1.72
123	0.88	1.08	0.68	-0.02	-0.17	0.12	-0.08	-0.92	-2.23	-2.80	-1.71
124	0.91	1.13	0.82	0.13	-0.06	0.40	0.08	-0.98	-2.10	-2.59	-1.52
125	0.94	1.21	1.01	0.29	-0.01	0.59	0.18	-0.97	-1.83	-2.46	-1.45
126	0.98	1.36	1.24	0.40	0.02	0.69	0.20	-0.86	-1.70	-2.44	-1.53
127	1.06	1.58	1.50	0.40	0.06	0.69	0.14	-0.72	-1.87	-2.42	-1.56
128	1.22	1.85	1.76	0.26	0.13	0.57	-0.02	-0.65	-2.25	-2.25	-1.28
129	1.45	2.16	2.00	0.06	0.21	0.39	-0.23	-0.71	-2.50	-1.88	-0.73
130	1.75	2.46	2.21	-0.13	0.29	0.18	-0.45	-0.86	-2.27	-1.45	-0.18
131	2.08	2.74	2.38	-0.26	0.32	0.00	-0.60	-0.95	-1.55	-1.12	0.09
132	2.40	2.97	2.49	-0.30	0.33	-0.07	-0.61	-0.87	-0.70	-0.90	-0.01
133	2.70	3.13	2.56	-0.28	0.34	0.00	-0.43	-0.62	-0.10	-0.66	-0.31
134	2.94	3.22	2.58	-0.20	0.41	0.21	-0.11	-0.29	0.05	-0.35	-0.51

135	3.11	3.23	2.56	-0.08	0.60	0.50	0.25	0.03	-0.21	-0.10	-0.40
136	3.20	3.19	2.51	0.12	0.89	0.80	0.59	0.29	-0.65	-0.05	-0.08
137	3.22	3.10	2.45	0.39	1.23	1.05	0.84	0.46	-0.97	-0.33	0.17
138	3.19	2.98	2.39	0.67	1.54	1.21	0.98	0.51	-0.99	-0.91	0.19
139	3.12	2.87	2.35	0.89	1.75	1.28	1.03	0.47	-0.83	-1.60	-0.01
140	3.04	2.80	2.34	1.00	1.82	1.29	1.02	0.40	-0.74	-2.04	-0.22
141	2.97	2.77	2.37	0.99	1.77	1.26	1.02	0.36	-0.87	-1.96	-0.23
142	2.95	2.80	2.44	0.93	1.65	1.26	1.08	0.39	-1.15	-1.46	0.09
143	2.97	2.89	2.54	0.94	1.57	1.34	1.27	0.52	-1.38	-0.91	0.59
144	3.05	3.03	2.67	1.13	1.59	1.51	1.57	0.77	-1.32	-0.63	0.99
145	3.15	3.20	2.81	1.54	1.76	1.78	1.94	1.15	-0.87	-0.74	1.06
146	3.28	3.37	2.96	2.09	2.04	2.11	2.34	1.60	-0.18	-1.11	0.74
147	3.40	3.54	3.10	2.61	2.38	2.44	2.71	2.06	0.46	-1.45	0.18
148	3.49	3.68	3.24	2.98	2.72	2.76	3.03	2.46	0.83	-1.53	-0.38
149	3.56	3.79	3.38	3.18	3.02	3.04	3.28	2.76	0.88	-1.39	-0.71
150	3.60	3.88	3.49	3.27	3.26	3.27	3.48	2.96	0.76	-1.18	-0.74
151	3.62	3.94	3.60	3.36	3.46	3.45	3.63	3.08	0.64	-0.98	-0.58
152	3.62	3.98	3.70	3.53	3.62	3.58	3.72	3.15	0.69	-0.74	-0.37
153	3.64	4.02	3.79	3.80	3.74	3.68	3.77	3.19	0.90	-0.37	-0.13
154	3.67	4.06	3.89	4.08	3.83	3.74	3.76	3.18	1.18	0.21	0.19
155	3.73	4.11	3.98	4.30	3.87	3.75	3.70	3.10	1.44	0.96	0.67
156	3.82	4.18	4.07	4.41	3.89	3.73	3.60	2.96	1.64	1.75	1.28
157	3.93	4.27	4.17	4.45	3.90	3.69	3.49	2.80	1.81	2.45	1.88
158	4.05	4.37	4.27	4.49	3.94	3.64	3.40	2.69	2.00	2.96	2.33
159	4.17	4.47	4.37	4.58	4.03	3.60	3.35	2.69	2.28	3.25	2.53
160	4.27	4.58	4.47	4.73	4.16	3.58	3.36	2.82	2.61	3.35	2.49
161	4.34	4.68	4.56	4.89	4.30	3.59	3.41	3.01	2.94	3.31	2.29
162	4.40	4.76	4.63	4.95	4.41	3.61	3.46	3.18	3.16	3.20	2.05
163	4.42	4.83	4.69	4.89	4.45	3.64	3.49	3.23	3.21	3.07	1.90
164	4.44	4.88	4.73	4.72	4.39	3.65	3.47	3.17	3.10	2.95	1.84
165	4.45	4.91	4.75	4.48	4.26	3.63	3.38	3.02	2.91	2.86	1.79
166	4.47	4.93	4.76	4.27	4.11	3.58	3.24	2.88	2.74	2.78	1.72
167	4.51	4.96	4.76	4.12	4.00	3.50	3.12	2.83	2.68	2.71	1.63
168	4.58	4.99	4.75	4.03	3.97	3.44	3.04	2.90	2.75	2.64	1.60
169	4.66	5.05	4.74	3.99	4.03	3.41	3.05	3.07	2.90	2.58	1.69
170	4.76	5.11	4.75	3.99	4.15	3.45	3.15	3.27	3.06	2.54	1.88
171	4.87	5.19	4.76	4.04	4.28	3.56	3.32	3.43	3.16	2.49	2.12
172	4.97	5.28	4.78	4.14	4.37	3.73	3.51	3.52	3.16	2.43	2.36
173	5.06	5.36	4.82	4.30	4.41	3.92	3.66	3.50	3.07	2.41	2.58
174	5.12	5.42	4.85	4.49	4.43	4.09	3.77	3.39	2.93	2.51	2.80
175	5.16	5.47	4.89	4.67	4.46	4.22	3.80	3.25	2.87	2.82	3.07
176	5.17	5.49	4.93	4.83	4.54	4.30	3.80	3.16	3.00	3.34	3.42
177	5.17	5.50	4.98	4.96	4.68	4.32	3.79	3.20	3.36	3.95	3.81
178	5.16	5.48	5.02	5.07	4.84	4.33	3.82	3.42	3.86	4.50	4.17



179	5.16	5.46	5.06	5.15	5.00	4.34	3.93	3.80	4.39	4.89	4.43
180	5.15	5.45	5.11	5.16	5.12	4.38	4.12	4.24	4.82	5.09	4.59
181	5.15	5.44	5.16	5.09	5.19	4.48	4.36	4.63	5.11	5.15	4.65
182	5.16	5.45	5.21	4.93	5.20	4.62	4.61	4.92	5.23	5.14	4.67
183	5.16	5.47	5.25	4.72	5.19	4.79	4.84	5.08	5.24	5.12	4.65
184	5.16	5.50	5.29	4.52	5.17	4.95	5.00	5.13	5.22	5.12	4.62
185	5.15	5.53	5.32	4.38	5.17	5.06	5.11	5.12	5.21	5.10	4.61
186	5.12	5.56	5.33	4.32	5.17	5.12	5.15	5.10	5.22	5.04	4.62
187	5.09	5.58	5.33	4.32	5.18	5.12	5.15	5.08	5.24	4.94	4.69
188	5.04	5.57	5.30	4.33	5.18	5.08	5.14	5.05	5.22	4.82	4.79
189	4.98	5.55	5.27	4.31	5.18	5.03	5.12	5.01	5.14	4.69	4.88
190	4.92	5.50	5.21	4.22	5.19	5.00	5.12	4.99	5.04	4.56	4.88
191	4.86	5.44	5.15	4.09	5.19	4.99	5.15	5.02	4.94	4.41	4.78
192	4.81	5.37	5.08	3.93	5.17	5.03	5.19	5.15	4.88	4.22	4.59
193	4.76	5.30	5.01	3.76	5.13	5.09	5.25	5.38	4.88	4.02	4.36
194	4.72	5.22	4.94	3.59	5.06	5.16	5.31	5.63	4.92	3.90	4.18
195	4.68	5.15	4.86	3.44	4.95	5.21	5.37	5.80	4.97	3.93	4.10
196	4.63	5.09	4.78	3.36	4.81	5.23	5.41	5.79	5.01	4.13	4.16
197	4.57	5.02	4.69	3.39	4.70	5.20	5.43	5.59	5.02	4.42	4.33
198	4.51	4.94	4.60	3.56	4.64	5.14	5.41	5.26	4.99	4.68	4.56
199	4.43	4.86	4.49	3.87	4.66	5.04	5.34	4.92	4.93	4.81	4.76
200	4.35	4.76	4.37	4.22	4.76	4.93	5.22	4.72	4.84	4.78	4.86
201	4.27	4.65	4.24	4.50	4.90	4.83	5.04	4.70	4.74	4.65	4.85
202	4.19	4.53	4.11	4.65	5.02	4.72	4.82	4.78	4.67	4.54	4.72
203	4.12	4.41	3.98	4.64	5.08	4.62	4.57	4.85	4.67	4.53	4.54
204	4.05	4.28	3.85	4.52	5.08	4.51	4.31	4.78	4.69	4.62	4.39
205	3.99	4.16	3.72	4.41	5.02	4.39	4.07	4.55	4.65	4.71	4.31
206	3.93	4.04	3.60	4.37	4.93	4.26	3.85	4.18	4.47	4.68	4.22
207	3.86	3.93	3.48	4.44	4.83	4.14	3.68	3.79	4.13	4.44	4.00
208	3.77	3.82	3.37	4.57	4.74	4.02	3.53	3.45	3.66	3.99	3.56
209	3.67	3.71	3.27	4.63	4.65	3.91	3.39	3.17	3.15	3.44	2.91
210	3.55	3.61	3.17	4.54	4.55	3.81	3.23	2.88	2.71	2.91	2.19
211	3.42	3.52	3.10	4.28	4.41	3.71	3.03	2.48	2.35	2.47	1.57
212	3.28	3.44	3.04	3.91	4.23	3.59	2.79	1.96	1.97	2.07	1.13
213	3.14	3.37	2.99	3.54	4.02	3.44	2.52	1.37	1.45	1.57	0.76
214	3.01	3.31	2.96	3.29	3.80	3.27	2.24	0.86	0.80	0.84	0.25
215	2.90	3.26	2.93	3.18	3.58	3.07	1.98	0.54	0.11	-0.09	-0.54
216	2.82	3.21	2.90	3.08	3.38	2.87	1.78	0.39	-0.40	-1.01	-1.47
217	2.75	3.14	2.84	2.86	3.19	2.68	1.64	0.30	-0.63	-1.59	-2.23
218	2.70	3.06	2.74	2.45	2.99	2.51	1.55	0.12	-0.77	-1.70	-2.43
219	2.65	2.95	2.60	1.91	2.77	2.37	1.47	-0.14	-1.06	-1.55	-2.07
220	2.60	2.81	2.41	1.38	2.52	2.22	1.38	-0.42	-1.58	-1.50	-1.63
221	2.54	2.64	2.19	1.03	2.23	2.05	1.24	-0.57	-2.21	-1.77	-1.59
222	2.47	2.46	1.95	0.92	1.90	1.83	1.05	-0.54	-2.59	-2.33	-2.06

223	2.40	2.28	1.70	0.88	1.51	1.56	0.83	-0.44	-2.41	-2.82	-2.75
224	2.32	2.12	1.50	0.66	1.08	1.23	0.60	-0.44	-1.88	-2.78	-3.03
225	2.24	1.99	1.34	0.11	0.59	0.88	0.40	-0.66	-1.49	-2.17	-2.44
226	2.15	1.91	1.26	-0.73	0.07	0.51	0.22	-1.07	-1.47	-1.40	-1.35
227	2.05	1.85	1.24	-1.63	-0.44	0.14	0.05	-1.50	-1.86	-0.85	-0.48
228	1.92	1.80	1.27	-2.24	-0.91	-0.23	-0.16	-1.68	-2.47	-0.66	-0.18
229	1.75	1.74	1.31	-2.35	-1.29	-0.62	-0.44	-1.53	-2.85	-0.68	-0.33
230	1.51	1.64	1.32	-2.18	-1.63	-1.05	-0.84	-1.20	-2.58	-0.52	-0.46
231	1.21	1.49	1.27	-2.16	-1.98	-1.54	-1.39	-0.99	-1.88	0.07	-0.04
232	0.85	1.27	1.14	-2.51	-2.42	-2.09	-2.05	-1.17	-1.21	0.93	0.90
233	0.43	1.00	0.93	-3.15	-2.97	-2.66	-2.78	-1.84	-0.90	1.66	1.82
234	0.01	0.70	0.64	-3.65	-3.57	-3.19	-3.47	-2.93	-1.14	1.95	2.27
235	-0.37	0.40	0.31	-3.39	-4.03	-3.59	-3.99	-4.10	-2.00	1.68	2.05
236	-0.66	0.16	-0.01	-2.27	-4.09	-3.80	-4.28	-4.72	-3.20	0.94	1.25
237	-0.80	0.02	-0.27	-0.97	-3.71	-3.85	-4.38	-4.38	-3.81	0.13	0.33
238	-0.78	0.02	-0.42	-0.03	-3.10	-3.83	-4.38	-3.50	-3.17	-0.10	-0.03
239	-0.62	0.13	-0.45	0.37	-2.51	-3.83	-4.42	-2.73	-1.94	0.41	0.45
240	-0.40	0.31	-0.40	0.24	-2.15	-3.93	-4.61	-2.44	-0.87	1.19	1.24
241	-0.17	0.49	-0.31	-0.33	-2.12	-4.18	-5.01	-2.70	-0.25	1.72	1.72
242	-0.02	0.60	-0.25	-1.20	-2.43	-4.57	-5.63	-3.42	-0.12	1.85	1.67
243	-0.01	0.58	-0.28	-2.12	-3.06	-5.05	-6.44	-4.40	-0.34	1.68	1.25
244	-0.16	0.40	-0.44	-2.67	-3.87	-5.54	-7.32	-5.40	-0.64	1.48	0.85
245	-0.51	0.04	-0.75	-2.59	-4.61	-5.96	-8.13	-6.20	-0.79	1.48	0.85
246	-1.04	-0.49	-1.22	-2.13	-5.11	-6.28	-8.75	-6.72	-0.82	1.62	1.17
247	-1.75	-1.19	-1.84	-1.79	-5.39	-6.53	-9.20	-7.18	-0.97	1.61	1.41
248	-2.61	-2.04	-2.63	-1.88	-5.64	-6.81	-9.58	-7.87	-1.50	1.18	1.15
249	-3.58	-3.01	-3.57	-2.50	-6.05	-7.26	-10.06	-8.97	-2.57	0.14	0.14
250	-4.64	-4.09	-4.64	-3.61	-6.79	-8.02	-10.77	-10.46	-4.15	-1.47	-1.57
251	-5.74	-5.26	-5.84	-5.03	-7.97	-9.23	-11.87	-12.16	-5.96	-3.38	-3.57
252	-6.83	-6.44	-7.09	-6.47	-9.69	-10.97	-13.51	-13.72	-7.58	-5.12	-5.19
253	-7.84	-7.55	-8.30	-7.68	-11.77	-13.25	-15.75	-14.79	-8.80	-6.34	-6.11
254	-8.72	-8.50	-9.35	-8.66	-13.54	-15.81	-18.28	-15.63	-10.03	-7.42	-6.95
255	-9.50	-9.30	-10.22	-9.81	-14.56	-17.91	-20.05	-16.98	-11.81	-9.11	-8.54
256	-10.32	-10.10	-11.00	-11.47	-15.61	-19.13	-20.62	-19.18	-13.95	-11.57	-10.73
257	-11.33	-11.09	-11.92	-13.36	-17.80	-20.27	-21.30	-21.15	-15.33	-13.42	-11.77
258	-12.66	-12.44	-13.14	-14.65	-21.65	-22.35	-23.30	-21.73	-16.42	-14.16	-12.26
259	-14.30	-14.17	-14.77	-15.63	-24.73	-25.93	-27.23	-22.75	-19.12	-16.11	-14.72
260	-16.03	-16.10	-16.68	-17.57	-23.74	-30.16	-30.77	-25.85	-23.37	-20.16	-18.78
261	-17.32	-17.63	-18.33	-20.49	-23.96	-30.30	-28.33	-28.80	-24.27	-21.76	-18.28
262	-17.93	-18.27	-19.01	-21.92	-28.01	-29.25	-26.63	-27.28	-25.16	-21.56	-18.68
263	-18.37	-18.45	-18.93	-22.24	-39.13	-30.51	-27.45	-27.31	-30.79	-25.72	-24.86
264	-19.41	-19.04	-19.01	-24.03	-29.28	-35.12	-31.25	-30.48	-30.34	-34.10	-25.17
265	-21.82	-20.65	-19.85	-25.21	-26.21	-39.92	-39.70	-31.28	-27.39	-27.85	-21.39
266	-27.10	-24.07	-21.89	-23.78	-27.84	-34.44	-36.73	-28.77	-29.32	-29.78	-25.36

267	-38.41	-32.23	-25.89	-23.50	-36.81	-32.22	-32.91	-29.50	-30.26	-34.82	-35.63
268	-26.05	-35.51	-33.43	-24.57	-35.46	-33.21	-33.28	-33.75	-28.84	-27.06	-23.91
269	-20.94	-25.24	-30.49	-24.62	-28.08	-37.90	-37.35	-32.49	-32.30	-26.54	-24.37
270	-18.50	-21.41	-24.76	-23.95	-26.95	-57.77	-44.82	-29.01	-37.00	-33.19	-34.69
271	-17.51	-19.64	-21.97	-24.06	-29.46	-41.92	-39.86	-28.44	-29.70	-33.78	-28.57
272	-17.62	-19.13	-20.76	-24.61	-35.21	-38.29	-37.53	-29.35	-28.87	-28.50	-25.66
273	-18.79	-19.63	-20.69	-26.01	-32.48	-39.15	-39.27	-30.53	-32.21	-30.03	-29.33
274	-21.16	-21.11	-21.63	-31.34	-28.93	-41.77	-46.34	-33.21	-35.84	-37.05	-34.14
275	-25.05	-23.61	-23.66	-41.03	-28.77	-40.51	-53.03	-40.07	-39.30	-36.81	-31.65
276	-29.68	-26.67	-26.87	-27.81	-31.91	-38.39	-44.75	-36.32	-41.95	-35.36	-31.88
277	-28.63	-27.66	-29.69	-25.66	-40.18	-38.87	-44.59	-32.37	-33.95	-37.15	-31.60
278	-25.73	-25.90	-28.04	-28.67	-35.61	-42.18	-47.84	-33.27	-34.26	-39.19	-35.58
279	-24.52	-24.34	-25.26	-39.97	-30.66	-42.26	-47.48	-39.05	-44.99	-45.93	-39.19
280	-24.87	-23.85	-23.66	-29.85	-29.65	-37.61	-46.33	-38.31	-33.15	-37.28	-28.22
281	-26.64	-24.43	-23.26	-26.59	-31.65	-35.25	-49.70	-33.50	-29.71	-32.55	-26.64
282	-29.97	-26.00	-23.93	-27.52	-36.17	-35.05	-45.50	-32.40	-30.75	-31.90	-28.74
283	-35.19	-28.37	-25.66	-27.94	-33.02	-36.56	-38.87	-33.71	-29.63	-31.34	-27.05
284	-42.13	-30.76	-28.24	-24.16	-28.40	-38.93	-35.70	-37.06	-26.27	-29.14	-24.37
285	-44.31	-31.92	-30.27	-21.58	-26.15	-40.06	-34.31	-33.67	-25.40	-27.89	-24.53
286	-37.55	-32.32	-29.56	-21.09	-25.08	-39.55	-32.85	-27.51	-26.76	-27.75	-26.29
287	-31.13	-33.35	-27.72	-22.07	-24.22	-38.35	-30.10	-23.97	-28.06	-27.13	-26.12
288	-26.55	-34.76	-26.32	-22.59	-23.34	-35.98	-27.11	-22.29	-26.88	-25.21	-22.80
289	-23.35	-33.04	-25.35	-20.85	-22.84	-33.30	-24.80	-21.75	-24.64	-22.99	-19.55
290	-21.13	-28.88	-24.41	-18.62	-22.88	-31.48	-23.33	-21.80	-22.39	-21.51	-18.02
291	-19.56	-25.30	-23.27	-17.01	-23.10	-30.85	-22.63	-22.12	-20.77	-21.26	-18.42
292	-18.42	-22.56	-21.98	-16.19	-23.34	-31.03	-22.67	-22.54	-20.16	-22.13	-20.22
293	-17.55	-20.43	-20.70	-16.53	-24.34	-30.37	-23.46	-22.96	-20.65	-23.10	-21.59
294	-16.90	-18.77	-19.54	-18.88	-27.43	-27.53	-24.87	-23.89	-22.25	-23.34	-22.29
295	-16.47	-17.47	-18.52	-25.21	-29.16	-24.24	-25.99	-26.78	-24.79	-24.30	-24.26
296	-16.33	-16.53	-17.65	-24.46	-22.82	-21.64	-25.22	-33.16	-26.75	-27.71	-25.04
297	-16.55	-15.93	-16.94	-17.69	-18.57	-19.88	-23.20	-28.10	-25.57	-30.59	-22.16
298	-17.18	-15.67	-16.43	-15.01	-16.57	-18.89	-21.52	-23.41	-23.43	-26.75	-21.03
299	-18.21	-15.75	-16.12	-14.74	-16.34	-18.63	-20.63	-22.31	-22.50	-25.43	-23.30
300	-19.46	-16.06	-16.00	-16.52	-17.87	-19.12	-20.59	-23.22	-23.22	-27.97	-31.22
301	-20.36	-16.41	-15.96	-20.39	-21.60	-20.40	-21.44	-22.87	-24.83	-36.06	-30.51
302	-19.97	-16.47	-15.89	-22.93	-27.64	-22.56	-23.40	-20.64	-24.14	-35.19	-26.19
303	-18.39	-16.04	-15.72	-18.74	-25.39	-25.45	-27.22	-19.97	-22.56	-32.20	-27.86
304	-16.60	-15.27	-15.50	-15.04	-21.20	-27.76	-35.64	-22.72	-24.35	-31.22	-29.38
305	-15.18	-14.54	-15.38	-12.88	-19.15	-27.70	-34.13	-35.45	-50.74	-23.27	-21.18
306	-14.34	-14.15	-15.53	-12.00	-18.25	-27.05	-26.99	-22.95	-20.83	-17.20	-15.63
307	-14.14	-14.28	-16.07	-12.24	-18.04	-27.67	-24.06	-17.02	-14.45	-13.64	-12.48
308	-14.65	-15.05	-17.09	-13.42	-18.53	-30.53	-23.17	-14.93	-11.98	-12.10	-11.36
309	-15.96	-16.61	-18.58	-15.42	-19.91	-38.11	-23.79	-15.10	-12.06	-12.54	-12.29
310	-18.26	-19.22	-20.37	-18.26	-22.23	-37.91	-25.77	-17.28	-14.73	-15.30	-15.66

311	-21.93	-23.37	-21.94	-22.20	-24.78	-30.54	-28.72	-21.71	-21.18	-21.67	-22.32
312	-27.46	-30.31	-22.71	-27.22	-26.14	-27.88	-30.89	-28.14	-32.36	-32.94	-29.29
313	-30.39	-35.27	-22.91	-31.77	-27.19	-27.67	-30.79	-30.90	-27.61	-28.27	-28.11
314	-26.75	-30.39	-23.35	-33.47	-30.36	-29.69	-30.51	-31.46	-31.70	-30.60	-26.21
315	-24.40	-29.08	-24.60	-33.19	-38.78	-35.11	-30.94	-30.35	-30.83	-28.65	-23.36
316	-23.36	-30.62	-26.92	-36.04	-34.24	-43.98	-31.16	-26.57	-22.86	-22.57	-22.32
317	-22.87	-33.02	-29.22	-31.08	-28.60	-34.66	-30.32	-24.71	-19.99	-19.77	-21.89
318	-22.48	-29.84	-27.80	-22.85	-25.98	-31.06	-29.23	-25.19	-19.01	-18.42	-19.98
319	-22.12	-25.63	-24.63	-18.75	-23.99	-30.02	-28.65	-27.41	-19.08	-17.79	-18.20
320	-21.99	-23.09	-22.39	-17.10	-22.06	-29.61	-28.48	-28.77	-20.47	-18.07	-17.79
321	-22.24	-21.91	-21.25	-16.94	-20.60	-28.17	-28.19	-27.49	-23.90	-19.62	-18.76
322	-22.80	-21.84	-21.13	-17.11	-19.91	-26.02	-27.53	-26.50	-30.19	-22.64	-20.59
323	-23.42	-22.79	-22.06	-16.70	-19.85	-24.33	-26.96	-26.68	-30.36	-26.61	-22.09
324	-23.84	-24.79	-24.19	-16.12	-20.04	-23.56	-27.13	-27.86	-25.85	-27.72	-23.15
325	-24.14	-27.63	-27.60	-15.96	-20.27	-23.79	-28.60	-30.22	-24.21	-25.97	-25.60
326	-24.67	-29.28	-29.05	-16.27	-20.81	-25.10	-32.25	-35.02	-25.05	-25.05	-28.88
327	-25.57	-27.36	-25.49	-16.95	-22.19	-27.83	-37.80	-35.50	-28.61	-25.51	-27.63
328	-26.34	-24.76	-22.24	-18.11	-25.09	-33.10	-32.54	-28.21	-32.12	-27.15	-27.82
329	-25.95	-22.98	-20.27	-20.23	-30.71	-43.48	-27.83	-24.21	-26.88	-26.15	-31.43
330	-24.59	-22.05	-19.33	-24.57	-41.58	-34.62	-25.69	-22.53	-22.78	-22.06	-26.07
331	-23.44	-21.90	-19.20	-37.44	-34.48	-30.01	-25.43	-22.90	-21.04	-19.78	-21.89
332	-23.13	-22.48	-19.76	-30.86	-31.01	-28.52	-27.07	-25.84	-21.66	-20.14	-21.19
333	-23.84	-23.66	-20.76	-25.83	-30.76	-29.22	-31.62	-33.03	-24.83	-23.59	-23.24
334	-25.30	-24.80	-21.74	-26.52	-32.57	-32.67	-41.46	-29.13	-26.26	-29.11	-27.90
335	-25.77	-24.36	-21.98	-32.79	-36.56	-43.15	-32.10	-23.39	-22.31	-26.04	-32.93
336	-23.49	-22.26	-21.29	-42.74	-40.68	-36.77	-27.22	-20.90	-20.06	-23.56	-29.13
337	-20.58	-20.01	-20.25	-30.35	-35.15	-30.25	-25.27	-20.11	-19.63	-23.04	-24.31
338	-18.36	-18.28	-19.35	-26.12	-30.22	-27.69	-24.94	-20.37	-20.17	-22.68	-21.11
339	-16.94	-17.17	-18.80	-23.19	-27.28	-26.94	-25.64	-21.26	-20.89	-21.85	-19.36
340	-16.21	-16.63	-18.63	-21.65	-25.81	-27.21	-26.56	-22.50	-21.33	-20.57	-18.90
341	-16.07	-16.65	-18.85	-21.83	-25.62	-27.91	-26.59	-23.70	-21.72	-19.44	-19.61
342	-16.47	-17.21	-19.51	-23.56	-26.66	-28.77	-25.76	-23.98	-22.71	-19.24	-21.03
343	-17.41	-18.35	-20.66	-26.04	-28.92	-30.31	-25.08	-22.80	-23.99	-19.89	-21.89
344	-18.91	-20.13	-22.33	-27.26	-32.17	-33.86	-25.15	-21.16	-23.07	-19.96	-20.98
345	-21.13	-22.67	-24.36	-25.15	-35.58	-45.00	-26.22	-20.11	-20.52	-18.88	-19.27
346	-24.40	-25.94	-26.13	-22.29	-37.08	-39.27	-28.57	-20.10	-18.86	-18.20	-18.10
347	-29.77	-28.88	-26.80	-20.86	-34.40	-32.01	-32.85	-21.36	-18.73	-18.88	-18.07
348	-41.39	-29.00	-26.77	-21.25	-30.49	-29.54	-41.90	-24.14	-20.23	-21.23	-19.41
349	-33.02	-27.48	-27.18	-23.48	-27.60	-29.33	-46.78	-28.06	-22.39	-23.95	-21.59
350	-27.01	-26.28	-28.69	-27.61	-25.86	-30.47	-37.68	-29.21	-21.94	-22.14	-22.11
351	-23.80	-25.41	-30.79	-31.74	-24.99	-30.97	-35.56	-27.55	-20.43	-19.48	-20.53
352	-21.73	-24.33	-29.51	-28.98	-24.76	-29.26	-36.10	-26.96	-20.61	-18.63	-19.45
353	-20.29	-22.75	-25.56	-25.51	-25.06	-27.45	-38.91	-27.42	-22.80	-19.33	-19.67
354	-19.23	-20.96	-22.38	-23.81	-25.90	-26.88	-43.91	-28.09	-26.04	-20.77	-21.22

355	-18.45	-19.35	-20.29	-23.25	-27.21	-27.90	-43.65	-28.99	-27.72	-22.20	-23.94
356	-17.89	-18.15	-19.05	-23.19	-28.75	-31.14	-39.54	-30.98	-27.86	-23.90	-26.86
357	-17.53	-17.41	-18.50	-23.68	-30.21	-39.58	-37.22	-33.41	-26.98	-25.94	-27.98
358	-17.36	-17.13	-18.51	-25.35	-31.56	-40.53	-35.73	-31.79	-24.98	-26.43	-27.41
359	-17.41	-17.30	-18.98	-27.77	-32.08	-31.81	-34.15	-28.70	-23.18	-25.05	-26.69

Port 2:

Angle	FREQUENCY										
	2400	2450	2500	5150	5250	5350	5450	5550	5560	5750	5850
	Horizontal										
0	-42.69	-29.98	-28.23	-30.64	-39.64	-30.80	-26.94	-23.97	-23.27	-20.62	-20.00
1	-35.72	-27.10	-26.30	-31.13	-41.33	-30.53	-26.09	-23.15	-22.40	-19.79	-18.85
2	-29.74	-24.67	-24.49	-31.44	-42.17	-30.18	-25.44	-22.51	-21.69	-19.23	-18.12
3	-26.26	-22.75	-22.93	-31.53	-42.08	-29.83	-24.98	-22.05	-21.12	-18.90	-17.72
4	-23.89	-21.23	-21.62	-31.45	-41.76	-29.51	-24.65	-21.73	-20.68	-18.76	-17.59
5	-22.15	-20.02	-20.54	-31.30	-41.90	-29.22	-24.42	-21.52	-20.37	-18.78	-17.68
6	-20.83	-19.06	-19.65	-31.19	-43.03	-28.90	-24.23	-21.41	-20.17	-18.90	-17.93
7	-19.80	-18.31	-18.93	-31.20	-45.48	-28.45	-24.03	-21.36	-20.07	-19.09	-18.27
8	-19.00	-17.73	-18.35	-31.41	-46.28	-27.77	-23.75	-21.35	-20.07	-19.33	-18.67
9	-18.38	-17.29	-17.92	-31.86	-41.11	-26.86	-23.39	-21.37	-20.17	-19.56	-19.07
10	-17.91	-17.00	-17.60	-32.57	-36.10	-25.78	-22.93	-21.41	-20.37	-19.78	-19.48
11	-17.57	-16.83	-17.40	-33.53	-32.33	-24.67	-22.44	-21.48	-20.66	-19.97	-19.93
12	-17.33	-16.77	-17.30	-34.51	-29.45	-23.64	-21.97	-21.57	-21.05	-20.16	-20.48
13	-17.18	-16.81	-17.30	-34.98	-27.20	-22.76	-21.59	-21.70	-21.53	-20.40	-21.21
14	-17.10	-16.94	-17.38	-34.32	-25.43	-22.07	-21.34	-21.86	-22.09	-20.77	-22.23
15	-17.09	-17.17	-17.55	-32.68	-24.05	-21.59	-21.25	-22.06	-22.74	-21.34	-23.64
16	-17.12	-17.46	-17.80	-30.72	-22.98	-21.32	-21.32	-22.28	-23.49	-22.16	-25.50
17	-17.17	-17.82	-18.11	-28.86	-22.18	-21.24	-21.54	-22.53	-24.33	-23.24	-27.56
18	-17.25	-18.23	-18.47	-27.20	-21.60	-21.30	-21.84	-22.82	-25.31	-24.45	-28.54
19	-17.32	-18.66	-18.88	-25.73	-21.18	-21.44	-22.12	-23.16	-26.46	-25.33	-27.16
20	-17.40	-19.09	-19.32	-24.40	-20.86	-21.57	-22.28	-23.59	-27.74	-25.15	-24.77
21	-17.46	-19.49	-19.77	-23.17	-20.58	-21.59	-22.27	-24.14	-28.89	-23.87	-22.62
22	-17.51	-19.83	-20.21	-21.99	-20.29	-21.47	-22.10	-24.84	-29.23	-22.19	-20.96
23	-17.54	-20.10	-20.63	-20.85	-19.95	-21.23	-21.88	-25.63	-28.14	-20.62	-19.75
24	-17.58	-20.28	-21.03	-19.77	-19.56	-20.93	-21.74	-26.32	-26.14	-19.34	-18.91
25	-17.63	-20.39	-21.38	-18.75	-19.15	-20.67	-21.77	-26.47	-24.01	-18.35	-18.35
26	-17.69	-20.44	-21.71	-17.83	-18.76	-20.52	-21.99	-25.75	-22.13	-17.63	-18.02
27	-17.78	-20.46	-22.01	-17.03	-18.45	-20.50	-22.37	-24.34	-20.57	-17.13	-17.83
28	-17.91	-20.48	-22.31	-16.37	-18.24	-20.60	-22.79	-22.71	-19.34	-16.83	-17.72
29	-18.09	-20.52	-22.62	-15.86	-18.16	-20.77	-22.97	-21.19	-18.43	-16.70	-17.64
30	-18.33	-20.62	-22.95	-15.51	-18.22	-20.91	-22.68	-19.92	-17.80	-16.72	-17.58
31	-18.63	-20.77	-23.32	-15.33	-18.39	-20.90	-21.89	-18.94	-17.44	-16.90	-17.57
32	-18.99	-21.00	-23.71	-15.32	-18.65	-20.66	-20.85	-18.24	-17.36	-17.25	-17.67

33	-19.42	-21.29	-24.11	-15.48	-18.95	-20.20	-19.85	-17.83	-17.54	-17.80	-17.94
34	-19.90	-21.65	-24.46	-15.80	-19.23	-19.64	-19.03	-17.71	-18.00	-18.61	-18.46
35	-20.42	-22.04	-24.70	-16.26	-19.40	-19.10	-18.50	-17.88	-18.75	-19.73	-19.32
36	-20.96	-22.42	-24.74	-16.82	-19.46	-18.68	-18.26	-18.35	-19.83	-21.28	-20.60
37	-21.47	-22.73	-24.53	-17.45	-19.42	-18.45	-18.36	-19.15	-21.29	-23.40	-22.36
38	-21.90	-22.91	-24.05	-18.08	-19.33	-18.45	-18.79	-20.32	-23.23	-26.30	-24.61
39	-22.19	-22.88	-23.36	-18.64	-19.27	-18.69	-19.58	-21.95	-25.80	-30.04	-26.83
40	-22.30	-22.63	-22.54	-19.10	-19.30	-19.20	-20.75	-24.16	-29.30	-32.31	-27.44
41	-22.20	-22.17	-21.68	-19.44	-19.48	-19.98	-22.31	-27.20	-33.79	-29.90	-25.98
42	-21.93	-21.55	-20.82	-19.71	-19.82	-21.01	-24.23	-31.46	-35.25	-26.88	-24.08
43	-21.52	-20.86	-20.01	-19.97	-20.33	-22.25	-26.26	-36.30	-31.48	-24.72	-22.55
44	-21.03	-20.14	-19.27	-20.24	-20.98	-23.58	-27.75	-34.70	-28.17	-23.28	-21.47
45	-20.51	-19.44	-18.60	-20.55	-21.69	-24.74	-27.95	-30.76	-25.85	-22.32	-20.74
46	-19.98	-18.78	-18.01	-20.86	-22.35	-25.42	-27.17	-28.10	-24.19	-21.67	-20.25
47	-19.47	-18.18	-17.49	-21.09	-22.78	-25.47	-26.22	-26.34	-22.98	-21.19	-19.91
48	-18.99	-17.64	-17.05	-21.12	-22.87	-25.03	-25.50	-25.12	-22.11	-20.81	-19.66
49	-18.53	-17.15	-16.67	-20.92	-22.63	-24.39	-25.04	-24.23	-21.51	-20.50	-19.51
50	-18.08	-16.72	-16.34	-20.50	-22.20	-23.70	-24.73	-23.54	-21.15	-20.28	-19.51
51	-17.65	-16.33	-16.07	-19.96	-21.71	-23.02	-24.43	-23.01	-21.02	-20.19	-19.73
52	-17.22	-15.97	-15.85	-19.41	-21.25	-22.33	-23.99	-22.61	-21.12	-20.32	-20.25
53	-16.78	-15.65	-15.66	-18.95	-20.87	-21.63	-23.39	-22.38	-21.45	-20.72	-21.16
54	-16.34	-15.35	-15.49	-18.63	-20.54	-20.92	-22.69	-22.36	-22.04	-21.44	-22.56
55	-15.87	-15.06	-15.35	-18.46	-20.24	-20.24	-22.02	-22.59	-22.90	-22.50	-24.49
56	-15.40	-14.79	-15.23	-18.44	-19.92	-19.62	-21.51	-23.16	-24.02	-23.79	-26.67
57	-14.91	-14.52	-15.11	-18.56	-19.55	-19.11	-21.24	-24.17	-25.34	-24.95	-27.73
58	-14.43	-14.25	-15.01	-18.77	-19.13	-18.74	-21.30	-25.76	-26.55	-25.30	-26.46
59	-13.94	-13.99	-14.90	-19.01	-18.68	-18.56	-21.74	-28.14	-27.01	-24.55	-24.32
60	-13.47	-13.73	-14.80	-19.20	-18.24	-18.59	-22.66	-31.35	-26.28	-23.25	-22.52
61	-13.02	-13.48	-14.71	-19.28	-17.86	-18.84	-24.22	-32.85	-24.76	-22.01	-21.28
62	-12.59	-13.24	-14.62	-19.21	-17.58	-19.35	-26.65	-29.60	-23.11	-21.07	-20.57
63	-12.19	-13.02	-14.55	-19.00	-17.43	-20.11	-30.26	-25.93	-21.67	-20.50	-20.34
64	-11.83	-12.82	-14.49	-18.70	-17.44	-21.15	-32.99	-23.16	-20.51	-20.30	-20.55
65	-11.50	-12.65	-14.45	-18.39	-17.62	-22.40	-29.63	-21.14	-19.67	-20.46	-21.21
66	-11.22	-12.51	-14.43	-18.12	-17.96	-23.65	-25.60	-19.67	-19.12	-20.98	-22.37
67	-10.98	-12.40	-14.44	-17.91	-18.45	-24.41	-22.71	-18.64	-18.88	-21.89	-24.11
68	-10.79	-12.33	-14.49	-17.79	-19.03	-24.16	-20.68	-17.99	-18.96	-23.27	-26.61
69	-10.64	-12.29	-14.57	-17.72	-19.59	-23.00	-19.25	-17.68	-19.38	-25.26	-29.76
70	-10.54	-12.30	-14.68	-17.67	-19.92	-21.52	-18.25	-17.69	-20.17	-28.10	-30.95
71	-10.49	-12.36	-14.83	-17.58	-19.85	-20.09	-17.58	-18.02	-21.36	-31.72	-27.76
72	-10.48	-12.45	-15.02	-17.40	-19.30	-18.85	-17.17	-18.63	-22.87	-32.14	-24.13
73	-10.52	-12.59	-15.24	-17.08	-18.41	-17.82	-16.92	-19.44	-24.16	-27.92	-21.23
74	-10.60	-12.78	-15.48	-16.62	-17.37	-16.95	-16.77	-20.20	-24.00	-24.04	-18.95
75	-10.73	-13.00	-15.75	-16.05	-16.34	-16.21	-16.61	-20.47	-22.13	-21.07	-17.13
76	-10.90	-13.27	-16.03	-15.41	-15.40	-15.56	-16.36	-19.87	-19.76	-18.73	-15.67

77	-11.11	-13.56	-16.30	-14.75	-14.57	-14.95	-15.98	-18.56	-17.63	-16.85	-14.50
78	-11.35	-13.89	-16.57	-14.11	-13.86	-14.38	-15.46	-17.03	-15.89	-15.32	-13.58
79	-11.63	-14.23	-16.79	-13.50	-13.24	-13.82	-14.84	-15.57	-14.50	-14.08	-12.91
80	-11.92	-14.57	-16.97	-12.92	-12.70	-13.26	-14.17	-14.32	-13.42	-13.10	-12.46
81	-12.23	-14.90	-17.08	-12.38	-12.22	-12.73	-13.51	-13.30	-12.60	-12.35	-12.22
82	-12.55	-15.18	-17.11	-11.86	-11.77	-12.21	-12.88	-12.47	-11.98	-11.80	-12.16
83	-12.85	-15.41	-17.06	-11.34	-11.34	-11.71	-12.30	-11.82	-11.54	-11.45	-12.25
84	-13.11	-15.56	-16.93	-10.83	-10.90	-11.24	-11.75	-11.31	-11.22	-11.25	-12.44
85	-13.33	-15.60	-16.73	-10.32	-10.47	-10.80	-11.22	-10.89	-10.97	-11.19	-12.64
86	-13.49	-15.55	-16.47	-9.80	-10.02	-10.37	-10.70	-10.53	-10.76	-11.20	-12.73
87	-13.57	-15.39	-16.18	-9.29	-9.58	-9.95	-10.19	-10.19	-10.54	-11.22	-12.61
88	-13.57	-15.15	-15.87	-8.80	-9.14	-9.52	-9.66	-9.84	-10.28	-11.18	-12.25
89	-13.49	-14.85	-15.56	-8.33	-8.72	-9.09	-9.12	-9.48	-9.97	-11.03	-11.68
90	-13.34	-14.50	-15.25	-7.90	-8.30	-8.64	-8.59	-9.09	-9.60	-10.73	-10.99
91	-13.12	-14.13	-14.95	-7.50	-7.90	-8.18	-8.06	-8.69	-9.20	-10.31	-10.28
92	-12.86	-13.75	-14.68	-7.14	-7.51	-7.71	-7.55	-8.28	-8.78	-9.81	-9.60
93	-12.57	-13.38	-14.42	-6.82	-7.13	-7.24	-7.07	-7.88	-8.37	-9.29	-8.98
94	-12.26	-13.03	-14.19	-6.53	-6.77	-6.76	-6.62	-7.49	-7.98	-8.77	-8.44
95	-11.95	-12.70	-13.97	-6.26	-6.40	-6.29	-6.20	-7.12	-7.61	-8.29	-7.96
96	-11.64	-12.39	-13.77	-6.01	-6.04	-5.84	-5.83	-6.77	-7.27	-7.86	-7.54
97	-11.34	-12.10	-13.58	-5.77	-5.68	-5.41	-5.48	-6.44	-6.96	-7.49	-7.15
98	-11.05	-11.84	-13.40	-5.52	-5.32	-5.00	-5.17	-6.13	-6.68	-7.16	-6.79
99	-10.77	-11.59	-13.21	-5.27	-4.97	-4.62	-4.88	-5.84	-6.42	-6.87	-6.44
100	-10.51	-11.35	-13.00	-5.01	-4.62	-4.26	-4.62	-5.56	-6.17	-6.60	-6.09
101	-10.25	-11.12	-12.77	-4.74	-4.29	-3.93	-4.37	-5.29	-5.95	-6.36	-5.75
102	-10.00	-10.90	-12.51	-4.46	-3.97	-3.63	-4.13	-5.04	-5.74	-6.13	-5.41
103	-9.75	-10.66	-12.21	-4.17	-3.67	-3.36	-3.90	-4.79	-5.54	-5.90	-5.09
104	-9.50	-10.41	-11.86	-3.89	-3.39	-3.12	-3.68	-4.56	-5.36	-5.66	-4.79
105	-9.24	-10.14	-11.47	-3.62	-3.14	-2.90	-3.47	-4.35	-5.20	-5.43	-4.52
106	-8.98	-9.84	-11.03	-3.37	-2.92	-2.70	-3.27	-4.17	-5.06	-5.20	-4.29
107	-8.70	-9.52	-10.55	-3.14	-2.73	-2.53	-3.09	-4.01	-4.94	-4.98	-4.09
108	-8.40	-9.16	-10.04	-2.95	-2.57	-2.39	-2.93	-3.88	-4.84	-4.78	-3.94
109	-8.08	-8.77	-9.51	-2.79	-2.44	-2.26	-2.79	-3.79	-4.77	-4.60	-3.83
110	-7.74	-8.35	-8.96	-2.68	-2.35	-2.15	-2.67	-3.73	-4.71	-4.46	-3.75
111	-7.38	-7.91	-8.41	-2.60	-2.30	-2.07	-2.59	-3.71	-4.68	-4.35	-3.71
112	-7.00	-7.45	-7.85	-2.58	-2.27	-2.01	-2.53	-3.72	-4.67	-4.29	-3.70
113	-6.60	-6.97	-7.30	-2.59	-2.27	-1.97	-2.51	-3.76	-4.68	-4.28	-3.70
114	-6.18	-6.47	-6.75	-2.65	-2.30	-1.95	-2.52	-3.83	-4.71	-4.32	-3.72
115	-5.76	-5.98	-6.22	-2.75	-2.35	-1.95	-2.56	-3.94	-4.76	-4.41	-3.76
116	-5.32	-5.48	-5.70	-2.89	-2.43	-1.99	-2.63	-4.06	-4.83	-4.55	-3.81
117	-4.88	-4.98	-5.19	-3.06	-2.53	-2.05	-2.73	-4.20	-4.93	-4.74	-3.87
118	-4.43	-4.49	-4.70	-3.26	-2.66	-2.14	-2.85	-4.35	-5.05	-4.99	-3.95
119	-3.99	-4.01	-4.23	-3.48	-2.80	-2.27	-3.00	-4.51	-5.21	-5.30	-4.04
120	-3.55	-3.54	-3.77	-3.72	-2.97	-2.43	-3.18	-4.68	-5.41	-5.66	-4.16

121	-3.12	-3.09	-3.34	-3.98	-3.15	-2.63	-3.37	-4.86	-5.65	-6.07	-4.30
122	-2.70	-2.65	-2.92	-4.24	-3.36	-2.86	-3.59	-5.04	-5.93	-6.53	-4.47
123	-2.28	-2.22	-2.52	-4.50	-3.59	-3.14	-3.83	-5.23	-6.24	-7.03	-4.66
124	-1.88	-1.81	-2.13	-4.77	-3.84	-3.45	-4.10	-5.44	-6.60	-7.58	-4.87
125	-1.50	-1.42	-1.77	-5.03	-4.11	-3.80	-4.39	-5.66	-6.98	-8.17	-5.10
126	-1.12	-1.05	-1.42	-5.28	-4.41	-4.18	-4.72	-5.91	-7.39	-8.80	-5.34
127	-0.76	-0.69	-1.09	-5.52	-4.71	-4.58	-5.07	-6.18	-7.81	-9.46	-5.59
128	-0.42	-0.36	-0.78	-5.75	-5.03	-5.01	-5.46	-6.50	-8.22	-10.16	-5.82
129	-0.10	-0.04	-0.49	-5.96	-5.36	-5.44	-5.87	-6.85	-8.63	-10.88	-6.05
130	0.21	0.26	-0.21	-6.17	-5.69	-5.87	-6.31	-7.25	-9.02	-11.62	-6.28
131	0.51	0.54	0.05	-6.37	-6.01	-6.29	-6.77	-7.70	-9.40	-12.40	-6.52
132	0.78	0.80	0.29	-6.56	-6.32	-6.69	-7.24	-8.20	-9.76	-13.20	-6.78
133	1.05	1.04	0.51	-6.74	-6.61	-7.06	-7.70	-8.74	-10.11	-14.06	-7.08
134	1.29	1.27	0.72	-6.92	-6.87	-7.38	-8.14	-9.32	-10.45	-14.97	-7.46
135	1.52	1.48	0.92	-7.10	-7.09	-7.65	-8.54	-9.92	-10.79	-15.95	-7.94
136	1.74	1.67	1.10	-7.28	-7.28	-7.86	-8.87	-10.51	-11.12	-17.02	-8.55
137	1.94	1.85	1.27	-7.46	-7.42	-8.01	-9.12	-11.06	-11.44	-18.13	-9.33
138	2.13	2.02	1.43	-7.65	-7.51	-8.08	-9.27	-11.51	-11.71	-19.14	-10.33
139	2.31	2.17	1.57	-7.84	-7.56	-8.08	-9.32	-11.80	-11.88	-19.71	-11.60
140	2.48	2.31	1.71	-8.03	-7.56	-8.00	-9.27	-11.91	-11.88	-19.41	-13.24
141	2.63	2.44	1.84	-8.20	-7.52	-7.85	-9.13	-11.80	-11.66	-18.17	-15.41
142	2.78	2.56	1.96	-8.37	-7.45	-7.63	-8.91	-11.50	-11.20	-16.40	-18.45
143	2.92	2.68	2.08	-8.50	-7.35	-7.36	-8.62	-11.04	-10.54	-14.53	-23.19
144	3.05	2.78	2.19	-8.59	-7.23	-7.05	-8.27	-10.48	-9.77	-12.76	-30.55
145	3.18	2.89	2.31	-8.61	-7.10	-6.71	-7.86	-9.86	-8.96	-11.16	-25.44
146	3.30	2.99	2.42	-8.55	-6.96	-6.36	-7.41	-9.22	-8.19	-9.74	-19.67
147	3.42	3.08	2.53	-8.39	-6.80	-6.01	-6.93	-8.58	-7.51	-8.51	-16.12
148	3.53	3.18	2.64	-8.11	-6.62	-5.67	-6.43	-7.95	-6.91	-7.45	-13.63
149	3.64	3.28	2.76	-7.71	-6.40	-5.35	-5.93	-7.32	-6.40	-6.55	-11.76
150	3.74	3.37	2.87	-7.20	-6.14	-5.05	-5.44	-6.70	-5.97	-5.79	-10.30
151	3.85	3.47	3.00	-6.58	-5.80	-4.75	-4.96	-6.08	-5.59	-5.17	-9.13
152	3.95	3.58	3.12	-5.89	-5.37	-4.44	-4.50	-5.47	-5.24	-4.65	-8.18
153	4.05	3.68	3.25	-5.14	-4.85	-4.11	-4.07	-4.87	-4.87	-4.22	-7.39
154	4.15	3.79	3.38	-4.36	-4.24	-3.74	-3.64	-4.28	-4.49	-3.86	-6.73
155	4.25	3.90	3.52	-3.57	-3.57	-3.31	-3.23	-3.71	-4.06	-3.54	-6.16
156	4.35	4.02	3.66	-2.80	-2.86	-2.83	-2.80	-3.16	-3.61	-3.23	-5.65
157	4.44	4.13	3.80	-2.06	-2.13	-2.30	-2.36	-2.64	-3.12	-2.92	-5.17
158	4.54	4.25	3.94	-1.36	-1.42	-1.74	-1.90	-2.14	-2.62	-2.58	-4.69
159	4.63	4.37	4.09	-0.71	-0.74	-1.16	-1.40	-1.65	-2.11	-2.20	-4.20
160	4.72	4.48	4.23	-0.11	-0.11	-0.58	-0.88	-1.18	-1.61	-1.78	-3.68
161	4.80	4.60	4.37	0.43	0.47	-0.01	-0.35	-0.72	-1.13	-1.34	-3.12
162	4.88	4.71	4.50	0.91	0.98	0.52	0.18	-0.27	-0.65	-0.86	-2.53
163	4.96	4.82	4.63	1.34	1.44	1.01	0.70	0.18	-0.18	-0.38	-1.92
164	5.03	4.93	4.75	1.72	1.84	1.45	1.20	0.62	0.27	0.10	-1.29



165	5.10	5.02	4.87	2.06	2.18	1.85	1.65	1.05	0.72	0.57	-0.66
166	5.16	5.12	4.97	2.35	2.48	2.20	2.06	1.46	1.16	1.02	-0.05
167	5.21	5.20	5.07	2.60	2.73	2.50	2.43	1.85	1.59	1.44	0.53
168	5.26	5.28	5.15	2.83	2.94	2.76	2.74	2.21	2.00	1.84	1.08
169	5.31	5.35	5.23	3.03	3.13	2.98	3.00	2.53	2.39	2.21	1.58
170	5.34	5.40	5.29	3.22	3.30	3.17	3.22	2.82	2.75	2.55	2.04
171	5.37	5.45	5.34	3.39	3.46	3.33	3.39	3.07	3.07	2.85	2.45
172	5.40	5.49	5.38	3.56	3.60	3.48	3.53	3.27	3.35	3.12	2.80
173	5.41	5.52	5.40	3.71	3.75	3.61	3.65	3.43	3.58	3.36	3.10
174	5.42	5.54	5.42	3.86	3.89	3.74	3.74	3.54	3.75	3.55	3.36
175	5.43	5.55	5.42	3.99	4.03	3.86	3.83	3.62	3.87	3.70	3.56
176	5.43	5.55	5.41	4.12	4.16	3.97	3.91	3.67	3.95	3.81	3.71
177	5.43	5.54	5.39	4.23	4.28	4.08	3.99	3.70	3.97	3.87	3.82
178	5.42	5.52	5.36	4.32	4.39	4.19	4.07	3.71	3.95	3.89	3.88
179	5.41	5.50	5.32	4.39	4.49	4.28	4.14	3.70	3.90	3.86	3.90
180	5.39	5.47	5.27	4.43	4.55	4.35	4.21	3.69	3.82	3.80	3.87
181	5.37	5.43	5.22	4.45	4.59	4.41	4.27	3.68	3.72	3.69	3.81
182	5.36	5.40	5.16	4.44	4.60	4.44	4.31	3.65	3.61	3.56	3.70
183	5.34	5.35	5.10	4.40	4.58	4.44	4.32	3.61	3.48	3.41	3.56
184	5.32	5.31	5.03	4.34	4.52	4.40	4.29	3.55	3.35	3.24	3.39
185	5.29	5.26	4.97	4.25	4.43	4.34	4.23	3.46	3.20	3.05	3.19
186	5.27	5.21	4.90	4.14	4.30	4.24	4.13	3.34	3.04	2.85	2.96
187	5.25	5.16	4.83	4.02	4.16	4.11	3.99	3.19	2.85	2.64	2.70
188	5.23	5.11	4.76	3.88	3.99	3.95	3.81	2.99	2.63	2.42	2.42
189	5.20	5.07	4.70	3.73	3.80	3.76	3.60	2.75	2.38	2.17	2.11
190	5.18	5.02	4.64	3.57	3.61	3.56	3.36	2.47	2.09	1.90	1.78
191	5.15	4.97	4.58	3.40	3.40	3.33	3.10	2.16	1.76	1.58	1.44
192	5.12	4.92	4.52	3.22	3.20	3.10	2.82	1.82	1.38	1.22	1.08
193	5.09	4.87	4.47	3.03	2.99	2.86	2.53	1.47	0.97	0.82	0.71
194	5.05	4.83	4.41	2.83	2.78	2.62	2.24	1.10	0.53	0.35	0.33
195	5.01	4.78	4.36	2.61	2.56	2.37	1.94	0.73	0.06	-0.18	-0.07
196	4.96	4.72	4.31	2.36	2.33	2.11	1.63	0.37	-0.42	-0.77	-0.49
197	4.91	4.67	4.26	2.09	2.08	1.83	1.31	0.01	-0.91	-1.42	-0.93
198	4.86	4.61	4.21	1.79	1.81	1.54	0.98	-0.35	-1.39	-2.14	-1.40
199	4.79	4.55	4.16	1.46	1.52	1.23	0.63	-0.72	-1.87	-2.91	-1.92
200	4.72	4.49	4.10	1.09	1.18	0.88	0.25	-1.11	-2.34	-3.73	-2.49
201	4.65	4.42	4.04	0.68	0.81	0.49	-0.16	-1.52	-2.80	-4.59	-3.13
202	4.56	4.35	3.98	0.22	0.39	0.05	-0.62	-1.97	-3.28	-5.48	-3.84
203	4.47	4.27	3.92	-0.27	-0.08	-0.44	-1.13	-2.47	-3.78	-6.37	-4.62
204	4.38	4.19	3.84	-0.81	-0.61	-0.99	-1.70	-3.03	-4.32	-7.26	-5.47
205	4.27	4.10	3.77	-1.40	-1.20	-1.62	-2.32	-3.65	-4.90	-8.12	-6.39
206	4.16	4.00	3.68	-2.03	-1.84	-2.31	-3.02	-4.35	-5.55	-8.94	-7.36
207	4.04	3.90	3.59	-2.71	-2.56	-3.08	-3.78	-5.11	-6.26	-9.71	-8.34
208	3.92	3.79	3.49	-3.43	-3.33	-3.92	-4.60	-5.93	-7.03	-10.41	-9.28

209	3.79	3.68	3.39	-4.21	-4.17	-4.82	-5.48	-6.80	-7.84	-11.01	-10.12
210	3.66	3.56	3.27	-5.02	-5.06	-5.78	-6.40	-7.70	-8.67	-11.47	-10.78
211	3.52	3.43	3.15	-5.86	-5.99	-6.74	-7.32	-8.56	-9.46	-11.73	-11.18
212	3.38	3.30	3.02	-6.71	-6.93	-7.67	-8.20	-9.33	-10.12	-11.77	-11.27
213	3.23	3.16	2.89	-7.54	-7.82	-8.49	-8.95	-9.91	-10.59	-11.55	-11.04
214	3.09	3.02	2.74	-8.30	-8.60	-9.12	-9.51	-10.23	-10.79	-11.14	-10.53
215	2.94	2.87	2.59	-8.93	-9.18	-9.48	-9.81	-10.26	-10.73	-10.58	-9.84
216	2.79	2.72	2.43	-9.36	-9.48	-9.55	-9.86	-10.04	-10.46	-9.97	-9.07
217	2.64	2.56	2.27	-9.56	-9.48	-9.38	-9.68	-9.65	-10.04	-9.35	-8.29
218	2.49	2.40	2.09	-9.53	-9.23	-9.04	-9.36	-9.17	-9.57	-8.79	-7.59
219	2.34	2.23	1.91	-9.32	-8.80	-8.60	-8.95	-8.67	-9.08	-8.30	-6.98
220	2.18	2.06	1.72	-8.98	-8.29	-8.14	-8.52	-8.19	-8.60	-7.90	-6.50
221	2.03	1.89	1.53	-8.57	-7.76	-7.68	-8.09	-7.75	-8.16	-7.57	-6.15
222	1.88	1.72	1.33	-8.15	-7.25	-7.26	-7.69	-7.36	-7.77	-7.32	-5.93
223	1.73	1.54	1.12	-7.74	-6.80	-6.87	-7.32	-7.02	-7.41	-7.12	-5.83
224	1.57	1.35	0.91	-7.35	-6.40	-6.54	-6.99	-6.73	-7.11	-6.96	-5.84
225	1.42	1.17	0.70	-7.00	-6.06	-6.26	-6.70	-6.50	-6.84	-6.81	-5.91
226	1.26	0.98	0.47	-6.68	-5.78	-6.02	-6.45	-6.30	-6.63	-6.67	-6.03
227	1.10	0.79	0.25	-6.40	-5.55	-5.82	-6.24	-6.14	-6.45	-6.53	-6.17
228	0.94	0.59	0.02	-6.15	-5.38	-5.65	-6.06	-6.01	-6.32	-6.40	-6.29
229	0.77	0.39	-0.22	-5.93	-5.24	-5.51	-5.91	-5.92	-6.22	-6.28	-6.37
230	0.59	0.19	-0.46	-5.72	-5.12	-5.39	-5.78	-5.84	-6.15	-6.19	-6.42
231	0.41	-0.02	-0.71	-5.53	-5.03	-5.28	-5.67	-5.78	-6.10	-6.15	-6.43
232	0.22	-0.23	-0.96	-5.34	-4.94	-5.17	-5.56	-5.73	-6.05	-6.15	-6.43
233	0.02	-0.45	-1.21	-5.16	-4.85	-5.05	-5.45	-5.69	-5.99	-6.18	-6.43
234	-0.19	-0.68	-1.47	-4.98	-4.75	-4.92	-5.33	-5.65	-5.92	-6.24	-6.45
235	-0.41	-0.91	-1.74	-4.81	-4.63	-4.78	-5.20	-5.60	-5.81	-6.29	-6.48
236	-0.63	-1.15	-2.00	-4.65	-4.50	-4.63	-5.05	-5.54	-5.67	-6.29	-6.52
237	-0.88	-1.39	-2.27	-4.49	-4.36	-4.46	-4.88	-5.46	-5.51	-6.23	-6.55
238	-1.13	-1.65	-2.55	-4.34	-4.20	-4.29	-4.70	-5.37	-5.32	-6.07	-6.54
239	-1.40	-1.91	-2.83	-4.20	-4.04	-4.12	-4.52	-5.27	-5.12	-5.83	-6.47
240	-1.68	-2.18	-3.11	-4.08	-3.88	-3.95	-4.34	-5.16	-4.92	-5.52	-6.32
241	-1.97	-2.46	-3.40	-3.97	-3.72	-3.80	-4.18	-5.05	-4.74	-5.17	-6.10
242	-2.28	-2.75	-3.69	-3.88	-3.58	-3.66	-4.04	-4.95	-4.59	-4.83	-5.81
243	-2.60	-3.04	-3.98	-3.81	-3.45	-3.55	-3.92	-4.86	-4.47	-4.53	-5.50
244	-2.93	-3.35	-4.28	-3.76	-3.35	-3.46	-3.83	-4.79	-4.39	-4.29	-5.20
245	-3.27	-3.67	-4.58	-3.73	-3.27	-3.40	-3.77	-4.73	-4.34	-4.13	-4.93
246	-3.63	-3.99	-4.89	-3.71	-3.22	-3.36	-3.74	-4.69	-4.32	-4.05	-4.71
247	-3.99	-4.32	-5.20	-3.70	-3.19	-3.35	-3.73	-4.66	-4.32	-4.04	-4.57
248	-4.36	-4.67	-5.52	-3.71	-3.18	-3.35	-3.73	-4.66	-4.34	-4.10	-4.49
249	-4.74	-5.02	-5.85	-3.72	-3.20	-3.36	-3.75	-4.66	-4.36	-4.21	-4.48
250	-5.11	-5.37	-6.18	-3.75	-3.24	-3.39	-3.78	-4.67	-4.39	-4.35	-4.53
251	-5.49	-5.73	-6.51	-3.78	-3.30	-3.43	-3.82	-4.69	-4.42	-4.49	-4.62
252	-5.87	-6.10	-6.86	-3.83	-3.37	-3.48	-3.87	-4.73	-4.45	-4.62	-4.74

253	-6.23	-6.46	-7.20	-3.90	-3.47	-3.55	-3.92	-4.77	-4.49	-4.72	-4.89
254	-6.59	-6.83	-7.56	-3.98	-3.59	-3.62	-3.98	-4.83	-4.54	-4.81	-5.04
255	-6.94	-7.19	-7.92	-4.08	-3.73	-3.72	-4.06	-4.91	-4.61	-4.88	-5.19
256	-7.26	-7.54	-8.28	-4.21	-3.90	-3.84	-4.17	-5.01	-4.72	-4.96	-5.35
257	-7.57	-7.88	-8.64	-4.37	-4.09	-3.98	-4.30	-5.14	-4.86	-5.06	-5.52
258	-7.86	-8.21	-9.00	-4.57	-4.32	-4.17	-4.46	-5.31	-5.04	-5.21	-5.71
259	-8.12	-8.52	-9.36	-4.80	-4.57	-4.39	-4.67	-5.52	-5.27	-5.41	-5.94
260	-8.36	-8.81	-9.71	-5.06	-4.87	-4.67	-4.93	-5.77	-5.54	-5.68	-6.22
261	-8.57	-9.07	-10.05	-5.36	-5.19	-4.99	-5.23	-6.07	-5.85	-6.01	-6.55
262	-8.76	-9.31	-10.37	-5.68	-5.55	-5.37	-5.59	-6.41	-6.19	-6.41	-6.94
263	-8.94	-9.52	-10.67	-6.02	-5.92	-5.79	-5.99	-6.79	-6.55	-6.87	-7.38
264	-9.10	-9.70	-10.95	-6.37	-6.30	-6.26	-6.44	-7.21	-6.92	-7.34	-7.85
265	-9.25	-9.86	-11.20	-6.71	-6.67	-6.74	-6.93	-7.65	-7.29	-7.80	-8.33
266	-9.40	-9.99	-11.43	-7.02	-7.01	-7.22	-7.43	-8.10	-7.66	-8.22	-8.78
267	-9.54	-10.11	-11.63	-7.30	-7.29	-7.65	-7.93	-8.56	-8.02	-8.57	-9.17
268	-9.69	-10.22	-11.80	-7.54	-7.50	-8.00	-8.40	-8.99	-8.39	-8.85	-9.50
269	-9.85	-10.32	-11.94	-7.74	-7.64	-8.25	-8.80	-9.40	-8.78	-9.11	-9.77
270	-10.02	-10.42	-12.07	-7.92	-7.73	-8.40	-9.13	-9.77	-9.20	-9.38	-10.02
271	-10.21	-10.53	-12.19	-8.10	-7.79	-8.45	-9.36	-10.09	-9.67	-9.72	-10.32
272	-10.43	-10.64	-12.30	-8.30	-7.86	-8.46	-9.51	-10.37	-10.19	-10.16	-10.70
273	-10.67	-10.78	-12.40	-8.57	-7.97	-8.45	-9.59	-10.60	-10.74	-10.73	-11.21
274	-10.95	-10.93	-12.52	-8.91	-8.16	-8.48	-9.63	-10.78	-11.28	-11.41	-11.88
275	-11.26	-11.12	-12.64	-9.35	-8.44	-8.58	-9.66	-10.93	-11.77	-12.17	-12.70
276	-11.61	-11.33	-12.79	-9.91	-8.83	-8.77	-9.71	-11.04	-12.15	-12.92	-13.63
277	-12.00	-11.58	-12.96	-10.60	-9.36	-9.07	-9.81	-11.13	-12.38	-13.53	-14.58
278	-12.43	-11.86	-13.15	-11.43	-10.03	-9.49	-9.97	-11.23	-12.47	-13.89	-15.36
279	-12.90	-12.19	-13.39	-12.40	-10.85	-10.04	-10.21	-11.35	-12.47	-13.97	-15.81
280	-13.41	-12.55	-13.65	-13.50	-11.83	-10.72	-10.54	-11.50	-12.43	-13.84	-15.84
281	-13.96	-12.97	-13.97	-14.70	-12.98	-11.55	-10.98	-11.72	-12.42	-13.61	-15.55
282	-14.55	-13.42	-14.32	-15.94	-14.29	-12.51	-11.53	-12.01	-12.48	-13.40	-15.12
283	-15.16	-13.92	-14.73	-17.11	-15.74	-13.62	-12.20	-12.40	-12.66	-13.30	-14.71
284	-15.77	-14.47	-15.19	-18.07	-17.31	-14.88	-13.01	-12.90	-12.96	-13.33	-14.41
285	-16.37	-15.05	-15.70	-18.71	-18.87	-16.28	-13.97	-13.52	-13.42	-13.54	-14.28
286	-16.93	-15.66	-16.27	-19.02	-20.27	-17.78	-15.11	-14.28	-14.03	-13.95	-14.36
287	-17.40	-16.28	-16.88	-19.09	-21.26	-19.34	-16.44	-15.19	-14.82	-14.56	-14.65
288	-17.76	-16.88	-17.53	-19.05	-21.69	-20.79	-17.98	-16.28	-15.79	-15.41	-15.18
289	-17.98	-17.44	-18.21	-19.03	-21.65	-21.92	-19.72	-17.55	-16.96	-16.50	-15.99
290	-18.05	-17.91	-18.88	-19.09	-21.35	-22.51	-21.59	-19.02	-18.33	-17.87	-17.10
291	-18.00	-18.25	-19.48	-19.26	-21.01	-22.56	-23.34	-20.68	-19.87	-19.51	-18.58
292	-17.85	-18.44	-19.97	-19.54	-20.72	-22.25	-24.46	-22.47	-21.51	-21.38	-20.52
293	-17.63	-18.46	-20.27	-19.91	-20.55	-21.82	-24.58	-24.20	-23.08	-23.35	-23.08
294	-17.39	-18.33	-20.34	-20.30	-20.48	-21.42	-23.98	-25.53	-24.35	-25.16	-26.56
295	-17.15	-18.09	-20.17	-20.62	-20.49	-21.13	-23.20	-26.14	-25.13	-26.52	-31.73
296	-16.94	-17.78	-19.81	-20.76	-20.53	-20.97	-22.56	-26.07	-25.43	-27.35	-41.02

297	-16.78	-17.45	-19.33	-20.63	-20.56	-20.93	-22.18	-25.67	-25.37	-27.80	-39.05
298	-16.67	-17.12	-18.78	-20.25	-20.52	-21.00	-22.07	-25.27	-25.09	-27.91	-32.76
299	-16.63	-16.82	-18.23	-19.70	-20.39	-21.15	-22.23	-25.00	-24.66	-27.47	-29.50
300	-16.67	-16.57	-17.72	-19.13	-20.18	-21.33	-22.60	-24.92	-24.13	-26.38	-27.33
301	-16.79	-16.39	-17.26	-18.62	-19.91	-21.49	-23.11	-25.02	-23.58	-24.89	-25.60
302	-16.99	-16.28	-16.88	-18.25	-19.63	-21.60	-23.64	-25.30	-23.13	-23.42	-24.10
303	-17.30	-16.26	-16.58	-18.07	-19.37	-21.59	-24.04	-25.73	-22.88	-22.20	-22.77
304	-17.71	-16.32	-16.37	-18.08	-19.18	-21.46	-24.14	-26.25	-22.92	-21.35	-21.65
305	-18.24	-16.47	-16.25	-18.32	-19.06	-21.22	-23.91	-26.70	-23.32	-20.90	-20.76
306	-18.91	-16.73	-16.23	-18.78	-19.04	-20.92	-23.42	-26.85	-24.08	-20.86	-20.14
307	-19.73	-17.09	-16.30	-19.47	-19.13	-20.64	-22.84	-26.50	-25.16	-21.24	-19.78
308	-20.74	-17.58	-16.49	-20.38	-19.35	-20.45	-22.31	-25.70	-26.28	-22.03	-19.68
309	-21.96	-18.21	-16.78	-21.50	-19.73	-20.42	-21.93	-24.71	-26.88	-23.24	-19.85
310	-23.46	-18.99	-17.19	-22.75	-20.30	-20.62	-21.78	-23.82	-26.52	-24.79	-20.27
311	-25.27	-19.94	-17.73	-24.00	-21.07	-21.10	-21.91	-23.19	-25.57	-26.46	-20.93
312	-27.38	-21.09	-18.39	-24.96	-22.06	-21.93	-22.41	-22.97	-24.65	-27.71	-21.82
313	-29.47	-22.45	-19.19	-25.33	-23.21	-23.18	-23.35	-23.23	-24.13	-28.05	-22.92
314	-30.37	-24.01	-20.11	-24.97	-24.29	-24.86	-24.89	-24.13	-24.18	-27.74	-24.24
315	-29.20	-25.62	-21.12	-24.09	-24.83	-26.77	-27.24	-25.92	-24.91	-27.39	-25.77
316	-27.06	-26.87	-22.15	-23.00	-24.41	-27.85	-30.44	-29.25	-26.44	-27.40	-27.52
317	-24.99	-27.08	-23.03	-21.87	-23.23	-26.83	-32.10	-36.55	-28.74	-27.86	-29.44
318	-23.23	-26.10	-23.50	-20.82	-21.82	-24.64	-28.98	-39.57	-30.44	-28.58	-31.09
319	-21.79	-24.55	-23.38	-19.88	-20.56	-22.55	-25.37	-29.39	-28.57	-28.90	-31.39
320	-20.62	-22.98	-22.71	-19.08	-19.57	-20.91	-22.69	-24.72	-25.23	-27.98	-29.86
321	-19.67	-21.57	-21.72	-18.42	-18.88	-19.72	-20.78	-21.86	-22.50	-26.06	-27.62
322	-18.90	-20.39	-20.66	-17.91	-18.49	-18.93	-19.46	-19.98	-20.51	-23.99	-25.52
323	-18.29	-19.41	-19.64	-17.54	-18.38	-18.50	-18.60	-18.75	-19.13	-22.21	-23.77
324	-17.82	-18.62	-18.74	-17.33	-18.54	-18.37	-18.12	-18.02	-18.24	-20.82	-22.38
325	-17.46	-17.99	-17.97	-17.25	-18.93	-18.52	-17.97	-17.70	-17.74	-19.80	-21.31
326	-17.22	-17.51	-17.33	-17.30	-19.50	-18.90	-18.10	-17.73	-17.59	-19.11	-20.49
327	-17.08	-17.15	-16.81	-17.48	-20.15	-19.44	-18.45	-18.05	-17.72	-18.69	-19.89
328	-17.03	-16.92	-16.42	-17.75	-20.76	-20.04	-18.92	-18.59	-18.06	-18.49	-19.43
329	-17.06	-16.80	-16.15	-18.12	-21.17	-20.55	-19.39	-19.21	-18.53	-18.46	-19.08
330	-17.16	-16.78	-15.98	-18.58	-21.30	-20.85	-19.69	-19.74	-18.99	-18.50	-18.80
331	-17.31	-16.84	-15.92	-19.11	-21.17	-20.86	-19.71	-19.96	-19.29	-18.57	-18.56
332	-17.50	-16.99	-15.95	-19.74	-20.94	-20.65	-19.47	-19.80	-19.34	-18.61	-18.36
333	-17.70	-17.20	-16.07	-20.49	-20.76	-20.36	-19.08	-19.38	-19.16	-18.61	-18.23
334	-17.88	-17.47	-16.27	-21.39	-20.74	-20.13	-18.71	-18.90	-18.84	-18.60	-18.21
335	-18.03	-17.76	-16.56	-22.49	-20.95	-20.06	-18.46	-18.53	-18.54	-18.65	-18.34
336	-18.11	-18.05	-16.91	-23.85	-21.44	-20.20	-18.43	-18.37	-18.37	-18.83	-18.67
337	-18.10	-18.32	-17.32	-25.55	-22.24	-20.61	-18.64	-18.48	-18.40	-19.21	-19.24
338	-18.01	-18.54	-17.78	-27.65	-23.41	-21.29	-19.15	-18.90	-18.67	-19.84	-20.10
339	-17.83	-18.69	-18.25	-30.15	-24.99	-22.29	-19.97	-19.67	-19.23	-20.79	-21.32
340	-17.59	-18.75	-18.73	-32.63	-26.99	-23.61	-21.14	-20.83	-20.08	-22.09	-23.00

341	-17.33	-18.73	-19.19	-33.70	-29.33	-25.24	-22.69	-22.40	-21.24	-23.78	-25.29
342	-17.05	-18.64	-19.59	-32.72	-31.41	-27.03	-24.63	-24.36	-22.67	-25.83	-28.46
343	-16.80	-18.51	-19.94	-31.14	-31.91	-28.50	-26.73	-26.41	-24.22	-27.90	-32.73
344	-16.59	-18.38	-20.21	-29.86	-30.74	-28.93	-28.22	-27.58	-25.46	-29.07	-35.30
345	-16.44	-18.28	-20.42	-29.06	-29.19	-28.24	-28.11	-27.03	-25.87	-28.66	-32.00
346	-16.36	-18.22	-20.60	-28.67	-27.93	-27.12	-26.84	-25.56	-25.40	-27.43	-28.57
347	-16.37	-18.25	-20.77	-28.61	-27.08	-26.11	-25.46	-24.16	-24.57	-26.27	-26.27
348	-16.48	-18.36	-20.97	-28.78	-26.60	-25.39	-24.42	-23.17	-23.84	-25.50	-24.80
349	-16.70	-18.59	-21.23	-29.03	-26.46	-25.00	-23.82	-22.61	-23.39	-25.18	-23.97
350	-17.03	-18.95	-21.58	-29.24	-26.61	-24.92	-23.63	-22.45	-23.28	-25.33	-23.71
351	-17.51	-19.46	-22.06	-29.30	-27.02	-25.14	-23.83	-22.67	-23.52	-25.96	-24.02
352	-18.13	-20.15	-22.69	-29.20	-27.66	-25.61	-24.41	-23.22	-24.06	-27.07	-25.01
353	-18.94	-21.06	-23.51	-29.00	-28.53	-26.31	-25.34	-24.07	-24.86	-28.58	-26.89
354	-19.97	-22.24	-24.55	-28.83	-29.59	-27.19	-26.57	-25.11	-25.76	-29.87	-30.10
355	-21.28	-23.75	-25.85	-28.76	-30.85	-28.18	-27.93	-26.10	-26.49	-29.61	-34.63
356	-22.97	-25.70	-27.39	-28.84	-32.29	-29.18	-29.04	-26.70	-26.70	-27.65	-32.92
357	-25.21	-28.18	-28.99	-29.11	-33.91	-30.04	-29.40	-26.61	-26.24	-25.34	-27.73
358	-28.38	-30.93	-30.06	-29.53	-35.70	-30.62	-28.89	-25.90	-25.33	-23.35	-24.14
359	-33.46	-32.05	-29.77	-30.07	-37.65	-30.87	-27.93	-24.92	-24.28	-21.79	-21.70

Vertical

0	-42.69	-29.98	-28.23	-30.64	-39.64	-30.80	-26.94	-23.97	-23.27	-20.62	-20.00
1	-30.49	-25.44	-24.58	-32.92	-41.83	-29.24	-26.25	-24.39	-23.95	-22.97	-21.78
2	-25.34	-22.92	-22.53	-34.81	-39.26	-29.23	-27.38	-26.73	-26.12	-28.33	-25.42
3	-22.52	-21.59	-21.67	-35.19	-36.77	-30.70	-30.46	-31.84	-30.56	-41.11	-29.57
4	-20.83	-21.09	-21.81	-35.88	-33.82	-33.15	-34.68	-34.74	-35.65	-31.13	-27.77
5	-19.82	-21.19	-22.84	-34.30	-30.86	-33.34	-32.93	-28.80	-30.80	-27.34	-25.28
6	-19.28	-21.69	-24.62	-29.33	-28.64	-30.53	-29.24	-25.53	-27.14	-26.71	-24.73
7	-19.11	-22.41	-26.86	-25.66	-27.39	-28.28	-27.25	-24.30	-25.74	-27.63	-25.65
8	-19.27	-23.16	-28.69	-23.90	-27.24	-27.38	-26.69	-24.59	-26.00	-29.63	-26.85
9	-19.62	-23.68	-28.64	-23.99	-28.42	-27.94	-27.42	-26.41	-27.89	-33.45	-26.64
10	-19.87	-23.65	-26.85	-26.27	-31.52	-30.38	-29.81	-30.33	-31.98	-40.00	-25.80
11	-19.68	-23.00	-24.78	-32.53	-37.77	-36.34	-35.40	-36.85	-37.14	-35.66	-26.11
12	-19.04	-22.12	-23.18	-40.62	-37.31	-40.15	-43.82	-34.08	-32.56	-32.07	-28.08
13	-18.32	-21.45	-22.19	-29.89	-31.79	-31.61	-32.53	-29.21	-28.44	-32.80	-28.56
14	-17.91	-21.25	-21.77	-26.71	-29.31	-27.70	-27.85	-26.49	-26.46	-40.09	-24.81
15	-17.98	-21.60	-21.76	-26.30	-28.36	-25.86	-25.64	-24.79	-25.75	-36.73	-21.91
16	-18.62	-22.47	-21.96	-27.34	-27.67	-25.17	-24.87	-23.74	-25.69	-29.12	-20.94
17	-19.84	-23.71	-22.25	-28.09	-26.59	-25.22	-25.16	-23.40	-25.66	-26.35	-21.80
18	-21.63	-25.11	-22.65	-27.29	-25.55	-25.80	-26.15	-23.91	-25.28	-26.10	-24.36
19	-23.91	-26.49	-23.29	-26.45	-25.28	-26.71	-27.01	-25.02	-24.67	-27.92	-26.19
20	-26.53	-27.92	-24.32	-26.70	-26.05	-27.38	-26.61	-25.38	-24.07	-31.32	-23.83
21	-29.17	-29.65	-25.85	-27.79	-27.36	-26.86	-25.32	-24.01	-23.61	-31.36	-21.49
22	-31.36	-31.86	-27.94	-27.62	-27.27	-25.41	-24.22	-22.44	-23.31	-27.60	-20.75
23	-33.05	-34.48	-30.70	-25.29	-25.32	-24.17	-23.80	-21.79	-23.15	-25.12	-21.61

24	-35.02	-37.49	-34.08	-23.08	-23.52	-23.72	-24.10	-22.31	-23.12	-24.19	-24.25
25	-39.04	-42.07	-36.02	-21.93	-22.66	-24.24	-25.04	-23.83	-23.16	-24.56	-29.10
26	-44.29	-44.75	-33.57	-21.91	-22.82	-25.80	-26.39	-25.48	-23.25	-25.82	-31.37
27	-35.08	-35.72	-30.24	-23.07	-23.94	-28.46	-27.80	-25.69	-23.47	-27.15	-27.41
28	-29.21	-30.00	-27.66	-25.61	-26.14	-32.18	-28.92	-24.90	-23.99	-27.70	-25.37
29	-25.63	-26.34	-25.78	-30.15	-29.84	-35.64	-29.70	-24.70	-24.90	-27.69	-25.27
30	-23.35	-23.96	-24.46	-37.15	-36.84	-36.19	-30.17	-25.70	-25.96	-27.66	-25.90
31	-21.98	-22.51	-23.66	-34.29	-52.67	-36.07	-29.91	-27.67	-26.40	-27.67	-25.27
32	-21.29	-21.81	-23.35	-29.75	-35.68	-36.65	-28.54	-28.51	-25.81	-28.02	-23.35
33	-21.12	-21.73	-23.48	-27.52	-31.13	-33.74	-26.69	-26.59	-25.02	-29.27	-21.64
34	-21.28	-22.15	-23.94	-26.57	-28.43	-28.72	-25.15	-24.70	-24.90	-30.68	-20.44
35	-21.56	-22.87	-24.52	-26.46	-26.22	-25.08	-24.27	-24.23	-25.67	-28.44	-19.50
36	-21.70	-23.59	-24.93	-26.92	-24.36	-22.96	-24.09	-25.39	-26.72	-24.51	-18.68
37	-21.53	-23.92	-24.92	-27.65	-23.15	-22.18	-24.41	-27.70	-26.32	-21.73	-18.18
38	-21.03	-23.57	-24.53	-28.25	-22.80	-22.64	-24.67	-27.40	-24.54	-20.30	-18.29
39	-20.31	-22.63	-24.09	-28.50	-23.49	-24.27	-24.21	-24.14	-23.11	-20.10	-19.08
40	-19.54	-21.48	-23.94	-28.78	-25.38	-26.59	-23.15	-21.83	-22.69	-20.93	-20.10
41	-18.84	-20.53	-24.16	-29.65	-28.73	-27.63	-22.18	-21.01	-23.27	-22.00	-20.17
42	-18.31	-20.06	-24.16	-30.96	-34.07	-26.32	-21.75	-21.54	-24.51	-21.76	-19.14
43	-18.02	-20.17	-22.73	-30.51	-42.00	-24.63	-22.00	-23.38	-25.68	-20.56	-18.29
44	-18.01	-20.72	-20.14	-27.91	-39.89	-23.38	-22.95	-26.46	-26.20	-20.06	-18.37
45	-18.30	-21.04	-17.67	-25.76	-33.33	-22.59	-24.59	-30.09	-26.63	-20.98	-19.30
46	-18.81	-20.22	-15.90	-24.96	-28.98	-22.32	-26.91	-31.70	-27.93	-23.33	-19.91
47	-19.41	-18.56	-14.94	-25.65	-26.31	-22.77	-29.95	-31.44	-31.10	-24.96	-18.67
48	-19.89	-17.05	-14.79	-28.01	-25.10	-24.20	-33.68	-32.18	-39.05	-22.85	-16.68
49	-20.12	-16.19	-15.46	-32.08	-25.22	-26.82	-37.26	-35.85	-38.69	-20.41	-15.26
50	-20.19	-16.12	-17.02	-35.01	-26.68	-30.60	-39.03	-55.03	-29.91	-19.11	-14.62
51	-20.36	-16.91	-19.53	-33.66	-29.47	-34.24	-39.18	-34.95	-25.91	-18.69	-14.55
52	-20.83	-18.63	-22.65	-32.97	-33.23	-36.28	-35.68	-28.13	-23.81	-18.74	-14.75
53	-21.72	-21.41	-24.18	-33.93	-36.07	-37.67	-30.26	-24.46	-22.88	-18.90	-14.94
54	-22.96	-25.39	-22.58	-35.63	-35.35	-33.50	-26.00	-22.26	-22.76	-19.02	-15.09
55	-24.38	-29.58	-20.53	-36.78	-31.66	-28.10	-23.10	-21.03	-23.08	-19.18	-15.39
56	-25.78	-29.50	-19.09	-34.94	-27.75	-24.55	-21.34	-20.62	-23.50	-19.58	-16.00
57	-27.22	-26.75	-18.24	-30.17	-24.94	-22.51	-20.54	-21.03	-23.94	-20.36	-16.92
58	-29.09	-24.26	-17.79	-26.09	-23.38	-21.64	-20.61	-22.46	-24.69	-21.42	-17.81
59	-31.40	-22.18	-17.65	-23.52	-23.02	-21.77	-21.49	-25.23	-26.16	-22.22	-18.23
60	-32.03	-20.53	-17.69	-22.41	-23.90	-22.89	-23.20	-29.98	-28.50	-22.24	-18.13
61	-29.64	-19.35	-17.84	-22.72	-26.20	-25.20	-25.95	-36.16	-30.68	-21.64	-17.94
62	-27.13	-18.64	-17.99	-24.64	-30.69	-29.35	-30.46	-35.49	-30.22	-20.97	-17.95
63	-25.43	-18.29	-18.08	-29.03	-41.33	-38.43	-39.86	-34.56	-28.26	-20.57	-18.11
64	-24.14	-18.12	-18.09	-41.14	-37.47	-41.22	-37.64	-36.40	-26.77	-20.62	-18.32
65	-22.59	-17.95	-18.05	-33.92	-30.08	-31.69	-30.85	-34.74	-26.12	-21.29	-18.60
66	-20.54	-17.63	-18.00	-26.96	-26.57	-28.13	-28.26	-30.54	-26.45	-22.76	-19.17
67	-18.37	-17.20	-17.95	-23.57	-24.56	-26.37	-27.82	-28.77	-28.28	-25.13	-20.32

68	-16.48	-16.72	-17.93	-21.64	-23.53	-25.62	-29.27	-29.99	-32.95	-27.88	-22.29
69	-15.05	-16.30	-17.92	-20.73	-23.31	-25.67	-32.87	-36.57	-36.85	-29.27	-25.35
70	-14.08	-15.99	-17.87	-20.79	-23.80	-26.52	-35.50	-35.17	-29.14	-29.32	-30.05
71	-13.52	-15.83	-17.71	-21.87	-24.77	-28.13	-30.78	-26.62	-25.13	-30.40	-37.78
72	-13.30	-15.78	-17.38	-24.10	-25.73	-29.97	-26.93	-22.94	-23.65	-33.97	-38.13
73	-13.33	-15.81	-16.92	-27.20	-26.06	-30.40	-24.75	-21.53	-24.09	-35.94	-32.88
74	-13.52	-15.85	-16.40	-28.39	-25.84	-28.91	-23.71	-21.77	-26.49	-30.47	-31.17
75	-13.78	-15.83	-15.98	-26.20	-25.71	-27.14	-23.51	-23.59	-30.68	-27.19	-31.43
76	-14.04	-15.73	-15.78	-24.19	-26.14	-25.96	-24.02	-27.31	-31.76	-26.28	-30.36
77	-14.29	-15.57	-15.92	-23.38	-27.20	-25.53	-25.22	-34.15	-29.08	-27.50	-26.56
78	-14.49	-15.40	-16.45	-23.84	-28.54	-25.94	-27.32	-40.06	-28.14	-31.37	-23.38
79	-14.65	-15.28	-17.41	-25.75	-29.61	-27.33	-31.04	-33.52	-29.28	-36.75	-21.63
80	-14.74	-15.24	-18.75	-30.08	-30.71	-29.86	-37.99	-30.22	-32.29	-31.92	-21.11
81	-14.74	-15.30	-20.30	-44.31	-33.26	-32.70	-34.60	-28.25	-36.53	-28.65	-21.56
82	-14.67	-15.44	-21.75	-33.22	-36.60	-31.91	-28.28	-26.66	-38.12	-28.64	-22.76
83	-14.56	-15.67	-22.66	-25.96	-30.72	-28.79	-25.03	-25.23	-34.37	-32.15	-24.66
84	-14.46	-15.97	-22.90	-22.22	-25.35	-26.48	-23.56	-24.15	-30.51	-34.49	-27.31
85	-14.47	-16.40	-22.63	-19.92	-22.28	-25.26	-23.48	-23.84	-28.36	-27.61	-28.92
86	-14.66	-17.01	-22.14	-18.46	-20.78	-24.96	-24.74	-24.91	-28.39	-23.96	-26.91
87	-15.10	-17.90	-21.67	-17.52	-20.42	-25.09	-27.02	-28.61	-31.85	-22.97	-24.71
88	-15.87	-19.19	-21.49	-16.80	-20.58	-24.24	-27.33	-35.69	-47.45	-24.26	-24.00
89	-17.04	-21.05	-21.84	-16.04	-20.03	-21.72	-23.76	-26.44	-29.33	-27.83	-24.71
90	-18.70	-23.71	-22.98	-15.15	-18.18	-18.90	-20.24	-20.69	-22.92	-28.06	-26.26
91	-20.99	-27.51	-25.33	-14.27	-16.01	-16.68	-17.74	-17.50	-19.38	-22.71	-26.74
92	-24.17	-31.91	-30.00	-13.55	-14.29	-15.23	-16.12	-15.70	-17.12	-18.61	-23.74
93	-28.45	-31.46	-40.76	-13.05	-13.18	-14.46	-15.21	-14.77	-15.58	-15.62	-19.37
94	-31.10	-27.97	-31.08	-12.74	-12.57	-14.23	-14.87	-14.43	-14.48	-13.34	-15.65
95	-27.50	-25.35	-24.75	-12.50	-12.31	-14.33	-14.96	-14.43	-13.71	-11.69	-12.92
96	-23.55	-23.36	-21.03	-12.18	-12.18	-14.49	-15.29	-14.55	-13.18	-10.64	-11.13
97	-20.51	-21.51	-18.37	-11.71	-11.96	-14.44	-15.60	-14.64	-12.84	-10.12	-10.15
98	-18.04	-19.48	-16.25	-11.06	-11.51	-14.00	-15.64	-14.56	-12.57	-10.00	-9.82
99	-15.90	-17.25	-14.42	-10.32	-10.82	-13.21	-15.24	-14.27	-12.30	-10.07	-9.95
100	-13.98	-14.98	-12.79	-9.57	-9.99	-12.27	-14.50	-13.80	-11.97	-10.11	-10.35
101	-12.23	-12.84	-11.31	-8.91	-9.18	-11.42	-13.64	-13.28	-11.61	-9.93	-10.80
102	-10.64	-10.92	-9.98	-8.41	-8.52	-10.81	-12.90	-12.90	-11.34	-9.60	-11.17
103	-9.22	-9.26	-8.80	-8.08	-8.07	-10.51	-12.45	-12.84	-11.32	-9.39	-11.45
104	-7.98	-7.88	-7.78	-7.93	-7.86	-10.50	-12.32	-13.17	-11.69	-9.61	-11.72
105	-6.90	-6.74	-6.92	-7.93	-7.83	-10.70	-12.48	-13.94	-12.54	-10.37	-12.08
106	-5.98	-5.82	-6.22	-8.01	-7.90	-10.94	-12.78	-15.04	-13.79	-11.49	-12.40
107	-5.18	-5.08	-5.64	-8.09	-7.91	-11.01	-13.01	-16.20	-14.98	-12.23	-12.32
108	-4.49	-4.48	-5.18	-8.04	-7.73	-10.73	-12.99	-16.88	-15.20	-11.75	-11.61
109	-3.89	-4.01	-4.80	-7.78	-7.29	-10.08	-12.62	-16.57	-14.16	-10.43	-10.51
110	-3.39	-3.65	-4.49	-7.29	-6.64	-9.23	-11.99	-15.40	-12.67	-9.06	-9.41
111	-2.99	-3.39	-4.23	-6.64	-5.89	-8.33	-11.21	-13.88	-11.29	-7.95	-8.52

112	-2.72	-3.22	-4.03	-5.93	-5.19	-7.53	-10.39	-12.35	-10.13	-7.14	-7.83
113	-2.57	-3.14	-3.87	-5.26	-4.59	-6.87	-9.58	-10.95	-9.11	-6.57	-7.24
114	-2.51	-3.10	-3.74	-4.68	-4.13	-6.34	-8.80	-9.72	-8.13	-6.16	-6.67
115	-2.49	-3.08	-3.63	-4.20	-3.78	-5.89	-8.04	-8.65	-7.17	-5.81	-6.03
116	-2.47	-3.03	-3.51	-3.77	-3.51	-5.47	-7.32	-7.76	-6.24	-5.43	-5.35
117	-2.38	-2.92	-3.37	-3.36	-3.24	-5.05	-6.64	-7.04	-5.40	-4.95	-4.71
118	-2.19	-2.73	-3.20	-2.91	-2.95	-4.63	-6.03	-6.52	-4.70	-4.40	-4.23
119	-1.91	-2.47	-3.02	-2.43	-2.61	-4.20	-5.51	-6.17	-4.21	-3.83	-3.96
120	-1.55	-2.16	-2.82	-1.96	-2.23	-3.81	-5.09	-5.95	-3.94	-3.32	-3.87
121	-1.17	-1.83	-2.62	-1.52	-1.87	-3.47	-4.77	-5.78	-3.87	-2.92	-3.86
122	-0.82	-1.54	-2.44	-1.15	-1.54	-3.17	-4.52	-5.57	-3.93	-2.62	-3.77
123	-0.53	-1.29	-2.30	-0.85	-1.27	-2.90	-4.31	-5.25	-3.99	-2.38	-3.48
124	-0.32	-1.10	-2.20	-0.61	-1.05	-2.63	-4.08	-4.81	-3.91	-2.10	-2.94
125	-0.20	-0.96	-2.12	-0.38	-0.86	-2.32	-3.80	-4.30	-3.61	-1.76	-2.24
126	-0.12	-0.84	-2.04	-0.10	-0.64	-1.95	-3.43	-3.77	-3.09	-1.34	-1.54
127	-0.06	-0.72	-1.92	0.27	-0.37	-1.54	-2.96	-3.28	-2.45	-0.90	-0.94
128	0.03	-0.54	-1.73	0.72	-0.02	-1.10	-2.43	-2.87	-1.82	-0.46	-0.53
129	0.20	-0.29	-1.46	1.22	0.39	-0.68	-1.88	-2.55	-1.28	-0.09	-0.28
130	0.44	0.03	-1.10	1.71	0.82	-0.29	-1.35	-2.27	-0.91	0.17	-0.14
131	0.76	0.41	-0.68	2.15	1.24	0.06	-0.86	-1.94	-0.69	0.30	-0.02
132	1.13	0.80	-0.23	2.51	1.62	0.40	-0.42	-1.52	-0.61	0.31	0.13
133	1.51	1.17	0.21	2.78	1.95	0.74	-0.02	-1.01	-0.61	0.21	0.33
134	1.86	1.50	0.61	2.96	2.23	1.11	0.34	-0.52	-0.63	0.05	0.54
135	2.17	1.76	0.94	3.10	2.48	1.50	0.69	-0.12	-0.67	-0.12	0.71
136	2.43	1.97	1.22	3.20	2.73	1.90	1.02	0.15	-0.71	-0.27	0.81
137	2.63	2.12	1.45	3.29	2.98	2.26	1.33	0.32	-0.75	-0.39	0.83
138	2.81	2.26	1.64	3.37	3.23	2.55	1.60	0.44	-0.77	-0.45	0.81
139	2.96	2.39	1.82	3.44	3.47	2.78	1.81	0.57	-0.75	-0.46	0.79
140	3.10	2.54	1.99	3.49	3.67	2.93	1.94	0.75	-0.68	-0.39	0.84
141	3.24	2.72	2.18	3.56	3.82	3.04	2.01	0.97	-0.55	-0.28	0.98
142	3.37	2.92	2.38	3.65	3.93	3.12	2.03	1.19	-0.35	-0.13	1.17
143	3.49	3.13	2.60	3.80	4.00	3.22	2.05	1.37	-0.10	0.03	1.39
144	3.60	3.35	2.82	4.01	4.06	3.33	2.12	1.50	0.16	0.16	1.57
145	3.69	3.57	3.06	4.27	4.12	3.45	2.24	1.60	0.41	0.24	1.69
146	3.77	3.77	3.31	4.53	4.19	3.57	2.44	1.70	0.62	0.26	1.74
147	3.84	3.95	3.55	4.77	4.29	3.67	2.67	1.84	0.78	0.19	1.71
148	3.90	4.11	3.80	4.94	4.39	3.75	2.93	2.04	0.87	0.03	1.60
149	3.97	4.24	4.03	5.06	4.49	3.83	3.18	2.30	0.91	-0.26	1.39
150	4.04	4.35	4.24	5.14	4.60	3.94	3.42	2.57	0.92	-0.67	1.08
151	4.12	4.42	4.41	5.23	4.73	4.10	3.65	2.83	0.93	-1.17	0.67
152	4.18	4.46	4.52	5.36	4.89	4.33	3.87	3.04	0.98	-1.71	0.20
153	4.24	4.46	4.58	5.54	5.08	4.58	4.09	3.21	1.09	-2.14	-0.29
154	4.29	4.45	4.59	5.76	5.31	4.84	4.29	3.35	1.23	-2.36	-0.73
155	4.34	4.43	4.56	5.98	5.54	5.06	4.44	3.46	1.38	-2.31	-1.06



156	4.38	4.41	4.50	6.17	5.76	5.22	4.52	3.54	1.53	-2.01	-1.25
157	4.42	4.42	4.46	6.31	5.96	5.34	4.54	3.59	1.65	-1.57	-1.28
158	4.48	4.45	4.44	6.37	6.12	5.43	4.51	3.61	1.79	-1.04	-1.16
159	4.55	4.50	4.45	6.37	6.24	5.52	4.48	3.62	1.95	-0.48	-0.88
160	4.61	4.56	4.50	6.31	6.32	5.62	4.50	3.66	2.15	0.11	-0.46
161	4.66	4.62	4.56	6.21	6.38	5.72	4.59	3.74	2.41	0.69	0.07
162	4.69	4.65	4.60	6.07	6.40	5.80	4.74	3.86	2.69	1.23	0.63
163	4.68	4.66	4.62	5.91	6.38	5.84	4.90	4.01	2.97	1.70	1.14
164	4.66	4.64	4.60	5.72	6.32	5.82	5.03	4.14	3.20	2.06	1.51
165	4.62	4.60	4.56	5.54	6.21	5.75	5.08	4.22	3.34	2.29	1.72
166	4.59	4.58	4.50	5.35	6.05	5.62	5.03	4.20	3.38	2.40	1.78
167	4.59	4.58	4.46	5.19	5.85	5.48	4.89	4.11	3.34	2.44	1.74
168	4.64	4.63	4.47	5.06	5.64	5.35	4.70	3.95	3.26	2.45	1.70
169	4.72	4.72	4.53	4.97	5.44	5.25	4.51	3.79	3.18	2.49	1.75
170	4.83	4.85	4.65	4.90	5.28	5.18	4.37	3.66	3.14	2.58	1.93
171	4.95	5.00	4.80	4.84	5.17	5.11	4.28	3.60	3.17	2.71	2.23
172	5.06	5.14	4.96	4.76	5.10	5.04	4.24	3.58	3.25	2.86	2.57
173	5.14	5.26	5.10	4.65	5.04	4.92	4.20	3.58	3.36	3.02	2.89
174	5.19	5.34	5.20	4.49	4.97	4.78	4.15	3.56	3.45	3.16	3.15
175	5.22	5.40	5.26	4.32	4.88	4.62	4.10	3.51	3.52	3.30	3.34
176	5.23	5.42	5.29	4.18	4.75	4.47	4.05	3.46	3.57	3.44	3.49
177	5.24	5.43	5.29	4.10	4.62	4.35	4.03	3.44	3.61	3.57	3.62
178	5.27	5.44	5.28	4.12	4.52	4.29	4.05	3.48	3.65	3.69	3.74
179	5.32	5.45	5.27	4.24	4.49	4.29	4.12	3.57	3.72	3.77	3.83
180	5.39	5.47	5.27	4.43	4.55	4.35	4.21	3.69	3.82	3.80	3.87
181	5.47	5.49	5.29	4.64	4.71	4.48	4.32	3.83	3.93	3.78	3.83
182	5.56	5.51	5.33	4.81	4.92	4.67	4.42	3.96	4.06	3.75	3.73
183	5.64	5.52	5.36	4.92	5.14	4.88	4.54	4.08	4.18	3.75	3.61
184	5.71	5.54	5.39	4.97	5.32	5.10	4.67	4.20	4.32	3.80	3.53
185	5.79	5.56	5.41	4.96	5.45	5.29	4.82	4.33	4.45	3.90	3.51
186	5.86	5.60	5.42	4.94	5.51	5.41	4.96	4.48	4.60	4.05	3.58
187	5.94	5.66	5.42	4.93	5.53	5.46	5.07	4.62	4.74	4.22	3.68
188	6.02	5.74	5.42	4.95	5.55	5.46	5.11	4.73	4.85	4.37	3.80
189	6.09	5.84	5.43	5.01	5.61	5.45	5.10	4.79	4.93	4.49	3.93
190	6.15	5.94	5.46	5.07	5.71	5.47	5.06	4.81	4.96	4.55	4.06
191	6.18	6.03	5.51	5.10	5.84	5.56	5.06	4.81	4.97	4.54	4.19
192	6.18	6.10	5.58	5.11	5.98	5.71	5.14	4.84	4.97	4.46	4.29
193	6.15	6.12	5.64	5.09	6.08	5.90	5.31	4.93	4.99	4.34	4.34
194	6.09	6.09	5.68	5.09	6.13	6.06	5.55	5.08	5.07	4.24	4.29
195	6.00	6.02	5.68	5.14	6.13	6.18	5.79	5.28	5.20	4.23	4.16
196	5.89	5.91	5.62	5.25	6.13	6.25	5.98	5.47	5.37	4.33	3.99
197	5.78	5.76	5.51	5.43	6.15	6.29	6.12	5.63	5.55	4.53	3.87
198	5.67	5.61	5.35	5.63	6.21	6.32	6.21	5.75	5.70	4.75	3.88
199	5.56	5.46	5.16	5.80	6.31	6.38	6.28	5.83	5.82	4.95	4.01

200	5.45	5.32	4.98	5.89	6.41	6.46	6.36	5.90	5.90	5.07	4.18
201	5.34	5.20	4.82	5.89	6.46	6.53	6.44	5.98	5.97	5.12	4.30
202	5.21	5.08	4.70	5.79	6.43	6.57	6.50	6.07	6.02	5.14	4.33
203	5.06	4.96	4.62	5.62	6.33	6.53	6.50	6.15	6.06	5.15	4.28
204	4.89	4.81	4.53	5.41	6.16	6.43	6.41	6.18	6.06	5.18	4.20
205	4.70	4.63	4.42	5.21	5.98	6.28	6.25	6.12	6.01	5.19	4.15
206	4.47	4.42	4.26	5.03	5.81	6.10	6.05	5.99	5.88	5.17	4.15
207	4.23	4.16	4.02	4.87	5.69	5.94	5.85	5.81	5.69	5.07	4.16
208	3.97	3.87	3.70	4.72	5.58	5.80	5.68	5.60	5.48	4.91	4.11
209	3.71	3.58	3.34	4.59	5.48	5.66	5.55	5.41	5.28	4.73	3.98
210	3.48	3.31	2.97	4.46	5.34	5.50	5.41	5.24	5.14	4.58	3.79
211	3.29	3.07	2.63	4.35	5.19	5.30	5.23	5.07	5.03	4.50	3.58
212	3.14	2.88	2.37	4.27	5.03	5.09	4.99	4.86	4.92	4.47	3.42
213	3.06	2.75	2.19	4.22	4.90	4.88	4.73	4.60	4.78	4.46	3.33
214	3.01	2.67	2.10	4.20	4.83	4.73	4.48	4.32	4.57	4.41	3.25
215	3.00	2.63	2.06	4.17	4.80	4.63	4.30	4.05	4.32	4.29	3.14
216	3.00	2.63	2.05	4.10	4.75	4.55	4.19	3.85	4.07	4.13	2.95
217	3.00	2.64	2.05	3.99	4.66	4.46	4.10	3.73	3.87	3.99	2.71
218	2.98	2.66	2.06	3.86	4.50	4.32	3.97	3.62	3.73	3.92	2.50
219	2.96	2.68	2.08	3.73	4.29	4.11	3.75	3.46	3.60	3.93	2.39
220	2.93	2.69	2.11	3.65	4.10	3.88	3.45	3.19	3.44	3.97	2.39
221	2.90	2.68	2.12	3.63	3.96	3.68	3.12	2.78	3.18	3.95	2.45
222	2.89	2.64	2.10	3.67	3.92	3.57	2.85	2.30	2.80	3.83	2.47
223	2.89	2.58	2.03	3.72	3.94	3.54	2.70	1.83	2.32	3.57	2.41
224	2.91	2.50	1.90	3.71	3.95	3.55	2.65	1.48	1.81	3.22	2.25
225	2.95	2.43	1.73	3.61	3.91	3.53	2.63	1.27	1.34	2.84	2.04
226	2.98	2.38	1.57	3.43	3.78	3.44	2.53	1.12	0.93	2.52	1.85
227	2.99	2.37	1.46	3.20	3.57	3.25	2.33	0.90	0.54	2.26	1.71
228	2.96	2.39	1.45	2.98	3.35	3.00	2.01	0.51	0.08	2.04	1.61
229	2.89	2.43	1.57	2.81	3.16	2.74	1.64	-0.05	-0.50	1.78	1.51
230	2.76	2.46	1.76	2.69	3.02	2.52	1.31	-0.73	-1.24	1.43	1.33
231	2.56	2.44	1.96	2.58	2.89	2.34	1.07	-1.37	-2.12	0.96	1.05
232	2.29	2.32	2.09	2.39	2.72	2.16	0.88	-1.87	-3.05	0.40	0.67
233	1.95	2.10	2.08	2.06	2.43	1.93	0.69	-2.21	-3.95	-0.20	0.23
234	1.58	1.77	1.91	1.55	1.98	1.62	0.40	-2.49	-4.79	-0.79	-0.21
235	1.20	1.36	1.56	0.91	1.42	1.23	0.01	-2.85	-5.62	-1.36	-0.62
236	0.87	0.94	1.09	0.27	0.81	0.82	-0.43	-3.35	-6.59	-1.97	-1.03
237	0.67	0.61	0.62	-0.22	0.30	0.47	-0.79	-3.87	-7.78	-2.73	-1.51
238	0.64	0.47	0.32	-0.42	0.01	0.26	-0.93	-4.19	-9.13	-3.70	-2.12
239	0.78	0.59	0.31	-0.37	-0.06	0.20	-0.82	-4.08	-10.22	-4.84	-2.89
240	1.04	0.92	0.60	-0.23	-0.01	0.21	-0.57	-3.62	-10.41	-5.91	-3.78
241	1.36	1.36	1.07	-0.20	0.01	0.17	-0.35	-3.07	-9.61	-6.47	-4.57
242	1.64	1.78	1.55	-0.36	-0.12	-0.01	-0.27	-2.67	-8.47	-6.16	-4.98
243	1.82	2.07	1.90	-0.75	-0.44	-0.34	-0.41	-2.55	-7.51	-5.29	-4.81

244	1.84	2.17	2.04	-1.31	-0.94	-0.83	-0.76	-2.73	-6.92	-4.38	-4.25
245	1.67	2.04	1.92	-1.91	-1.53	-1.39	-1.25	-3.18	-6.74	-3.76	-3.65
246	1.28	1.67	1.52	-2.43	-2.12	-1.96	-1.82	-3.80	-6.92	-3.50	-3.24
247	0.66	1.05	0.85	-2.82	-2.63	-2.49	-2.39	-4.48	-7.41	-3.60	-3.11
248	-0.18	0.20	-0.04	-3.13	-3.08	-2.99	-2.95	-5.15	-8.11	-3.98	-3.27
249	-1.19	-0.82	-1.08	-3.52	-3.57	-3.56	-3.57	-5.83	-8.96	-4.58	-3.73
250	-2.33	-1.96	-2.20	-4.12	-4.24	-4.33	-4.37	-6.60	-9.95	-5.41	-4.49
251	-3.52	-3.12	-3.29	-5.08	-5.23	-5.45	-5.49	-7.63	-11.13	-6.51	-5.60
252	-4.64	-4.20	-4.29	-6.51	-6.68	-7.03	-7.07	-9.08	-12.64	-7.98	-7.09
253	-5.59	-5.12	-5.17	-8.40	-8.63	-9.11	-9.16	-11.05	-14.58	-9.88	-8.96
254	-6.35	-5.88	-5.99	-10.42	-10.94	-11.49	-11.54	-13.31	-16.93	-12.04	-11.01
255	-7.03	-6.58	-6.86	-11.98	-13.06	-13.58	-13.54	-15.19	-19.21	-13.95	-12.94
256	-7.81	-7.38	-7.86	-12.95	-14.47	-14.95	-14.73	-16.30	-20.72	-15.33	-14.66
257	-8.86	-8.40	-8.99	-14.16	-15.62	-16.21	-15.90	-17.47	-21.76	-16.86	-16.51
258	-10.24	-9.68	-10.10	-16.36	-17.42	-18.28	-18.04	-19.76	-23.51	-19.43	-18.88
259	-11.80	-11.05	-11.02	-19.54	-20.34	-21.62	-21.49	-23.44	-26.71	-22.90	-21.45
260	-13.11	-12.19	-11.75	-21.57	-23.36	-24.83	-24.02	-25.81	-30.25	-24.29	-23.06
261	-13.80	-12.95	-12.54	-21.17	-23.68	-24.54	-23.15	-24.87	-29.82	-23.72	-23.96
262	-14.21	-13.58	-13.68	-21.49	-23.16	-23.80	-22.91	-25.15	-28.89	-24.84	-25.65
263	-15.00	-14.55	-15.29	-24.03	-24.42	-25.01	-25.28	-28.42	-30.53	-28.71	-28.22
264	-16.70	-16.20	-17.07	-28.26	-28.60	-28.66	-31.31	-33.15	-36.20	-31.81	-29.15
265	-19.61	-18.66	-18.39	-27.33	-34.48	-32.70	-31.26	-29.15	-40.04	-29.59	-28.51
266	-22.70	-21.28	-19.12	-25.00	-29.43	-30.58	-26.81	-26.60	-33.68	-30.08	-29.25
267	-21.67	-21.75	-19.89	-25.43	-26.50	-29.12	-26.22	-27.28	-32.07	-36.44	-32.14
268	-18.73	-19.92	-20.86	-29.05	-26.56	-30.37	-29.16	-31.51	-33.73	-39.20	-35.14
269	-16.71	-17.94	-20.77	-34.72	-29.14	-33.61	-37.16	-41.49	-38.25	-31.36	-34.80
270	-15.63	-16.45	-19.00	-31.36	-33.84	-34.13	-33.99	-35.80	-40.12	-30.52	-35.42
271	-15.25	-15.53	-17.15	-29.27	-34.31	-32.10	-29.75	-32.95	-37.52	-34.53	-39.05
272	-15.50	-15.29	-16.24	-30.80	-31.51	-32.08	-29.87	-34.69	-37.49	-40.88	-40.08
273	-16.48	-15.93	-16.52	-36.28	-30.74	-34.47	-33.66	-41.43	-40.49	-33.72	-37.14
274	-18.53	-17.77	-18.27	-40.03	-31.69	-36.54	-39.44	-44.79	-46.56	-31.73	-36.97
275	-22.39	-21.55	-22.19	-36.71	-33.70	-34.46	-35.48	-40.16	-50.26	-33.76	-38.37
276	-30.34	-29.32	-30.24	-38.93	-36.37	-33.34	-34.13	-42.07	-48.94	-39.84	-37.80
277	-30.13	-28.46	-27.62	-74.81	-40.90	-35.32	-37.77	-46.17	-45.05	-41.32	-37.13
278	-23.61	-22.44	-22.07	-38.00	-58.69	-42.69	-43.63	-38.56	-40.52	-37.84	-38.66
279	-21.14	-20.20	-19.98	-34.07	-42.24	-40.18	-34.49	-35.12	-38.12	-36.77	-39.07
280	-20.78	-20.09	-19.88	-34.71	-36.45	-33.74	-30.96	-35.14	-37.78	-36.26	-36.52
281	-22.02	-21.70	-21.30	-35.92	-34.49	-31.60	-30.40	-38.18	-38.40	-37.26	-36.52
282	-24.72	-24.82	-23.61	-31.30	-34.47	-31.68	-31.26	-37.74	-36.73	-41.05	-41.46
283	-28.22	-27.41	-24.20	-27.55	-35.06	-32.65	-30.93	-32.01	-33.14	-36.33	-37.62
284	-29.37	-26.22	-22.24	-25.93	-34.01	-32.19	-28.70	-28.56	-30.29	-30.77	-30.84
285	-27.88	-24.75	-20.56	-25.73	-31.41	-30.21	-26.66	-26.93	-28.44	-28.15	-27.75
286	-26.37	-24.80	-20.04	-26.02	-28.96	-28.69	-25.42	-26.21	-27.02	-27.10	-26.51
287	-24.83	-26.08	-20.64	-25.68	-27.12	-28.26	-24.72	-25.35	-25.44	-26.30	-25.87

288	-22.97	-27.08	-22.10	-24.47	-25.78	-28.82	-24.30	-23.91	-23.76	-24.98	-24.97
289	-21.13	-25.87	-23.90	-22.90	-24.70	-29.67	-24.14	-22.62	-22.51	-23.51	-23.97
290	-19.63	-23.67	-24.75	-21.29	-23.64	-29.27	-24.33	-22.11	-22.09	-22.30	-23.42
291	-18.47	-21.62	-23.44	-19.95	-22.57	-27.54	-24.95	-22.51	-22.61	-21.45	-23.58
292	-17.56	-19.68	-20.63	-19.25	-21.71	-25.98	-25.86	-23.51	-23.88	-21.09	-24.40
293	-16.86	-17.83	-17.69	-19.53	-21.39	-25.34	-26.76	-24.57	-25.23	-21.53	-25.73
294	-16.46	-16.26	-15.30	-21.18	-21.92	-25.82	-27.46	-25.60	-26.12	-23.07	-27.37
295	-16.49	-15.20	-13.66	-24.92	-23.68	-27.54	-28.33	-27.44	-27.23	-25.90	-29.13
296	-17.09	-14.78	-12.82	-33.24	-27.29	-30.52	-30.12	-30.78	-29.20	-29.06	-30.30
297	-18.39	-15.04	-12.78	-35.26	-33.97	-33.29	-33.29	-31.97	-29.27	-28.29	-28.29
298	-20.49	-15.98	-13.54	-28.91	-36.29	-32.32	-34.97	-28.66	-25.94	-24.88	-24.18
299	-23.25	-17.49	-15.06	-28.32	-32.27	-30.45	-32.07	-26.88	-23.40	-22.14	-20.93
300	-24.92	-18.98	-17.14	-32.64	-32.69	-30.10	-29.99	-27.42	-22.51	-20.53	-19.13
301	-23.05	-19.24	-18.77	-44.46	-38.85	-31.64	-29.82	-29.80	-22.97	-20.05	-18.76
302	-20.05	-17.97	-18.43	-28.74	-34.46	-34.56	-30.84	-30.22	-23.85	-20.35	-19.70
303	-17.57	-16.26	-16.68	-24.08	-27.30	-33.61	-30.82	-27.17	-23.59	-20.36	-21.26
304	-15.77	-14.83	-14.91	-22.39	-24.07	-29.89	-29.05	-25.07	-22.39	-19.38	-21.58
305	-14.58	-13.84	-13.61	-22.51	-23.04	-27.86	-27.84	-24.51	-21.76	-18.37	-20.64
306	-13.95	-13.31	-12.86	-23.97	-23.76	-27.81	-28.22	-25.03	-22.31	-18.35	-20.43
307	-13.83	-13.22	-12.70	-25.95	-26.25	-29.96	-30.47	-26.08	-24.20	-19.77	-21.94
308	-14.17	-13.54	-13.12	-27.02	-30.44	-35.57	-34.49	-27.29	-27.39	-22.88	-25.61
309	-14.87	-14.24	-14.04	-27.35	-33.11	-41.28	-36.65	-28.94	-31.10	-27.42	-29.44
310	-15.81	-15.23	-15.34	-28.59	-31.86	-34.05	-35.28	-31.75	-33.42	-30.30	-27.77
311	-16.82	-16.40	-16.76	-31.91	-32.01	-31.61	-35.49	-36.60	-34.39	-31.36	-26.77
312	-17.73	-17.64	-18.14	-38.30	-35.04	-32.47	-38.37	-43.44	-34.29	-35.09	-29.03
313	-18.41	-18.86	-19.57	-38.54	-38.23	-37.17	-44.14	-42.64	-32.18	-33.06	-35.12
314	-18.87	-20.02	-21.24	-34.46	-34.07	-61.30	-51.84	-37.90	-29.93	-27.07	-31.19
315	-19.14	-21.13	-23.01	-33.18	-31.16	-38.38	-49.64	-33.82	-28.72	-24.05	-26.24
316	-19.30	-22.13	-24.10	-33.32	-30.50	-33.95	-39.82	-31.25	-28.54	-22.98	-24.23
317	-19.51	-22.95	-24.20	-33.51	-31.25	-32.66	-34.61	-30.66	-29.07	-23.25	-23.77
318	-19.95	-23.60	-24.24	-32.61	-32.11	-32.31	-32.12	-32.44	-29.73	-24.49	-24.06
319	-20.89	-24.33	-24.95	-30.53	-31.67	-31.60	-31.26	-35.18	-29.57	-26.27	-24.62
320	-22.66	-25.58	-26.34	-28.27	-30.37	-30.50	-30.56	-30.82	-28.11	-27.68	-25.49
321	-25.83	-28.07	-28.08	-26.73	-29.15	-29.60	-28.85	-26.20	-26.16	-27.76	-26.96
322	-31.36	-33.55	-30.33	-26.32	-28.33	-29.15	-27.04	-23.69	-24.62	-27.00	-28.97
323	-32.38	-39.18	-34.46	-27.32	-28.20	-29.23	-26.21	-22.79	-23.82	-26.26	-30.49
324	-26.44	-28.94	-32.98	-30.18	-29.19	-30.03	-26.61	-23.17	-23.80	-25.79	-30.50
325	-22.83	-23.88	-25.65	-35.73	-32.12	-32.08	-28.00	-24.65	-24.46	-25.71	-30.19
326	-20.73	-20.97	-21.13	-37.92	-39.97	-36.53	-29.49	-26.96	-25.64	-26.34	-30.83
327	-19.47	-19.22	-18.50	-32.63	-43.07	-44.48	-30.52	-29.79	-27.36	-28.12	-32.86
328	-18.71	-18.27	-17.24	-29.52	-32.84	-37.11	-32.56	-33.37	-30.23	-31.32	-36.75
329	-18.25	-17.90	-17.13	-27.69	-29.13	-31.96	-39.39	-40.76	-36.84	-34.82	-44.51
330	-18.05	-18.00	-18.12	-26.55	-27.51	-29.24	-40.15	-43.26	-41.23	-35.06	-50.25
331	-18.16	-18.55	-20.29	-26.08	-27.04	-27.76	-30.82	-32.58	-29.92	-32.57	-37.41

332	-18.75	-19.67	-23.78	-26.48	-27.29	-27.20	-27.49	-28.40	-25.36	-28.75	-31.64
333	-20.06	-21.73	-28.31	-27.92	-27.85	-27.61	-26.84	-26.60	-23.12	-25.29	-28.04
334	-22.50	-25.69	-30.24	-29.99	-28.06	-29.07	-28.34	-26.39	-22.33	-23.21	-25.89
335	-26.70	-35.61	-27.69	-30.73	-27.58	-31.24	-31.93	-27.59	-22.72	-22.71	-25.00
336	-29.85	-30.22	-24.49	-29.61	-27.07	-32.31	-34.99	-30.20	-24.25	-23.98	-25.37
337	-24.90	-22.72	-21.44	-29.02	-27.43	-31.64	-33.15	-34.05	-27.09	-27.73	-27.21
338	-20.78	-18.99	-18.86	-30.23	-29.38	-31.58	-31.81	-36.33	-31.69	-37.62	-31.01
339	-18.30	-16.85	-16.93	-34.49	-34.28	-33.57	-32.28	-34.32	-36.41	-37.44	-36.42
340	-16.88	-15.67	-15.69	-50.22	-49.66	-38.74	-33.65	-31.99	-33.23	-30.10	-35.60
341	-16.20	-15.17	-15.12	-37.75	-37.94	-42.12	-34.34	-30.27	-29.60	-28.31	-33.77
342	-16.03	-15.19	-15.17	-32.74	-34.02	-37.86	-33.74	-28.88	-27.44	-28.66	-34.79
343	-16.19	-15.57	-15.79	-32.02	-34.70	-37.81	-32.05	-27.69	-26.11	-29.37	-32.48
344	-16.54	-16.19	-16.91	-34.47	-38.59	-41.99	-29.75	-26.82	-25.29	-28.01	-26.78
345	-17.04	-16.94	-18.44	-42.12	-36.41	-36.75	-27.88	-26.57	-24.90	-25.41	-23.08
346	-17.74	-17.81	-20.22	-40.58	-31.58	-30.98	-27.11	-27.30	-25.02	-23.46	-21.31
347	-18.78	-18.84	-22.11	-33.52	-29.47	-28.44	-27.68	-29.56	-25.69	-22.65	-21.19
348	-20.26	-20.14	-24.05	-30.46	-29.41	-28.22	-29.67	-34.64	-26.65	-23.05	-22.77
349	-22.17	-21.84	-26.13	-28.89	-30.70	-30.35	-32.85	-42.58	-27.27	-24.66	-26.53
350	-24.18	-23.97	-28.31	-27.80	-31.76	-35.65	-35.41	-34.65	-27.19	-27.25	-33.69
351	-25.59	-26.27	-30.29	-26.75	-31.01	-37.25	-35.30	-30.67	-27.06	-29.51	-34.27
352	-25.96	-27.78	-31.88	-25.77	-29.80	-31.55	-34.02	-29.27	-27.69	-29.60	-29.28
353	-25.69	-27.67	-33.58	-25.13	-29.22	-28.91	-32.32	-29.30	-29.61	-28.65	-27.16
354	-25.24	-26.86	-35.85	-25.06	-29.03	-28.34	-30.91	-30.43	-33.16	-27.71	-26.24
355	-24.88	-26.49	-37.75	-25.66	-28.81	-29.27	-30.86	-33.16	-35.65	-26.43	-25.50
356	-24.90	-27.10	-38.40	-26.82	-28.69	-31.53	-33.34	-38.56	-31.78	-24.50	-24.17
357	-25.72	-29.24	-40.72	-28.03	-29.24	-35.13	-42.16	-34.73	-27.86	-22.37	-22.28
358	-27.98	-34.16	-45.00	-28.74	-31.00	-37.37	-37.15	-28.51	-25.27	-20.73	-20.58
359	-33.34	-37.85	-34.51	-29.32	-34.42	-34.01	-29.86	-25.25	-23.76	-20.03	-19.70

Port 3:

Angle	FREQUENCY										
	2400	2450	2500	5150	5250	5350	5450	5550	5560	5750	5850
	Horizontal										
0	-26.00	-32.12	-39.51	-31.73	-27.72	-23.98	-23.24	-21.62	-22.65	-21.28	-24.08
1	-24.64	-28.89	-50.83	-34.21	-28.80	-24.25	-23.46	-21.85	-23.38	-22.16	-25.38
2	-23.26	-26.22	-35.99	-34.49	-30.22	-24.83	-23.93	-22.24	-24.34	-23.19	-26.98
3	-21.98	-24.10	-30.85	-31.68	-31.44	-25.64	-24.62	-22.79	-25.55	-24.28	-28.75
4	-20.81	-22.42	-27.74	-28.77	-31.41	-26.50	-25.49	-23.47	-27.04	-25.22	-30.33
5	-19.78	-21.05	-25.58	-26.61	-29.96	-27.15	-26.37	-24.19	-28.76	-25.81	-31.05
6	-18.87	-19.92	-23.97	-25.14	-28.05	-27.25	-26.98	-24.80	-30.34	-25.95	-30.59
7	-18.09	-19.00	-22.74	-24.22	-26.34	-26.75	-26.97	-25.09	-30.83	-25.75	-29.48
8	-17.43	-18.25	-21.78	-23.74	-24.97	-25.92	-26.33	-24.95	-29.74	-25.43	-28.26
9	-16.88	-17.65	-21.05	-23.60	-23.93	-25.05	-25.36	-24.45	-27.93	-25.16	-27.16

10	-16.43	-17.18	-20.49	-23.73	-23.16	-24.34	-24.42	-23.82	-26.22	-25.03	-26.22
11	-16.08	-16.84	-20.09	-24.00	-22.62	-23.87	-23.71	-23.29	-24.87	-25.07	-25.44
12	-15.83	-16.60	-19.81	-24.31	-22.30	-23.68	-23.34	-22.98	-23.91	-25.29	-24.80
13	-15.68	-16.46	-19.63	-24.57	-22.19	-23.82	-23.36	-22.98	-23.29	-25.67	-24.33
14	-15.62	-16.42	-19.53	-24.76	-22.31	-24.34	-23.80	-23.32	-22.96	-26.20	-24.06
15	-15.66	-16.46	-19.49	-24.96	-22.73	-25.33	-24.69	-24.02	-22.85	-26.82	-24.04
16	-15.78	-16.58	-19.47	-25.32	-23.52	-27.00	-26.01	-24.99	-22.87	-27.50	-24.30
17	-16.00	-16.77	-19.44	-26.01	-24.84	-29.77	-27.41	-25.95	-22.91	-28.16	-24.90
18	-16.32	-17.00	-19.38	-27.24	-26.96	-34.96	-27.90	-26.29	-22.85	-28.74	-25.85
19	-16.71	-17.27	-19.26	-29.32	-30.55	-48.01	-26.65	-25.52	-22.61	-29.16	-27.14
20	-17.18	-17.54	-19.05	-32.82	-38.19	-34.91	-24.52	-24.03	-22.22	-29.30	-28.51
21	-17.72	-17.78	-18.77	-38.12	-43.11	-28.80	-22.49	-22.43	-21.72	-29.05	-29.24
22	-18.28	-17.96	-18.41	-36.28	-31.64	-25.30	-20.85	-21.05	-21.22	-28.30	-28.54
23	-18.84	-18.05	-18.00	-30.71	-26.95	-23.00	-19.63	-19.97	-20.76	-27.08	-26.80
24	-19.34	-18.04	-17.58	-27.08	-24.15	-21.42	-18.78	-19.18	-20.39	-25.58	-24.91
25	-19.70	-17.91	-17.17	-24.66	-22.32	-20.37	-18.26	-18.66	-20.10	-24.02	-23.28
26	-19.88	-17.70	-16.78	-22.98	-21.12	-19.73	-18.02	-18.34	-19.87	-22.55	-21.97
27	-19.84	-17.43	-16.45	-21.79	-20.36	-19.42	-18.03	-18.19	-19.69	-21.26	-20.98
28	-19.60	-17.13	-16.19	-20.93	-19.94	-19.37	-18.22	-18.13	-19.51	-20.20	-20.26
29	-19.23	-16.85	-16.00	-20.26	-19.72	-19.49	-18.52	-18.11	-19.34	-19.38	-19.78
30	-18.79	-16.60	-15.89	-19.67	-19.62	-19.68	-18.84	-18.09	-19.19	-18.82	-19.50
31	-18.35	-16.40	-15.88	-19.10	-19.52	-19.82	-19.07	-18.05	-19.08	-18.51	-19.37
32	-17.94	-16.28	-15.96	-18.50	-19.34	-19.82	-19.15	-18.01	-19.05	-18.44	-19.39
33	-17.60	-16.23	-16.15	-17.89	-19.07	-19.65	-19.07	-18.00	-19.14	-18.63	-19.54
34	-17.35	-16.28	-16.45	-17.31	-18.76	-19.38	-18.91	-18.08	-19.38	-19.07	-19.83
35	-17.20	-16.43	-16.87	-16.82	-18.48	-19.13	-18.77	-18.30	-19.81	-19.78	-20.30
36	-17.16	-16.69	-17.41	-16.46	-18.31	-18.98	-18.72	-18.72	-20.48	-20.77	-21.00
37	-17.23	-17.05	-18.07	-16.26	-18.30	-19.01	-18.85	-19.40	-21.44	-22.10	-22.04
38	-17.42	-17.53	-18.85	-16.26	-18.47	-19.26	-19.19	-20.39	-22.76	-23.85	-23.53
39	-17.73	-18.13	-19.72	-16.44	-18.83	-19.75	-19.78	-21.82	-24.60	-26.18	-25.63
40	-18.17	-18.83	-20.63	-16.83	-19.34	-20.46	-20.64	-23.85	-27.23	-29.37	-28.50
41	-18.73	-19.62	-21.47	-17.41	-19.94	-21.37	-21.82	-26.87	-31.30	-33.54	-31.46
42	-19.42	-20.44	-22.03	-18.19	-20.57	-22.45	-23.37	-31.98	-38.40	-34.89	-31.33
43	-20.22	-21.21	-22.14	-19.15	-21.18	-23.63	-25.39	-46.22	-37.44	-30.97	-28.58
44	-21.09	-21.76	-21.73	-20.30	-21.75	-24.83	-27.97	-35.43	-30.64	-27.45	-26.18
45	-21.93	-21.93	-20.94	-21.67	-22.36	-26.00	-30.77	-28.62	-26.73	-24.99	-24.58
46	-22.60	-21.65	-19.96	-23.33	-23.12	-27.00	-31.52	-25.03	-24.18	-23.30	-23.65
47	-22.87	-21.00	-18.97	-25.39	-24.17	-27.53	-28.97	-22.71	-22.43	-22.18	-23.21
48	-22.65	-20.14	-18.03	-27.98	-25.53	-27.16	-25.90	-21.12	-21.22	-21.52	-23.08
49	-21.97	-19.22	-17.20	-30.67	-26.83	-25.83	-23.39	-20.02	-20.43	-21.26	-23.04
50	-21.03	-18.33	-16.49	-30.67	-26.97	-24.02	-21.44	-19.29	-20.01	-21.35	-22.88
51	-20.02	-17.53	-15.90	-27.54	-25.34	-22.22	-19.96	-18.87	-19.91	-21.75	-22.51
52	-19.04	-16.83	-15.43	-24.35	-23.04	-20.66	-18.87	-18.72	-20.12	-22.38	-22.00
53	-18.15	-16.25	-15.06	-21.82	-20.96	-19.42	-18.12	-18.82	-20.61	-23.15	-21.52

54	-17.37	-15.77	-14.80	-19.89	-19.33	-18.52	-17.69	-19.15	-21.36	-23.86	-21.24
55	-16.70	-15.40	-14.64	-18.43	-18.14	-17.95	-17.56	-19.70	-22.35	-24.36	-21.30
56	-16.15	-15.13	-14.58	-17.37	-17.36	-17.71	-17.73	-20.46	-23.50	-24.61	-21.77
57	-15.71	-14.96	-14.61	-16.64	-16.97	-17.80	-18.18	-21.42	-24.73	-24.73	-22.76
58	-15.38	-14.89	-14.73	-16.22	-16.92	-18.21	-18.92	-22.55	-25.89	-24.97	-24.42
59	-15.14	-14.91	-14.94	-16.07	-17.23	-18.95	-19.90	-23.82	-26.88	-25.54	-27.04
60	-15.00	-15.03	-15.25	-16.19	-17.88	-20.02	-21.08	-25.16	-27.63	-26.60	-31.36
61	-14.96	-15.25	-15.64	-16.56	-18.86	-21.35	-22.29	-26.44	-28.15	-28.21	-39.48
62	-15.00	-15.56	-16.13	-17.19	-20.15	-22.76	-23.27	-27.39	-28.36	-29.90	-36.98
63	-15.14	-15.97	-16.69	-18.07	-21.63	-23.83	-23.75	-27.70	-28.07	-29.86	-30.27
64	-15.37	-16.49	-17.34	-19.16	-22.94	-24.05	-23.72	-27.21	-27.11	-27.46	-26.56
65	-15.70	-17.12	-18.04	-20.39	-23.52	-23.44	-23.41	-26.10	-25.62	-24.63	-24.12
66	-16.13	-17.86	-18.77	-21.57	-23.09	-22.48	-23.08	-24.69	-23.91	-22.28	-22.32
67	-16.67	-18.72	-19.48	-22.34	-22.09	-21.58	-22.86	-23.21	-22.25	-20.45	-20.88
68	-17.32	-19.70	-20.08	-22.36	-21.02	-20.90	-22.74	-21.78	-20.74	-19.07	-19.66
69	-18.10	-20.77	-20.46	-21.66	-20.14	-20.44	-22.60	-20.44	-19.43	-18.05	-18.59
70	-19.00	-21.86	-20.55	-20.61	-19.49	-20.15	-22.21	-19.21	-18.30	-17.30	-17.64
71	-20.03	-22.82	-20.32	-19.50	-19.03	-19.91	-21.40	-18.06	-17.34	-16.77	-16.82
72	-21.18	-23.40	-19.81	-18.48	-18.70	-19.59	-20.15	-17.01	-16.52	-16.38	-16.14
73	-22.35	-23.37	-19.12	-17.60	-18.40	-19.04	-18.65	-16.04	-15.81	-16.07	-15.59
74	-23.38	-22.72	-18.35	-16.86	-18.02	-18.22	-17.10	-15.14	-15.19	-15.78	-15.18
75	-23.93	-21.66	-17.56	-16.23	-17.49	-17.19	-15.64	-14.32	-14.64	-15.46	-14.92
76	-23.75	-20.45	-16.80	-15.68	-16.77	-16.06	-14.32	-13.58	-14.15	-15.09	-14.80
77	-22.86	-19.25	-16.09	-15.18	-15.91	-14.93	-13.17	-12.92	-13.73	-14.69	-14.80
78	-21.59	-18.12	-15.43	-14.72	-14.99	-13.89	-12.19	-12.36	-13.36	-14.28	-14.90
79	-20.23	-17.09	-14.83	-14.27	-14.08	-12.96	-11.38	-11.90	-13.06	-13.91	-15.07
80	-18.91	-16.16	-14.29	-13.81	-13.23	-12.15	-10.72	-11.55	-12.84	-13.62	-15.25
81	-17.70	-15.33	-13.80	-13.34	-12.46	-11.47	-10.21	-11.31	-12.70	-13.44	-15.41
82	-16.61	-14.58	-13.36	-12.85	-11.79	-10.89	-9.83	-11.18	-12.64	-13.38	-15.51
83	-15.63	-13.91	-12.96	-12.33	-11.19	-10.41	-9.56	-11.15	-12.65	-13.43	-15.51
84	-14.75	-13.30	-12.61	-11.79	-10.66	-9.99	-9.39	-11.20	-12.71	-13.55	-15.41
85	-13.96	-12.76	-12.29	-11.24	-10.17	-9.62	-9.29	-11.30	-12.76	-13.66	-15.21
86	-13.25	-12.27	-12.01	-10.66	-9.69	-9.28	-9.24	-11.40	-12.76	-13.67	-14.89
87	-12.61	-11.82	-11.75	-10.07	-9.21	-8.94	-9.20	-11.45	-12.63	-13.46	-14.45
88	-12.03	-11.42	-11.51	-9.47	-8.71	-8.61	-9.13	-11.38	-12.33	-12.99	-13.90
89	-11.50	-11.06	-11.29	-8.87	-8.21	-8.27	-9.03	-11.15	-11.85	-12.29	-13.24
90	-11.03	-10.73	-11.09	-8.28	-7.70	-7.93	-8.86	-10.76	-11.24	-11.46	-12.51
91	-10.59	-10.42	-10.89	-7.72	-7.20	-7.59	-8.62	-10.24	-10.55	-10.59	-11.74
92	-10.20	-10.14	-10.70	-7.18	-6.73	-7.26	-8.32	-9.64	-9.84	-9.75	-10.98
93	-9.83	-9.89	-10.51	-6.68	-6.30	-6.96	-7.98	-9.02	-9.17	-9.00	-10.26
94	-9.50	-9.64	-10.33	-6.22	-5.92	-6.67	-7.61	-8.41	-8.55	-8.34	-9.60
95	-9.19	-9.41	-10.13	-5.81	-5.59	-6.41	-7.23	-7.84	-7.99	-7.78	-9.01
96	-8.90	-9.19	-9.93	-5.44	-5.31	-6.17	-6.86	-7.33	-7.50	-7.32	-8.51
97	-8.62	-8.98	-9.72	-5.11	-5.08	-5.94	-6.50	-6.88	-7.07	-6.93	-8.08

98	-8.36	-8.76	-9.49	-4.82	-4.89	-5.74	-6.16	-6.47	-6.70	-6.61	-7.73
99	-8.12	-8.54	-9.26	-4.57	-4.72	-5.53	-5.84	-6.12	-6.37	-6.35	-7.46
100	-7.87	-8.32	-9.00	-4.36	-4.58	-5.34	-5.54	-5.80	-6.08	-6.13	-7.24
101	-7.64	-8.08	-8.74	-4.18	-4.45	-5.14	-5.26	-5.51	-5.82	-5.94	-7.07
102	-7.40	-7.84	-8.45	-4.03	-4.32	-4.94	-5.00	-5.25	-5.59	-5.77	-6.95
103	-7.16	-7.58	-8.16	-3.89	-4.18	-4.75	-4.76	-5.02	-5.38	-5.62	-6.84
104	-6.92	-7.31	-7.85	-3.78	-4.04	-4.55	-4.54	-4.81	-5.20	-5.49	-6.75
105	-6.67	-7.03	-7.53	-3.69	-3.89	-4.36	-4.34	-4.62	-5.04	-5.37	-6.66
106	-6.41	-6.73	-7.20	-3.60	-3.74	-4.19	-4.16	-4.45	-4.91	-5.28	-6.57
107	-6.15	-6.42	-6.86	-3.53	-3.59	-4.04	-4.01	-4.32	-4.81	-5.20	-6.48
108	-5.88	-6.10	-6.52	-3.47	-3.45	-3.91	-3.90	-4.22	-4.74	-5.14	-6.39
109	-5.59	-5.77	-6.18	-3.42	-3.33	-3.81	-3.81	-4.16	-4.71	-5.10	-6.31
110	-5.30	-5.44	-5.83	-3.38	-3.24	-3.74	-3.76	-4.14	-4.71	-5.08	-6.25
111	-5.00	-5.09	-5.48	-3.35	-3.19	-3.72	-3.74	-4.15	-4.74	-5.08	-6.22
112	-4.70	-4.75	-5.14	-3.33	-3.17	-3.73	-3.76	-4.20	-4.79	-5.09	-6.23
113	-4.38	-4.40	-4.80	-3.34	-3.19	-3.77	-3.80	-4.27	-4.85	-5.12	-6.29
114	-4.07	-4.06	-4.47	-3.36	-3.26	-3.85	-3.87	-4.36	-4.92	-5.15	-6.40
115	-3.75	-3.72	-4.14	-3.41	-3.36	-3.95	-3.96	-4.45	-4.99	-5.20	-6.58
116	-3.43	-3.38	-3.82	-3.48	-3.50	-4.08	-4.06	-4.53	-5.05	-5.27	-6.83
117	-3.10	-3.05	-3.50	-3.57	-3.66	-4.22	-4.15	-4.60	-5.12	-5.37	-7.14
118	-2.78	-2.73	-3.19	-3.69	-3.83	-4.36	-4.24	-4.64	-5.18	-5.50	-7.52
119	-2.47	-2.41	-2.89	-3.83	-4.02	-4.50	-4.31	-4.66	-5.25	-5.68	-7.97
120	-2.16	-2.11	-2.60	-3.99	-4.20	-4.63	-4.36	-4.65	-5.33	-5.91	-8.48
121	-1.85	-1.81	-2.32	-4.16	-4.37	-4.75	-4.39	-4.64	-5.43	-6.20	-9.03
122	-1.55	-1.52	-2.04	-4.35	-4.52	-4.84	-4.40	-4.63	-5.55	-6.56	-9.61
123	-1.26	-1.25	-1.77	-4.54	-4.66	-4.91	-4.41	-4.63	-5.70	-6.97	-10.16
124	-0.98	-0.98	-1.51	-4.73	-4.77	-4.96	-4.41	-4.65	-5.87	-7.43	-10.63
125	-0.70	-0.73	-1.26	-4.92	-4.87	-5.00	-4.42	-4.69	-6.06	-7.93	-10.98
126	-0.44	-0.48	-1.02	-5.11	-4.96	-5.03	-4.46	-4.77	-6.25	-8.44	-11.15
127	-0.18	-0.24	-0.78	-5.28	-5.04	-5.05	-4.53	-4.86	-6.45	-8.92	-11.14
128	0.06	-0.02	-0.55	-5.45	-5.12	-5.08	-4.62	-4.98	-6.62	-9.34	-10.97
129	0.30	0.20	-0.32	-5.61	-5.21	-5.12	-4.76	-5.11	-6.76	-9.66	-10.71
130	0.52	0.41	-0.10	-5.76	-5.31	-5.19	-4.93	-5.23	-6.86	-9.89	-10.43
131	0.74	0.62	0.11	-5.92	-5.42	-5.27	-5.13	-5.34	-6.92	-10.04	-10.18
132	0.95	0.81	0.32	-6.09	-5.56	-5.39	-5.37	-5.44	-6.96	-10.14	-10.00
133	1.15	1.00	0.53	-6.27	-5.73	-5.55	-5.61	-5.51	-6.99	-10.25	-9.92
134	1.34	1.19	0.73	-6.48	-5.93	-5.74	-5.87	-5.57	-7.02	-10.40	-9.95
135	1.52	1.37	0.92	-6.72	-6.16	-5.98	-6.13	-5.63	-7.09	-10.62	-10.11
136	1.70	1.55	1.12	-6.99	-6.44	-6.26	-6.39	-5.69	-7.19	-10.92	-10.40
137	1.87	1.72	1.31	-7.29	-6.75	-6.57	-6.63	-5.78	-7.33	-11.31	-10.83
138	2.04	1.89	1.49	-7.62	-7.10	-6.92	-6.87	-5.90	-7.52	-11.77	-11.38
139	2.20	2.06	1.67	-7.94	-7.47	-7.30	-7.09	-6.06	-7.75	-12.27	-12.05
140	2.35	2.22	1.85	-8.25	-7.84	-7.68	-7.29	-6.25	-8.01	-12.76	-12.83
141	2.51	2.38	2.02	-8.51	-8.17	-8.06	-7.46	-6.47	-8.29	-13.20	-13.71



142	2.66	2.54	2.18	-8.67	-8.42	-8.39	-7.60	-6.71	-8.56	-13.53	-14.66
143	2.80	2.69	2.34	-8.70	-8.53	-8.65	-7.68	-6.93	-8.80	-13.71	-15.63
144	2.95	2.85	2.50	-8.57	-8.47	-8.78	-7.69	-7.10	-8.99	-13.71	-16.53
145	3.09	2.99	2.65	-8.27	-8.22	-8.75	-7.58	-7.19	-9.10	-13.53	-17.17
146	3.23	3.14	2.79	-7.82	-7.78	-8.52	-7.36	-7.17	-9.10	-13.18	-17.28
147	3.36	3.28	2.92	-7.24	-7.19	-8.09	-7.01	-7.01	-8.97	-12.67	-16.69
148	3.50	3.41	3.05	-6.57	-6.51	-7.49	-6.54	-6.73	-8.71	-12.04	-15.50
149	3.63	3.55	3.18	-5.85	-5.78	-6.76	-5.98	-6.33	-8.32	-11.32	-14.00
150	3.75	3.67	3.29	-5.10	-5.02	-5.96	-5.35	-5.84	-7.82	-10.55	-12.43
151	3.88	3.79	3.40	-4.35	-4.28	-5.12	-4.68	-5.28	-7.22	-9.74	-10.92
152	4.00	3.91	3.50	-3.62	-3.56	-4.28	-3.99	-4.68	-6.58	-8.93	-9.52
153	4.11	4.01	3.60	-2.90	-2.87	-3.47	-3.31	-4.07	-5.91	-8.13	-8.25
154	4.23	4.12	3.69	-2.22	-2.23	-2.70	-2.65	-3.47	-5.24	-7.34	-7.10
155	4.33	4.21	3.77	-1.58	-1.63	-1.99	-2.02	-2.89	-4.60	-6.58	-6.05
156	4.44	4.30	3.85	-0.98	-1.07	-1.33	-1.42	-2.33	-3.99	-5.84	-5.10
157	4.53	4.38	3.92	-0.43	-0.56	-0.74	-0.87	-1.82	-3.43	-5.11	-4.23
158	4.62	4.46	3.99	0.08	-0.09	-0.21	-0.35	-1.35	-2.92	-4.39	-3.42
159	4.71	4.53	4.06	0.54	0.33	0.27	0.12	-0.93	-2.44	-3.67	-2.68
160	4.79	4.60	4.12	0.96	0.72	0.70	0.56	-0.54	-1.98	-2.95	-1.99
161	4.87	4.67	4.18	1.34	1.07	1.08	0.96	-0.20	-1.54	-2.24	-1.36
162	4.93	4.72	4.24	1.67	1.40	1.43	1.32	0.12	-1.11	-1.54	-0.77
163	5.00	4.78	4.30	1.97	1.70	1.75	1.66	0.42	-0.67	-0.87	-0.22
164	5.06	4.83	4.35	2.24	1.99	2.05	1.98	0.70	-0.22	-0.23	0.27
165	5.11	4.89	4.41	2.49	2.28	2.32	2.27	0.98	0.22	0.36	0.73
166	5.16	4.94	4.47	2.72	2.55	2.59	2.54	1.26	0.66	0.89	1.14
167	5.21	4.99	4.53	2.94	2.82	2.84	2.80	1.54	1.09	1.35	1.51
168	5.26	5.04	4.59	3.16	3.09	3.08	3.04	1.81	1.49	1.76	1.84
169	5.30	5.09	4.65	3.37	3.36	3.31	3.27	2.09	1.86	2.10	2.13
170	5.34	5.14	4.72	3.58	3.61	3.53	3.47	2.35	2.19	2.38	2.39
171	5.37	5.19	4.78	3.79	3.84	3.73	3.65	2.59	2.48	2.61	2.62
172	5.41	5.24	4.85	3.99	4.06	3.90	3.82	2.82	2.73	2.80	2.83
173	5.45	5.30	4.92	4.17	4.24	4.05	3.95	3.02	2.95	2.97	3.01
174	5.48	5.35	4.98	4.33	4.39	4.18	4.06	3.19	3.13	3.11	3.17
175	5.51	5.40	5.05	4.47	4.50	4.27	4.13	3.34	3.29	3.24	3.31
176	5.55	5.46	5.11	4.59	4.57	4.33	4.18	3.46	3.43	3.36	3.43
177	5.58	5.51	5.17	4.67	4.60	4.37	4.21	3.56	3.55	3.47	3.52
178	5.61	5.56	5.22	4.72	4.59	4.38	4.21	3.64	3.66	3.57	3.59
179	5.64	5.60	5.27	4.74	4.55	4.36	4.20	3.71	3.74	3.64	3.62
180	5.66	5.64	5.31	4.72	4.48	4.32	4.17	3.75	3.80	3.69	3.63
181	5.69	5.68	5.34	4.67	4.39	4.26	4.13	3.79	3.84	3.70	3.60
182	5.71	5.71	5.37	4.60	4.29	4.18	4.09	3.80	3.83	3.68	3.54
183	5.72	5.73	5.39	4.51	4.17	4.09	4.04	3.80	3.78	3.60	3.45
184	5.73	5.75	5.40	4.40	4.06	3.99	3.98	3.76	3.69	3.49	3.33
185	5.74	5.75	5.39	4.27	3.94	3.88	3.92	3.70	3.54	3.33	3.18

186	5.74	5.75	5.38	4.13	3.83	3.75	3.84	3.60	3.34	3.13	3.00
187	5.73	5.73	5.36	3.98	3.72	3.62	3.74	3.46	3.09	2.89	2.79
188	5.72	5.71	5.33	3.83	3.61	3.46	3.62	3.27	2.79	2.62	2.56
189	5.70	5.68	5.28	3.66	3.50	3.28	3.46	3.05	2.44	2.33	2.30
190	5.67	5.63	5.23	3.48	3.37	3.08	3.26	2.78	2.07	2.02	2.02
191	5.63	5.58	5.16	3.29	3.22	2.85	3.02	2.47	1.66	1.70	1.70
192	5.59	5.52	5.09	3.08	3.05	2.59	2.73	2.12	1.24	1.36	1.35
193	5.54	5.45	5.00	2.84	2.84	2.30	2.40	1.75	0.81	1.00	0.96
194	5.48	5.37	4.91	2.57	2.60	1.97	2.03	1.35	0.38	0.63	0.52
195	5.41	5.28	4.81	2.26	2.31	1.62	1.62	0.94	-0.05	0.23	0.03
196	5.34	5.18	4.71	1.91	1.98	1.23	1.17	0.53	-0.48	-0.20	-0.52
197	5.26	5.08	4.59	1.51	1.60	0.81	0.70	0.11	-0.92	-0.67	-1.14
198	5.17	4.97	4.47	1.06	1.17	0.37	0.22	-0.30	-1.36	-1.17	-1.84
199	5.08	4.86	4.35	0.57	0.69	-0.09	-0.26	-0.71	-1.81	-1.71	-2.60
200	4.98	4.75	4.23	0.01	0.17	-0.57	-0.75	-1.12	-2.28	-2.29	-3.45
201	4.88	4.63	4.10	-0.59	-0.40	-1.05	-1.22	-1.54	-2.78	-2.90	-4.38
202	4.78	4.51	3.97	-1.24	-1.00	-1.54	-1.68	-1.97	-3.30	-3.53	-5.37
203	4.67	4.39	3.84	-1.94	-1.64	-2.02	-2.13	-2.43	-3.86	-4.20	-6.44
204	4.56	4.26	3.71	-2.68	-2.29	-2.49	-2.58	-2.92	-4.45	-4.88	-7.56
205	4.44	4.14	3.58	-3.45	-2.95	-2.94	-3.04	-3.45	-5.07	-5.60	-8.73
206	4.33	4.02	3.45	-4.24	-3.60	-3.38	-3.51	-4.03	-5.72	-6.35	-9.93
207	4.21	3.90	3.32	-5.03	-4.23	-3.81	-4.01	-4.66	-6.40	-7.16	-11.15
208	4.09	3.78	3.20	-5.79	-4.82	-4.24	-4.55	-5.32	-7.11	-8.04	-12.38
209	3.97	3.67	3.07	-6.52	-5.36	-4.67	-5.13	-6.02	-7.87	-9.02	-13.60
210	3.85	3.55	2.95	-7.17	-5.84	-5.11	-5.74	-6.74	-8.70	-10.15	-14.79
211	3.73	3.44	2.83	-7.72	-6.27	-5.56	-6.39	-7.48	-9.60	-11.45	-15.91
212	3.61	3.32	2.71	-8.15	-6.64	-6.04	-7.07	-8.22	-10.60	-12.96	-16.86
213	3.48	3.21	2.58	-8.46	-6.96	-6.54	-7.77	-8.95	-11.70	-14.64	-17.50
214	3.35	3.09	2.46	-8.64	-7.25	-7.06	-8.46	-9.67	-12.85	-16.33	-17.65
215	3.22	2.98	2.33	-8.71	-7.52	-7.60	-9.13	-10.38	-13.96	-17.56	-17.28
216	3.08	2.85	2.21	-8.69	-7.77	-8.14	-9.76	-11.05	-14.80	-17.73	-16.47
217	2.94	2.73	2.07	-8.62	-8.02	-8.66	-10.33	-11.66	-15.14	-16.84	-15.44
218	2.80	2.60	1.94	-8.52	-8.25	-9.15	-10.80	-12.16	-14.86	-15.53	-14.35
219	2.65	2.46	1.80	-8.40	-8.47	-9.57	-11.15	-12.49	-14.12	-14.24	-13.30
220	2.49	2.32	1.65	-8.28	-8.66	-9.90	-11.35	-12.59	-13.19	-13.14	-12.34
221	2.32	2.16	1.49	-8.18	-8.81	-10.09	-11.37	-12.42	-12.25	-12.23	-11.49
222	2.14	2.00	1.33	-8.08	-8.88	-10.15	-11.20	-12.01	-11.38	-11.49	-10.75
223	1.95	1.83	1.16	-7.99	-8.88	-10.06	-10.88	-11.43	-10.62	-10.89	-10.11
224	1.75	1.64	0.97	-7.91	-8.77	-9.82	-10.43	-10.75	-9.96	-10.39	-9.56
225	1.54	1.44	0.78	-7.83	-8.56	-9.46	-9.92	-10.05	-9.39	-9.97	-9.10
226	1.31	1.23	0.58	-7.74	-8.26	-9.00	-9.37	-9.37	-8.89	-9.60	-8.71
227	1.07	1.01	0.36	-7.63	-7.89	-8.48	-8.81	-8.73	-8.45	-9.25	-8.39
228	0.81	0.77	0.14	-7.50	-7.47	-7.91	-8.27	-8.15	-8.05	-8.93	-8.11
229	0.54	0.51	-0.10	-7.35	-7.02	-7.32	-7.75	-7.63	-7.67	-8.62	-7.87

230	0.26	0.24	-0.35	-7.16	-6.56	-6.74	-7.24	-7.17	-7.32	-8.32	-7.65
231	-0.05	-0.04	-0.62	-6.94	-6.12	-6.16	-6.76	-6.76	-6.99	-8.02	-7.44
232	-0.36	-0.34	-0.89	-6.70	-5.71	-5.62	-6.30	-6.39	-6.66	-7.73	-7.22
233	-0.70	-0.66	-1.18	-6.44	-5.32	-5.11	-5.86	-6.06	-6.36	-7.45	-6.98
234	-1.04	-0.99	-1.47	-6.16	-4.98	-4.64	-5.44	-5.77	-6.07	-7.17	-6.71
235	-1.41	-1.33	-1.78	-5.88	-4.68	-4.21	-5.05	-5.50	-5.80	-6.90	-6.42
236	-1.78	-1.69	-2.11	-5.59	-4.41	-3.84	-4.68	-5.24	-5.54	-6.64	-6.11
237	-2.17	-2.06	-2.44	-5.30	-4.19	-3.51	-4.33	-5.01	-5.31	-6.40	-5.78
238	-2.57	-2.45	-2.78	-5.02	-4.00	-3.23	-4.02	-4.78	-5.10	-6.18	-5.45
239	-2.98	-2.84	-3.14	-4.75	-3.84	-2.99	-3.73	-4.57	-4.92	-5.98	-5.13
240	-3.41	-3.25	-3.50	-4.50	-3.70	-2.80	-3.48	-4.37	-4.77	-5.79	-4.84
241	-3.83	-3.67	-3.88	-4.27	-3.59	-2.66	-3.26	-4.19	-4.64	-5.63	-4.59
242	-4.26	-4.10	-4.27	-4.06	-3.49	-2.55	-3.08	-4.03	-4.53	-5.48	-4.38
243	-4.70	-4.53	-4.66	-3.88	-3.41	-2.47	-2.94	-3.88	-4.45	-5.36	-4.22
244	-5.13	-4.97	-5.07	-3.73	-3.34	-2.43	-2.83	-3.76	-4.40	-5.26	-4.12
245	-5.56	-5.41	-5.49	-3.62	-3.27	-2.42	-2.76	-3.67	-4.37	-5.19	-4.07
246	-5.99	-5.85	-5.91	-3.53	-3.21	-2.44	-2.73	-3.60	-4.37	-5.14	-4.07
247	-6.40	-6.29	-6.35	-3.47	-3.16	-2.48	-2.74	-3.56	-4.40	-5.12	-4.12
248	-6.80	-6.72	-6.80	-3.45	-3.12	-2.54	-2.78	-3.54	-4.44	-5.13	-4.21
249	-7.19	-7.15	-7.25	-3.46	-3.10	-2.63	-2.85	-3.55	-4.50	-5.15	-4.34
250	-7.56	-7.57	-7.71	-3.50	-3.09	-2.73	-2.94	-3.57	-4.59	-5.20	-4.48
251	-7.91	-7.97	-8.17	-3.56	-3.10	-2.84	-3.07	-3.62	-4.69	-5.26	-4.64
252	-8.25	-8.35	-8.63	-3.66	-3.14	-2.98	-3.21	-3.69	-4.80	-5.33	-4.80
253	-8.56	-8.71	-9.08	-3.78	-3.21	-3.12	-3.38	-3.77	-4.92	-5.41	-4.96
254	-8.85	-9.05	-9.53	-3.93	-3.31	-3.29	-3.57	-3.87	-5.06	-5.51	-5.12
255	-9.13	-9.37	-9.97	-4.11	-3.45	-3.47	-3.77	-4.00	-5.21	-5.62	-5.28
256	-9.40	-9.67	-10.39	-4.30	-3.63	-3.66	-4.00	-4.14	-5.37	-5.74	-5.46
257	-9.65	-9.94	-10.78	-4.52	-3.85	-3.88	-4.25	-4.30	-5.55	-5.88	-5.66
258	-9.90	-10.20	-11.15	-4.77	-4.10	-4.11	-4.53	-4.50	-5.75	-6.05	-5.89
259	-10.14	-10.43	-11.48	-5.03	-4.40	-4.36	-4.83	-4.73	-5.97	-6.25	-6.17
260	-10.39	-10.66	-11.78	-5.31	-4.73	-4.63	-5.17	-4.99	-6.23	-6.49	-6.50
261	-10.64	-10.87	-12.05	-5.60	-5.09	-4.92	-5.52	-5.30	-6.52	-6.78	-6.89
262	-10.89	-11.09	-12.28	-5.90	-5.48	-5.23	-5.89	-5.65	-6.85	-7.10	-7.34
263	-11.16	-11.30	-12.48	-6.20	-5.88	-5.55	-6.26	-6.04	-7.21	-7.47	-7.85
264	-11.44	-11.52	-12.67	-6.49	-6.27	-5.89	-6.61	-6.44	-7.59	-7.85	-8.41
265	-11.74	-11.75	-12.83	-6.75	-6.63	-6.23	-6.92	-6.85	-7.98	-8.23	-8.99
266	-12.04	-11.99	-12.98	-6.99	-6.96	-6.57	-7.16	-7.24	-8.35	-8.57	-9.56
267	-12.36	-12.25	-13.13	-7.20	-7.22	-6.91	-7.34	-7.60	-8.68	-8.85	-10.08
268	-12.69	-12.53	-13.29	-7.37	-7.44	-7.24	-7.46	-7.90	-8.94	-9.05	-10.53
269	-13.02	-12.82	-13.45	-7.53	-7.61	-7.57	-7.55	-8.14	-9.14	-9.17	-10.89
270	-13.34	-13.12	-13.62	-7.68	-7.76	-7.90	-7.63	-8.34	-9.27	-9.24	-11.18
271	-13.64	-13.44	-13.82	-7.83	-7.91	-8.25	-7.75	-8.52	-9.36	-9.30	-11.43
272	-13.92	-13.76	-14.03	-8.02	-8.09	-8.63	-7.93	-8.70	-9.44	-9.38	-11.69
273	-14.15	-14.09	-14.26	-8.26	-8.32	-9.04	-8.21	-8.92	-9.56	-9.51	-11.96

274	-14.34	-14.41	-14.50	-8.56	-8.62	-9.51	-8.60	-9.21	-9.73	-9.73	-12.26
275	-14.46	-14.72	-14.77	-8.95	-8.99	-10.02	-9.13	-9.60	-10.00	-10.05	-12.58
276	-14.51	-15.00	-15.05	-9.43	-9.44	-10.59	-9.79	-10.09	-10.36	-10.46	-12.90
277	-14.50	-15.23	-15.34	-10.02	-9.96	-11.19	-10.59	-10.70	-10.83	-10.97	-13.20
278	-14.42	-15.42	-15.62	-10.71	-10.56	-11.82	-11.53	-11.44	-11.42	-11.58	-13.47
279	-14.29	-15.55	-15.91	-11.50	-11.21	-12.44	-12.59	-12.33	-12.13	-12.26	-13.69
280	-14.13	-15.61	-16.17	-12.38	-11.92	-13.03	-13.72	-13.35	-12.95	-13.01	-13.90
281	-13.94	-15.62	-16.41	-13.32	-12.66	-13.55	-14.84	-14.50	-13.89	-13.82	-14.12
282	-13.74	-15.56	-16.60	-14.27	-13.43	-13.97	-15.84	-15.75	-14.95	-14.67	-14.39
283	-13.54	-15.46	-16.75	-15.15	-14.22	-14.31	-16.58	-17.06	-16.15	-15.57	-14.74
284	-13.35	-15.32	-16.85	-15.88	-15.03	-14.59	-16.96	-18.29	-17.50	-16.55	-15.23
285	-13.19	-15.16	-16.89	-16.40	-15.86	-14.83	-16.99	-19.24	-19.03	-17.64	-15.89
286	-13.05	-14.99	-16.87	-16.68	-16.73	-15.09	-16.79	-19.73	-20.77	-18.90	-16.77
287	-12.95	-14.83	-16.81	-16.79	-17.64	-15.40	-16.51	-19.68	-22.66	-20.42	-17.91
288	-12.88	-14.67	-16.71	-16.81	-18.58	-15.82	-16.26	-19.24	-24.41	-22.35	-19.42
289	-12.85	-14.54	-16.59	-16.83	-19.52	-16.39	-16.11	-18.63	-25.25	-24.90	-21.39
290	-12.87	-14.43	-16.45	-16.92	-20.39	-17.14	-16.11	-18.02	-24.59	-28.31	-24.04
291	-12.92	-14.35	-16.31	-17.11	-21.04	-18.15	-16.28	-17.52	-23.03	-31.82	-27.69
292	-13.02	-14.31	-16.18	-17.44	-21.35	-19.48	-16.65	-17.18	-21.39	-30.89	-32.27
293	-13.17	-14.30	-16.07	-17.92	-21.24	-21.24	-17.27	-17.02	-20.02	-27.36	-33.06
294	-13.36	-14.34	-15.99	-18.55	-20.81	-23.60	-18.16	-17.08	-19.00	-24.61	-29.38
295	-13.59	-14.42	-15.93	-19.28	-20.22	-26.73	-19.39	-17.37	-18.33	-22.75	-26.51
296	-13.87	-14.55	-15.91	-20.05	-19.61	-30.14	-21.08	-17.93	-18.02	-21.58	-24.69
297	-14.18	-14.71	-15.93	-20.73	-19.09	-30.22	-23.43	-18.81	-18.07	-20.98	-23.63
298	-14.53	-14.93	-15.99	-21.17	-18.72	-27.04	-26.86	-20.07	-18.50	-20.87	-23.13
299	-14.91	-15.18	-16.08	-21.25	-18.51	-24.20	-32.63	-21.85	-19.35	-21.25	-23.09
300	-15.30	-15.48	-16.22	-20.98	-18.46	-22.15	-42.14	-24.37	-20.70	-22.16	-23.47
301	-15.71	-15.82	-16.39	-20.50	-18.56	-20.71	-32.80	-28.13	-22.66	-23.69	-24.29
302	-16.12	-16.19	-16.59	-19.98	-18.77	-19.73	-27.63	-34.33	-25.39	-26.05	-25.59
303	-16.51	-16.59	-16.81	-19.53	-19.06	-19.11	-24.72	-37.39	-28.80	-29.63	-27.49
304	-16.86	-17.01	-17.06	-19.21	-19.35	-18.77	-22.89	-30.71	-30.86	-34.31	-30.25
305	-17.17	-17.43	-17.31	-19.03	-19.60	-18.67	-21.71	-26.76	-29.01	-33.56	-34.23
306	-17.41	-17.85	-17.56	-19.01	-19.76	-18.77	-21.00	-24.39	-26.43	-29.08	-38.27
307	-17.59	-18.25	-17.80	-19.13	-19.83	-19.04	-20.62	-22.91	-24.63	-25.92	-35.73
308	-17.71	-18.60	-18.02	-19.38	-19.83	-19.44	-20.52	-22.02	-23.58	-23.84	-31.68
309	-17.76	-18.90	-18.20	-19.72	-19.81	-19.95	-20.62	-21.57	-23.12	-22.46	-28.88
310	-17.78	-19.14	-18.35	-20.13	-19.81	-20.54	-20.87	-21.48	-23.11	-21.57	-26.98
311	-17.77	-19.31	-18.47	-20.57	-19.88	-21.18	-21.22	-21.70	-23.39	-21.06	-25.65
312	-17.76	-19.42	-18.55	-21.01	-20.01	-21.81	-21.61	-22.19	-23.77	-20.86	-24.70
313	-17.76	-19.47	-18.62	-21.39	-20.21	-22.33	-22.02	-22.95	-24.05	-20.94	-23.98
314	-17.78	-19.49	-18.68	-21.67	-20.45	-22.64	-22.40	-23.98	-24.06	-21.29	-23.41
315	-17.83	-19.49	-18.74	-21.77	-20.68	-22.63	-22.75	-25.29	-23.86	-21.95	-22.97
316	-17.93	-19.49	-18.82	-21.64	-20.86	-22.26	-23.04	-26.78	-23.61	-22.99	-22.65
317	-18.07	-19.51	-18.93	-21.27	-20.96	-21.62	-23.23	-28.10	-23.51	-24.55	-22.49

318	-18.26	-19.54	-19.08	-20.71	-20.97	-20.85	-23.26	-28.36	-23.69	-26.90	-22.56
319	-18.50	-19.60	-19.28	-20.05	-20.92	-20.07	-23.08	-27.05	-24.16	-30.43	-22.93
320	-18.78	-19.69	-19.53	-19.38	-20.83	-19.37	-22.64	-24.94	-24.78	-34.10	-23.65
321	-19.08	-19.81	-19.85	-18.77	-20.74	-18.82	-22.00	-22.86	-25.17	-31.25	-24.75
322	-19.39	-19.95	-20.23	-18.27	-20.69	-18.42	-21.26	-21.06	-24.77	-26.70	-26.12
323	-19.69	-20.10	-20.66	-17.91	-20.67	-18.20	-20.52	-19.61	-23.52	-23.44	-27.24
324	-19.94	-20.25	-21.14	-17.70	-20.69	-18.16	-19.87	-18.49	-21.93	-21.13	-27.18
325	-20.12	-20.37	-21.65	-17.62	-20.74	-18.31	-19.35	-17.67	-20.46	-19.49	-25.87
326	-20.20	-20.46	-22.15	-17.66	-20.77	-18.65	-19.00	-17.16	-19.29	-18.35	-24.23
327	-20.16	-20.49	-22.59	-17.78	-20.75	-19.16	-18.82	-16.92	-18.48	-17.63	-22.86
328	-20.00	-20.46	-22.92	-17.91	-20.66	-19.84	-18.82	-16.96	-18.02	-17.27	-21.96
329	-19.76	-20.34	-23.08	-18.00	-20.47	-20.66	-18.98	-17.28	-17.90	-17.25	-21.54
330	-19.44	-20.16	-23.03	-18.01	-20.19	-21.56	-19.27	-17.88	-18.08	-17.57	-21.61
331	-19.09	-19.93	-22.80	-17.92	-19.83	-22.42	-19.64	-18.76	-18.53	-18.23	-22.16
332	-18.74	-19.65	-22.40	-17.78	-19.44	-23.09	-20.05	-19.91	-19.15	-19.24	-23.18
333	-18.40	-19.35	-21.89	-17.64	-19.06	-23.40	-20.44	-21.26	-19.83	-20.64	-24.65
334	-18.09	-19.05	-21.34	-17.57	-18.72	-23.30	-20.75	-22.68	-20.40	-22.44	-26.41
335	-17.84	-18.76	-20.78	-17.63	-18.46	-22.89	-20.99	-23.86	-20.71	-24.60	-27.96
336	-17.63	-18.49	-20.24	-17.87	-18.29	-22.34	-21.18	-24.43	-20.78	-26.75	-28.47
337	-17.49	-18.26	-19.75	-18.34	-18.25	-21.79	-21.35	-24.30	-20.72	-27.95	-27.88
338	-17.41	-18.07	-19.31	-19.06	-18.34	-21.32	-21.54	-23.74	-20.71	-27.53	-26.93
339	-17.39	-17.92	-18.93	-20.09	-18.56	-20.97	-21.76	-23.09	-20.88	-26.29	-26.16
340	-17.44	-17.82	-18.61	-21.45	-18.94	-20.77	-22.03	-22.51	-21.32	-25.11	-25.74
341	-17.55	-17.76	-18.35	-23.19	-19.48	-20.71	-22.30	-22.05	-22.05	-24.25	-25.63
342	-17.73	-17.76	-18.15	-25.33	-20.17	-20.80	-22.58	-21.71	-23.04	-23.70	-25.78
343	-17.97	-17.81	-18.02	-27.81	-21.02	-21.03	-22.84	-21.47	-24.19	-23.40	-26.11
344	-18.27	-17.92	-17.94	-30.27	-22.03	-21.40	-23.10	-21.33	-25.26	-23.28	-26.53
345	-18.63	-18.08	-17.93	-31.93	-23.21	-21.93	-23.43	-21.27	-25.95	-23.24	-27.00
346	-19.05	-18.31	-17.99	-32.44	-24.58	-22.62	-23.89	-21.30	-26.07	-23.20	-27.45
347	-19.53	-18.61	-18.12	-32.59	-26.18	-23.51	-24.55	-21.45	-25.74	-23.09	-27.73
348	-20.07	-18.99	-18.32	-33.21	-28.14	-24.64	-25.48	-21.70	-25.21	-22.88	-27.66
349	-20.69	-19.45	-18.60	-34.87	-30.69	-26.07	-26.70	-22.03	-24.68	-22.54	-27.10
350	-21.38	-20.01	-18.98	-38.14	-34.35	-27.86	-28.16	-22.40	-24.17	-22.10	-26.14
351	-22.14	-20.69	-19.46	-42.56	-40.66	-29.94	-29.51	-22.72	-23.67	-21.61	-25.00
352	-23.00	-21.52	-20.07	-39.38	-46.46	-31.77	-30.00	-22.91	-23.18	-21.09	-23.91
353	-23.94	-22.54	-20.81	-34.42	-37.55	-31.94	-29.22	-22.92	-22.69	-20.62	-23.00
354	-24.97	-23.80	-21.74	-31.26	-32.89	-30.30	-27.74	-22.73	-22.24	-20.22	-22.34
355	-26.03	-25.37	-22.89	-29.34	-30.15	-28.25	-26.26	-22.44	-21.90	-19.95	-21.94
356	-27.01	-27.37	-24.34	-28.31	-28.44	-26.54	-25.05	-22.11	-21.69	-19.83	-21.81
357	-27.69	-29.95	-26.21	-28.03	-27.44	-25.28	-24.16	-21.82	-21.64	-19.88	-21.96
358	-27.77	-32.99	-28.75	-28.47	-27.02	-24.46	-23.58	-21.62	-21.79	-20.13	-22.38
359	-27.14	-34.46	-32.51	-29.68	-27.12	-24.04	-23.28	-21.55	-22.12	-20.60	-23.08
Vertical											
0	-26.00	-32.12	-39.51	-31.73	-27.72	-23.98	-23.24	-21.62	-22.65	-21.28	-24.08

1	-29.58	-41.45	-29.73	-31.93	-28.33	-23.20	-24.76	-22.76	-25.13	-22.37	-24.67
2	-34.51	-29.93	-25.33	-36.45	-30.30	-23.60	-27.75	-24.67	-28.23	-23.75	-26.24
3	-31.72	-25.15	-23.33	-46.02	-30.67	-24.34	-30.74	-25.24	-28.63	-24.91	-29.41
4	-26.89	-22.88	-22.80	-33.36	-27.70	-24.17	-29.74	-23.66	-27.10	-25.32	-32.10
5	-23.92	-21.98	-23.40	-27.68	-24.56	-22.96	-26.85	-22.34	-26.65	-25.24	-28.69
6	-22.19	-22.02	-24.96	-24.09	-22.29	-21.83	-24.59	-22.30	-27.76	-25.29	-25.49
7	-21.36	-22.77	-27.43	-21.68	-20.99	-21.42	-23.34	-23.70	-30.19	-25.56	-23.94
8	-21.27	-23.90	-30.22	-20.32	-20.76	-21.89	-23.23	-26.44	-32.40	-25.59	-23.35
9	-21.80	-24.69	-29.64	-20.11	-21.76	-23.29	-24.28	-29.00	-31.63	-25.10	-23.12
10	-22.60	-24.12	-25.67	-21.17	-24.10	-25.58	-25.72	-28.31	-29.49	-24.51	-23.10
11	-22.84	-22.42	-22.25	-23.81	-26.90	-27.95	-25.35	-26.44	-27.93	-24.37	-23.56
12	-21.86	-20.64	-19.98	-28.29	-26.68	-27.56	-23.44	-25.34	-27.24	-24.92	-24.70
13	-20.26	-19.38	-18.75	-30.84	-24.63	-24.96	-22.08	-25.09	-27.25	-25.97	-26.07
14	-18.89	-18.80	-18.44	-27.77	-23.57	-22.85	-21.84	-25.46	-27.28	-26.51	-25.53
15	-18.08	-18.95	-18.91	-25.88	-23.74	-21.82	-22.65	-25.98	-26.46	-25.64	-22.89
16	-17.87	-19.85	-20.00	-25.86	-24.91	-21.91	-24.23	-25.87	-25.13	-24.39	-20.67
17	-18.26	-21.46	-21.34	-27.48	-26.74	-23.12	-26.04	-25.02	-24.30	-23.93	-19.86
18	-19.22	-23.54	-22.44	-30.72	-28.92	-25.46	-27.37	-24.38	-24.45	-24.70	-20.68
19	-20.75	-25.25	-23.13	-35.51	-31.18	-28.60	-28.08	-24.74	-25.65	-26.95	-23.26
20	-22.82	-25.62	-23.75	-39.01	-33.33	-31.20	-28.78	-26.56	-27.59	-30.80	-26.37
21	-25.09	-25.12	-24.72	-36.46	-34.72	-32.50	-30.18	-30.12	-29.40	-35.22	-26.02
22	-26.39	-24.78	-26.31	-32.36	-33.98	-34.37	-33.03	-33.18	-30.54	-36.23	-24.87
23	-25.95	-25.10	-28.86	-28.87	-31.64	-38.94	-38.90	-31.31	-32.07	-35.98	-25.75
24	-25.16	-26.40	-33.41	-26.46	-29.47	-49.43	-51.60	-29.71	-35.76	-37.01	-28.81
25	-25.33	-29.34	-41.07	-25.20	-28.03	-42.98	-39.50	-30.19	-46.52	-36.63	-30.98
26	-27.25	-36.58	-33.54	-25.08	-27.25	-38.73	-35.73	-32.68	-41.98	-33.24	-28.98
27	-32.79	-41.09	-28.11	-26.16	-26.96	-37.37	-35.26	-36.16	-35.16	-30.68	-27.85
28	-46.19	-29.57	-25.38	-28.68	-27.24	-36.94	-37.65	-36.62	-32.97	-30.17	-28.85
29	-29.47	-25.13	-24.21	-33.65	-28.54	-37.06	-46.10	-35.17	-33.11	-32.23	-32.04
30	-24.57	-22.89	-24.20	-47.37	-31.96	-38.37	-42.63	-34.22	-35.39	-37.89	-35.98
31	-22.32	-21.93	-25.07	-36.49	-40.80	-42.74	-34.48	-32.99	-39.84	-37.70	-35.91
32	-21.52	-21.92	-26.43	-30.24	-34.78	-47.60	-30.93	-31.50	-40.13	-33.58	-37.85
33	-21.67	-22.66	-27.65	-27.16	-28.14	-35.39	-29.47	-30.87	-37.12	-34.23	-47.46
34	-22.42	-23.93	-28.12	-25.54	-24.94	-29.30	-29.58	-31.93	-37.20	-35.84	-28.86
35	-23.31	-25.44	-27.84	-24.93	-23.34	-25.75	-31.36	-34.66	-36.83	-28.03	-22.29
36	-23.96	-26.73	-27.10	-25.16	-22.68	-23.91	-35.49	-32.96	-30.16	-22.58	-18.70
37	-24.20	-27.11	-26.24	-26.01	-22.58	-23.52	-36.86	-27.62	-24.78	-19.46	-16.94
38	-23.91	-26.12	-25.71	-26.77	-22.77	-24.55	-30.47	-23.90	-21.30	-17.84	-16.62
39	-22.95	-24.41	-26.02	-26.46	-23.11	-26.75	-26.33	-21.62	-19.14	-17.34	-17.52
40	-21.63	-22.96	-27.73	-25.48	-23.62	-28.19	-24.13	-20.38	-17.93	-17.61	-18.74
41	-20.51	-22.30	-31.50	-25.03	-24.44	-26.65	-23.33	-19.88	-17.43	-18.08	-18.15
42	-19.97	-22.68	-31.54	-25.73	-25.55	-24.62	-23.62	-19.88	-17.46	-17.95	-16.11
43	-20.14	-24.16	-25.22	-27.85	-26.53	-23.45	-24.57	-20.21	-17.94	-17.17	-14.64
44	-20.89	-25.70	-20.76	-31.27	-26.57	-23.09	-25.37	-20.77	-18.83	-16.50	-14.26

45	-21.67	-24.05	-17.87	-34.21	-25.77	-23.43	-25.43	-21.63	-20.10	-16.50	-14.76
46	-21.63	-20.66	-16.03	-35.54	-25.01	-24.58	-25.13	-22.95	-21.59	-17.23	-15.44
47	-20.70	-18.05	-15.02	-39.84	-24.81	-26.58	-25.05	-24.90	-22.88	-18.34	-15.43
48	-19.71	-16.50	-14.73	-50.22	-25.41	-28.27	-25.35	-27.54	-23.47	-19.20	-14.87
49	-19.23	-15.87	-15.12	-34.34	-27.14	-27.16	-26.04	-30.27	-23.39	-19.51	-14.50
50	-19.39	-16.08	-16.16	-29.84	-30.70	-25.03	-27.13	-31.05	-23.17	-19.59	-14.69
51	-20.15	-17.06	-17.76	-28.72	-35.45	-23.89	-28.59	-29.57	-23.15	-19.77	-15.31
52	-21.40	-18.78	-19.64	-30.36	-31.26	-24.02	-30.02	-27.86	-23.39	-20.00	-16.00
53	-22.94	-21.07	-21.06	-35.99	-27.04	-25.43	-30.88	-26.60	-23.72	-20.08	-16.30
54	-24.49	-23.41	-21.32	-39.84	-25.29	-28.23	-30.91	-25.68	-23.82	-19.96	-16.07
55	-25.67	-24.68	-20.75	-32.08	-25.45	-32.91	-29.77	-24.93	-23.51	-19.78	-15.66
56	-26.24	-24.29	-20.02	-28.78	-27.20	-40.04	-27.97	-24.44	-23.03	-19.78	-15.54
57	-26.29	-22.97	-19.42	-27.03	-29.50	-40.04	-26.80	-24.55	-22.88	-20.10	-16.03
58	-26.08	-21.45	-19.02	-25.29	-29.68	-36.68	-27.08	-25.71	-23.49	-20.72	-17.30
59	-25.76	-20.10	-18.83	-23.46	-28.67	-36.51	-29.51	-28.61	-25.22	-21.57	-19.30
60	-25.34	-19.13	-18.91	-22.19	-29.04	-39.79	-35.65	-35.13	-28.54	-22.77	-21.50
61	-24.83	-18.64	-19.28	-21.90	-31.75	-43.60	-40.29	-51.91	-33.44	-24.73	-22.84
62	-24.37	-18.62	-19.93	-22.73	-37.72	-36.02	-34.08	-34.58	-33.05	-27.69	-23.15
63	-24.14	-18.97	-20.79	-24.77	-37.77	-31.50	-32.18	-30.51	-29.09	-29.01	-23.43
64	-23.97	-19.40	-21.77	-28.09	-32.20	-29.41	-30.04	-28.00	-26.61	-26.02	-24.15
65	-23.14	-19.54	-22.76	-31.66	-28.85	-28.68	-25.94	-25.53	-24.96	-23.19	-25.03
66	-21.16	-19.21	-23.60	-30.52	-26.33	-28.04	-22.63	-23.44	-23.52	-21.64	-25.39
67	-18.72	-18.59	-24.14	-26.93	-24.35	-26.36	-20.89	-22.20	-22.18	-21.08	-24.61
68	-16.59	-18.00	-24.19	-24.37	-23.13	-24.27	-20.69	-21.81	-21.17	-21.08	-22.92
69	-15.04	-17.66	-23.67	-23.06	-22.88	-22.84	-22.05	-21.80	-20.59	-21.02	-21.11
70	-14.11	-17.62	-22.67	-22.89	-23.66	-22.47	-24.88	-21.41	-20.35	-20.47	-19.87
71	-13.78	-17.83	-21.39	-23.74	-25.23	-23.31	-26.81	-20.43	-20.22	-19.73	-19.58
72	-13.97	-18.12	-20.01	-25.44	-26.41	-25.39	-24.51	-19.53	-20.11	-19.42	-20.49
73	-14.57	-18.21	-18.68	-27.64	-26.00	-28.28	-22.06	-19.30	-20.18	-19.89	-22.64
74	-15.35	-17.90	-17.54	-30.05	-25.25	-29.35	-21.01	-19.97	-20.74	-21.23	-25.34
75	-15.94	-17.19	-16.67	-32.92	-25.56	-27.60	-21.24	-21.65	-22.01	-23.20	-26.39
76	-16.03	-16.34	-16.15	-35.49	-27.42	-26.02	-22.58	-24.47	-23.97	-25.16	-25.45
77	-15.68	-15.57	-16.04	-33.03	-30.62	-25.53	-24.86	-28.54	-26.20	-25.80	-23.20
78	-15.20	-15.01	-16.35	-29.52	-32.28	-26.21	-27.84	-33.77	-27.87	-24.14	-20.14
79	-14.86	-14.71	-17.06	-28.07	-31.55	-28.39	-31.68	-38.60	-28.79	-21.42	-17.54
80	-14.75	-14.64	-18.07	-29.41	-32.71	-33.71	-39.47	-40.53	-29.05	-19.23	-16.02
81	-14.84	-14.77	-19.14	-37.17	-35.52	-48.40	-37.91	-36.27	-27.75	-18.09	-15.63
82	-15.04	-15.02	-19.95	-33.24	-29.25	-29.92	-28.32	-30.56	-25.19	-18.10	-16.31
83	-15.23	-15.35	-20.23	-24.06	-23.64	-24.12	-23.72	-26.65	-22.69	-19.16	-18.07
84	-15.33	-15.69	-20.01	-19.86	-20.40	-21.00	-21.24	-24.36	-20.80	-20.95	-21.17
85	-15.33	-16.07	-19.55	-17.74	-18.76	-19.42	-20.25	-23.38	-19.66	-22.74	-26.05
86	-15.32	-16.50	-19.12	-16.89	-18.27	-19.04	-20.56	-23.42	-19.38	-23.94	-29.73
87	-15.43	-17.06	-18.92	-16.68	-18.53	-19.62	-21.97	-23.79	-20.10	-25.13	-27.23
88	-15.79	-17.82	-19.11	-16.37	-18.75	-20.46	-23.24	-23.25	-21.84	-26.88	-26.18

89	-16.47	-18.83	-19.84	-15.64	-18.07	-20.14	-21.89	-21.55	-23.34	-27.92	-27.92
90	-17.53	-20.05	-21.24	-14.85	-16.68	-18.45	-19.23	-19.71	-21.77	-25.58	-33.52
91	-18.92	-21.33	-23.51	-14.46	-15.40	-16.75	-17.17	-18.30	-18.88	-21.66	-43.25
92	-20.49	-22.35	-27.04	-14.59	-14.61	-15.68	-15.92	-17.33	-16.71	-18.15	-27.06
93	-21.80	-22.85	-33.00	-15.11	-14.31	-15.25	-15.27	-16.62	-15.36	-15.43	-19.99
94	-22.26	-22.98	-40.76	-15.64	-14.33	-15.34	-15.05	-16.01	-14.59	-13.54	-15.56
95	-21.80	-23.08	-31.08	-15.77	-14.50	-15.75	-15.12	-15.38	-14.13	-12.39	-12.81
96	-20.86	-23.26	-25.21	-15.22	-14.56	-16.27	-15.40	-14.72	-13.81	-11.84	-11.34
97	-19.79	-23.10	-21.13	-14.11	-14.29	-16.66	-15.79	-14.08	-13.52	-11.72	-10.83
98	-18.59	-21.82	-17.93	-12.84	-13.60	-16.69	-16.03	-13.54	-13.21	-11.81	-10.95
99	-17.12	-19.37	-15.31	-11.73	-12.65	-16.28	-15.92	-13.17	-12.88	-11.88	-11.23
100	-15.36	-16.53	-13.12	-10.93	-11.71	-15.62	-15.44	-13.01	-12.57	-11.74	-11.24
101	-13.43	-13.86	-11.29	-10.41	-10.94	-14.97	-14.79	-13.08	-12.33	-11.37	-10.77
102	-11.54	-11.54	-9.77	-10.10	-10.42	-14.55	-14.19	-13.37	-12.25	-10.92	-10.06
103	-9.82	-9.58	-8.52	-9.87	-10.13	-14.44	-13.85	-13.88	-12.39	-10.58	-9.49
104	-8.32	-7.96	-7.52	-9.66	-10.02	-14.68	-13.91	-14.62	-12.81	-10.58	-9.39
105	-7.05	-6.65	-6.72	-9.45	-10.00	-15.22	-14.42	-15.63	-13.54	-11.02	-9.87
106	-6.00	-5.61	-6.08	-9.26	-9.97	-15.89	-15.33	-16.94	-14.51	-11.91	-10.79
107	-5.12	-4.82	-5.57	-9.15	-9.86	-16.39	-16.39	-18.38	-15.49	-12.85	-11.60
108	-4.39	-4.23	-5.14	-9.10	-9.62	-16.41	-17.08	-19.14	-15.87	-13.05	-11.52
109	-3.79	-3.82	-4.77	-9.05	-9.19	-15.80	-16.86	-18.22	-15.15	-12.16	-10.48
110	-3.32	-3.55	-4.46	-8.88	-8.57	-14.62	-15.74	-16.18	-13.70	-10.87	-9.20
111	-2.98	-3.40	-4.20	-8.48	-7.79	-13.16	-14.20	-14.07	-12.17	-9.72	-8.17
112	-2.76	-3.34	-4.00	-7.85	-7.01	-11.74	-12.68	-12.24	-10.81	-8.83	-7.56
113	-2.66	-3.32	-3.85	-7.07	-6.31	-10.59	-11.40	-10.68	-9.65	-8.13	-7.30
114	-2.64	-3.30	-3.75	-6.23	-5.74	-9.73	-10.37	-9.35	-8.61	-7.55	-7.21
115	-2.66	-3.25	-3.67	-5.39	-5.27	-9.07	-9.56	-8.21	-7.67	-7.03	-7.07
116	-2.66	-3.11	-3.61	-4.57	-4.84	-8.45	-8.89	-7.26	-6.82	-6.54	-6.74
117	-2.59	-2.90	-3.54	-3.79	-4.42	-7.77	-8.27	-6.51	-6.10	-6.06	-6.25
118	-2.41	-2.60	-3.44	-3.06	-3.99	-7.03	-7.65	-5.95	-5.56	-5.58	-5.76
119	-2.13	-2.27	-3.31	-2.39	-3.54	-6.29	-7.03	-5.59	-5.22	-5.15	-5.41
120	-1.77	-1.93	-3.15	-1.79	-3.07	-5.66	-6.48	-5.35	-5.06	-4.79	-5.25
121	-1.38	-1.63	-2.97	-1.29	-2.58	-5.20	-6.03	-5.17	-5.05	-4.51	-5.21
122	-1.02	-1.39	-2.80	-0.90	-2.09	-4.88	-5.73	-4.96	-5.08	-4.32	-5.15
123	-0.71	-1.23	-2.66	-0.61	-1.62	-4.62	-5.52	-4.65	-5.00	-4.16	-4.93
124	-0.48	-1.15	-2.55	-0.41	-1.20	-4.28	-5.33	-4.24	-4.71	-3.96	-4.47
125	-0.32	-1.11	-2.45	-0.22	-0.85	-3.77	-5.04	-3.74	-4.18	-3.67	-3.82
126	-0.23	-1.07	-2.34	0.00	-0.54	-3.07	-4.59	-3.20	-3.50	-3.28	-3.12
127	-0.15	-1.00	-2.20	0.31	-0.24	-2.28	-3.97	-2.66	-2.79	-2.82	-2.50
128	-0.06	-0.86	-1.97	0.72	0.10	-1.51	-3.25	-2.16	-2.15	-2.31	-2.03
129	0.09	-0.63	-1.67	1.19	0.51	-0.84	-2.50	-1.71	-1.64	-1.79	-1.71
130	0.31	-0.31	-1.29	1.69	1.00	-0.30	-1.79	-1.27	-1.27	-1.33	-1.49
131	0.60	0.06	-0.85	2.13	1.51	0.12	-1.16	-0.82	-0.99	-1.00	-1.30
132	0.93	0.44	-0.40	2.47	1.98	0.50	-0.60	-0.37	-0.74	-0.82	-1.10



133	1.29	0.80	0.03	2.70	2.34	0.89	-0.08	0.05	-0.51	-0.77	-0.89
134	1.63	1.10	0.41	2.83	2.55	1.31	0.42	0.40	-0.29	-0.77	-0.69
135	1.94	1.35	0.73	2.91	2.64	1.74	0.89	0.65	-0.13	-0.75	-0.54
136	2.21	1.55	0.99	2.95	2.65	2.12	1.32	0.81	-0.05	-0.67	-0.45
137	2.45	1.71	1.20	3.00	2.66	2.39	1.68	0.92	-0.02	-0.53	-0.42
138	2.66	1.88	1.38	3.06	2.75	2.56	1.93	1.02	-0.03	-0.36	-0.42
139	2.85	2.06	1.55	3.14	2.92	2.63	2.09	1.13	-0.01	-0.22	-0.40
140	3.02	2.26	1.72	3.24	3.14	2.65	2.15	1.26	0.07	-0.12	-0.32
141	3.17	2.50	1.90	3.34	3.34	2.66	2.14	1.39	0.22	-0.05	-0.15
142	3.31	2.75	2.10	3.47	3.44	2.69	2.10	1.49	0.42	0.05	0.10
143	3.42	3.01	2.30	3.62	3.43	2.73	2.07	1.56	0.65	0.19	0.41
144	3.52	3.25	2.51	3.81	3.34	2.75	2.07	1.62	0.87	0.38	0.71
145	3.60	3.48	2.73	4.04	3.25	2.74	2.13	1.69	1.06	0.57	0.94
146	3.67	3.68	2.96	4.28	3.23	2.71	2.24	1.80	1.22	0.72	1.06
147	3.74	3.85	3.20	4.51	3.32	2.70	2.40	1.98	1.35	0.79	1.05
148	3.81	4.00	3.46	4.69	3.50	2.75	2.58	2.21	1.43	0.75	0.93
149	3.88	4.11	3.71	4.84	3.71	2.87	2.76	2.43	1.47	0.62	0.72
150	3.94	4.20	3.94	4.96	3.91	3.06	2.93	2.62	1.47	0.42	0.48
151	4.01	4.26	4.14	5.08	4.08	3.29	3.09	2.74	1.44	0.21	0.26
152	4.06	4.30	4.28	5.24	4.26	3.52	3.25	2.78	1.41	0.01	0.07
153	4.11	4.32	4.36	5.44	4.48	3.75	3.41	2.77	1.40	-0.12	-0.08
154	4.14	4.32	4.38	5.67	4.74	3.98	3.57	2.75	1.44	-0.16	-0.19
155	4.18	4.33	4.36	5.89	5.03	4.22	3.72	2.73	1.51	-0.10	-0.26
156	4.23	4.34	4.32	6.06	5.30	4.46	3.83	2.72	1.58	0.04	-0.31
157	4.30	4.37	4.30	6.18	5.51	4.68	3.90	2.74	1.65	0.22	-0.31
158	4.39	4.42	4.30	6.24	5.67	4.87	3.91	2.79	1.69	0.40	-0.27
159	4.49	4.49	4.34	6.24	5.80	5.01	3.90	2.87	1.73	0.59	-0.14
160	4.58	4.56	4.42	6.19	5.92	5.13	3.92	2.99	1.82	0.77	0.07
161	4.65	4.61	4.50	6.12	6.05	5.26	3.99	3.15	1.99	0.98	0.37
162	4.69	4.65	4.57	6.03	6.17	5.40	4.14	3.33	2.24	1.23	0.71
163	4.69	4.65	4.60	5.91	6.25	5.54	4.33	3.49	2.51	1.50	1.04
164	4.67	4.64	4.59	5.77	6.25	5.64	4.53	3.61	2.74	1.75	1.27
165	4.64	4.62	4.54	5.62	6.15	5.68	4.66	3.66	2.87	1.96	1.36
166	4.63	4.61	4.49	5.48	5.96	5.62	4.71	3.64	2.87	2.10	1.30
167	4.65	4.64	4.46	5.35	5.73	5.50	4.65	3.55	2.76	2.17	1.18
168	4.71	4.70	4.46	5.25	5.51	5.35	4.52	3.45	2.60	2.20	1.11
169	4.81	4.79	4.53	5.16	5.36	5.23	4.37	3.37	2.47	2.22	1.20
170	4.94	4.91	4.63	5.05	5.27	5.19	4.26	3.33	2.44	2.26	1.50
171	5.06	5.04	4.77	4.91	5.20	5.20	4.20	3.34	2.52	2.32	1.95
172	5.16	5.16	4.91	4.72	5.10	5.18	4.19	3.39	2.69	2.40	2.42
173	5.24	5.26	5.03	4.49	4.93	5.09	4.21	3.44	2.89	2.51	2.80
174	5.29	5.35	5.12	4.28	4.70	4.88	4.20	3.47	3.09	2.64	3.04
175	5.32	5.41	5.17	4.14	4.46	4.60	4.17	3.49	3.26	2.82	3.16
176	5.35	5.46	5.20	4.10	4.27	4.31	4.12	3.50	3.40	3.03	3.23

177	5.40	5.50	5.22	4.17	4.17	4.11	4.08	3.52	3.53	3.26	3.31
178	5.47	5.54	5.24	4.33	4.19	4.05	4.06	3.56	3.65	3.47	3.43
179	5.56	5.59	5.27	4.53	4.30	4.14	4.09	3.64	3.74	3.61	3.55
180	5.66	5.64	5.31	4.72	4.48	4.32	4.17	3.75	3.80	3.69	3.63
181	5.77	5.70	5.36	4.87	4.70	4.51	4.30	3.90	3.83	3.71	3.64
182	5.87	5.75	5.42	4.95	4.92	4.67	4.45	4.08	3.86	3.72	3.60
183	5.95	5.80	5.48	4.97	5.12	4.81	4.64	4.30	3.91	3.75	3.57
184	6.00	5.85	5.54	4.93	5.27	4.93	4.82	4.52	4.02	3.84	3.60
185	6.04	5.90	5.59	4.85	5.35	5.04	5.00	4.74	4.19	3.98	3.72
186	6.07	5.95	5.64	4.78	5.34	5.10	5.14	4.91	4.40	4.14	3.91
187	6.11	6.01	5.67	4.75	5.27	5.12	5.23	5.04	4.60	4.31	4.12
188	6.14	6.06	5.69	4.77	5.20	5.08	5.24	5.10	4.76	4.47	4.34
189	6.19	6.12	5.70	4.84	5.17	5.01	5.21	5.10	4.86	4.61	4.52
190	6.23	6.18	5.71	4.93	5.22	4.97	5.15	5.08	4.90	4.69	4.66
191	6.26	6.23	5.73	4.99	5.35	5.01	5.12	5.06	4.91	4.72	4.75
192	6.26	6.25	5.75	5.00	5.50	5.14	5.14	5.07	4.91	4.67	4.77
193	6.23	6.25	5.77	4.97	5.60	5.31	5.23	5.12	4.94	4.58	4.73
194	6.16	6.21	5.78	4.94	5.62	5.46	5.35	5.20	5.00	4.51	4.62
195	6.04	6.12	5.76	4.98	5.58	5.55	5.48	5.27	5.08	4.49	4.48
196	5.89	5.98	5.69	5.11	5.54	5.58	5.58	5.33	5.17	4.54	4.35
197	5.71	5.80	5.57	5.33	5.57	5.59	5.65	5.35	5.25	4.64	4.24
198	5.54	5.61	5.40	5.55	5.69	5.63	5.71	5.36	5.31	4.73	4.19
199	5.38	5.41	5.20	5.71	5.87	5.75	5.77	5.39	5.35	4.77	4.18
200	5.25	5.23	4.98	5.76	6.05	5.92	5.85	5.44	5.38	4.76	4.19
201	5.14	5.09	4.79	5.69	6.15	6.09	5.94	5.52	5.40	4.72	4.21
202	5.05	4.97	4.64	5.52	6.12	6.19	5.99	5.59	5.41	4.68	4.21
203	4.96	4.88	4.55	5.34	5.99	6.20	5.99	5.63	5.40	4.66	4.19
204	4.83	4.76	4.48	5.18	5.80	6.11	5.92	5.58	5.34	4.65	4.16
205	4.66	4.61	4.41	5.08	5.62	5.96	5.80	5.45	5.23	4.60	4.14
206	4.42	4.41	4.29	5.02	5.47	5.80	5.67	5.25	5.05	4.51	4.12
207	4.14	4.14	4.09	4.95	5.38	5.67	5.54	5.03	4.82	4.36	4.10
208	3.84	3.83	3.80	4.84	5.29	5.57	5.45	4.85	4.57	4.20	4.05
209	3.56	3.51	3.44	4.70	5.16	5.45	5.38	4.71	4.34	4.05	3.96
210	3.34	3.23	3.04	4.54	4.97	5.29	5.28	4.60	4.17	3.94	3.82
211	3.21	3.02	2.67	4.40	4.73	5.05	5.10	4.47	4.03	3.87	3.66
212	3.16	2.91	2.41	4.31	4.50	4.74	4.84	4.28	3.88	3.79	3.51
213	3.17	2.90	2.28	4.27	4.33	4.43	4.50	4.00	3.70	3.67	3.38
214	3.21	2.94	2.27	4.25	4.25	4.18	4.15	3.67	3.45	3.48	3.25
215	3.25	2.99	2.34	4.23	4.26	4.04	3.87	3.35	3.16	3.24	3.06
216	3.25	3.03	2.44	4.19	4.30	4.01	3.71	3.11	2.88	3.00	2.81
217	3.21	3.04	2.52	4.12	4.31	4.02	3.64	2.99	2.68	2.80	2.52
218	3.14	3.01	2.56	4.04	4.25	3.99	3.62	2.94	2.56	2.68	2.30
219	3.06	2.96	2.55	3.94	4.13	3.89	3.55	2.89	2.49	2.65	2.19
220	2.99	2.89	2.51	3.86	3.98	3.68	3.40	2.77	2.40	2.64	2.19

221	2.94	2.83	2.46	3.81	3.86	3.43	3.17	2.55	2.22	2.59	2.21
222	2.92	2.76	2.38	3.80	3.82	3.22	2.93	2.26	1.95	2.45	2.12
223	2.91	2.69	2.29	3.82	3.84	3.12	2.73	1.94	1.58	2.23	1.88
224	2.90	2.61	2.18	3.83	3.87	3.14	2.63	1.65	1.20	1.95	1.53
225	2.88	2.52	2.03	3.78	3.85	3.20	2.59	1.40	0.84	1.68	1.20
226	2.84	2.43	1.88	3.64	3.74	3.20	2.52	1.18	0.52	1.46	1.02
227	2.78	2.35	1.75	3.43	3.54	3.09	2.34	0.92	0.23	1.28	1.00
228	2.70	2.29	1.67	3.18	3.30	2.87	2.03	0.58	-0.07	1.09	1.03
229	2.61	2.27	1.67	3.00	3.11	2.61	1.63	0.19	-0.40	0.82	0.96
230	2.50	2.28	1.76	2.92	3.04	2.42	1.24	-0.20	-0.77	0.44	0.70
231	2.38	2.27	1.88	2.91	3.05	2.36	0.97	-0.51	-1.13	-0.02	0.28
232	2.23	2.23	1.99	2.84	3.05	2.37	0.82	-0.72	-1.46	-0.48	-0.18
233	2.02	2.12	2.03	2.59	2.90	2.32	0.72	-0.89	-1.78	-0.87	-0.48
234	1.77	1.92	1.94	2.06	2.51	2.08	0.53	-1.13	-2.16	-1.16	-0.53
235	1.47	1.64	1.71	1.24	1.83	1.58	0.12	-1.53	-2.69	-1.42	-0.44
236	1.17	1.31	1.38	0.24	0.92	0.84	-0.54	-2.16	-3.42	-1.76	-0.43
237	0.94	1.01	1.01	-0.61	-0.04	0.01	-1.38	-3.00	-4.33	-2.26	-0.68
238	0.82	0.83	0.73	-0.93	-0.75	-0.65	-2.20	-3.91	-5.28	-2.95	-1.29
239	0.85	0.84	0.63	-0.68	-0.96	-0.90	-2.71	-4.70	-6.07	-3.73	-2.19
240	1.02	1.03	0.77	-0.24	-0.75	-0.76	-2.77	-5.19	-6.49	-4.38	-3.14
241	1.26	1.34	1.08	0.01	-0.46	-0.52	-2.55	-5.38	-6.46	-4.66	-3.81
242	1.49	1.67	1.43	-0.12	-0.37	-0.44	-2.33	-5.42	-6.18	-4.56	-4.04
243	1.62	1.91	1.71	-0.69	-0.62	-0.65	-2.31	-5.51	-5.91	-4.30	-3.95
244	1.61	1.98	1.81	-1.60	-1.22	-1.15	-2.55	-5.73	-5.83	-4.14	-3.76
245	1.39	1.84	1.68	-2.56	-2.01	-1.82	-2.98	-6.09	-6.00	-4.18	-3.61
246	0.96	1.45	1.28	-3.18	-2.78	-2.46	-3.48	-6.53	-6.38	-4.39	-3.56
247	0.30	0.81	0.63	-3.29	-3.28	-2.93	-3.95	-6.97	-6.87	-4.68	-3.64
248	-0.58	-0.08	-0.26	-3.14	-3.53	-3.25	-4.38	-7.39	-7.37	-4.99	-3.89
249	-1.64	-1.16	-1.32	-3.08	-3.76	-3.62	-4.85	-7.84	-7.87	-5.35	-4.38
250	-2.81	-2.37	-2.47	-3.39	-4.21	-4.25	-5.54	-8.46	-8.45	-5.90	-5.13
251	-4.00	-3.61	-3.61	-4.21	-5.10	-5.32	-6.62	-9.40	-9.30	-6.82	-6.20
252	-5.09	-4.75	-4.63	-5.59	-6.53	-6.93	-8.25	-10.83	-10.62	-8.30	-7.65
253	-6.01	-5.70	-5.49	-7.38	-8.47	-8.98	-10.42	-12.84	-12.56	-10.43	-9.42
254	-6.77	-6.48	-6.24	-9.01	-10.44	-10.90	-12.71	-15.21	-15.02	-12.83	-11.20
255	-7.50	-7.22	-7.02	-10.01	-11.68	-12.03	-14.15	-17.14	-17.24	-14.54	-12.51
256	-8.40	-8.09	-7.97	-10.91	-12.43	-12.89	-14.85	-18.10	-18.44	-15.47	-13.59
257	-9.59	-9.24	-9.14	-12.61	-13.78	-14.61	-16.14	-19.04	-19.42	-17.01	-15.29
258	-11.05	-10.64	-10.43	-15.36	-16.43	-17.81	-19.01	-21.10	-21.47	-20.26	-18.04
259	-12.54	-12.08	-11.56	-17.62	-19.51	-20.96	-23.19	-24.69	-24.99	-24.26	-20.83
260	-13.61	-13.17	-12.39	-17.57	-19.58	-20.21	-23.61	-27.61	-27.79	-23.74	-21.87
261	-14.16	-13.81	-13.11	-17.84	-18.79	-19.45	-21.90	-26.63	-27.15	-22.91	-22.71
262	-14.69	-14.43	-14.16	-20.48	-20.25	-21.32	-22.51	-26.19	-27.18	-25.20	-24.75
263	-15.78	-15.55	-15.80	-25.60	-25.55	-27.08	-26.24	-28.17	-29.64	-30.30	-26.36
264	-17.78	-17.50	-17.93	-23.79	-30.63	-28.84	-31.30	-32.24	-33.92	-27.94	-26.17

265	-20.62	-20.20	-19.76	-20.81	-24.15	-23.80	-27.64	-32.33	-34.46	-25.37	-26.60
266	-22.44	-22.20	-20.51	-21.30	-22.83	-23.00	-25.56	-29.64	-33.73	-26.48	-28.14
267	-20.93	-21.37	-20.77	-25.82	-26.10	-26.00	-26.70	-29.02	-35.90	-30.05	-28.70
268	-18.63	-19.30	-21.04	-30.55	-38.25	-35.50	-31.06	-30.22	-36.84	-28.99	-28.00
269	-16.93	-17.48	-20.44	-24.08	-27.11	-32.62	-37.64	-32.16	-33.13	-26.83	-27.85
270	-15.81	-16.09	-18.62	-21.95	-23.08	-27.99	-35.80	-33.71	-31.65	-28.17	-28.49
271	-15.19	-15.20	-16.82	-23.32	-23.37	-28.36	-34.65	-35.51	-33.38	-34.95	-29.89
272	-15.14	-14.97	-15.89	-28.16	-27.55	-31.21	-35.55	-39.10	-40.23	-36.24	-32.60
273	-15.84	-15.63	-16.10	-30.01	-33.76	-31.01	-35.53	-43.45	-49.64	-30.10	-34.93
274	-17.61	-17.50	-17.70	-26.08	-28.03	-28.87	-35.05	-43.08	-38.64	-29.74	-32.86
275	-21.02	-21.31	-21.26	-25.68	-26.19	-28.99	-35.40	-44.38	-38.14	-33.71	-31.75
276	-27.66	-29.07	-28.13	-29.52	-28.88	-31.83	-35.43	-57.24	-42.29	-42.96	-34.16
277	-31.65	-29.20	-28.50	-42.72	-42.10	-36.57	-35.20	-46.21	-40.15	-40.21	-44.21
278	-24.75	-23.08	-23.01	-30.73	-32.08	-34.90	-36.72	-40.43	-35.49	-40.79	-40.56
279	-21.98	-20.94	-20.90	-26.86	-26.92	-31.58	-40.74	-39.73	-34.26	-43.26	-34.96
280	-21.49	-21.03	-20.88	-27.10	-26.53	-30.67	-40.73	-42.37	-35.55	-36.82	-34.83
281	-22.63	-22.96	-22.51	-30.31	-29.66	-32.65	-39.32	-45.71	-37.52	-35.13	-36.84
282	-25.17	-26.69	-25.23	-30.64	-34.45	-41.60	-45.65	-43.23	-36.04	-36.53	-35.56
283	-28.37	-30.02	-26.31	-25.92	-29.12	-36.19	-41.76	-41.35	-33.54	-33.38	-32.50
284	-29.42	-28.48	-24.43	-23.15	-25.19	-28.72	-32.63	-41.24	-32.18	-28.97	-30.80
285	-27.99	-26.95	-22.84	-22.26	-23.64	-26.13	-29.46	-41.55	-31.55	-26.84	-29.85
286	-26.47	-27.21	-22.56	-22.59	-23.55	-26.17	-29.11	-41.61	-30.62	-26.22	-28.29
287	-25.10	-28.45	-23.57	-23.24	-24.16	-28.12	-29.80	-39.10	-28.67	-25.99	-25.93
288	-23.71	-28.39	-25.78	-23.03	-24.19	-29.81	-28.30	-33.98	-26.31	-25.66	-23.81
289	-22.47	-26.53	-28.81	-22.06	-22.95	-28.68	-25.70	-29.77	-24.41	-25.75	-22.48
290	-21.61	-24.85	-30.85	-21.21	-21.48	-27.47	-24.34	-27.04	-23.33	-26.52	-22.04
291	-21.19	-23.78	-29.36	-20.62	-20.62	-27.13	-24.49	-25.54	-23.13	-26.88	-22.45
292	-21.09	-22.69	-25.73	-20.10	-20.53	-26.73	-25.73	-24.92	-23.60	-25.92	-23.66
293	-21.08	-21.07	-21.98	-19.75	-21.07	-26.24	-26.89	-24.72	-24.29	-25.04	-25.64
294	-20.93	-19.19	-18.87	-19.99	-22.19	-26.65	-26.43	-24.44	-24.73	-25.32	-28.22
295	-20.63	-17.63	-16.58	-21.27	-24.13	-27.99	-24.69	-23.98	-25.08	-26.91	-30.90
296	-20.33	-16.65	-15.11	-23.84	-27.41	-27.76	-22.94	-23.63	-25.94	-29.32	-32.89
297	-20.22	-16.32	-14.42	-27.59	-31.64	-25.63	-21.91	-23.74	-27.77	-31.07	-33.35
298	-20.38	-16.62	-14.44	-30.86	-31.45	-24.35	-21.96	-24.41	-30.81	-30.56	-31.96
299	-20.67	-17.44	-15.12	-30.42	-28.76	-24.18	-23.08	-25.36	-35.04	-28.48	-29.52
300	-20.66	-18.47	-16.23	-26.49	-26.31	-23.47	-23.97	-25.83	-39.10	-26.67	-27.05
301	-19.92	-19.01	-17.27	-22.38	-23.13	-21.28	-22.61	-25.25	-36.22	-26.04	-25.10
302	-18.63	-18.53	-17.53	-19.57	-20.06	-19.20	-20.57	-24.33	-31.42	-26.52	-23.87
303	-17.31	-17.40	-16.99	-18.19	-18.05	-18.16	-19.53	-23.93	-28.59	-26.69	-23.23
304	-16.36	-16.30	-16.26	-18.21	-17.34	-18.31	-19.78	-24.46	-27.81	-25.40	-22.92
305	-15.93	-15.59	-15.81	-19.71	-18.02	-19.67	-21.27	-25.97	-29.43	-24.37	-22.90
306	-16.07	-15.36	-15.79	-23.04	-20.34	-22.38	-23.87	-27.93	-35.45	-24.95	-23.46
307	-16.76	-15.61	-16.19	-29.44	-25.03	-27.00	-27.22	-28.52	-39.54	-27.33	-24.57
308	-17.98	-16.32	-16.99	-39.49	-35.52	-35.48	-30.42	-27.50	-29.72	-28.70	-25.00

309	-19.64	-17.45	-18.14	-32.37	-38.22	-52.69	-32.61	-26.87	-26.26	-26.45	-24.06
310	-21.55	-18.95	-19.60	-30.11	-32.14	-42.40	-33.97	-27.62	-25.63	-25.19	-23.57
311	-23.36	-20.70	-21.22	-30.96	-32.96	-44.41	-34.57	-30.28	-27.43	-26.53	-24.98
312	-24.68	-22.59	-22.75	-33.80	-36.31	-33.27	-34.07	-35.96	-32.78	-31.89	-29.58
313	-25.32	-24.43	-23.86	-36.87	-33.20	-27.37	-32.54	-42.94	-40.13	-40.32	-37.65
314	-25.36	-26.03	-24.39	-36.79	-29.28	-24.49	-30.64	-37.47	-31.50	-30.29	-30.85
315	-25.05	-27.17	-24.36	-35.55	-27.60	-23.50	-29.04	-35.89	-28.33	-27.12	-27.87
316	-24.74	-27.68	-24.02	-35.35	-27.66	-24.00	-28.00	-38.18	-28.19	-27.01	-28.32
317	-24.83	-27.75	-23.68	-36.06	-29.33	-25.85	-27.56	-41.08	-30.37	-29.26	-32.03
318	-25.75	-27.89	-23.65	-35.63	-32.96	-29.10	-27.64	-35.63	-33.38	-32.81	-45.05
319	-28.08	-28.63	-24.12	-32.54	-36.97	-33.64	-28.19	-31.60	-31.90	-30.46	-33.32
320	-33.42	-30.25	-25.18	-29.37	-33.30	-35.12	-29.09	-29.79	-29.27	-26.58	-26.74
321	-43.47	-31.81	-26.80	-27.37	-29.60	-31.51	-30.17	-29.50	-28.56	-24.95	-23.96
322	-30.87	-29.88	-28.65	-26.69	-28.00	-28.84	-31.23	-30.34	-29.95	-25.54	-23.52
323	-25.59	-26.09	-29.21	-27.38	-28.04	-27.60	-32.14	-31.79	-33.72	-28.70	-25.46
324	-22.71	-23.05	-26.92	-29.72	-29.50	-27.40	-32.68	-32.56	-36.66	-34.79	-31.10
325	-21.01	-21.00	-23.65	-34.70	-32.00	-27.77	-32.39	-31.56	-32.07	-32.41	-43.07
326	-19.97	-19.76	-20.97	-48.14	-33.69	-28.17	-31.08	-29.68	-28.45	-28.08	-31.80
327	-19.31	-19.17	-19.16	-42.12	-32.54	-28.22	-29.17	-27.94	-26.50	-26.31	-28.62
328	-18.80	-19.08	-18.23	-37.81	-30.77	-27.88	-27.29	-26.70	-25.74	-26.09	-27.95
329	-18.36	-19.31	-18.11	-39.20	-29.81	-27.27	-25.85	-26.10	-26.05	-27.34	-28.01
330	-18.02	-19.66	-18.73	-42.64	-29.71	-26.66	-25.03	-26.32	-27.69	-31.04	-28.73
331	-17.92	-20.03	-19.87	-35.79	-30.29	-26.39	-24.88	-27.52	-31.47	-39.73	-31.38
332	-18.22	-20.52	-21.13	-30.83	-31.12	-26.93	-25.39	-29.56	-39.50	-32.46	-36.23
333	-19.15	-21.45	-22.03	-28.35	-31.17	-28.96	-26.66	-31.12	-36.11	-27.42	-32.23
334	-21.04	-23.33	-22.54	-27.37	-29.56	-34.13	-28.95	-30.46	-30.61	-25.97	-28.10
335	-24.58	-26.83	-22.95	-27.23	-27.24	-40.49	-32.78	-29.28	-28.73	-27.02	-27.04
336	-31.47	-29.95	-22.94	-27.40	-25.49	-31.27	-37.33	-29.28	-29.24	-30.79	-28.54
337	-30.04	-25.07	-21.72	-27.77	-24.91	-27.44	-35.92	-31.04	-32.44	-36.65	-32.77
338	-23.29	-20.44	-19.64	-28.80	-25.92	-26.53	-33.30	-35.54	-42.61	-32.80	-36.64
339	-19.65	-17.50	-17.66	-31.20	-29.32	-27.93	-32.68	-49.66	-38.90	-28.80	-32.83
340	-17.54	-15.69	-16.21	-35.42	-38.06	-32.17	-33.72	-40.19	-31.00	-26.92	-30.02
341	-16.34	-14.69	-15.35	-38.51	-36.21	-43.14	-36.06	-34.02	-27.80	-26.07	-28.57
342	-15.75	-14.30	-15.02	-37.24	-30.33	-41.20	-37.56	-31.47	-26.34	-25.59	-27.54
343	-15.57	-14.38	-15.15	-37.34	-29.22	-34.29	-33.55	-30.33	-25.75	-25.10	-26.64
344	-15.66	-14.80	-15.63	-36.55	-30.52	-30.66	-29.04	-29.96	-25.53	-24.60	-26.08
345	-15.96	-15.44	-16.38	-31.83	-30.40	-27.85	-26.23	-30.16	-25.44	-24.24	-26.04
346	-16.45	-16.21	-17.29	-28.04	-27.05	-26.13	-25.05	-30.90	-25.38	-24.14	-26.44
347	-17.17	-17.08	-18.28	-25.89	-24.46	-25.75	-25.40	-32.07	-25.31	-24.26	-26.83
348	-18.18	-18.08	-19.33	-24.92	-23.32	-26.78	-27.18	-32.83	-25.15	-24.57	-26.90
349	-19.49	-19.20	-20.43	-24.70	-23.21	-29.13	-29.78	-31.72	-24.91	-25.12	-27.17
350	-21.06	-20.43	-21.56	-24.89	-23.53	-32.26	-31.01	-29.54	-24.81	-26.02	-28.48
351	-22.77	-21.70	-22.63	-25.18	-23.77	-34.08	-30.47	-27.89	-25.17	-27.22	-31.73
352	-24.35	-22.95	-23.58	-25.14	-23.88	-32.75	-30.32	-27.31	-26.23	-28.41	-37.61

353	-25.36	-24.03	-24.34	-24.58	-24.19	-30.42	-31.29	-28.05	-28.18	-28.61	-35.80
354	-25.41	-24.62	-24.84	-24.02	-25.11	-28.99	-33.94	-30.47	-30.31	-27.02	-30.57
355	-24.68	-24.45	-25.06	-24.26	-27.17	-29.37	-41.71	-34.06	-29.32	-24.63	-27.56
356	-23.77	-23.91	-25.28	-25.99	-31.66	-32.90	-37.88	-31.29	-25.89	-22.59	-25.75
357	-23.18	-23.72	-26.08	-30.27	-46.18	-52.03	-29.10	-26.32	-23.18	-21.27	-24.66
358	-23.21	-24.44	-28.29	-40.79	-35.00	-32.70	-25.06	-23.25	-21.73	-20.66	-24.11
359	-24.05	-26.72	-33.70	-36.25	-29.34	-26.58	-23.29	-21.76	-21.53	-20.68	-23.95

Port 4:

Angle	FREQUENCY										
	2400	2450	2500	5150	5250	5350	5450	5550	5560	5750	5850
	Horizontal										
0	-13.98	-13.96	-15.10	-32.24	-36.30	-35.52	-32.63	-32.44	-27.83	-24.45	-22.03
1	-14.01	-13.98	-15.14	-31.33	-32.51	-43.31	-40.00	-32.20	-30.93	-25.06	-22.66
2	-14.09	-14.05	-15.25	-29.97	-30.41	-44.12	-45.74	-30.52	-34.10	-26.06	-23.72
3	-14.23	-14.18	-15.43	-29.17	-29.68	-39.29	-38.49	-29.57	-35.01	-27.72	-25.45
4	-14.43	-14.37	-15.66	-29.06	-30.14	-37.50	-35.31	-29.81	-33.64	-30.34	-28.40
5	-14.67	-14.61	-15.95	-29.41	-32.00	-37.04	-33.34	-31.18	-31.74	-32.63	-34.24
6	-14.95	-14.90	-16.29	-29.55	-36.25	-36.13	-31.15	-32.20	-29.42	-29.76	-39.51
7	-15.29	-15.23	-16.69	-28.56	-48.83	-33.66	-28.55	-29.84	-26.76	-25.35	-29.62
8	-15.66	-15.61	-17.14	-26.53	-38.44	-30.69	-26.06	-26.18	-24.18	-22.02	-24.51
9	-16.09	-16.03	-17.64	-24.33	-31.64	-28.20	-24.02	-23.26	-22.00	-19.65	-21.38
10	-16.55	-16.50	-18.18	-22.47	-28.13	-26.39	-22.54	-21.25	-20.34	-18.04	-19.34
11	-17.06	-17.00	-18.78	-21.08	-26.10	-25.25	-21.61	-20.00	-19.22	-17.04	-18.05
12	-17.61	-17.54	-19.41	-20.17	-25.02	-24.76	-21.26	-19.44	-18.64	-16.61	-17.38
13	-18.20	-18.11	-20.09	-19.72	-24.71	-24.95	-21.51	-19.53	-18.62	-16.73	-17.27
14	-18.83	-18.71	-20.81	-19.72	-25.15	-25.94	-22.44	-20.32	-19.19	-17.42	-17.70
15	-19.50	-19.34	-21.54	-20.21	-26.35	-28.05	-24.20	-21.96	-20.43	-18.75	-18.69
16	-20.21	-19.97	-22.28	-21.22	-28.33	-32.26	-26.99	-24.77	-22.47	-20.83	-20.22
17	-20.95	-20.59	-22.98	-22.78	-30.36	-44.33	-30.17	-29.37	-25.19	-23.61	-22.10
18	-21.72	-21.19	-23.61	-24.82	-29.83	-36.33	-29.33	-32.94	-26.92	-25.82	-23.54
19	-22.50	-21.75	-24.11	-26.58	-26.90	-28.72	-25.64	-28.08	-25.17	-24.85	-23.45
20	-23.27	-22.22	-24.43	-26.38	-24.11	-24.84	-22.71	-24.06	-22.42	-22.45	-22.23
21	-23.99	-22.58	-24.53	-24.42	-22.00	-22.42	-20.72	-21.62	-20.35	-20.60	-21.04
22	-24.61	-22.81	-24.43	-22.34	-20.53	-20.84	-19.45	-20.19	-19.06	-19.57	-20.40
23	-25.06	-22.89	-24.14	-20.72	-19.57	-19.87	-18.73	-19.45	-18.45	-19.28	-20.45
24	-25.30	-22.84	-23.74	-19.60	-19.02	-19.36	-18.44	-19.28	-18.43	-19.72	-21.27
25	-25.29	-22.67	-23.29	-18.91	-18.84	-19.24	-18.52	-19.61	-18.99	-20.92	-23.01
26	-25.06	-22.42	-22.81	-18.58	-18.95	-19.47	-18.91	-20.43	-20.17	-23.09	-26.02
27	-24.65	-22.12	-22.36	-18.54	-19.31	-20.02	-19.58	-21.83	-22.10	-26.81	-31.04
28	-24.15	-21.80	-21.95	-18.74	-19.88	-20.87	-20.52	-24.02	-25.14	-34.35	-34.46
29	-23.60	-21.48	-21.60	-19.13	-20.62	-22.00	-21.78	-27.63	-30.28	-41.54	-29.23
30	-23.06	-21.19	-21.32	-19.70	-21.53	-23.46	-23.48	-35.09	-41.03	-29.60	-25.44

31	-22.55	-20.94	-21.10	-20.44	-22.65	-25.34	-25.88	-38.76	-33.02	-25.12	-23.20
32	-22.10	-20.74	-20.96	-21.40	-24.14	-27.88	-29.44	-28.22	-26.99	-22.55	-21.84
33	-21.72	-20.59	-20.90	-22.73	-26.27	-31.75	-33.17	-23.42	-23.69	-20.86	-20.94
34	-21.41	-20.51	-20.90	-24.65	-29.72	-39.20	-30.15	-20.42	-21.56	-19.66	-20.17
35	-21.18	-20.48	-20.99	-27.65	-36.96	-40.45	-25.48	-18.37	-20.11	-18.77	-19.35
36	-21.03	-20.53	-21.15	-33.04	-43.71	-31.66	-22.16	-16.95	-19.11	-18.08	-18.43
37	-20.97	-20.64	-21.39	-40.88	-30.92	-27.12	-19.86	-16.03	-18.46	-17.57	-17.51
38	-20.99	-20.82	-21.71	-31.42	-25.92	-24.22	-18.27	-15.54	-18.11	-17.21	-16.70
39	-21.10	-21.08	-22.12	-26.05	-22.91	-22.22	-17.24	-15.43	-18.01	-17.03	-16.12
40	-21.29	-21.41	-22.61	-22.86	-20.93	-20.85	-16.67	-15.67	-18.11	-17.01	-15.82
41	-21.57	-21.82	-23.18	-20.76	-19.63	-19.98	-16.51	-16.25	-18.34	-17.16	-15.83
42	-21.95	-22.32	-23.85	-19.36	-18.84	-19.54	-16.73	-17.11	-18.60	-17.46	-16.14
43	-22.41	-22.89	-24.62	-18.49	-18.49	-19.48	-17.28	-18.16	-18.79	-17.86	-16.73
44	-22.98	-23.56	-25.49	-18.04	-18.51	-19.80	-18.06	-19.19	-18.85	-18.32	-17.50
45	-23.66	-24.33	-26.49	-17.96	-18.84	-20.47	-18.93	-19.91	-18.78	-18.82	-18.30
46	-24.43	-25.20	-27.63	-18.21	-19.42	-21.44	-19.62	-20.17	-18.67	-19.33	-18.90
47	-25.33	-26.18	-28.94	-18.74	-20.14	-22.61	-19.90	-20.08	-18.66	-19.89	-19.12
48	-26.34	-27.29	-30.46	-19.52	-20.85	-23.71	-19.78	-19.96	-18.84	-20.52	-18.98
49	-27.47	-28.54	-32.26	-20.47	-21.39	-24.38	-19.51	-20.06	-19.29	-21.27	-18.69
50	-28.73	-29.96	-34.47	-21.54	-21.69	-24.42	-19.36	-20.56	-20.07	-22.11	-18.44
51	-30.13	-31.58	-37.27	-22.63	-21.81	-24.05	-19.54	-21.56	-21.18	-22.96	-18.37
52	-31.66	-33.44	-40.77	-23.71	-21.95	-23.66	-20.19	-23.11	-22.54	-23.62	-18.54
53	-33.32	-35.55	-43.39	-24.83	-22.27	-23.53	-21.42	-25.05	-23.85	-23.85	-18.93
54	-35.12	-37.73	-41.15	-26.14	-22.89	-23.78	-23.39	-26.42	-24.55	-23.58	-19.51
55	-37.03	-39.22	-37.42	-27.88	-23.87	-24.44	-26.20	-25.74	-24.27	-23.01	-20.17
56	-38.96	-38.81	-34.35	-30.27	-25.10	-25.42	-28.85	-23.75	-23.40	-22.40	-20.80
57	-40.56	-36.83	-31.92	-32.90	-26.10	-26.30	-27.81	-21.85	-22.50	-21.91	-21.25
58	-41.03	-34.52	-29.92	-32.46	-25.98	-26.26	-24.65	-20.49	-21.88	-21.62	-21.46
59	-39.86	-32.38	-28.22	-28.85	-24.56	-24.94	-22.06	-19.68	-21.63	-21.53	-21.45
60	-37.69	-30.50	-26.76	-25.45	-22.67	-23.06	-20.26	-19.38	-21.76	-21.57	-21.33
61	-35.31	-28.84	-25.48	-22.82	-20.93	-21.28	-19.11	-19.55	-22.20	-21.66	-21.17
62	-33.06	-27.37	-24.35	-20.81	-19.50	-19.82	-18.48	-20.20	-22.83	-21.66	-21.03
63	-31.02	-26.07	-23.35	-19.27	-18.41	-18.73	-18.29	-21.29	-23.36	-21.47	-20.89
64	-29.20	-24.89	-22.46	-18.09	-17.62	-17.98	-18.51	-22.75	-23.39	-21.03	-20.73
65	-27.57	-23.84	-21.67	-17.20	-17.10	-17.56	-19.11	-24.24	-22.73	-20.41	-20.49
66	-26.12	-22.90	-20.97	-16.56	-16.80	-17.44	-20.07	-24.94	-21.60	-19.72	-20.10
67	-24.82	-22.06	-20.37	-16.13	-16.70	-17.62	-21.34	-24.26	-20.37	-19.04	-19.56
68	-23.66	-21.31	-19.84	-15.88	-16.77	-18.08	-22.69	-22.77	-19.26	-18.43	-18.85
69	-22.63	-20.65	-19.40	-15.77	-16.98	-18.80	-23.52	-21.24	-18.34	-17.89	-18.02
70	-21.72	-20.08	-19.03	-15.79	-17.28	-19.73	-23.20	-19.96	-17.63	-17.41	-17.11
71	-20.91	-19.58	-18.73	-15.90	-17.60	-20.72	-21.93	-18.96	-17.07	-16.93	-16.17
72	-20.21	-19.16	-18.50	-16.06	-17.88	-21.45	-20.39	-18.18	-16.60	-16.38	-15.22
73	-19.60	-18.82	-18.34	-16.24	-18.04	-21.50	-18.99	-17.52	-16.14	-15.73	-14.29
74	-19.08	-18.54	-18.25	-16.40	-18.03	-20.74	-17.85	-16.90	-15.62	-14.98	-13.41

75	-18.64	-18.34	-18.22	-16.52	-17.85	-19.49	-16.95	-16.25	-15.02	-14.15	-12.59
76	-18.29	-18.20	-18.25	-16.58	-17.53	-18.13	-16.24	-15.55	-14.32	-13.31	-11.85
77	-18.01	-18.13	-18.34	-16.60	-17.13	-16.86	-15.65	-14.79	-13.60	-12.52	-11.19
78	-17.80	-18.12	-18.48	-16.59	-16.69	-15.73	-15.11	-14.02	-12.90	-11.82	-10.63
79	-17.66	-18.17	-18.68	-16.57	-16.23	-14.76	-14.56	-13.28	-12.27	-11.24	-10.17
80	-17.59	-18.27	-18.91	-16.52	-15.74	-13.92	-13.98	-12.64	-11.76	-10.79	-9.82
81	-17.58	-18.43	-19.18	-16.41	-15.21	-13.18	-13.37	-12.11	-11.37	-10.47	-9.55
82	-17.63	-18.61	-19.45	-16.18	-14.63	-12.52	-12.74	-11.72	-11.11	-10.26	-9.37
83	-17.73	-18.83	-19.72	-15.79	-13.98	-11.93	-12.15	-11.47	-10.95	-10.13	-9.24
84	-17.87	-19.04	-19.94	-15.20	-13.29	-11.40	-11.62	-11.34	-10.85	-10.03	-9.14
85	-18.05	-19.23	-20.10	-14.45	-12.57	-10.92	-11.17	-11.31	-10.76	-9.93	-9.03
86	-18.24	-19.37	-20.14	-13.59	-11.86	-10.48	-10.82	-11.33	-10.62	-9.76	-8.86
87	-18.42	-19.43	-20.05	-12.69	-11.19	-10.09	-10.56	-11.33	-10.38	-9.50	-8.61
88	-18.57	-19.36	-19.82	-11.80	-10.57	-9.74	-10.38	-11.25	-10.01	-9.12	-8.26
89	-18.65	-19.16	-19.45	-10.98	-10.01	-9.43	-10.24	-11.03	-9.54	-8.65	-7.83
90	-18.63	-18.81	-18.95	-10.25	-9.51	-9.14	-10.11	-10.66	-9.00	-8.13	-7.33
91	-18.49	-18.34	-18.37	-9.60	-9.08	-8.88	-9.95	-10.18	-8.44	-7.58	-6.79
92	-18.20	-17.76	-17.74	-9.05	-8.70	-8.63	-9.74	-9.63	-7.92	-7.06	-6.26
93	-17.78	-17.12	-17.07	-8.58	-8.36	-8.38	-9.46	-9.08	-7.44	-6.59	-5.76
94	-17.24	-16.43	-16.39	-8.20	-8.07	-8.11	-9.12	-8.57	-7.04	-6.17	-5.30
95	-16.60	-15.72	-15.71	-7.88	-7.80	-7.83	-8.74	-8.12	-6.72	-5.81	-4.89
96	-15.92	-15.01	-15.04	-7.61	-7.55	-7.54	-8.34	-7.75	-6.48	-5.52	-4.54
97	-15.19	-14.30	-14.39	-7.38	-7.30	-7.24	-7.97	-7.46	-6.29	-5.29	-4.26
98	-14.46	-13.62	-13.76	-7.18	-7.07	-6.94	-7.63	-7.25	-6.15	-5.10	-4.04
99	-13.73	-12.96	-13.15	-6.99	-6.84	-6.66	-7.36	-7.10	-6.05	-4.96	-3.88
100	-13.02	-12.33	-12.55	-6.80	-6.62	-6.40	-7.16	-6.99	-5.96	-4.85	-3.77
101	-12.33	-11.72	-11.98	-6.61	-6.42	-6.19	-7.04	-6.93	-5.86	-4.76	-3.71
102	-11.66	-11.13	-11.43	-6.41	-6.23	-6.03	-7.00	-6.89	-5.76	-4.70	-3.68
103	-11.02	-10.57	-10.90	-6.21	-6.07	-5.92	-7.02	-6.86	-5.64	-4.66	-3.69
104	-10.41	-10.03	-10.38	-6.01	-5.94	-5.88	-7.11	-6.83	-5.51	-4.64	-3.72
105	-9.83	-9.51	-9.87	-5.82	-5.85	-5.90	-7.23	-6.79	-5.39	-4.64	-3.77
106	-9.27	-9.01	-9.38	-5.66	-5.80	-5.98	-7.38	-6.74	-5.28	-4.68	-3.84
107	-8.73	-8.53	-8.91	-5.52	-5.80	-6.12	-7.52	-6.69	-5.20	-4.76	-3.93
108	-8.23	-8.07	-8.45	-5.41	-5.84	-6.30	-7.65	-6.65	-5.18	-4.88	-4.04
109	-7.74	-7.62	-8.00	-5.34	-5.93	-6.53	-7.74	-6.62	-5.22	-5.06	-4.17
110	-7.28	-7.19	-7.56	-5.32	-6.06	-6.77	-7.81	-6.63	-5.34	-5.30	-4.34
111	-6.84	-6.77	-7.14	-5.34	-6.22	-7.03	-7.86	-6.69	-5.54	-5.60	-4.55
112	-6.42	-6.37	-6.73	-5.40	-6.41	-7.29	-7.91	-6.81	-5.85	-5.96	-4.80
113	-6.02	-5.98	-6.33	-5.51	-6.63	-7.53	-7.99	-7.00	-6.25	-6.39	-5.09
114	-5.64	-5.60	-5.95	-5.65	-6.87	-7.76	-8.13	-7.29	-6.75	-6.87	-5.42
115	-5.28	-5.24	-5.58	-5.83	-7.12	-7.98	-8.34	-7.67	-7.34	-7.40	-5.78
116	-4.93	-4.89	-5.23	-6.03	-7.38	-8.21	-8.65	-8.15	-8.02	-7.95	-6.15
117	-4.60	-4.55	-4.89	-6.25	-7.65	-8.46	-9.07	-8.73	-8.76	-8.51	-6.50
118	-4.28	-4.22	-4.56	-6.47	-7.94	-8.77	-9.62	-9.41	-9.55	-9.02	-6.77



119	-3.98	-3.91	-4.25	-6.71	-8.25	-9.13	-10.31	-10.18	-10.34	-9.45	-6.93
120	-3.70	-3.60	-3.95	-6.94	-8.58	-9.59	-11.13	-11.03	-11.09	-9.75	-6.95
121	-3.42	-3.31	-3.67	-7.18	-8.95	-10.14	-12.10	-11.93	-11.72	-9.89	-6.81
122	-3.16	-3.03	-3.39	-7.43	-9.36	-10.80	-13.20	-12.83	-12.19	-9.86	-6.54
123	-2.92	-2.77	-3.14	-7.67	-9.81	-11.57	-14.40	-13.65	-12.45	-9.67	-6.19
124	-2.68	-2.51	-2.89	-7.93	-10.31	-12.44	-15.67	-14.30	-12.49	-9.37	-5.81
125	-2.45	-2.27	-2.66	-8.18	-10.85	-13.40	-16.97	-14.71	-12.35	-9.01	-5.44
126	-2.24	-2.03	-2.44	-8.44	-11.41	-14.40	-18.26	-14.86	-12.08	-8.64	-5.12
127	-2.03	-1.81	-2.22	-8.70	-11.99	-15.41	-19.59	-14.81	-11.76	-8.30	-4.87
128	-1.83	-1.60	-2.02	-8.94	-12.54	-16.33	-21.06	-14.65	-11.44	-8.02	-4.70
129	-1.64	-1.40	-1.83	-9.16	-13.02	-17.09	-22.92	-14.48	-11.16	-7.83	-4.62
130	-1.45	-1.20	-1.64	-9.34	-13.39	-17.60	-25.58	-14.37	-10.97	-7.74	-4.63
131	-1.27	-1.01	-1.46	-9.46	-13.60	-17.78	-29.80	-14.36	-10.88	-7.77	-4.74
132	-1.10	-0.83	-1.28	-9.51	-13.61	-17.61	-33.99	-14.46	-10.93	-7.94	-4.93
133	-0.92	-0.66	-1.11	-9.48	-13.42	-17.09	-28.73	-14.66	-11.14	-8.25	-5.19
134	-0.76	-0.49	-0.94	-9.35	-13.03	-16.29	-23.66	-14.94	-11.53	-8.71	-5.52
135	-0.59	-0.33	-0.77	-9.13	-12.48	-15.29	-20.22	-15.27	-12.13	-9.31	-5.90
136	-0.42	-0.17	-0.60	-8.81	-11.80	-14.19	-17.72	-15.64	-12.97	-10.04	-6.32
137	-0.26	-0.01	-0.43	-8.42	-11.06	-13.07	-15.83	-16.02	-14.12	-10.89	-6.76
138	-0.10	0.14	-0.26	-7.96	-10.28	-11.98	-14.37	-16.44	-15.64	-11.81	-7.22
139	0.06	0.29	-0.09	-7.45	-9.49	-10.95	-13.21	-16.91	-17.68	-12.76	-7.72
140	0.23	0.45	0.08	-6.91	-8.72	-9.99	-12.28	-17.45	-20.44	-13.69	-8.27
141	0.39	0.60	0.26	-6.36	-7.99	-9.12	-11.50	-18.00	-23.95	-14.60	-8.93
142	0.55	0.76	0.45	-5.79	-7.29	-8.33	-10.81	-18.36	-25.68	-15.49	-9.78
143	0.71	0.92	0.63	-5.24	-6.62	-7.59	-10.16	-18.19	-22.44	-16.38	-10.90
144	0.88	1.07	0.82	-4.70	-5.99	-6.90	-9.49	-17.21	-18.63	-17.17	-12.44
145	1.04	1.24	1.01	-4.17	-5.39	-6.24	-8.77	-15.57	-15.61	-17.53	-14.67
146	1.20	1.40	1.20	-3.67	-4.80	-5.58	-7.99	-13.66	-13.19	-16.97	-18.10
147	1.36	1.56	1.39	-3.19	-4.22	-4.91	-7.14	-11.77	-11.18	-15.44	-24.16
148	1.53	1.73	1.58	-2.73	-3.65	-4.22	-6.25	-10.01	-9.46	-13.44	-28.06
149	1.69	1.90	1.78	-2.30	-3.06	-3.52	-5.35	-8.42	-7.97	-11.43	-20.01
150	1.85	2.07	1.97	-1.87	-2.47	-2.80	-4.47	-7.00	-6.65	-9.61	-15.37
151	2.00	2.24	2.16	-1.46	-1.88	-2.09	-3.63	-5.73	-5.49	-8.03	-12.41
152	2.16	2.41	2.35	-1.06	-1.29	-1.39	-2.84	-4.61	-4.46	-6.69	-10.35
153	2.31	2.58	2.54	-0.67	-0.71	-0.72	-2.12	-3.61	-3.54	-5.56	-8.84
154	2.46	2.75	2.73	-0.29	-0.16	-0.09	-1.47	-2.73	-2.74	-4.63	-7.72
155	2.61	2.91	2.91	0.08	0.36	0.48	-0.89	-1.94	-2.03	-3.86	-6.88
156	2.76	3.08	3.08	0.42	0.84	1.00	-0.37	-1.24	-1.41	-3.23	-6.23
157	2.90	3.24	3.26	0.74	1.27	1.46	0.10	-0.62	-0.88	-2.71	-5.72
158	3.04	3.40	3.43	1.03	1.65	1.87	0.51	-0.06	-0.41	-2.28	-5.27
159	3.17	3.55	3.59	1.30	1.99	2.24	0.88	0.43	0.00	-1.89	-4.84
160	3.31	3.70	3.75	1.54	2.28	2.56	1.22	0.89	0.38	-1.53	-4.36
161	3.43	3.85	3.90	1.75	2.55	2.86	1.55	1.30	0.72	-1.15	-3.82
162	3.56	3.99	4.05	1.94	2.80	3.14	1.86	1.68	1.05	-0.74	-3.20

163	3.68	4.13	4.19	2.13	3.04	3.42	2.16	2.03	1.38	-0.29	-2.53
164	3.79	4.26	4.32	2.32	3.30	3.70	2.46	2.35	1.70	0.19	-1.83
165	3.91	4.38	4.45	2.52	3.57	3.99	2.76	2.64	2.04	0.69	-1.15
166	4.01	4.50	4.57	2.74	3.87	4.29	3.06	2.92	2.37	1.19	-0.50
167	4.11	4.61	4.69	3.00	4.19	4.59	3.35	3.16	2.70	1.65	0.08
168	4.21	4.71	4.79	3.28	4.53	4.89	3.64	3.39	3.02	2.08	0.60
169	4.30	4.81	4.89	3.59	4.88	5.18	3.91	3.59	3.31	2.44	1.05
170	4.39	4.90	4.99	3.92	5.23	5.46	4.16	3.78	3.56	2.74	1.43
171	4.47	4.98	5.07	4.25	5.57	5.71	4.40	3.95	3.78	2.98	1.76
172	4.55	5.05	5.14	4.57	5.88	5.94	4.61	4.09	3.95	3.17	2.06
173	4.62	5.12	5.21	4.88	6.15	6.13	4.80	4.23	4.09	3.30	2.33
174	4.68	5.18	5.27	5.15	6.39	6.28	4.97	4.34	4.18	3.40	2.58
175	4.74	5.24	5.32	5.38	6.58	6.40	5.11	4.43	4.23	3.48	2.83
176	4.79	5.28	5.36	5.57	6.73	6.48	5.23	4.51	4.24	3.53	3.07
177	4.83	5.32	5.39	5.71	6.82	6.53	5.32	4.55	4.23	3.59	3.30
178	4.87	5.35	5.41	5.80	6.87	6.55	5.39	4.58	4.20	3.64	3.52
179	4.90	5.38	5.43	5.84	6.88	6.54	5.43	4.57	4.16	3.69	3.71
180	4.92	5.39	5.44	5.84	6.86	6.50	5.44	4.54	4.10	3.73	3.88
181	4.93	5.40	5.44	5.80	6.79	6.44	5.43	4.48	4.03	3.76	4.01
182	4.94	5.41	5.43	5.73	6.70	6.36	5.39	4.39	3.96	3.78	4.10
183	4.94	5.40	5.41	5.64	6.59	6.25	5.31	4.28	3.88	3.78	4.16
184	4.93	5.39	5.38	5.52	6.44	6.13	5.19	4.13	3.78	3.75	4.17
185	4.92	5.37	5.35	5.37	6.28	5.99	5.04	3.97	3.67	3.70	4.14
186	4.90	5.35	5.31	5.21	6.08	5.82	4.84	3.78	3.54	3.61	4.08
187	4.87	5.32	5.26	5.04	5.86	5.62	4.60	3.56	3.39	3.50	3.98
188	4.83	5.28	5.21	4.84	5.61	5.39	4.30	3.31	3.20	3.35	3.84
189	4.78	5.24	5.15	4.63	5.33	5.14	3.96	3.03	2.97	3.18	3.67
190	4.73	5.18	5.08	4.40	5.01	4.85	3.57	2.71	2.71	2.98	3.46
191	4.67	5.13	5.01	4.14	4.67	4.54	3.14	2.34	2.41	2.75	3.20
192	4.61	5.06	4.93	3.88	4.31	4.20	2.66	1.92	2.06	2.48	2.90
193	4.54	4.99	4.85	3.59	3.93	3.84	2.15	1.44	1.68	2.19	2.54
194	4.46	4.91	4.76	3.28	3.53	3.45	1.60	0.90	1.27	1.85	2.13
195	4.37	4.83	4.66	2.97	3.14	3.06	1.03	0.29	0.83	1.48	1.66
196	4.28	4.74	4.56	2.64	2.75	2.65	0.45	-0.37	0.37	1.06	1.14
197	4.18	4.64	4.45	2.30	2.38	2.23	-0.14	-1.08	-0.10	0.61	0.58
198	4.08	4.54	4.34	1.96	2.02	1.80	-0.74	-1.82	-0.57	0.12	-0.01
199	3.97	4.43	4.22	1.62	1.68	1.38	-1.32	-2.58	-1.04	-0.39	-0.60
200	3.85	4.32	4.10	1.29	1.35	0.94	-1.91	-3.33	-1.51	-0.93	-1.19
201	3.73	4.19	3.97	0.96	1.04	0.51	-2.49	-4.05	-1.97	-1.47	-1.74
202	3.61	4.06	3.83	0.64	0.72	0.06	-3.07	-4.72	-2.42	-2.01	-2.25
203	3.48	3.93	3.69	0.32	0.38	-0.40	-3.66	-5.34	-2.87	-2.55	-2.71
204	3.35	3.78	3.55	-0.01	0.02	-0.87	-4.26	-5.89	-3.33	-3.06	-3.13
205	3.21	3.64	3.39	-0.35	-0.38	-1.36	-4.88	-6.40	-3.78	-3.57	-3.54
206	3.06	3.48	3.24	-0.71	-0.82	-1.87	-5.54	-6.88	-4.25	-4.09	-3.96

207	2.92	3.32	3.07	-1.09	-1.31	-2.41	-6.24	-7.35	-4.72	-4.62	-4.43
208	2.77	3.15	2.91	-1.51	-1.85	-2.98	-6.99	-7.82	-5.21	-5.19	-4.97
209	2.61	2.98	2.74	-1.96	-2.42	-3.58	-7.78	-8.29	-5.70	-5.82	-5.60
210	2.46	2.80	2.56	-2.43	-3.02	-4.23	-8.62	-8.76	-6.19	-6.52	-6.35
211	2.30	2.62	2.38	-2.92	-3.64	-4.91	-9.51	-9.21	-6.69	-7.32	-7.18
212	2.13	2.44	2.19	-3.41	-4.27	-5.66	-10.45	-9.59	-7.19	-8.19	-8.06
213	1.97	2.25	2.01	-3.90	-4.89	-6.47	-11.43	-9.88	-7.69	-9.11	-8.90
214	1.80	2.05	1.82	-4.38	-5.52	-7.35	-12.45	-10.07	-8.19	-10.03	-9.53
215	1.63	1.86	1.62	-4.83	-6.15	-8.33	-13.45	-10.15	-8.71	-10.85	-9.83
216	1.46	1.66	1.43	-5.25	-6.82	-9.41	-14.40	-10.17	-9.23	-11.47	-9.73
217	1.29	1.46	1.24	-5.65	-7.52	-10.60	-15.16	-10.15	-9.76	-11.78	-9.34
218	1.12	1.26	1.04	-6.02	-8.28	-11.89	-15.62	-10.14	-10.28	-11.78	-8.81
219	0.95	1.06	0.84	-6.36	-9.11	-13.26	-15.68	-10.17	-10.76	-11.52	-8.27
220	0.78	0.86	0.65	-6.68	-10.02	-14.62	-15.37	-10.23	-11.16	-11.12	-7.81
221	0.60	0.67	0.45	-6.99	-10.99	-15.80	-14.80	-10.32	-11.43	-10.66	-7.44
222	0.43	0.47	0.25	-7.29	-12.01	-16.57	-14.12	-10.42	-11.53	-10.20	-7.19
223	0.26	0.28	0.06	-7.60	-13.04	-16.72	-13.43	-10.51	-11.48	-9.77	-7.04
224	0.09	0.09	-0.14	-7.90	-14.00	-16.29	-12.75	-10.57	-11.29	-9.38	-6.97
225	-0.08	-0.10	-0.33	-8.21	-14.73	-15.46	-12.11	-10.56	-11.01	-9.04	-6.96
226	-0.25	-0.29	-0.52	-8.51	-15.03	-14.44	-11.50	-10.48	-10.69	-8.73	-7.00
227	-0.42	-0.47	-0.71	-8.77	-14.76	-13.36	-10.89	-10.31	-10.36	-8.47	-7.07
228	-0.59	-0.64	-0.91	-8.96	-13.98	-12.27	-10.28	-10.06	-10.05	-8.24	-7.14
229	-0.75	-0.82	-1.10	-9.03	-12.90	-11.22	-9.67	-9.74	-9.75	-8.04	-7.19
230	-0.92	-0.99	-1.29	-8.97	-11.71	-10.21	-9.06	-9.35	-9.46	-7.86	-7.22
231	-1.09	-1.15	-1.48	-8.76	-10.55	-9.26	-8.45	-8.90	-9.17	-7.71	-7.21
232	-1.25	-1.32	-1.67	-8.43	-9.48	-8.37	-7.86	-8.42	-8.85	-7.57	-7.15
233	-1.42	-1.48	-1.86	-8.01	-8.52	-7.55	-7.30	-7.92	-8.51	-7.43	-7.04
234	-1.59	-1.64	-2.05	-7.54	-7.67	-6.79	-6.78	-7.41	-8.14	-7.29	-6.90
235	-1.76	-1.80	-2.24	-7.07	-6.92	-6.11	-6.29	-6.92	-7.75	-7.14	-6.72
236	-1.93	-1.96	-2.43	-6.62	-6.27	-5.50	-5.85	-6.46	-7.33	-6.97	-6.52
237	-2.11	-2.12	-2.62	-6.20	-5.69	-4.96	-5.44	-6.03	-6.91	-6.76	-6.29
238	-2.29	-2.28	-2.81	-5.82	-5.17	-4.50	-5.08	-5.63	-6.49	-6.51	-6.06
239	-2.47	-2.45	-2.99	-5.49	-4.72	-4.10	-4.76	-5.28	-6.07	-6.22	-5.82
240	-2.66	-2.61	-3.18	-5.21	-4.31	-3.77	-4.49	-4.96	-5.67	-5.90	-5.58
241	-2.86	-2.79	-3.37	-4.97	-3.96	-3.50	-4.26	-4.69	-5.30	-5.55	-5.34
242	-3.06	-2.96	-3.55	-4.77	-3.67	-3.30	-4.07	-4.45	-4.95	-5.18	-5.09
243	-3.27	-3.15	-3.74	-4.60	-3.42	-3.15	-3.93	-4.26	-4.65	-4.82	-4.85
244	-3.50	-3.34	-3.92	-4.47	-3.23	-3.06	-3.83	-4.11	-4.40	-4.48	-4.63
245	-3.73	-3.53	-4.11	-4.37	-3.10	-3.02	-3.78	-4.01	-4.20	-4.18	-4.42
246	-3.97	-3.74	-4.30	-4.29	-3.03	-3.03	-3.76	-3.96	-4.06	-3.93	-4.24
247	-4.23	-3.96	-4.49	-4.23	-3.02	-3.07	-3.77	-3.96	-3.98	-3.74	-4.09
248	-4.50	-4.19	-4.68	-4.18	-3.06	-3.14	-3.81	-4.01	-3.95	-3.62	-3.98
249	-4.78	-4.43	-4.88	-4.15	-3.15	-3.23	-3.88	-4.10	-3.98	-3.58	-3.92
250	-5.08	-4.69	-5.09	-4.12	-3.28	-3.34	-3.97	-4.22	-4.05	-3.60	-3.92

251	-5.40	-4.96	-5.30	-4.11	-3.44	-3.47	-4.07	-4.38	-4.15	-3.70	-3.97
252	-5.73	-5.24	-5.52	-4.11	-3.63	-3.60	-4.19	-4.55	-4.29	-3.86	-4.08
253	-6.09	-5.54	-5.76	-4.12	-3.83	-3.74	-4.32	-4.74	-4.44	-4.07	-4.24
254	-6.46	-5.86	-6.00	-4.14	-4.03	-3.87	-4.46	-4.93	-4.61	-4.31	-4.45
255	-6.85	-6.20	-6.26	-4.19	-4.23	-4.01	-4.61	-5.13	-4.79	-4.59	-4.70
256	-7.27	-6.56	-6.54	-4.25	-4.42	-4.16	-4.78	-5.32	-4.96	-4.87	-4.98
257	-7.69	-6.93	-6.84	-4.34	-4.60	-4.32	-4.96	-5.52	-5.15	-5.16	-5.30
258	-8.14	-7.33	-7.15	-4.46	-4.77	-4.48	-5.15	-5.73	-5.34	-5.45	-5.63
259	-8.60	-7.74	-7.49	-4.62	-4.93	-4.67	-5.36	-5.95	-5.55	-5.73	-5.98
260	-9.07	-8.18	-7.85	-4.83	-5.10	-4.87	-5.58	-6.20	-5.79	-6.01	-6.33
261	-9.55	-8.63	-8.24	-5.08	-5.28	-5.10	-5.82	-6.48	-6.05	-6.30	-6.69
262	-10.02	-9.09	-8.65	-5.38	-5.47	-5.35	-6.05	-6.79	-6.35	-6.59	-7.03
263	-10.49	-9.56	-9.08	-5.74	-5.70	-5.63	-6.29	-7.12	-6.68	-6.89	-7.35
264	-10.94	-10.03	-9.53	-6.15	-5.95	-5.94	-6.51	-7.47	-7.04	-7.21	-7.65
265	-11.36	-10.49	-10.00	-6.61	-6.22	-6.26	-6.73	-7.81	-7.40	-7.55	-7.92
266	-11.74	-10.94	-10.47	-7.10	-6.52	-6.59	-6.94	-8.12	-7.75	-7.90	-8.19
267	-12.07	-11.35	-10.94	-7.61	-6.84	-6.94	-7.15	-8.38	-8.07	-8.25	-8.45
268	-12.34	-11.72	-11.40	-8.10	-7.17	-7.28	-7.36	-8.57	-8.35	-8.60	-8.74
269	-12.56	-12.03	-11.83	-8.55	-7.49	-7.61	-7.59	-8.72	-8.59	-8.92	-9.05
270	-12.71	-12.28	-12.21	-8.93	-7.81	-7.93	-7.82	-8.83	-8.80	-9.21	-9.41
271	-12.81	-12.46	-12.54	-9.23	-8.12	-8.24	-8.08	-8.95	-9.03	-9.49	-9.82
272	-12.87	-12.58	-12.80	-9.45	-8.43	-8.53	-8.34	-9.11	-9.29	-9.77	-10.28
273	-12.90	-12.63	-12.98	-9.61	-8.75	-8.83	-8.61	-9.32	-9.62	-10.08	-10.78
274	-12.91	-12.62	-13.09	-9.73	-9.09	-9.12	-8.88	-9.60	-10.05	-10.44	-11.32
275	-12.92	-12.59	-13.14	-9.84	-9.45	-9.42	-9.13	-9.94	-10.58	-10.88	-11.90
276	-12.93	-12.53	-13.13	-9.96	-9.86	-9.74	-9.35	-10.32	-11.22	-11.42	-12.52
277	-12.95	-12.47	-13.10	-10.12	-10.30	-10.08	-9.53	-10.71	-11.91	-12.06	-13.17
278	-13.01	-12.41	-13.05	-10.33	-10.77	-10.46	-9.69	-11.06	-12.60	-12.79	-13.86
279	-13.09	-12.37	-13.00	-10.59	-11.27	-10.88	-9.83	-11.33	-13.16	-13.57	-14.59
280	-13.22	-12.36	-12.97	-10.92	-11.77	-11.34	-9.98	-11.47	-13.48	-14.34	-15.35
281	-13.39	-12.39	-12.96	-11.31	-12.26	-11.85	-10.16	-11.50	-13.49	-14.98	-16.10
282	-13.61	-12.46	-12.99	-11.77	-12.70	-12.41	-10.39	-11.43	-13.23	-15.38	-16.78
283	-13.89	-12.58	-13.07	-12.31	-13.10	-13.02	-10.70	-11.32	-12.83	-15.46	-17.29
284	-14.23	-12.74	-13.20	-12.93	-13.46	-13.69	-11.12	-11.23	-12.41	-15.28	-17.56
285	-14.64	-12.97	-13.39	-13.64	-13.78	-14.41	-11.65	-11.21	-12.06	-14.94	-17.54
286	-15.12	-13.26	-13.64	-14.47	-14.11	-15.20	-12.34	-11.31	-11.85	-14.59	-17.30
287	-15.69	-13.61	-13.95	-15.42	-14.47	-16.05	-13.20	-11.56	-11.81	-14.33	-16.98
288	-16.34	-14.02	-14.34	-16.51	-14.92	-16.94	-14.25	-12.00	-11.97	-14.22	-16.69
289	-17.11	-14.52	-14.80	-17.77	-15.49	-17.87	-15.52	-12.66	-12.32	-14.32	-16.53
290	-18.00	-15.09	-15.35	-19.18	-16.21	-18.80	-17.03	-13.56	-12.87	-14.63	-16.56
291	-19.03	-15.75	-15.98	-20.70	-17.10	-19.69	-18.76	-14.74	-13.62	-15.16	-16.82
292	-20.25	-16.50	-16.71	-22.16	-18.17	-20.46	-20.64	-16.20	-14.55	-15.90	-17.31
293	-21.69	-17.35	-17.56	-23.26	-19.35	-21.05	-22.35	-17.96	-15.63	-16.78	-18.01
294	-23.43	-18.31	-18.51	-23.68	-20.53	-21.41	-23.29	-19.90	-16.77	-17.69	-18.84

295	-25.56	-19.37	-19.58	-23.43	-21.45	-21.56	-23.08	-21.70	-17.88	-18.45	-19.62
296	-28.23	-20.51	-20.76	-22.85	-21.90	-21.56	-22.09	-22.72	-18.83	-18.89	-20.07
297	-31.42	-21.69	-21.98	-22.29	-21.86	-21.49	-20.95	-22.57	-19.55	-18.97	-20.01
298	-33.82	-22.79	-23.13	-21.93	-21.55	-21.44	-19.93	-21.69	-20.04	-18.80	-19.50
299	-32.57	-23.63	-23.96	-21.84	-21.26	-21.46	-19.14	-20.68	-20.37	-18.58	-18.79
300	-29.63	-23.98	-24.19	-22.06	-21.14	-21.62	-18.58	-19.78	-20.60	-18.42	-18.14
301	-27.08	-23.76	-23.73	-22.58	-21.31	-21.96	-18.24	-19.08	-20.70	-18.41	-17.66
302	-25.09	-23.09	-22.79	-23.40	-21.80	-22.51	-18.12	-18.56	-20.62	-18.51	-17.43
303	-23.55	-22.20	-21.67	-24.39	-22.64	-23.30	-18.23	-18.20	-20.30	-18.69	-17.44
304	-22.33	-21.26	-20.55	-25.29	-23.82	-24.34	-18.58	-18.01	-19.78	-18.83	-17.69
305	-21.36	-20.37	-19.52	-25.58	-25.26	-25.62	-19.22	-18.00	-19.18	-18.85	-18.10
306	-20.60	-19.58	-18.61	-24.92	-26.67	-26.95	-20.20	-18.21	-18.63	-18.70	-18.59
307	-20.01	-18.90	-17.83	-23.56	-27.44	-27.81	-21.61	-18.68	-18.28	-18.45	-18.98
308	-19.56	-18.33	-17.17	-22.01	-27.03	-27.56	-23.56	-19.49	-18.19	-18.19	-19.13
309	-19.23	-17.87	-16.63	-20.55	-25.77	-26.27	-26.05	-20.73	-18.44	-18.05	-19.00
310	-19.02	-17.51	-16.19	-19.28	-24.28	-24.62	-28.13	-22.51	-19.07	-18.13	-18.66
311	-18.91	-17.24	-15.85	-18.23	-22.89	-23.05	-27.25	-24.84	-20.06	-18.48	-18.27
312	-18.90	-17.07	-15.59	-17.39	-21.67	-21.73	-24.37	-26.86	-21.23	-19.13	-17.95
313	-18.97	-16.97	-15.43	-16.73	-20.62	-20.68	-21.68	-26.12	-22.01	-19.98	-17.75
314	-19.12	-16.96	-15.33	-16.24	-19.70	-19.89	-19.59	-23.32	-21.62	-20.73	-17.63
315	-19.35	-17.01	-15.31	-15.92	-18.90	-19.33	-18.03	-20.67	-20.19	-20.86	-17.51
316	-19.63	-17.14	-15.34	-15.76	-18.20	-18.99	-16.89	-18.64	-18.53	-20.10	-17.26
317	-19.95	-17.31	-15.42	-15.77	-17.61	-18.84	-16.11	-17.16	-17.13	-18.83	-16.83
318	-20.30	-17.54	-15.54	-15.95	-17.15	-18.89	-15.62	-16.14	-16.15	-17.56	-16.27
319	-20.66	-17.79	-15.68	-16.31	-16.85	-19.13	-15.42	-15.48	-15.60	-16.57	-15.70
320	-20.99	-18.06	-15.82	-16.86	-16.72	-19.57	-15.47	-15.13	-15.46	-15.97	-15.26
321	-21.27	-18.34	-15.96	-17.64	-16.81	-20.23	-15.78	-15.03	-15.71	-15.79	-15.05
322	-21.47	-18.59	-16.07	-18.66	-17.13	-21.14	-16.37	-15.14	-16.32	-16.02	-15.15
323	-21.58	-18.80	-16.15	-19.96	-17.74	-22.33	-17.28	-15.41	-17.24	-16.68	-15.61
324	-21.59	-18.96	-16.18	-21.57	-18.66	-23.83	-18.58	-15.85	-18.35	-17.75	-16.50
325	-21.54	-19.07	-16.17	-23.48	-19.95	-25.53	-20.46	-16.49	-19.48	-19.18	-17.86
326	-21.43	-19.11	-16.13	-25.63	-21.62	-26.93	-23.25	-17.41	-20.44	-20.79	-19.73
327	-21.30	-19.12	-16.07	-27.66	-23.53	-27.05	-27.96	-18.79	-21.26	-22.26	-22.02
328	-21.19	-19.10	-16.00	-28.88	-25.16	-25.68	-40.13	-20.94	-22.21	-23.22	-24.22
329	-21.12	-19.09	-15.95	-28.84	-25.56	-23.79	-32.81	-24.63	-23.79	-23.79	-25.19
330	-21.12	-19.09	-15.93	-27.96	-24.66	-22.06	-25.35	-33.11	-26.86	-24.49	-24.75
331	-21.20	-19.14	-15.96	-26.79	-23.43	-20.68	-21.55	-34.61	-34.45	-25.94	-24.10
332	-21.40	-19.26	-16.06	-25.48	-22.46	-19.65	-19.16	-24.26	-37.10	-28.72	-23.98
333	-21.71	-19.47	-16.24	-24.05	-21.94	-18.95	-17.57	-19.73	-25.80	-32.46	-24.61
334	-22.18	-19.78	-16.51	-22.52	-21.85	-18.53	-16.55	-16.99	-20.90	-29.91	-25.95
335	-22.81	-20.21	-16.90	-21.00	-22.15	-18.38	-15.98	-15.23	-17.89	-24.89	-27.40
336	-23.65	-20.80	-17.41	-19.61	-22.73	-18.45	-15.79	-14.17	-15.92	-21.42	-27.34
337	-24.71	-21.55	-18.08	-18.41	-23.37	-18.72	-15.94	-13.65	-14.67	-19.12	-25.46
338	-26.03	-22.51	-18.93	-17.46	-23.78	-19.16	-16.39	-13.62	-14.00	-17.64	-23.35

339	-27.59	-23.70	-20.00	-16.79	-23.72	-19.73	-17.09	-14.05	-13.83	-16.82	-21.80
340	-29.17	-25.12	-21.35	-16.40	-23.27	-20.40	-17.98	-14.95	-14.13	-16.54	-20.90
341	-30.09	-26.71	-23.08	-16.32	-22.73	-21.17	-18.97	-16.29	-14.89	-16.75	-20.62
342	-29.50	-28.09	-25.31	-16.55	-22.38	-22.06	-19.91	-18.08	-16.14	-17.45	-20.94
343	-27.73	-28.48	-28.23	-17.12	-22.36	-23.15	-20.74	-20.17	-17.90	-18.63	-21.84
344	-25.66	-27.45	-31.57	-18.07	-22.76	-24.55	-21.47	-22.15	-20.19	-20.30	-23.34
345	-23.74	-25.63	-32.34	-19.46	-23.62	-26.48	-22.22	-23.38	-22.94	-22.49	-25.51
346	-22.08	-23.72	-29.29	-21.32	-24.92	-29.23	-23.19	-23.78	-25.81	-25.17	-28.35
347	-20.65	-22.00	-26.10	-23.63	-26.45	-33.09	-24.52	-23.99	-27.99	-28.23	-31.72
348	-19.44	-20.52	-23.61	-25.98	-27.56	-35.53	-26.20	-24.63	-29.17	-31.34	-34.60
349	-18.40	-19.26	-21.69	-26.99	-27.42	-32.07	-27.76	-26.02	-30.19	-33.92	-35.24
350	-17.51	-18.19	-20.18	-26.04	-26.27	-28.40	-27.95	-28.19	-31.65	-35.26	-33.99
351	-16.75	-17.28	-18.97	-24.52	-25.02	-25.91	-26.51	-30.21	-32.54	-34.40	-32.00
352	-16.10	-16.51	-17.99	-23.37	-24.16	-24.33	-24.73	-29.71	-30.76	-31.88	-29.68
353	-15.56	-15.87	-17.21	-22.78	-23.83	-23.44	-23.37	-27.51	-27.84	-29.23	-27.41
354	-15.11	-15.34	-16.58	-22.75	-24.07	-23.13	-22.58	-25.71	-25.51	-27.11	-25.45
355	-14.74	-14.91	-16.08	-23.29	-24.94	-23.36	-22.38	-24.80	-24.02	-25.60	-23.91
356	-14.46	-14.56	-15.70	-24.41	-26.56	-24.13	-22.79	-24.77	-23.32	-24.64	-22.80
357	-14.24	-14.30	-15.42	-26.15	-29.17	-25.51	-23.83	-25.62	-23.34	-24.13	-22.10
358	-14.09	-14.12	-15.23	-28.50	-33.21	-27.63	-25.61	-27.39	-24.07	-23.98	-21.76
359	-14.00	-14.01	-15.12	-31.05	-38.08	-30.75	-28.37	-30.02	-25.54	-24.10	-21.74

Vertical

0	-13.98	-13.96	-15.10	-32.24	-36.30	-35.52	-32.63	-32.44	-27.83	-24.45	-22.03
1	-14.20	-14.42	-15.67	-32.41	-35.70	-31.95	-28.15	-25.72	-24.87	-23.04	-20.49
2	-14.79	-15.31	-16.52	-30.20	-30.65	-29.73	-25.08	-22.44	-23.29	-22.73	-20.77
3	-15.72	-16.56	-17.53	-26.11	-26.40	-29.04	-23.18	-21.25	-22.17	-23.45	-22.50
4	-16.94	-18.04	-18.52	-22.91	-23.44	-29.70	-22.43	-21.38	-21.65	-25.41	-25.15
5	-18.32	-19.45	-19.34	-21.34	-21.75	-31.22	-22.96	-22.43	-22.47	-29.26	-27.15
6	-19.69	-20.41	-19.99	-21.08	-21.25	-31.94	-25.17	-24.54	-25.74	-37.37	-26.99
7	-20.81	-20.83	-20.72	-21.53	-21.74	-30.61	-30.06	-29.00	-35.52	-39.68	-26.08
8	-21.53	-21.00	-21.79	-21.68	-22.78	-28.98	-35.74	-44.68	-33.49	-31.86	-25.62
9	-21.95	-21.32	-23.37	-21.15	-23.72	-28.17	-30.02	-32.38	-26.90	-29.15	-25.91
10	-22.27	-21.95	-25.33	-20.95	-24.38	-28.34	-27.01	-27.30	-25.72	-28.90	-27.39
11	-22.49	-22.74	-26.84	-21.91	-25.42	-29.47	-26.91	-26.82	-27.34	-30.54	-31.40
12	-22.33	-23.10	-26.80	-23.84	-27.60	-31.74	-29.56	-29.95	-31.15	-32.00	-48.82
13	-21.55	-22.61	-25.78	-25.20	-31.98	-36.05	-37.60	-38.44	-33.76	-29.59	-32.40
14	-20.44	-21.64	-24.87	-26.65	-44.61	-46.83	-40.59	-32.76	-29.48	-26.85	-26.23
15	-19.44	-20.80	-24.34	-33.52	-36.51	-39.02	-31.29	-27.51	-25.41	-25.63	-23.84
16	-18.86	-20.38	-23.98	-32.78	-28.87	-32.37	-28.66	-25.13	-23.13	-25.88	-23.58
17	-18.75	-20.36	-23.45	-23.20	-25.24	-29.34	-28.71	-24.06	-22.51	-27.48	-25.29
18	-19.08	-20.51	-22.48	-20.12	-23.42	-28.28	-31.15	-24.13	-23.51	-30.38	-29.68
19	-19.64	-20.42	-21.14	-19.87	-22.90	-28.94	-37.59	-25.72	-26.41	-34.13	-37.00
20	-20.05	-19.84	-19.71	-21.25	-23.51	-31.79	-46.36	-29.53	-32.73	-36.57	-31.21
21	-19.89	-18.87	-18.42	-22.01	-25.05	-38.79	-34.48	-35.28	-42.56	-37.80	-27.26

22	-19.09	-17.89	-17.42	-20.86	-26.70	-38.42	-30.32	-31.12	-31.00	-38.13	-26.21
23	-18.04	-17.15	-16.75	-19.77	-26.29	-31.35	-27.93	-25.96	-26.84	-32.67	-26.98
24	-17.15	-16.75	-16.39	-19.35	-23.93	-28.30	-25.80	-22.88	-25.05	-28.15	-28.93
25	-16.62	-16.71	-16.26	-19.02	-21.72	-27.25	-23.71	-21.29	-24.46	-26.14	-31.75
26	-16.52	-16.90	-16.22	-18.43	-20.37	-27.42	-22.06	-20.96	-24.67	-26.58	-37.22
27	-16.80	-17.07	-16.11	-18.00	-19.98	-28.01	-21.22	-21.81	-25.76	-30.28	-47.69
28	-17.26	-16.95	-15.88	-18.26	-20.66	-27.76	-21.26	-23.84	-28.31	-39.66	-32.83
29	-17.55	-16.48	-15.60	-19.22	-22.55	-26.38	-21.92	-26.87	-33.01	-31.80	-28.48
30	-17.40	-15.86	-15.40	-19.96	-25.37	-24.86	-22.31	-27.59	-33.44	-27.58	-27.50
31	-16.91	-15.36	-15.39	-19.34	-25.72	-23.75	-21.74	-24.88	-28.53	-26.92	-27.15
32	-16.41	-15.12	-15.57	-18.15	-22.63	-22.99	-20.97	-23.54	-25.59	-26.99	-23.06
33	-16.10	-15.15	-15.88	-17.41	-20.14	-22.28	-20.89	-24.69	-23.61	-23.93	-18.44
34	-15.99	-15.37	-16.17	-16.99	-18.95	-21.37	-21.73	-26.64	-21.52	-20.00	-15.43
35	-15.98	-15.64	-16.25	-16.25	-18.76	-20.32	-22.65	-23.15	-19.38	-17.34	-14.00
36	-15.94	-15.77	-15.98	-15.08	-19.00	-19.41	-21.81	-19.28	-17.72	-16.06	-14.13
37	-15.72	-15.57	-15.32	-14.03	-18.75	-18.86	-19.66	-17.34	-16.88	-16.21	-16.08
38	-15.26	-14.97	-14.40	-13.49	-17.74	-18.82	-17.98	-16.98	-17.09	-18.03	-20.78
39	-14.51	-14.02	-13.42	-13.52	-16.70	-19.36	-17.38	-18.05	-18.74	-21.94	-24.96
40	-13.54	-12.93	-12.56	-13.95	-16.33	-20.48	-18.07	-20.84	-22.18	-23.65	-18.65
41	-12.53	-11.93	-11.97	-14.58	-16.95	-22.08	-20.42	-26.48	-23.31	-19.24	-15.12
42	-11.65	-11.17	-11.69	-15.30	-18.69	-23.60	-25.13	-27.98	-19.23	-16.47	-13.93
43	-11.01	-10.74	-11.75	-16.11	-21.25	-23.99	-27.96	-21.73	-16.77	-15.68	-14.32
44	-10.68	-10.67	-12.10	-16.84	-22.10	-23.12	-23.02	-18.69	-16.48	-16.40	-15.41
45	-10.66	-10.94	-12.59	-16.85	-19.80	-22.09	-20.13	-17.84	-18.13	-17.90	-15.56
46	-10.91	-11.48	-13.03	-15.76	-17.42	-21.61	-19.32	-18.74	-21.03	-18.48	-14.49
47	-11.38	-12.18	-13.26	-14.29	-15.96	-21.94	-20.11	-21.27	-21.49	-17.42	-13.70
48	-12.01	-12.87	-13.25	-13.23	-15.31	-23.31	-22.11	-23.63	-18.72	-16.25	-13.90
49	-12.76	-13.45	-13.19	-12.81	-15.34	-26.03	-23.58	-20.78	-16.26	-15.80	-15.02
50	-13.59	-13.89	-13.26	-13.02	-15.92	-29.72	-21.69	-16.80	-14.71	-16.11	-16.50
51	-14.45	-14.26	-13.59	-13.64	-17.03	-28.61	-18.72	-14.13	-14.05	-17.06	-17.42
52	-15.25	-14.67	-14.24	-14.35	-18.69	-24.39	-16.48	-12.81	-14.25	-18.44	-17.50
53	-15.89	-15.16	-15.21	-14.90	-20.89	-21.53	-15.11	-12.81	-15.19	-19.60	-17.32
54	-16.24	-15.71	-16.41	-15.55	-22.97	-20.01	-14.56	-14.15	-16.54	-19.63	-17.27
55	-16.28	-16.24	-17.73	-17.03	-23.07	-19.60	-14.81	-16.75	-17.96	-18.78	-17.34
56	-16.10	-16.71	-18.95	-20.17	-21.58	-20.21	-15.83	-19.54	-19.25	-18.16	-17.48
57	-15.84	-17.13	-19.87	-25.42	-20.52	-21.89	-17.47	-20.03	-20.37	-18.41	-17.89
58	-15.65	-17.56	-20.32	-25.47	-20.57	-24.50	-19.12	-18.97	-21.35	-19.80	-18.92
59	-15.64	-18.01	-20.25	-21.82	-21.81	-26.60	-19.72	-18.16	-22.12	-22.59	-20.73
60	-15.87	-18.39	-19.70	-20.17	-24.17	-25.78	-19.28	-17.98	-22.69	-27.29	-22.87
61	-16.32	-18.50	-18.81	-19.80	-27.42	-24.08	-18.83	-18.56	-23.62	-35.06	-24.34
62	-16.89	-18.20	-17.78	-20.37	-30.83	-23.37	-18.95	-20.06	-25.83	-41.80	-25.40
63	-17.42	-17.53	-16.78	-22.28	-33.70	-23.93	-19.78	-22.47	-30.13	-39.69	-27.75
64	-17.67	-16.68	-15.94	-26.16	-37.10	-25.85	-21.41	-25.58	-36.33	-39.78	-34.09
65	-17.45	-15.82	-15.32	-31.60	-42.84	-29.15	-24.04	-28.85	-36.26	-35.20	-42.99

66	-16.77	-15.04	-14.94	-33.32	-37.03	-32.58	-28.03	-31.15	-29.50	-30.21	-29.35
67	-15.77	-14.39	-14.79	-31.46	-30.91	-32.17	-33.11	-30.78	-24.47	-26.85	-24.77
68	-14.68	-13.91	-14.87	-28.04	-27.96	-30.18	-33.08	-28.05	-21.90	-24.64	-22.38
69	-13.69	-13.61	-15.14	-25.90	-27.50	-29.07	-29.72	-25.13	-21.49	-23.24	-21.13
70	-12.90	-13.48	-15.56	-25.78	-30.20	-28.78	-27.55	-23.34	-22.98	-22.59	-20.88
71	-12.36	-13.49	-16.00	-25.16	-40.15	-29.15	-26.41	-23.10	-25.79	-22.83	-21.99
72	-12.07	-13.58	-16.28	-22.44	-30.23	-30.43	-26.30	-24.55	-28.90	-24.32	-25.01
73	-11.98	-13.66	-16.23	-20.49	-24.10	-33.44	-27.71	-27.37	-33.36	-27.95	-28.76
74	-12.06	-13.68	-15.86	-19.98	-21.73	-39.15	-32.22	-28.33	-33.35	-37.17	-27.04
75	-12.23	-13.61	-15.35	-19.89	-21.83	-35.72	-51.46	-25.81	-25.91	-36.43	-25.79
76	-12.47	-13.53	-14.93	-19.48	-24.72	-29.93	-31.19	-23.48	-22.14	-29.79	-28.61
77	-12.73	-13.48	-14.76	-19.94	-34.19	-26.87	-25.88	-22.00	-20.92	-27.89	-29.02
78	-13.00	-13.52	-14.90	-23.21	-31.68	-25.48	-23.57	-21.08	-21.77	-25.67	-22.02
79	-13.28	-13.68	-15.36	-30.92	-23.90	-25.26	-22.41	-20.51	-23.90	-21.78	-18.58
80	-13.51	-13.92	-16.09	-22.52	-21.04	-25.86	-21.41	-20.15	-22.64	-18.65	-17.81
81	-13.68	-14.22	-16.98	-17.54	-20.02	-26.80	-20.50	-20.02	-19.15	-17.11	-19.29
82	-13.75	-14.53	-17.89	-15.47	-19.96	-27.42	-20.26	-20.43	-17.52	-17.24	-23.29
83	-13.78	-14.88	-18.68	-14.79	-20.43	-27.43	-21.02	-22.09	-18.34	-19.19	-31.37
84	-13.82	-15.30	-19.32	-14.77	-21.05	-27.29	-22.24	-25.36	-22.24	-22.91	-39.73
85	-13.97	-15.87	-19.94	-15.23	-21.42	-27.59	-22.31	-24.64	-26.44	-24.25	-27.26
86	-14.29	-16.66	-20.80	-16.47	-21.58	-28.78	-21.45	-20.44	-21.39	-21.36	-21.09
87	-14.84	-17.73	-22.20	-18.20	-22.28	-31.54	-21.59	-18.46	-18.61	-19.70	-17.46
88	-15.66	-19.17	-24.58	-18.00	-24.19	-38.32	-24.00	-18.86	-18.18	-19.63	-15.75
89	-16.83	-21.18	-29.03	-15.69	-25.68	-40.47	-31.20	-21.51	-19.02	-20.48	-15.57
90	-18.49	-24.22	-37.66	-13.74	-22.78	-30.01	-32.76	-25.15	-20.82	-21.25	-16.52
91	-20.95	-29.74	-29.51	-12.25	-19.06	-24.89	-23.43	-25.13	-24.89	-20.70	-17.68
92	-24.96	-38.08	-23.14	-10.51	-16.21	-21.53	-18.70	-22.39	-28.34	-18.33	-17.46
93	-32.35	-26.63	-19.22	-8.53	-13.85	-19.04	-15.37	-18.23	-19.60	-15.28	-15.15
94	-28.50	-20.65	-16.36	-6.84	-11.79	-17.04	-12.92	-14.29	-14.61	-12.67	-12.02
95	-21.42	-16.71	-14.07	-5.69	-10.11	-15.36	-11.31	-11.64	-11.95	-10.82	-9.34
96	-17.01	-13.73	-12.10	-4.98	-8.90	-13.94	-10.49	-10.30	-10.66	-9.69	-7.53
97	-13.79	-11.32	-10.34	-4.47	-8.12	-12.75	-10.31	-10.02	-10.29	-9.08	-6.58
98	-11.26	-9.31	-8.73	-3.90	-7.65	-11.76	-10.51	-10.50	-10.44	-8.69	-6.26
99	-9.21	-7.61	-7.25	-3.19	-7.31	-10.96	-10.76	-11.28	-10.73	-8.32	-6.20
100	-7.51	-6.17	-5.90	-2.43	-6.97	-10.29	-10.77	-11.83	-10.77	-7.92	-6.09
101	-6.10	-4.95	-4.69	-1.78	-6.54	-9.72	-10.45	-11.77	-10.40	-7.58	-5.88
102	-4.92	-3.91	-3.63	-1.38	-6.05	-9.24	-9.92	-11.15	-9.76	-7.37	-5.69
103	-3.91	-3.02	-2.72	-1.27	-5.57	-8.81	-9.41	-10.36	-9.21	-7.37	-5.68
104	-3.06	-2.25	-1.95	-1.35	-5.18	-8.44	-9.10	-9.78	-9.03	-7.61	-5.99
105	-2.32	-1.59	-1.32	-1.48	-4.93	-8.11	-9.03	-9.65	-9.40	-8.11	-6.66
106	-1.70	-1.03	-0.80	-1.50	-4.79	-7.79	-9.14	-10.07	-10.33	-8.74	-7.42
107	-1.19	-0.57	-0.38	-1.35	-4.64	-7.50	-9.29	-10.99	-11.63	-9.06	-7.54
108	-0.80	-0.20	-0.05	-1.07	-4.38	-7.22	-9.33	-12.20	-12.65	-8.67	-6.68
109	-0.53	0.06	0.22	-0.71	-3.94	-6.97	-9.22	-13.27	-12.61	-7.82	-5.47



110	-0.34	0.25	0.44	-0.31	-3.36	-6.75	-9.04	-13.70	-11.79	-7.02	-4.53
111	-0.24	0.37	0.63	0.15	-2.78	-6.57	-8.93	-13.35	-11.03	-6.52	-4.08
112	-0.17	0.45	0.79	0.60	-2.30	-6.42	-9.02	-12.56	-10.59	-6.31	-4.08
113	-0.12	0.54	0.93	0.97	-2.00	-6.29	-9.36	-11.76	-10.33	-6.29	-4.39
114	-0.04	0.65	1.05	1.15	-1.87	-6.19	-9.85	-11.13	-9.96	-6.31	-4.73
115	0.08	0.79	1.14	1.13	-1.86	-6.11	-10.26	-10.58	-9.31	-6.29	-4.84
116	0.24	0.97	1.21	0.96	-1.88	-6.04	-10.34	-9.96	-8.47	-6.23	-4.68
117	0.44	1.16	1.25	0.74	-1.85	-5.96	-10.04	-9.34	-7.71	-6.19	-4.44
118	0.66	1.36	1.27	0.58	-1.74	-5.85	-9.51	-8.99	-7.30	-6.26	-4.36
119	0.87	1.52	1.28	0.54	-1.56	-5.69	-8.96	-9.05	-7.33	-6.45	-4.58
120	1.06	1.64	1.29	0.56	-1.36	-5.47	-8.57	-9.59	-7.68	-6.69	-5.08
121	1.20	1.71	1.31	0.54	-1.21	-5.20	-8.42	-10.53	-7.99	-6.79	-5.63
122	1.31	1.73	1.36	0.45	-1.15	-4.91	-8.49	-11.62	-7.81	-6.56	-5.95
123	1.37	1.73	1.45	0.38	-1.18	-4.62	-8.71	-12.18	-7.07	-5.93	-5.89
124	1.42	1.73	1.60	0.46	-1.29	-4.37	-9.00	-11.59	-6.15	-5.04	-5.51
125	1.48	1.78	1.79	0.72	-1.43	-4.20	-9.32	-10.30	-5.48	-4.13	-4.89
126	1.56	1.90	2.02	1.05	-1.59	-4.13	-9.69	-9.04	-5.19	-3.44	-4.16
127	1.70	2.10	2.27	1.21	-1.76	-4.18	-10.15	-8.05	-5.19	-3.06	-3.48
128	1.91	2.36	2.52	1.03	-1.98	-4.32	-10.66	-7.30	-5.20	-2.98	-3.01
129	2.17	2.66	2.75	0.49	-2.28	-4.51	-11.04	-6.66	-4.93	-3.13	-2.82
130	2.47	2.96	2.95	-0.27	-2.62	-4.67	-10.97	-6.02	-4.36	-3.35	-2.89
131	2.77	3.22	3.12	-0.94	-2.91	-4.73	-10.30	-5.48	-3.69	-3.50	-3.14
132	3.05	3.43	3.25	-1.23	-3.04	-4.62	-9.19	-5.24	-3.22	-3.51	-3.45
133	3.28	3.56	3.33	-1.11	-2.93	-4.33	-8.03	-5.41	-3.10	-3.39	-3.66
134	3.45	3.60	3.37	-0.76	-2.59	-3.92	-7.12	-5.90	-3.35	-3.19	-3.60
135	3.56	3.58	3.36	-0.39	-2.10	-3.46	-6.57	-6.42	-3.80	-2.96	-3.28
136	3.60	3.49	3.32	-0.09	-1.57	-2.98	-6.37	-6.62	-4.18	-2.70	-2.76
137	3.60	3.37	3.25	0.19	-1.11	-2.54	-6.37	-6.35	-4.29	-2.40	-2.21
138	3.55	3.24	3.17	0.47	-0.79	-2.14	-6.36	-5.76	-4.06	-2.08	-1.73
139	3.47	3.14	3.09	0.72	-0.62	-1.77	-6.11	-5.17	-3.57	-1.75	-1.38
140	3.39	3.08	3.03	0.86	-0.57	-1.41	-5.50	-4.86	-3.01	-1.42	-1.18
141	3.33	3.08	2.99	0.83	-0.51	-1.05	-4.61	-4.89	-2.53	-1.12	-1.11
142	3.30	3.14	2.99	0.64	-0.32	-0.65	-3.61	-5.09	-2.17	-0.87	-1.14
143	3.31	3.24	3.04	0.48	0.05	-0.22	-2.66	-5.13	-1.95	-0.69	-1.23
144	3.36	3.37	3.13	0.61	0.59	0.25	-1.86	-4.76	-1.82	-0.60	-1.41
145	3.43	3.52	3.24	1.13	1.21	0.72	-1.23	-4.00	-1.72	-0.58	-1.68
146	3.51	3.66	3.38	1.84	1.79	1.19	-0.72	-3.10	-1.58	-0.61	-2.04
147	3.59	3.78	3.52	2.48	2.27	1.64	-0.28	-2.32	-1.38	-0.61	-2.40
148	3.65	3.88	3.66	2.92	2.63	2.05	0.14	-1.74	-1.14	-0.52	-2.66
149	3.68	3.95	3.77	3.16	2.89	2.42	0.58	-1.31	-0.84	-0.30	-2.70
150	3.70	4.00	3.87	3.31	3.10	2.74	1.01	-0.88	-0.45	0.06	-2.46
151	3.70	4.03	3.95	3.49	3.30	3.01	1.40	-0.36	0.04	0.54	-1.96
152	3.70	4.04	4.02	3.76	3.52	3.24	1.73	0.26	0.64	1.08	-1.31
153	3.70	4.05	4.08	4.10	3.75	3.42	1.98	0.88	1.30	1.62	-0.64

154	3.72	4.07	4.16	4.42	3.95	3.57	2.15	1.42	1.97	2.11	-0.06
155	3.75	4.10	4.25	4.66	4.09	3.69	2.27	1.85	2.57	2.49	0.35
156	3.81	4.16	4.36	4.78	4.15	3.80	2.38	2.21	3.06	2.75	0.57
157	3.89	4.24	4.48	4.81	4.18	3.91	2.52	2.52	3.42	2.88	0.62
158	3.98	4.35	4.63	4.80	4.21	4.03	2.72	2.84	3.64	2.91	0.56
159	4.08	4.48	4.77	4.82	4.32	4.16	2.99	3.14	3.74	2.88	0.48
160	4.17	4.62	4.91	4.88	4.52	4.31	3.30	3.41	3.77	2.82	0.51
161	4.25	4.76	5.04	4.96	4.78	4.46	3.62	3.62	3.76	2.78	0.70
162	4.32	4.89	5.14	5.03	5.06	4.62	3.90	3.73	3.73	2.77	0.99
163	4.37	4.99	5.21	5.07	5.27	4.78	4.11	3.75	3.70	2.80	1.27
164	4.41	5.06	5.26	5.04	5.37	4.91	4.23	3.72	3.65	2.83	1.44
165	4.45	5.11	5.28	4.97	5.35	5.02	4.27	3.66	3.56	2.83	1.49
166	4.49	5.13	5.27	4.85	5.26	5.11	4.27	3.60	3.45	2.77	1.46
167	4.54	5.14	5.26	4.76	5.16	5.19	4.27	3.55	3.33	2.68	1.43
168	4.61	5.15	5.23	4.73	5.14	5.27	4.29	3.52	3.24	2.58	1.48
169	4.70	5.17	5.21	4.80	5.23	5.36	4.37	3.51	3.20	2.53	1.63
170	4.80	5.21	5.18	4.96	5.43	5.46	4.49	3.51	3.20	2.54	1.86
171	4.90	5.26	5.17	5.16	5.66	5.58	4.63	3.52	3.22	2.60	2.13
172	5.00	5.33	5.17	5.34	5.87	5.71	4.76	3.52	3.22	2.70	2.40
173	5.07	5.40	5.18	5.50	6.01	5.84	4.86	3.50	3.19	2.81	2.64
174	5.11	5.46	5.19	5.64	6.10	5.97	4.91	3.47	3.15	2.91	2.84
175	5.13	5.50	5.22	5.78	6.18	6.09	4.95	3.47	3.15	3.01	3.00
176	5.12	5.52	5.26	5.92	6.29	6.19	4.98	3.55	3.24	3.11	3.13
177	5.08	5.51	5.30	6.04	6.46	6.28	5.05	3.74	3.41	3.25	3.25
178	5.03	5.48	5.34	6.09	6.64	6.36	5.17	4.01	3.65	3.41	3.40
179	4.97	5.44	5.39	6.03	6.80	6.43	5.31	4.31	3.89	3.57	3.61
180	4.92	5.39	5.44	5.84	6.86	6.50	5.44	4.54	4.10	3.73	3.88
181	4.88	5.36	5.48	5.55	6.80	6.56	5.52	4.66	4.23	3.86	4.20
182	4.85	5.33	5.51	5.24	6.65	6.61	5.51	4.63	4.29	3.98	4.52
183	4.84	5.33	5.54	4.97	6.46	6.64	5.43	4.50	4.30	4.11	4.82
184	4.85	5.35	5.56	4.80	6.27	6.64	5.30	4.32	4.28	4.26	5.06
185	4.86	5.38	5.58	4.74	6.13	6.61	5.16	4.15	4.25	4.44	5.25
186	4.87	5.42	5.58	4.75	6.02	6.55	5.07	4.04	4.21	4.64	5.41
187	4.87	5.45	5.58	4.77	5.91	6.46	5.05	3.97	4.18	4.82	5.55
188	4.86	5.46	5.57	4.76	5.76	6.37	5.10	3.94	4.14	4.93	5.67
189	4.84	5.44	5.55	4.68	5.59	6.29	5.21	3.92	4.09	4.96	5.74
190	4.80	5.40	5.52	4.51	5.42	6.23	5.34	3.89	4.02	4.93	5.72
191	4.76	5.35	5.46	4.29	5.31	6.19	5.45	3.87	3.94	4.87	5.62
192	4.72	5.27	5.39	4.04	5.27	6.19	5.52	3.90	3.88	4.84	5.46
193	4.69	5.20	5.31	3.80	5.30	6.20	5.54	4.00	3.88	4.88	5.31
194	4.67	5.14	5.22	3.60	5.33	6.22	5.53	4.15	3.97	5.01	5.22
195	4.68	5.09	5.12	3.46	5.30	6.23	5.50	4.30	4.17	5.19	5.25
196	4.71	5.07	5.03	3.39	5.19	6.22	5.47	4.41	4.44	5.38	5.35
197	4.75	5.07	4.94	3.41	5.02	6.18	5.45	4.43	4.71	5.52	5.44

198	4.78	5.08	4.88	3.53	4.87	6.11	5.44	4.38	4.91	5.59	5.46
199	4.80	5.07	4.82	3.74	4.81	6.01	5.46	4.32	5.02	5.59	5.36
200	4.79	5.05	4.77	3.96	4.87	5.88	5.47	4.34	5.05	5.55	5.15
201	4.73	4.99	4.71	4.10	5.01	5.74	5.48	4.52	5.07	5.51	4.90
202	4.63	4.88	4.65	4.06	5.11	5.58	5.46	4.84	5.12	5.49	4.67
203	4.50	4.74	4.56	3.83	5.10	5.42	5.40	5.20	5.24	5.48	4.50
204	4.36	4.57	4.45	3.45	4.94	5.26	5.30	5.46	5.37	5.46	4.39
205	4.23	4.38	4.32	3.06	4.67	5.09	5.14	5.52	5.43	5.40	4.30
206	4.14	4.22	4.17	2.86	4.40	4.92	4.94	5.37	5.38	5.28	4.18
207	4.09	4.08	4.01	2.93	4.21	4.75	4.73	5.04	5.20	5.09	4.01
208	4.08	3.98	3.87	3.20	4.17	4.57	4.52	4.67	4.94	4.85	3.80
209	4.10	3.94	3.74	3.45	4.21	4.39	4.34	4.39	4.66	4.57	3.57
210	4.13	3.93	3.65	3.53	4.24	4.20	4.20	4.25	4.45	4.30	3.33
211	4.14	3.93	3.59	3.37	4.13	4.01	4.09	4.21	4.30	4.04	3.07
212	4.10	3.93	3.56	3.06	3.86	3.82	3.97	4.14	4.17	3.82	2.77
213	4.01	3.90	3.55	2.72	3.46	3.63	3.84	3.96	4.00	3.62	2.43
214	3.86	3.85	3.55	2.49	3.00	3.44	3.68	3.69	3.78	3.42	2.08
215	3.67	3.77	3.55	2.38	2.57	3.25	3.49	3.40	3.51	3.20	1.73
216	3.46	3.65	3.52	2.22	2.19	3.05	3.30	3.22	3.27	2.95	1.40
217	3.26	3.52	3.46	1.85	1.85	2.85	3.15	3.19	3.12	2.67	1.04
218	3.10	3.37	3.36	1.25	1.46	2.63	3.09	3.25	3.05	2.42	0.65
219	2.98	3.22	3.21	0.57	1.00	2.38	3.12	3.28	3.04	2.25	0.19
220	2.91	3.07	3.02	0.06	0.49	2.12	3.20	3.23	3.04	2.23	-0.27
221	2.87	2.92	2.79	-0.06	0.02	1.84	3.27	3.12	3.03	2.35	-0.59
222	2.85	2.77	2.54	0.07	-0.31	1.55	3.26	3.04	3.04	2.55	-0.66
223	2.82	2.62	2.30	0.10	-0.46	1.28	3.14	3.06	3.11	2.72	-0.50
224	2.75	2.46	2.08	-0.22	-0.54	1.03	2.92	3.14	3.22	2.80	-0.28
225	2.63	2.30	1.91	-0.86	-0.67	0.81	2.65	3.18	3.31	2.75	-0.15
226	2.46	2.13	1.79	-1.60	-0.94	0.63	2.42	3.10	3.34	2.63	-0.23
227	2.25	1.97	1.73	-2.13	-1.31	0.46	2.29	2.89	3.27	2.53	-0.50
228	2.02	1.82	1.70	-2.30	-1.66	0.29	2.28	2.68	3.17	2.54	-0.83
229	1.78	1.68	1.69	-2.23	-1.84	0.07	2.32	2.63	3.16	2.71	-0.99
230	1.55	1.56	1.65	-2.30	-1.84	-0.22	2.30	2.82	3.30	2.96	-0.86
231	1.32	1.43	1.57	-2.74	-1.84	-0.61	2.10	3.07	3.53	3.16	-0.56
232	1.11	1.29	1.43	-3.57	-2.08	-1.11	1.67	3.16	3.72	3.17	-0.30
233	0.90	1.14	1.22	-4.51	-2.77	-1.70	1.03	2.88	3.71	2.94	-0.30
234	0.70	0.97	0.94	-4.96	-3.98	-2.35	0.28	2.17	3.37	2.46	-0.69
235	0.51	0.80	0.64	-4.25	-5.39	-3.02	-0.37	1.15	2.72	1.79	-1.46
236	0.34	0.66	0.35	-2.74	-5.91	-3.64	-0.67	0.22	1.91	1.10	-2.47
237	0.23	0.55	0.11	-1.29	-4.82	-4.12	-0.53	0.06	1.32	0.57	-3.35
238	0.20	0.52	-0.04	-0.31	-3.11	-4.44	-0.16	0.77	1.28	0.32	-3.66
239	0.24	0.56	-0.08	0.15	-1.72	-4.59	0.17	1.67	1.67	0.29	-3.33
240	0.34	0.65	-0.05	0.21	-0.93	-4.62	0.24	2.20	2.07	0.27	-2.74
241	0.45	0.74	0.02	-0.10	-0.77	-4.63	0.01	2.17	2.21	0.10	-2.28

242	0.53	0.79	0.05	-0.82	-1.17	-4.67	-0.49	1.64	2.00	-0.26	-2.10
243	0.52	0.74	0.00	-1.90	-2.02	-4.79	-1.15	0.83	1.50	-0.78	-2.23
244	0.38	0.55	-0.18	-2.93	-2.99	-5.01	-1.77	0.14	0.93	-1.36	-2.56
245	0.07	0.19	-0.53	-3.20	-3.62	-5.33	-2.15	-0.04	0.58	-1.88	-2.92
246	-0.43	-0.36	-1.06	-2.60	-3.67	-5.75	-2.27	0.21	0.56	-2.24	-3.17
247	-1.13	-1.11	-1.76	-1.83	-3.40	-6.26	-2.31	0.42	0.63	-2.50	-3.27
248	-2.00	-2.03	-2.62	-1.45	-3.26	-6.88	-2.54	0.17	0.45	-2.84	-3.34
249	-3.04	-3.10	-3.64	-1.69	-3.49	-7.64	-3.10	-0.69	-0.17	-3.39	-3.59
250	-4.18	-4.29	-4.79	-2.55	-4.16	-8.60	-4.08	-2.13	-1.32	-4.26	-4.12
251	-5.37	-5.53	-6.05	-3.87	-5.26	-9.84	-5.54	-3.94	-2.98	-5.55	-5.07
252	-6.49	-6.72	-7.32	-5.28	-6.62	-11.43	-7.51	-5.68	-5.02	-7.40	-6.55
253	-7.44	-7.75	-8.45	-6.29	-7.92	-13.41	-9.68	-6.81	-6.85	-9.69	-8.50
254	-8.21	-8.56	-9.31	-6.86	-8.92	-15.73	-11.20	-7.45	-7.78	-11.58	-10.10
255	-8.89	-9.23	-9.95	-7.67	-9.94	-18.03	-11.83	-8.52	-8.41	-12.34	-10.58
256	-9.70	-9.98	-10.60	-9.29	-11.58	-19.69	-12.75	-10.71	-10.03	-13.09	-11.08
257	-10.85	-11.03	-11.55	-11.37	-13.95	-20.61	-15.07	-13.42	-13.26	-15.21	-13.02
258	-12.42	-12.53	-13.05	-12.45	-15.94	-21.53	-19.10	-14.33	-16.25	-19.24	-16.82
259	-14.30	-14.45	-15.19	-13.01	-16.59	-23.17	-21.12	-14.65	-15.84	-22.13	-19.25
260	-15.94	-16.31	-17.66	-14.83	-17.69	-25.98	-19.44	-16.92	-16.32	-21.06	-18.25
261	-16.66	-17.28	-19.25	-17.36	-20.67	-29.85	-19.65	-20.42	-20.08	-21.89	-19.29
262	-16.80	-17.41	-19.24	-17.99	-23.44	-31.81	-23.26	-19.91	-23.80	-26.85	-24.30
263	-17.28	-17.72	-19.02	-18.91	-22.03	-30.31	-29.83	-19.60	-20.65	-30.00	-27.82
264	-18.72	-19.03	-19.84	-21.97	-22.03	-29.35	-25.37	-22.98	-20.68	-25.15	-24.16
265	-21.46	-22.05	-22.47	-21.70	-26.47	-29.92	-22.99	-25.65	-25.18	-25.15	-25.64
266	-24.43	-27.61	-28.91	-20.27	-33.20	-31.96	-24.51	-22.07	-26.18	-30.69	-34.01
267	-23.05	-27.26	-38.23	-22.94	-24.65	-35.26	-28.95	-22.06	-22.53	-31.66	-27.58
268	-19.81	-21.71	-25.33	-25.89	-22.55	-39.05	-28.02	-25.96	-23.11	-25.56	-24.26
269	-17.61	-18.61	-21.09	-21.16	-24.61	-42.27	-25.27	-26.66	-26.74	-24.92	-26.35
270	-16.45	-17.10	-19.25	-20.59	-30.52	-46.19	-25.85	-24.50	-26.90	-29.31	-34.99
271	-16.06	-16.67	-18.76	-25.37	-29.28	-49.83	-29.81	-26.67	-26.16	-43.83	-29.31
272	-16.34	-17.14	-19.28	-27.67	-26.41	-44.83	-32.56	-29.42	-29.13	-28.51	-25.61
273	-17.30	-18.53	-20.67	-22.93	-27.28	-41.84	-29.45	-25.20	-29.86	-25.50	-26.27
274	-19.14	-21.10	-22.98	-24.36	-29.44	-41.69	-29.42	-24.82	-27.58	-26.58	-29.96
275	-22.33	-25.57	-26.35	-37.64	-28.59	-43.17	-34.52	-31.08	-30.73	-31.40	-36.18
276	-28.41	-33.09	-30.42	-28.24	-28.23	-42.18	-48.67	-32.74	-43.73	-35.53	-51.45
277	-40.37	-30.05	-30.83	-24.62	-31.24	-38.90	-32.99	-25.23	-28.38	-31.04	-35.72
278	-28.59	-25.22	-27.67	-28.05	-35.80	-36.85	-30.50	-25.00	-26.53	-29.63	-30.11
279	-24.38	-23.25	-25.34	-40.35	-32.58	-36.42	-32.19	-30.54	-30.65	-31.00	-29.11
280	-22.95	-23.05	-24.23	-28.22	-32.22	-37.38	-38.89	-31.79	-30.17	-34.82	-30.65
281	-23.16	-24.33	-24.18	-26.45	-38.37	-39.03	-40.53	-25.62	-24.63	-36.43	-29.54
282	-24.72	-27.11	-25.06	-29.71	-36.78	-39.78	-32.50	-24.58	-23.77	-30.50	-26.36
283	-27.55	-31.21	-26.66	-32.55	-30.65	-39.18	-28.84	-26.35	-26.50	-26.32	-24.93
284	-31.14	-33.21	-28.22	-27.35	-30.02	-38.64	-27.11	-27.30	-28.79	-24.11	-24.68
285	-32.05	-31.18	-28.35	-24.78	-31.08	-38.47	-26.70	-24.75	-25.31	-23.14	-23.88

286	-28.97	-29.52	-27.17	-24.62	-27.42	-37.58	-26.46	-22.36	-22.86	-22.33	-22.12
287	-25.67	-28.56	-25.98	-25.66	-23.74	-35.10	-24.52	-20.92	-21.46	-20.77	-20.39
288	-23.03	-27.52	-25.26	-25.19	-22.25	-31.93	-21.85	-19.95	-20.16	-18.96	-19.02
289	-21.12	-26.23	-25.00	-23.08	-22.48	-29.02	-20.03	-18.85	-18.70	-17.66	-17.88
290	-19.95	-25.09	-25.01	-21.40	-23.68	-26.71	-19.24	-17.48	-17.22	-16.99	-16.98
291	-19.48	-24.41	-25.10	-20.23	-24.66	-25.16	-18.92	-16.22	-16.13	-16.60	-16.50
292	-19.69	-24.12	-25.11	-19.38	-24.42	-24.49	-18.27	-15.33	-15.68	-16.15	-16.61
293	-20.46	-23.88	-24.98	-19.04	-22.63	-24.86	-17.35	-14.84	-15.53	-15.77	-17.31
294	-21.54	-23.31	-24.63	-19.13	-20.28	-26.57	-16.99	-14.85	-15.25	-15.91	-18.42
295	-22.42	-22.37	-24.01	-19.16	-18.72	-30.06	-17.86	-15.73	-15.27	-17.07	-19.91
296	-22.60	-21.35	-23.13	-19.22	-18.61	-33.01	-20.41	-18.13	-16.68	-19.79	-22.29
297	-22.12	-20.49	-22.07	-20.15	-20.29	-29.01	-24.70	-23.09	-20.68	-24.94	-25.32
298	-21.39	-19.83	-20.91	-22.88	-24.24	-25.38	-26.17	-28.43	-27.11	-27.84	-24.06
299	-20.67	-19.32	-19.70	-28.38	-29.02	-23.60	-23.63	-24.57	-23.20	-23.09	-21.02
300	-19.96	-18.86	-18.49	-30.43	-25.67	-23.31	-22.51	-22.78	-20.24	-20.73	-20.14
301	-19.23	-18.35	-17.35	-25.43	-21.66	-24.35	-22.84	-22.05	-19.81	-20.69	-21.78
302	-18.46	-17.78	-16.37	-21.94	-19.21	-26.57	-23.70	-20.28	-20.52	-22.80	-26.66
303	-17.73	-17.19	-15.65	-18.69	-18.10	-28.40	-24.55	-19.56	-22.84	-28.46	-32.84
304	-17.11	-16.67	-15.27	-16.04	-18.54	-26.97	-24.80	-22.48	-33.44	-28.79	-25.74
305	-16.70	-16.32	-15.27	-14.70	-20.80	-24.57	-22.24	-26.16	-23.82	-19.77	-20.08
306	-16.56	-16.24	-15.68	-14.68	-23.91	-23.14	-18.27	-16.66	-15.62	-14.86	-16.03
307	-16.77	-16.49	-16.49	-15.14	-22.67	-22.79	-15.24	-11.94	-11.92	-12.13	-13.43
308	-17.39	-17.15	-17.60	-14.84	-20.16	-23.31	-13.49	-10.00	-10.46	-11.00	-12.27
309	-18.51	-18.24	-18.84	-14.40	-19.56	-24.31	-12.94	-9.97	-10.71	-11.33	-12.56
310	-20.26	-19.76	-19.92	-15.23	-20.89	-25.15	-13.49	-11.57	-12.59	-13.11	-14.32
311	-22.81	-21.57	-20.58	-17.92	-23.88	-25.45	-15.08	-14.66	-16.16	-16.38	-17.60
312	-26.50	-23.26	-20.76	-21.84	-27.57	-25.65	-17.61	-18.82	-20.78	-20.64	-21.76
313	-32.07	-24.36	-20.57	-23.88	-29.95	-26.40	-20.97	-22.55	-23.51	-24.32	-24.56
314	-41.16	-24.92	-20.17	-25.11	-31.25	-27.95	-25.35	-24.25	-24.95	-26.93	-27.27
315	-40.08	-25.50	-19.72	-27.86	-32.35	-29.68	-31.53	-24.75	-25.21	-25.47	-35.02
316	-34.22	-26.35	-19.42	-28.92	-33.81	-29.91	-28.92	-24.47	-21.78	-21.26	-27.59
317	-30.09	-26.71	-19.41	-27.78	-39.55	-28.96	-23.56	-22.82	-19.22	-18.68	-21.22
318	-26.73	-25.58	-19.76	-24.35	-39.97	-28.76	-21.05	-20.42	-18.42	-17.49	-18.19
319	-24.26	-23.68	-20.43	-20.26	-28.73	-30.16	-20.41	-18.59	-18.31	-16.83	-16.77
320	-22.74	-22.21	-21.26	-18.02	-23.77	-32.36	-20.75	-17.73	-17.58	-16.20	-16.33
321	-22.20	-21.64	-22.11	-17.84	-21.08	-30.07	-20.62	-17.58	-16.47	-15.82	-16.59
322	-22.69	-22.13	-23.11	-19.48	-19.78	-25.81	-19.29	-17.48	-15.90	-15.91	-17.39
323	-24.39	-23.99	-24.76	-22.44	-19.57	-22.98	-17.87	-17.07	-16.01	-16.27	-18.44
324	-27.75	-28.05	-27.98	-25.16	-20.39	-21.53	-17.15	-16.73	-16.31	-16.59	-19.29
325	-34.46	-38.38	-33.26	-26.19	-22.35	-21.24	-17.28	-16.91	-16.43	-17.09	-19.84
326	-52.96	-33.22	-29.20	-26.46	-25.75	-21.95	-18.24	-17.81	-16.78	-18.38	-20.67
327	-34.42	-26.15	-23.50	-26.44	-31.03	-23.58	-20.11	-19.50	-18.08	-21.04	-22.48
328	-29.82	-22.82	-20.15	-25.76	-36.50	-25.90	-23.24	-22.26	-20.96	-25.75	-25.92
329	-27.05	-21.00	-18.26	-25.03	-36.60	-28.47	-28.72	-27.17	-26.48	-34.84	-31.53

330	-24.80	-20.04	-17.41	-25.81	-38.66	-31.28	-42.97	-40.46	-41.32	-41.58	-33.86
331	-23.00	-19.69	-17.41	-29.94	-50.96	-36.52	-35.71	-33.98	-32.86	-30.32	-29.82
332	-21.93	-19.89	-18.14	-32.49	-35.53	-47.84	-29.78	-28.29	-26.59	-25.98	-26.95
333	-21.78	-20.62	-19.44	-25.56	-29.53	-31.63	-26.81	-26.61	-24.09	-23.81	-25.00
334	-22.75	-21.82	-20.93	-22.67	-26.81	-25.99	-24.27	-25.48	-23.88	-23.24	-23.97
335	-24.84	-23.01	-21.84	-22.68	-25.86	-23.06	-22.09	-23.85	-26.14	-24.24	-24.33
336	-26.08	-22.92	-21.66	-25.20	-26.14	-21.69	-20.65	-22.58	-30.99	-27.36	-26.84
337	-23.14	-21.15	-20.82	-30.54	-27.34	-21.51	-20.11	-22.25	-30.53	-35.38	-33.80
338	-19.49	-18.97	-19.87	-35.09	-29.10	-22.32	-20.47	-22.76	-27.42	-37.20	-42.17
339	-16.87	-17.17	-18.98	-31.32	-31.01	-23.91	-21.55	-23.67	-27.47	-28.76	-30.62
340	-15.19	-15.92	-18.17	-29.22	-32.68	-25.79	-22.68	-24.61	-30.92	-26.26	-27.80
341	-14.27	-15.19	-17.45	-29.15	-33.96	-27.23	-22.88	-25.47	-40.63	-26.43	-27.51
342	-13.98	-14.94	-16.94	-30.40	-34.35	-28.28	-22.34	-25.58	-41.54	-28.59	-28.32
343	-14.23	-15.14	-16.72	-31.56	-33.13	-29.58	-22.07	-24.51	-34.95	-31.93	-29.21
344	-14.98	-15.78	-16.89	-29.67	-30.71	-30.48	-22.53	-23.38	-33.21	-33.96	-29.65
345	-16.20	-16.86	-17.50	-25.41	-28.02	-28.67	-23.56	-23.18	-32.98	-33.93	-30.01
346	-17.88	-18.47	-18.61	-21.67	-25.53	-25.68	-24.48	-24.18	-32.69	-33.52	-31.18
347	-20.07	-20.73	-20.30	-19.24	-23.53	-23.47	-24.63	-26.24	-30.24	-32.15	-33.79
348	-22.99	-24.01	-22.76	-18.18	-22.20	-22.27	-24.33	-28.67	-26.70	-29.34	-34.08
349	-27.09	-29.29	-26.60	-18.48	-21.61	-21.98	-24.24	-30.08	-23.87	-26.07	-29.33
350	-32.04	-39.93	-34.39	-20.18	-21.77	-22.47	-24.72	-29.91	-22.15	-23.39	-25.68
351	-29.72	-32.96	-39.63	-23.22	-22.76	-23.67	-25.90	-29.17	-21.46	-21.67	-23.62
352	-24.97	-26.80	-27.66	-26.58	-24.74	-25.53	-27.90	-28.75	-21.61	-20.94	-22.74
353	-21.75	-23.23	-22.74	-27.26	-28.19	-28.07	-30.98	-28.85	-22.12	-21.10	-22.64
354	-19.52	-20.61	-19.71	-25.71	-33.63	-31.06	-35.60	-29.05	-22.48	-22.07	-22.97
355	-17.84	-18.46	-17.67	-23.90	-34.38	-33.41	-42.52	-28.59	-22.92	-23.96	-23.71
356	-16.51	-16.69	-16.28	-22.65	-30.37	-33.88	-47.52	-27.52	-24.33	-27.46	-25.64
357	-15.43	-15.33	-15.40	-22.69	-28.79	-33.96	-46.37	-27.01	-27.94	-34.29	-31.18
358	-14.63	-14.41	-14.94	-24.53	-29.43	-35.23	-45.89	-28.34	-38.15	-33.98	-40.46
359	-14.13	-13.95	-14.85	-28.38	-32.14	-37.19	-39.04	-33.03	-35.55	-27.56	-26.44

Ventev  
11126 McCormick Road  
Hunt Valley, MD 21031-1494