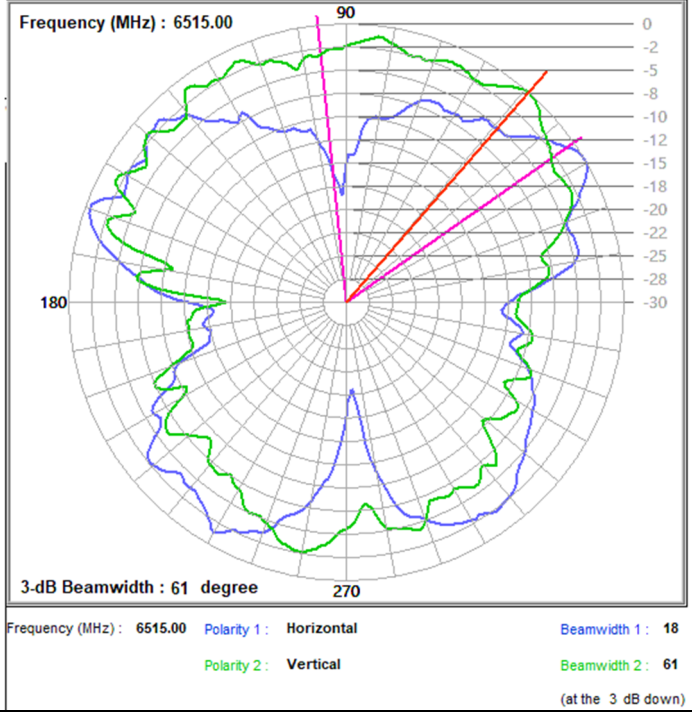
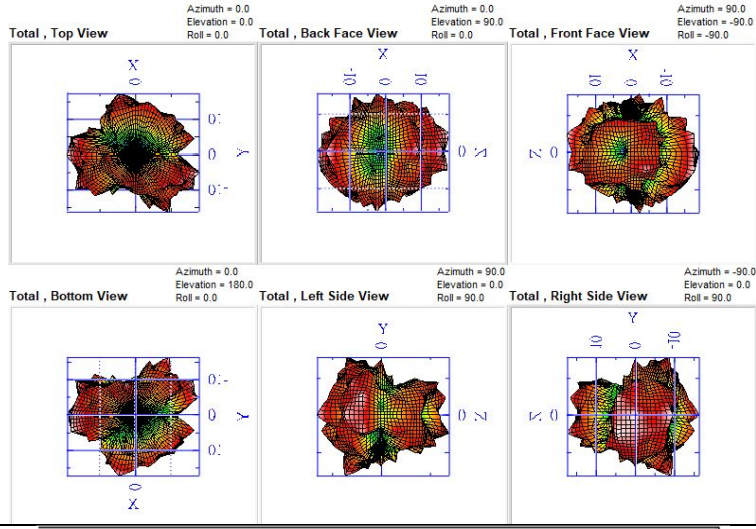
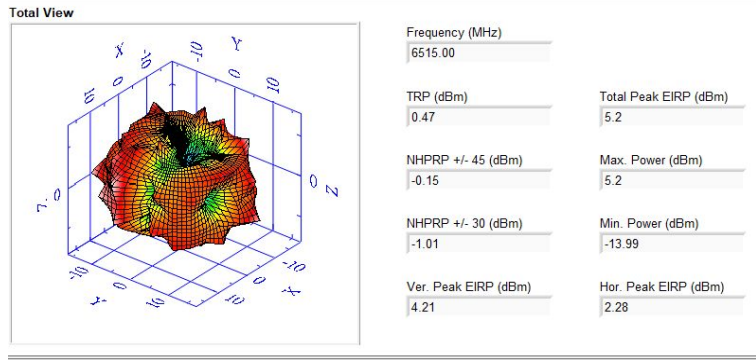
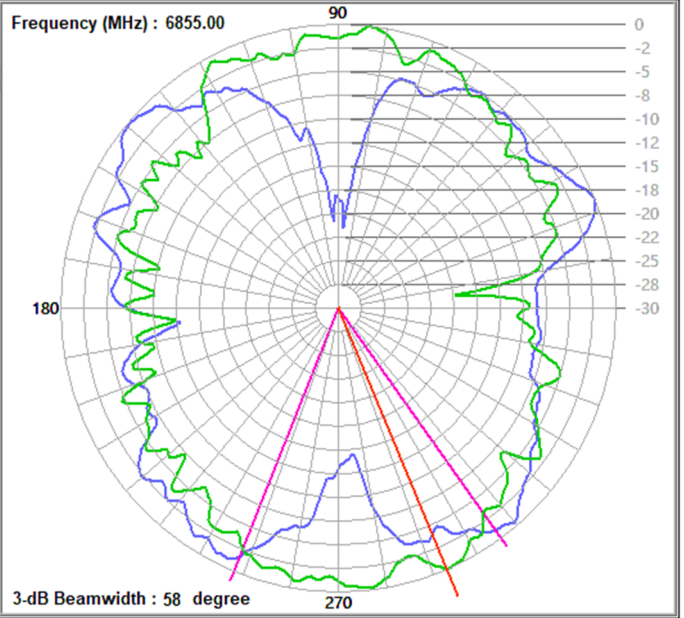
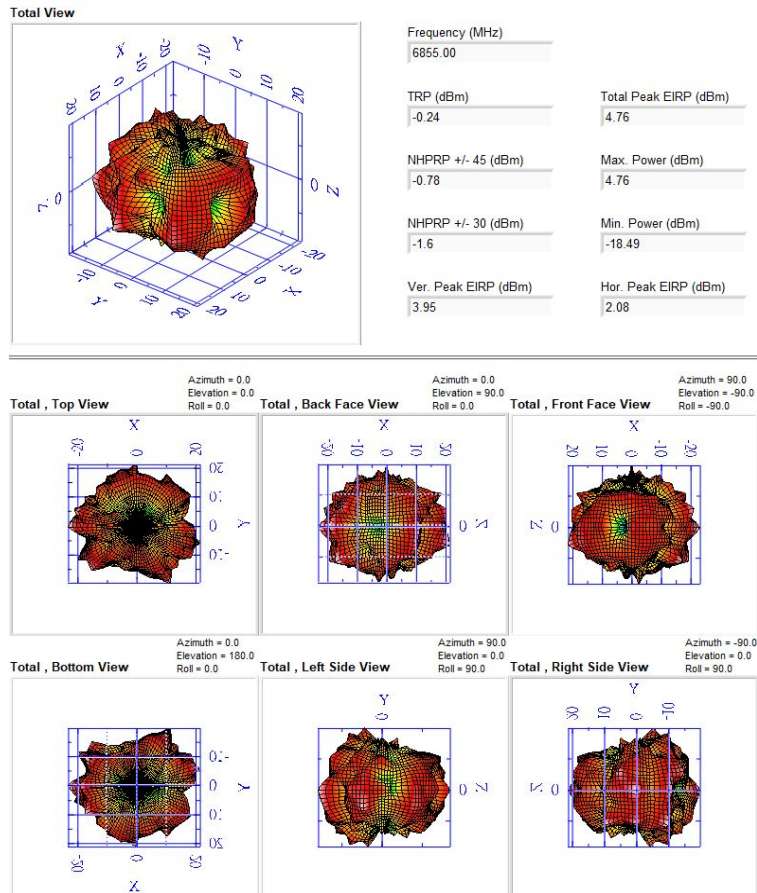


802.11ax_HE20_CH 113_CDD On_Nss1

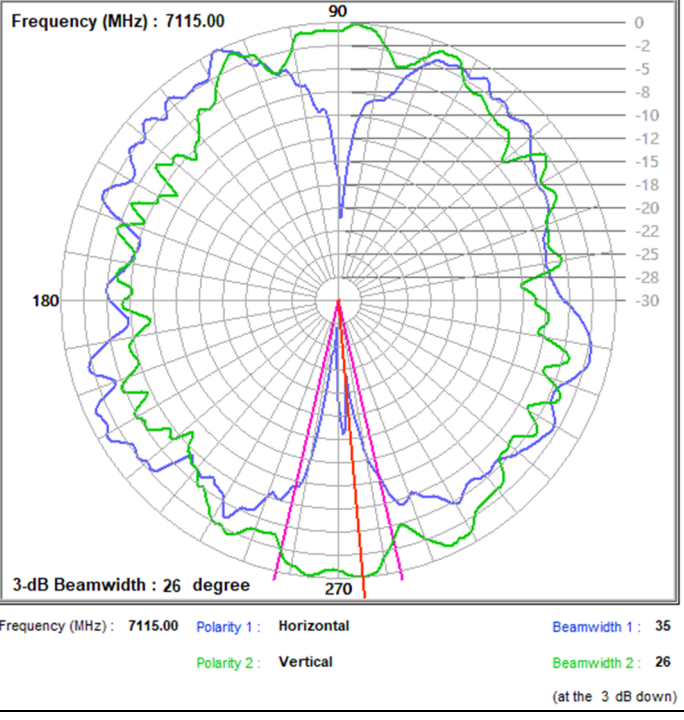
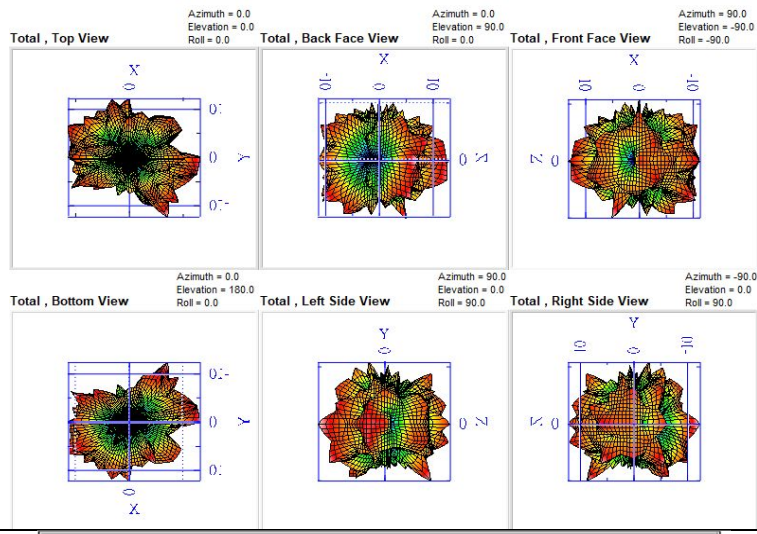
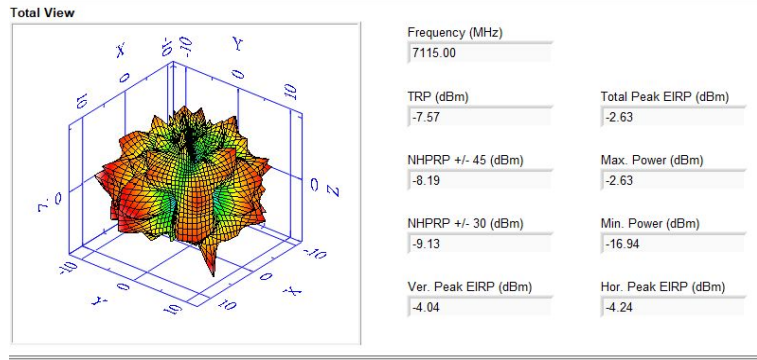


802.11ax_HE20_CH 181_CDD On_Nss1



Frequency (MHz) : 6855.00 Polarity 1 : Horizontal Beamwidth 1 : 19
 Polarity 2 : Vertical Beamwidth 2 : 58
 (at the 3 dB down)

802.11ax HE20 CH 233 CDD On Nss1



4 Appendix - Information of the Testing Laboratories

We, Bureau Veritas Consumer Products Services (H.K.) Ltd., Taoyuan Branch, were founded in 1988 to provide our best service in EMC, Radio, Telecom and Safety consultation. Our laboratories are accredited and approved according to ISO/IEC 17025.

If you have any comments, please feel free to contact us at the following:

Lin Kou EMC/RF Lab
Tel: 886-2-26052180
Fax: 886-2-26051924

Hsin Chu EMC/RF/Telecom Lab
Tel: 886-3-6668565
Fax: 886-3-6668323

Hwa Ya EMC/RF/Safety Lab
Tel: 886-3-3183232
Fax: 886-3-3270892

Email: service.adt@bureauveritas.com

Web Site: <http://ee.bureauveritas.com.tw>

The address and road map of all our labs can be found in our web site also.

--- END ---