



# FCC DFS TEST REPORT

**FCC ID** : TVE-3317E142

**Equipment** : Secured Network Extension Device

**Brand Name** : FORTINET

**Model Name** : FEV-211F, FEV-212F, FEV-211F-AM, FEV-212F-AM

**Serial Model** : FortiExtenderVehicle 211Fxxxxxxxxxx,  
 FORTIEXTENDERVEHICLE-211Fxxxxxxxxxx,  
 FEV-211Fxxxxxxxxxx,  
 FortiExtenderVehicle 212Fxxxxxxxxxx,  
 FORTIEXTENDERVEHICLE-212Fxxxxxxxxxx,  
 FEV-212Fxxxxxxxxxx,

FortiExtenderVehicle 211F-AMxxxxxxxxxx,  
 FORTIEXTENDERVEHICLE-211F-AMxxxxxxxxxx,  
 FEV-211F-AMxxxxxxxxxx,  
 FortiExtenderVehicle 212F-AMxxxxxxxxxx,  
 FORTIEXTENDERVEHICLE-212F-AMxxxxxxxxxx,  
 FEV-212F-AMxxxxxxxxxx,

(where “x” can be used “A-Z”, or “0-9”, or “-“, or blank for software purposes or marketing purposes only)

**Applicant** : Fortinet, Inc.  
 909 Kifer Road, Sunnyvale, CA 94086, USA

**Manufacturer** : Fortinet, Inc.  
 909 Kifer Road, Sunnyvale, CA 94086, USA

**Standard** : FCC Part 15 Subpart E

The product was received on Jun. 11, 2024 and testing was performed from Aug. 28, 2024 to Aug. 29, 2024. We, Sporton International (USA) Inc., would like to declare that the tested sample has been evaluated in accordance with the procedures given in FCC Part 15 Subpart E and shown compliance with the applicable technical standards.

The test results in this variant report apply exclusively to the tested model / sample. Without written approval from Sporton International (USA) Inc., the test report shall not be reproduced except in full.



*Neil Kao*

---

**Approved by: Neil Kao**

***Sporton International (USA) Inc.***  
*1175 Montague Expressway, Milpitas, CA 95035*



## Table of Contents

History of this test report.....	4
Summary of Test Result.....	5
<b>1 General Description .....</b>	<b>6</b>
1.1 Feature of Equipment Under Test .....	6
1.2 Modification of EUT .....	6
1.3 Testing Site .....	7
1.4 Applied Standards .....	7
1.5 Support Unit used in test configuration and system .....	7
<b>2 Requirements and Parameters for DFS Test.....</b>	<b>8</b>
2.1 Summary of Dynamic Frequency Selection Test .....	8
2.2 Applicability of DFS Requirements .....	9
2.3 Interference Threshold values, Master or Client incorporating In-Service Monitoring .....	10
2.4 DFS Response requirement values.....	10
2.5 Short Pulse Radar Test Waveforms .....	11
<b>3 Calibration Setup and DFS Test Results .....</b>	<b>12</b>
3.1 Calibration of Radar Waveform .....	12
3.2 In-Service Monitoring: Channel Move Time, Channel Closing Transmission Time and Non-Occupancy Period.....	14
<b>4 List of Measuring Equipment.....</b>	<b>20</b>
<b>Appendix A. Setup Photographs</b>	



### History of this test report

Report No.	Version	Description	Issue Date
FZ240522007-01	01	Initial issue of report	Sep. 09, 2024



### Summary of Test Result

Report Clause	Ref Std. Clause	Test Items	Result (PASS/FAIL)	Remark
3.2	7.8.3	Channel Move Time	Pass	3.611 sec
		Channel Closing Transmission time	Pass	<200ms + 12.0015 ms (aggregate)
		Non-Occupancy Period and Client Beacon Test	Pass	No transmission or Beacons occurred

**Note:**

1. Since the product is client without radar detection function, only Channel Move Time, Channel Closing Transmission Time and Non-Occupancy Period Test are required to be performed.
2. This is a variant report by changing device operation from master to client (without radar detection) as well as applicant & manufacturer address. All the test cases were performed under client without radar detection mode.

<b>Conformity Assessment Condition:</b>
The test results (PASS/FAIL) with all measurement uncertainty excluded are presented against the regulation limits or in accordance with the requirements stipulated by the applicant/manufacturer who shall bear all the risks of non-compliance that may potentially occur if measurement uncertainty is taken into account.
<b>Disclaimer:</b>
1. The product specifications of the EUT presented in the test report that may affect the test assessments are declared by the manufacturer who shall take full responsibility for the authenticity. 2. The purpose of different model name is for marketing segmentation.



# 1 General Description

## 1.1 Feature of Equipment Under Test

Product Feature	
<b>General Specs</b> Wi-Fi 2.4GHz 802.11b/g/n/ac and Wi-Fi 5GHz 802.11a/n/ac.	
<b>Antenna Type</b> WLAN: <Ant. 1>: Dipole Antenna <Ant. 2>: Dipole Antenna	

Antenna information		
5250 MHz ~ 5350 MHz	Peak Gain (dBi)	<Ant. 1>: 5.50 <Ant. 2>: 5.85
5470 MHz ~ 5725 MHz	Peak Gain (dBi)	<Ant. 1>: 5.50 <Ant. 2>: 5.73

**Remark:** The EUT's information above is declared by manufacturer. Please refer to Disclaimer in report summary.

## 1.2 Modification of EUT

No modifications are made to the EUT during all test items.



### 1.3 Testing Site

<b>Test Site</b>	Sporton International (USA) Inc.
<b>Test Site Location</b>	1175 Montague Expressway Milpitas, CA 95035 TEL : 408 9043300
<b>Test Site No.</b>	<b>Sporton Site No.</b>
	DFS01-CA

FCC Designation No.: US1250

### 1.4 Applied Standards

According to the specifications of the manufacturer, the EUT must comply with the requirements of the following standards:

- ♦ FCC Part 15 Subpart E
- ♦ FCC KDB 905462 D02 UNII DFS Compliance Procedures New Rules v02
- ♦ FCC KDB 905462 D03 UNII Clients Without Radar Detection New Rules v01r02

**Remark:** All test items were verified and recorded according to the standards and without any deviation during the test.

### 1.5 Support Unit used in test configuration and system

Item	Equipment	Brand Name	Model Name	FCC ID	HW / FW Version	Power Cord
1.	WLAN AP	NETGEAR	RAXE500	PY320300508	FW: V1.0.9.78_2.0.38	Unshielded, 1.8 m
2.	Notebook	HP ENVY	13-ba1063cl	PD9AX201D2	N/A	AC I/P: Unshielded, 1.2 m DC O/P: Shielded, 1.8 m
3.	Notebook	MSI	MS-16J5	PD93165NG	N/A	AC I/P: Unshielded, 1.2 m DC O/P: Shielded, 1.8 m



## 2 Requirements and Parameters for DFS Test

### 2.1 Summary of Dynamic Frequency Selection Test

Bandwidth and Channel	Test Items	Limit
<b>80MHz / 5530MHz (CH106)</b>		
<b>80MHz / 5530MHz (CH106)</b>	Channel Move Time	10 sec
	Channel Closing Transmission time	200 ms + aggregate of 60 ms over remaining 10 s period
	Non-Occupancy Period and Client Beacon Test	30 minutes



## 2.2 Applicability of DFS Requirements

EUT is client and operates as client without radar detection function.

**Table 1: Applicability of DFS Requirements Prior to Use of a Channel**

Requirement	Operational Mode		
	Master	Client Without Radar Detection	Client With Radar Detection
Non-Occupancy Period	Yes	Not required	Yes
DFS Detection Threshold	Yes	Not required	Yes
Channel Availability Check Time	Yes	Not required	Not required
U-NII Detection Bandwidth	Yes	Not required	Yes

**Table 2: Applicability of DFS requirements during normal operation**

Requirement	Operational Mode		
	Master	Client Without Radar Detection	Client With Radar Detection
DFS Detection Threshold	Yes	Not required	Yes
Channel Closing Transmission Time	Yes	Yes	Yes
Channel Move Time	Yes	Yes	Yes
U-NII Detection Bandwidth	Yes	Not required	Yes
Client Beacon Test	N/A	Yes	Yes

Additional requirements for devices with multiple bandwidth modes	Operational Mode	
	Master or Client With Radar Detection	Client Without Radar Detection
U-NII Detection Bandwidth and Statistical Performance Check	All BW modes must be tested	Not required
Channel Move Time and Channel Closing Transmission Time	Test using widest BW mode available	Test using the widest BW mode available for the link
All other tests	Any single BW mode	Not required

**Note**

Frequencies selected for statistical performance check (Section 7.8.4) should include several frequencies within the radar detection bandwidth and frequencies near the edge of the radar detection bandwidth. For 802.11 devices it is suggested to select frequencies in each of the bonded 20 MHz channels and the channel center frequency.

## 2.3 Interference Threshold values, Master or Client incorporating In-Service Monitoring

Maximum Transmit Power	Value (see notes 1 and 2)
≥ 200 milliwatt	-64 dBm
< 200 milliwatt	-62 dBm

**Note 1:** This is the level at the input of the receiver assuming a 0 dBi receive antenna.

**Note 2:** Throughout these test procedures an additional 1 dB has been added to the amplitude of the test transmission waveforms to account for variations in measurement equipment. This will ensure that the test signal is at or above the detection threshold level to trigger a DFS response.

The radar *Detection Threshold*, lowest antenna gain is the parameter of Interference *radar DFS detection threshold*, The Interference *Detection Threshold* is the  $(-64\text{dBm}) + (0) [\text{dBi}] + 1 \text{ dB} = -63 \text{ dBm}$ .

## 2.4 DFS Response requirement values

Parameter	Value
<i>Non-occupancy period</i>	Minimum 30 minutes
<i>Channel Availability Check Time</i>	60 seconds
<i>Channel Move Time</i>	10 seconds See Note 1.
<i>Channel Closing Transmission Time</i>	200 milliseconds + an aggregate of 60 milliseconds over remaining 10 second period. See Notes 1 and 2.
<i>U-NII Detection Bandwidth</i>	Minimum 100% of the 99% power bandwidth See Note 3.

**Note 1:** The instant that the *Channel Move Time* and the *Channel Closing Transmission Time* begins is as follows:

- For the Short pulse radar Test Signals this instant is the end of the *Burst*.
- For the Frequency Hopping radar Test Signal, this instant is the end of the last radar *Burst* generated.
- For the Long Pulse radar Test Signal this instant is the end of the 12 second period defining the radar transmission.

**Note 2:** The *Channel Closing Transmission Time* is comprised of 200 milliseconds starting at the beginning of the *Channel Move Time* plus any additional intermittent control signals required to facilitate *Channel* changes (an aggregate of 60 milliseconds) during the remainder of the 10 second period. The aggregate duration of control signals will not count quiet periods in between transmissions.

**Note 3:** During the *U-NII Detection Bandwidth* detection test, radar type 0 is used and for each frequency step the minimum percentage of detection is 90%. Measurements are performed with no data traffic.



## 2.5 Short Pulse Radar Test Waveforms

As the EUT is a Client Device with no Radar Detection, only one type radar pulse is required for the testing. Radar Pulse type 0 was used in the evaluation of the Client device for the purpose of measuring the Channel Move Time and the Channel Closing Transmission Time.

Radar Type	Pulse Width (μsec)	PRI (μsec)	Number of Pulses	Minimum Percentage of Successful Detection	Minimum Trials
0	1	1428	18	60%	30
1	1	Test A Test B	Roundup $\left\{ \left( \frac{1}{360} \right) \cdot \left( \frac{19 \cdot 10^6}{PRI_{\mu sec}} \right) \right\}$	60%	30
2	1-5	150-230	23-29	60%	30
3	6-10	200-500	16-18	60%	30
4	11-20	200-500	12-16	60%	30
Aggregate (Radar Types 1-4)				80%	120

Test A: 15 unique PRI values randomly selected from the list of 23 PRI values in Table 5a

Test B: 15 unique PRI values randomly selected within the range of 518-3066 μsec, with a minimum increment of 1 μsec, excluding PRI values selected in Test A

A minimum of 30 unique waveforms are required for each of the short pulse radar types 2 through 4. For short pulse radar type 1, the same waveform is used a minimum of 30 times. If more than 30 waveforms are used for short pulse radar types 2 through 4, then each additional waveform must also be unique and not repeated from the previous waveforms.

If more than 30 waveforms are used for Short Pulse Radar Type 1, then each additional waveform is generated with Test B and must also be unique and not repeated from the previous waveforms in Tests A or B.

The aggregate is the average of the percentage of successful detections of short pulse radar types 1-4.

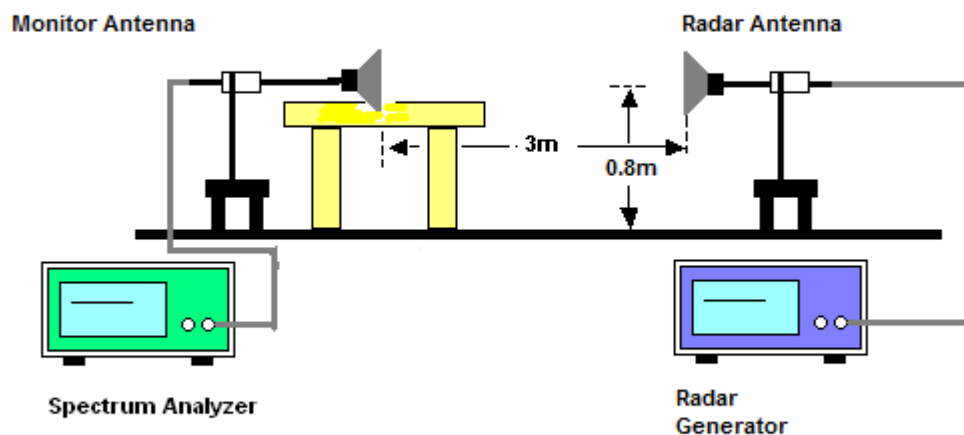
## 3 Calibration Setup and DFS Test Results

### 3.1 Calibration of Radar Waveform

#### 3.1.1 Radar Waveform Calibration Procedure

The Interference **Radar Detection Threshold Level** is  $(-64\text{dBm}) + (0) [\text{dBi}] + 1 \text{ dB} = -63\text{dBm}$  that had been taken into account the output power range and antenna gain. The following equipment setup was used to calibrate the radiated Radar Waveform. A vector signal generator was utilized to establish the test signal level for radar type 0. During this process there were no transmissions by either the Master or Client Device. The spectrum analyzer was switched to the zero span (Time Domain) at the frequency of the Radar Waveform generator. Peak detection was used. The spectrum analyzer resolution bandwidth (RBW) and video bandwidth (VBW) were set to 3 MHz to measure the type 0 radar waveform. The spectrum analyzer had offset to compensate and RF cable loss. The vector signal generator amplitude was set so that the power level measured at the spectrum analyzer was  $(-64\text{dBm}) + 1 \text{ dB} = -63 \text{ dBm}$ . Capture the spectrum analyzer plots on short pulse radar waveform.

#### 3.1.2 Radiated Setup

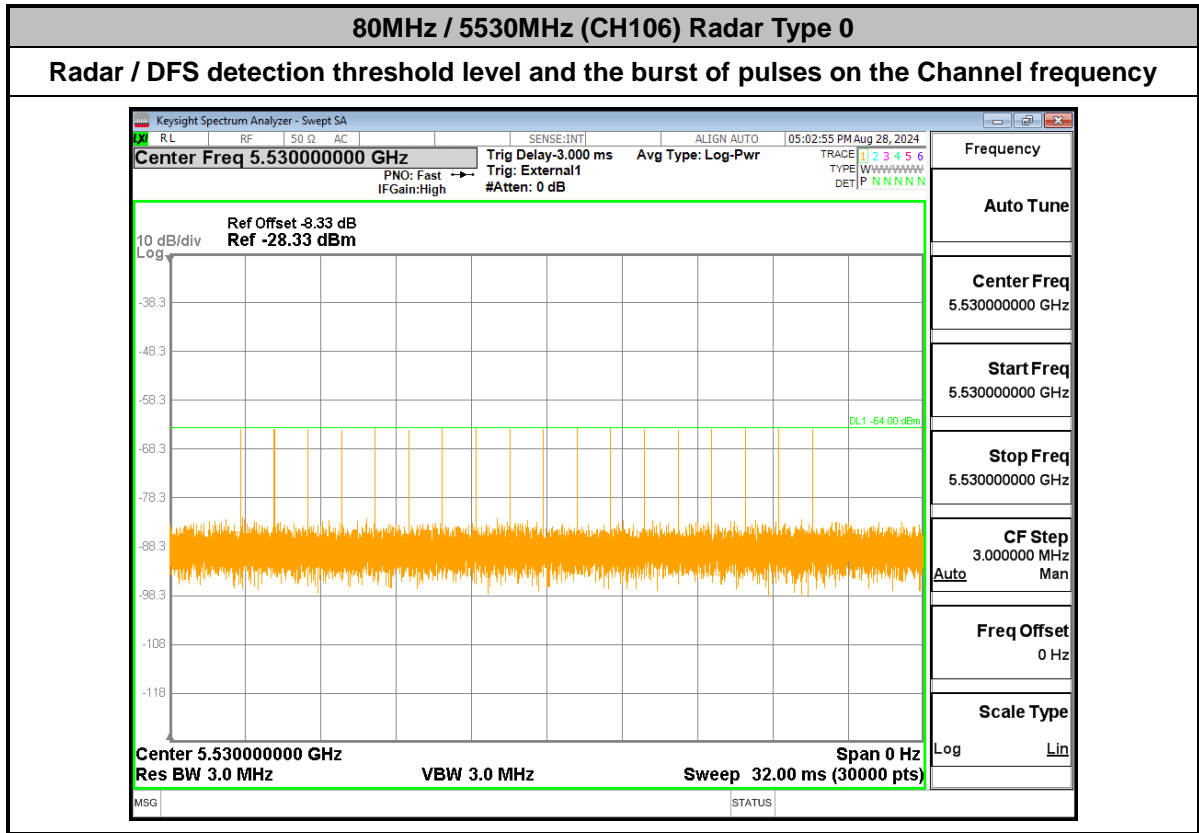


#### 3.1.3 Calibration Deviation

There is no deviation with the original standard.



### 3.1.4 Radar Waveform Calibration Result





## 3.2 In-Service Monitoring: Channel Move Time, Channel Closing Transmission Time and Non-Occupancy Period

### 3.2.1 Limit of In-Service Monitoring

The EUT has In-Service Monitoring function to continuously monitor the radar signals, If radar is detected, it must leave the channel (Shutdown). The Channel Move Time to cease all transmissions on the current Channel upon detection of a Radar Waveform above the DFS Detection Threshold within 10 sec. The total duration of *Channel Closing Transmission Time* is comprised of 200 milliseconds starting at the beginning of the *Channel Move Time* plus any additional intermittent control signals required to facilitate *Channel* changes (an aggregate of 60 milliseconds) during the remainder of the 10 second period. The aggregate duration of control signals will not count quiet periods in between transmissions.

Non-Occupancy Period time is 30 minute during which a Channel will not be utilized after a Radar Waveform is detected on that Channel. The non-associated Client Beacon Test is during the 30 minutes observation time. The EUT should not make any transmissions in the DFS band after EUT power up.



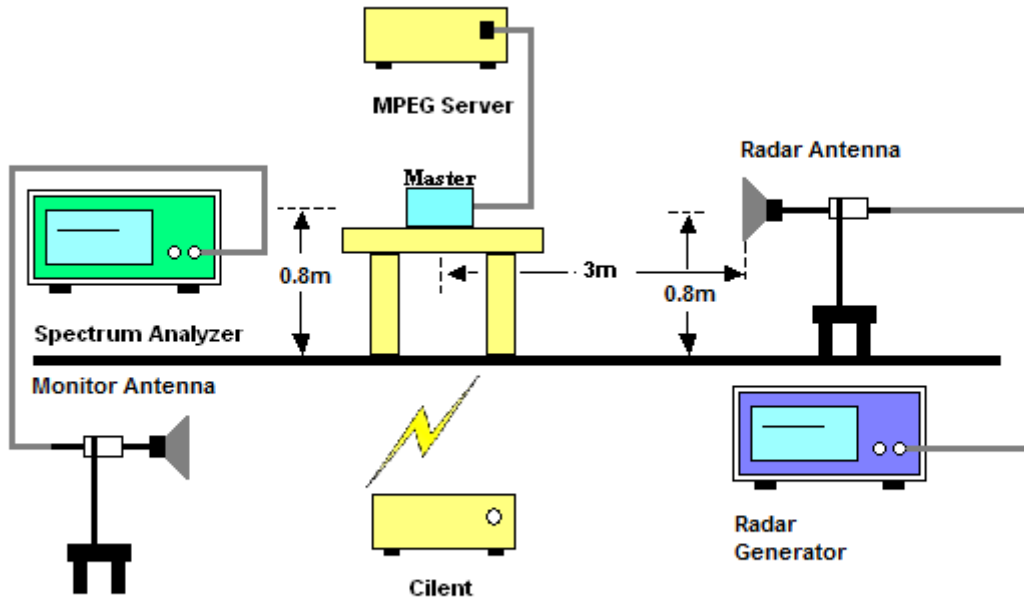
3.2.2 Test Procedures

1. The radar pulse generator is setup to provide a pulse at frequency that the Master and Client are operating. A type 0 radar pulse with a 1us pulse width and a 1428 us PRI is used for the testing.
2. The vector signal generator is adjusted to provide the radar burst (18 pulses) at a level of approximately -64dBm at the antenna of the Master device.
3. A trigger is provided from the pulse generator to the DFS monitoring system in order to capture the traffic and the occurrence of the radar pulse.
4. A U-NII device operating as a Client Device will associate with the Master at Channel. The MPEG file "TestFile.mpg" specified by the FCC is streamed from the "file computer" through the Master to the Client Device and played in full motion video using Media Player Classic Ver. 6.4.8.6 in order to properly load the network for the entire period of the test.
5. When a radar Burst with a level equal to the DFS Detection Threshold + 1dB is generated on the Operating Channel of the U-NII device. At time T0 the Radar Waveform generator sends a Burst of pulse of the radar waveform at Detection Threshold + 1dB.
6. Observe the transmissions of the EUT at the end of the radar Burst on the Operating Channel. Measure and record the transmissions from the EUT during the observation time (Channel Move Time). One 12 seconds plot is reported for the Short Pulse Radar Types 0. The plot for the Short Pulse Radar Types start at the end of the radar burst. The Channel Move Time will be calculated based on the zoom in 600ms plot of the Short Pulse Radar Type.
7. Measurement of the aggregate duration of the Channel Closing Transmission Time method. With the spectrum analyzer set to zero span tuned to the center frequency of the EUT operating channel at the radar simulated frequency, peak detection, and max hold, the dwell time per bin is given by: **Dwell (0.4ms) = S (12000ms) / B (30000)**; where Dwell is the dwell time per spectrum analyzer sampling bin, S is the sweep time and B is the number of spectrum analyzer sampling bins. An upper bound of the aggregate duration of the intermittent control signals of Channel Closing Transmission Time is calculated by: **C (ms) = N X Dwell (0.4 ms)**; where C is the Closing Time, N is the number of spectrum analyzer sampling bins (intermittent control signals) showing a U-NII transmission and Dwell is the dwell time per bin.
8. Measure the EUT for more than 30 minutes following the channel move time to verify that no transmissions or beacons occur on this Channel.
9. The test frequency , bandwidth and data rate as following table:

BW / Channel	Test Data Rate
80MHz / 5530MHz (CH106)	MCS0

### 3.2.3 Test Setup

Radiated Setup Photo



### 3.2.4 Test Deviation

There is no deviation with the original standard.





3.2.5 Result of Channel Move Time, Channel Closing Transmission Time and Non-Occupancy Period for Client Beacon Test

<b>Test Mode :</b>	Client without radar detection	<b>Temperature :</b>	19.4~20.5°C
<b>Test Engineer :</b>	Liliana Gonzalez	<b>Relative Humidity :</b>	55.4~63.3%

BW / Channel	Test Item	Test Result	Limit	Pass/Fail
80MHz / 5530MHz (CH106)	Channel Move Time	3.611 s	< 10s	Pass
	Channel Closing Transmission Time	200ms + 12.0015 ms	< 260ms	Pass
	Non-Occupancy Period	≥ 30	≥ 30 min	Pass

**Note:** The Channel Closing Transmission Time is comprised of 200 milliseconds starting at the beginning of the Channel Move Time plus any additional intermittent control signals required to facilitate a Channel move (an aggregate of 60 milliseconds) during the remainder of the 10 seconds period. The aggregate duration of control signals will not count quiet periods in between transmissions.



### 3.2.6 Channel Move Time, Channel Closing Transmission Time and Non-Occupancy Period for Client Beacon Test Plots

<80MHz / 5530MHz (CH106)> In-Service Monitoring

**Channel Move Time & Channel Closing Transmission Time**

Mkr	MODE	TRIG	SEL	X	Y	FUNCTION	FUNCTION WIDTH	FUNCTION VALUE
1	N	1	t	3.611 s	-17.91 dBm			
2	N	1	t	200.0 ms	-48.95 dBm			
3	N	1	t	10.00 s	-47.68 dBm			

Option

Trigger Level(dBm): -40

MK1 Time(s): 200.0000ms

MK2 Time(s): 10000.0000

Delta2 Time(s): 9800.0000m

On Time Point: 30

Total Point: 24497

Sum of On Time(s): 12.0015ms

Sweep Time(s): 12001.60ms

Sweep Point: 30000

Duty Cycle(%): 0.1225%

**Run**

耕興股份有限公司  
SPORTON INTERNATIONAL INC.  
Copyright (c) 2013 by Sporton Lab.

**Non-Occupancy Period**

Mkr	MODE	TRIG	SEL	X	Y	FUNCTION	FUNCTION WIDTH	FUNCTION VALUE
1	Δ2	t	(Δ)	1.800 ks (Δ)	-25.96 dB			
2	F	1	t	32.27 s	-20.71 dBm			

**Non-associated test**

**Master was off. (beacon test)**

Mkr	MODE	TRIG	SEL	X	Y	FUNCTION	FUNCTION WIDTH	FUNCTION VALUE
1	Δ2	t	(Δ)	1.800 ks (Δ)	-25.96 dB			
2	F	1	t	32.27 s	-20.71 dBm			

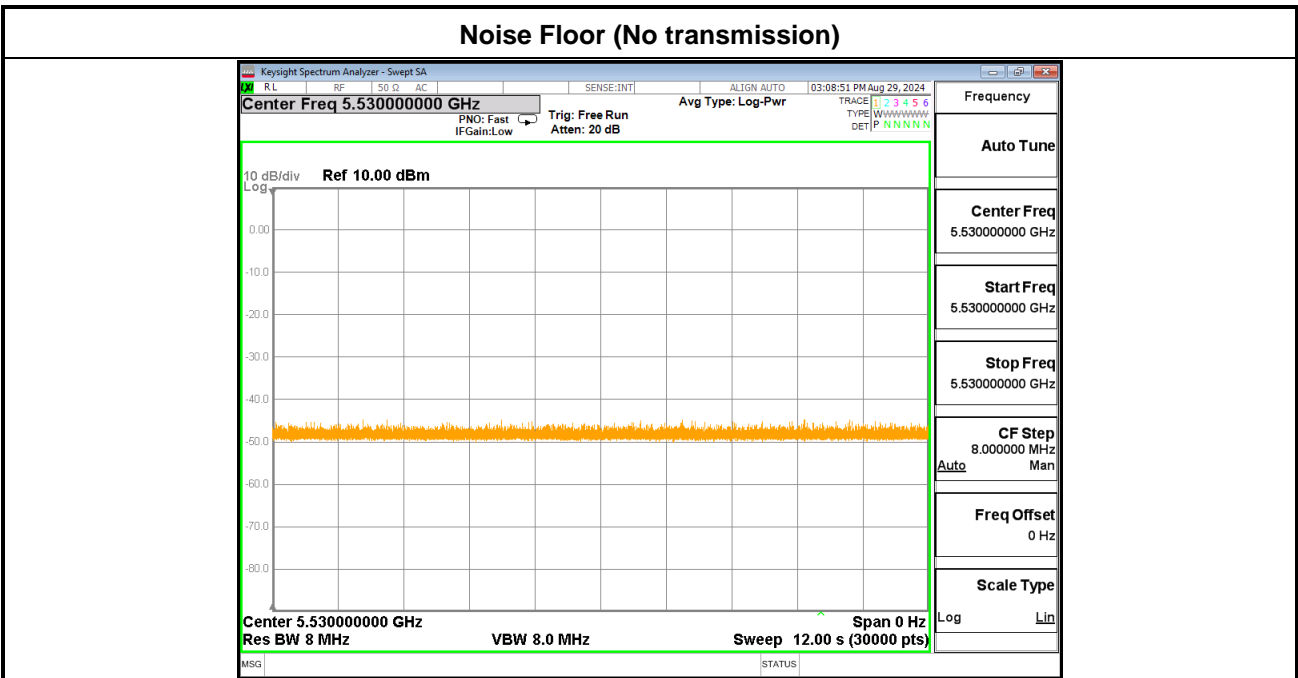
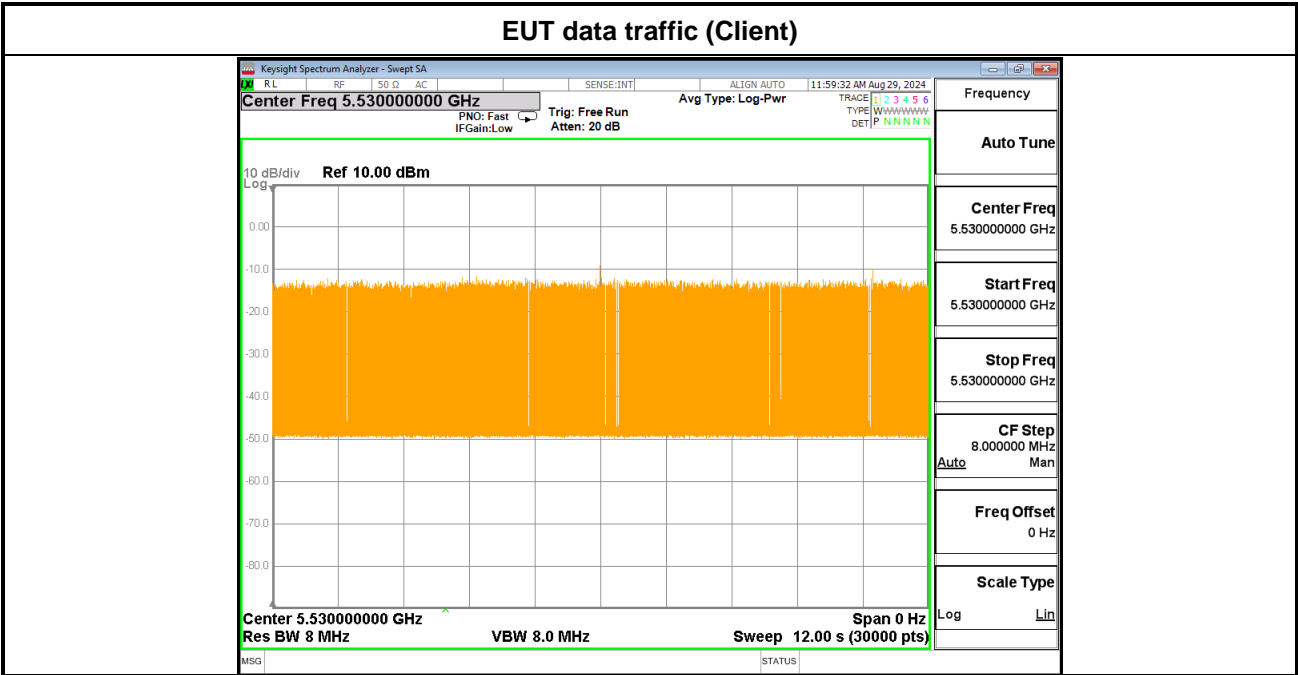
**Note:**

Dwell (0.4 ms)= Sweep Time (12000 ms) / Sweep Point Bins (30000)

Channel Closing Transmission Time (200 + 12.0015 ms) = 200 + Number (30) X Dwell (0.4 ms) < 260ms



### 3.2.7 Data Traffic and Noise Floor Plots





## 4 List of Measuring Equipment

Instrument	Brand Name	Model No.	Serial No.	Characteristics	Calibration Date	Test Date	Due Date	Remark
RF Vector Signal Generator	Keysight	N5182B	MY57300963	9kHz~6GHz	Mar. 26, 2024	Aug. 28, 2024~ Aug. 29, 2024	Mar. 25, 2025	DFS (DFS01-CA)
Frequency Extender	Keysight	N5182BX07	MY59360230	9kHz~7.2GHz	Mar. 26, 2024	Aug. 28, 2024~ Aug. 29, 2024	Mar. 25, 2025	DFS (DFS01-CA)
EXA Spectrum Analyzer	Keysight	N9010A	MY56070412	10Hz~7GHz	Nov. 30, 2023	Aug. 28, 2024~ Aug. 29, 2024	Nov. 29, 2024	DFS (DFS01-CA)
Horn Antenna	SCHWARZBECK	BBHA 9120D	01894	1GHz~18GHz	Aug. 07, 2024	Aug. 28, 2024~ Aug. 29, 2024	Aug. 06, 2025	DFS (DFS01-CA)
Horn Antenna	SCHWARZBECK	BBHA 9120D	01895	1GHz~18GHz	Aug. 15, 2024	Aug. 28, 2024~ Aug. 29, 2024	Aug. 14, 2025	DFS (DFS01-CA)
Hygrometer	Testo	608-H1	45142588	Temperature & Humidity	Aug. 14, 2024	Aug. 28, 2024~ Aug. 29, 2024	Aug. 13, 2025	DFS (DFS01-CA)

## Appendix A. Setup Photographs

Front View



EUT



————THE END————