

承認書

APPROVAL SHEET

天線廠牌：JOYMAX

CUSTOMER MODEL NO.: 025.902CR.0001

JOYMAX MODEL NO.: IHF-2120MPX9-W013

DESCRIPTION: #2120 Antenna

REV.: B

DATE: 2024/1/18

Customer Approval

Joymax Approval



 士誼科技事業股份有限公司
JOYMAX ELECTRONICS CO., LTD.

Tel:+886-3-4335698 Fax:+886-3-4336340

E-mail: info@joymax.com.tw

桃園市中壢區中壢工業區東園二路5號

No.5 Dong Yuan Rd.2,Jhongli industrial Park,

Jhongli Dist,Tao Yuan,Taiwan,R.O.C.

<http://www.joymax.com.tw>

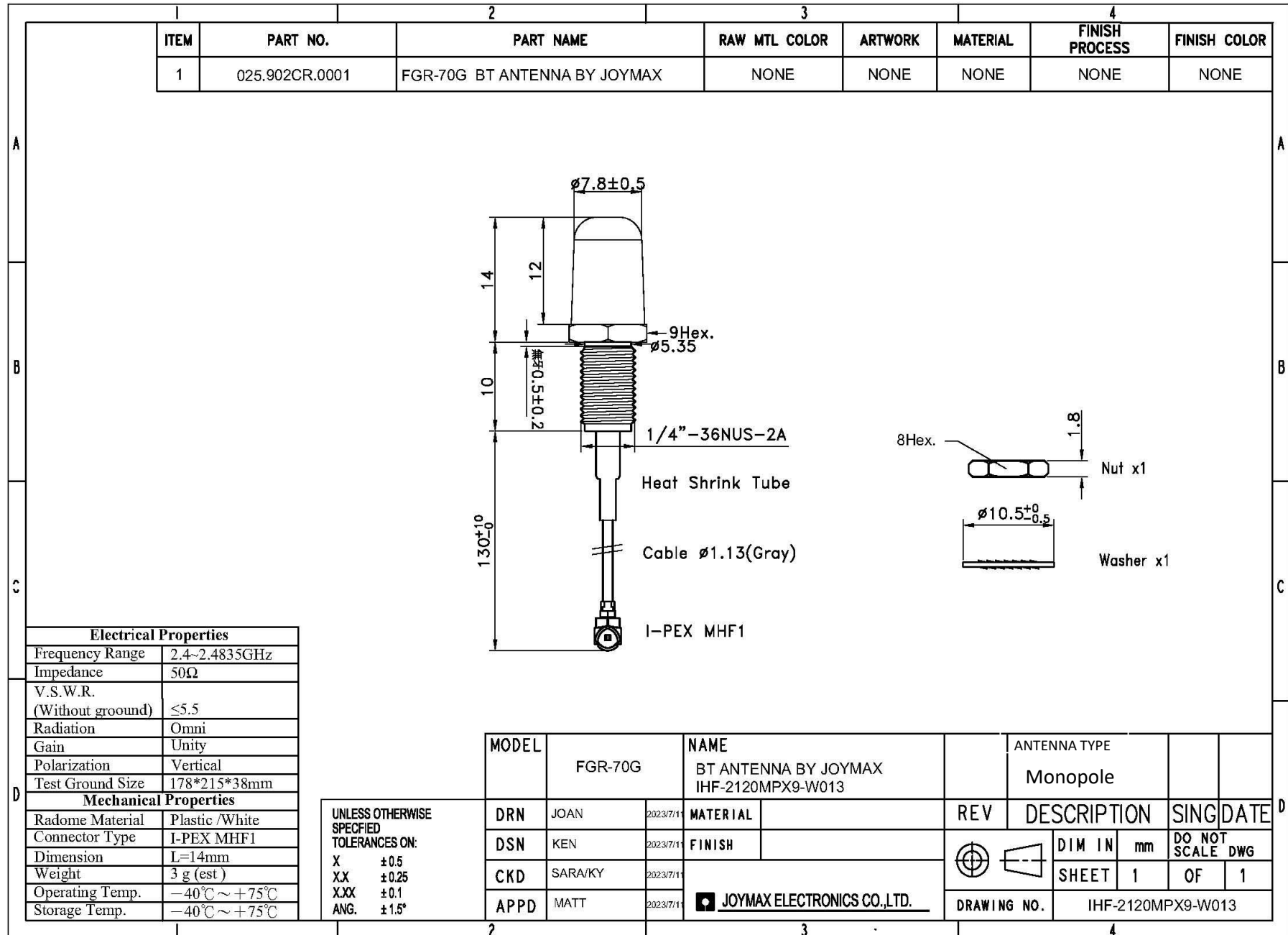
Index

1. Specification & Dimension	-----	3
2. Test Condition & Report		
2.1 V.S.W.R	-----	4
2.2 Pattern	-----	5
2.3 Gain and Efficiency	-----	6
3. Package	-----	8

Modification History:

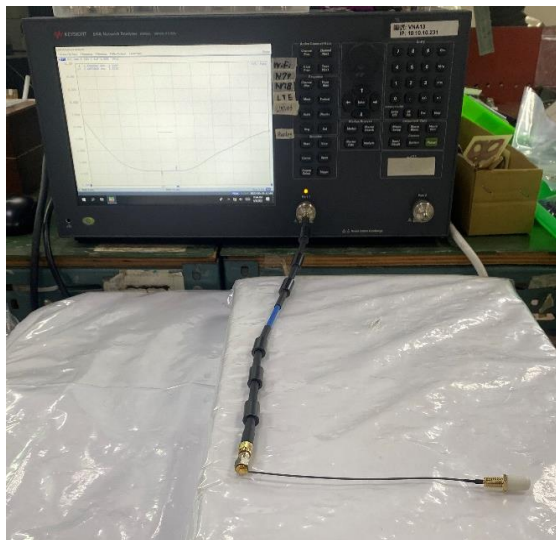
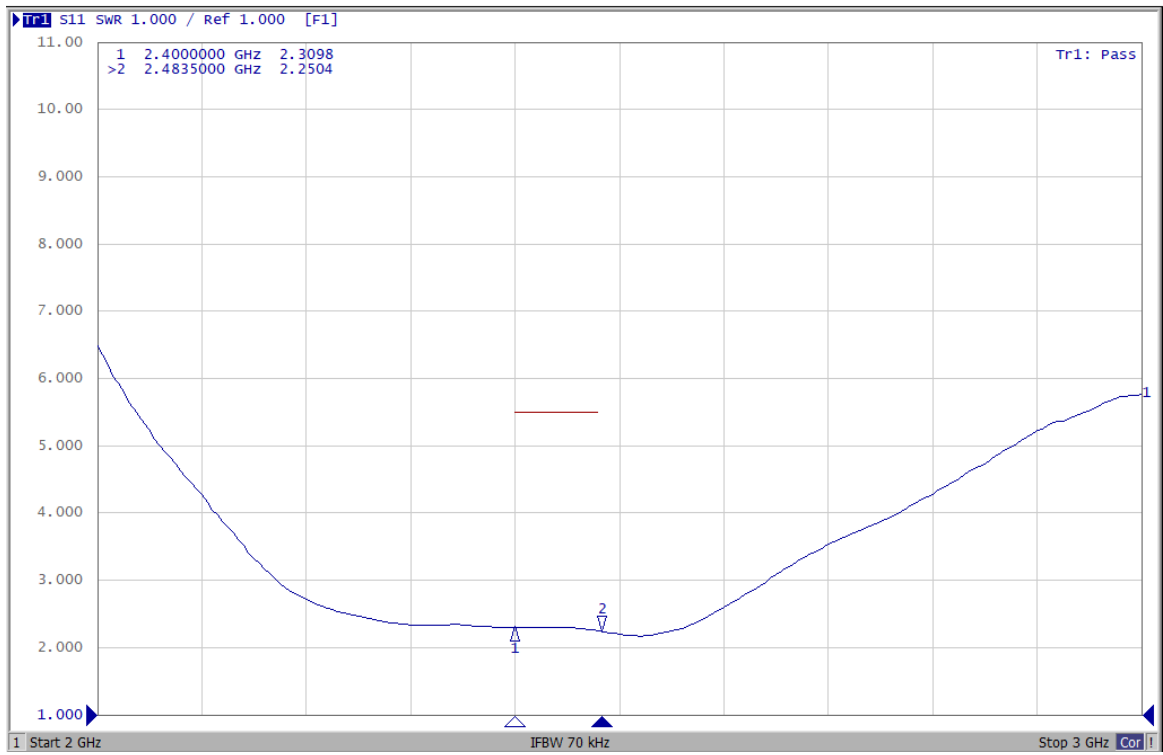
Rev.	Date	Content
A	2023/7/18	
B	2024/1/18	變更Gain and Efficiency測報

1. Specification & Dimension

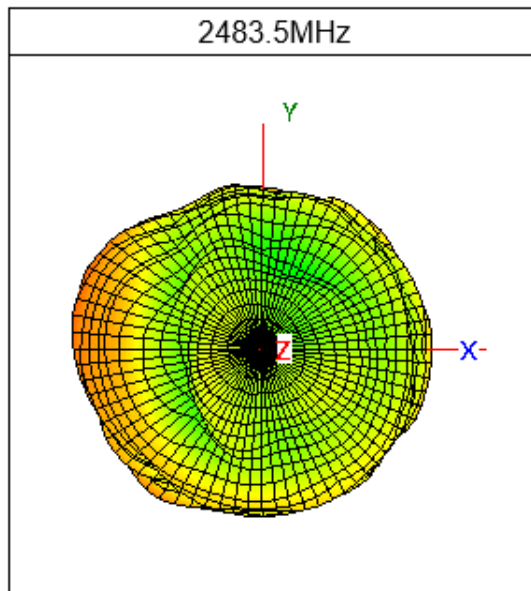
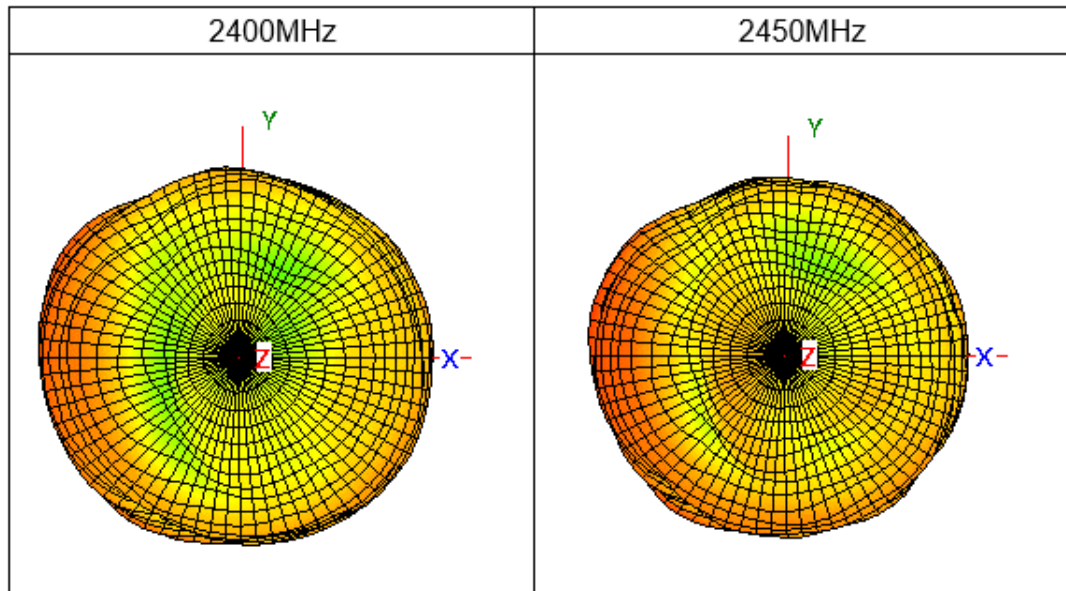


2. Test Condition & Report

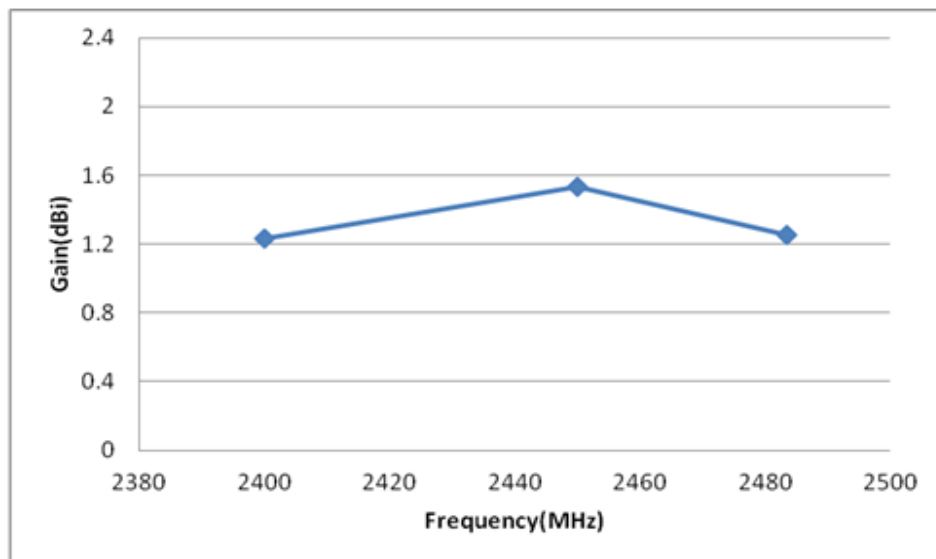
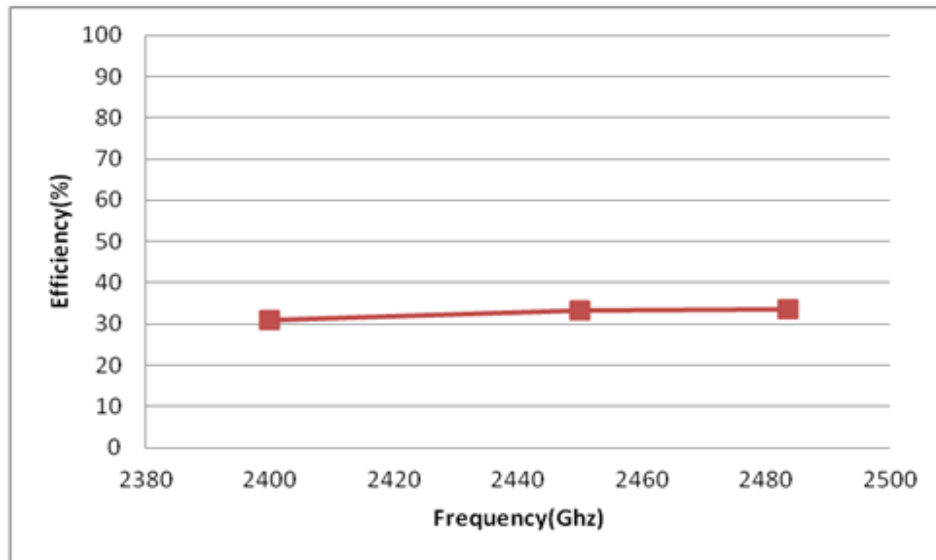
2.1 V.S.W.R



2.2 Pattern



2.3 Gain and Efficiency



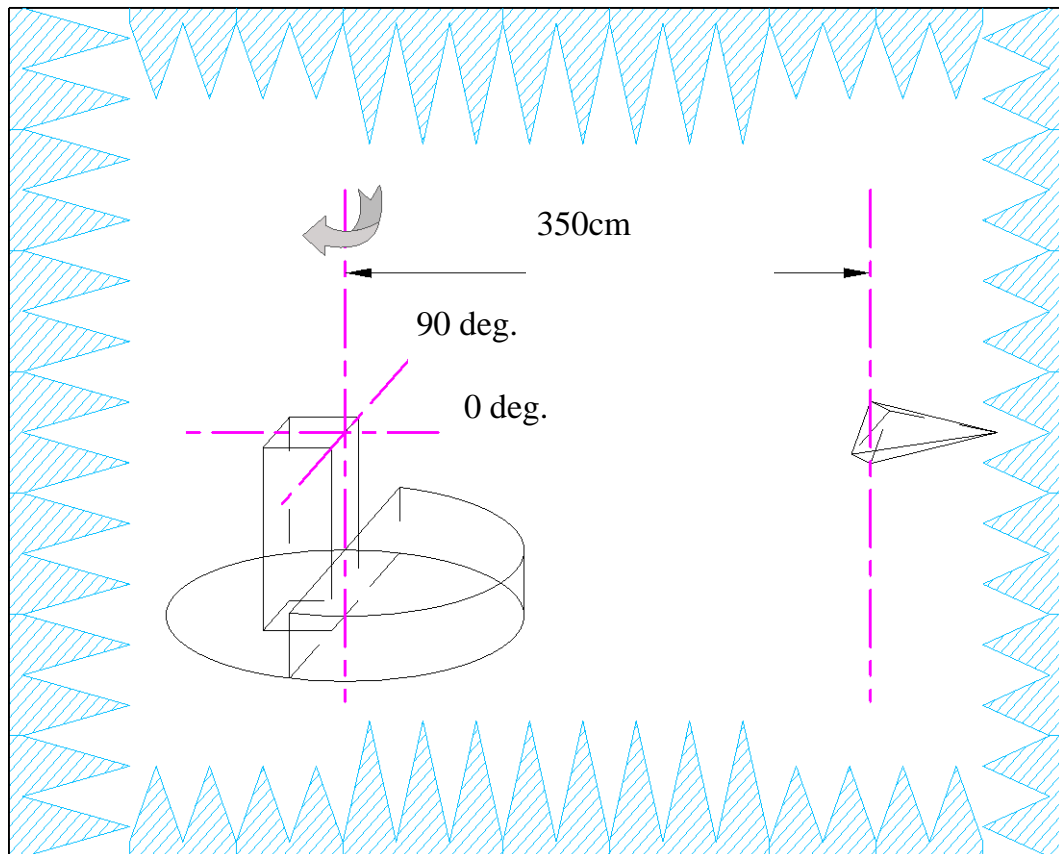
Frequency (MHz)	2400	2450	2483.5
Gain (dBi)	1.23	1.53	1.25
Efficiency (%)	31.06	33.21	33.52

Pattern Test Equipment

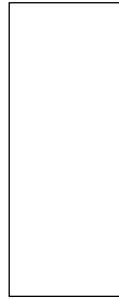
Anechoic chamber: 100MHz~6GHz 8*6*6m (※ 1m Quiet zone at 800MHz)

Source Antenna: ETS-3164 Dual Polarized Horn

Network Analyzer: Agilent E5071B 100kHz~8.5GHz



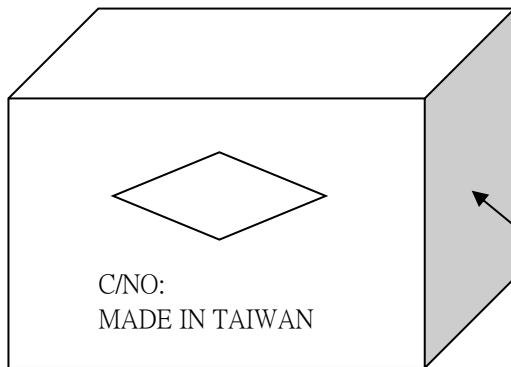
3. Package



① 10pcs antenna / 1 Bubble bag



② 50pcs antenna / 1 PE bag



③ 1000pcs antenna / 1 Carton

MODEL No.:	
Q'ty:	PCS
N.W:	PCS
G.W:	PCS

Packing q'ty is for reference only, adjust it based on production packing.