

RF Test Report

Applicant : Fortinet, Inc.
 Product Name : Network Security Gateway
 Trade Name : FORTINET
 Model Number : FG-601F, FG-600F, FG-600F-DC, FG-601F-DC,
 FortiGate 600Fxxxxxxxxxx, FORTIGATE-600Fxxxxxxxxxx,
 FG-600Fxxxxxxxxxx, FortiGate 601Fxxxxxxxxxx,
 FORTIGATE-601Fxxxxxxxxxx, FG-601Fxxxxxxxxxx,
 FortiGate 600F-DCxxxxxxxxxx, FORTIGATE-600F-DCxxxxxxxxxx,
 FG-600F-DCxxxxxxxxxx, FortiGate 601F-DCxxxxxxxxxx,
 FORTIGATE-601F-DCxxxxxxxxxx, FG-601F-DCxxxxxxxxxx
 (where “x” can be used as “A-Z” , or “0-9” , or “- “, or
 blank for software changes or marketing purposes only)
 Applicable Standard : FCC 47 CFR PART 15 SUBPART C
 ANSI C63.10:2013
 Received Date : Nov. 23, 2022
 Test Period : Dec. 02 ~ Dec. 12, 2022
 Issued Date : Jan. 30, 2023

Issued by

Eurofins E&E Wireless Taiwan Co., Ltd.
 No. 140-1, Changan Street, Bade District,
 Taoyuan City 334025, Taiwan (R.O.C.)
 Tel : +886-3-2710188 / Fax : +886-3-2710190



Taiwan Accreditation Foundation accreditation number: 1330
 Frequency Range: 9 kHz to 325 GHz (Bade test site)
 Frequency Range: 9 kHz to 40 GHz (Wugu test site)
 Test Firm MRA designation number: TW0010

Note:

- 1.The test results are valid only for samples provided by customers and under the test conditions described in this report.
- 2.This report shall not be reproduced except in full, without the written approval of Eurofins E&E Wireless Taiwan Co., Ltd.
- 3.The relevant information is provided by customers in this test report. According to the correctness, appropriateness or completeness of the information provided by the customer, if there is any doubt or error in the information which affects the validity of the test results, the laboratory does not take the responsibility.

Revision History

Version	Issued Date	Revisions	Revised By
00	Jan. 30, 2023	Initial Issue	Rowan Hsieh

Verification of Compliance

Applicant : Fortinet, Inc.

Product Name : Network Security Gateway

Trade Name : FORTINET

Model Number : FG-601F, FG-600F, FG-600F-DC, FG-601F-DC, FortiGate 600Fxxxxxxxx, FORTIGATE-600Fxxxxxxxx, FG-600Fxxxxxxxx, FortiGate 601Fxxxxxxxx, FORTIGATE-601Fxxxxxxxx, FG-601Fxxxxxxxx, FortiGate 600F-DCxxxxxxxx, FORTIGATE-600F-DCxxxxxxxx, FG-600F-DCxxxxxxxx, FortiGate 601F-DCxxxxxxxx, FORTIGATE-601F-DCxxxxxxxx, FG-601F-DCxxxxxxxx (where “x” can be used as “A-Z” , or “0-9” , or “- “ , or blank for software changes or marketing purposes only)

FCC ID : TVE-111T15F

Applicable Standard : FCC 47 CFR PART 15 SUBPART C
ANSI C63.10:2013

Test Result : Complied

Performing Lab. : Eurofins E&E Wireless Taiwan Co., Ltd.
No. 140-1, Changan Street, Bade District,
Taoyuan City 334025, Taiwan (R.O.C.)
Tel : +886-3-2710188 / Fax : +886-3-2710190
Taiwan Accreditation Foundation accreditation number: 1330



Eurofins E&E Wireless Taiwan Co., Ltd. tested the above equipment in accordance with the requirements set forth in the above standards. All indications of Pass/Fail in this report are opinions expressed by Eurofins E&E Wireless Taiwan Co., Ltd. based on interpretations and/or observations of test results. The test results show that the equipment tested is capable of demonstrating compliance with the requirements as documented in this report.

Approved By : _____

TABLE OF CONTENTS

1	General Information	5
1.1.	Summary of Test Result	5
1.2.	Testing Location	6
1.3.	Measurement Uncertainty	6
2	EUT Description.....	7
3	Test Methodology.....	8
3.1.	Mode of Operation.....	8
3.2.	EUT Test Step.....	8
3.3.	Configuration of Test System Details.....	9
3.4.	Test Instruments	12
3.5.	Test Site Environment.....	14
4	Measurement Procedure.....	15
4.1.	AC Power Line Conducted Emission Measurement.....	15
4.2.	Radiated Emission Measurement.....	17
4.3.	Maximum Conducted Output Power Measurement.....	21
4.4.	6 dB RF Bandwidth Measurement.....	22
4.5.	Maximum Power Density Measurement	23
4.6.	Out of Band Conducted Emissions Measurement.....	24
4.7.	Antenna Measurement	24
5	Test Results	25
5.1.	Conducted Emission	25
5.2.	Conducted Test Results.....	62
5.3.	Radiated Emission Measurement.....	63
Appendix A. Test Data		
Appendix B. Test Plots		
Appendix C. Test Setup Photographs		

1 General Information

1.1. Summary of Test Result

Standard	Item	Result	Remark
15.207	AC Power Conducted Emission	PASS	-----
15.247(d)	Transmitter Radiated Emissions	PASS	-----
15.247(b)(3)	Max. Output Power	PASS	-----
15.247(a)(2)	6 dB RF Bandwidth	PASS	-----
15.247(e)	Maximum Power Spectral Density	PASS	-----
15.247(d)	Out of Band Conducted Spurious Emission	PASS	-----
15.203	Antenna Requirement	PASS	-----

Decision Rule

- Uncertainty is not included.
- Uncertainty is included.

Standard	Description
CFR47, Part 15, Subpart C	Intentional Radiators
ANSI C63. 10: 2013	American National Standard of Procedures for Compliance Testing of Unlicensed Wireless Devices
KDB 558074 D01 15.247 Meas Guidance v05r02	GUIDANCE FOR COMPLIANCE MEASUREMENTS ON DIGITAL TRANSMISSION SYSTEM, FREQUENCY HOPPING SPREAD SPECTRUM SYSTEM, AND HYBRID SYSTEM DEVICES OPERATING UNDER SECTION 15.247 OF THE FCC RULES

1.2. Testing Location

Lab Name: Eurofins E&E Wireless Taiwan Co., Ltd.
 Site Address: No. 140-1, Changan Street, Bade District, Taoyuan City 334025, Taiwan (R.O.C.)
 Site Address: No. 2, Wuquan 5th Rd. Wugu Dist., New Taipei City, Taiwan (R.O.C.)

1.3. Measurement Uncertainty

Test Item	Frequency Range	Uncertainty
Conducted Emission	150 kHz ~ 30 MHz	2.7 dB
Radiated Emission	9 kHz ~ 30 MHz	2.2 dB
	30 MHz ~ 1000 MHz	5.1 dB
	1000 MHz ~ 18000 MHz	5.2 dB
	18000 MHz ~ 26500 MHz	4.6 dB
	26500 MHz ~ 40000 MHz	4.6 dB
Conducted Output Power	1.1 dB	
RF Bandwidth	4.7 %	
Power Spectral Density	1.1 dB	

2 EUT Description

Applicant	Fortinet, Inc. 899 Kifer Road, Sunnyvale, CA 94086, USA			
Product Name	Network Security Gateway			
Trade Name	FORTINET			
Model No.	FG-601F, FG-600F, FG-600F-DC, FG-601F-DC, FortiGate 600Fxxxxxxxxx, FORTIGATE-600Fxxxxxxxxx, FG-600Fxxxxxxxxx, FortiGate 601Fxxxxxxxxx, FORTIGATE-601Fxxxxxxxxx, FG-601Fxxxxxxxxx, FortiGate 600F-DCxxxxxxxxx, FORTIGATE-600F-DCxxxxxxxxx, FG-600F-DCxxxxxxxxx, FortiGate 601F-DCxxxxxxxxx, FORTIGATE-601F-DCxxxxxxxxx, FG-601F-DCxxxxxxxxx (where “x” can be used as “A-Z” , or “0-9” , or “- “, or blank for software changes or marketing purposes only)			
Difference description of model number	FG-601F / SSD:YES / PSU:AC FG-600F / SSD:No / PSU:AC FG-601F-DC / SSD:YES / PSU:DC FG-600F-DC / SSD:No / PSU:DC			
FCC ID	TVE-111T15F			
Frequency Range	2402 ~ 2480 MHz			
Modulation Type	GFSK			
Operate Temp. Range	0 ~ +40 °C			
EUT Power Rating	DC EUT Rating: -48 VDC to -60 VDC, 6 A AC EUT Rating: 100-240 VAC, 50/60 Hz, 6 A Max			
Antenna information	ANT.	Model	Type	Max. Gain (dBi)
	ANT-0	ARY196-0346-005-00	PIFA Antenna	1.82
	ANT-0	WA-F-LA-02-114	PIFA Antenna	0.73
RF Output Power	LE, GFSK:		0.00197W	
	2LE, GFSK:		0.00199W	
	BLR C2, GFSK:		0.00198W	
	BLR C8, GFSK:		0.00199W	

3 Test Methodology

3.1. Mode of Operation

In the test report use EUT model: FG-601F to operate testing.

Decision of Test Eurofins has verified the construction and function in typical operation. All the test modes were carried out with the EUT in normal operation, which was shown in this test report and defined as:

Pre-Test Mode
Transmit Mode
BLE 1M
BLE 2M
BLR C2
BLR C8

Final-Test Mode
Transmit Mode
BLE 2M
BLR C8

Software used to control the EUT for staying in continuous transmitting mode was programmed.

After verification, all tests were carried out with the worst case test modes.

The final test mode was under X axis position of EUT transmitted status, test data were recorded in this report.

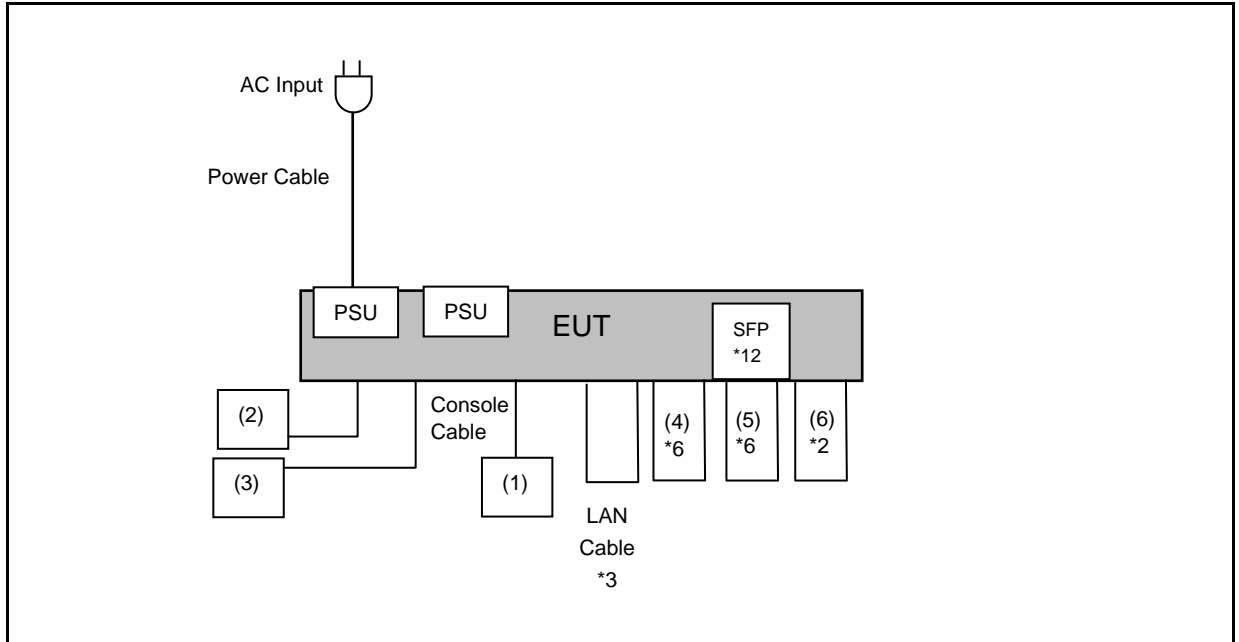
3.2. EUT Test Step

1	Setup the EUT shown on “Configuration of Test System Details”.
2	Turn on the power of all equipment.
3	Turn on TX function.
4	EUT run test program.

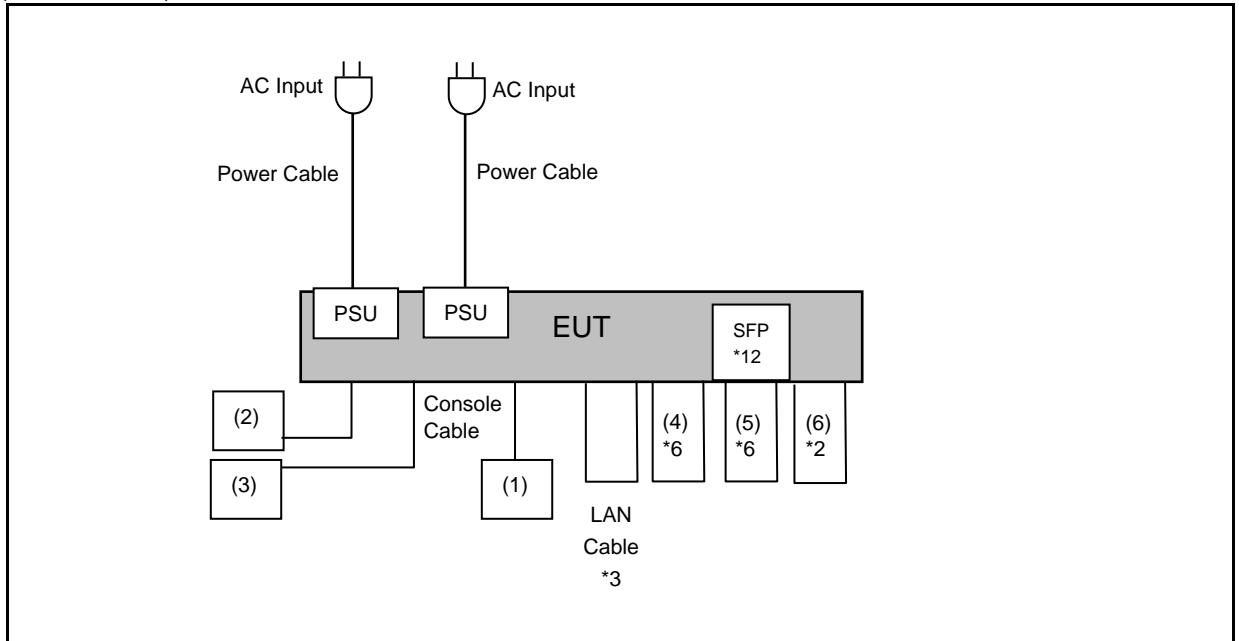
3.3. Configuration of Test System Details

Conducted Emission / Radiated Emission (Below 1 GHz)

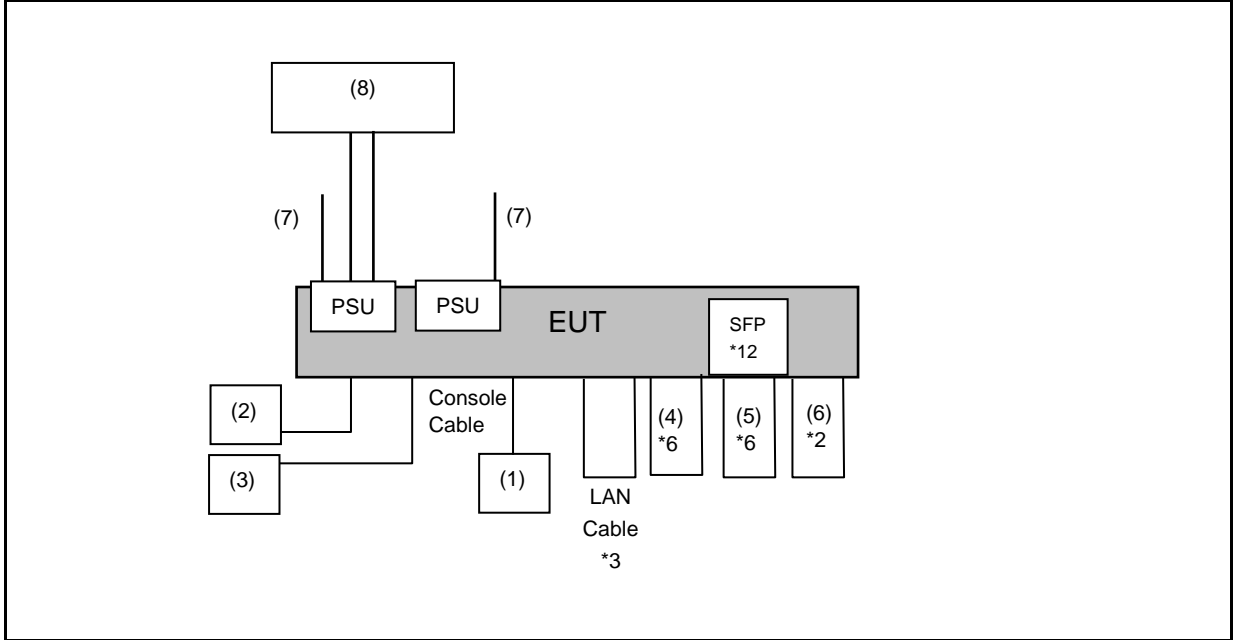
(One AC Power)



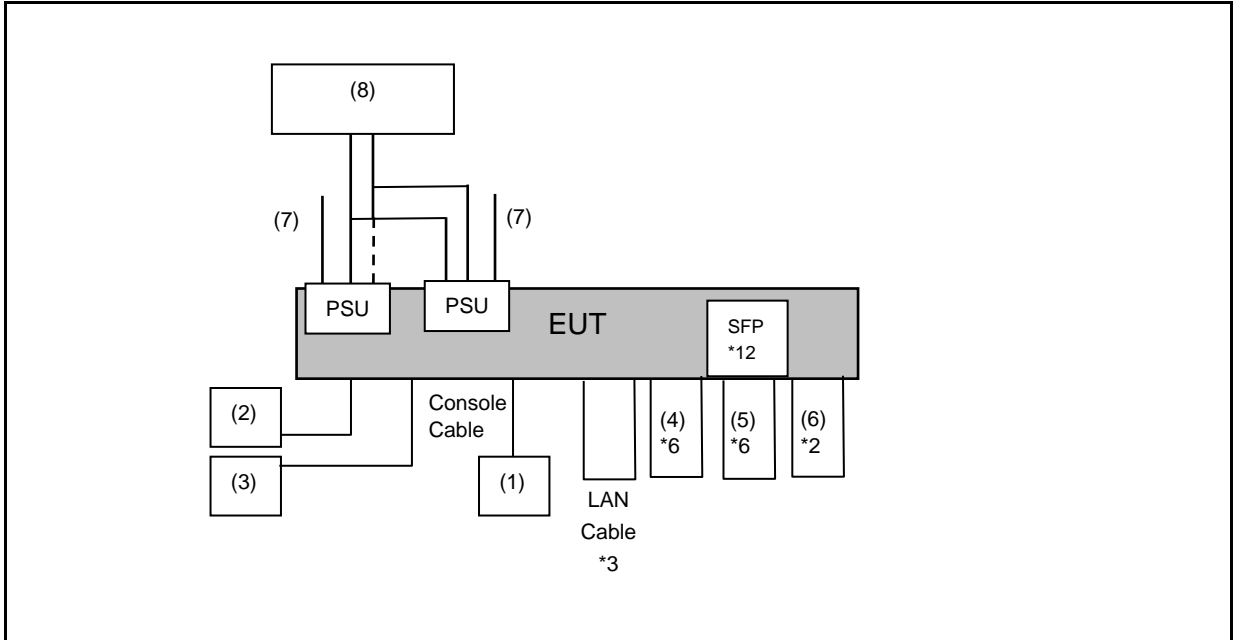
(Two AC Power)



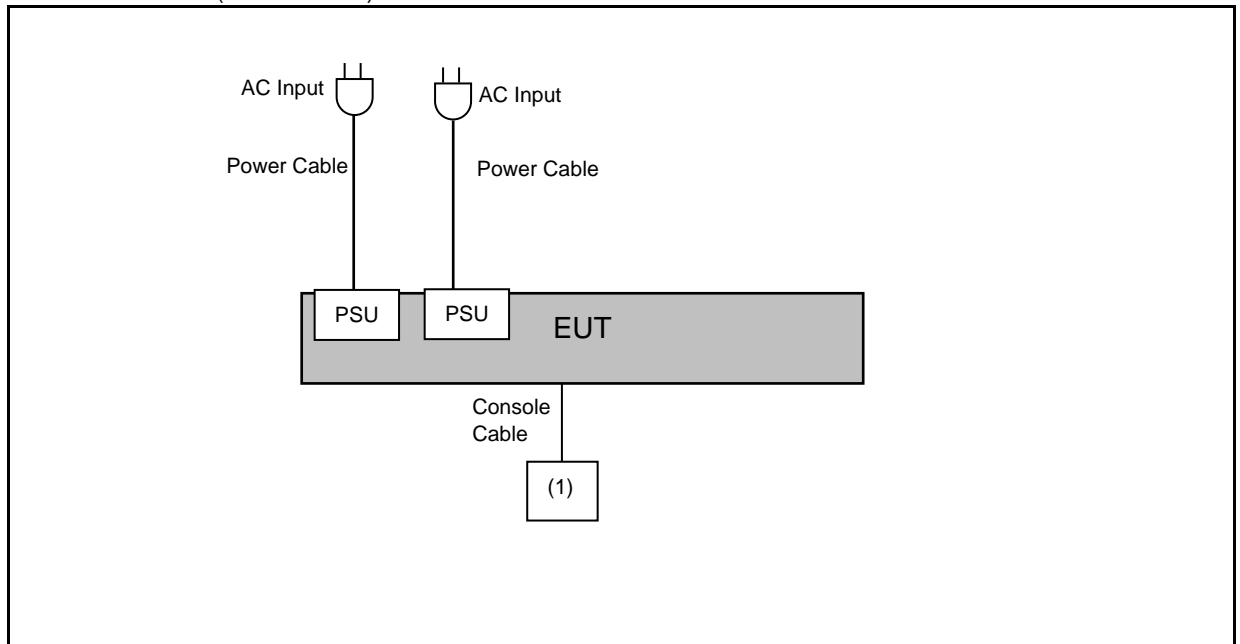
Conducted Emission / Radiated Emission (Below 1 GHz)
(One DC Power)



(Two DC Power)



Radiated Emission (Above 1 GHz)



Devices Description					
	Product	Manufacturer	Model Number	Serial Number	Power Cord
(1)	Notebook	Lenovo	L14	---	---
(2)	Keyboard	DELL	KB522	---	---
(3)	Keyboard	DELL	KB4021	---	---
(4)	LAN Cable	ENERGY FULL	R047169R	---	---
(5)	Fiber cable	Optech	LC/PC-LC/PC/M3/1M/2	---	---
(6)	AOC cable	Wavesplitter	WST-S28-AOC-0H3C	---	---
(7)	Terminal Cable	Eurofins	001	---	---
(8)	Power Supply	APE	ADC100-20	---	---

3.4. Test Instruments

For Conducted

Test Period: Dec. 06, 2022

Testing Engineer: An Wu

Test Site		RF01-WG				
Use	Equipment	Manufacturer	Model Number	Serial Number	Cal. Date	Cal. Period
<input checked="" type="checkbox"/>	Switch Box	R&S	OSP-B157W8	100850	Dec. 20, 2021	1 year
<input checked="" type="checkbox"/>	Spectrum Analyzer (10 Hz~44 GHz)	Agilent	N9020B	MY53120541	Feb. 17, 2022	1 year

Note: N.C.R. = No Calibration Request.

For Radiated Emissions

Test Period: Dec. 02 ~ Dec. 12, 2022

Testing Engineer: Marin Lee

Test Site		96602-WG				
Use	Equipment	Manufacturer	Model Number	Serial Number	Cal. Date	Cal. Period
<input checked="" type="checkbox"/>	Active Loop Antenna (9 kHz~30 MHz)	Schwarzbeck Mess-Elektronik	FMZB 1513-60	1513-60-031	Feb. 17, 2022	1 year
<input checked="" type="checkbox"/>	Trilog Broadband Antenna (30 kHz~1 GHz)	Schwarzbeck Mess-Elektronik	VULB9168	1276	Jan. 05, 2022	1 year
<input checked="" type="checkbox"/>	Broadband Horn Antenna (1 GHz~18 GHz)	RF SPIN	DRH18-E	210305A18ES	Feb. 25, 2022	1 year
<input checked="" type="checkbox"/>	Broadband Horn Antenna (15 GHz~40 GHz)	Schwarzbeck Mess-Elektronik	BBHA9170	1133	Feb. 24, 2022	1 year
<input checked="" type="checkbox"/>	Spectrum Analyzer (10 Hz~44 GHz)	KEYSIGHT	N9020B	MY60112362	Feb. 17, 2022	1 year
<input checked="" type="checkbox"/>	Pre-Amplifier	Agilent	8447D	2944A10961	Jul. 07, 2022	1 year
<input checked="" type="checkbox"/>	Pre-Amplifier	EMCI	EMC184045SE	980861	Dec. 27, 2022	1 year
<input checked="" type="checkbox"/>	Coaxial Cable (10kHz~3000mHz)	EMCI	EMCCFD400-NM-NM-2000	211006	Nov. 14, 2022	1 year
<input checked="" type="checkbox"/>	Coaxial Cable (10kHz~3000mHz)	EMCI	EMCCFD400-NM-NM-2000	211007	Nov. 14, 2022	1 year
<input checked="" type="checkbox"/>	Coaxial Cable (10kHz~3000mHz)	EMCI	EMCCFD400-NM-NM-6000	211015	Nov. 14, 2022	1 year
<input checked="" type="checkbox"/>	Coaxial Cable (1GHz~18GHz)	EMCI	EMC104-SM-SM-1000	211026	Nov. 14, 2022	1 year
<input checked="" type="checkbox"/>	Coaxial Cable (1GHz~18GHz)	EMCI	EMC104-SM-SM-2000	211035	Nov. 14, 2022	1 year
<input checked="" type="checkbox"/>	Coaxial Cable (1GHz~18GHz)	EMCI	EMC104-SM-SM-8000	211036	Nov. 14, 2022	1 year
<input checked="" type="checkbox"/>	Coaxial Cable (18GHz~40GHz)	EMCI	EMC101G-KM-KM-600	211211	Jan. 18, 2022	1 year
<input checked="" type="checkbox"/>	Coaxial Cable (18GHz~40GHz)	EMCI	EMC101G-KM-KM-2000	211210	Jan. 18, 2022	1 year
<input checked="" type="checkbox"/>	Coaxial Cable (18GHz~40GHz)	EMCI	EMC101G-KM-KM-6000	211209	Jan. 18, 2022	1 year
<input checked="" type="checkbox"/>	Highpass Filter	Warison	WFIL-H3000-20000F	WR4BBFWC2B1	Nov. 14, 2022	1 year
<input checked="" type="checkbox"/>	True RMS Multimeter	FLIKE	87V	15530240	Jun. 15, 2022	1 year

Note: N.C.R. = No Calibration Request.

For Conduction Emissions

Test Period: Dec. 02 ~ Dec. 12, 2022

Testing Engineer: Marin Lee

Test Site		Conduction01-WG				
Use	Equipment	Manufacturer	Model Number	Serial Number	Cal. Date	Cal. Period
<input checked="" type="checkbox"/>	Test Receiver	R&S	ESR3	102919	Dec 30, 2022	1 year
<input checked="" type="checkbox"/>	LISN	R&S	ENV216	101041	Apr 15, 2022	1 year
<input checked="" type="checkbox"/>	Current Probe	R&S	EZ-17	101687	Jun 20, 2022	1 year
<input checked="" type="checkbox"/>	Cable	EMCI	EMCCFD300-BM-NM-4000	220402	Jun 09, 2022	1 year
<input checked="" type="checkbox"/>	Test Site	ATL	Conduction01-WG	Conduction01-WG	N.C.R.	N.C.R.
<input checked="" type="checkbox"/>	Software	ELEKTRA	94.50.4	N.A.	N.C.R.	N.C.R.

Note: N.C.R. = No Calibration Request.

3.5. Test Site Environment

Items	Required (IEC 60068-1)	Actual
Temperature (°C)	15-35	20-30
Humidity (%RH)	25-75	45-75

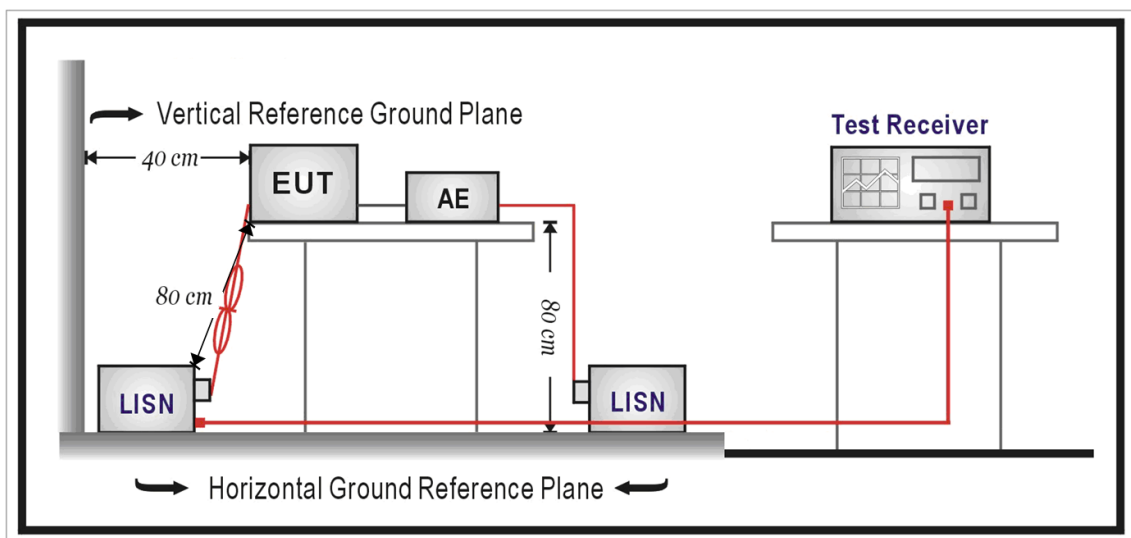
4 Measurement Procedure

4.1. AC Power Line Conducted Emission Measurement

■ Limit

Frequency (MHz)	Quasi-peak	Average
0.15 - 0.5	66 to 56	56 to 46
0.50 - 5.0	56	46
5.0 - 30.0	60	50

■ Test Setup



■ Test Procedure

The EUT and simulators are connected to the main power through a line impedance stabilization network (L.I.S.N.). This provides a $50 \Omega // 50 \mu\text{H}$ coupling impedance for the measuring equipment. The peripheral devices are also connected to the main power through a LISN that provides a $50 \Omega // 50 \mu\text{H}$ coupling impedance with 50 ohm termination.

Tabletop device shall be placed on a non-conducting platform, of nominal size 1 m by 1.5 m, raised 80 cm above the reference ground plane. The wall of screened room shall be located 40 cm to the rear of the EUT. Other surfaces of tabletop or floor standing EUT shall be at least 80 cm from any other ground conducting surface including one or more LISNs. For floor-standing device shall be placed under the EUT with a 12 mm insulating material.

Conducted emissions were investigated over the frequency range from 0.15 MHz to 30 MHz using a resolution bandwidth of 9 kHz. The equipment under test (EUT) shall be meet the limits in section 4.1, as applicable, including the average limit and the quasi-peak limit when using respectively, an average detector and quasi-peak detector measured in accordance with the methods described of related standard. When all of peak value were complied with quasi-peak and average limit from 150 kHz to 30 MHz then quasi-peak and average measurement was unnecessary.

The AMN shall be placed 0.8 m from the boundary of the unit under test and bonded to a ground reference plane for AMNs mounted on top of the ground reference plane. This distance is between the closest points of the AMN and the EUT. All other units of the EUT and associated equipment shall be at least 0.8 m from the AMN. If the mains power cable is longer than 1 m then the cable shall be folded back and forth at the centre of the lead to form a bundle no longer than 0.4 m. All of interconnecting cables that hang closer than 40 cm to the ground plane shall be folded back and forth in the center forming a bundle 30 cm to 40 cm long. All of EUT and AE shall be separate place more than 0.1 m. All 50 Ω ports of the LISN shall be resistively terminated into 50 Ω loads when not connected to the measuring instrument.

If the reading of the measuring receiver shows fluctuations close to the limit, the reading shall be observed for at least 15 s at each measurement frequency; the higher reading shall be recorded with the exception of any brief isolated high reading which shall be ignored.

4.2. Radiated Emission Measurement

■ Limit

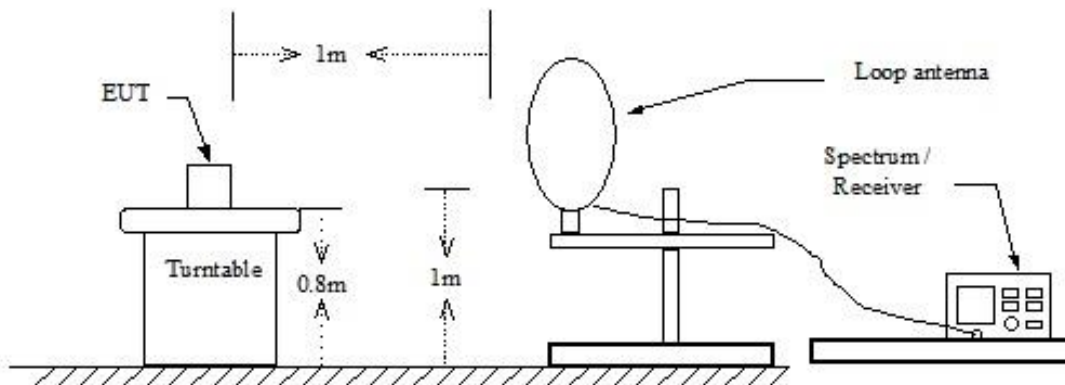
According to §15.209(a), except as provided elsewhere in this subpart, the emissions from an intentional radiator shall not exceed the field strength levels specified in the following table:

Frequency (MHz)	Field Strength ($\mu\text{V}/\text{m}$ at meter)	Measurement Distance (meters)
0.009 – 0.490	$2400 / F$ (kHz)	300
0.490 – 1.705	$24000 / F$ (kHz)	30
1.705 – 30.0	30	30
30 - 88	100**	3
88-216	150**	3
216-960	200**	3
Above 960	500	3

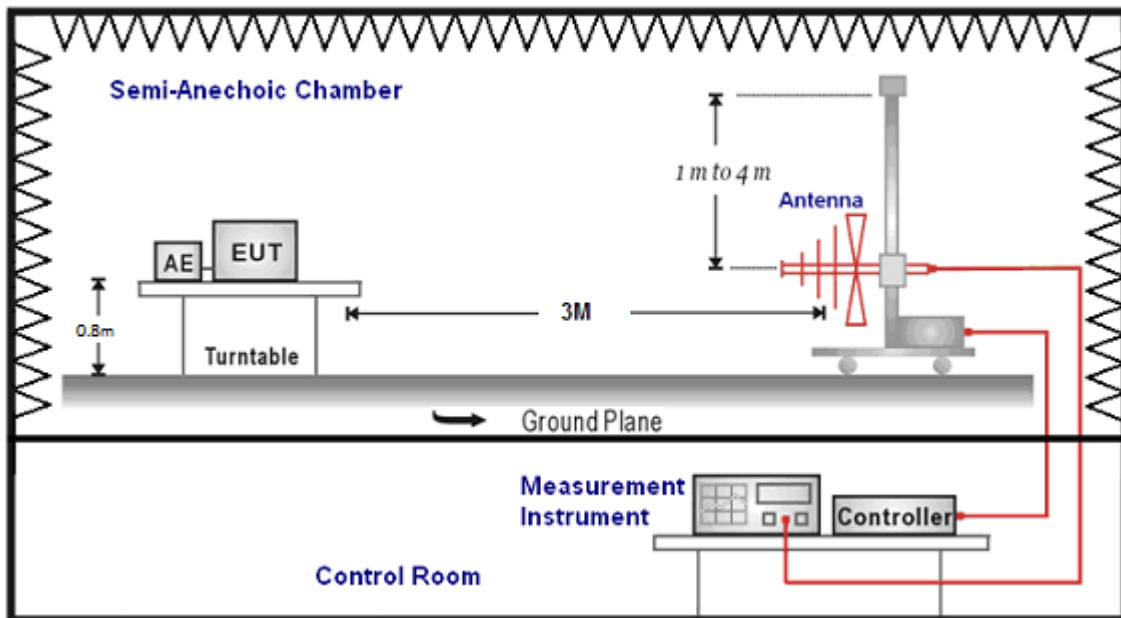
** Except as provided in paragraph (g), fundamental emissions from intentional radiators operating under this Section shall not be located in the frequency bands 54-72 MHz, 76-88 MHz, 174-216 MHz or 470-806 MHz. However, operation within these frequency bands is permitted under other sections of this Part, e.g., Sections 15.231 and 15.241.

■ Setup

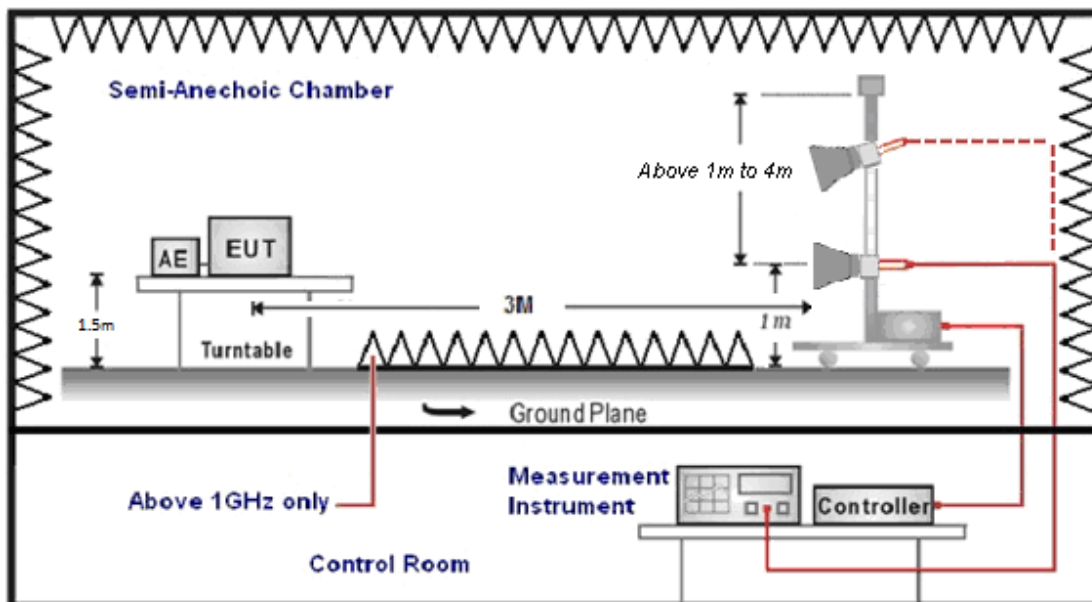
9 kHz ~ 30 MHz



Below 1 GHz



Above 1 GHz



■ Test Procedure

Final radiation measurements were made on a three-meter, Semi Anechoic Chamber. The EUT system was placed on a nonconductive turntable which is 0.8 or 1.5 meters height, top surface 1.0 x 1.5 meter. The spectrum was examined from 250 MHz to 2.5 GHz in order to cover the whole spectrum below 10th harmonic which could generate from the EUT. During the test, EUT was set to transmit continuously & Measurements spectrum range from 9 kHz to 26.5 GHz is investigated.

For measurements below 1 GHz the resolution bandwidth is set to 100 kHz for peak detection measurements or 120 kHz for quasi-peak detection measurements. Peak detection is used unless otherwise noted as quasi-peak.

For measurements above 1 GHz the resolution bandwidth is set to 1 MHz, and then the video bandwidth is set to 3 MHz for peak measurements and 10 Hz for average measurements when Duty cycle >0.98 / $1/T$ for average measurements when Duty cycle <0.98 . A nonconductive material surrounded the EUT to supporting the EUT for standing on three orthogonal planes. At each condition, the EUT was rotated 360 degrees, and the antenna was raised and lowered from one to four meters to find the maximum emission levels. Measurements were taken using both horizontal and vertical antenna polarization.

SCHWARZBECK MESS-ELEKTRONIK Biconilog Antenna at 3 Meter and the SCHWARZBECK Double Ridged Guide Antenna was used in frequencies 1 –26.5 GHz at a distance of 3 meter. The antenna at an angle toward the source of the emission. All test results were extrapolated to equivalent signal at 3 meters utilizing an inverse linear distance extrapolation Factor (20 dB/decade).

For testing above 1 GHz, the emission level of the EUT in peak mode was 20 dB lower than average limit (that means the emission level in peak mode also complies with the limit in average mode), then testing will be stopped and peak values of EUT will be reported, otherwise, the emissions will be measured in average mode again and reported.

Appropriate preamplifiers were used for improving sensitivity and precautions were taken to avoid overloading or desensitizing the spectrum analyzer. No post – detector video filters were used in the test.

The spectrum analyzer's 6 dB bandwidth was set to 1 MHz, and the analyzer was operated in the peak detection mode, for frequencies both below and up 1 GHz. The average levels were obtained by subtracting the duty cycle correction factor from the peak readings.

The following procedures were used to convert the emission levels measured in decibels referenced to 1 microvolt (dBuV) into field intensity in micro volts pre meter (uV/m).

The actual field intensity in decibels referenced to 1 microvolt in to field intensity in micro volts per meter (dBuV/m).

The actual field intensity in referenced to 1 microvolt per meter (dBuV/m) is determined by algebraically adding the measured reading in dBuV, the antenna factor (dB), and cable loss (dB) and Subtracting the gain of preamplifier (dB) is auto calculate in spectrum analyzer.

$$(1) \text{ Amplitude (dBuV/m) = FI (dBuV) +AF (dBuV) +CL (dBuV)-Gain (dB)}$$

FI= Reading of the field intensity.

AF= Antenna factor.

CL= Cable loss.

P.S Amplitude is auto calculate in spectrum analyzer.

$$(2) \text{ Actual Amplitude (dBuV/m) = Amplitude (dBuV)-Dis(dB)}$$

The FCC specified emission limits were calculated according the EUT operating frequency and by following linear interpolation equations:

(a) For fundamental frequency : Transmitter Output < +30 dBm

(b) For spurious frequency : Spurious emission limits = fundamental emission limit /10

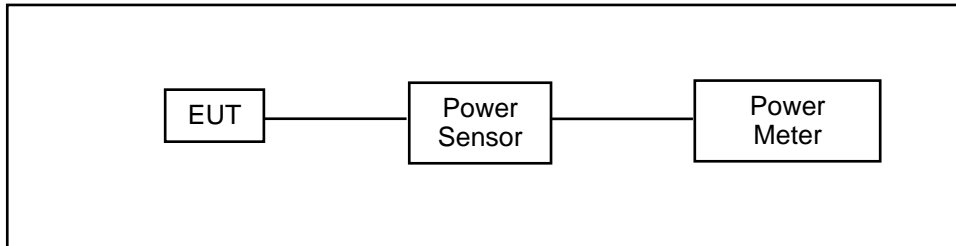
Data of measurement within this frequency range without mark in the table above means the reading of emissions are attenuated more than 20 dB below the permissible limits or the field strength is too small to be measured.

4.3. Maximum Conducted Output Power Measurement

■ **Limit**

For systems using digital modulation in the 2400-2483.5 MHz, the limit for peak output power is 30 dBm.

■ **Test Setup**



■ **Test Procedure**

The testing follows the Measurement Procedure of ANSI C63.10:2013 section 11.9.2.3.2 Method AVGPM.

The tests below are run with the EUT's transmitter set at high power in TX mode. The EUT is needed to force selection of output power level and channel number. While testing, EUT was set to transmit continuously. Remove the Subjective device's antenna and connect the RF output port to power sensor..

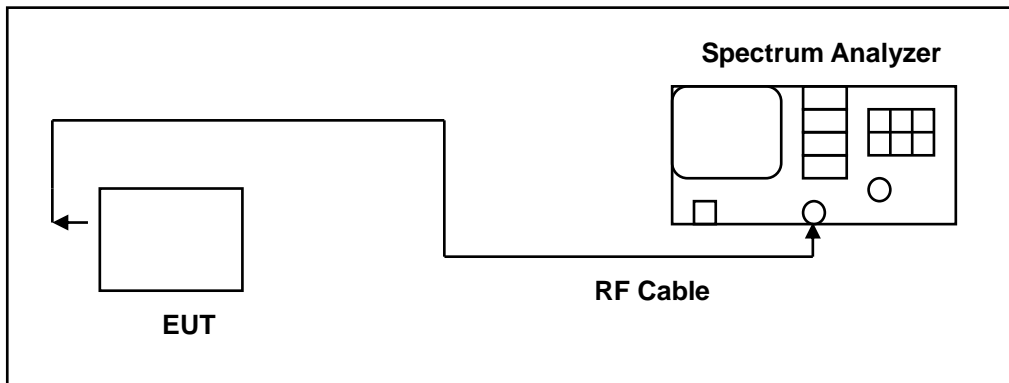
4.4. 6 dB RF Bandwidth Measurement

■ **Limit**

6 dB RF Bandwidth: Systems using digital modulation techniques may operate in the 2400–2483.5 MHz bands. The minimum 6 dB band-width shall be at least 500 kHz.

99 % Occupied Bandwidth: N/A

■ **Test Setup**



■ **Test Procedure**

The EUT tested to DTS test procedure of ANSI C63.10:2013 section 11.8.2 option2 for compliance to FCC 47CFR 15.247 requirements.

6 dB RF Bandwidth: The antenna port of the EUT was connected to the input of a spectrum analyzer. Analyzer RBW was set to 100 kHz. For each RF output channel investigated, the spectrum analyzer center frequency was set to the channel carrier. A peak output reading was taken, a DISPLAY line was drawn 6 dB lower than peak level. The 6 dB bandwidth was determined from where the channel output spectrum intersected the display line.

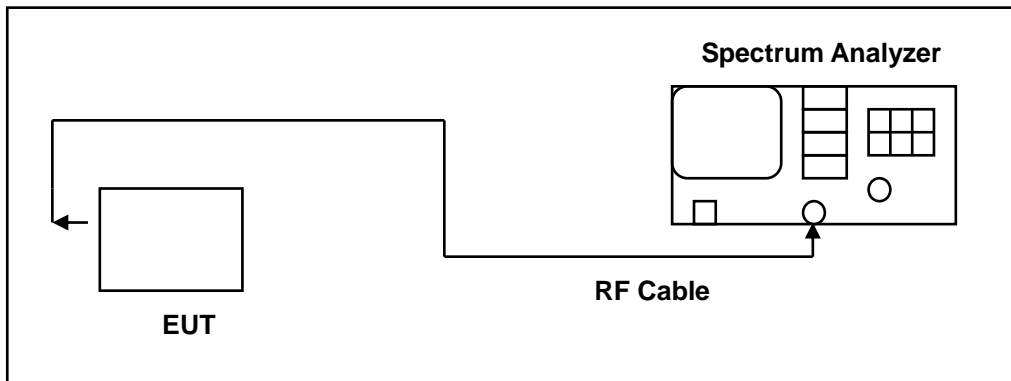
The test was performed at 3 channels (Channel low, middle, high)

4.5. Maximum Power Density Measurement

■ Limit

For digitally modulated systems, the power spectral density conducted from the intentional radiator to the antenna shall not be greater than 8 dBm in any 3 kHz band during any time interval of continuous transmission.

■ Test Setup



■ Test Procedure

The EUT tested to DTS test procedure of ANSI C63.10:2013 section 11.10.2 Method PKPSD.

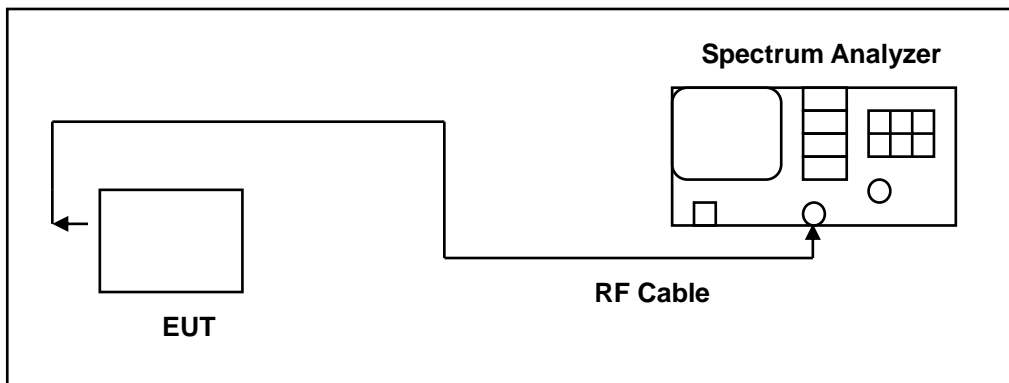
1. Set analyzer center frequency to DTS channel center frequency.
2. Set the span to 1.5 times the DTS bandwidth.
3. Set the RBW to: $3 \text{ kHz} \leq \text{RBW} \leq 100 \text{ kHz}$.
4. Set the VBW $\geq 3 \times \text{RBW}$.
5. Detector = peak.
6. Sweep time = auto couple.
7. Trace mode = max hold.
8. Allow trace to fully stabilize.
9. Use the peak marker function to determine the maximum amplitude level within the RBW.
10. If measured value exceeds limit, reduce RBW (no less than 3 kHz) and repeat.

4.6. Out of Band Conducted Emissions Measurement

■ Limit

In any 100 kHz bandwidth outside the frequency band in which the spread spectrum or digitally modulated intentional radiator is operating, the radio frequency power that is produced by the intentional radiator shall be at least 20 dB below that in the 100 kHz bandwidth within the band that contains the highest level of the desired power

■ Test Setup



■ Test Procedure

In any 100 kHz bandwidth outside the EUT pass band, the RF power produced by the modulation products of the spreading sequence, the information sequence, and the carrier frequency shall be at least 20 dB below that of the maximum in-band 100 kHz emission, antenna output of the EUT was coupled directly to spectrum analyzer; if an external attenuator and/or cable was used, these losses are compensated for with the analyzer OFFSET function.

All other types of emissions from the EUT shall meet the general limits for radiated frequencies outside the pass band. The test was performed at 3 channels.

4.7. Antenna Measurement

■ Limit

For intentional device, according to 15.203, an intentional radiator shall be designed to ensure that no antenna other than that furnished by the responsible party shall be used with the device.

And According to 15.247 (b), if transmitting antennas of directional gain greater than 6 dBi are used, the power shall be reduced by the amount in dB that the directional gain of the antenna exceeds 6 dBi.

■ Antenna Connector Construction

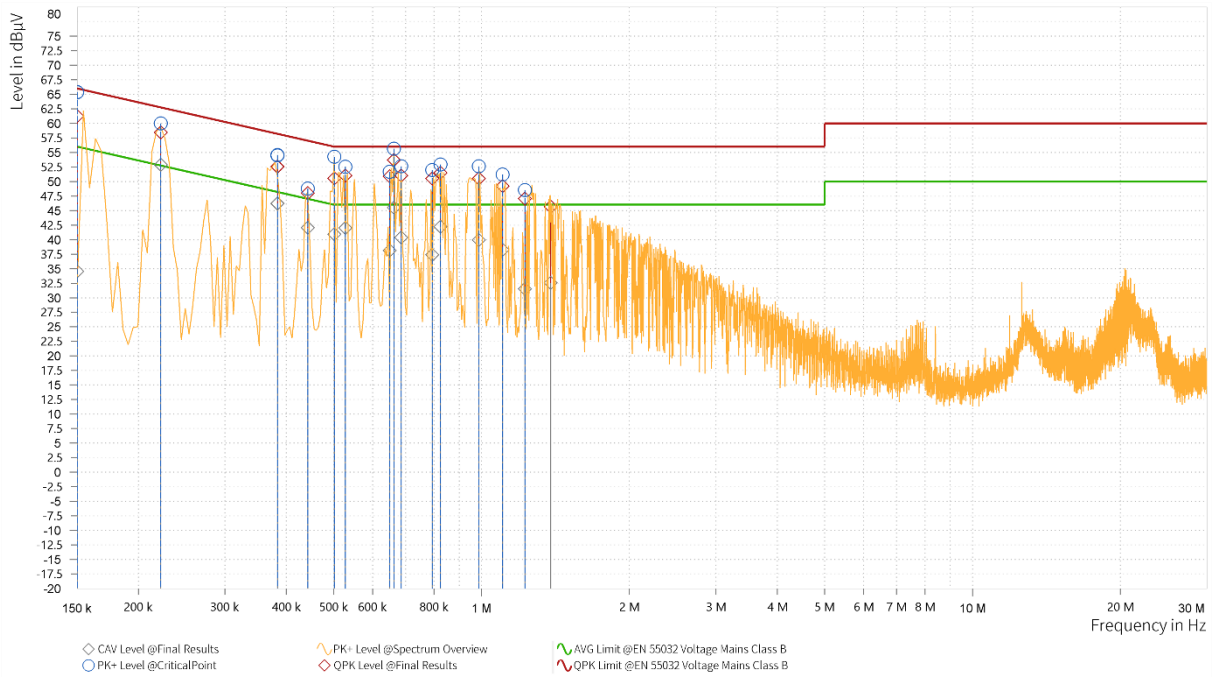
See section 2 – antenna information.

5 Test Results

5.1. Conducted Emission

Standard:	FCC Part 15.247	Power:	AC 120 V/60 Hz
Test item:	Conducted Emission		
Mode:	Transmit Mode		
Description:			

FG-601F_AC PSU(Delta_Left)



FG-601F_AC PSU(Delta_Left)

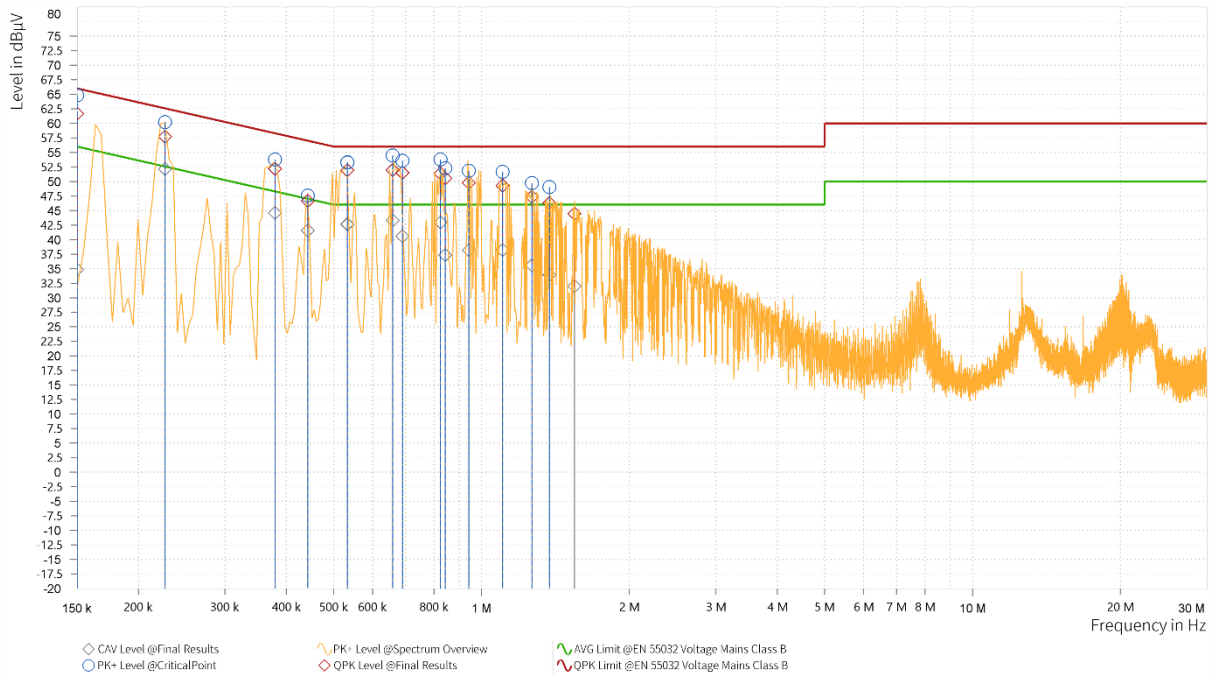
Rg	Frequency [MHz]	QPK Level [dBμV]	QPK Limit [dBμV]	QPK Margin [dB]	CAV Level [dBμV]	CAV: AVG Limit [dBμV]	CAV Margin [dB]	Correction [dB]	Line
1	0.150	61.24	66.00	4.76	34.54	56.00	21.46	9.65	L1
1	0.150	61.25	66.00	4.75	34.54	56.00	21.46	9.65	L1
1	0.222	58.42	62.74	4.32	52.89	52.74	-0.15	9.65	L1
1	0.384	52.55	58.19	5.64	46.20	48.19	1.99	9.66	L1
1	0.384	52.54	58.19	5.65	46.23	48.19	1.96	9.66	L1
1	0.443	48.00	57.01	9.02	42.05	47.01	4.96	9.66	L1
1	0.501	50.56	56.00	5.44	40.94	46.00	5.06	9.66	L1
1	0.528	51.00	56.00	5.00	42.03	46.00	3.97	9.66	L1
1	0.650	50.88	56.00	5.12	38.13	46.00	7.87	9.67	L1
1	0.663	53.70	56.00	2.30	45.52	46.00	0.48	9.67	L1
1	0.686	51.04	56.00	4.96	40.39	46.00	5.61	9.67	L1
1	0.794	50.48	56.00	5.52	37.41	46.00	8.59	9.67	L1
1	0.825	51.49	56.00	4.51	42.24	46.00	3.76	9.67	L1
1	0.987	50.49	56.00	5.51	39.96	46.00	6.04	9.68	L1
1	1.104	49.22	56.00	6.78	38.26	46.00	7.74	9.69	L1
1	1.226	47.04	56.00	8.96	31.52	46.00	14.48	9.69	L1
1	1.383	45.68	56.00	10.32	32.58	46.00	13.42	9.70	L1

Note:1.Result (dBuV) = Correction factor (dB) + Reading(dBuV).

2.Correction factor (dB) = Cable loss (dB) + L.I.S.N. factor (dB).

3.Via turn off the radio function, this digital device emission is from the non transmitter portion of the EUT and it is an harmonic of the digital circuitry. This emission complies with part 15 Subpart B class A limit.

FG-601F_AC PSU(Delta_Left)

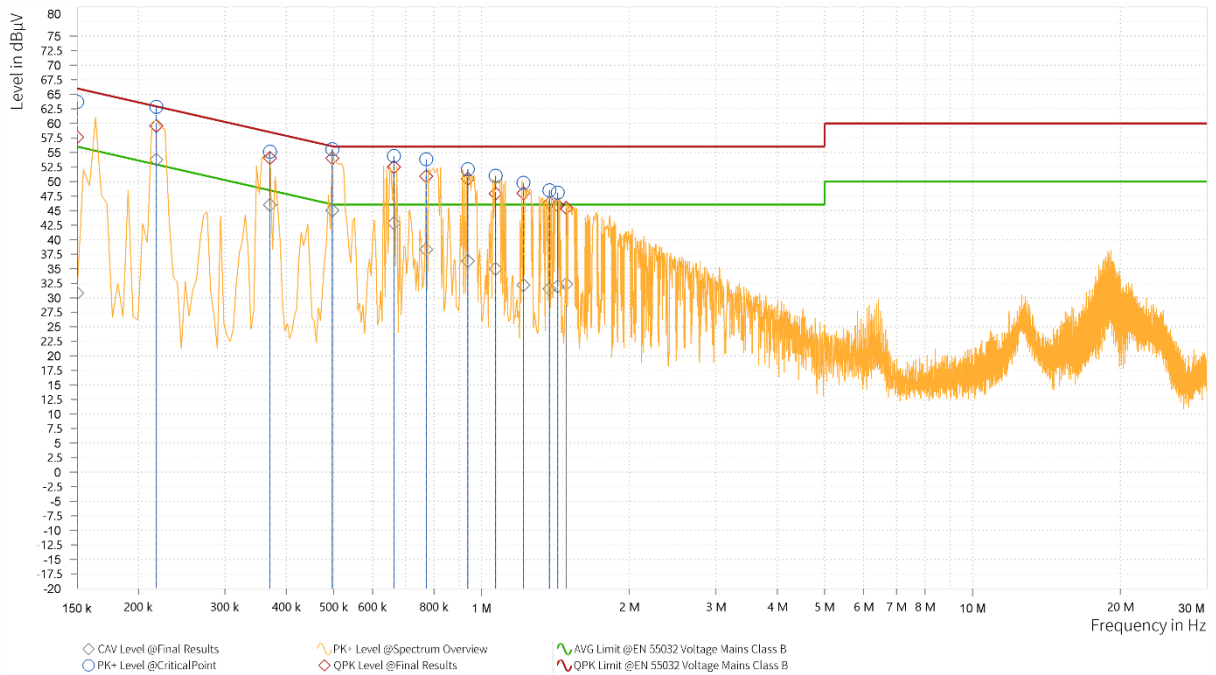


Rg	Frequency [MHz]	QPK Level [dBµV]	QPK Limit [dBµV]	QPK Margin [dB]	CAV Level [dBµV]	CAV: AVG Limit [dBµV]	CAV Margin [dB]	Correction [dB]	Line
1	0.150	61.66	66.00	4.34	34.84	56.00	21.16	9.65	N
1	0.227	57.73	62.58	4.85	52.12	52.58	0.45	9.65	N
1	0.380	52.18	58.29	6.11	44.59	48.29	3.70	9.66	N
1	0.443	46.67	57.01	10.35	41.56	47.01	5.46	9.66	N
1	0.533	51.91	56.00	4.09	42.62	46.00	3.38	9.66	N
1	0.533	51.94	56.00	4.06	42.70	46.00	3.30	9.66	N
1	0.659	51.98	56.00	4.02	43.29	46.00	2.71	9.66	N
1	0.690	51.49	56.00	4.51	40.59	46.00	5.41	9.66	N
1	0.825	51.37	56.00	4.63	42.94	46.00	3.06	9.67	N
1	0.843	50.56	56.00	5.44	37.37	46.00	8.63	9.67	N
1	0.942	49.77	56.00	6.23	38.17	46.00	7.83	9.67	N
1	1.104	49.31	56.00	6.69	38.23	46.00	7.77	9.68	N
1	1.266	47.34	56.00	8.66	35.59	46.00	10.41	9.68	N
1	1.374	46.27	56.00	9.73	33.96	46.00	12.04	9.69	N
1	1.545	44.49	56.00	11.51	32.02	46.00	13.98	9.70	N

Note:1.Result (dBuV) = Correction factor (dB) + Reading(dBuV).

2.Correction factor (dB) = Cable loss (dB) + L.I.S.N. factor (dB).

FG-601F_AC PSU(Delta_Right)



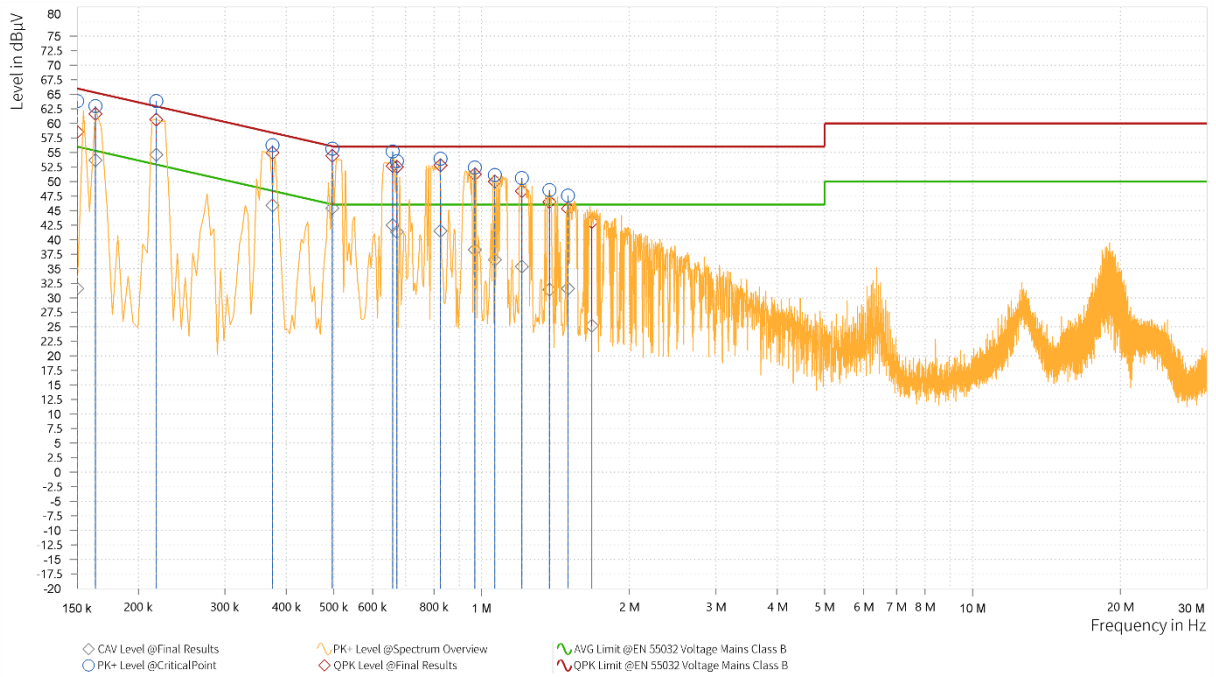
Rg	Frequency [MHz]	QPK Level [dBµV]	QPK Limit [dBµV]	QPK Margin [dB]	CAV Level [dBµV]	CAV: AVG Limit [dBµV]	CAV Margin [dB]	Correction [dB]	Line
1	0.150	57.62	66.00	8.38	30.80	56.00	25.20	9.65	L1
1	0.218	59.56	62.91	3.35	53.75	52.91	-0.83	9.65	L1
1	0.371	54.03	58.49	4.46	45.96	48.49	2.53	9.66	L1
1	0.497	53.99	56.06	2.07	45.01	46.06	1.05	9.66	L1
1	0.663	52.49	56.00	3.51	42.82	46.00	3.19	9.67	L1
1	0.771	50.91	56.00	5.09	38.30	46.00	7.70	9.67	L1
1	0.938	50.47	56.00	5.53	36.30	46.00	9.70	9.68	L1
1	1.068	47.93	56.00	8.07	35.00	46.00	11.00	9.68	L1
1	1.217	48.01	56.00	7.99	32.16	46.00	13.84	9.69	L1
1	1.374	46.32	56.00	9.68	31.55	46.00	14.45	9.70	L1
1	1.428	45.87	56.00	10.13	31.96	46.00	14.04	9.70	L1
1	1.487	45.47	56.00	10.53	32.34	46.00	13.66	9.70	L1

Note:1.Result (dBuV) = Correction factor (dB) + Reading(dBuV).

2.Correction factor (dB) = Cable loss (dB) + L.I.S.N. factor (dB).

3.Via turn off the radio function, this digital device emission is from the non transmitter portion of the EUT and it is an harmonic of the digital circuitry. This emission complies with part 15 Subpart B class A limit.

FG-601F_AC PSU(Delta_Right)



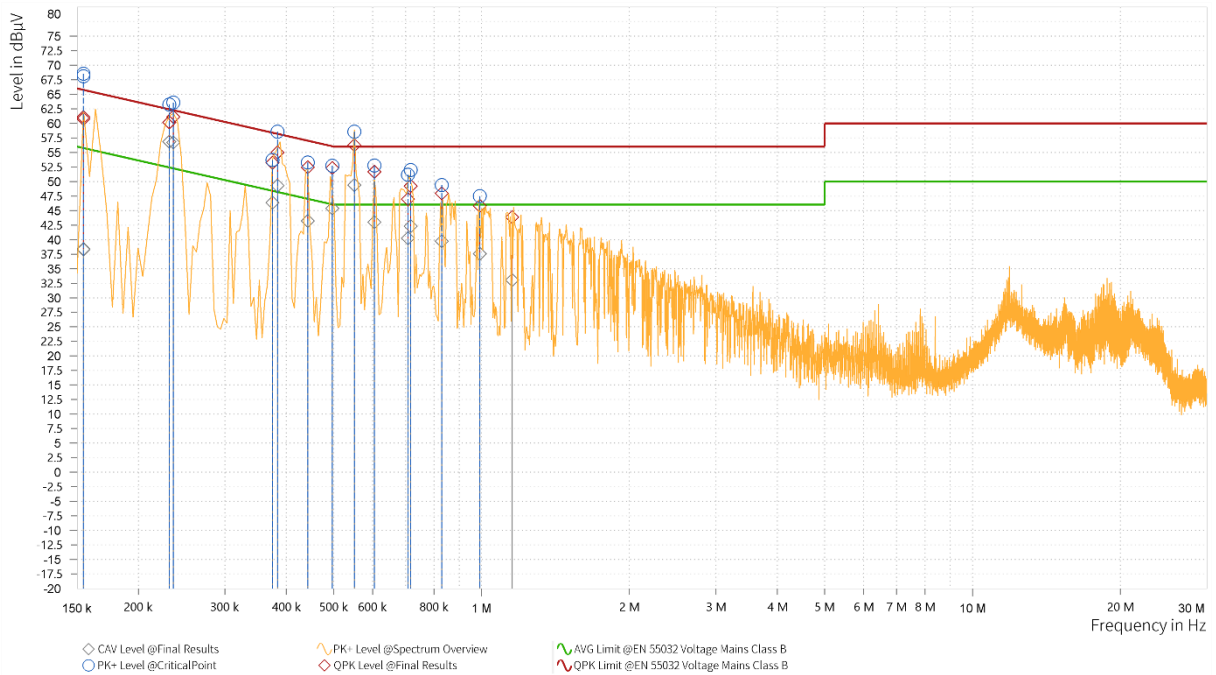
Rg	Frequency [MHz]	QPK Level [dBµV]	QPK Limit [dBµV]	QPK Margin [dB]	CAV Level [dBµV]	CAV: AVG Limit [dBµV]	CAV Margin [dB]	Correction [dB]	Line
1	0.150	58.55	66.00	7.45	31.58	56.00	24.42	9.65	N
1	0.164	61.63	65.28	3.66	53.65	55.28	1.63	9.65	N
1	0.218	60.62	62.91	2.29	54.62	52.91	-1.70	9.65	N
1	0.375	54.94	58.39	3.45	45.90	48.39	2.49	9.66	N
1	0.497	54.42	56.06	1.63	45.41	46.06	0.65	9.66	N
1	0.659	52.67	56.00	3.33	42.48	46.00	3.52	9.66	N
1	0.672	52.51	56.00	3.49	41.30	46.00	4.70	9.66	N
1	0.825	52.80	56.00	3.20	41.48	46.00	4.52	9.67	N
1	0.969	51.24	56.00	4.76	38.27	46.00	7.73	9.67	N
1	1.064	49.99	56.00	6.01	36.53	46.00	9.47	9.67	N
1	1.208	48.34	56.00	7.66	35.37	46.00	10.63	9.68	N
1	1.374	46.51	56.00	9.49	31.41	46.00	14.59	9.69	N
1	1.500	45.31	56.00	10.69	31.58	46.00	14.42	9.69	N
1	1.676	43.04	56.00	12.96	25.20	46.00	20.80	9.70	N

Note: 1.Result (dBuV) = Correction factor (dB) + Reading(dBuV).

2.Correction factor (dB) = Cable loss (dB) + L.I.S.N. factor (dB).

3.Via turn off the radio function, this digital device emission is from the non transmitter portion of the EUT and it is an harmonic of the digital circuitry. This emission complies with part 15 Subpart B class A limit.

FG-601F_AC PSU(Delta_Left + Right)



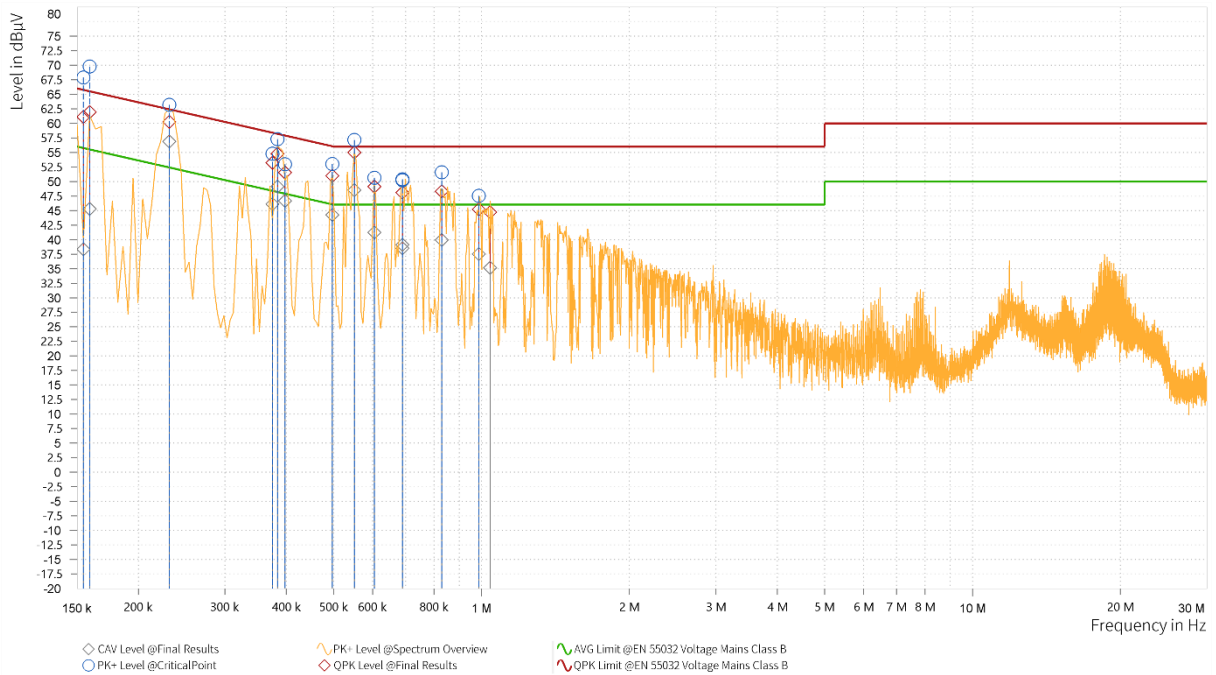
Rg	Frequency [MHz]	QPK Level [dBµV]	QPK Limit [dBµV]	QPK Margin [dB]	CAV Level [dBµV]	CAV: AVG Limit [dBµV]	CAV Margin [dB]	Correction [dB]	Line
1	0.155	61.08	65.75	4.68	38.40	55.75	17.36	9.65	L1
1	0.155	60.78	65.75	4.98	38.32	55.75	17.44	9.65	L1
1	0.231	60.16	62.41	2.26	56.84	52.41	-4.42	9.65	L1
1	0.236	61.12	62.25	1.13	56.71	52.25	-4.46	9.65	L1
1	0.375	53.22	58.39	5.17	46.36	48.39	2.03	9.66	L1
1	0.384	54.99	58.19	3.20	49.31	48.19	-1.12	9.66	L1
1	0.443	52.46	57.01	4.56	43.23	47.01	3.79	9.66	L1
1	0.497	52.33	56.06	3.72	45.39	46.06	0.67	9.66	L1
1	0.551	56.23	56.00	-0.23	49.40	46.00	-3.40	9.66	L1
1	0.605	51.65	56.00	4.35	43.01	46.00	2.99	9.67	L1
1	0.708	46.97	56.00	9.03	40.23	46.00	5.77	9.67	L1
1	0.717	49.23	56.00	6.77	42.31	46.00	3.69	9.67	L1
1	0.830	47.95	56.00	8.05	39.72	46.00	6.28	9.67	L1
1	0.992	45.82	56.00	10.18	37.59	46.00	8.41	9.68	L1
1	1.154	43.85	56.00	12.15	33.02	46.00	12.98	9.69	L1

Note:1.Result (dBuV) = Correction factor (dB) + Reading(dBuV).

2.Correction factor (dB) = Cable loss (dB) + L.I.S.N. factor (dB).

3.Via turn off the radio function, this digital device emission is from the non transmitter portion of the EUT and it is an harmonic of the digital circuitry. This emission complies with part 15 Subpart B class A limit.

FG-601F_AC PSU(Delta_Left + Right)



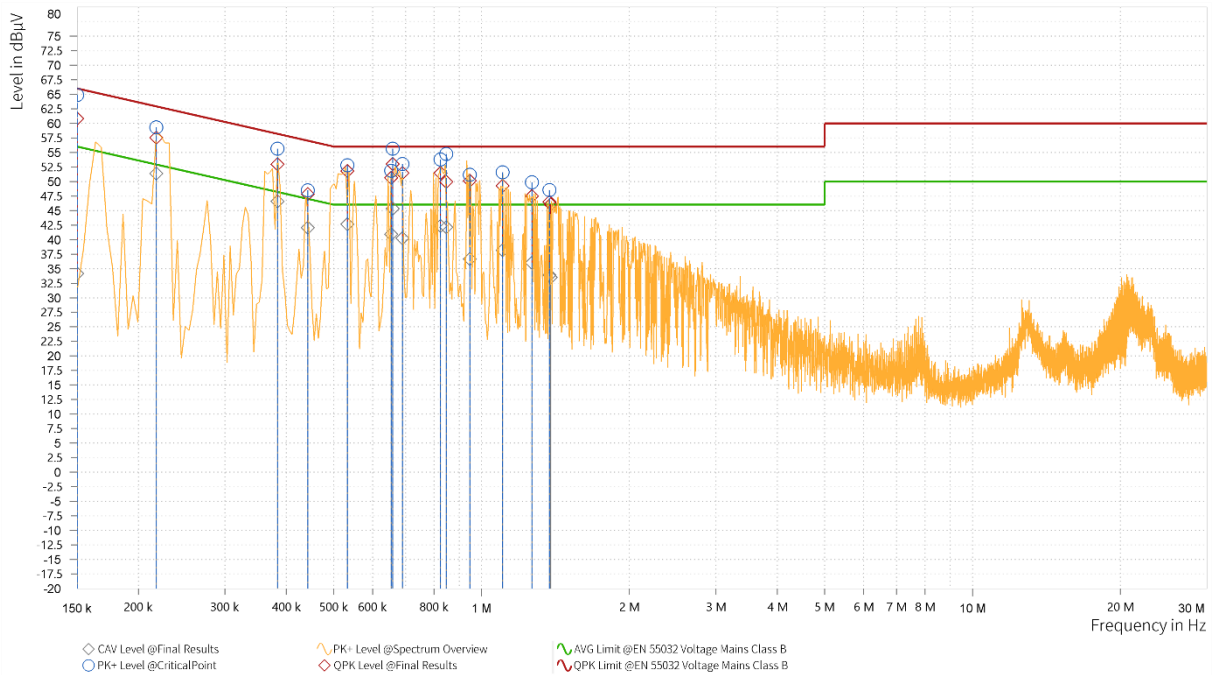
Rg	Frequency [MHz]	QPK Level [dBµV]	QPK Limit [dBµV]	QPK Margin [dB]	CAV Level [dBµV]	CAV: AVG Limit [dBµV]	CAV Margin [dB]	Correction [dB]	Line
1	0.155	61.11	65.75	4.64	38.34	55.75	17.42	9.65	N
1	0.159	61.95	65.52	3.57	45.29	55.52	10.23	9.65	N
1	0.231	60.24	62.41	2.18	56.88	52.41	-4.47	9.65	N
1	0.375	53.23	58.39	5.16	46.11	48.39	2.28	9.66	N
1	0.384	54.79	58.19	3.40	49.12	48.19	-0.92	9.66	N
1	0.398	51.55	57.91	6.35	46.67	47.91	1.24	9.66	N
1	0.497	50.99	56.06	5.07	44.23	46.06	1.83	9.66	N
1	0.551	54.99	56.00	1.01	48.50	46.00	-2.50	9.66	N
1	0.605	49.12	56.00	6.88	41.22	46.00	4.78	9.66	N
1	0.690	48.09	56.00	7.91	39.11	46.00	6.89	9.66	N
1	0.690	48.11	56.00	7.89	38.52	46.00	7.48	9.66	N
1	0.830	48.30	56.00	7.70	39.94	46.00	6.06	9.67	N
1	0.987	45.21	56.00	10.79	37.53	46.00	8.47	9.67	N
1	1.041	44.73	56.00	11.27	35.16	46.00	10.84	9.67	N

Note:1.Result (dBuV) = Correction factor (dB) + Reading(dBuV).

2.Correction factor (dB) = Cable loss (dB) + L.I.S.N. factor (dB).

3.Via turn off the radio function, this digital device emission is from the non transmitter portion of the EUT and it is an harmonic of the digital circuitry. This emission complies with part 15 Subpart B class A limit.

FG-600F_AC PSU(Delta_Left)

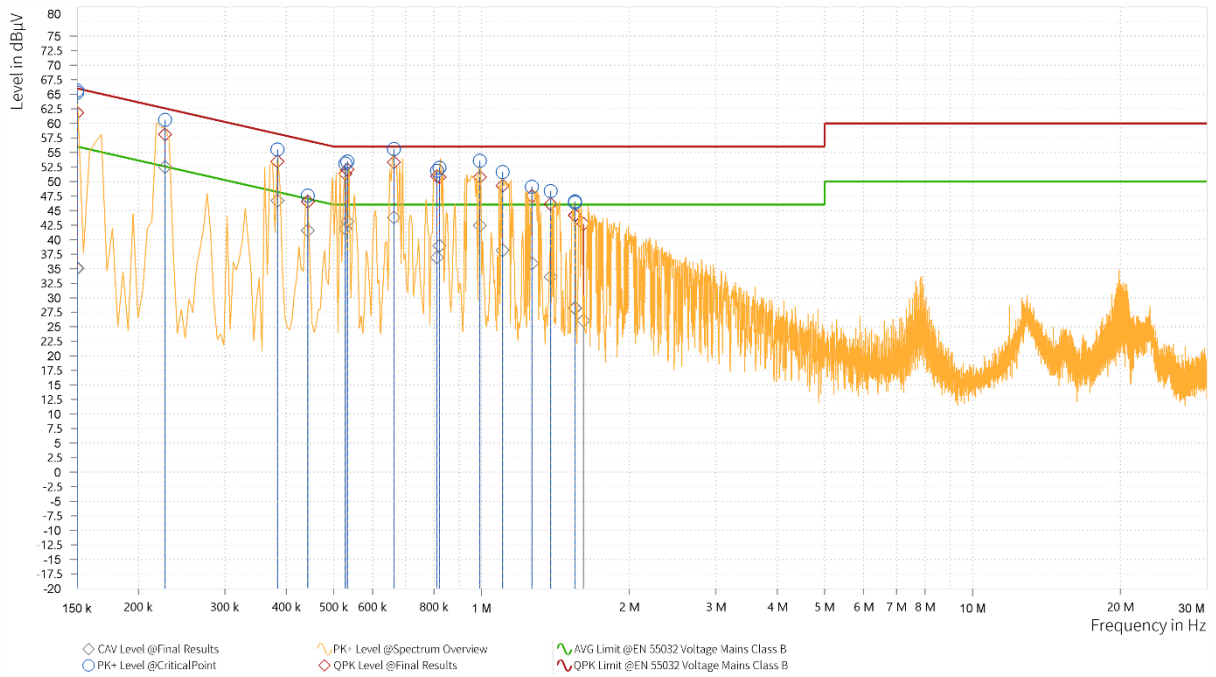


Rg	Frequency [MHz]	QPK Level [dBµV]	QPK Limit [dBµV]	QPK Margin [dB]	CAV Level [dBµV]	CAV: AVG Limit [dBµV]	CAV Margin [dB]	Correction [dB]	Line
1	0.150	60.82	66.00	5.18	34.15	56.00	21.85	9.65	L1
1	0.218	57.55	62.91	5.37	51.35	52.91	1.57	9.65	L1
1	0.384	52.95	58.19	5.24	46.56	48.19	1.63	9.66	L1
1	0.443	47.84	57.01	9.18	42.05	47.01	4.97	9.66	L1
1	0.533	51.79	56.00	4.21	42.67	46.00	3.33	9.66	L1
1	0.654	50.65	56.00	5.35	40.93	46.00	5.07	9.67	L1
1	0.659	53.02	56.00	2.98	45.31	46.00	0.69	9.67	L1
1	0.690	51.44	56.00	4.56	40.26	46.00	5.74	9.67	L1
1	0.825	51.47	56.00	4.53	42.35	46.00	3.65	9.67	L1
1	0.848	49.93	56.00	6.07	42.14	46.00	3.86	9.68	L1
1	0.947	50.12	56.00	5.88	36.65	46.00	9.35	9.68	L1
1	1.104	49.27	56.00	6.73	38.17	46.00	7.83	9.69	L1
1	1.266	47.47	56.00	8.53	36.02	46.00	9.98	9.69	L1
1	1.374	46.48	56.00	9.52	33.88	46.00	12.12	9.70	L1
1	1.383	46.04	56.00	9.96	33.51	46.00	12.49	9.70	L1

Note:1.Result (dBuV) = Correction factor (dB) + Reading(dBuV).

2.Correction factor (dB) = Cable loss (dB) + L.I.S.N. factor (dB).

FG-600F_AC PSU(Delta_Left)

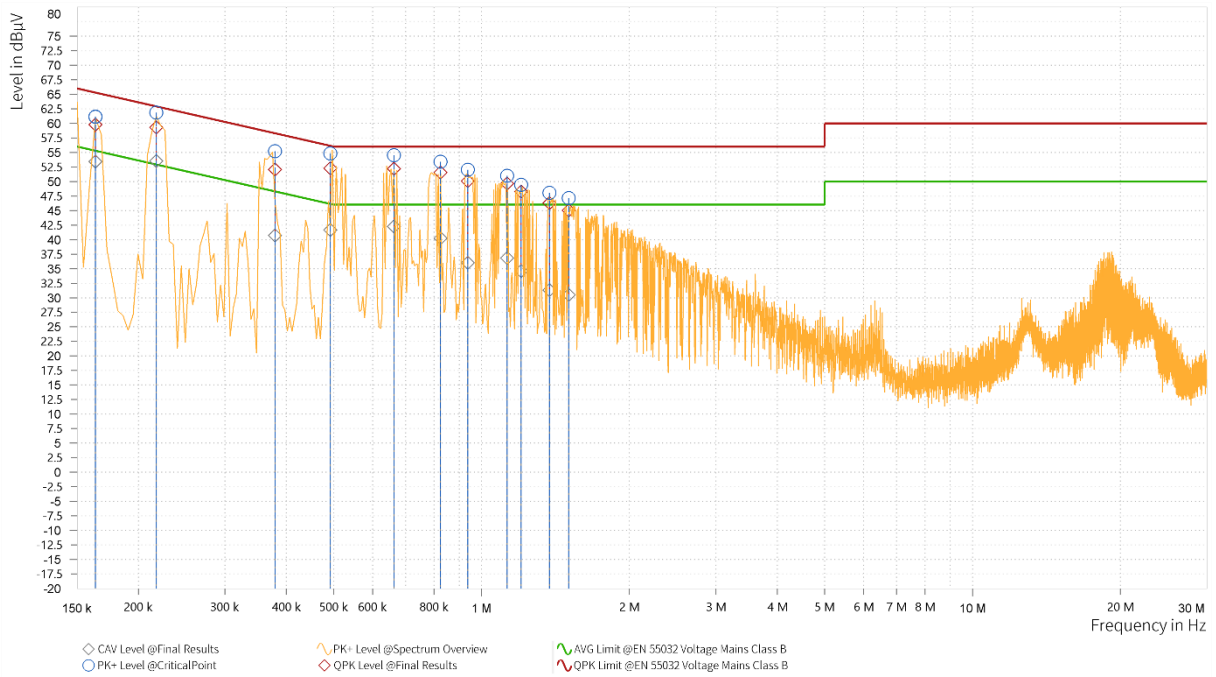


Rg	Frequency [MHz]	QPK Level [dBµV]	QPK Limit [dBµV]	QPK Margin [dB]	CAV Level [dBµV]	CAV: AVG Limit [dBµV]	CAV Margin [dB]	Correction [dB]	Line
1	0.150	61.79	66.00	4.21	35.03	56.00	20.97	9.65	N
1	0.150	61.83	66.00	4.17	35.13	56.00	20.87	9.65	N
1	0.227	58.11	62.58	4.47	52.50	52.58	0.08	9.65	N
1	0.384	53.46	58.19	4.74	46.69	48.19	1.50	9.66	N
1	0.443	46.52	57.01	10.49	41.57	47.01	5.44	9.66	N
1	0.528	51.32	56.00	4.68	41.94	46.00	4.06	9.66	N
1	0.533	52.06	56.00	3.94	43.07	46.00	2.93	9.66	N
1	0.663	53.31	56.00	2.69	43.81	46.00	2.19	9.66	N
1	0.812	50.89	56.00	5.11	36.91	46.00	9.09	9.67	N
1	0.821	50.75	56.00	5.25	38.95	46.00	7.05	9.67	N
1	0.992	50.78	56.00	5.22	42.44	46.00	3.56	9.67	N
1	1.104	49.31	56.00	6.69	38.16	46.00	7.84	9.68	N
1	1.266	47.49	56.00	8.51	35.91	46.00	10.09	9.68	N
1	1.383	46.11	56.00	9.89	33.62	46.00	12.38	9.69	N
1	1.550	44.18	56.00	11.82	28.17	46.00	17.83	9.70	N
1	1.550	44.20	56.00	11.80	28.24	46.00	17.76	9.70	N
1	1.613	42.70	56.00	13.30	26.08	46.00	19.92	9.70	N

Note:1.Result (dBuV) = Correction factor (dB) + Reading(dBuV).

2.Correction factor (dB) = Cable loss (dB) + L.I.S.N. factor (dB).

FG-600_AC PSU(Delta_ Right)



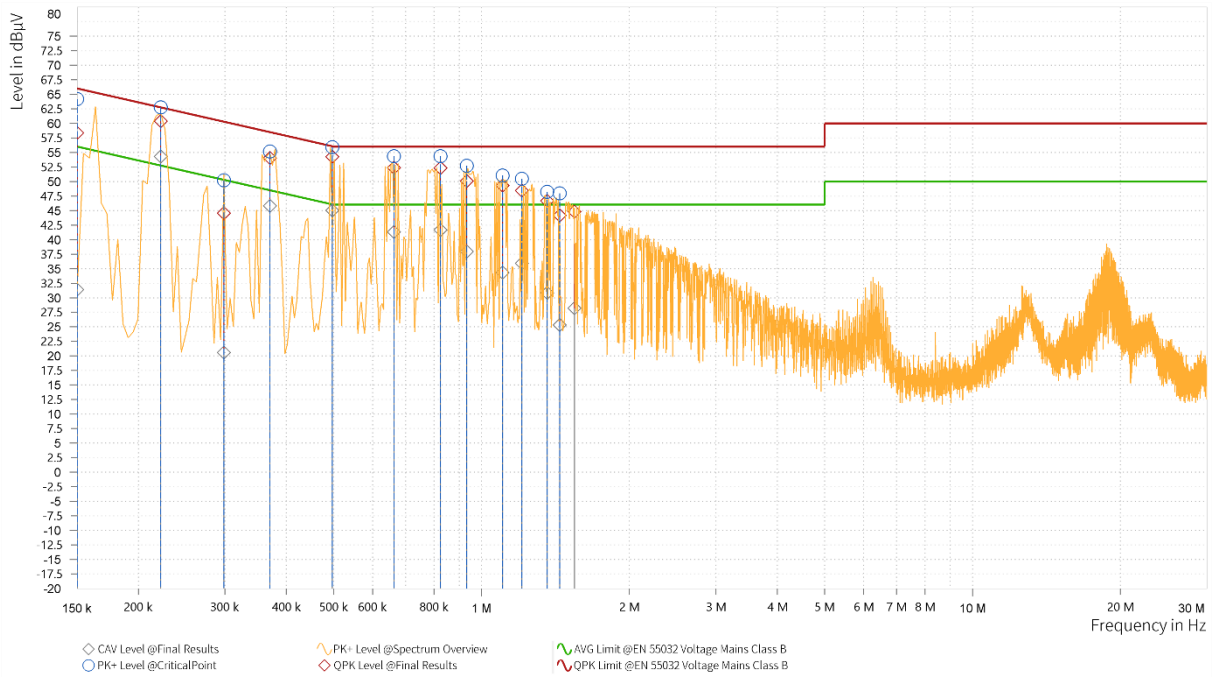
Rg	Frequency [MHz]	QPK Level [dBµV]	QPK Limit [dBµV]	QPK Margin [dB]	CAV Level [dBµV]	CAV: AVG Limit [dBµV]	CAV Margin [dB]	Correction [dB]	Line
1	0.164	59.77	65.28	5.52	53.41	55.28	1.87	9.65	L1
1	0.164	59.77	65.28	5.52	53.42	55.28	1.86	9.65	L1
1	0.218	59.29	62.91	3.62	53.51	52.91	-0.60	9.65	L1
1	0.380	52.04	58.29	6.25	40.70	48.29	7.59	9.66	L1
1	0.492	52.29	56.13	3.85	41.66	46.13	4.48	9.66	L1
1	0.663	52.17	56.00	3.83	42.28	46.00	3.72	9.67	L1
1	0.825	51.54	56.00	4.46	40.25	46.00	5.75	9.67	L1
1	0.938	50.09	56.00	5.91	36.01	46.00	9.99	9.68	L1
1	1.127	49.63	56.00	6.37	36.84	46.00	9.16	9.69	L1
1	1.203	48.27	56.00	7.73	34.57	46.00	11.43	9.69	L1
1	1.374	46.27	56.00	9.73	31.30	46.00	14.70	9.70	L1
1	1.505	45.03	56.00	10.97	30.51	46.00	15.49	9.70	L1

Note:1.Result (dBuV) = Correction factor (dB) + Reading(dBuV).

2.Correction factor (dB) = Cable loss (dB) + L.I.S.N. factor (dB).

3.Via turn off the radio function, this digital device emission is from the non transmitter portion of the EUT and it is an harmonic of the digital circuitry. This emission complies with part 15 Subpart B class A limit.

FG-600_AC PSU(Delta_ Right)



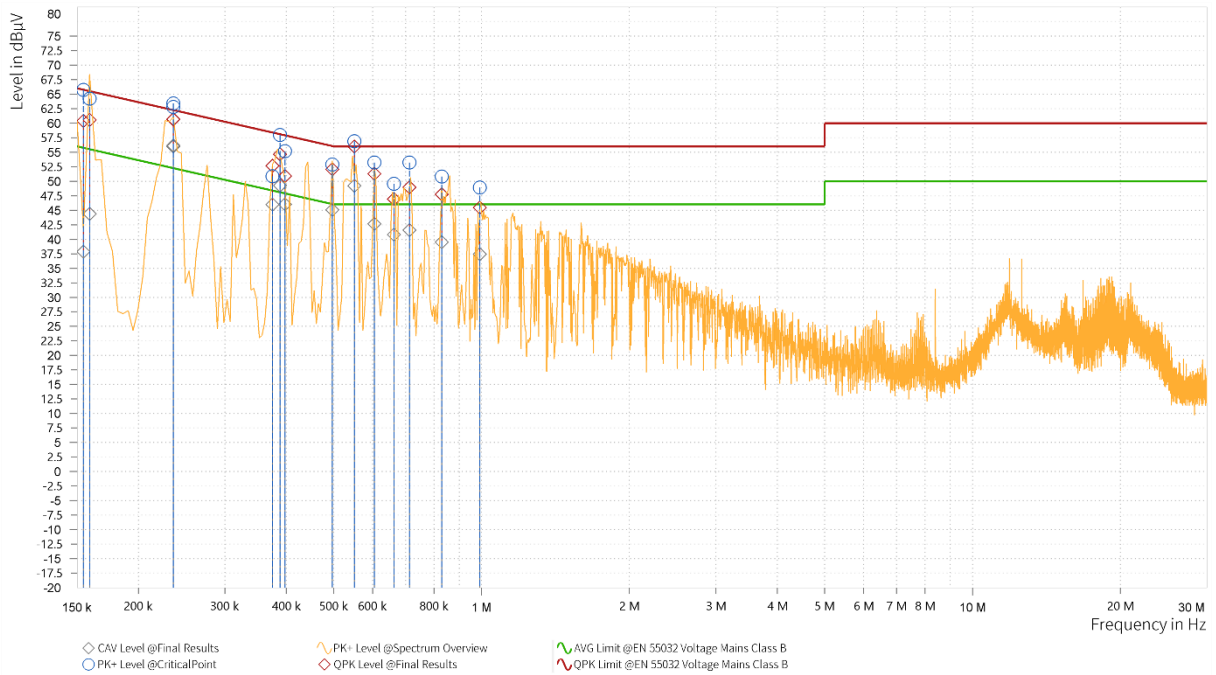
Rg	Frequency [MHz]	QPK Level [dBµV]	QPK Limit [dBµV]	QPK Margin [dB]	CAV Level [dBµV]	CAV: AVG Limit [dBµV]	CAV Margin [dB]	Correction [dB]	Line
1	0.150	58.37	66.00	7.63	31.42	56.00	24.58	9.65	N
1	0.222	60.38	62.74	2.36	54.32	52.74	-1.58	9.65	N
1	0.299	44.55	60.28	15.74	20.60	50.28	29.69	9.65	N
1	0.371	54.04	58.49	4.45	45.81	48.49	2.68	9.66	N
1	0.497	54.25	56.06	1.81	45.02	46.06	1.04	9.66	N
1	0.663	52.34	56.00	3.66	41.32	46.00	4.68	9.66	N
1	0.825	52.34	56.00	3.66	41.66	46.00	4.34	9.67	N
1	0.933	50.08	56.00	5.92	37.98	46.00	8.02	9.67	N
1	1.104	49.29	56.00	6.71	34.34	46.00	11.66	9.68	N
1	1.208	48.45	56.00	7.55	35.95	46.00	10.05	9.68	N
1	1.361	46.66	56.00	9.34	30.85	46.00	15.15	9.69	N
1	1.442	44.18	56.00	11.82	25.34	46.00	20.66	9.69	N
1	1.545	44.79	56.00	11.21	28.23	46.00	17.77	9.70	N

Note:1.Result (dBuV) = Correction factor (dB) + Reading(dBuV).

2.Correction factor (dB) = Cable loss (dB) + L.I.S.N. factor (dB).

3.Via turn off the radio function, this digital device emission is from the non transmitter portion of the EUT and it is an harmonic of the digital circuitry. This emission complies with part 15 Subpart B class A limit.

FG-600F_AC PSU(Delta_Left + Right)



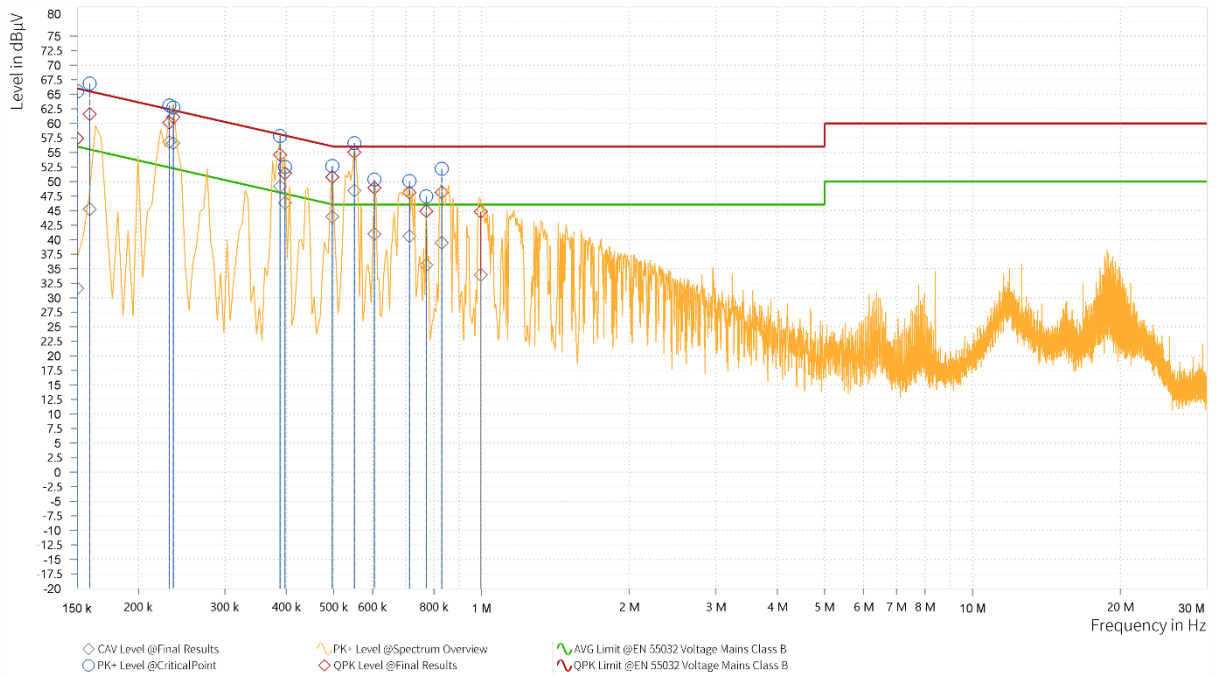
Rg	Frequency [MHz]	QPK Level [dBµV]	QPK Limit [dBµV]	QPK Margin [dB]	CAV Level [dBµV]	CAV: AVG Limit [dBµV]	CAV Margin [dB]	Correction [dB]	Line
1	0.155	60.39	65.75	5.37	37.86	55.75	17.90	9.65	L1
1	0.159	60.55	65.52	4.96	44.37	55.52	11.15	9.65	L1
1	0.236	60.67	62.25	1.58	56.00	52.25	-3.75	9.65	L1
1	0.236	60.65	62.25	1.60	56.15	52.25	-3.90	9.65	L1
1	0.375	52.68	58.39	5.71	45.96	48.39	2.43	9.66	L1
1	0.389	54.63	58.10	3.47	49.25	48.10	-1.16	9.66	L1
1	0.398	50.88	57.91	7.02	46.00	47.91	1.90	9.66	L1
1	0.497	52.06	56.06	4.00	45.06	46.06	1.00	9.66	L1
1	0.551	55.97	56.00	0.03	49.23	46.00	-3.23	9.66	L1
1	0.605	51.29	56.00	4.71	42.64	46.00	3.36	9.67	L1
1	0.663	46.93	56.00	9.07	40.81	46.00	5.19	9.67	L1
1	0.713	48.95	56.00	7.05	41.60	46.00	4.40	9.67	L1
1	0.830	47.73	56.00	8.27	39.52	46.00	6.48	9.67	L1
1	0.992	45.45	56.00	10.55	37.42	46.00	8.58	9.68	L1

Note:1.Result (dBuV) = Correction factor (dB) + Reading(dBuV).

2.Correction factor (dB) = Cable loss (dB) + L.I.S.N. factor (dB).

3.Via turn off the radio function, this digital device emission is from the non transmitter portion of the EUT and it is an harmonic of the digital circuitry. This emission complies with part 15 Subpart B class A limit.

FG-600F_AC PSU(Delta_Left + Right)



Rg	Frequency [MHz]	QPK Level [dBµV]	QPK Limit [dBµV]	QPK Margin [dB]	CAV Level [dBµV]	CAV: AVG Limit [dBµV]	CAV Margin [dB]	Correction [dB]	Line
1	0.150	57.40	66.00	8.60	31.64	56.00	24.36	9.65	N
1	0.159	61.57	65.52	3.95	45.25	55.52	10.27	9.65	N
1	0.231	60.13	62.41	2.28	56.80	52.41	-4.39	9.65	N
1	0.236	61.05	62.25	1.20	56.58	52.25	-4.32	9.65	N
1	0.389	54.62	58.10	3.47	49.18	48.10	-1.08	9.66	N
1	0.398	51.39	57.91	6.51	46.34	47.91	1.56	9.66	N
1	0.497	50.75	56.06	5.31	43.97	46.06	2.09	9.66	N
1	0.551	55.03	56.00	0.97	48.42	46.00	-2.42	9.66	N
1	0.605	48.92	56.00	7.08	40.97	46.00	5.03	9.66	N
1	0.713	48.07	56.00	7.93	40.57	46.00	5.43	9.66	N
1	0.771	44.89	56.00	11.11	35.64	46.00	10.36	9.67	N
1	0.830	48.12	56.00	7.88	39.45	46.00	6.55	9.67	N
1	0.996	44.82	56.00	11.18	33.93	46.00	12.07	9.67	N

Note:1.Result (dBuV) = Correction factor (dB) + Reading(dBuV).

2.Correction factor (dB) = Cable loss (dB) + L.I.S.N. factor (dB).

3.Via turn off the radio function, this digital device emission is from the non transmitter portion of the EUT and it is an harmonic of the digital circuitry. This emission complies with part 15 Subpart B class A limit.